

Model # 5224

Fairfield 5ft Window Box



DESCRIPTION

Brighten up the exterior of your home by adding color and beauty with the Fairfield Window Box. This durable construction offers a low maintenance solution and cleans with just a simple rinse of a garden hose.

- Beautiful New England window box design
- Made from 100% high-grade polyethylene
- Features a double wall design creating a water reservoir
- Includes 5 wall mount brackets with a black powder coated finish
- Warranty: 15-Yr Residential Use/ 5-Yr Commercial Use

PRODUCT DIMENSIONS

Outside Dimensions: 60in L x 11in W x 10.8in H(152.4cm x 27.9cm x 27.4cm)

Inside Dimensions: 56.4in L x 7.4in W x 8in D (143.4cm x 18.9cm x 20.3cm)

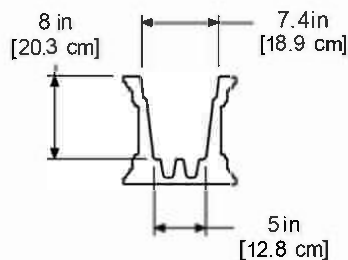
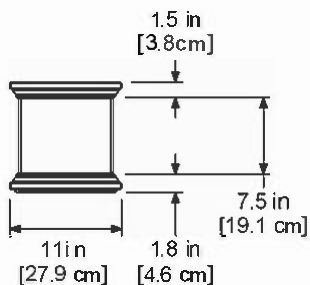
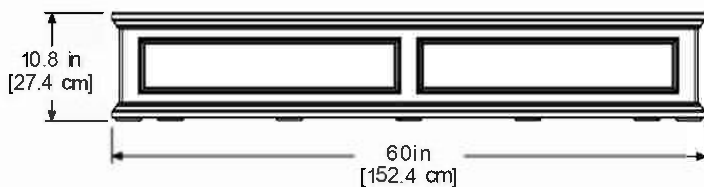
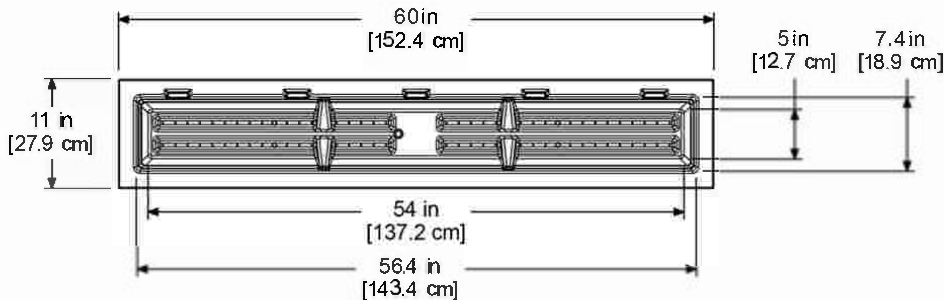
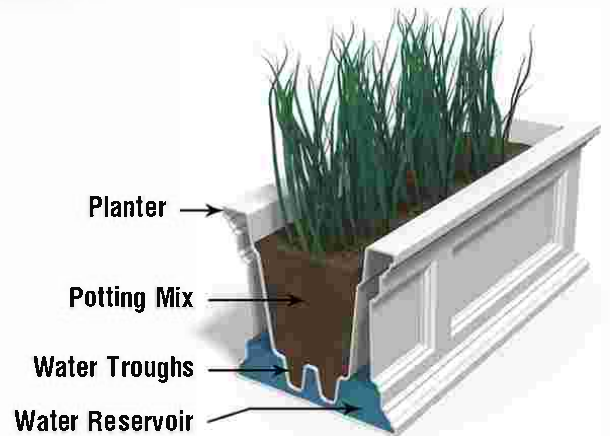
Soil Capacity: 12.5 Gallons (47 Liters)

Water Reservoir Capacity: 4.7 Gallons (17.8 Liters)

Wall Thickness: 0.125in (3.17mm)

Part Weight: 23lbs (10.5kg)

Material: Polyethylene



Outdoor Products®

7024 Hillhouse Rd - Unit A, London, OH 43130

Tel: 614-343-6534 | www.outdoorproducts.com

usasketchservice@outdoorproducts.com