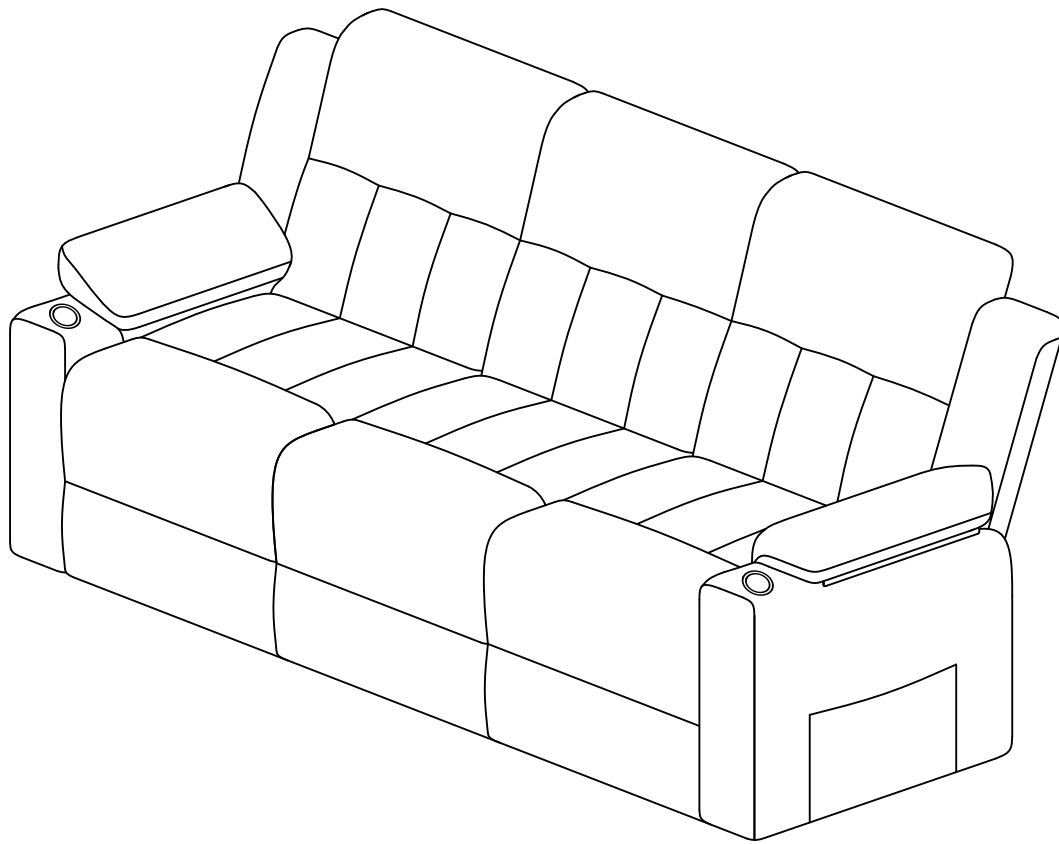


SOFA



▲ NOTE:

The production with FOUR PACKAGES, come with FOUR TRACKINGS, may not be delivered at the same time.

Any question please feel free to contact us:
support@merluxyhome.com
TEL:901-347-2181
We will be of further assistance within 24 hours.

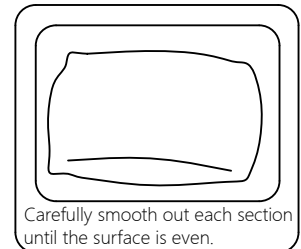
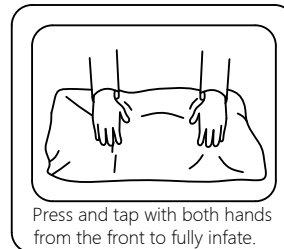
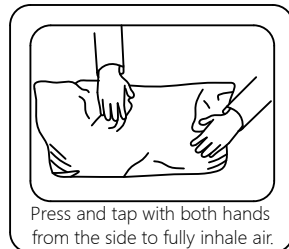
Safety and care advice

Important—Please read these instructions fully before starting assembly

Thanks for your purchase. Before the assembly, please follow the instruction to check if all the spare parts and screws are intact.

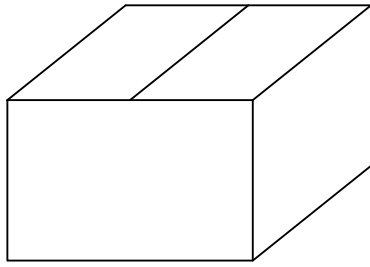
- Considering the size and weight of the sofa, we recommend two adults to assemble the sofa, on a carpeted or padded area, in the room that it is intended for. Approximate assembly time: 30 minutes.
- Please do not throw away any of the packaging or the instruction until you have checked all the components and hardware and the furniture is fully assembled. Please ensure that the packaging is disposed of in a safe and environmentally friendly way.
- Keep all components and packaging out of reach of children or animals to avoid risk of choking or suffocation.
- Please do not take off the cover, and do not wash.

Your cushions come vacuum packed and sealed for shipping. To restore the cushion's original shape, follow the steps below.





After packing up, place them in somewhere dry and ventilated. After about 72-96 hours, it can be restored to the best use condition.

BOX1



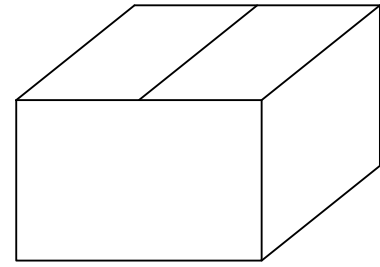
Left position

(A-2)		Handrail(L)	x1
(A-5)		Leaning bag(L)	x1









Right position

(C-2)		Handrail(R)	x1
-------	---	-------------	----

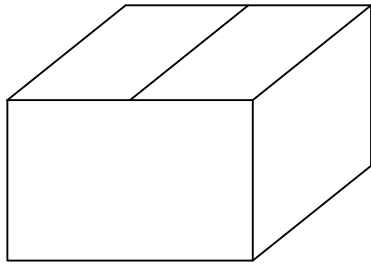
BOX2



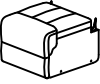
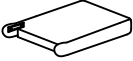

Left position

(A-1)		Functional Seat Frame(L)	x1
(A-4)		Back (L)	x1
(A-3)		Armrest bag(L)	x1
(A-6)		side panel(L)	x1
(a)		Shim	x2
(b)		6*30 Hexagon	x2
(c)		Wrench	x1
(1)		Latch	x1


BOX3



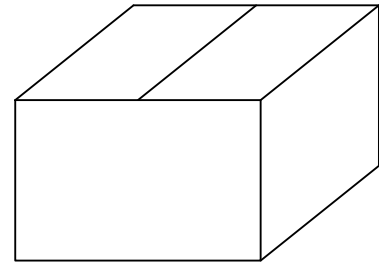
intermediate position

- | | | | |
|-----|---|-----------------------|-----------|
| ⓑ-1 |  | Functional Seat Frame | x1 |
| ⓑ-2 |  | Back | x1 |
| ⓑ-3 |  | Leaning bag | x1 |









Right position

- | | | | |
|-----|---|----------------|-----------|
| ⓒ-5 |  | Leaning bag(R) | x1 |
|-----|---|----------------|-----------|

BOX4

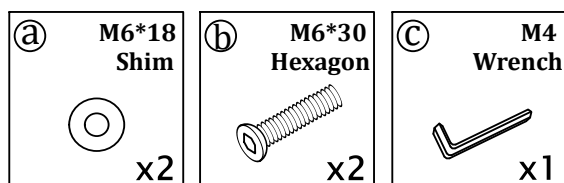


Right position

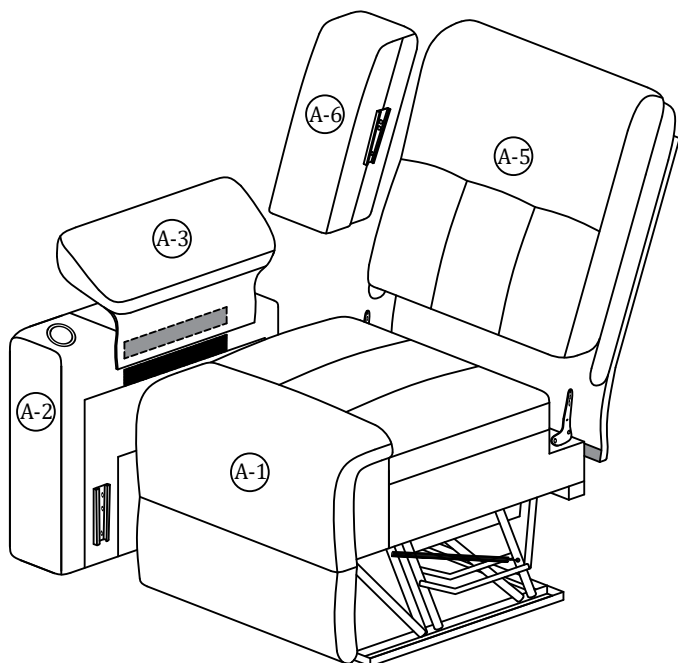
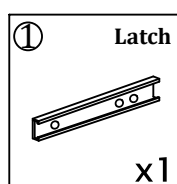
- | | | | |
|-----|---|--------------------------|-----------|
| ⓒ-1 |  | Functional Seat Frame(R) | x1 |
| ⓒ-4 |  | Back (R) | x1 |
| ⓒ-3 |  | Armrest bag(R) | x1 |
| ⓒ-6 |  | side panel(R) | x1 |
| ⓐ |  | Shim | x2 |
| ⓑ |  | 6*30 Hexagon | x2 |
| ⓒ |  | Wrench | x1 |
| ① |  | Latch | x1 |

Assembly Instruction of Sofa

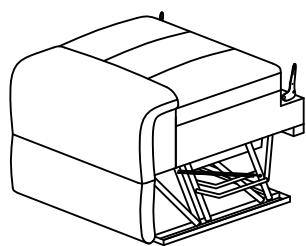
Hardware parts



Structural accessories

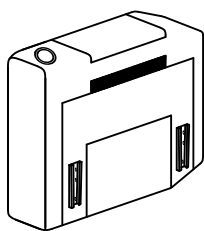


Main structure accessories



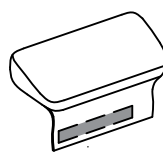
(A-1) 1pc

Functional Seat Frame(L)



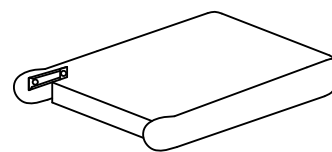
(A-2) 1pc

Handrail(L)



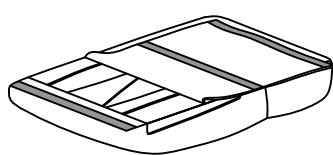
(A-3) 1pc

Armrest bag(L)



(A-4) 1pc

Back (L)



(A-5) 1pc

Leaning bag(L)

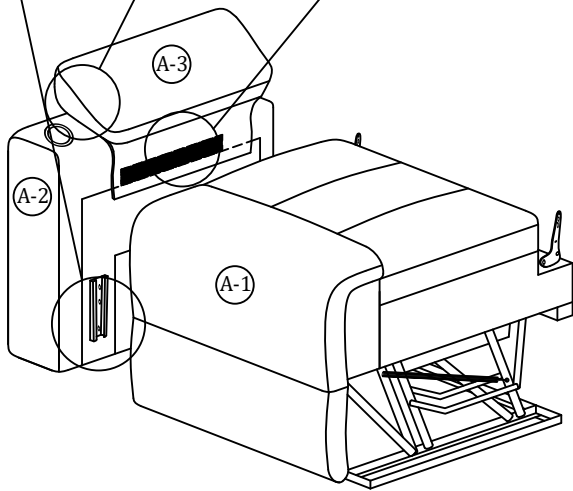
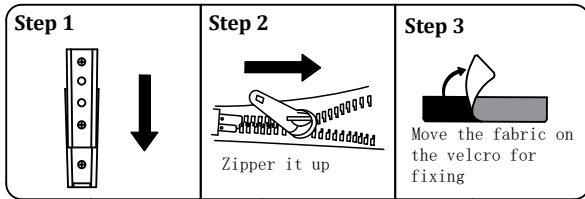


(A-6) 1pc

side panel(L)

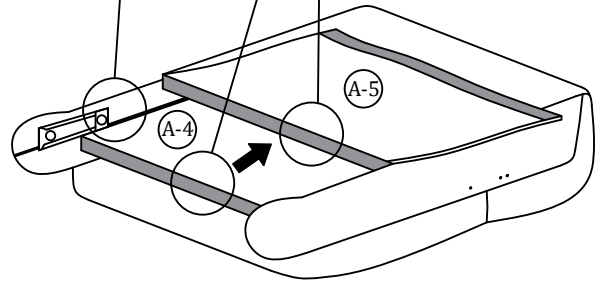
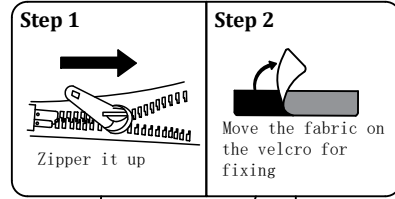
Assembly Instruction of Sofa

Step 1

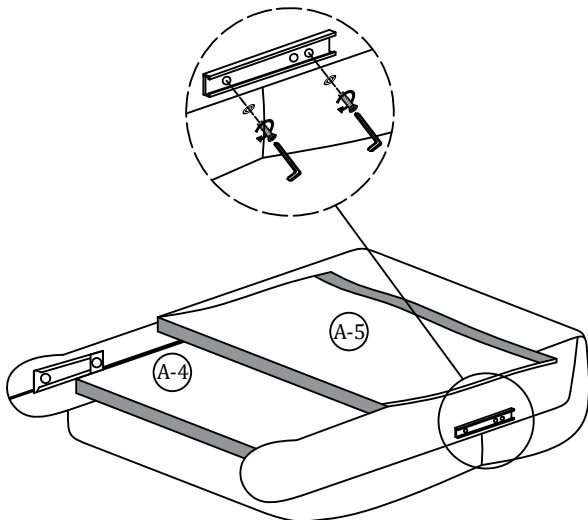


Step 2

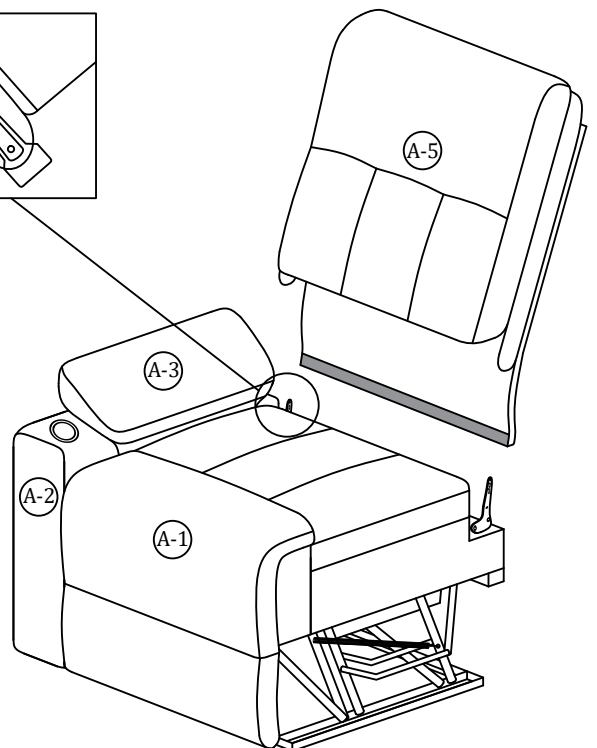
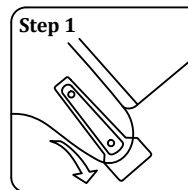
Insert A-4 into A-5 before sticking Velcro



Step 3



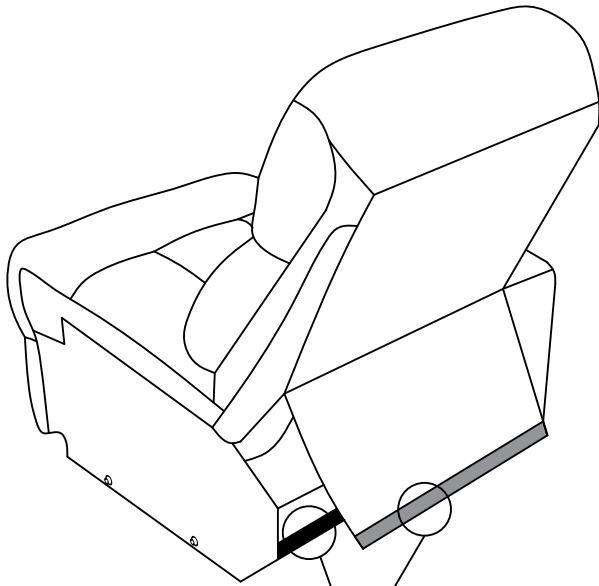
Step 4




Ⓒ		x1	Ⓐ		x2
Ⓑ		x2	①		x1

Assembly Instruction of Sofa

Step 5

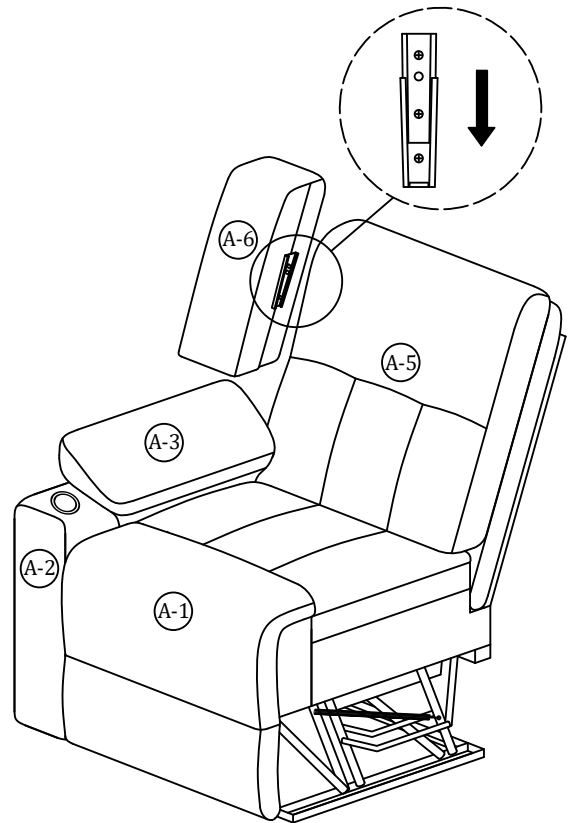


Step 2

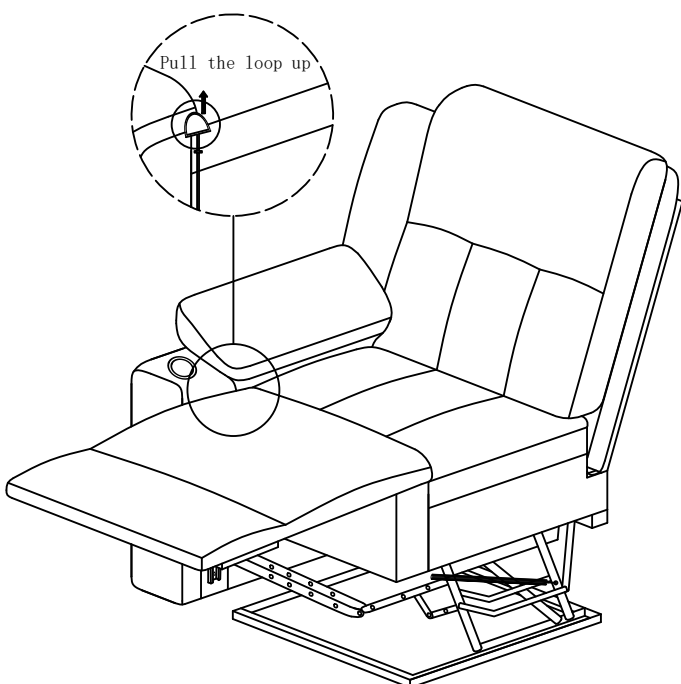


Move the fabric on the velcro for fixing

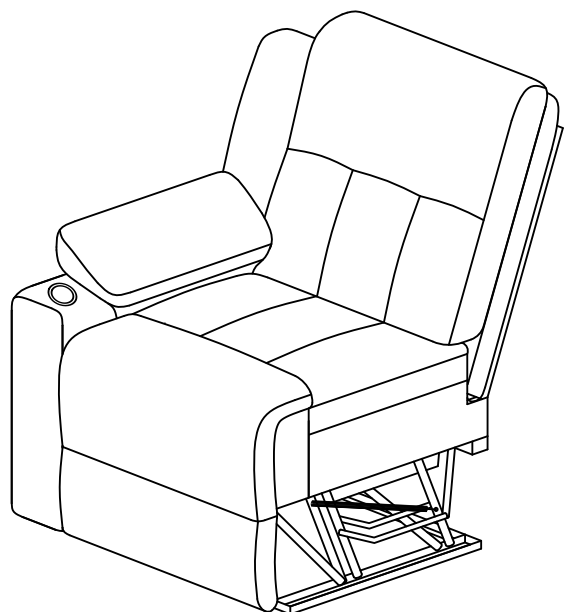
Step 6



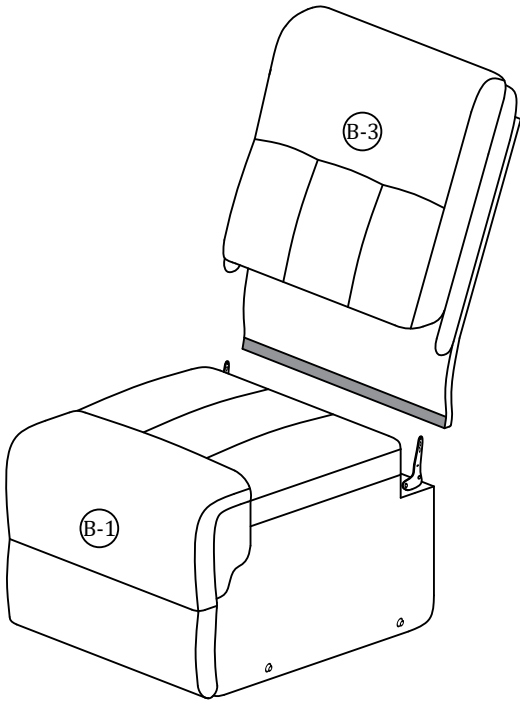
Step 7



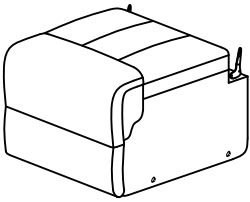
Step 8



Assembly Instruction of Sofa

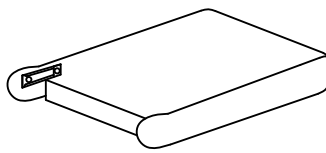


Main structure accessories



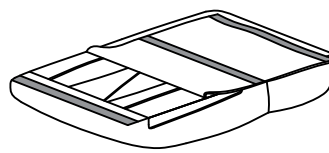
Ⓑ-1 1pc

Functional Seat Frame



Ⓑ-2 1pc

Back



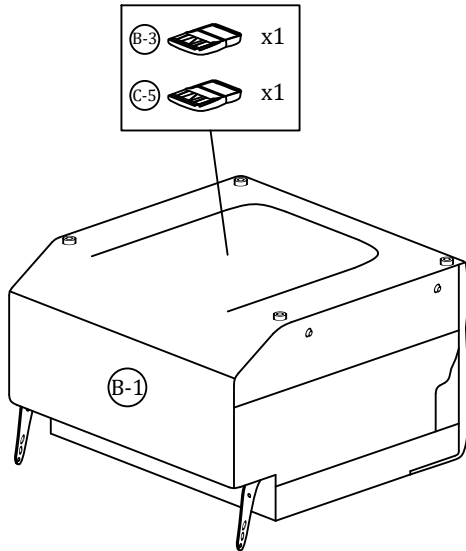
Ⓑ-3 1pc

Leaning bag

Assembly Instruction of Sofa

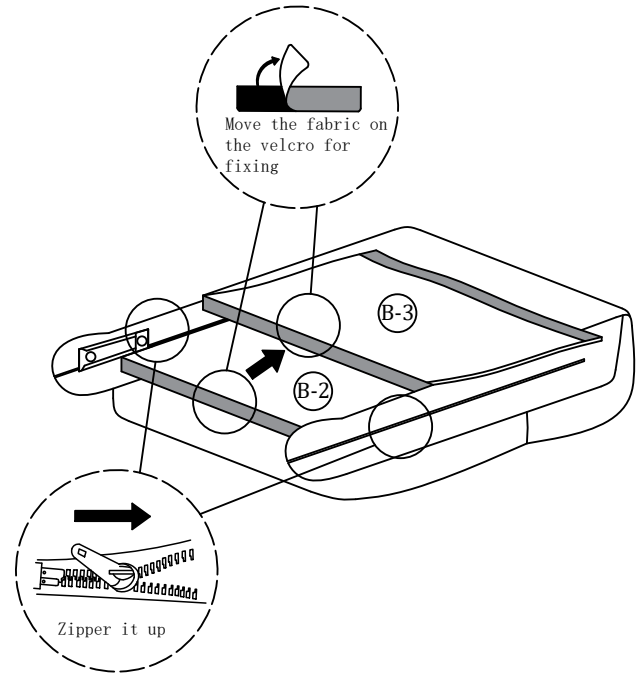
Step 1

Take out of B-3 and C-5 from the bottom of B-1

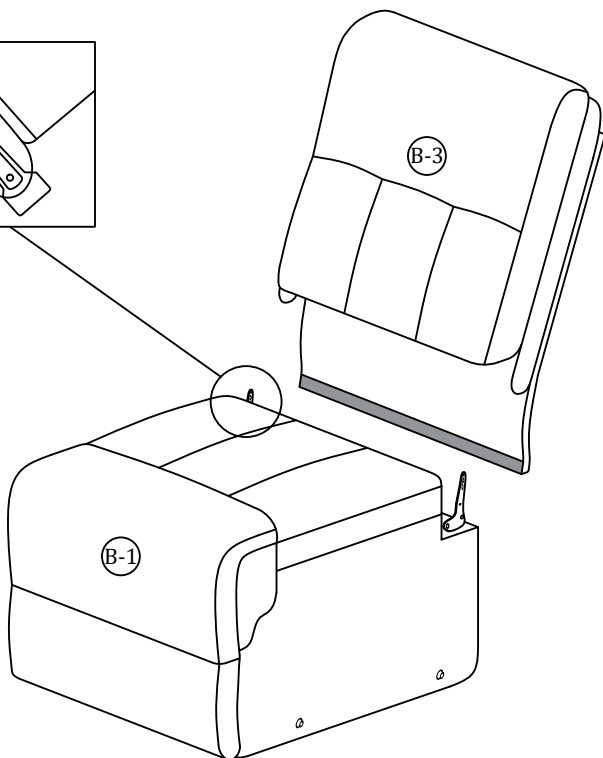
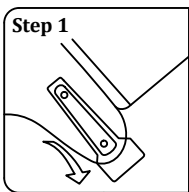


Step 2

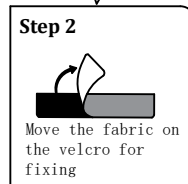
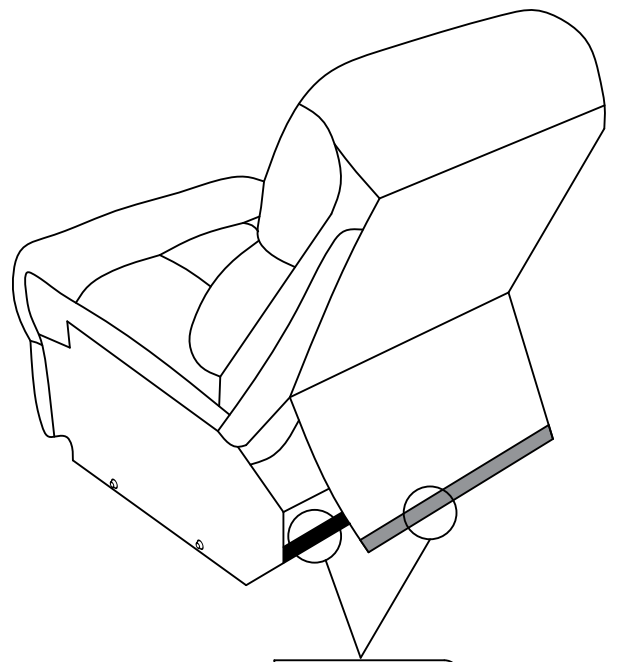
Insert B-2 into B-3 before sticking Velcro



Step 3

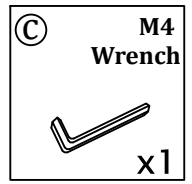
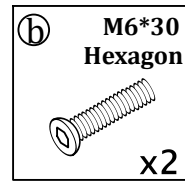
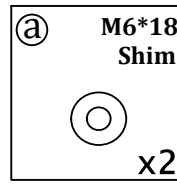


Step 4

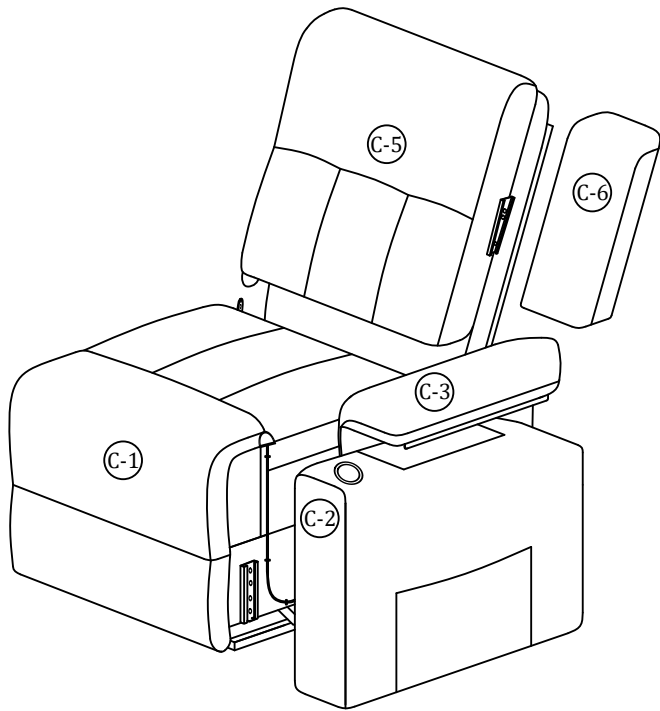
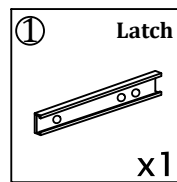


Assembly Instruction of Sofa

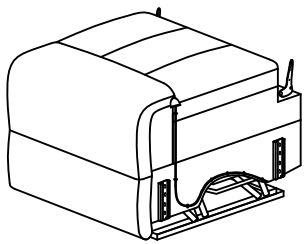
Hardware parts



Structural accessories

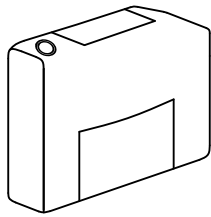


Main structure accessories



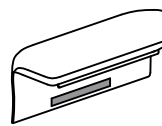
(C-1) 1pc

Functional Seat Frame(R)



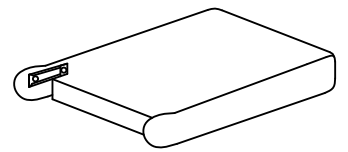
(C-2) 1pc

Handrail(R)



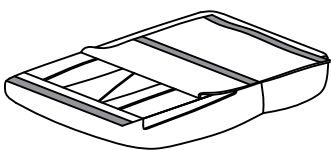
(C-3) 1pc

Armrest bag(R)



(C-4) 1pc

Back (R)



(C-5) 1pc

Leaning bag(R)

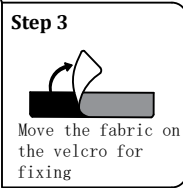
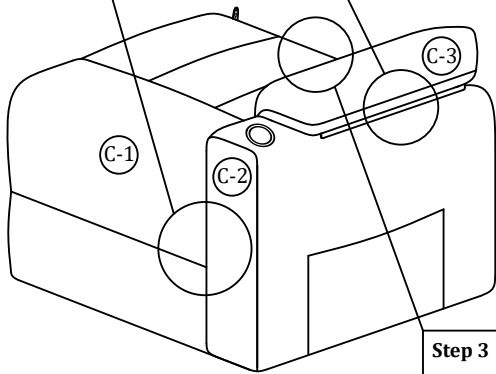
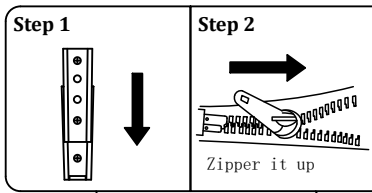


(C-6) 1pc

side panel(R)

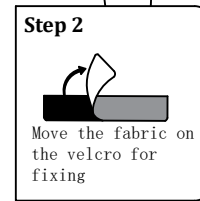
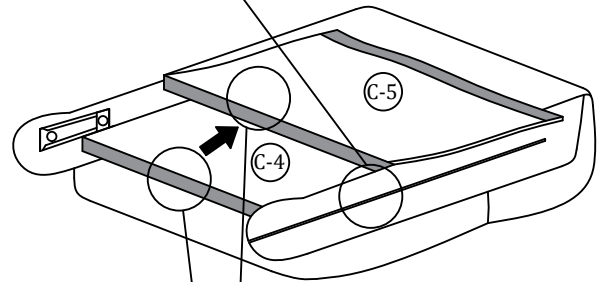
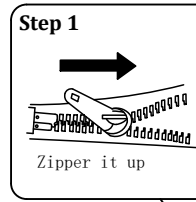
Assembly Instruction of Sofa

Step 1

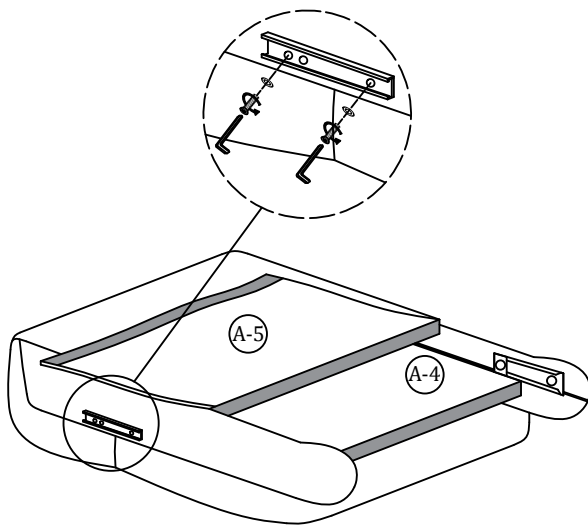


Step 2

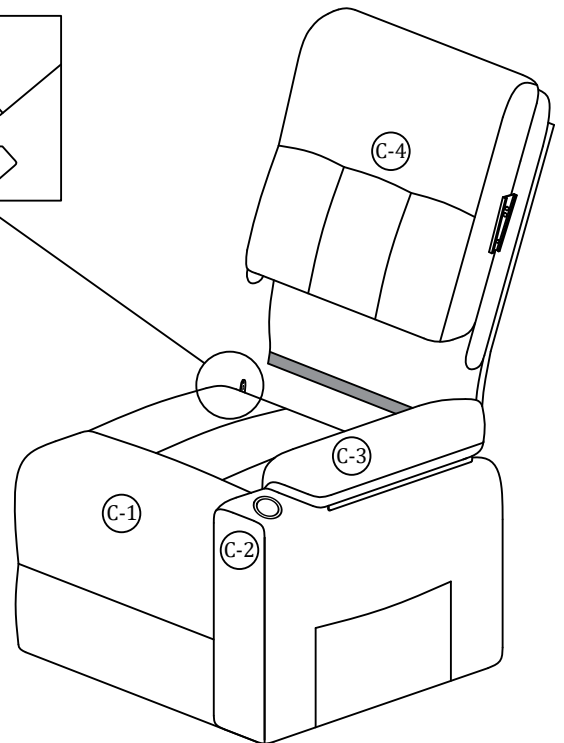
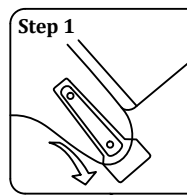
Insert C-4 into C-5 before sticking Velcro



Step 3



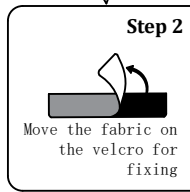
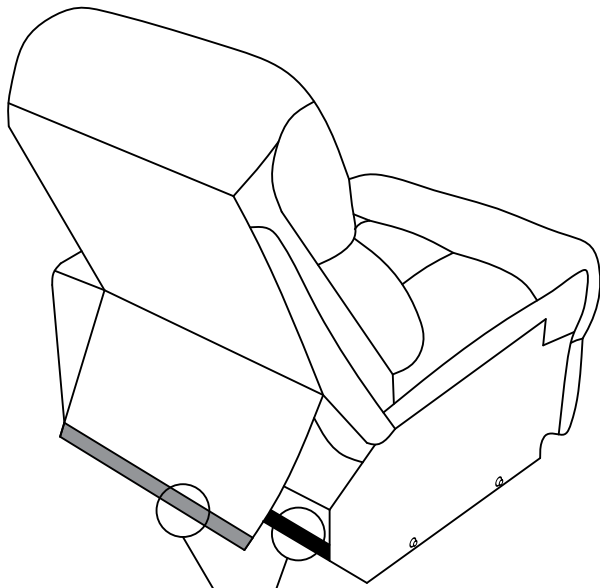
Step 4



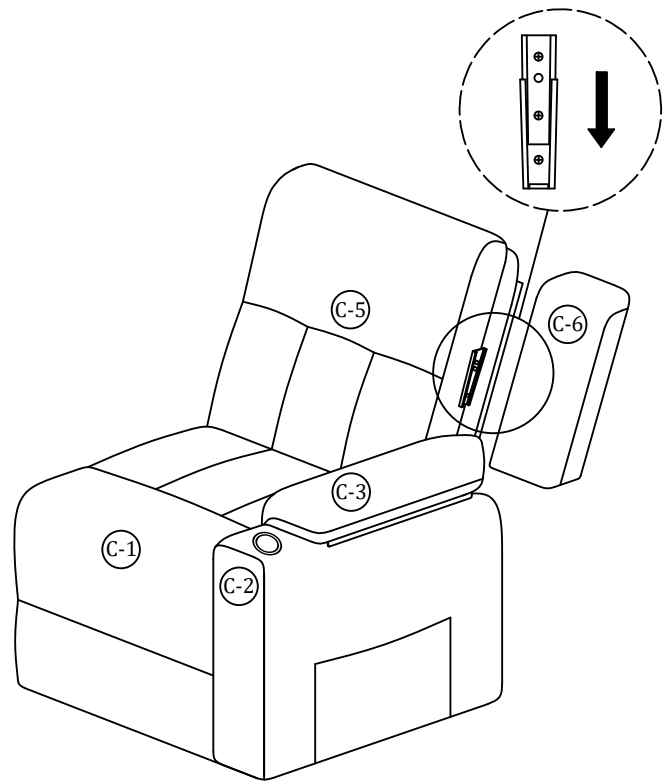
Ⓒ		x1	Ⓐ		x2
Ⓑ		x2	①		x1

Assembly Instruction of Sofa

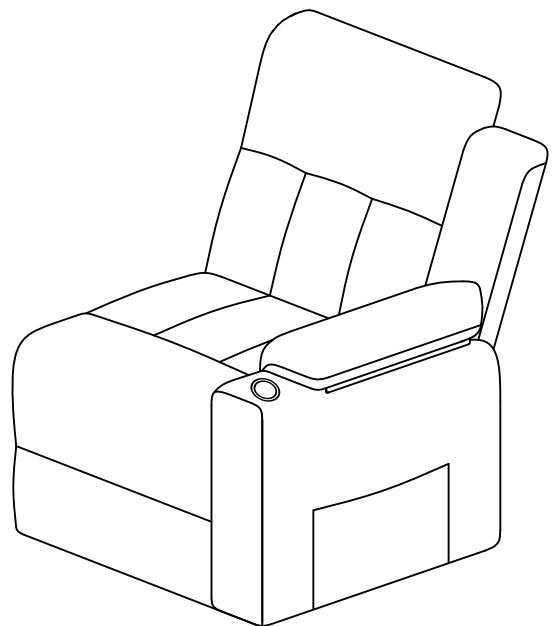
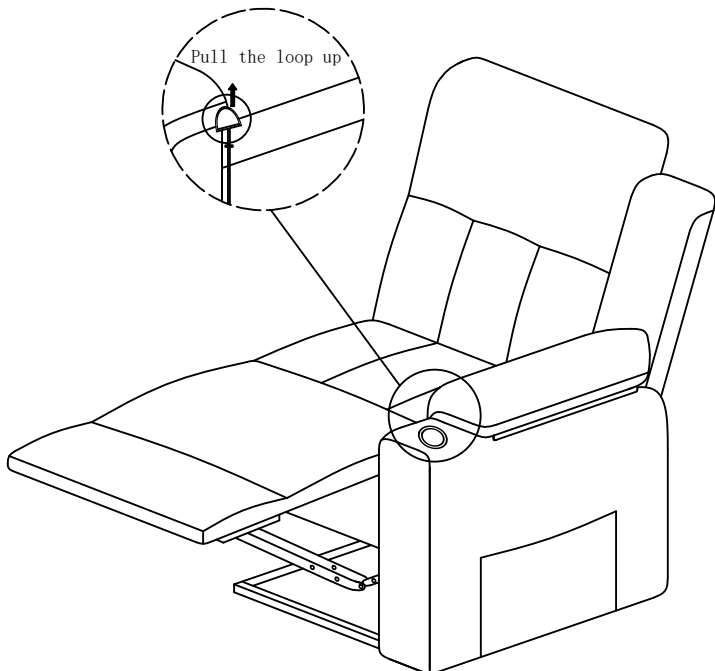
Step 5



Step 6

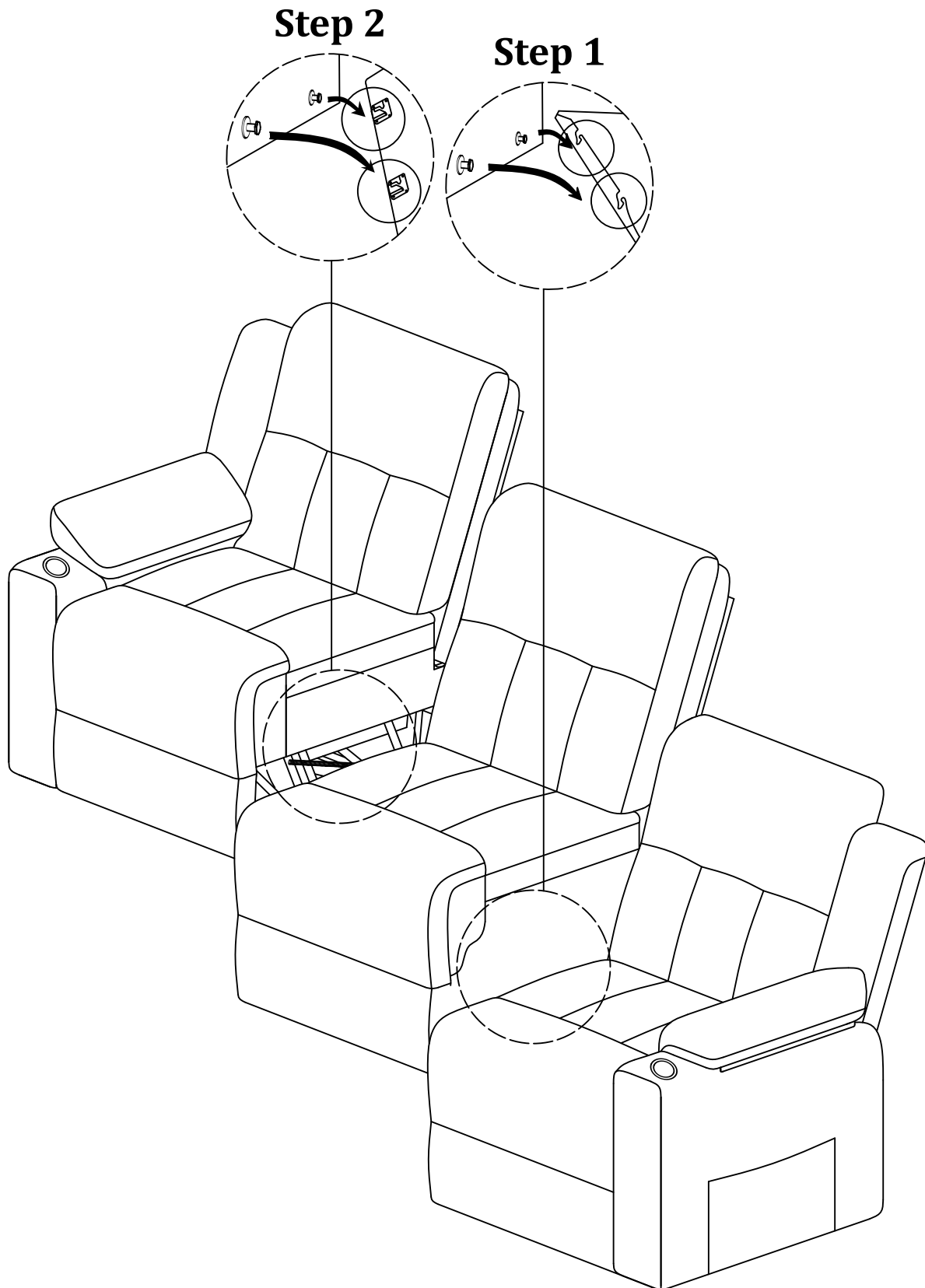


Step 7



Assembly Instruction of Sofa

Assemble from right to left.



Assembly Instruction of Sofa

