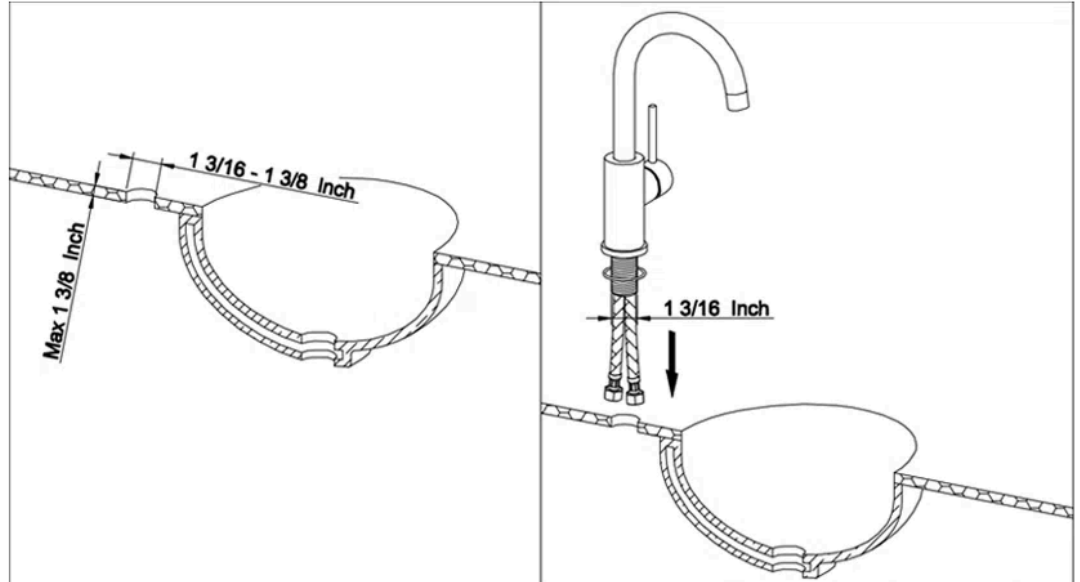
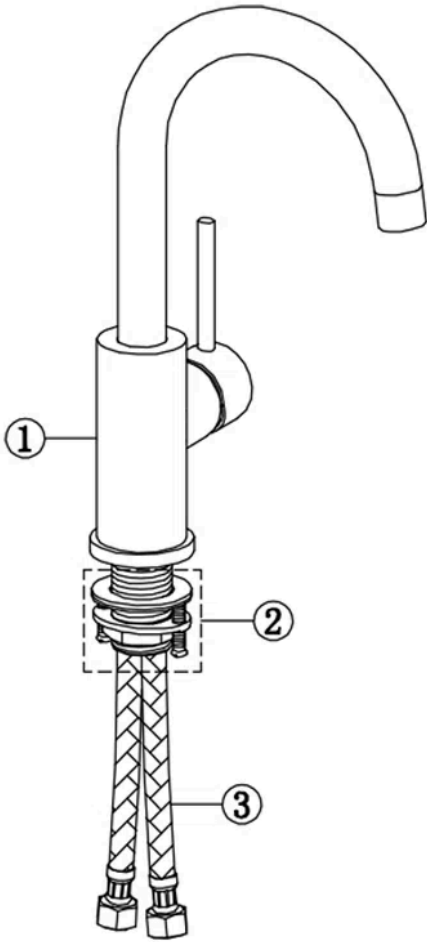
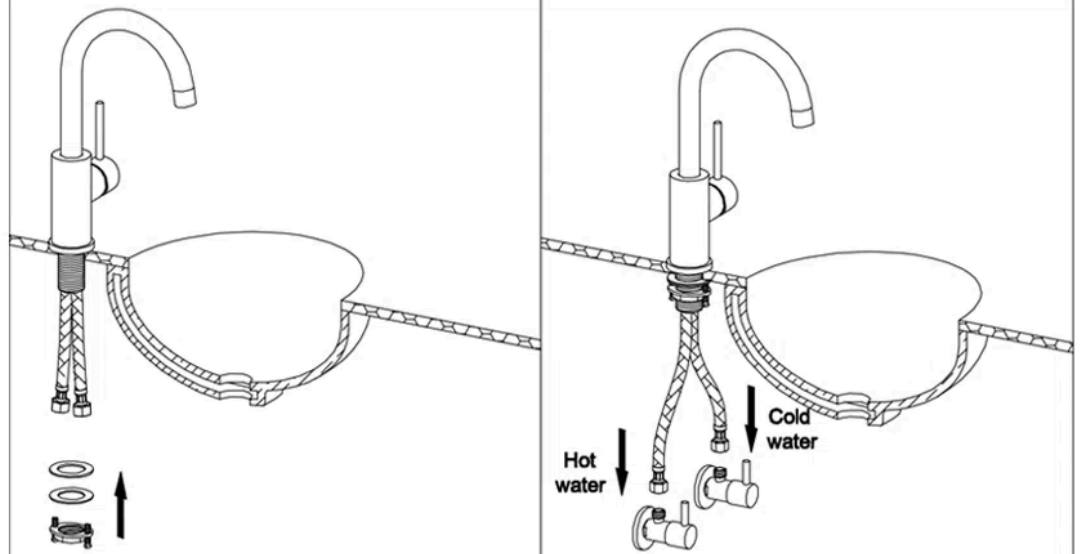


# INSTALLATION INSTRUCTION



1, Check the hole size before install this bathroom faucet.

2, Slide single hole faucet through the sink mounting hole.



3, Place stainless steel washer and rubber washer onto mounting studs under the sink, and tighten the nuts securely as shown. Remember use the driverscrew to tighten the screws which in the nuts both side.

4, Connect and screw the supply hose to the valve and turn on the faucet to check if leaks after install it.

NO.	Part Name
1	Faucet Body
2	Installation Accessories
3	Inlet Pipes