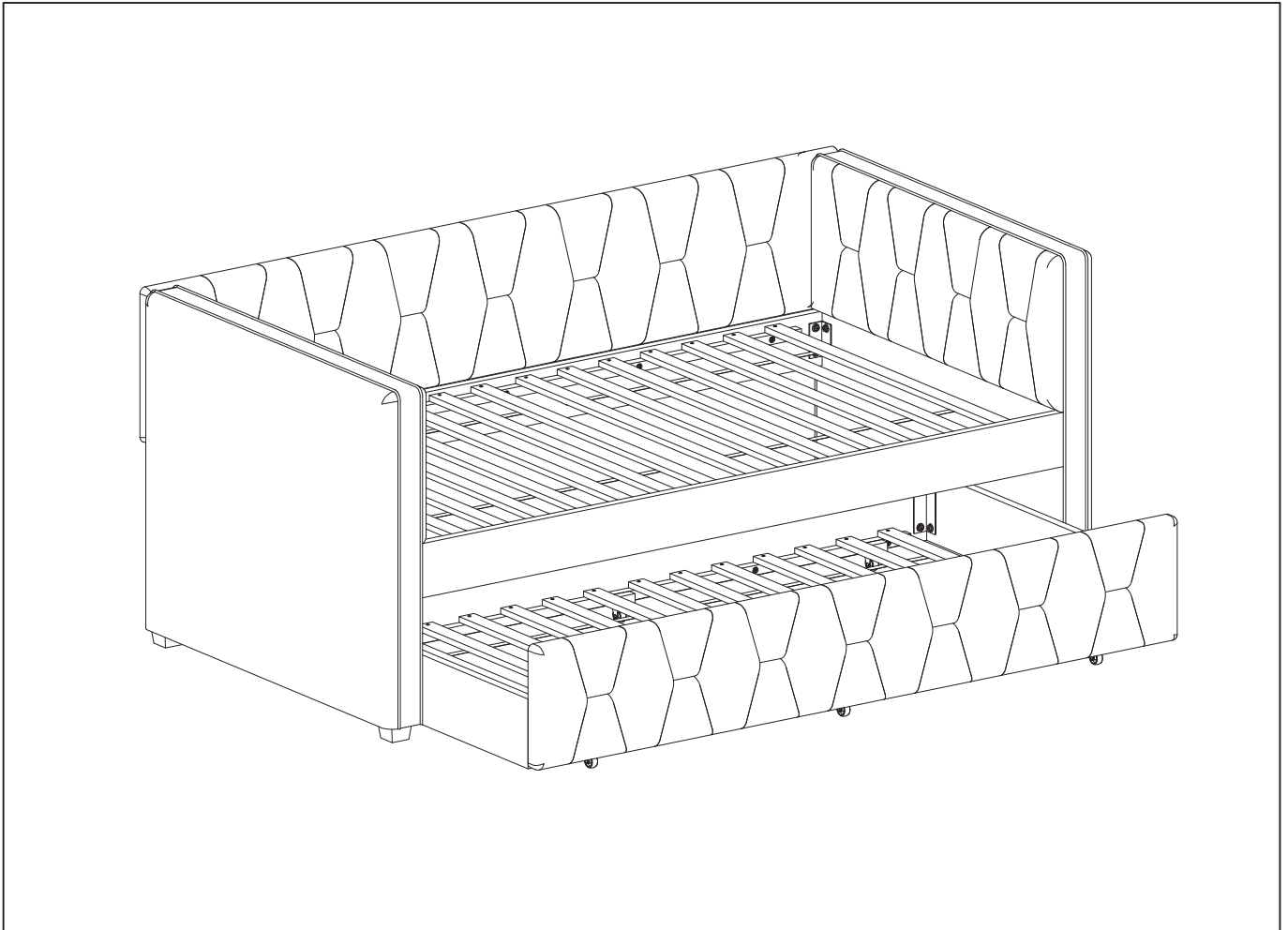


INSTRUCTION MANUAL ENCLOSED

INSTRUCTION MANUAL ENCLOSED

DAYBED

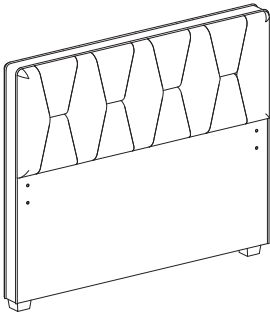
DAYBED ASSEMBLY INSTRUCTION



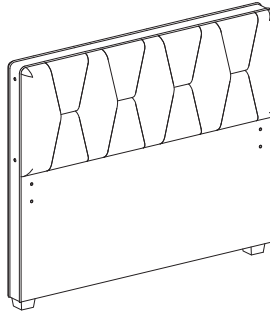
PARTS LIST

Part	Description	Quantity
<i>PARTS</i>		
A	Left Armrest	1
B	Right Armrest	1
C	Backer	1
D	Front Rail	1
E	Back Rail	1
F	Trundle Front Panel	1
G	Trundle Back Panel	1
H	Trundle Side Panel	2
I	Wood Slat	4
J	Small Corner Bracket	4
K	Large Corner Bracket	4
<i>HARDWARE</i>		
L	Bolt(M8x25mm)	32
M	Bolt(M8x60mm)	4
N	Flat Washer(M8xØ22mm)	36
O	Spring Washer(M8)	36
P	Wood Screw(Ø4x30mm)	56
Q	Allen Key	1

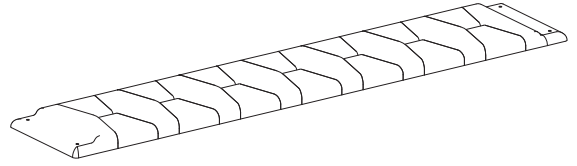
PARTS:



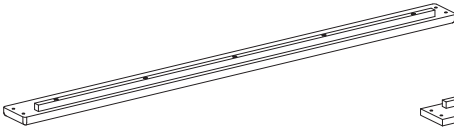
A x 1



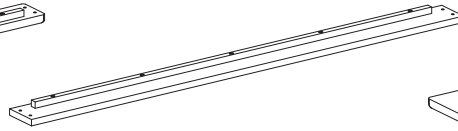
B x 1



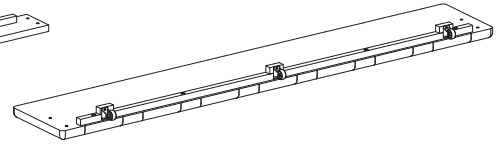
C x 1



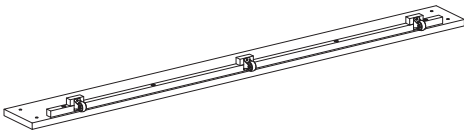
D x 1



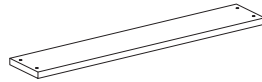
E x 1



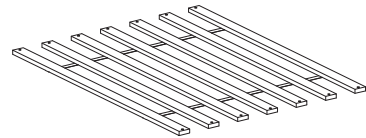
F x 1



G x 1



H x 2



I x 4



J x 4



K x 4

HARDWARE:



M8x25mm
L x 32



M8x60mm
M x 4



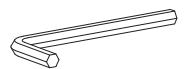
M8xØ22mm
N x 36



M8
O x 36



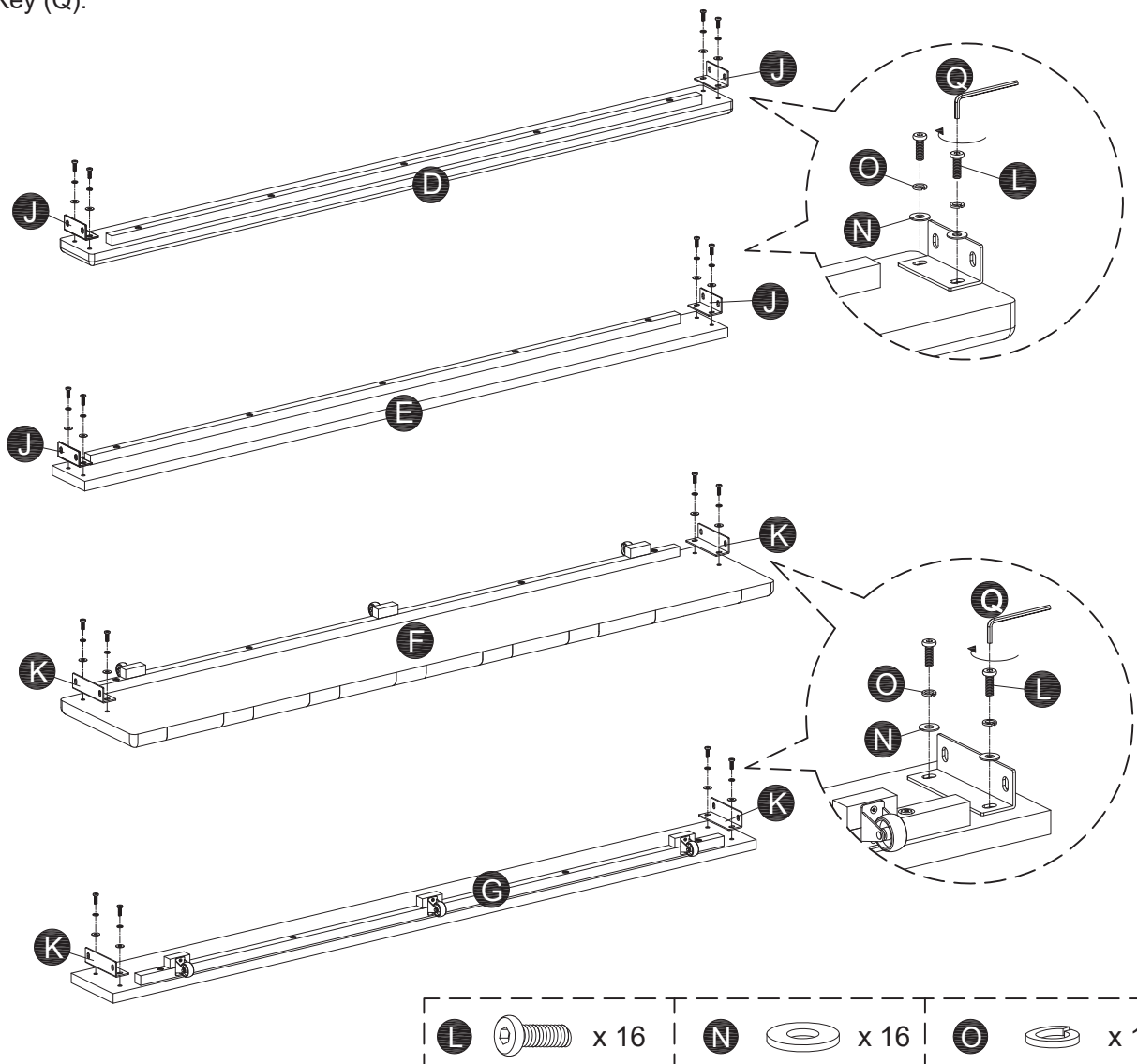
Ø4x30mm
P x 56



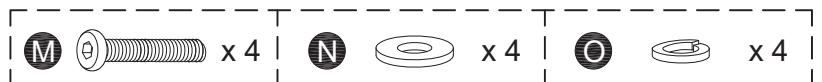
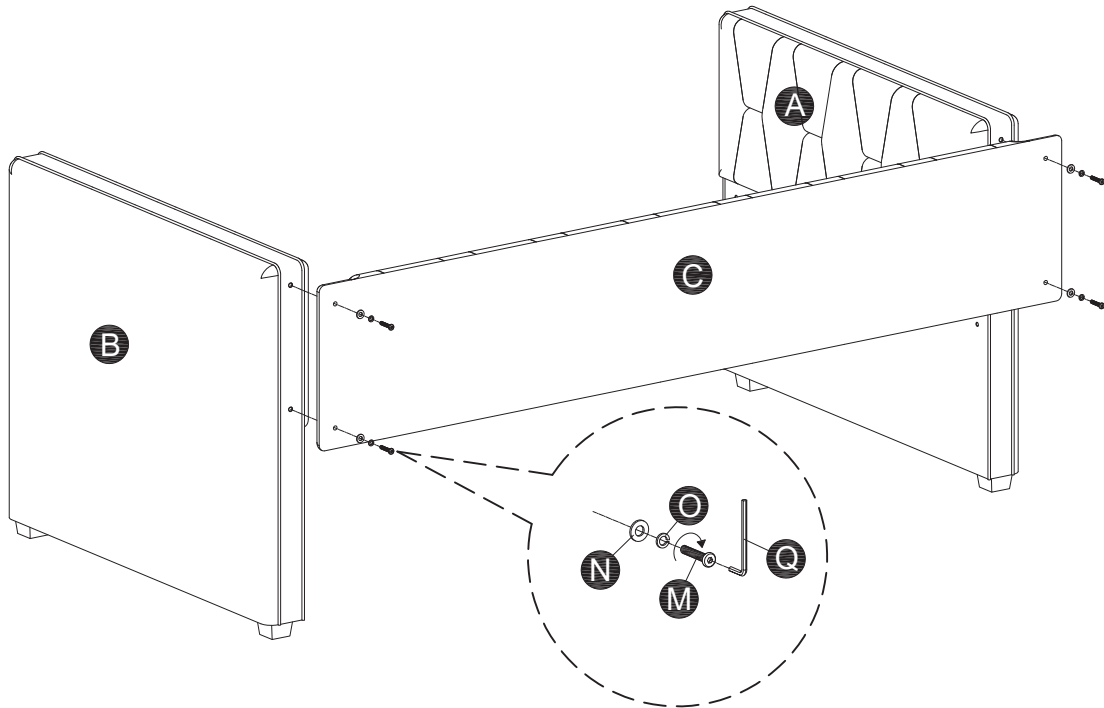
4mm
Q x 1

PLEASE READ AND FOLLOW ALL SAFETY TIPS

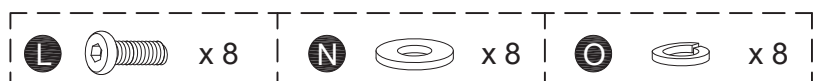
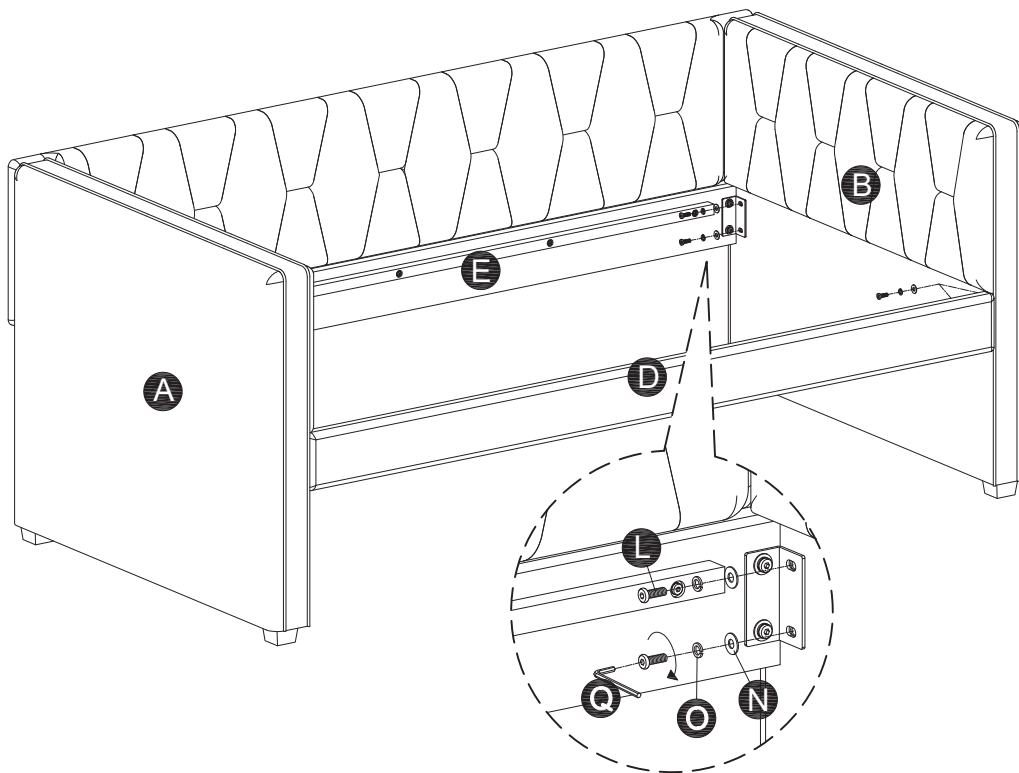
1. Attach Small Corner Bracket (J) to Rail (D&E) use Allen Bolt (L) ,Spring Washer (O) and Flat Washer (N) by Allen Key (Q).
Attach Large Corner Bracket (K) to Trundle Panel (F&G) use Allen Bolt (L) ,Spring Washer (O) and Flat Washer (N) by Allen Key (Q).



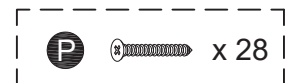
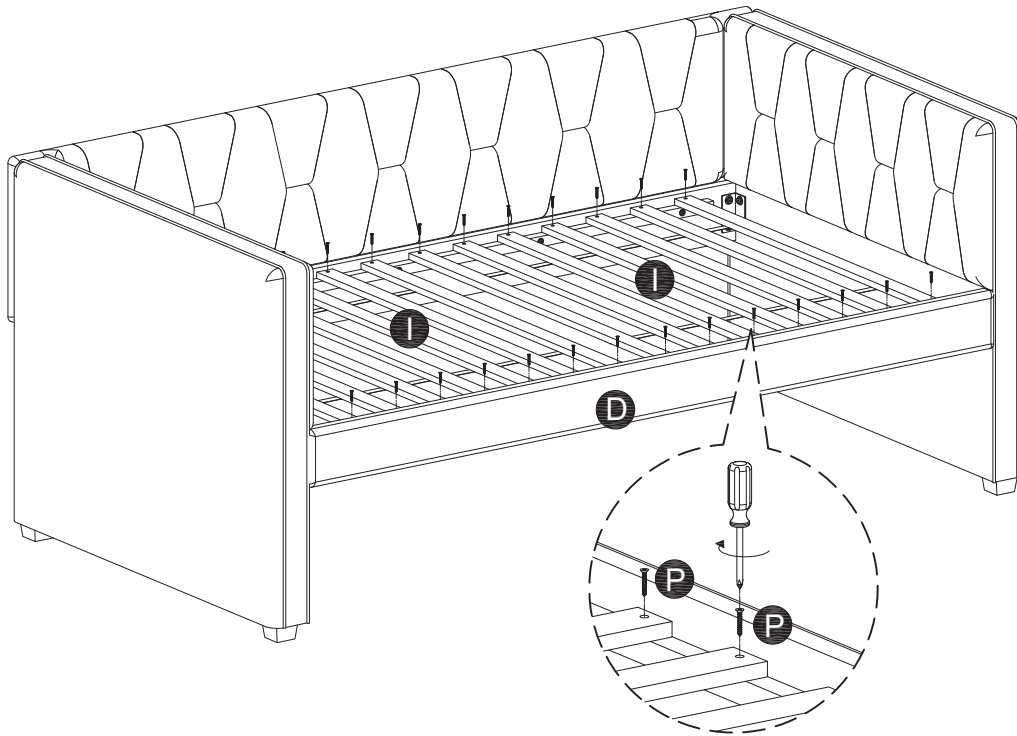
2. Attach Backer (C) to Armrest (A&B) use Allen Bolt (M) ,Spring Washer (O) and Flat Washer (N) by Allen Key (Q).



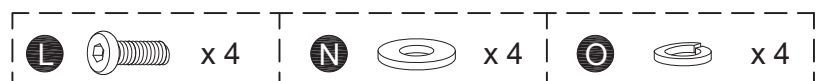
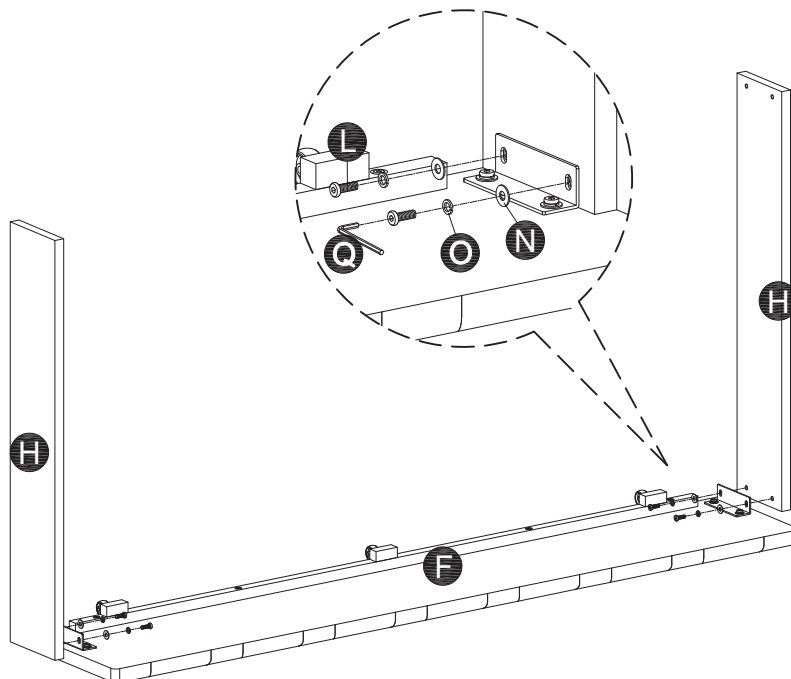
3. Attach Rail (C&E) to Armrest (A&B) use Allen Bolt (L) ,Spring Washer (O) and Flat Washer (N) by Allen Key (Q).



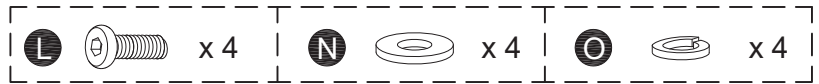
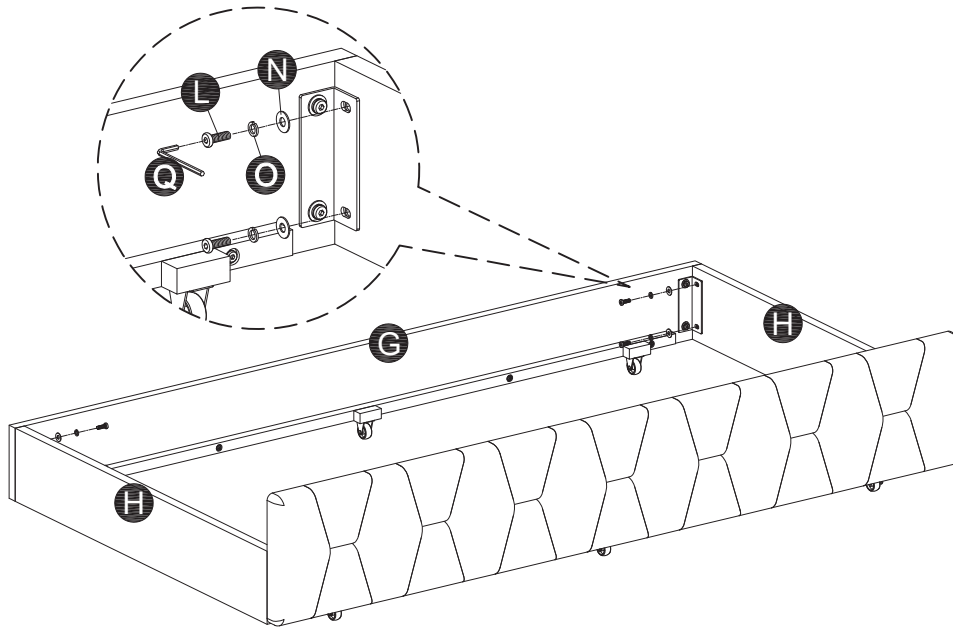
4. Attach Wood Slat (I) to Rail (D&E) use Wood Screw (P) .



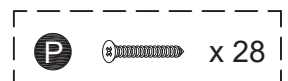
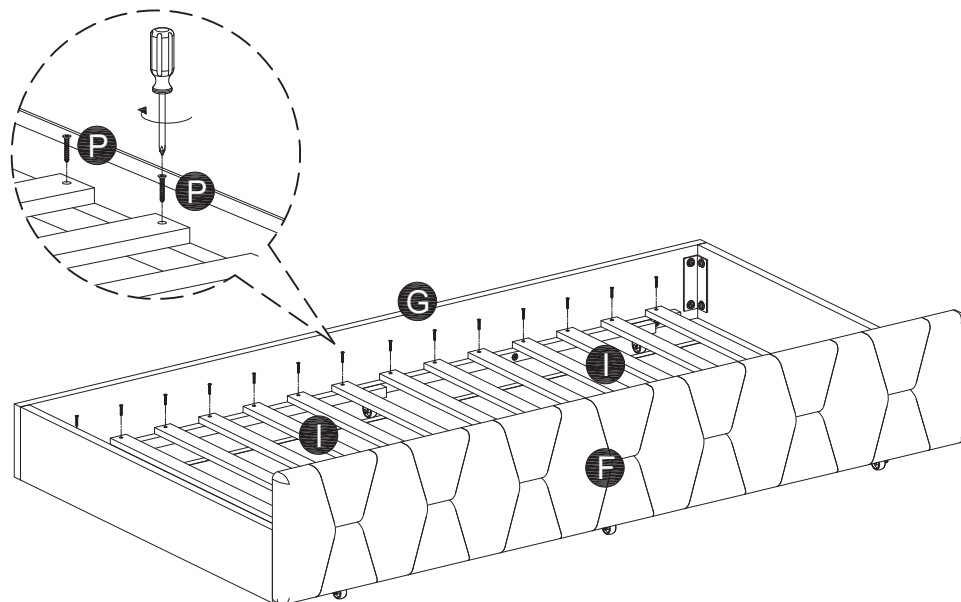
5. Attach Trundle Side Panel (H) to Trundle Front Panel (F) use Allen Bolt (L), Spring Washer (O) and Flat Washer (N) by Allen Key (Q).



6. Attach Trundle Back Panel (G) to Trundle Side Panel (H) use Allen Bolt (L), Spring Washer (O) and Flat Washer (N) by Allen Key (Q).



7. Attach Wood Slat (I) to Trundle Panel (F&G) use Wood Screw (P) .



8. Now your new Daybed is ready to use!

