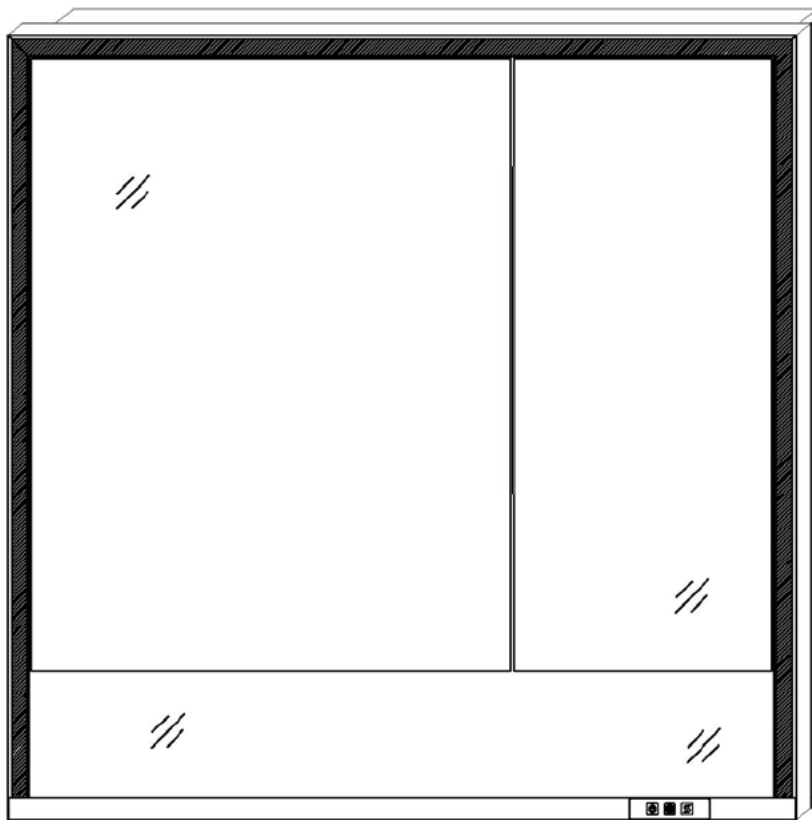
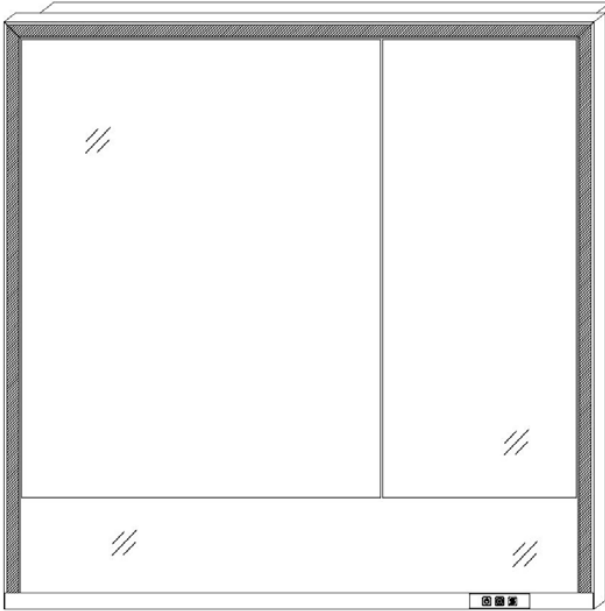


Installation and Operating Manual

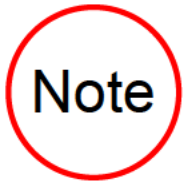


Model Specification



- Aluminum Frame
- Integrated LED
- Double Side Mirror
- Adjustable Shelves
- Quiet Hinge
- Recessed or Surface mounting
- Color Temperature:3000-6000K
- Dimming
- Anti Fog
- Built-in 2 sockets and USB
- External night light
- Front and Backlit

No.	Dimension	Color	Door Type	Remark
1	24"×36"	Silver	Single door Left or Right	
2	30"×36"	Silver	Double Door	
3	36"×36"	Silver	Double Door	
4	42"×36"	Silver	Double Door	
5	48"×36"	Silver	Triple Door	



For easy and safe installation, please refer to the following:

Read all instructions thoroughly before installing the enclosed product. Read and take note of all **Safety Precautions**, care and maintenance information.

PLEASE KEEP THIS INSTRUCTION MANUAL FOR FUTURE REFERENCE DURING PRODUCT OPERATION AND MAINTENANCE.



WARNING AND SAFETY INSTRUCTIONS

Before installing your LED Medicine Cabinet, please make sure that you carefully read through this instruction sheet, refer back to them during installation to ensure your product is fitted safely and correctly. Keep the instruction for future use.

WARNING Risk of Fire and Electric Shock

- All fittings must be installed in accordance with current IEE wiring regulations. If in doubt, please consult a qualified electrician.
- Turn breaker off the electrical supply at the main circuit board before installation and maintenance.
- Suitable for indoor use only. This product should be positioned well away from curtains and fabrics. Never cover the mirror.
- Regularly check any parts for damage, if any part is damaged the product should not be used.

INSTALLATION SAFETY

- Inspect the product immediately upon receipt for any possible damage during transportation or missing parts. Handle the product with care and protect against knocks to all sides and edges of the glass.
- Ensure there are no hidden pipes or cables in the wall before drilling and sawing.
- Wear suitable safety glasses when drilling. Take care if drilling on tiled surfaces in case the drill slips.

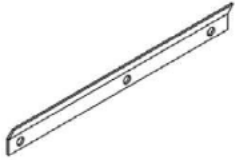
CAUTION

The light source of this product is non-changeable light diodes (LED). **Do not disassemble the product**, as the light diodes can cause damage to the eyes.

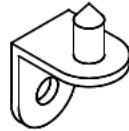
NOTE: The important safeguards and instructions that appear in this manual are not meant to cover all possible conditions and situations that may occur. It must be understood that common sense, caution and care are factors that can't be built into any product. These factors must be supplied by the person(s) caring for and operating the fixture. Do not install this fixture in hazardous locations.

PARTS SUPPLIED

Z- Mounting Bar
×1



Z-Supporting Hook
×1



Hinge Covers
×2~6



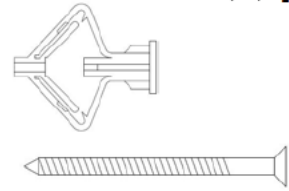
Shelves Spare Support
×4~8



Wire Cap
×3



Anchors A
×1



Anchor B Screws
×5~10



Anchors B
×5~10



Shelves
×3~6

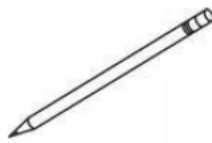


TOOLS REQUIRED

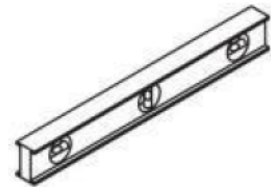
Drill



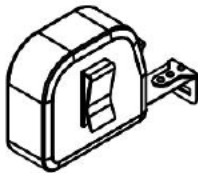
Pencil



Level



Tape



Gloves



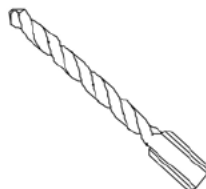
Safety Glasses



**Phillip
Screw Driver**



**Drill Bit
8mm(5/16")**



Hammer



Installation Instruction



The medicine cabinet supports two installation methods:
1.Surface Installation and **2.Embedded Installation**.

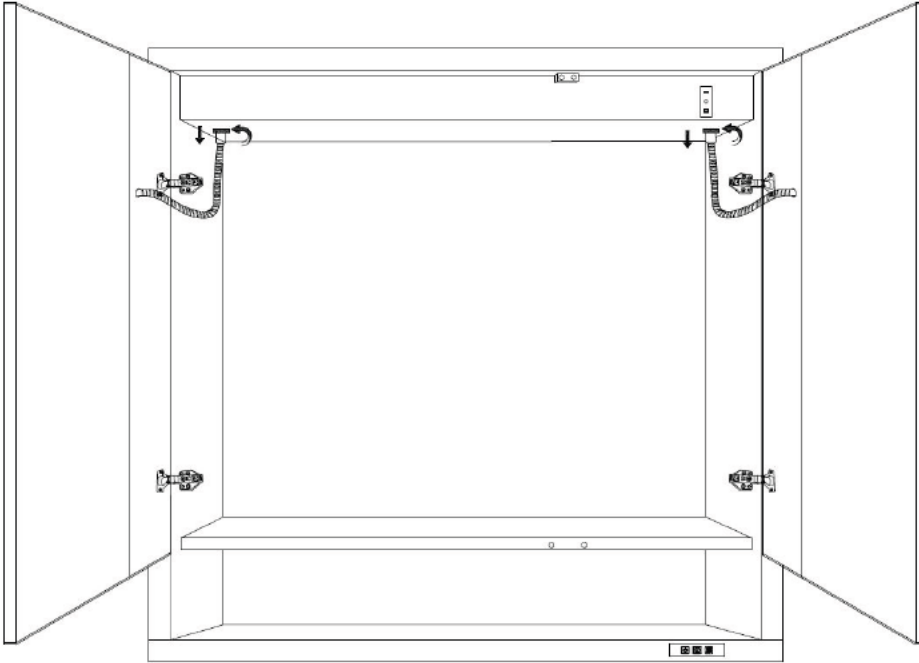
Please choose the installation way as needed.



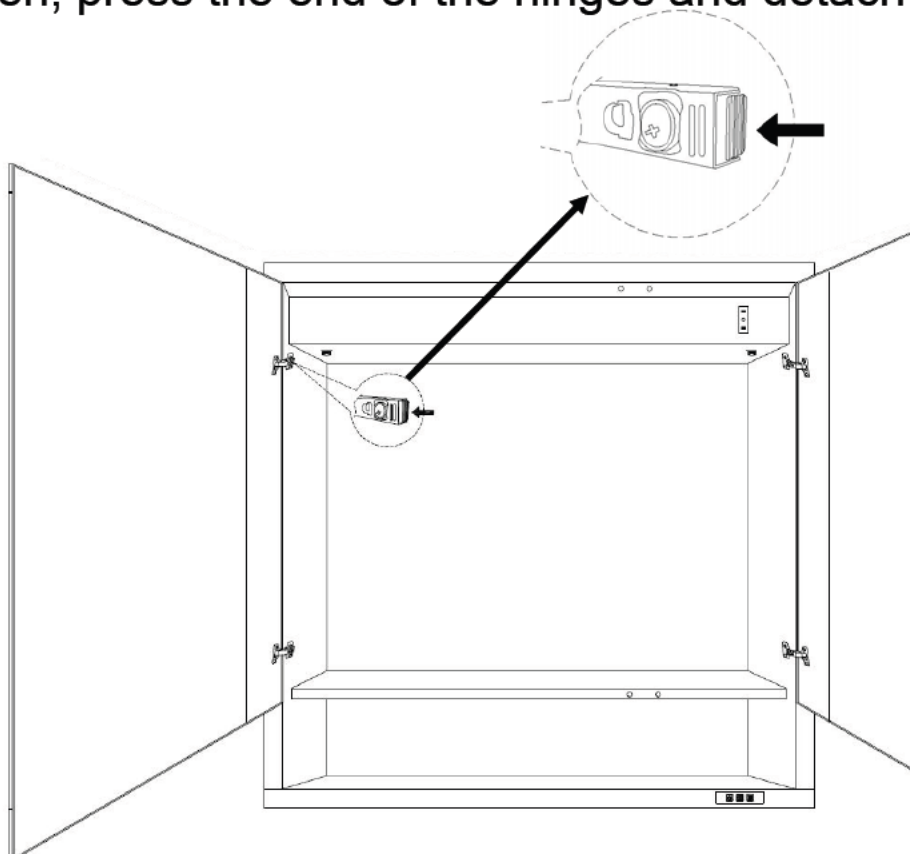
Some cabinet doors will be separated from the cabinet to reduce packaging volume. Please install the cabinet door after completing the cabinet installation according to the instruction.

Before installing the medicine cabinet, please remove the cabinet doors first. This will make the installation easier and more convenient.

1. First, disconnect the wires from the cabinet doors.

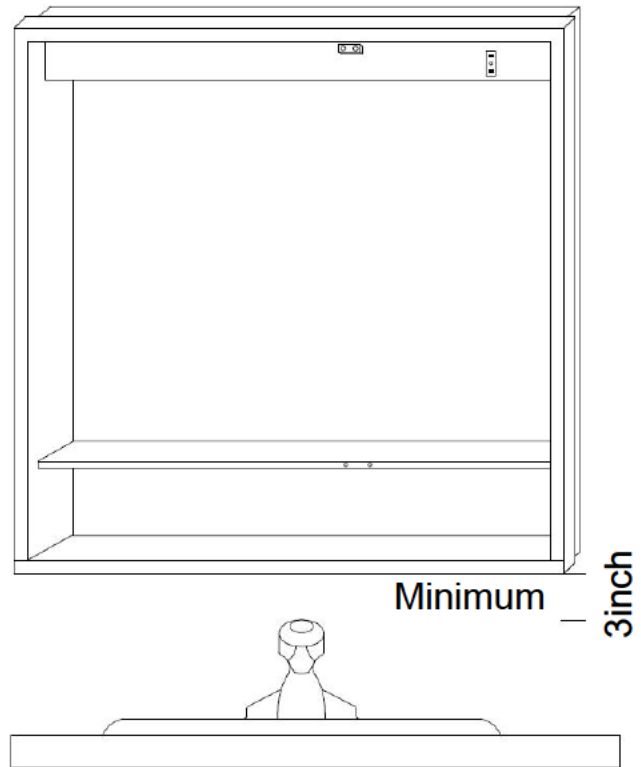


2. Then, press the end of the hinges and detach the cabinet door.



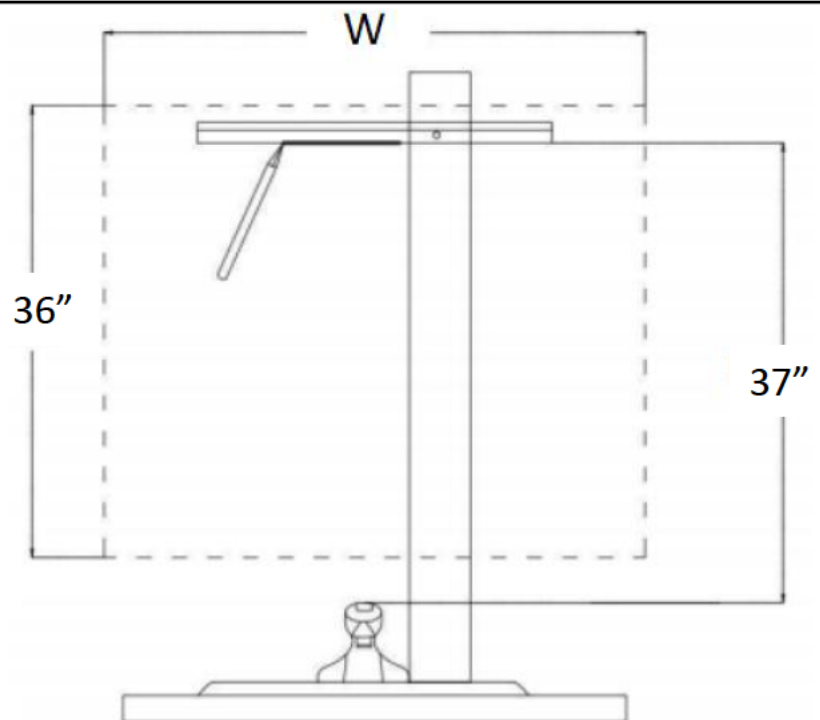
Surface Installation Instruction

Verify minimum clearances



STEP 1

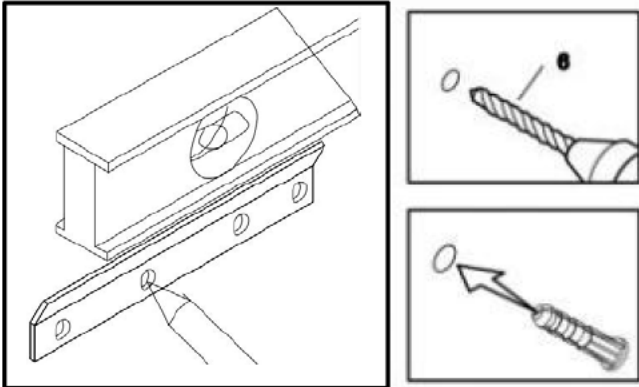
W is the total width of the medicine cabinet.



STEP 2

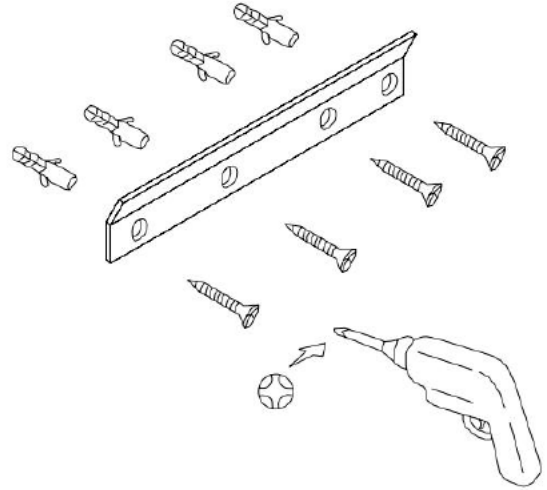
Surface Installation Instruction

Mark hole locations on the wall. Drill holes. Insert anchors where needed.

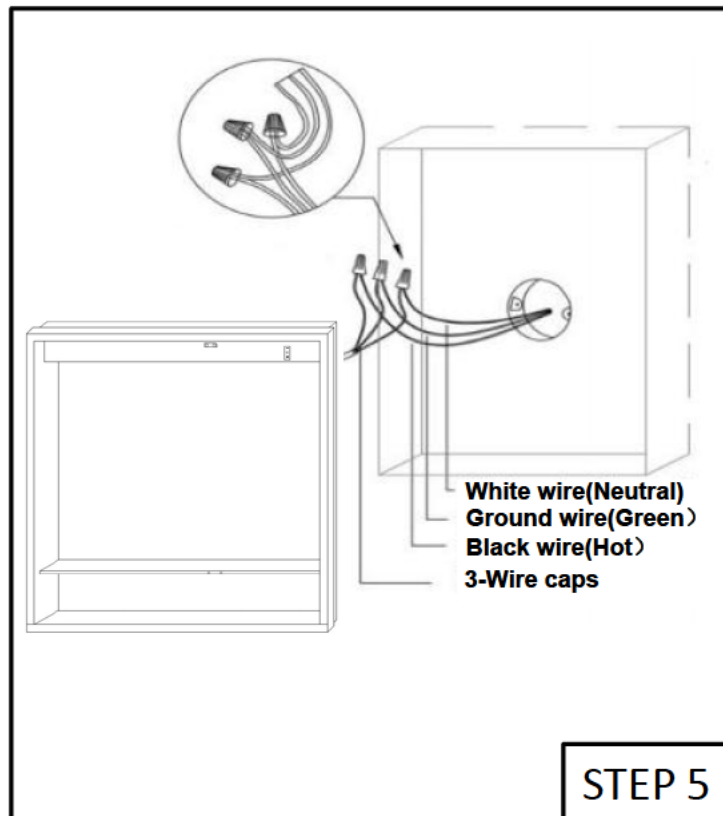


STEP 3

Secure the bar with Flat head screws



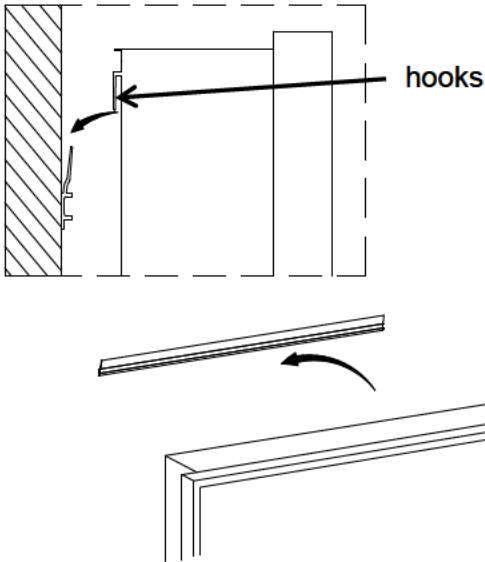
STEP 4



STEP 5

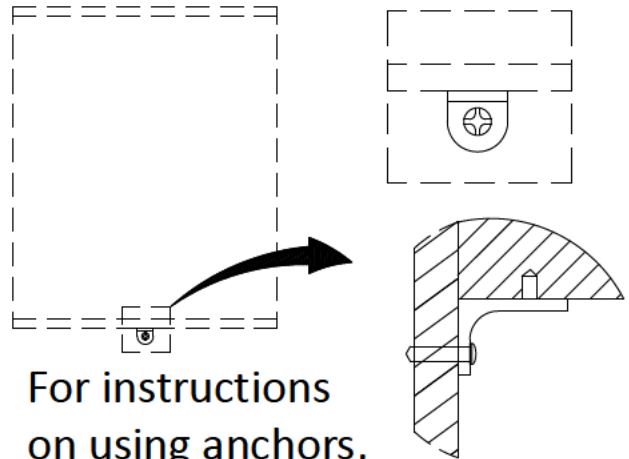
Surface Installation Instruction

Lift the cabinet and slide it down over the mounting bar.
Make sure the hooks engage the bar.



STEP 6

Place the support bracket on the bottom of the cabinet and mark hole location on the wall. Drill hole and insert anchor where needed. Fix the support angle by screw. Keep in mind the distance of the studs is 16" center to center.



For instructions on using anchors, please refer to the next step.

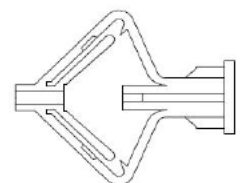
STEP 7

Rules for Selecting Anchors

Installing on Drywall:

- Use Anchors A to ensure a secure installation on drywall.
- Anchors A are designed to provide adequate support on drywall.

Anchors A



Installing on concrete well:

- Use Anchors B for a stronger installation.
- Anchors B are specifically designed for concrete well, offering higher fastening strength on studs.

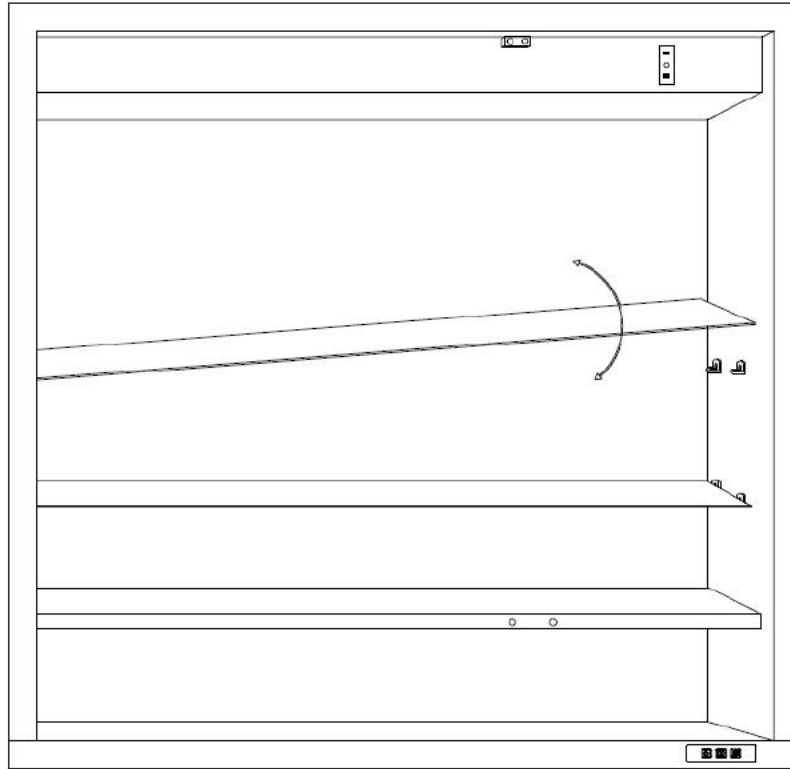
Anchors B



STEP 8

Surface Installation Instruction

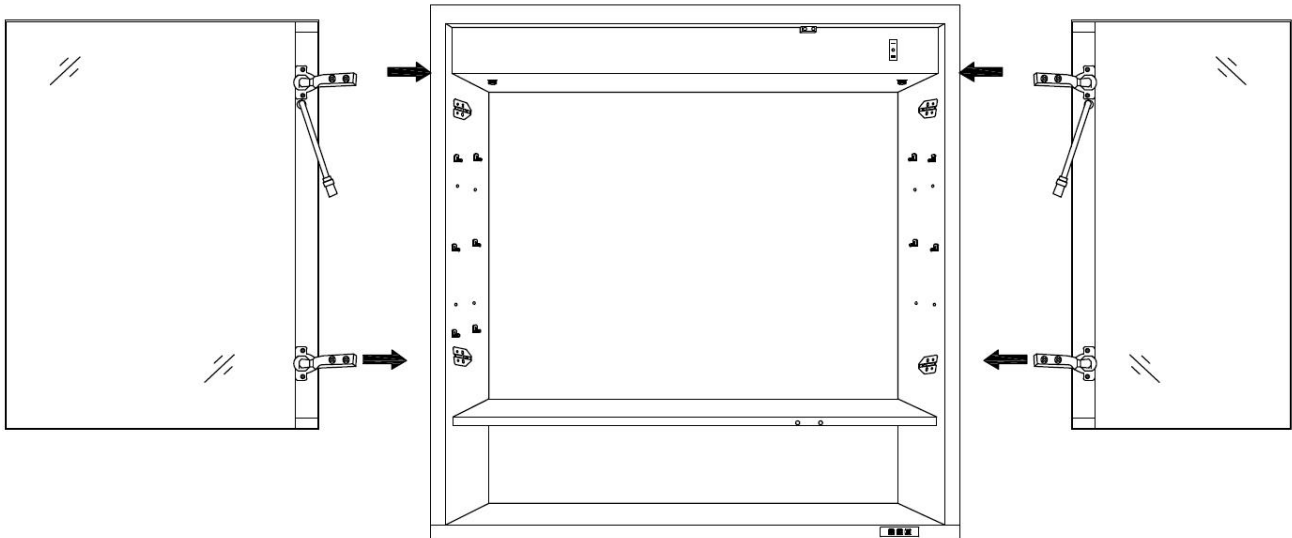
Install the glass shelves by mounting them over the clips.



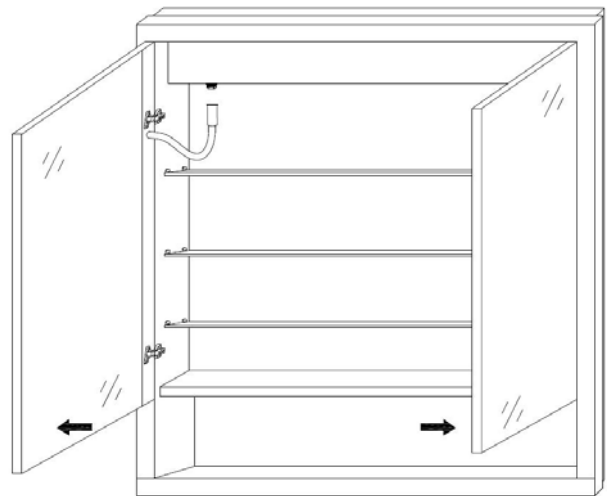
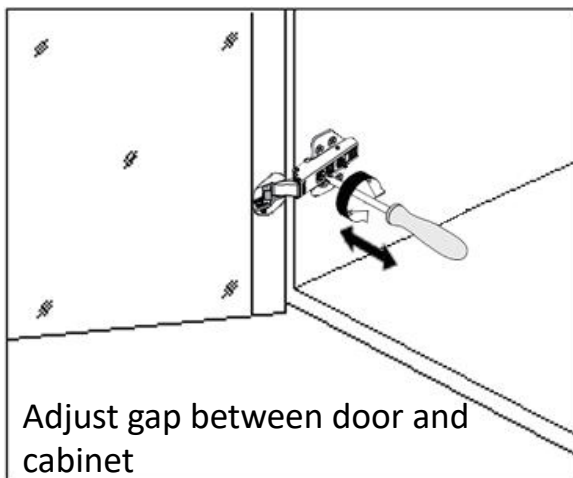
STEP 9

Step10: Cabinet Door Installation

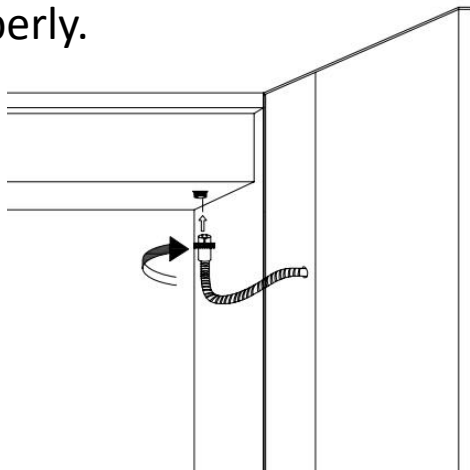
1. Insert the hinges to the base, then connect the doors with the cabinet



2. If necessary, adjust corresponding screws on the hinge to align the doors, ensure that gaps are even and the doors open and close smoothly

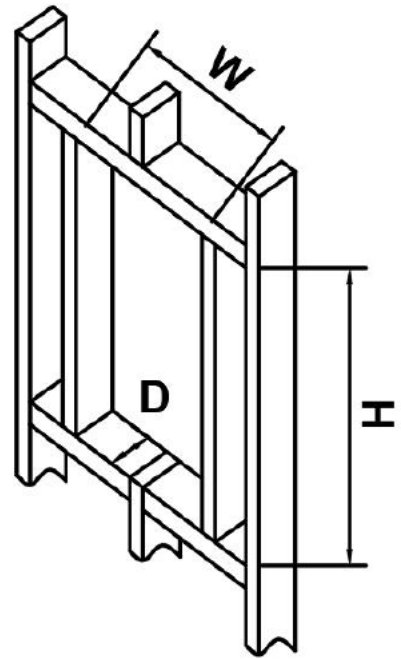


3. Connect the electrical cord on the door to the cabinet and tighten it properly.



Embedded Installation Instruction

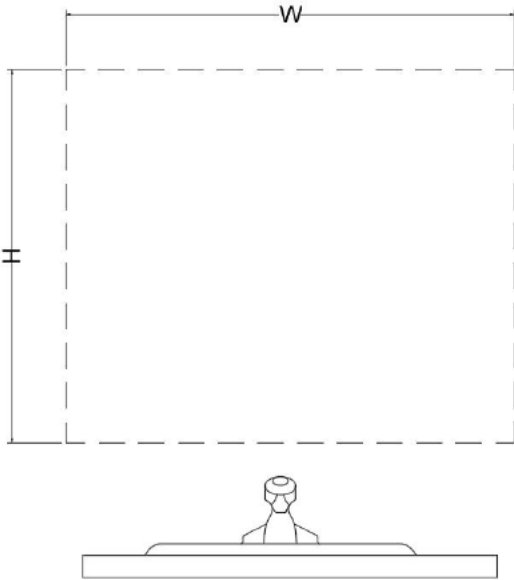
Before installing, it is necessary to determine the opening size, which can be referred to in the table below.



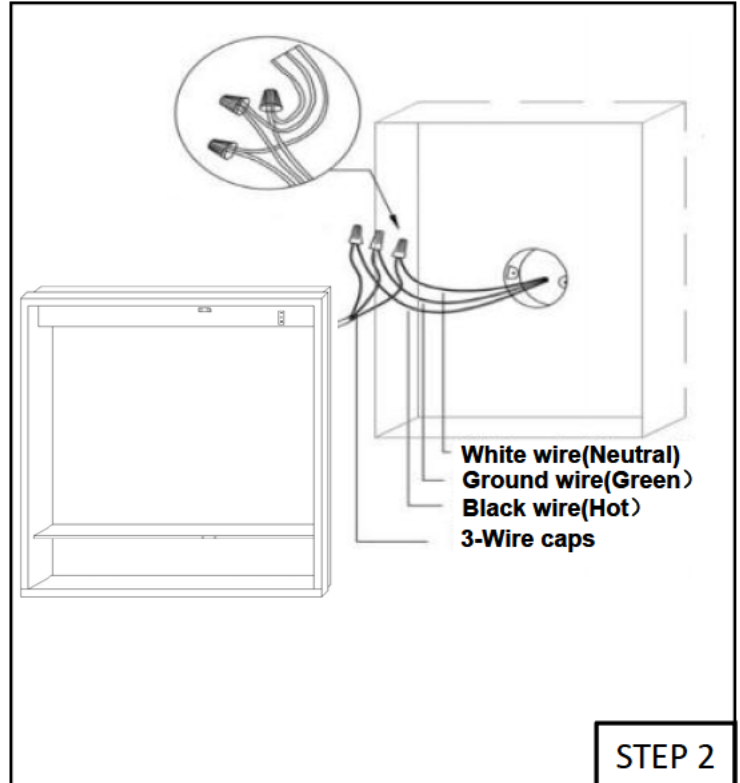
Actual cabinet		Wall opening dimensions for embedded installation all in Inches.		
No.	Dimensions	W (Width)	H (Height)	D (Depth)
1	24"×36"	23-5/16	35-5/16	4
2	30"×36"	29-5/16	35-5/16	4
3	36"×36"	35-5/16	35-5/16	4
4	42"×36"	41-5/16	35-5/16	4
5	48"×36"	47-5/16	35-5/16	4

Embedded Installation Instruction

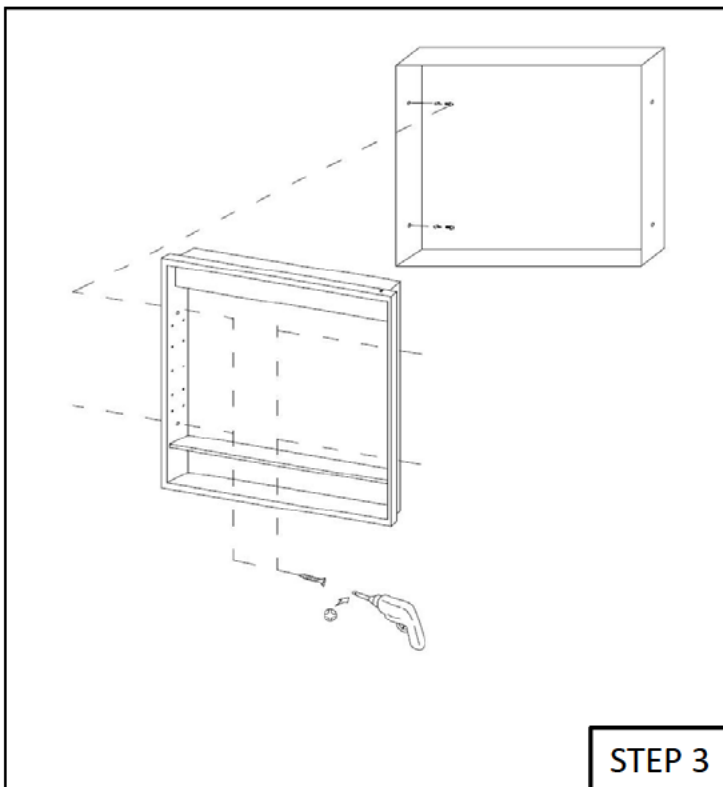
Determine the size of the opening



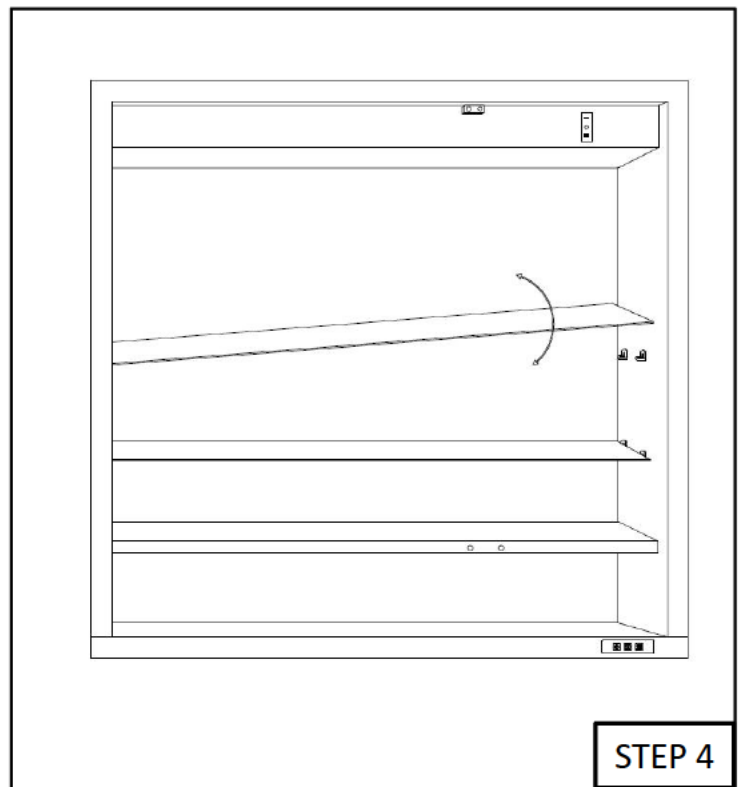
STEP 1



STEP 2



STEP 3

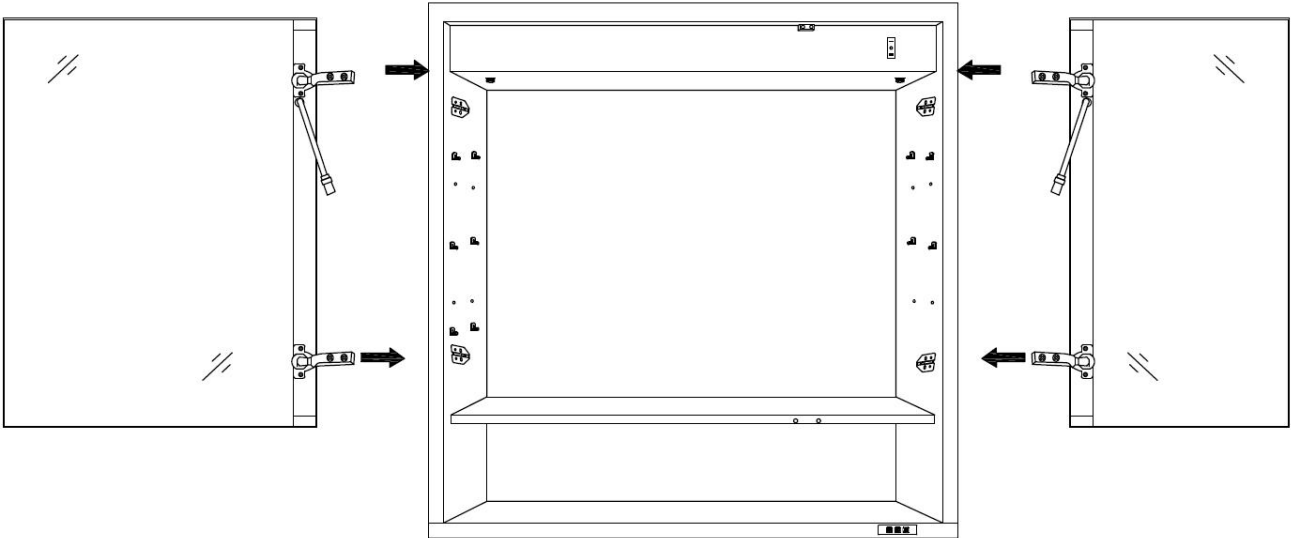


STEP 4

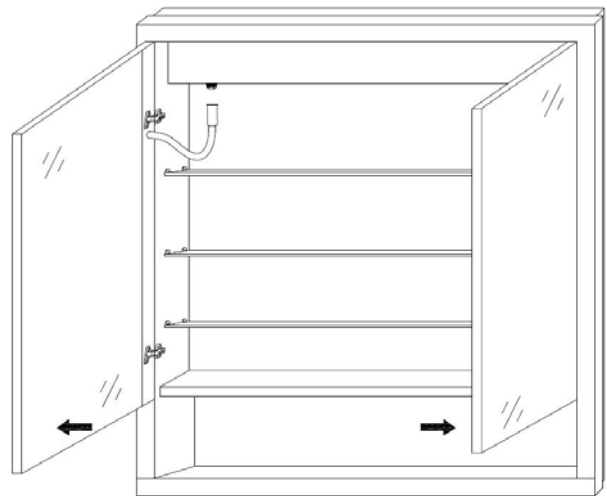
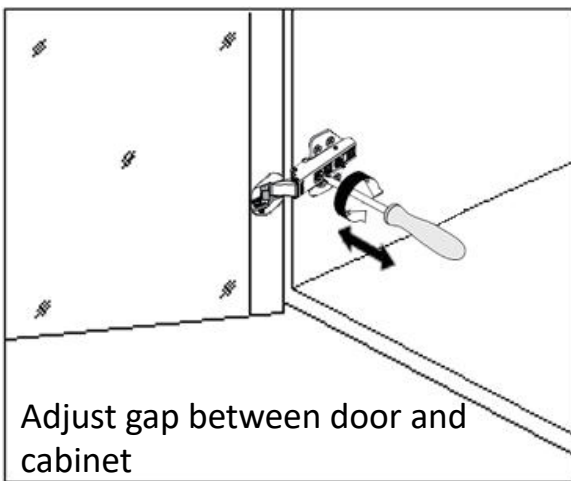
*All diagrams are for reference only. All model dimensions and proportion position will vary.

Step5: Cabinet Door Installation

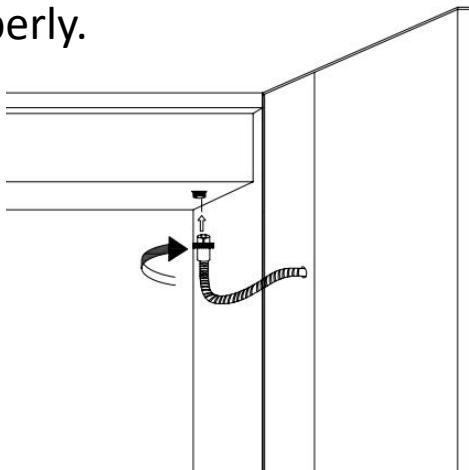
1. Insert the hinges to the base ,then connect the doors with the cabinet



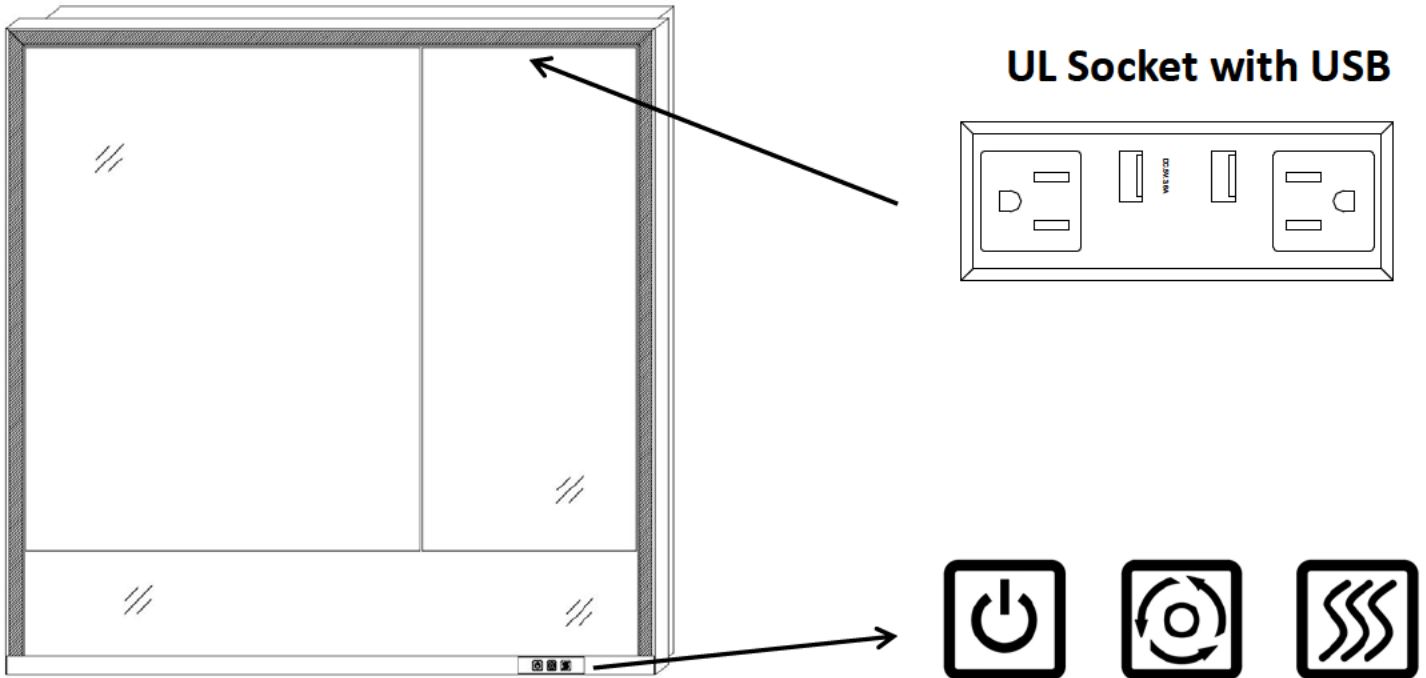
2. If necessary , adjust corresponding screws on the hinge to align the doors, ensure that gaps are even and the doors open and close smoothly



3. Connect the electrical cord on the door to the cabinet and tighten it properly.



Operating Manual



● Setting the light & Defogger

The buttons turn blue when connected to the main power supply and turn white after a brief touch. Optional to be wired to wall switch by ON/OFF memory function.



- Briefly touch the button to control on/off the light and illumination modes.
- The first touch is to turn on all the lights, the second touch is to turn on only the front light, the third touch is to turn on only the back light, and the touch again turn off all the lights, and so on.
- Press and hold the button to adjust the brightness when the mirror is on.
- If there is no operation within 15 seconds, touching this button will directly turn off the lights.

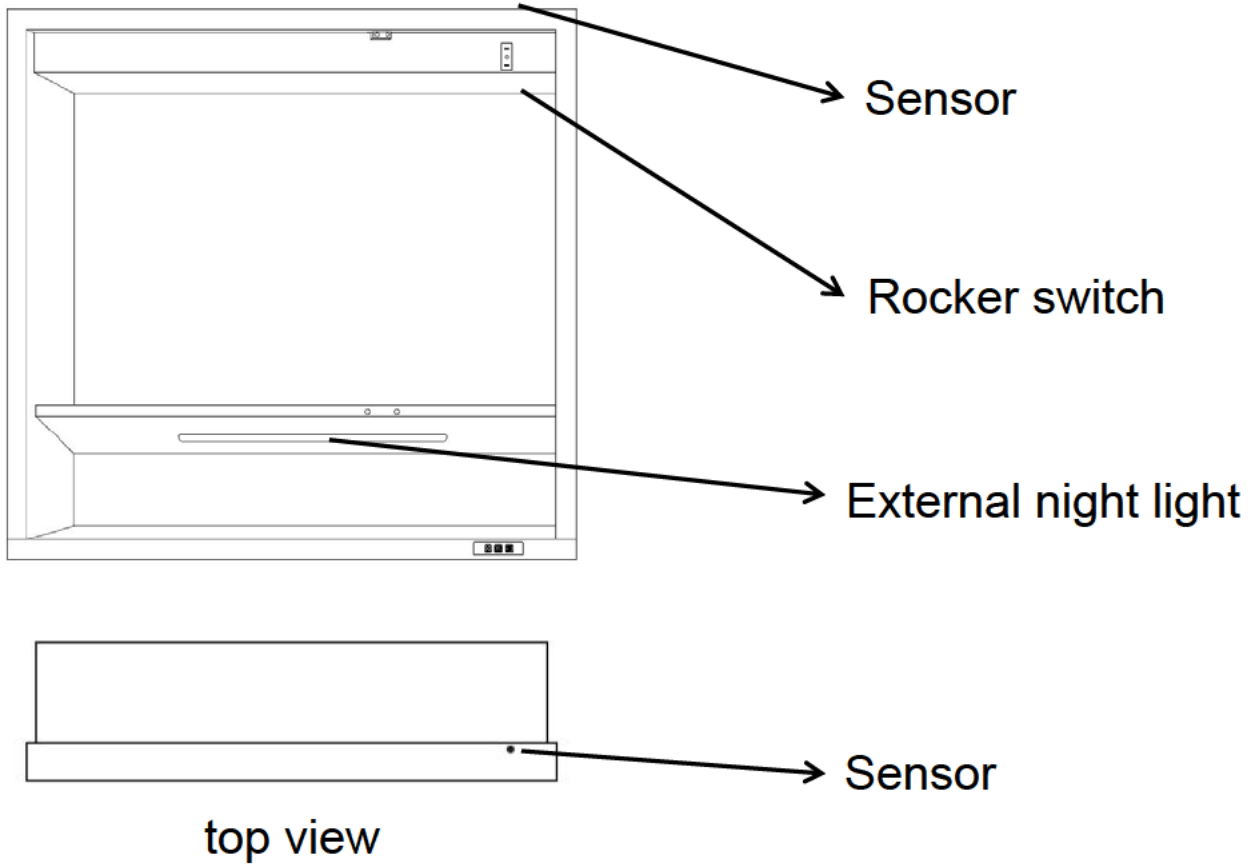


- Briefly touch the button to change the color temperature among the 3000K, 4200K and 6000K when the light is on.
- Press and hold the button to change the color temperature steplessly.



- The mirror begins to warm up and defog after you press the defogger button.
- Press the button again to turn off the anti-fog function.
- **Press and hold the button to turn the blue backlight on or off.**
- **Note:** To prevent damage from prolonged high temperatures, the defogger will automatically stop after 60 minutes of continuous operation.

● **Manual to Interior LED Light**



- Don't cover the light sensor.
- It is located on the right side of the top of the medicine cabinet.

If you need to change the mode of the external night light, please refer to the instructions for the rocker switch below.

