

## NOTICE:

- Please retain these instructions for future reference.
- Please read the instruction sheets completely before assembly. Remove all parts from the carton and ensure all components are included before assembly.
- Assemble the sofa on a protected surface to avoid scratching the components of the sofa. Be careful not to cross-thread screws.
- You can use a wooden hammer to help assemble to make sure the joints and tubes are assembled in position.
- Two people are recommended for assembly!
- When you assemble your sofa, if you smell a weird smell of the material, please don't worry it's very Normal. What you should do is to air it for 1 or 2 days on your balcony, patio, or near your window. We have been certified by the environment authority. So please don't worry it won't hurt your health, it's completely safe.



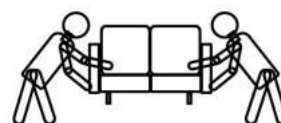
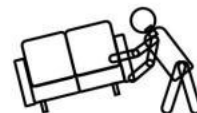
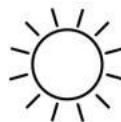
1-2  
People Assembly



45~  
Minutes Assembly

## RETURN/DAMAGE CLAIM INSTRUCTIONS:

- If the package is damaged, please contact us as soon as possible and attach the damaged photo. Return Policy: This item can be returned within 30 days without any reason. If you return this item for personal reasons, you need to bear the freight of returns and order processing fee (0-50% restocking fee based on the invoice price). If the product has quality issues (not caused by humans), we will bear the freight.
- If you need to return the goods, please keep the original box. Please make sure to use the return label provided by us and do not return it without permission. Please do not share a label with multiple boxes.
- If you return the product after 30 days from receiving it, we are afraid that your return application won't be accepted. We appreciate your understanding.
- The warranty product is one year. If this item is damaged within the warranty period we will arrange you the replacement parts free of charge. If the item is damaged for some personal reasons, we could also replace it for you, however you need to bear the transport fees.



## CLEANING AND MAINTENANCE OF LEATHAIRE SOFA

- The washing method of the leath-air sofa should be dry cleaning to prevent shrinkage deformation. Please do not bleach. Leathaire sofas vacuum at least once a week, paying particular attention to removing dust between fabric folds.
- If you accidentally stick to the beverage, coffee, tea stains on the sofa, please wipe the surface of the leathaire sofa with the mixture of white vinegar and baking soda. Please use a dry cloth to wipe off the moisture on the surface after wiping.
- Please gently pat and tidy the cushions and backrests of the sofa frequently to keep them beautiful;
- Please note that the leathaire sofa is not machine washable, as it is a kind of nano sealing glue technology. Please do not tear it with great force. It will destroy the sealing glue on the surface of leathaire fabric, resulting in damage on the surface of the fabric and more serious damage.
- If wrinkles occur, please iron it with a steam iron at a temperature between 158°F and 176°F.



## CLEANING AND MAINTENANCE OF FAUX LEATHER SOFA

- Please use leather-specific cleaners and care solutions for comprehensive cleaning and care after first purchase. PU sofa should be placed in a suitable temperature, ventilation place where the sun cannot shine directly to avoid leather discoloration or discoloration.
- Clean the sofa regularly with a clean white cotton cloth. The leather surface can be applied evenly with a special leather cleaner or glossing agent, and then dried later with a clean, soft cloth. Prohibit the use of oily leather care solutions.
- If you accidentally spilled tea, drinks, soup on the sofa, please wipe clean with a clean white cotton cloth in time. If there are traces of residue, please use a special cleaning agent or tableware cleaner water (cleaner: water : 1:10), dilute it and then dry with a clean white cotton cloth. Please gently pat and tidy the cushions and backrests of the sofa frequently to keep them beautiful.
- The surface of the sofa is easily contaminated by grease and sweat from the skin, hair, dirty hands, and dirty clothes. It is recommended to put a piece of decorative cloth on the head and arms to protect the sofa.
- If wrinkles occur, please iron it with a steam iron at a temperature between 158F and 176°F.

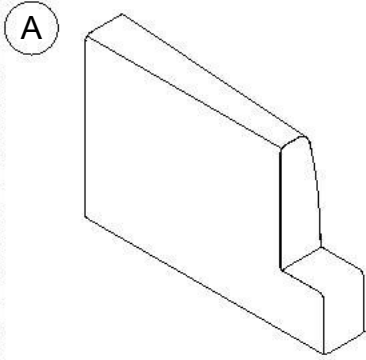


## CLEANING AND MAINTENANCE OF FABRIC SOFA

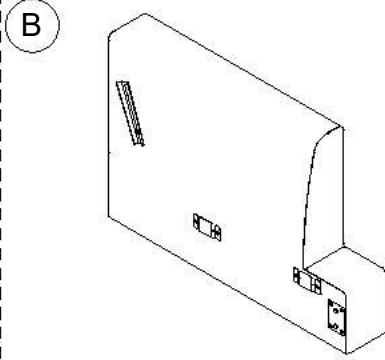
- Fabric sofa should be regularly removed with a vacuum cleaner or brush to prevent dust or stains from staying on the fabric for a long time. Fluffing the seat cushions and pillows every week, whether in use or not, will help adjust the density of the padding so that it is even and fluffy back to its natural state. Especially when you often sit in the same position, you need to frequently change the position of the seat cushion to make the cushion force uniform.
- If you accidentally stick to the beverage, coffee, tea stains on the sofa, please wipe it with a white cotton cloth or absorbent paper towel. If there are residual traces, please wipe the stain with 50% of water and 50% of the solvent of white vinegar, and then clean the stain with neutral soap, or wipe the stain with a piece of soaked cotton cloth. Then use a dry white cloth or absorbent paper towel to absorb the remaining liquid, and finally dry it gently with a blower.
- If you accidentally splash oil on the sofa, please use absorbent paper to gently wipe off the residual oil. Please gently wipe stains with a piece of pure ethane alcohol soaked in a cotton cloth, do not rub, and then use a dry cloth or absorbent paper towel to suck away the residual liquid.
- Stains such as handwriting and ink should be dealt with immediately when they are first produced. The longer it's on the fabric, the harder it is to remove.
- The cleaning method of fabric sofa covers is dry cleaning, and bleach water cannot be added. The fabric sofa covers need to be ironed after washing, and the ironing temperature is between 158F and 176F.
- If wrinkles occur, please iron it with a steam iron at a temperature between 158°F and 176°F.



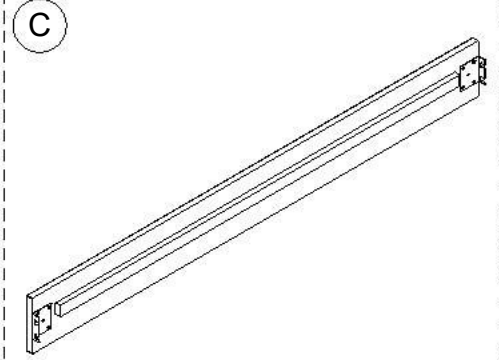
PARTS LIST



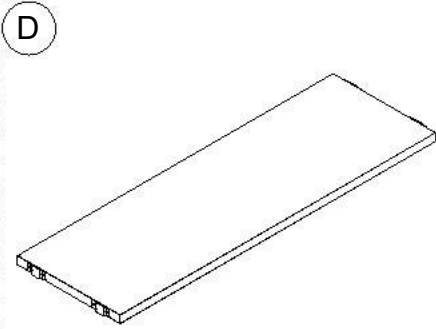
Left Armrest X 1



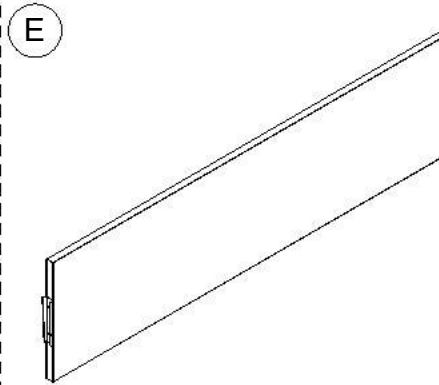
Right Armrest X 1



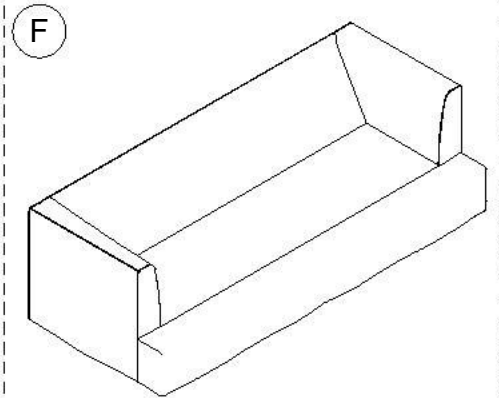
Front Rail X 1



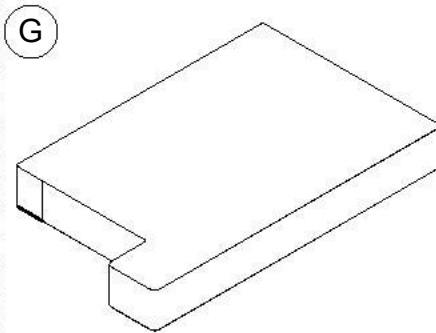
Seat Panel X 1



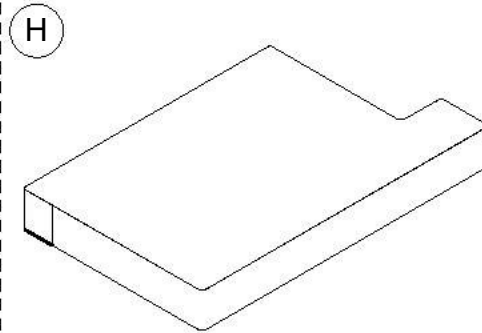
Back X 1



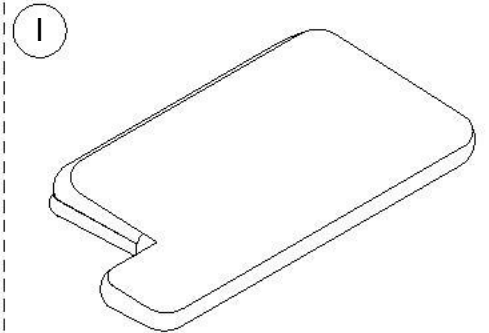
Sofa Slipcover X 1



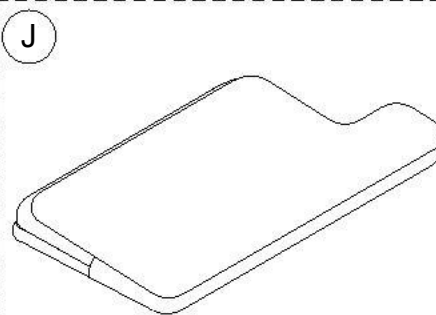
Left Seat Cushion X 1



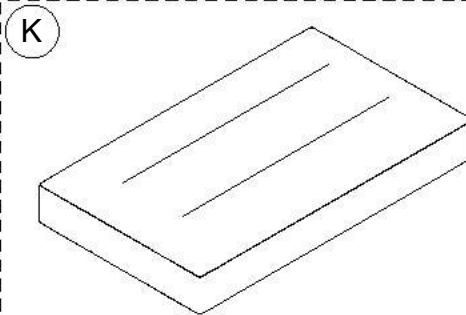
Right Seat Cushion X 1



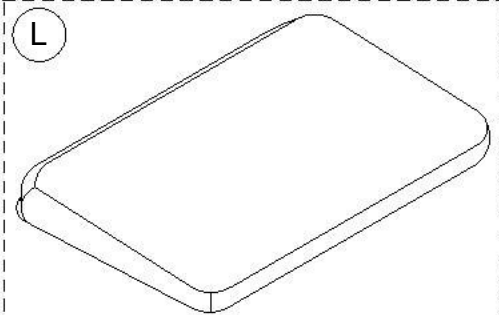
Left Seat Slipcover X 1



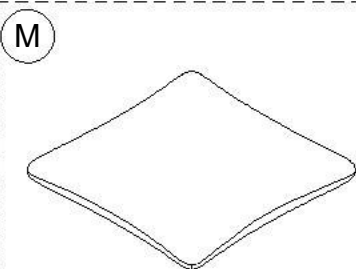
Right Seat Slipcover X 1



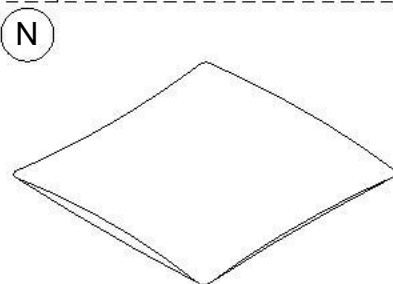
Back Cushions X 2



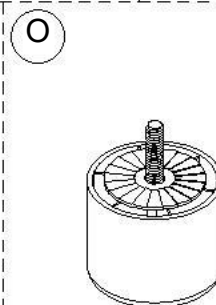
Back Slipcovers X 2



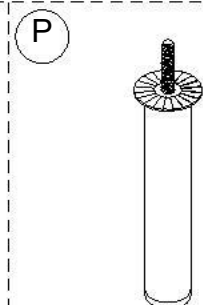
Pillows X 2



Pillow Slipcovers X 2



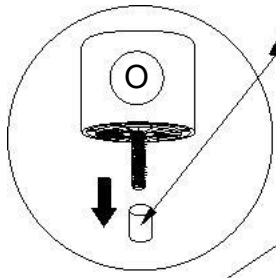
Legs X 4



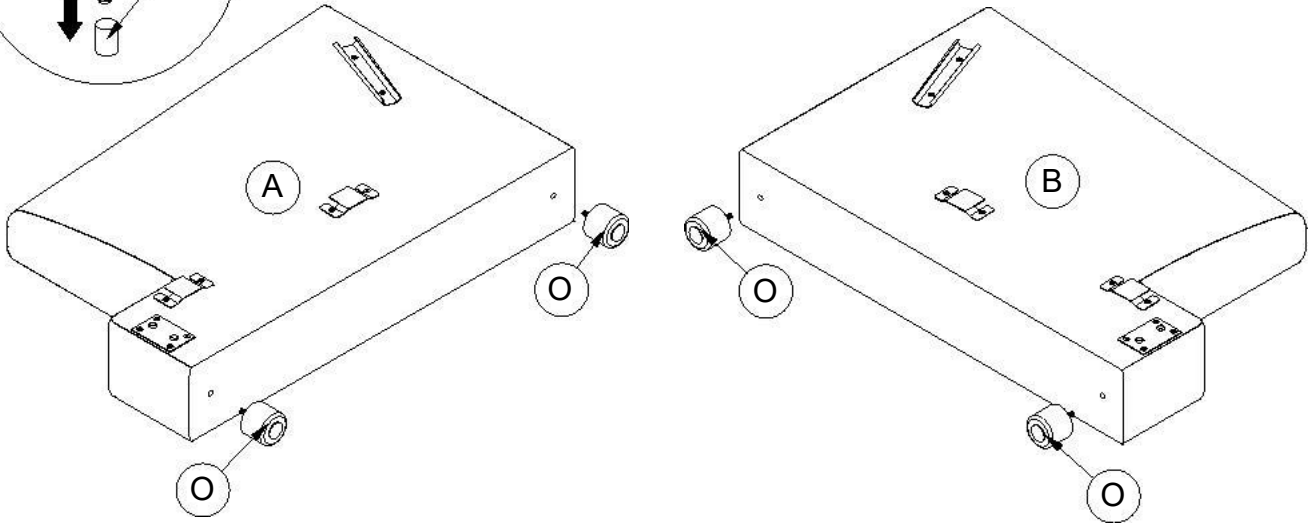
Support Leg X 1

**STEP 1:**

Manually screw Legs **O** x 4 to Armrests **A** & **B**, as shown.



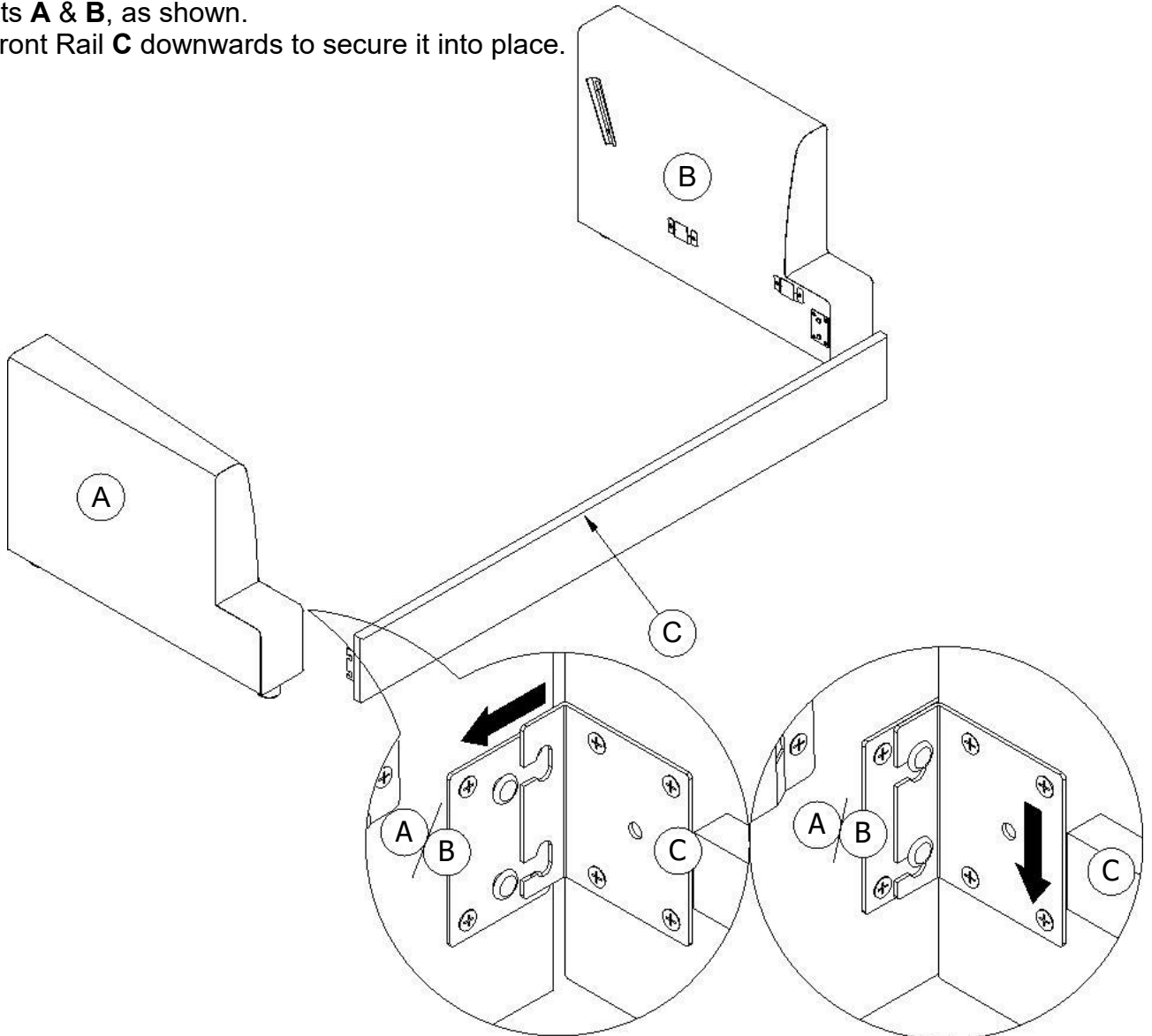
⚠ Please remove the protective cap on the tip of thread before assembling.



**STEP 2:**

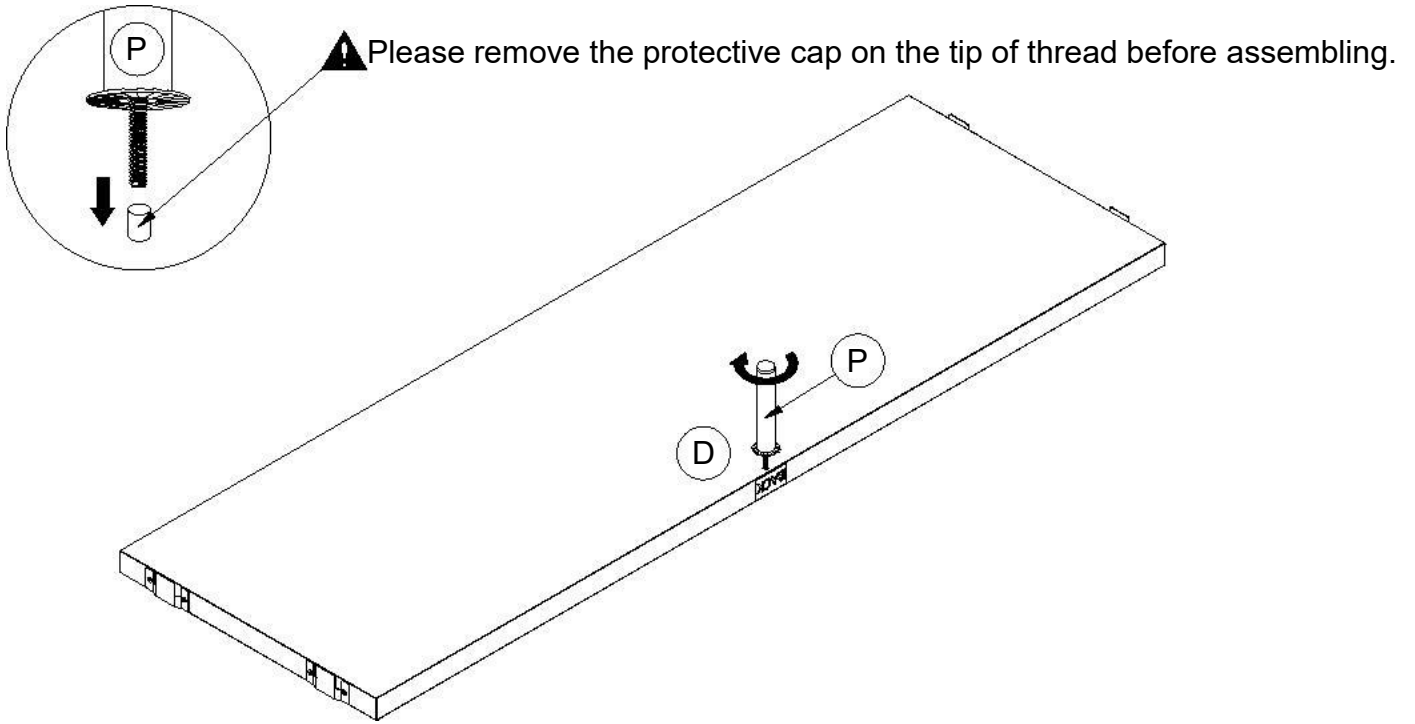
Attach Front Rail **C** to Armrests **A** & **B** by inserting the brackets on Front Rail **C** into the metal plate on Armrests **A** & **B**, as shown.

Push Front Rail **C** downwards to secure it into place.



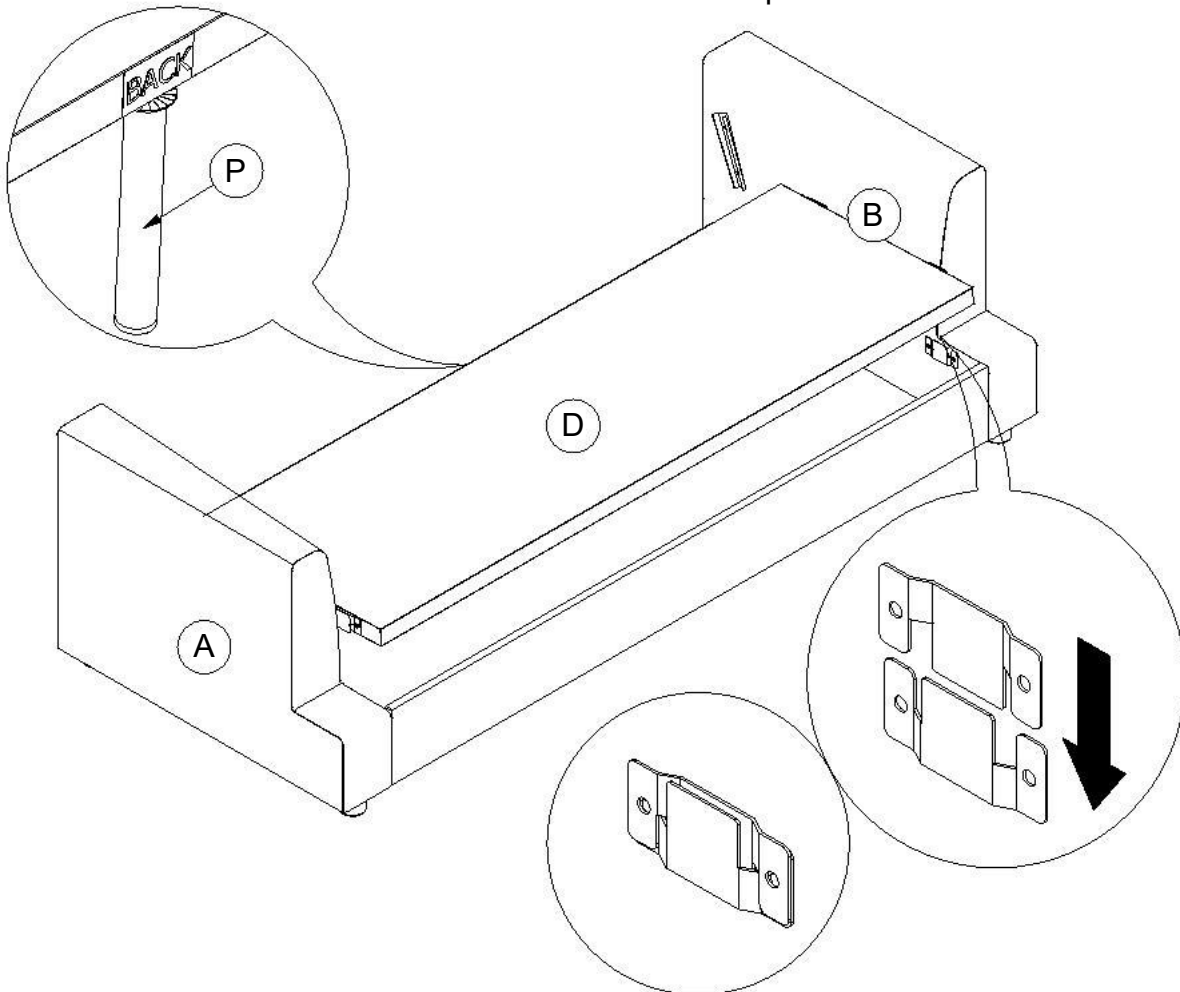
**STEP 3:**

Manually screw Support Leg **P** to Seat Panel **D**, as shown.



**STEP 4:**

Attach Seat Panel **D** to Armrests **A** & **B** by inserting the metal brackets on Seat Panel **D** into the metal glides on Armrests **A** & **B**, as shown.  
Push Seat Panel **D** with a downward force to secure it into place.

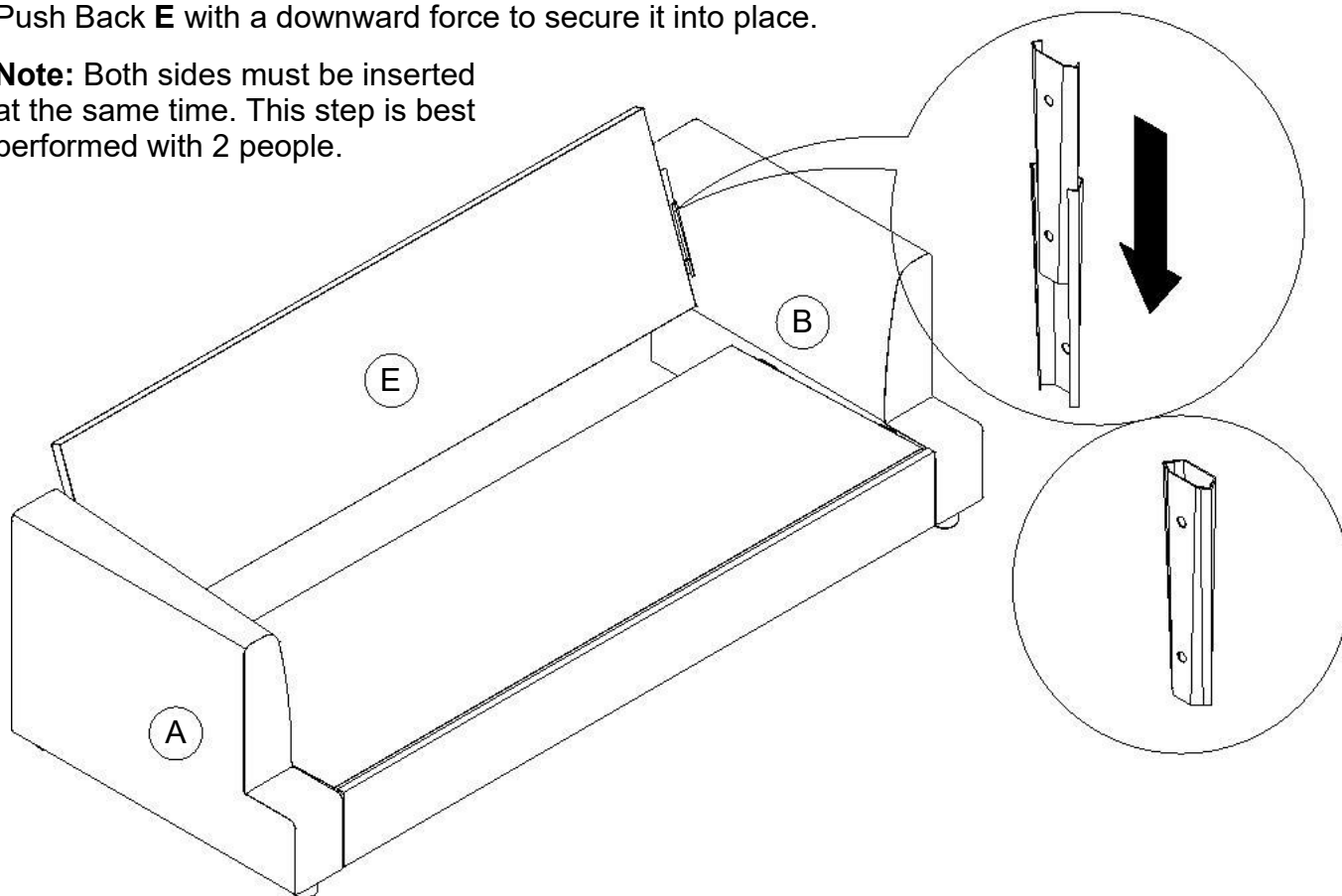


**STEP 5:**

Attach Back **E** to Armrests **A** & **B** by inserting the brackets on Back **E** into the metal glides on Armrests **A** & **B**.

Push Back **E** with a downward force to secure it into place.

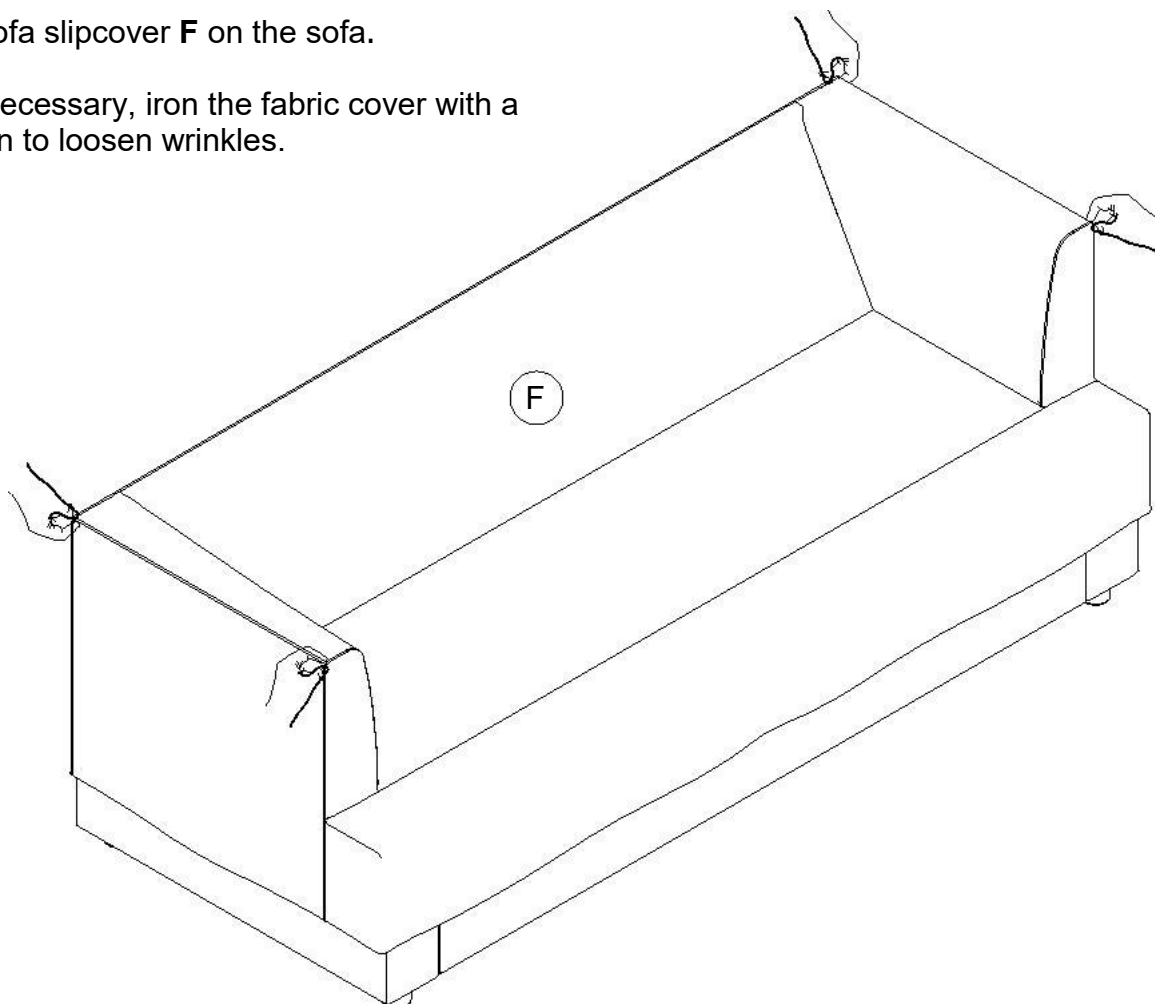
**Note:** Both sides must be inserted at the same time. This step is best performed with 2 people.



**STEP 6:**

Put the sofa slipcover **F** on the sofa.

**Note:** If necessary, iron the fabric cover with a steam iron to loosen wrinkles.



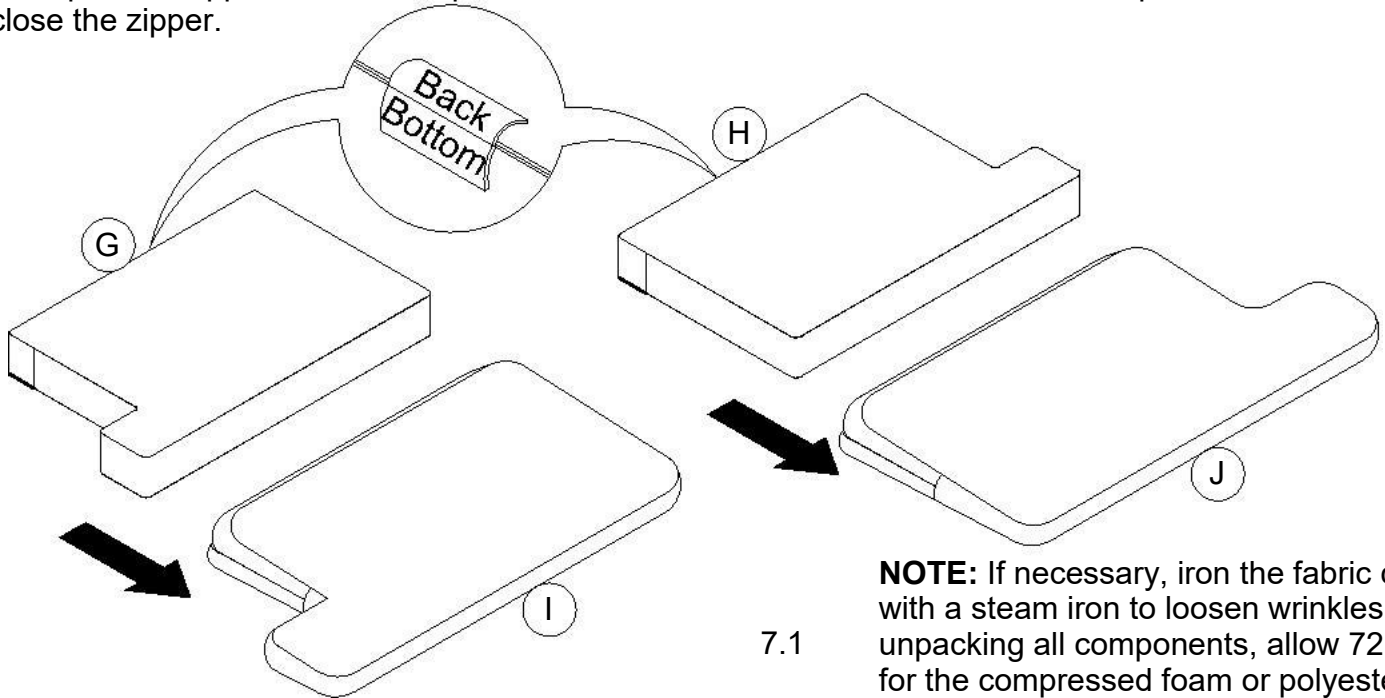
**STEP 7:**

Remove the cushions from their vacuumed sealed package.

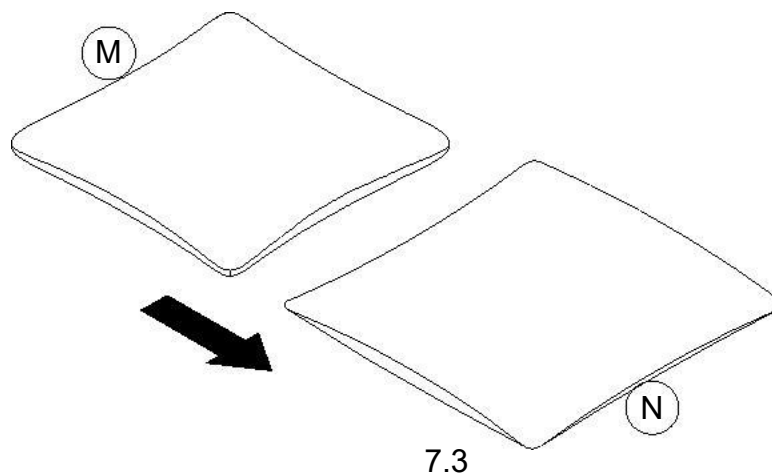
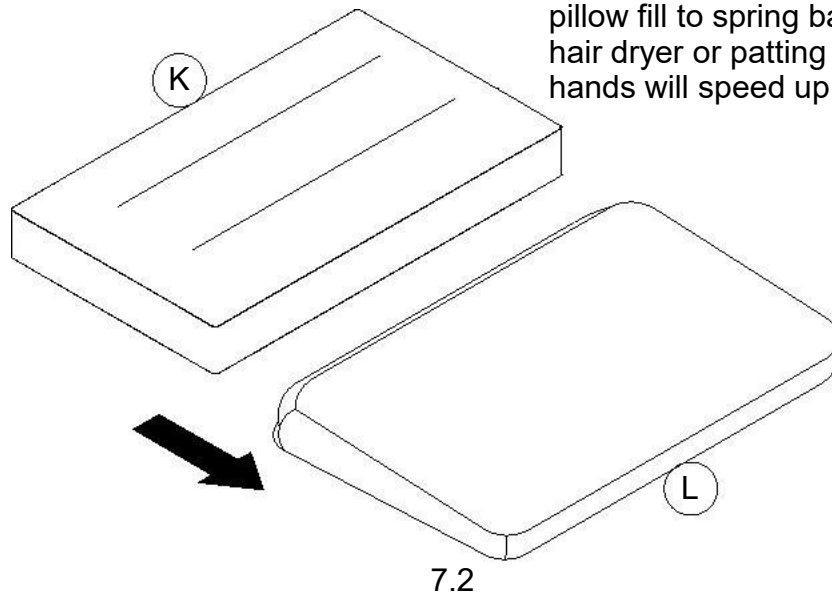
7.1 Open the zipper on Seat Slipcovers **I** & **J** and insert Seat Cushions **G** & **H** into Seat Slipcovers **I** & **J** following the orientation as indicated in left view, close the zipper.

7.2 Open the zipper on Back Slipcover **L** and insert Back Cushions **K** x 2 into Back Slipcover **L** x 2, close the zipper.

7.3 Open the zipper on Pillow Slipcovers **N** and insert Pillows **M** x 2 into Pillow Slipcovers **N** x 2, close the zipper.



**NOTE:** If necessary, iron the fabric cover with a steam iron to loosen wrinkles. After unpacking all components, allow 72 hours for the compressed foam or polyester pillow fill to spring back. Blowing with a hair dryer or patting the mat with your hands will speed up the process.



**Step 8:**

Place Seat Cushion ( **G & I**, **H & J** ), Back Cushion ( **K & L** ) x 2 and Pillow ( **M & N** ) x 2 onto the sofa, as shown.

