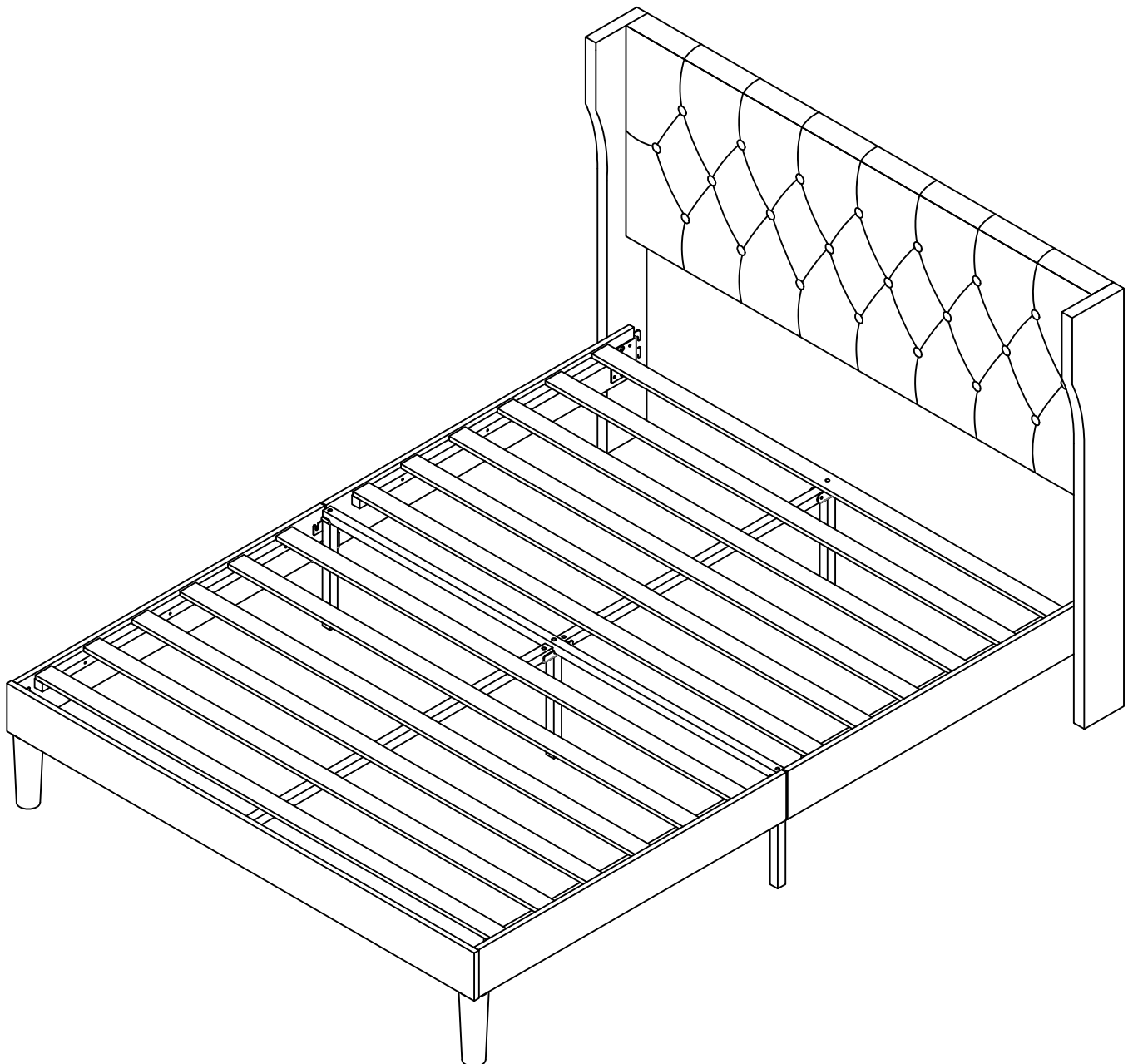


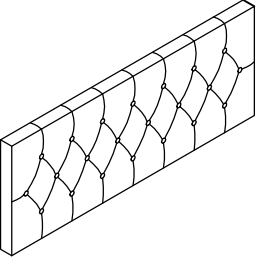
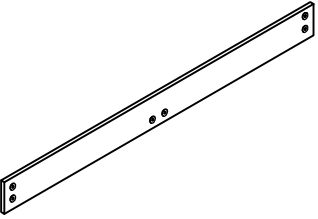
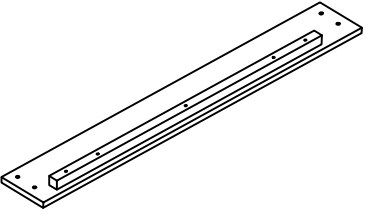
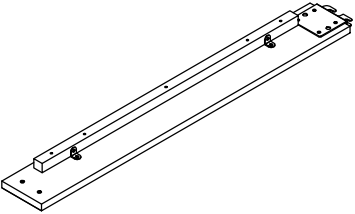
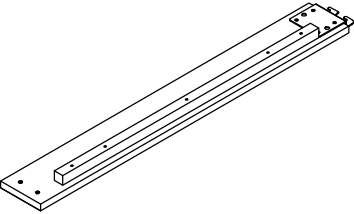
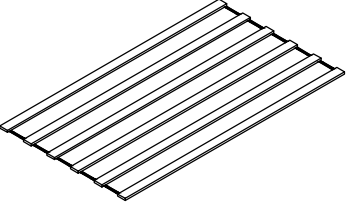
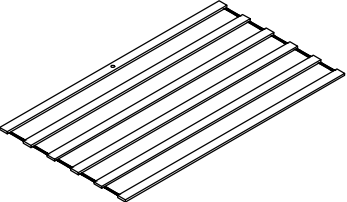
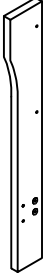

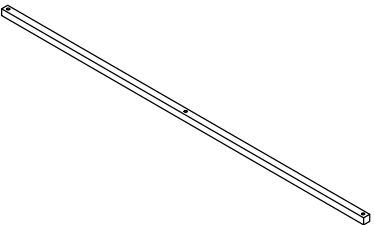
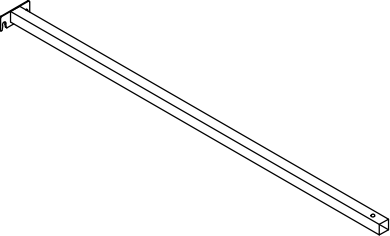
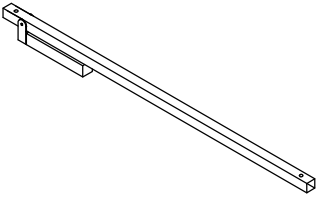
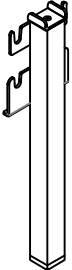
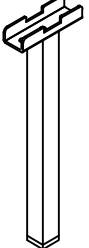
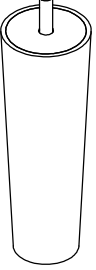
# Assembly Instruction

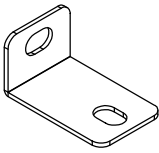
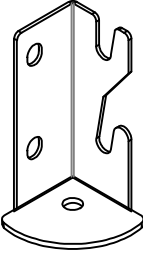
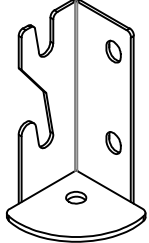
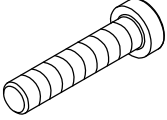
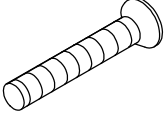
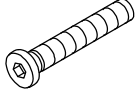
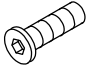
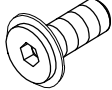
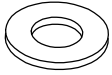

Before starting assembly, please check if you have all the parts listed, if you find something missing, do not continue with assembly, please contact us immediately.

NOTE: When assembling, please do not fully tighten the screws one by one before ensuring that all corresponding screws are in the correct position.

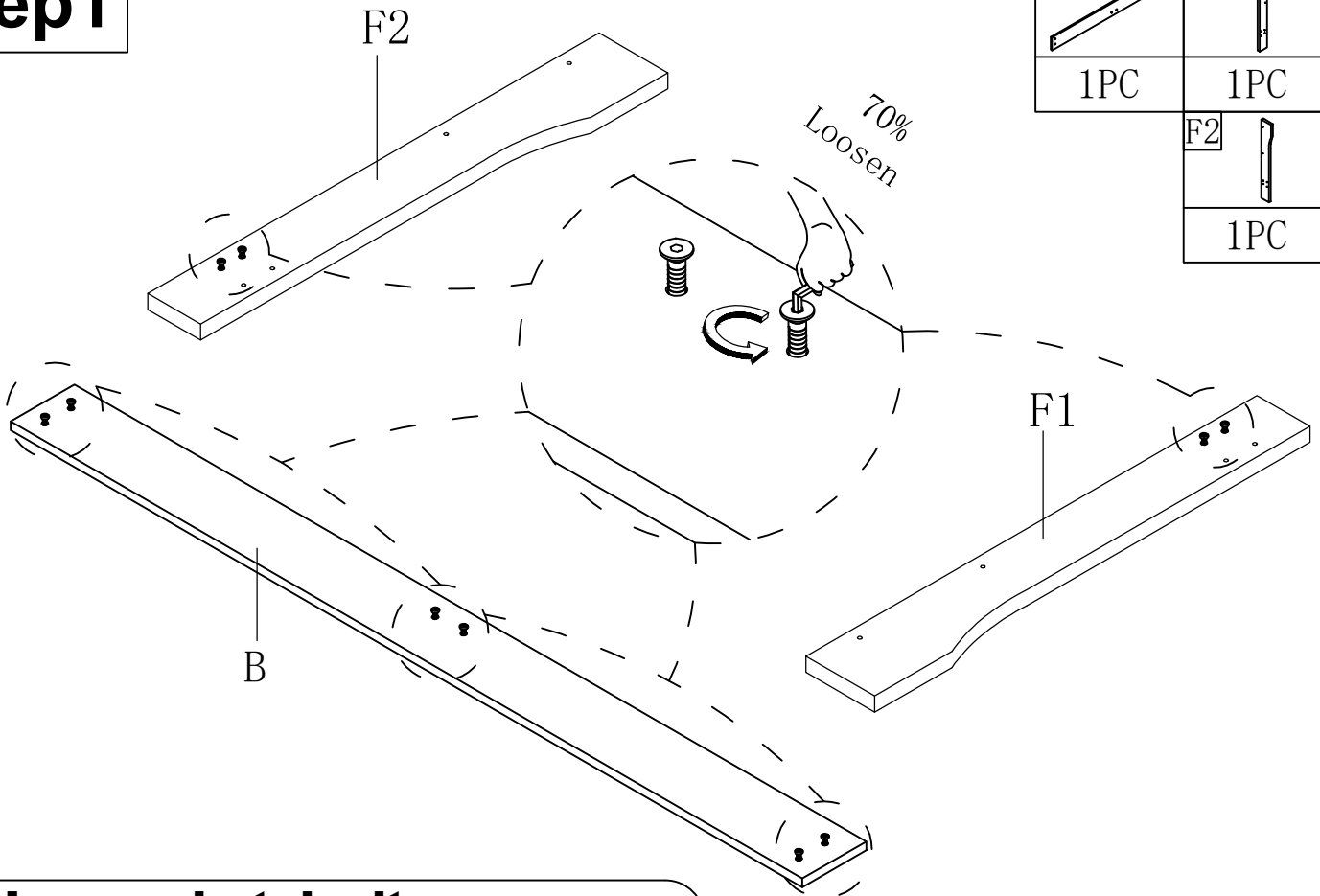
All parts are numbered for easy assembly. If you have any questions please feel free to contact us.



A	1PC	B	1PC	C	2PCS
					
D1	1PC	D2	1PC	E1	1PC
					
E2	1PC	F1	1PC	F2	1PC
					
G	1PC	H	1PC	I	1PC
					
J	2PCS	K	1PC	L	2PCS
					
2 OF 9					

M	4PCS	01	1PC	02	1PC
					
P	2PCS	Q	4PCS	R	4PCS
 Flat head screw M8*50mm		 Countersunk screw M8*50mm		 M8*40mm	
S	8PCS	T	12PCS	U	1PC
 M8*25mm		 M8*18mm		 $\phi 22 * 8.5$	
V	1PC				
 M8 Spanner					
3 OF 9					

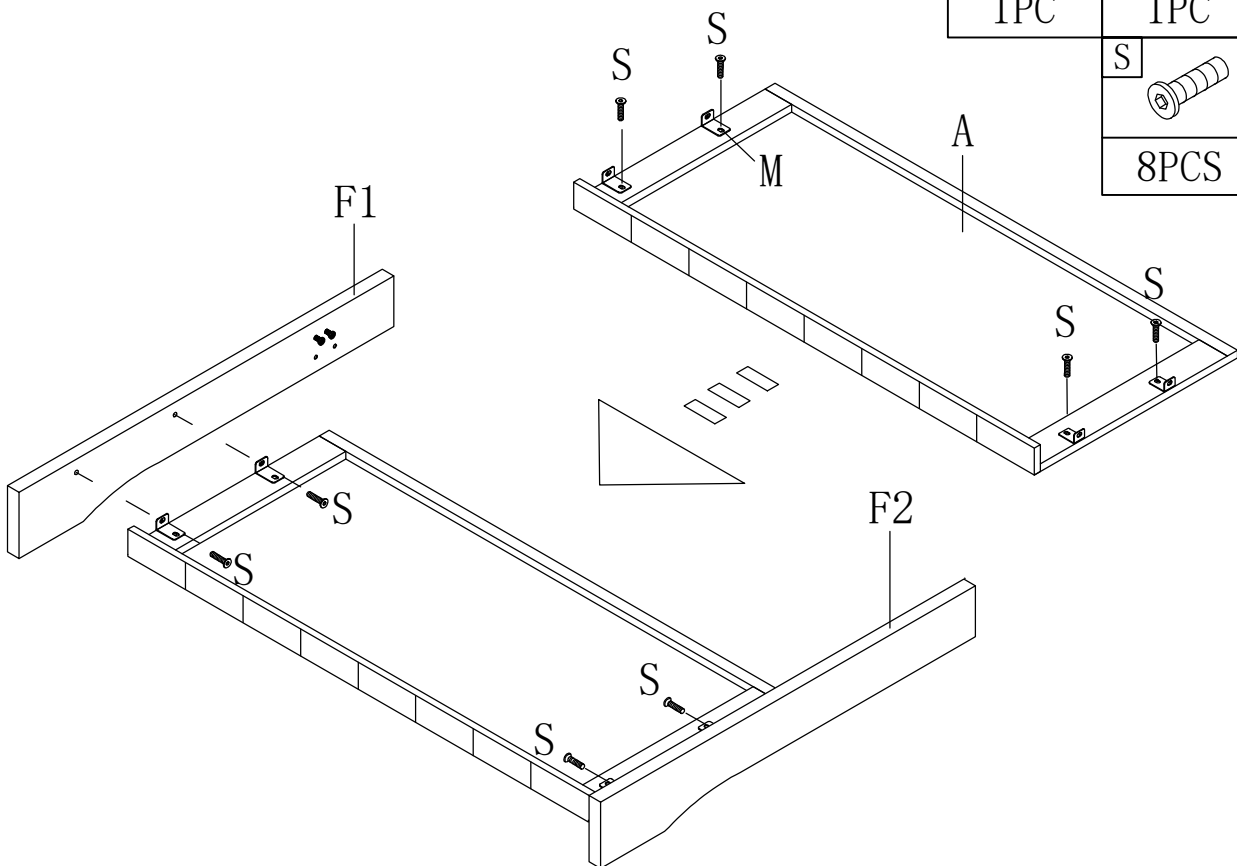
# step1



B	F1
1PC	1PC
	F2
	1PC

**Loosen but don't remove the pre-installed screws.**

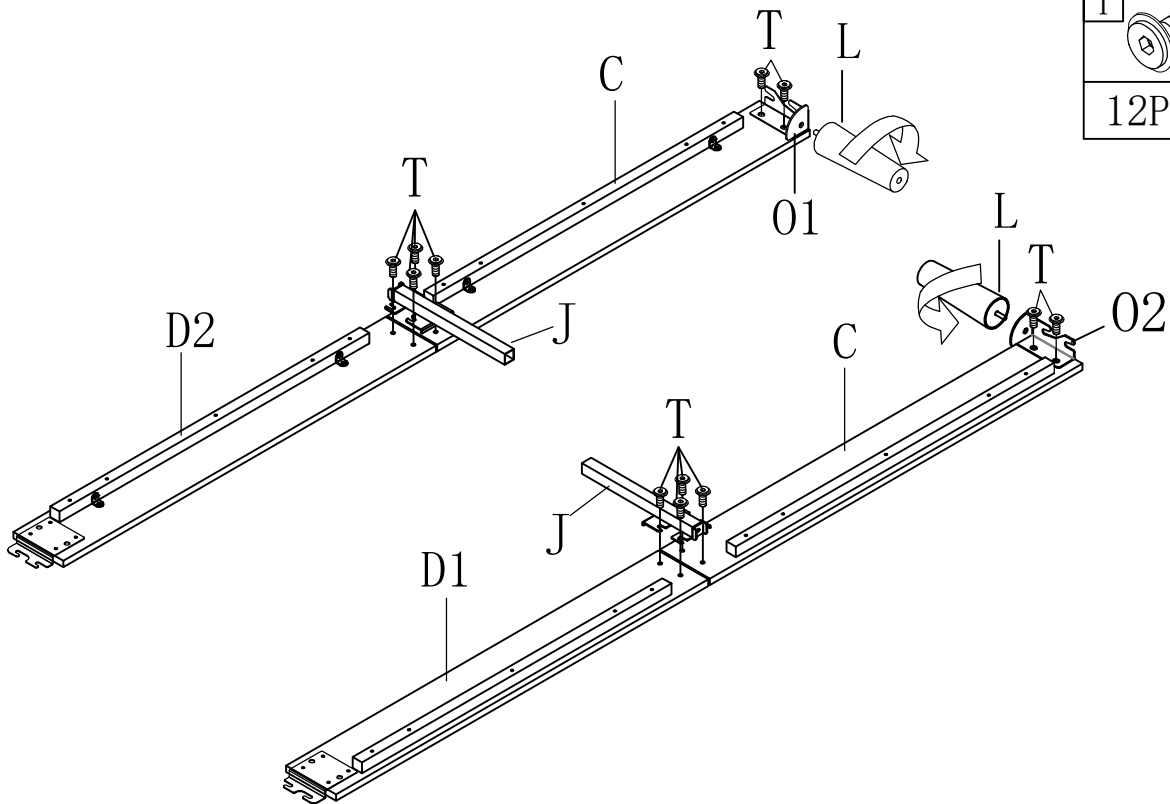
# step2



A	F1	F2
1PC	1PC	1PC
S	M	
8PCS	4PCS	

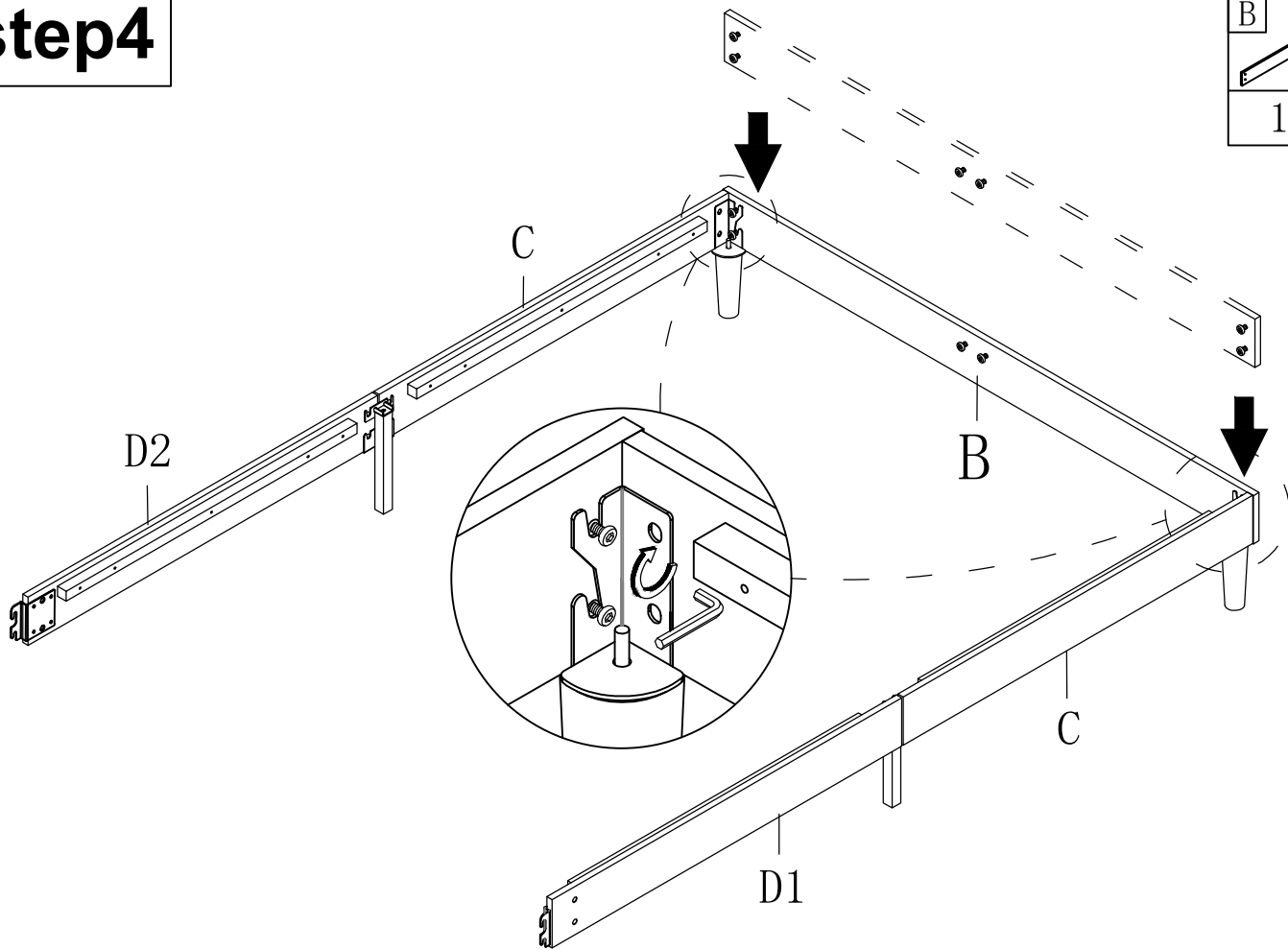
# step3

C	D1	D2	J	L	O1	O2	T
2PCS	1PC	1PC	2PCS	2PCS	1PC	1PC	12PCS

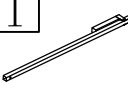

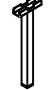
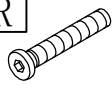


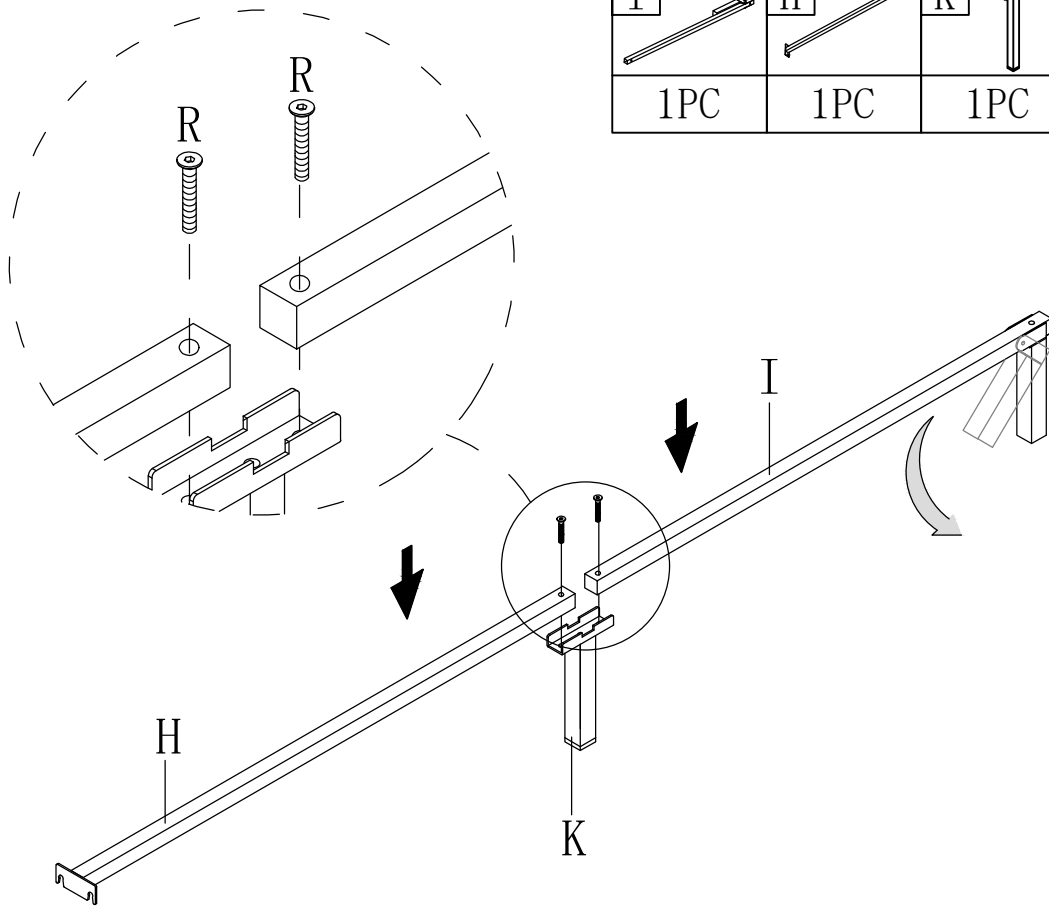
# step4

B
1PC

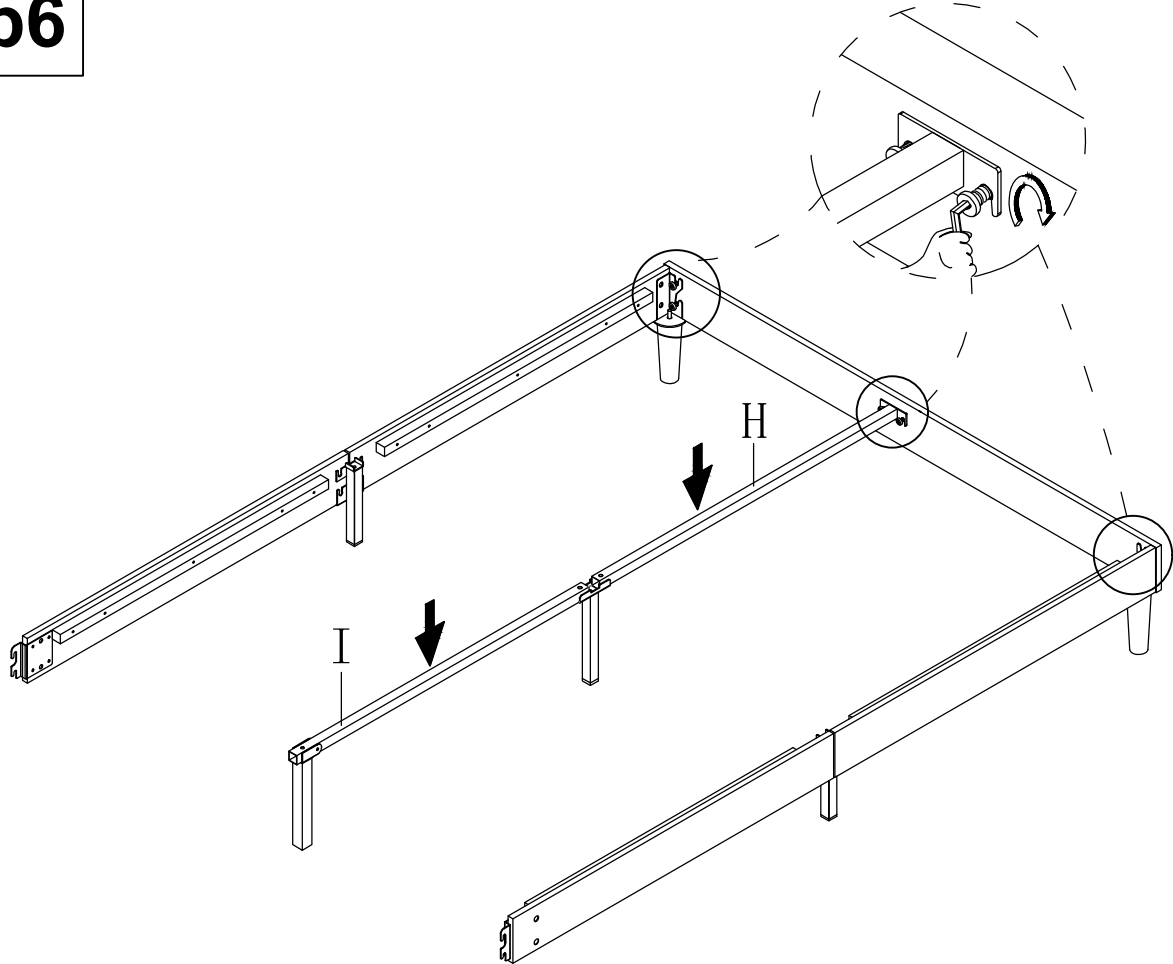


# step5

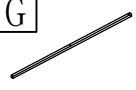
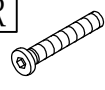
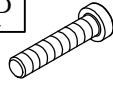
I	H	K	R
			
1PC	1PC	1PC	2PCS

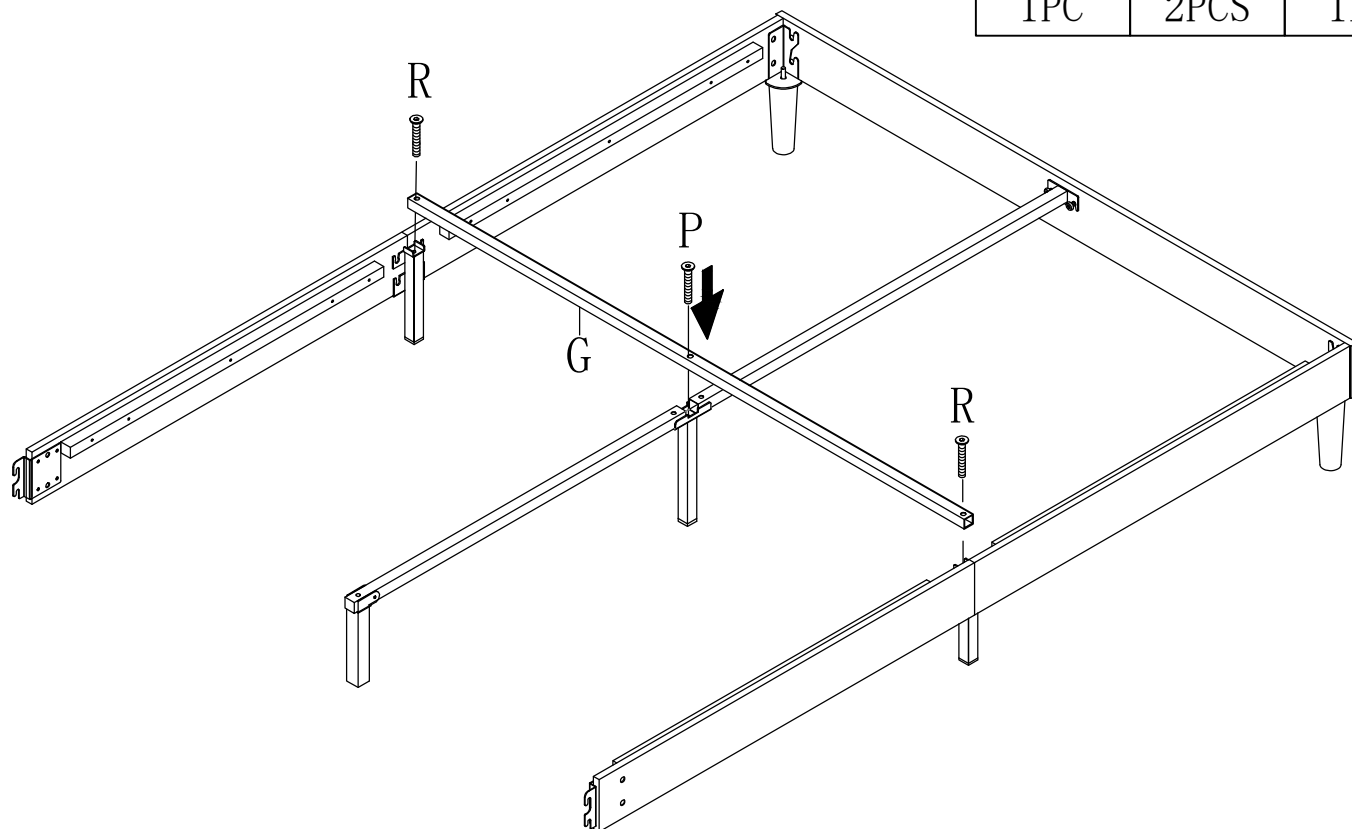


# step6

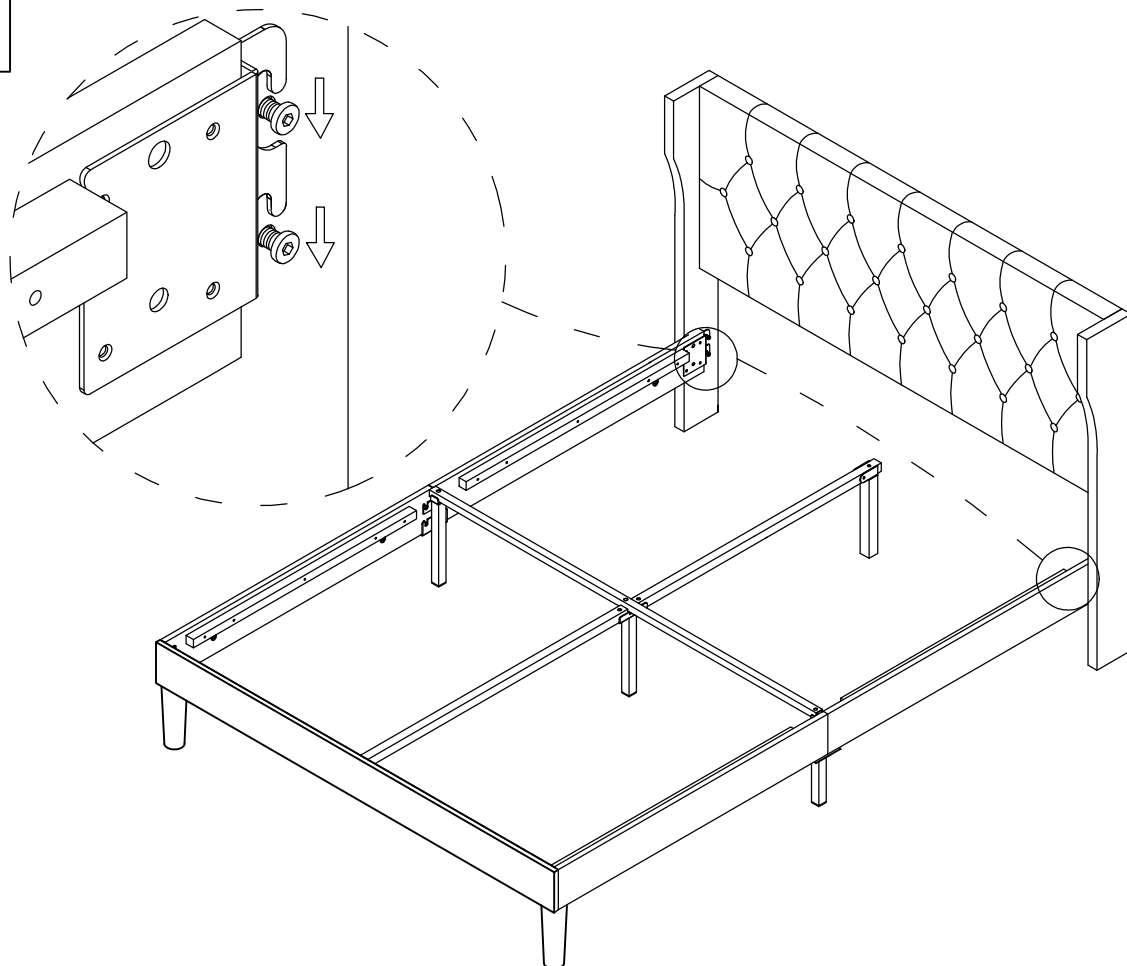


# step7

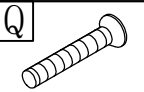
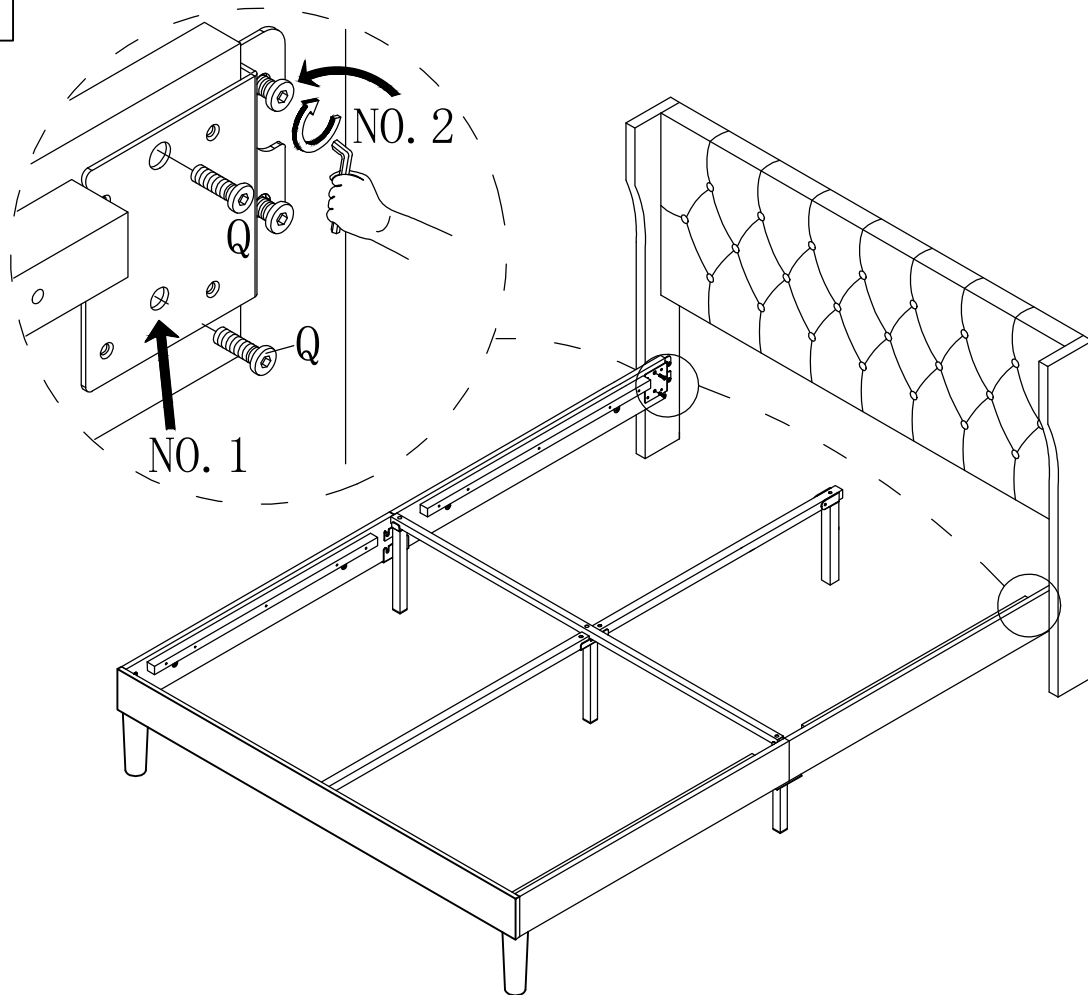
G	R	P
		
1PC	2PCS	1PC



# step8

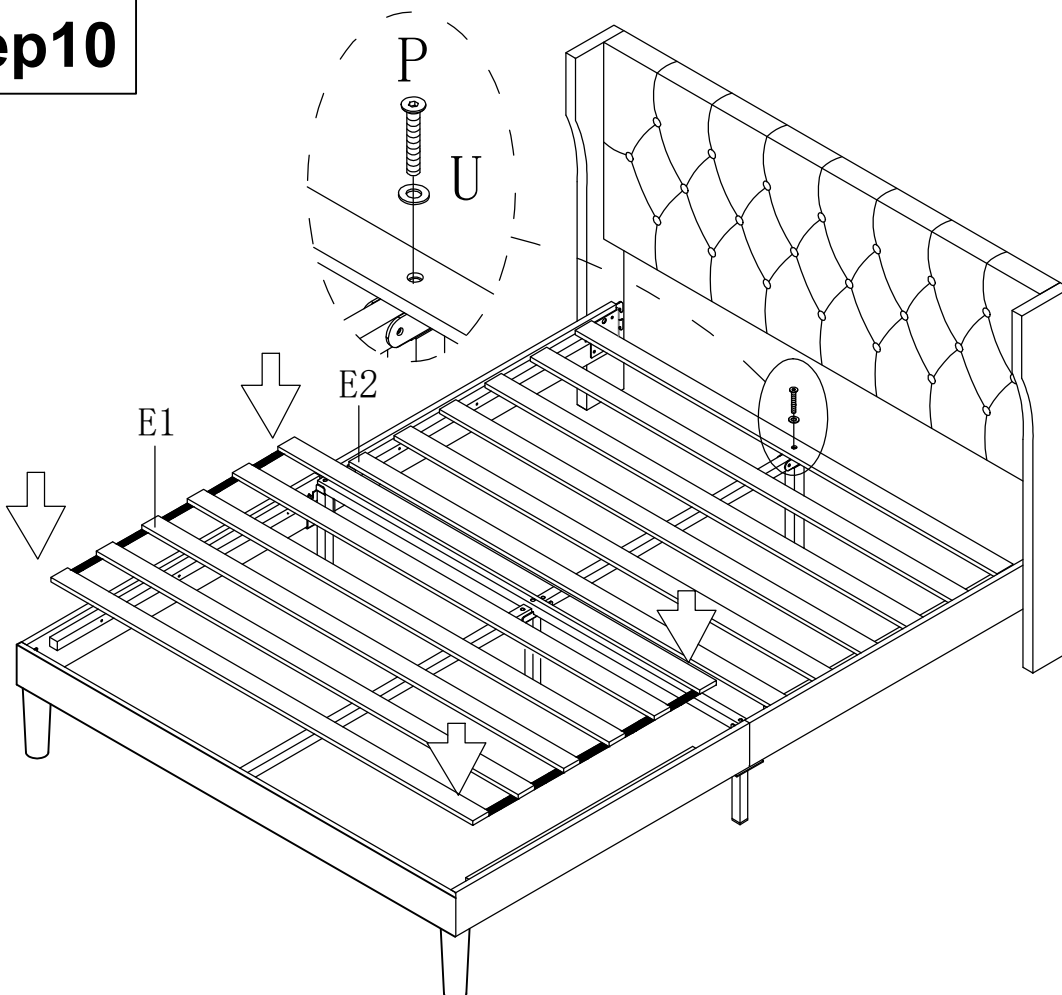


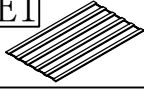
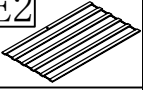
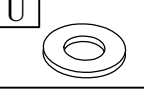
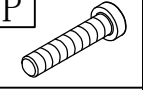
# step9



4PCS

# step10



E1	E2
	
1PC	1PC
U	P
	
1PC	1PC

**step11**

