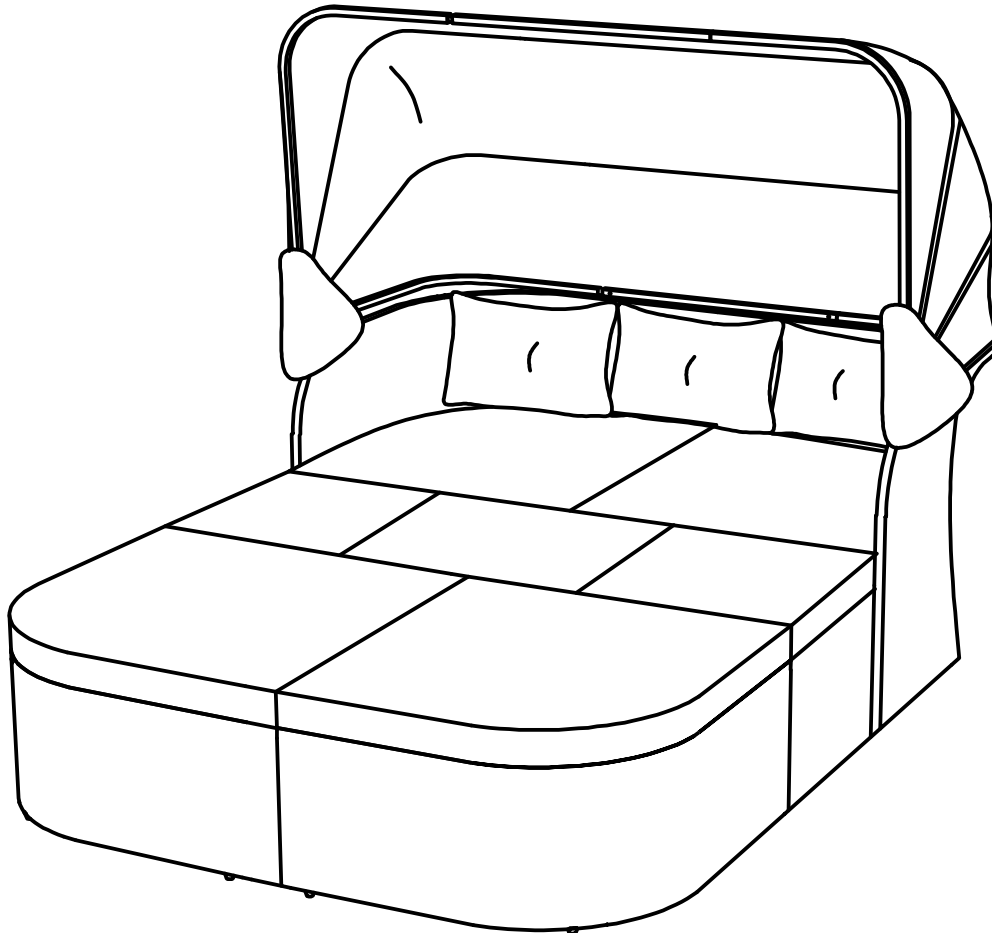


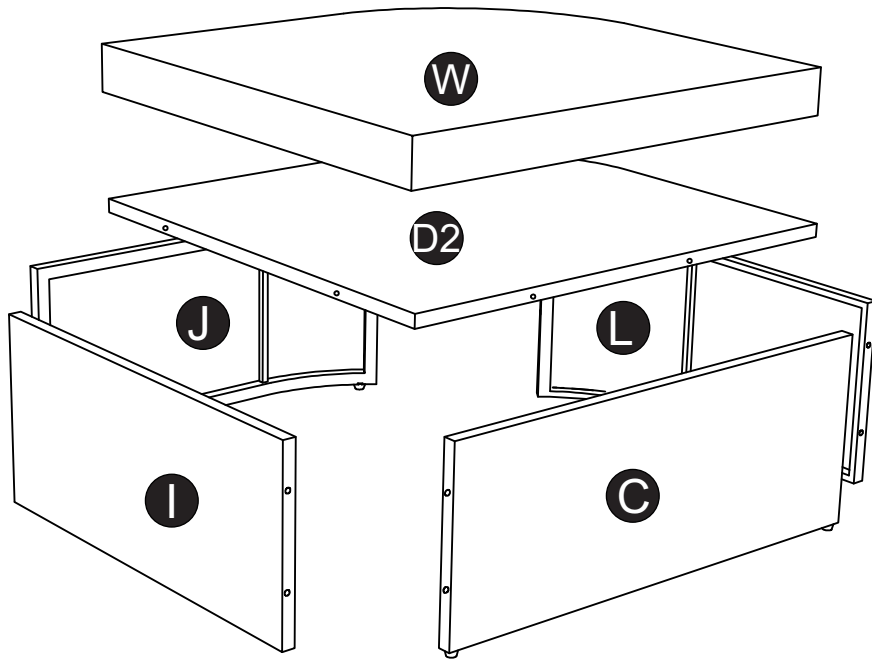
ASSEMBLY INSTRUCTION

SUN LOUNGER SET

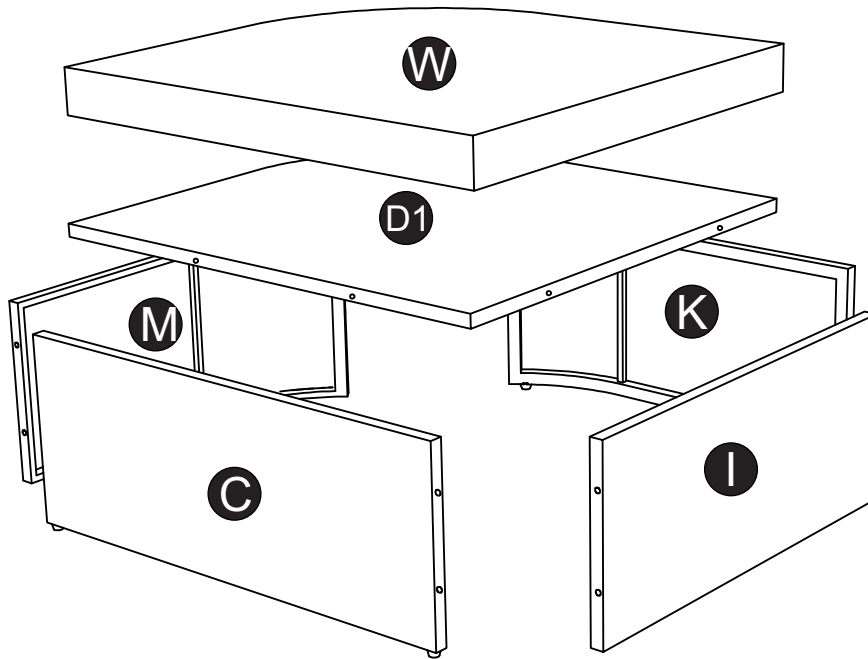


WF299597 ; WF299598 ; WF299599

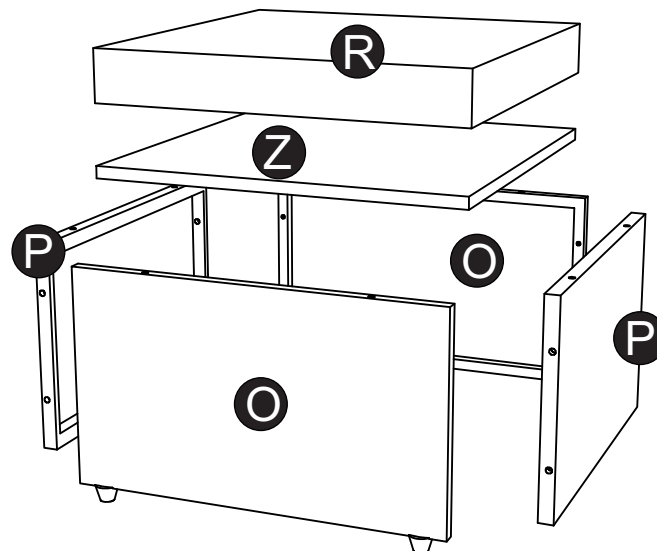
1. 50% Tighten before fixing all screws, Allen wrench is recommended instead of an electric drill.
2. Place the item on a flat ground to adjust and make sure it remains stable.
3. Tighten up all screws with tools gradually.
4. If the screws are not aligned with holes during assembly, please loosen all the other screws to 50% and continue the assembly process.
5. If the item is not stable, please loosen all the screws, adjust it on a flat ground and tighten up all screws again.
6. Note : If one or some screws are fully tightened during assembly, chances are the others will not be aligned with holes. In addition, all the holes are designed to be relatively larger to provide more space for the adjustment of the screws.



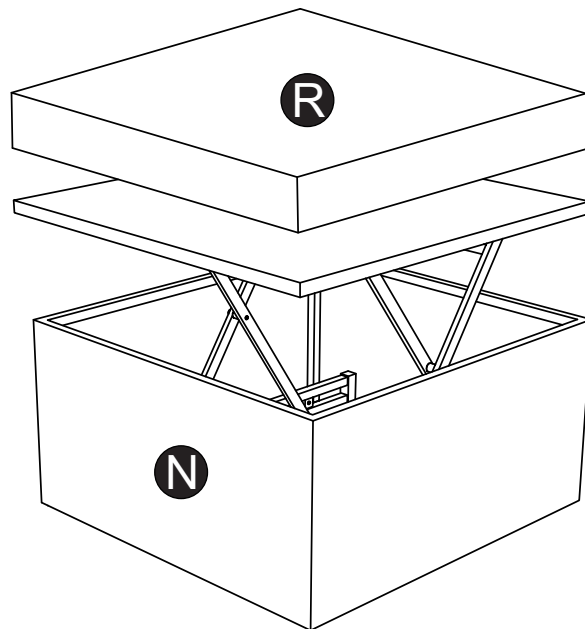
X1



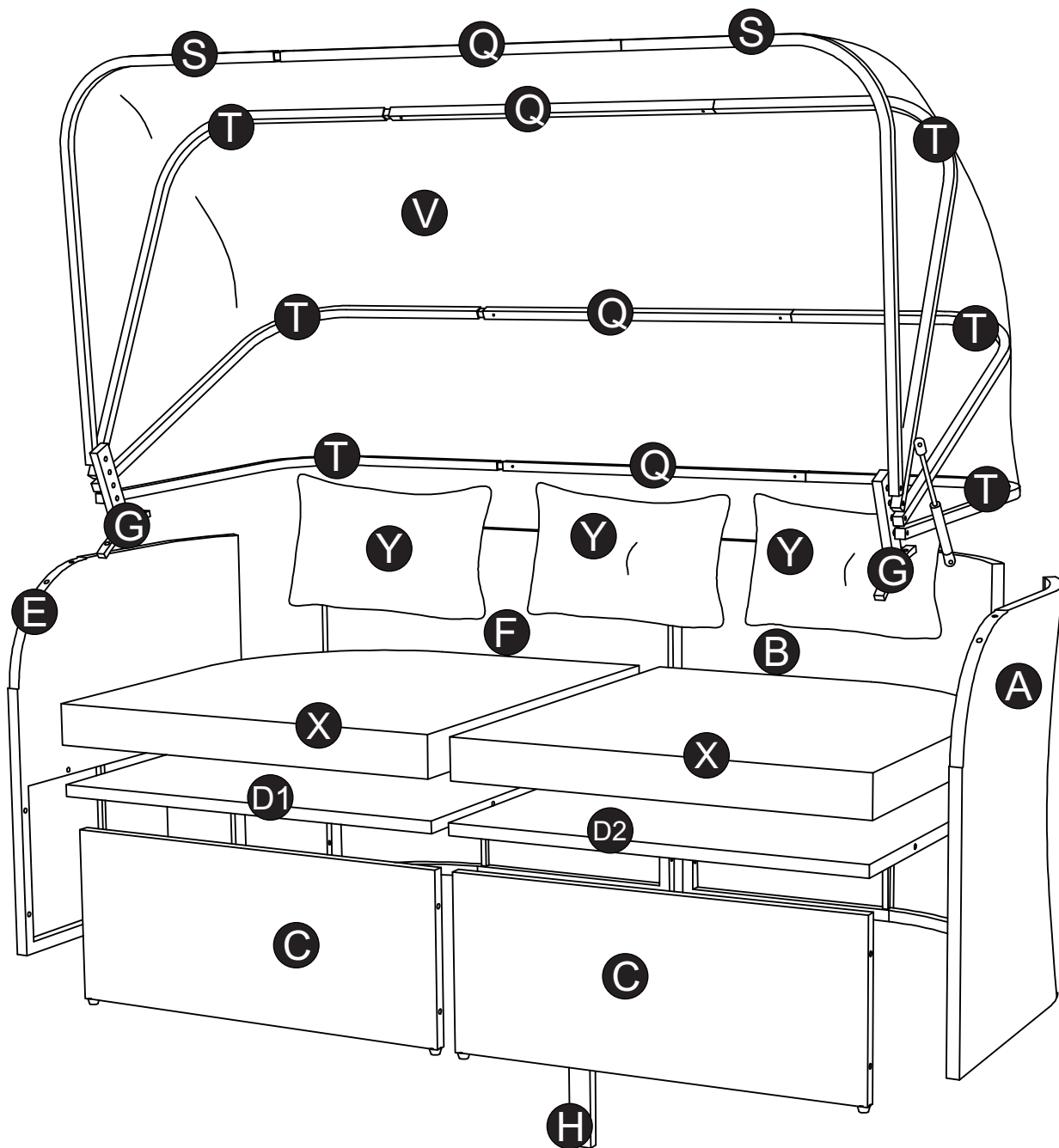
X1



X2

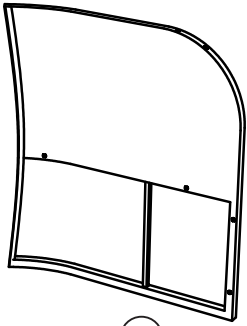


X1

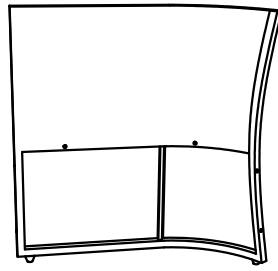


X1

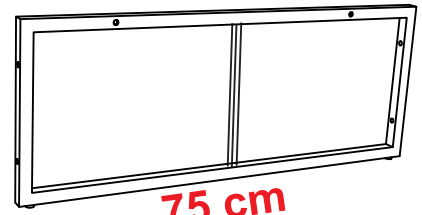
COMPONENTS:



(A) x1

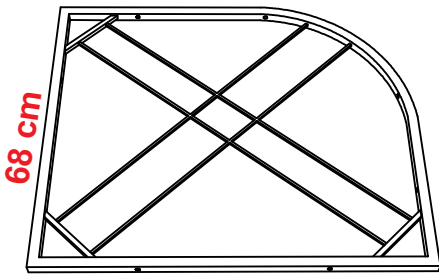


(B) x1



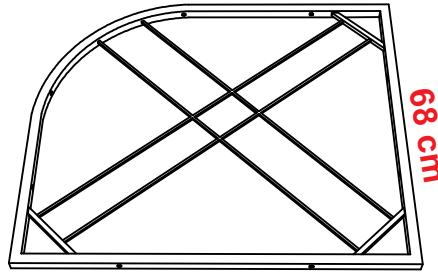
75 cm

(C) x4



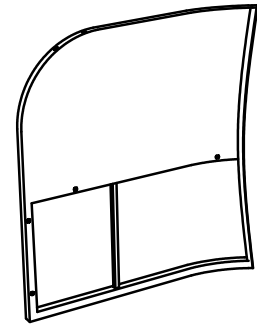
75 cm

(D1) x2

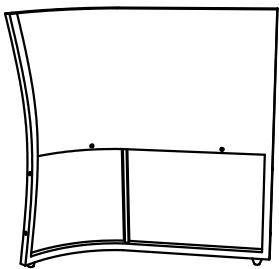


75 cm

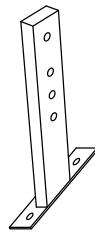
(D2) x2



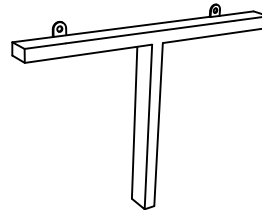
(E) x1



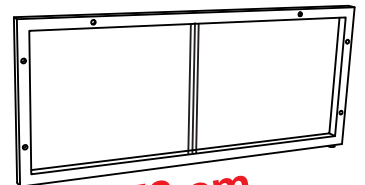
(F) x1



(G) x2

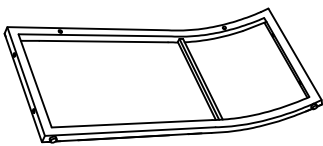


(H) x1

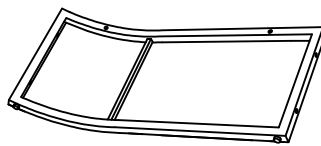


72 cm

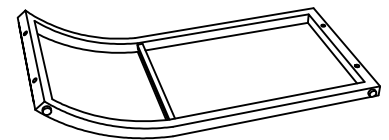
(I) x2



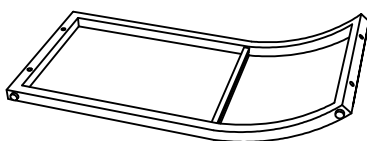
(J) x1



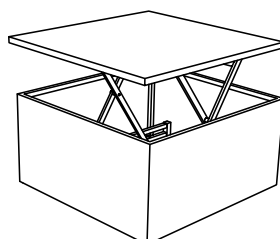
(K) x1



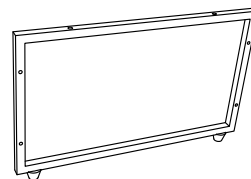
(L) x1



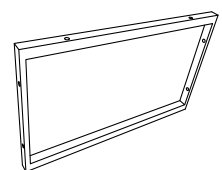
(M) x1



(N) x1



(O) x4

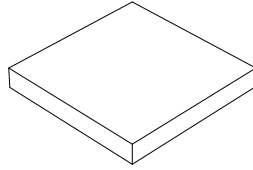


(P) x4

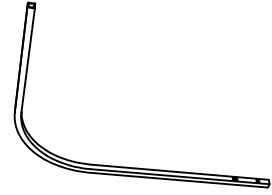
COMPONENTS:



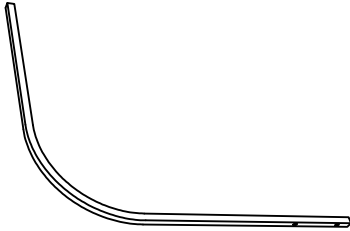
Q x4



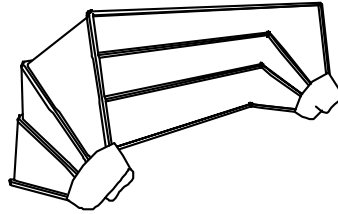
R x3



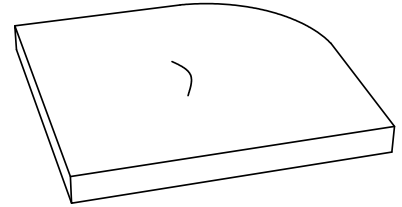
S x2



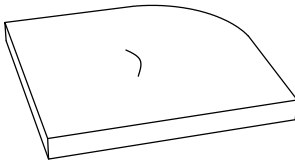
T x6



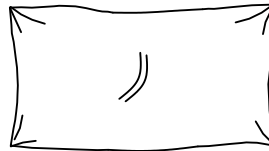
V x1



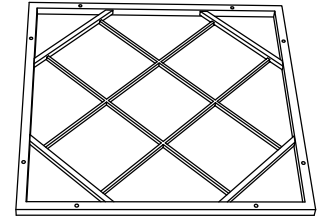
W x2



X x2



Y x3



Z x2

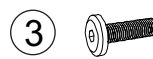
HARDWARE:



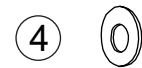
Bolt M6x40mm = 62 pcs



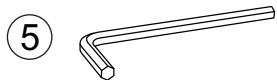
Bolt M6x30mm = 18 pcs



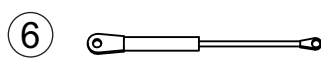
Bolt M6x20mm = 10 pcs



Washer = 136 pcs



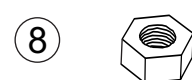
Allenkey = 2 pcs



Air Lifter 160N = 2 pcs



Plastic shackles = 10 pcs



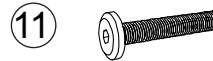
Nuts = 14 pcs



Screw = 8 pcs



Wrench = 1 pcs



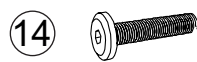
Bolt M6x60mm = 14 pcs



Plastic washer 1mm = 10 pcs



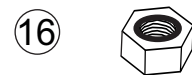
Plastic washer 5mm = 18 pcs



Bolt M6x50mm = 8 pcs



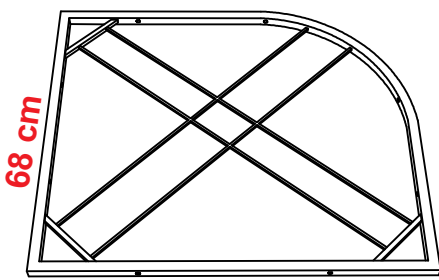
Connector = 3 pcs



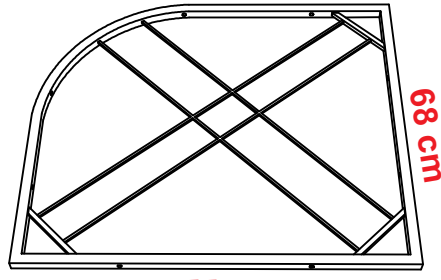
O-ring Nuts = 10 pcs

CARTON CONTENT:

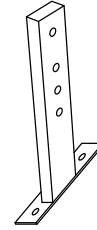
WF299597



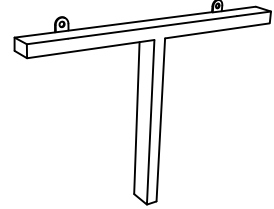
Ⓓ1 x2



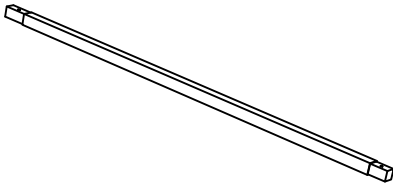
Ⓓ2 x2



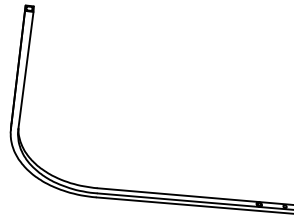
Ⓖ x2



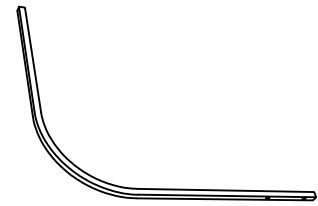
Ⓕ x1



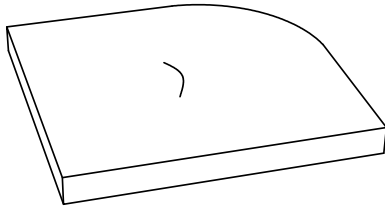
Ⓖ x4



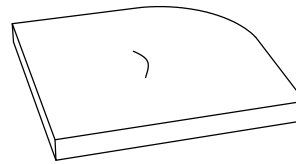
Ⓒ x2



Ⓓ x6

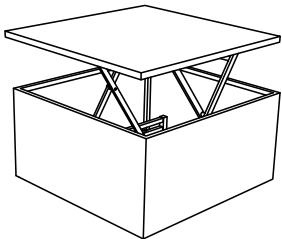


Ⓖ x2

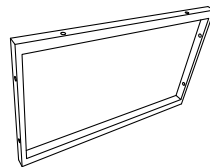


Ⓖ x2

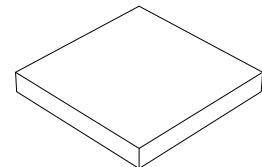
WF299598



Ⓖ x1



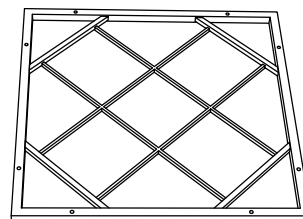
Ⓖ x4



Ⓖ x3



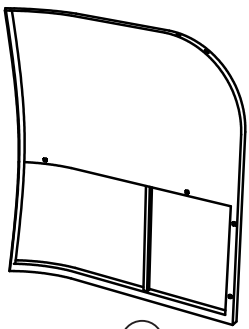
Ⓖ x2



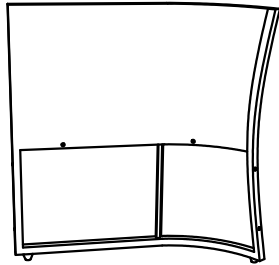
Ⓖ x2

CARTON CONTENT:

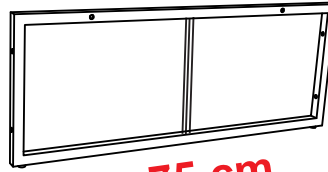
WF299599



Ⓐ x1

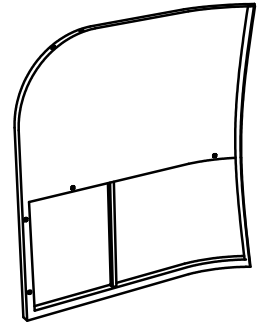


Ⓑ x1

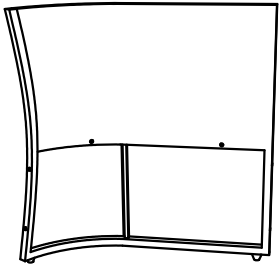


75 cm

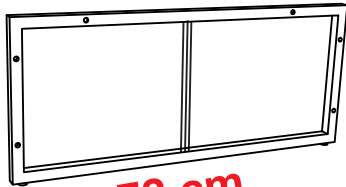
Ⓒ x4



Ⓔ x1

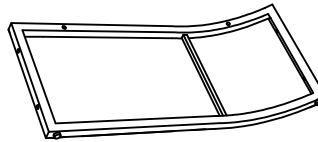


Ⓕ x1

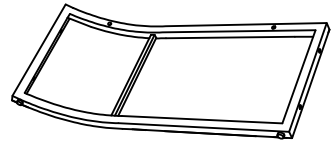


72 cm

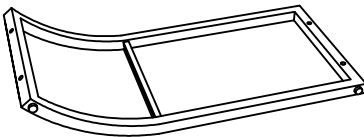
Ⓘ x2



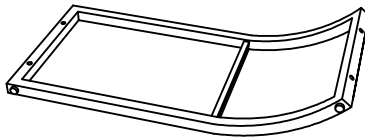
Ⓙ x1



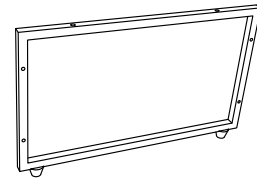
Ⓚ x1



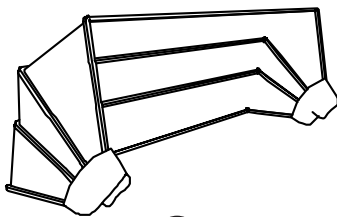
Ⓛ x1



Ⓜ x1



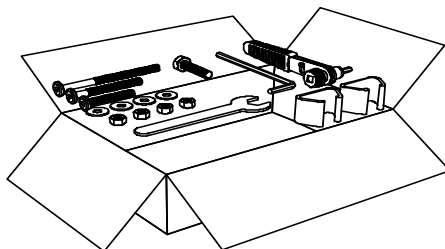
Ⓞ x4



Ⓥ x1



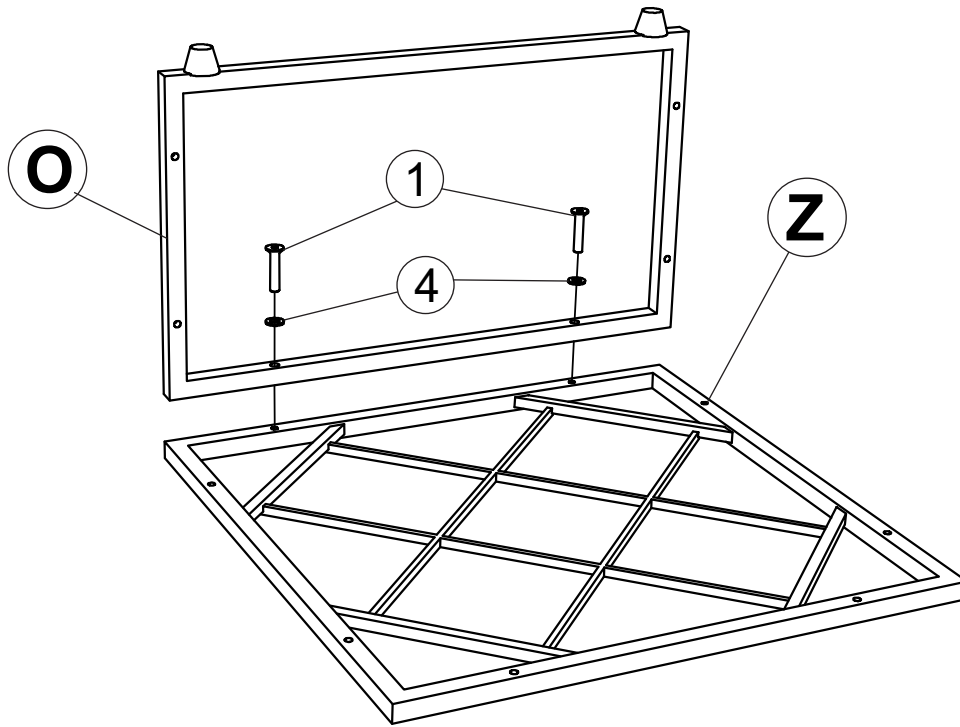
Ⓨ x1



AI INCLUDED BOX-WF299599

Step 1:

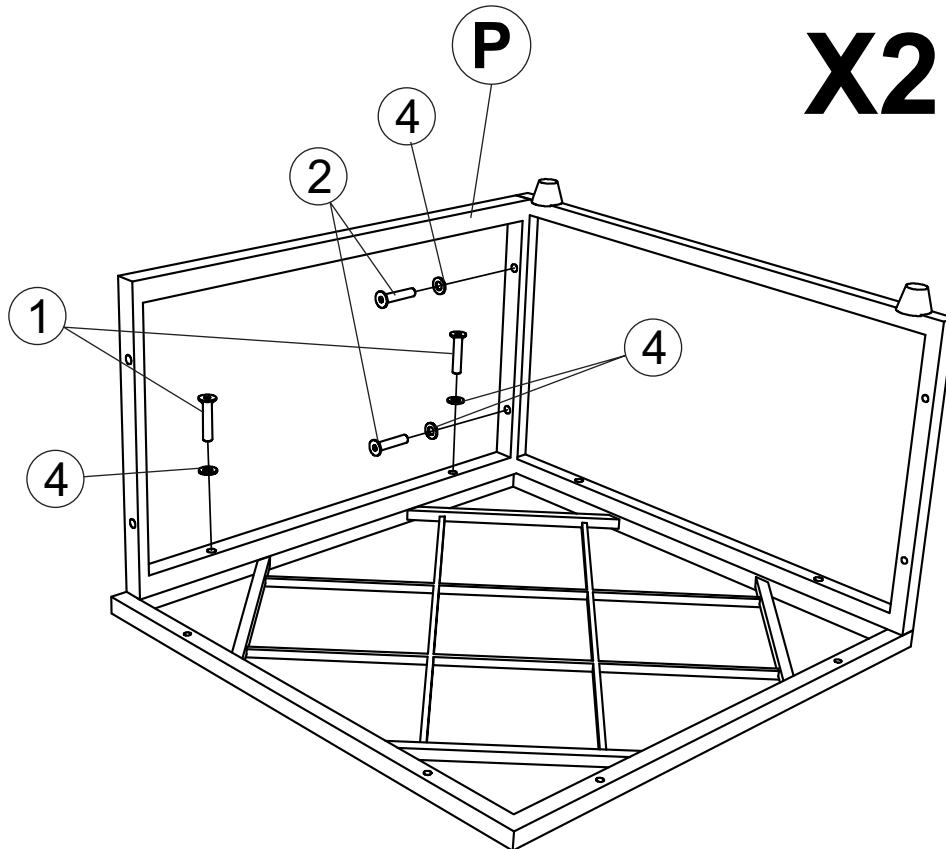
X2



- ①*2
- ④*2
- ①*1
- ①*1

Step 2:

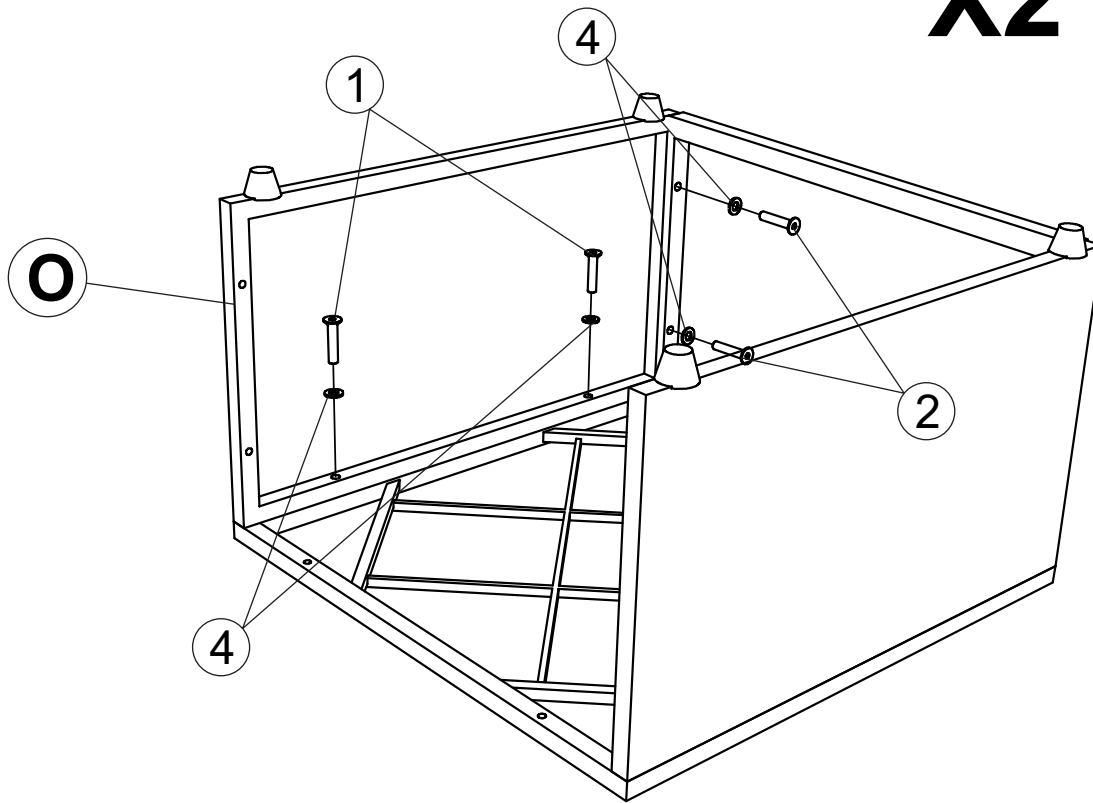
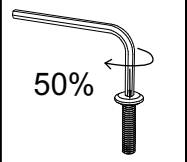
X2



- ①*2
- ②*2
- ④*4
- ①*1

Step 3:

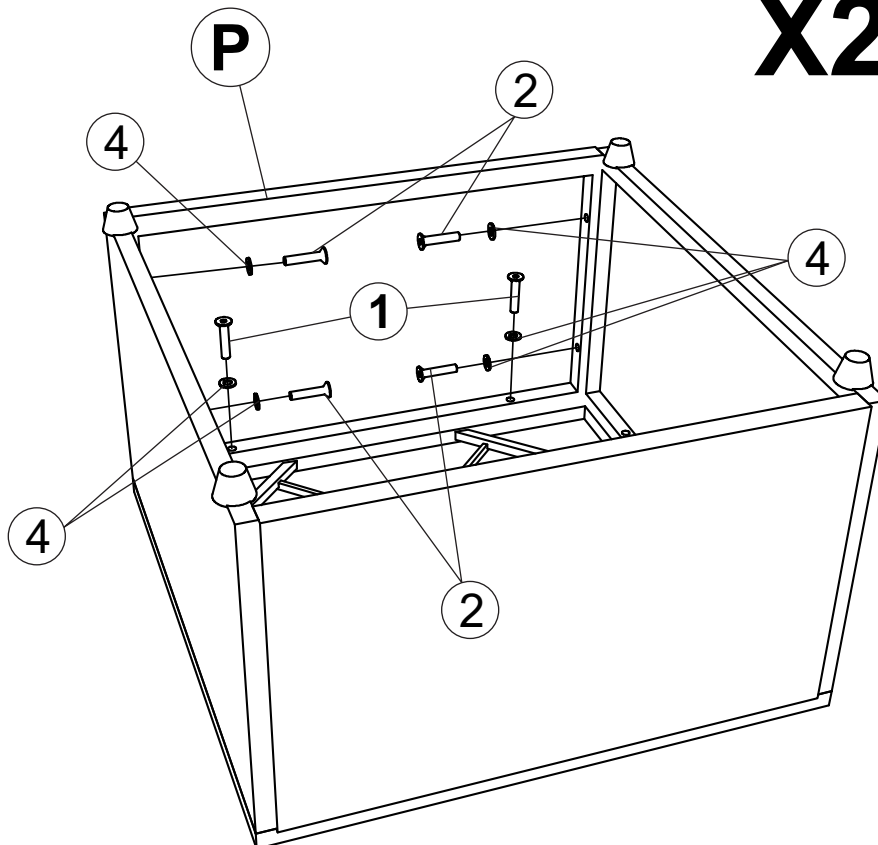
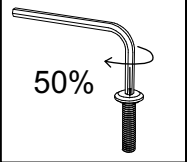
X2



- ①*2
- ②*2
- ④*4
- *1

Step 4:

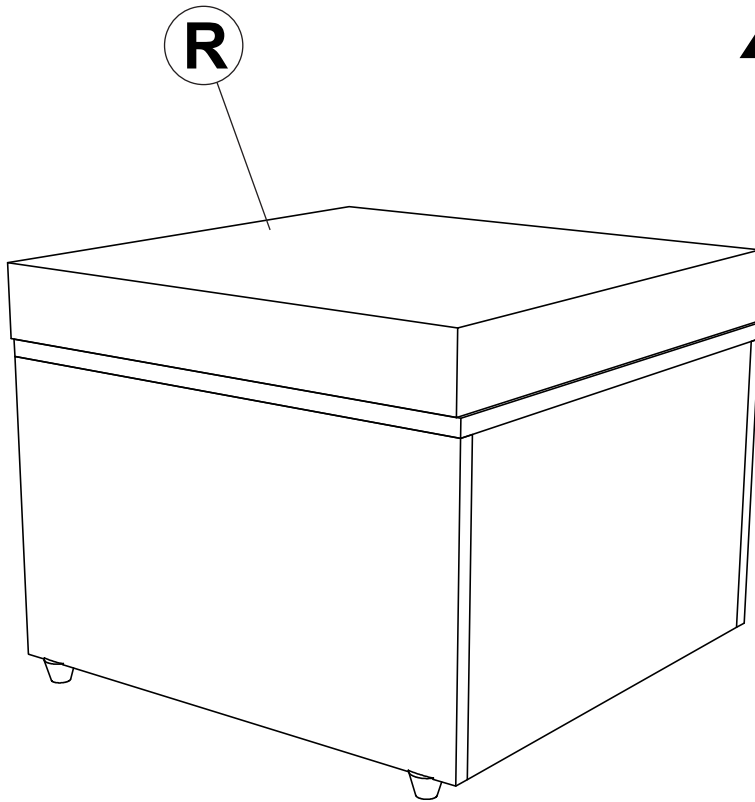
X2



- ①*2
- ②*4
- ④*6
- P*1

Step 5:

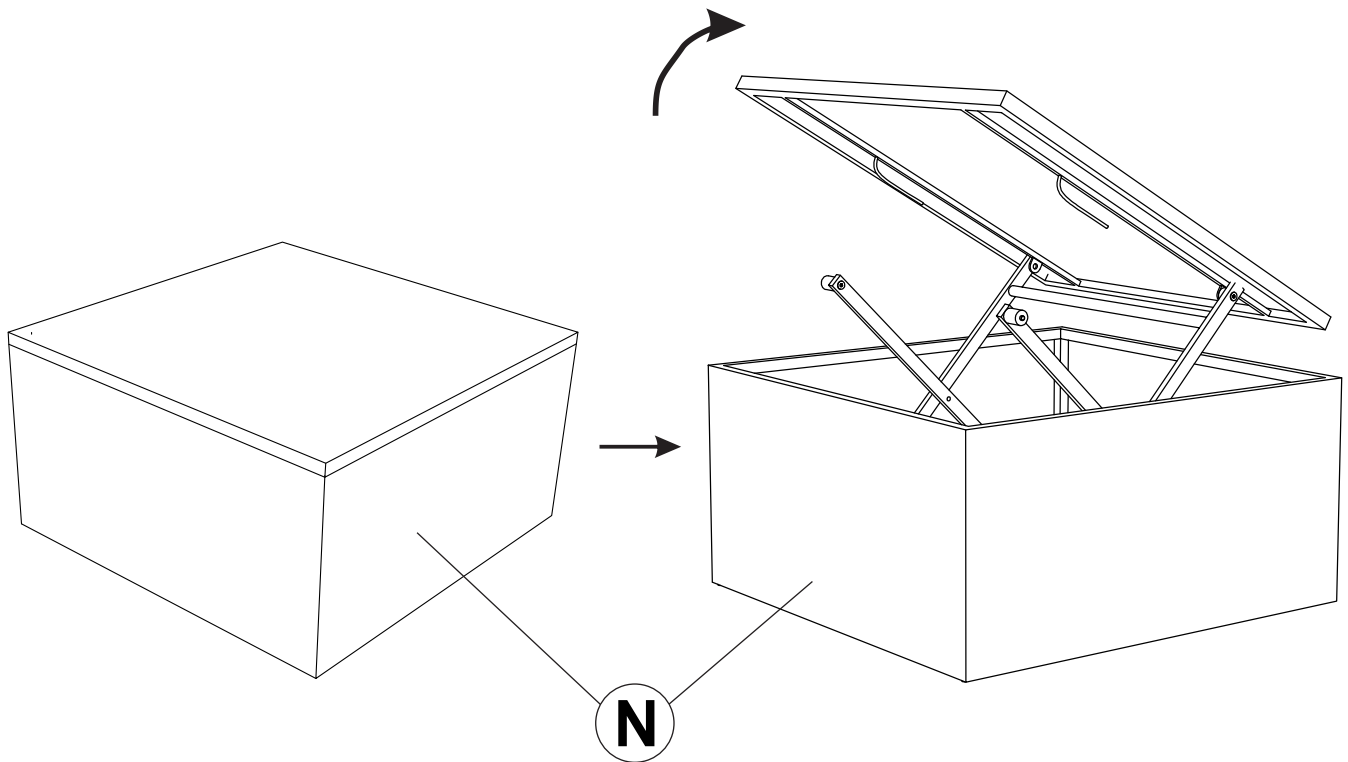
X2



R*1

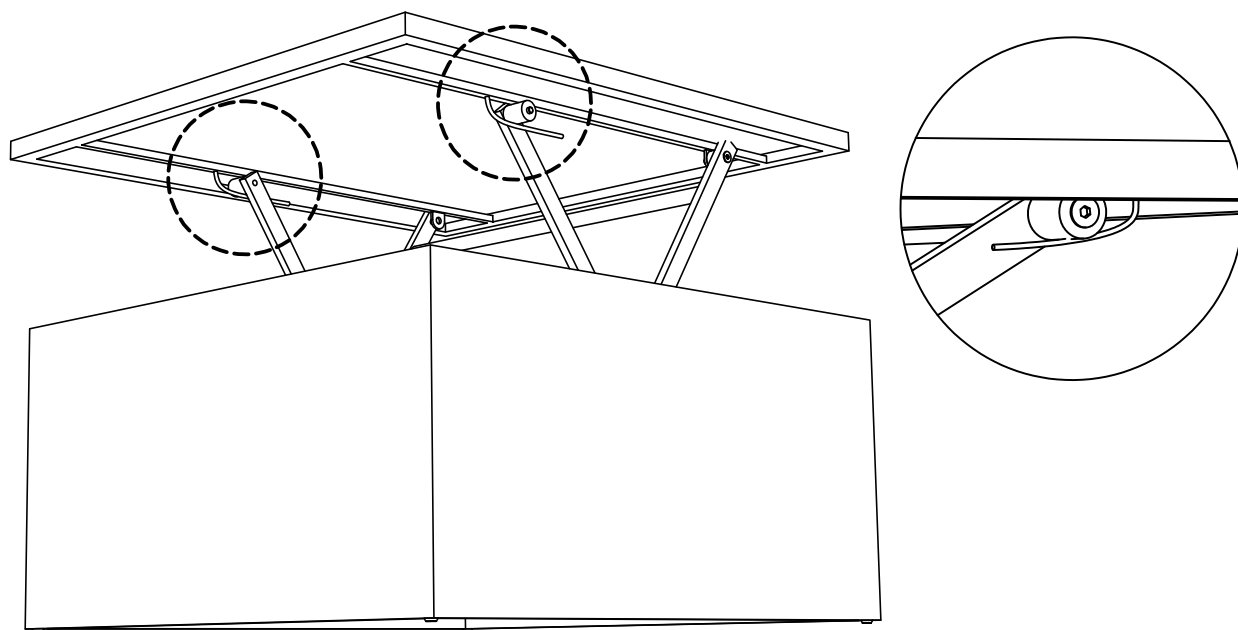
Step 6:

Pull up the table top and steel bars



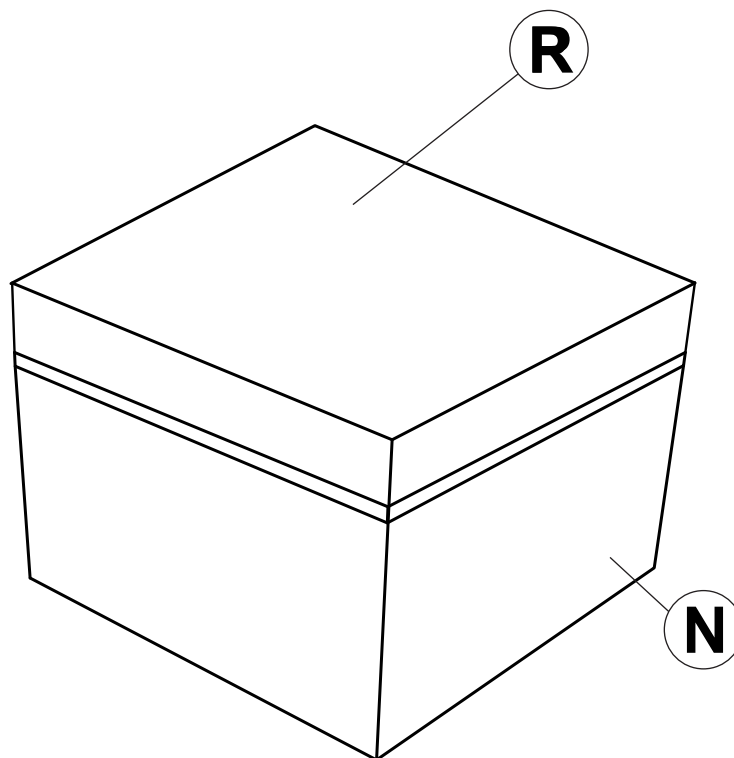
N*1

Step 7:



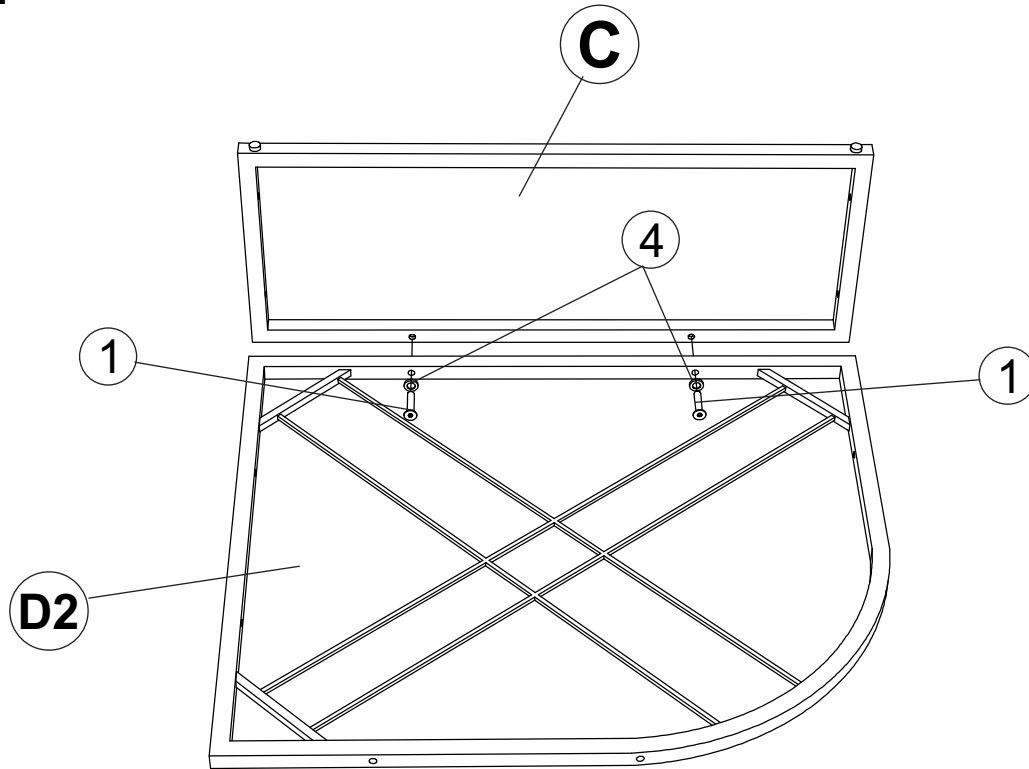
Put Plastic Wheel into the position

Step 8:



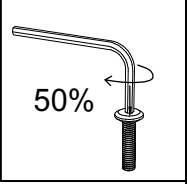
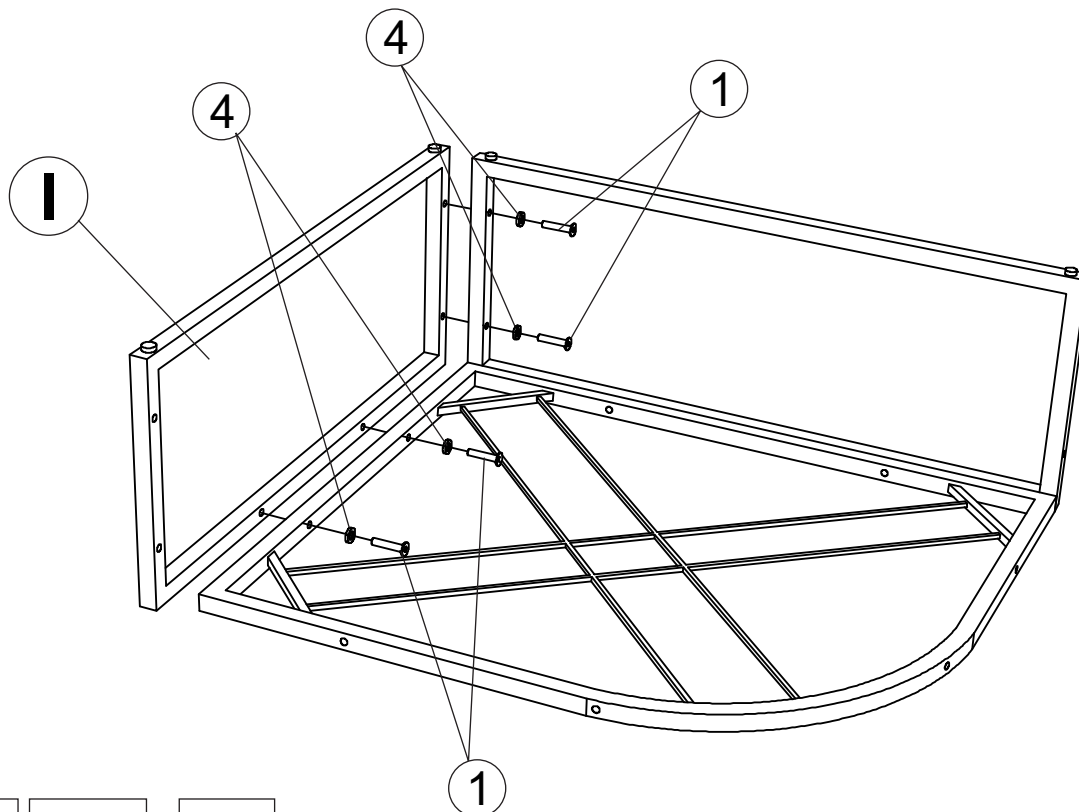
R*1

Step 9:



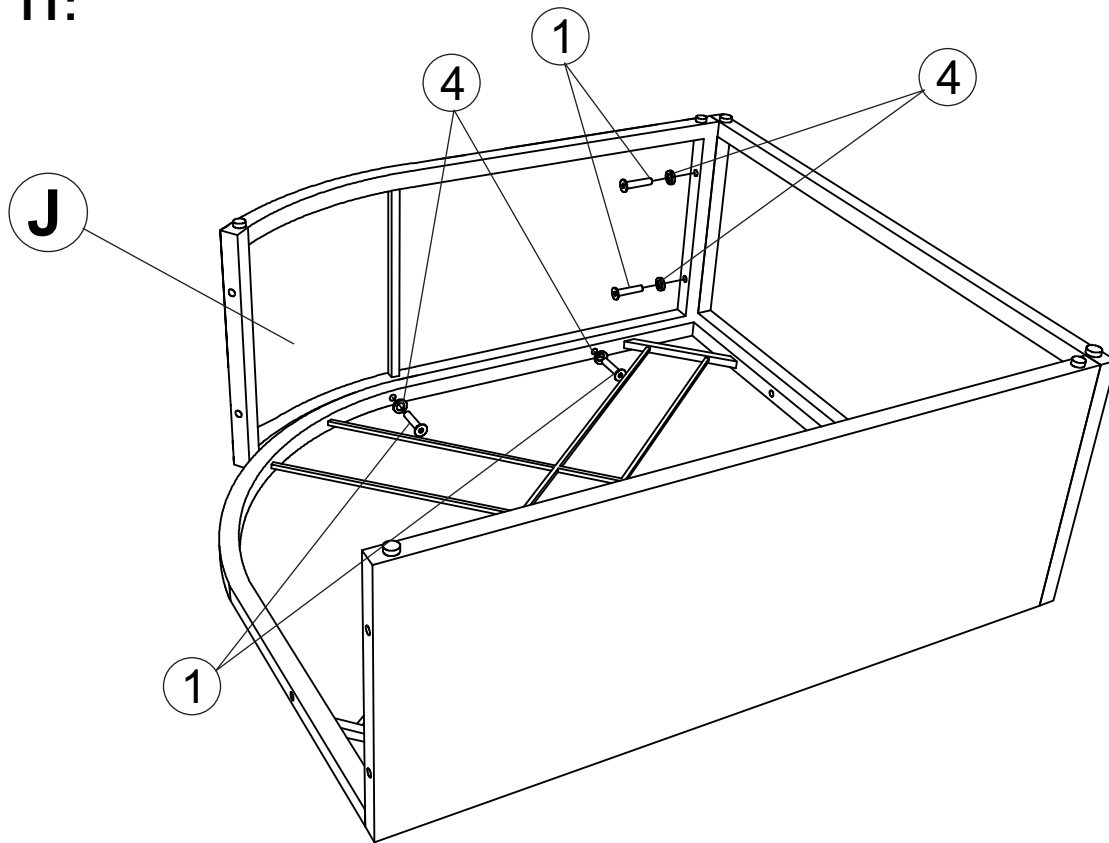
- ①*2
- ④*2
- D2*1
- C*1

Step 10:



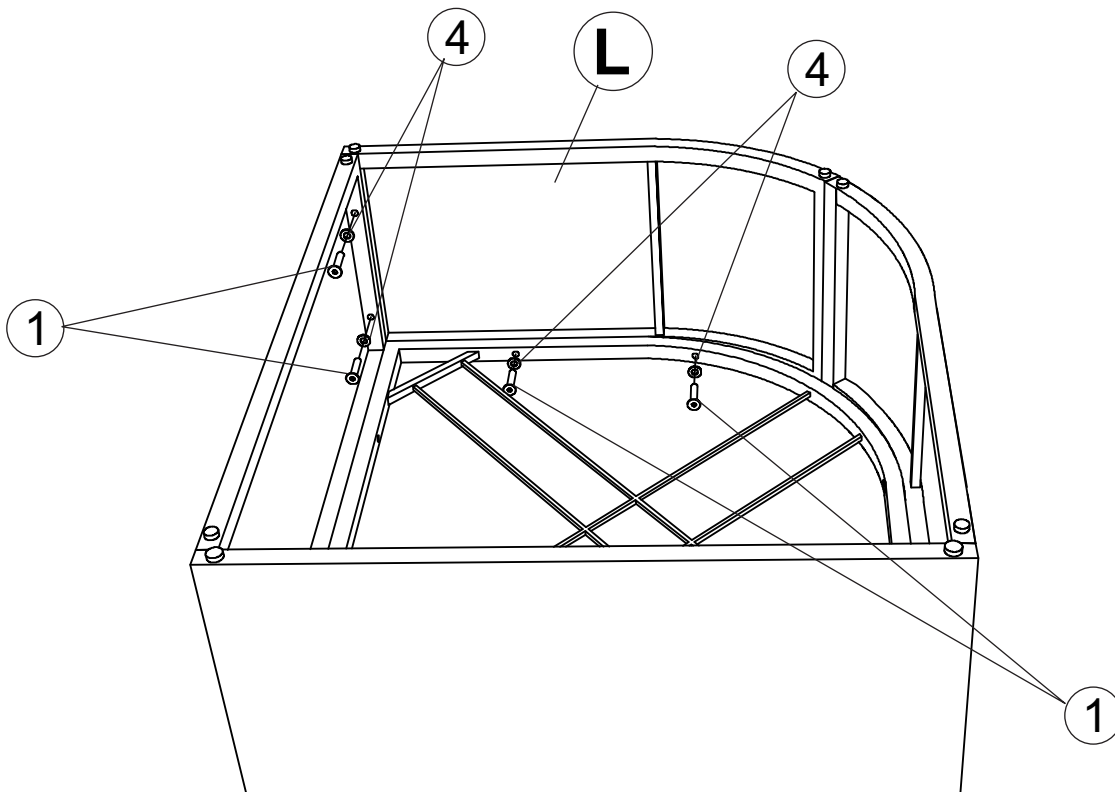
- ①*2
- ④*2
- I*1

Step 11:



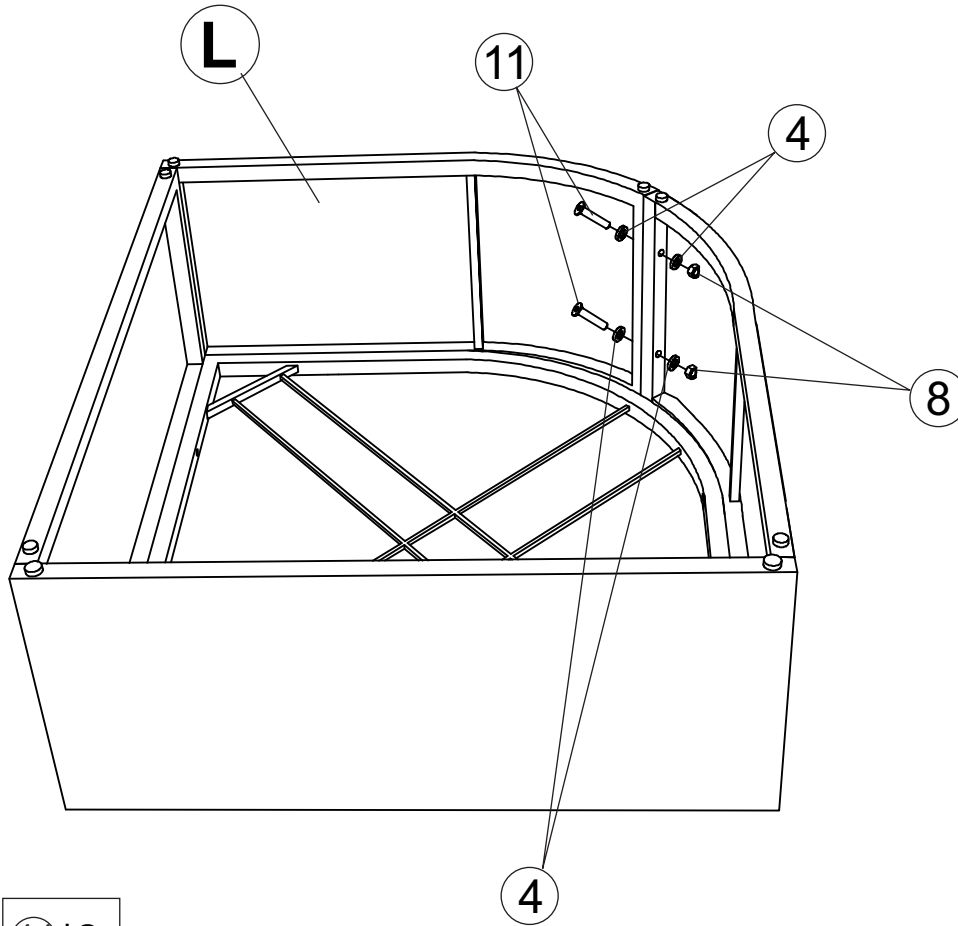
①*4 ④*4 J*1

Step 12:



①*4 ④*4 L*1

Step 13:

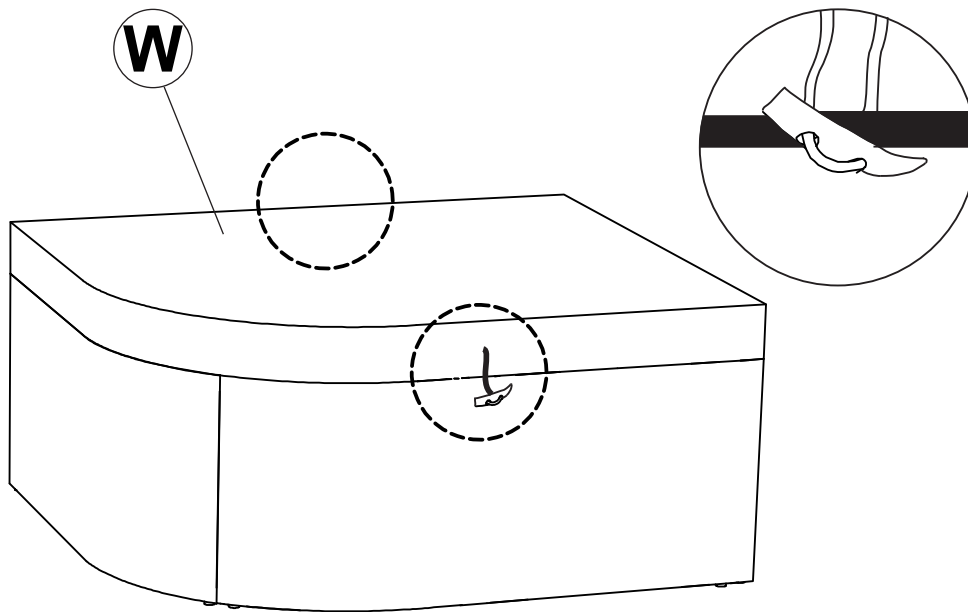


4*4

8*2

11*2

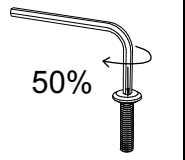
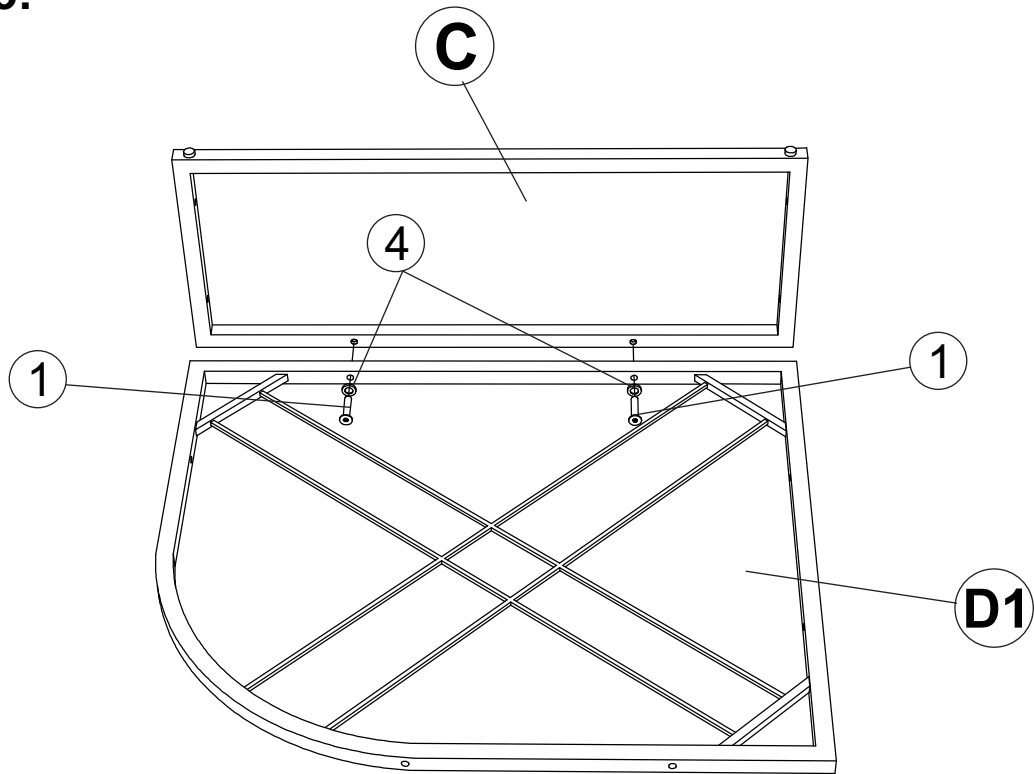
Step 14:



Put the knots into the rattans to keep the cushion tight

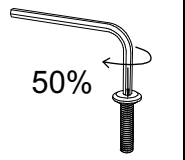
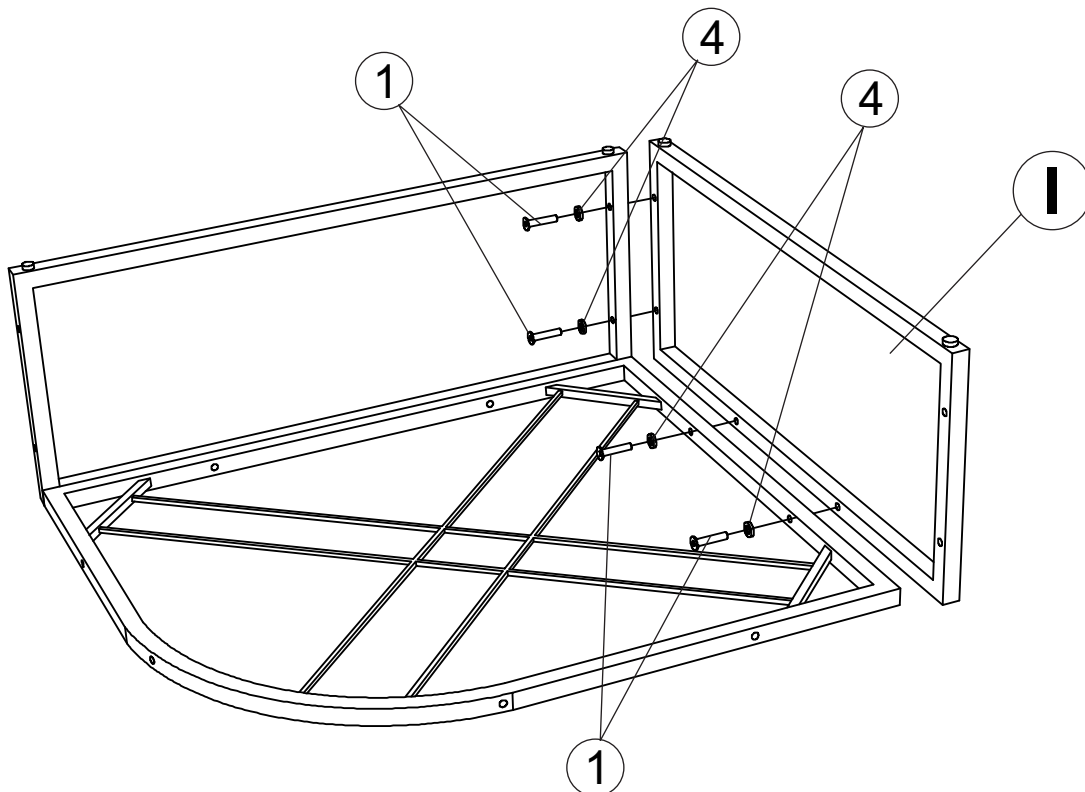
W*1

Step 15:



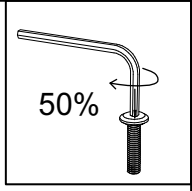
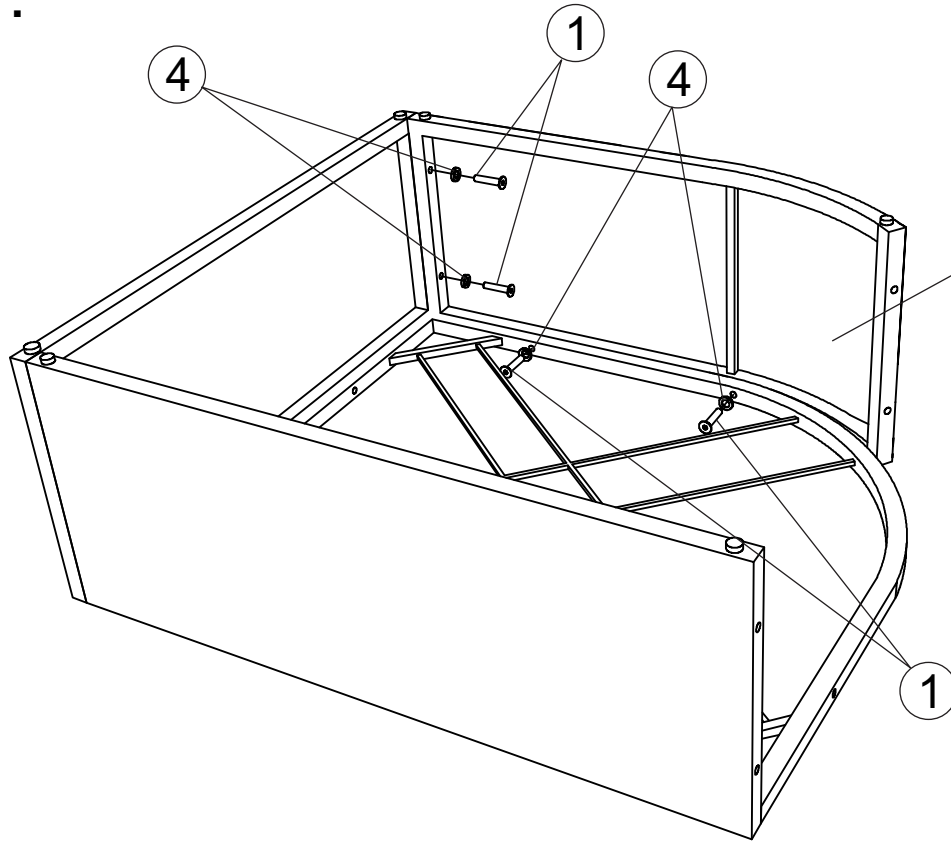
①*2 ④*2 D1*1 C*1

Step 16:



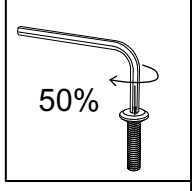
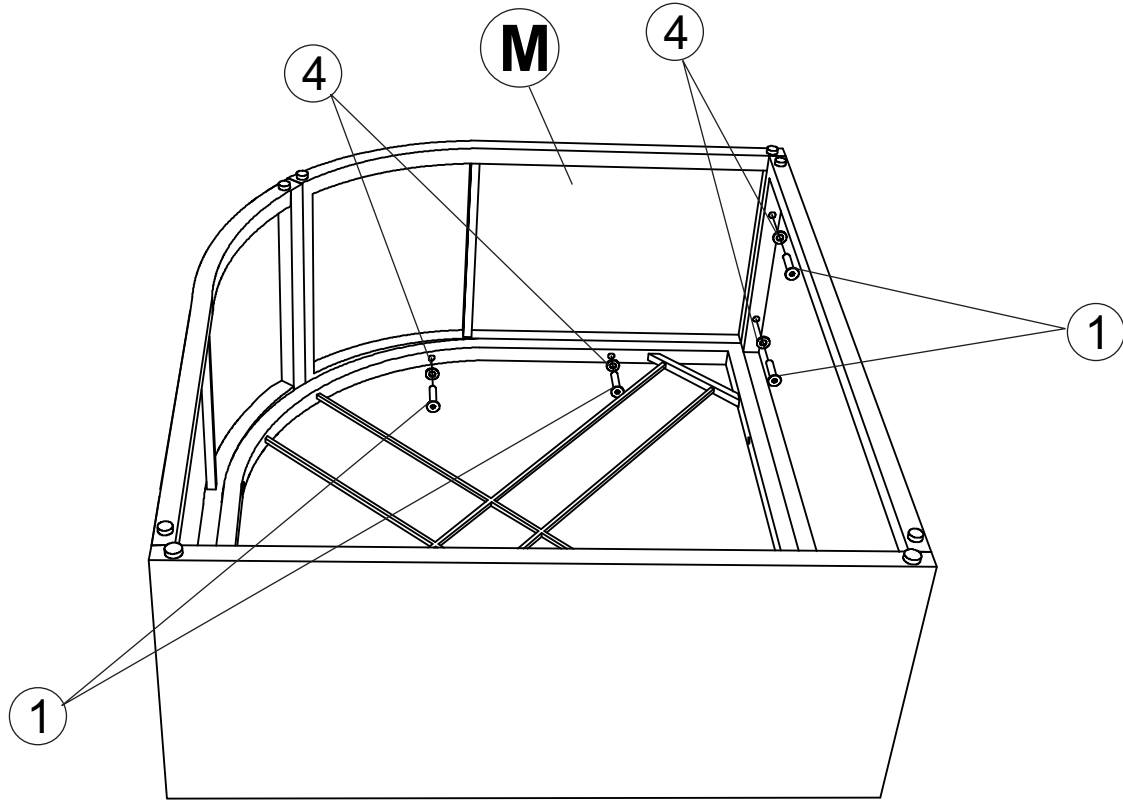
①*4 ④*4 I*1

Step 17:



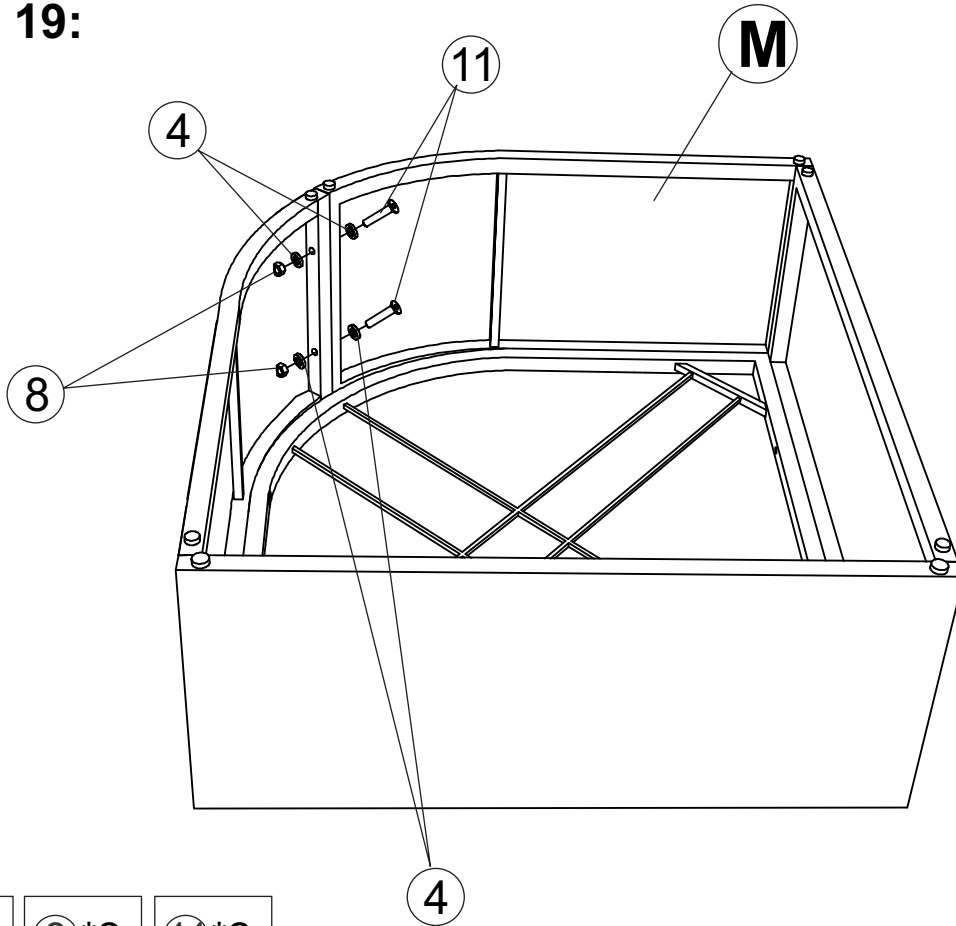
- ①*4
- ④*4
- K*1

Step 18:



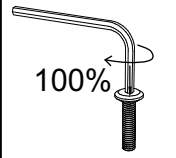
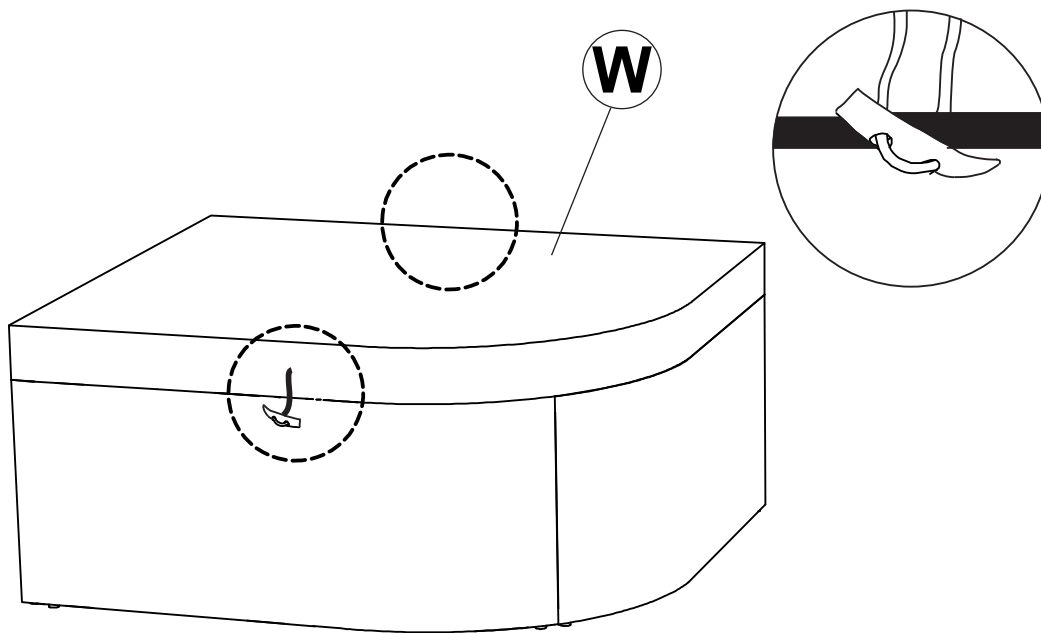
- ①*4
- ④*4
- M*1

Step 19:



- ④*4
- ⑧*2
- ⑪*2

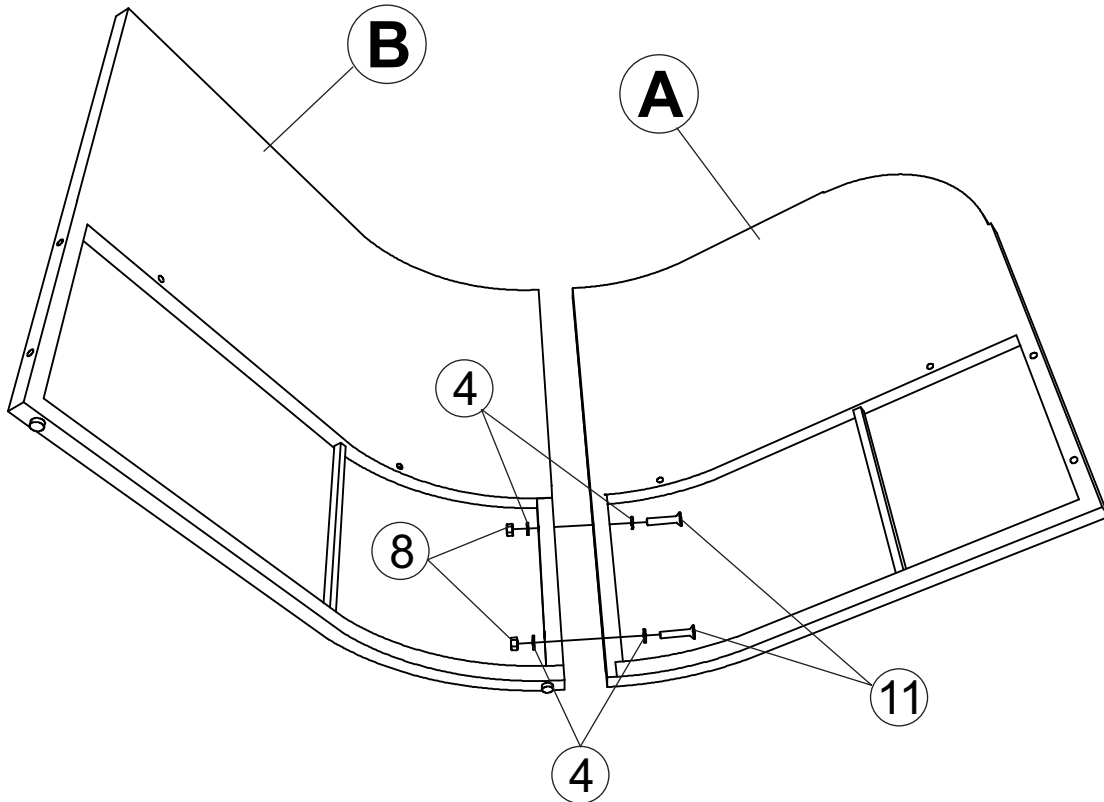
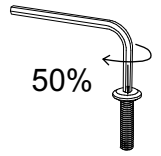
Step 20:



Put the knots into the rattans to keep the cushion tight

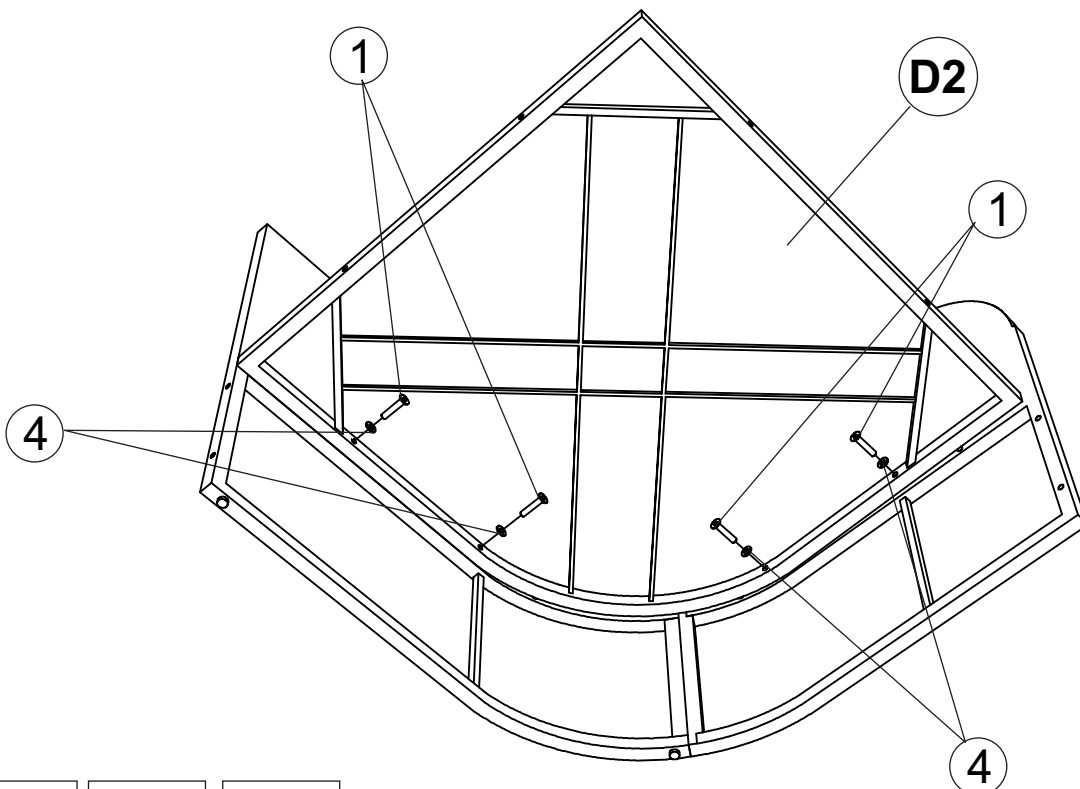
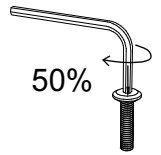
- W*1

Step 21:



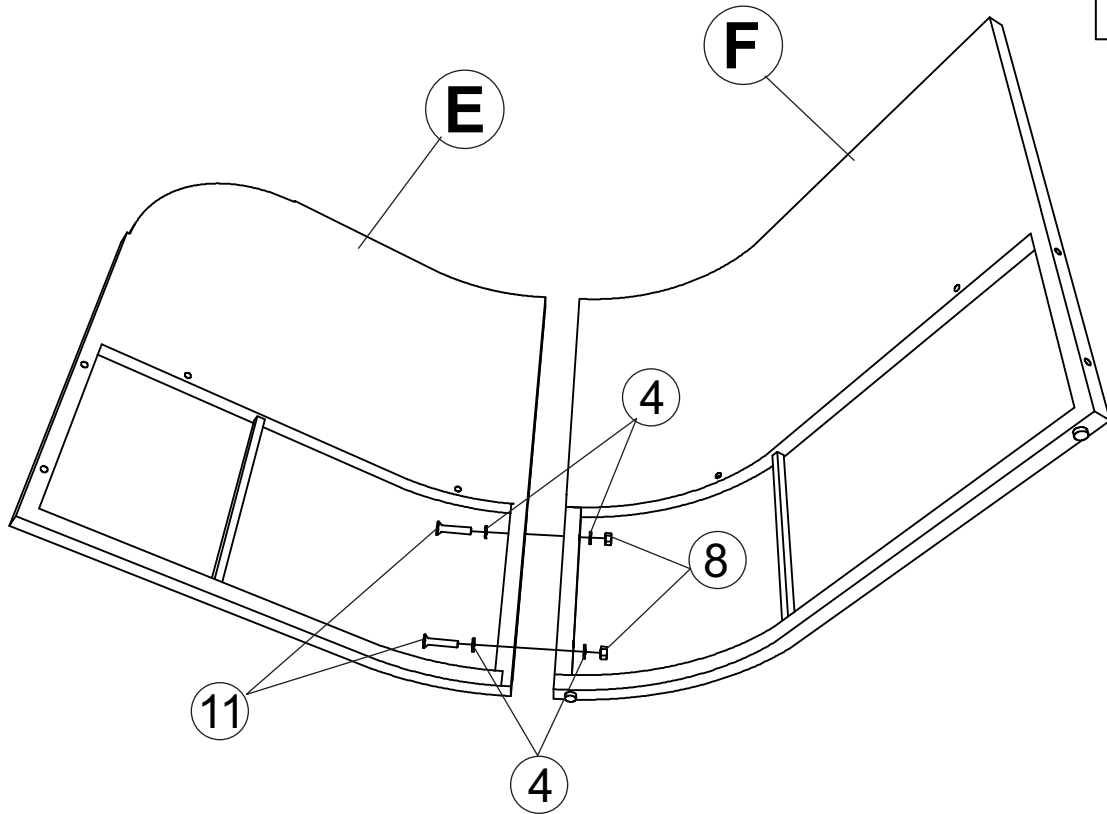
- | | | | | |
|-----|-----|-----|-----|-----|
| ④*4 | ⑧*2 | ⑪*2 | A*1 | B*1 |
|-----|-----|-----|-----|-----|

Step 22:



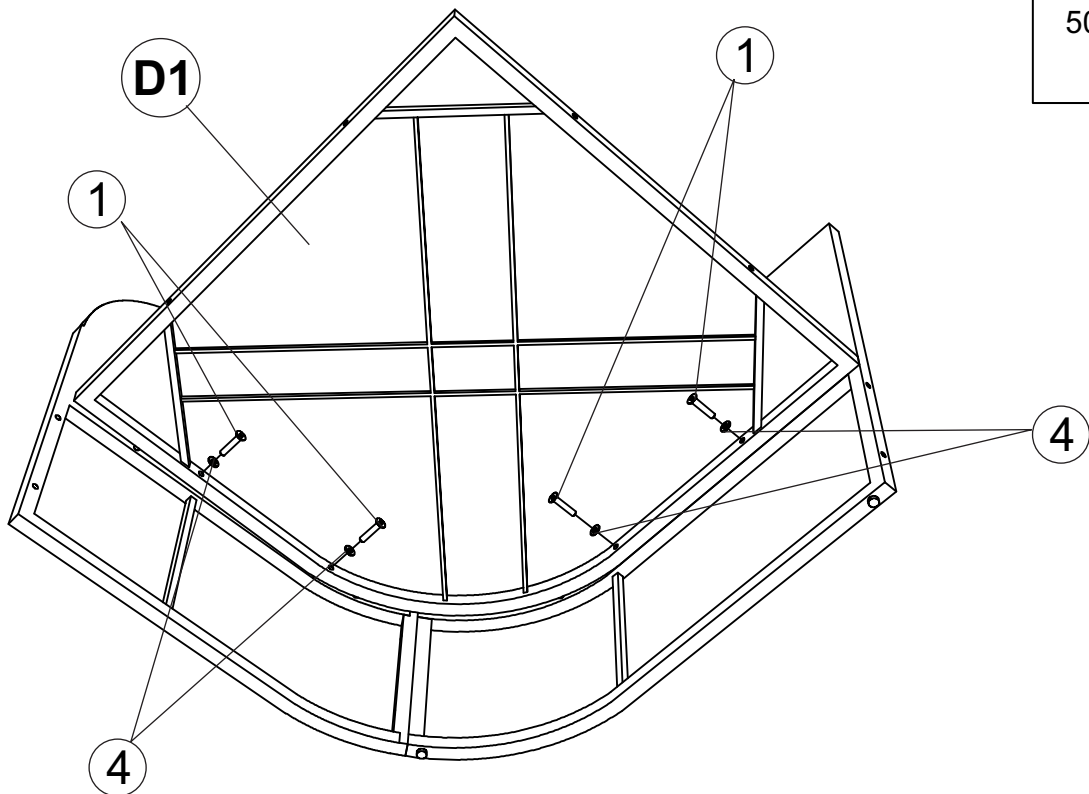
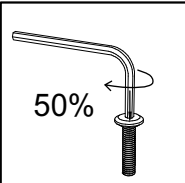
- | | | |
|-----|-----|------|
| ①*4 | ④*4 | D2*1 |
|-----|-----|------|

Step 23:



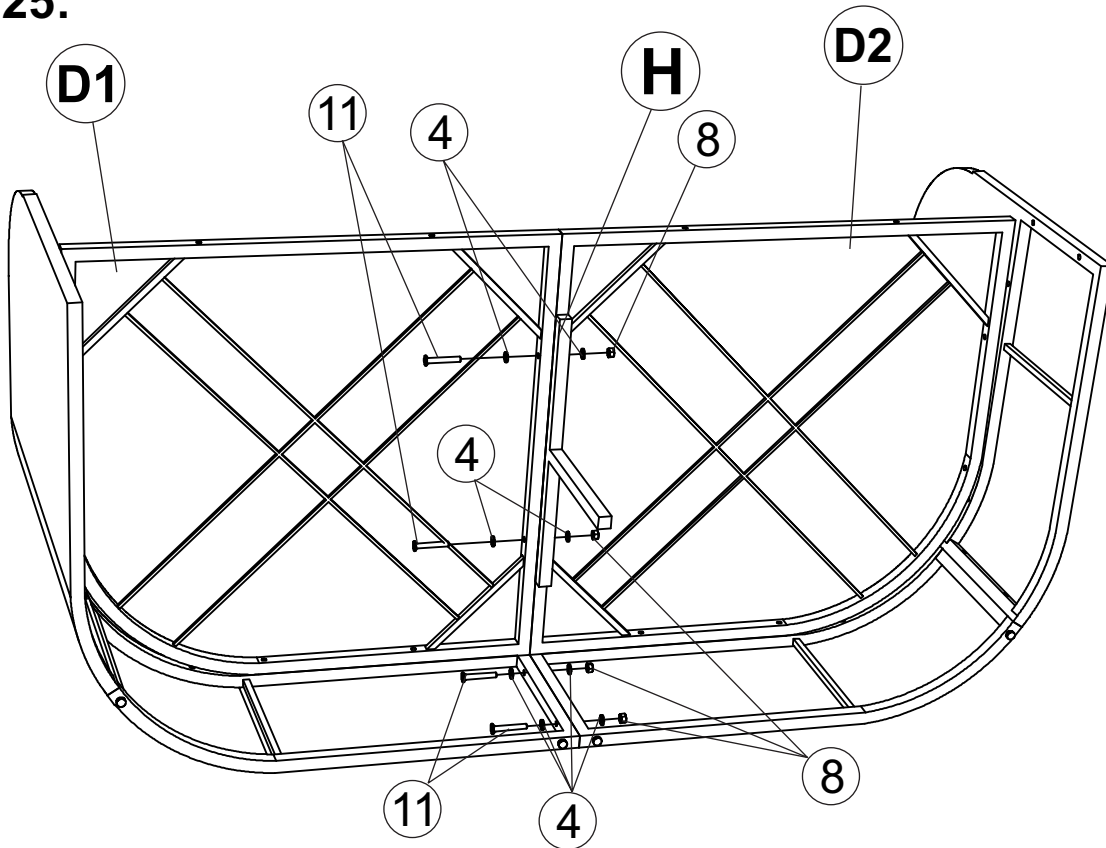
- ④*4
- ⑧*2
- ⑪*2
- E*1
- F*1

Step 24:



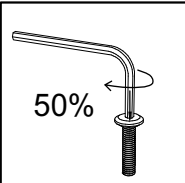
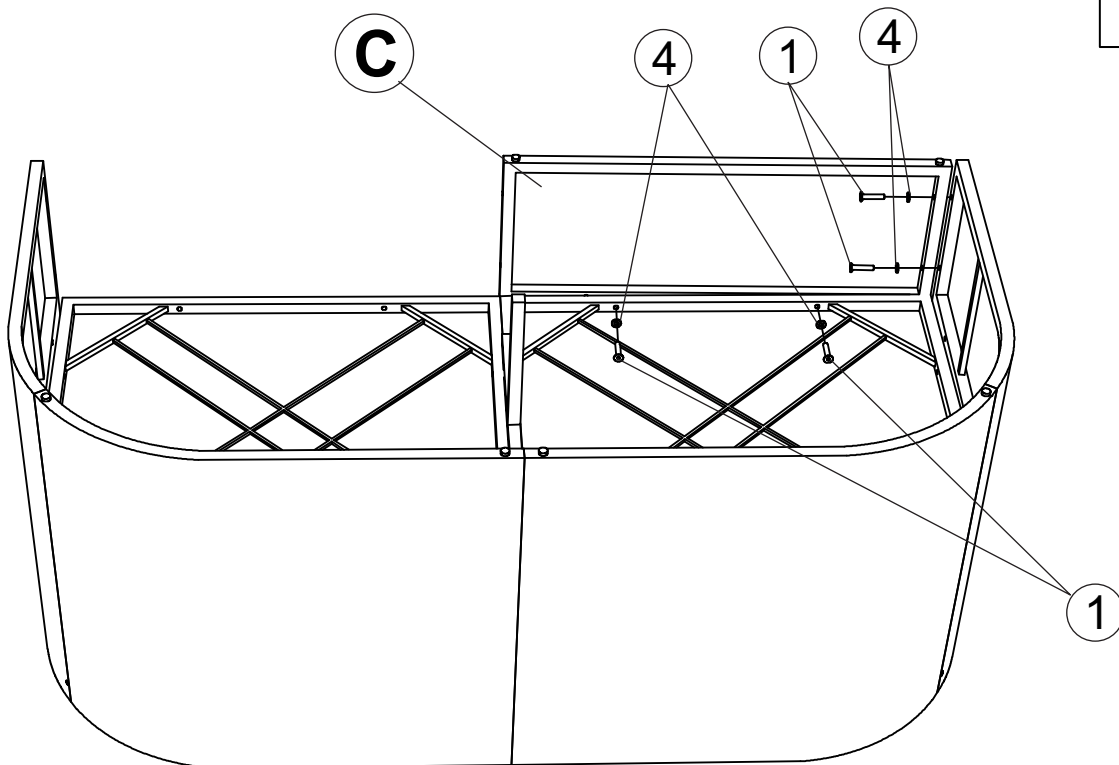
- ①*4
- ④*4
- D1*1

Step 25:



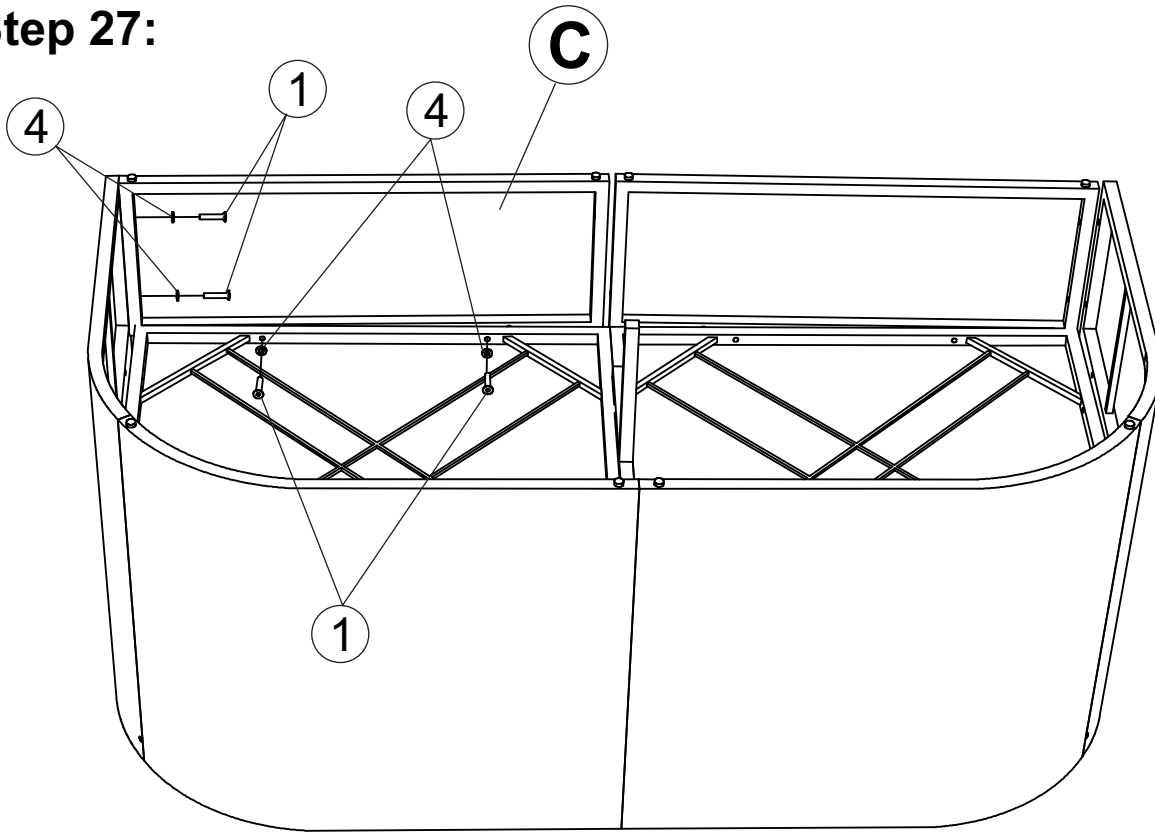
- ④*8
- ⑧*4
- ⑪*4
- H*1

Step 26:



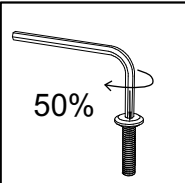
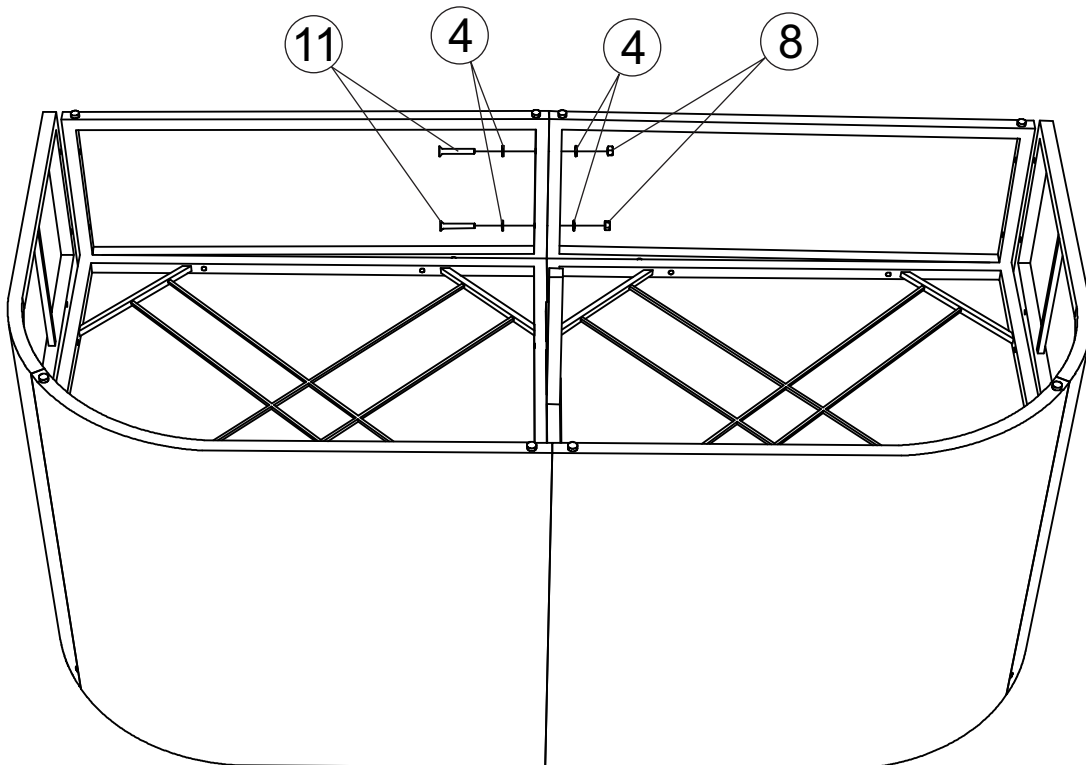
- ①*4
- ④*4
- C*1

Step 27:



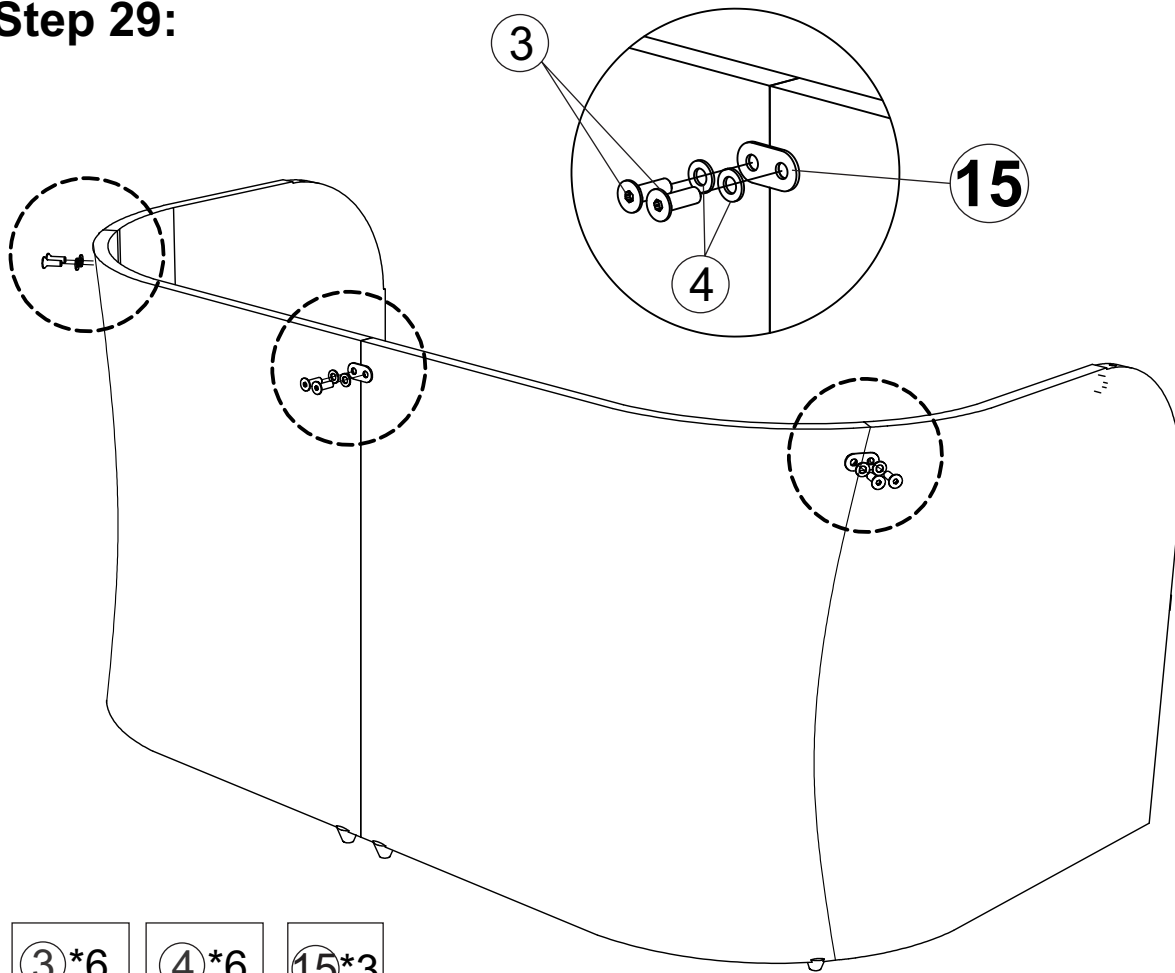
- ①*4
- ④*4
- C*1

Step 28:



- ④*4
- ⑧*2
- ⑪*2

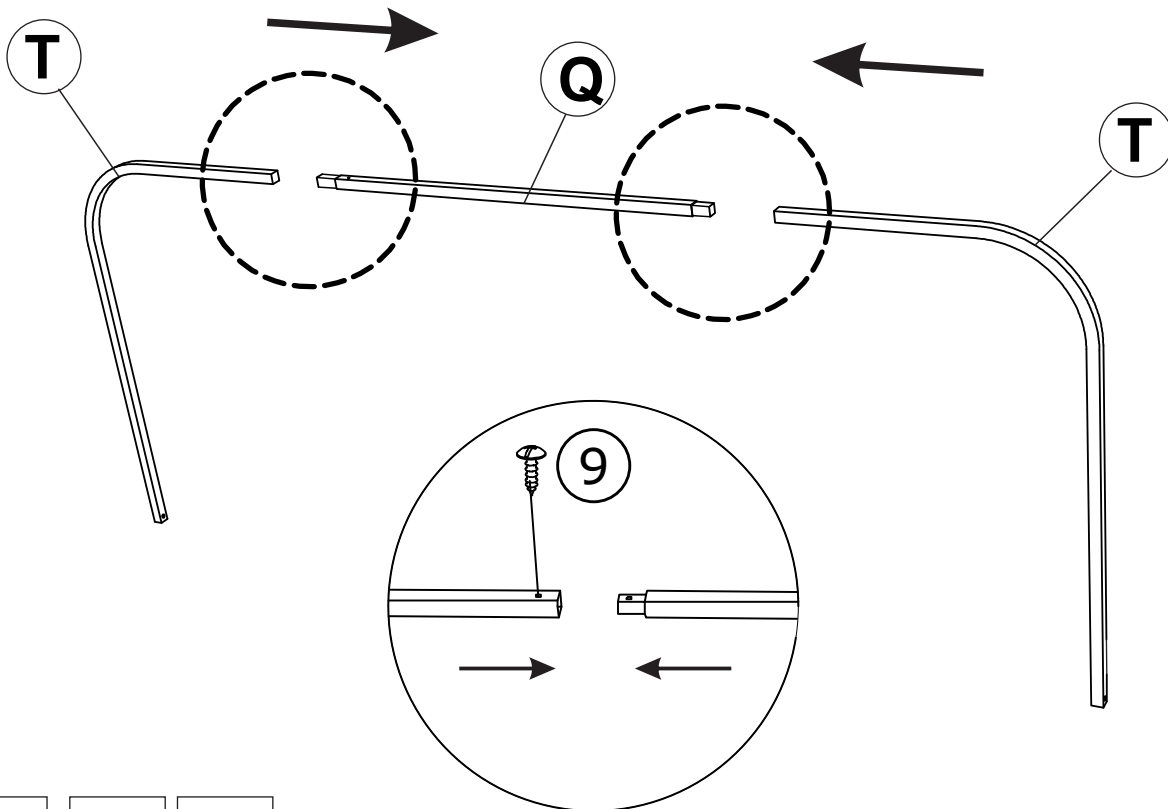
Step 29:



- ③*6
- ④*6
- ⑮*3

Step 30:

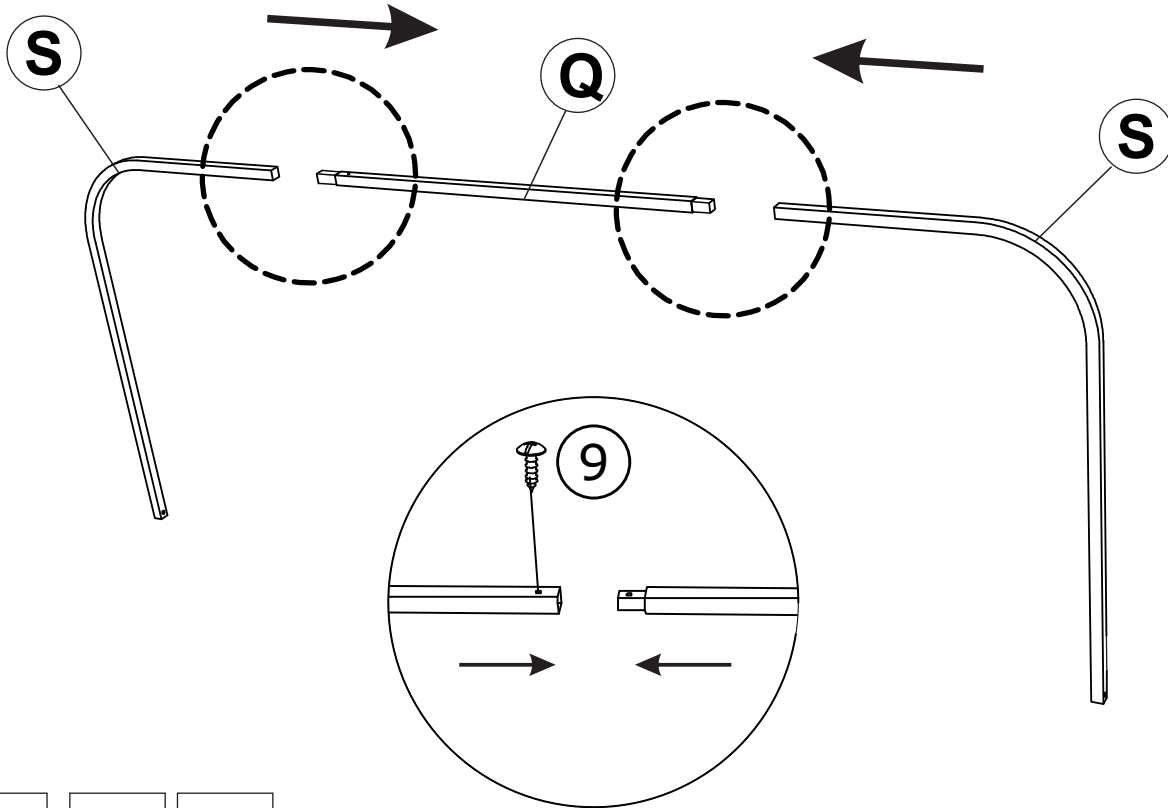
PART B - x3



- ⑨*6
- Q*3
- T*6

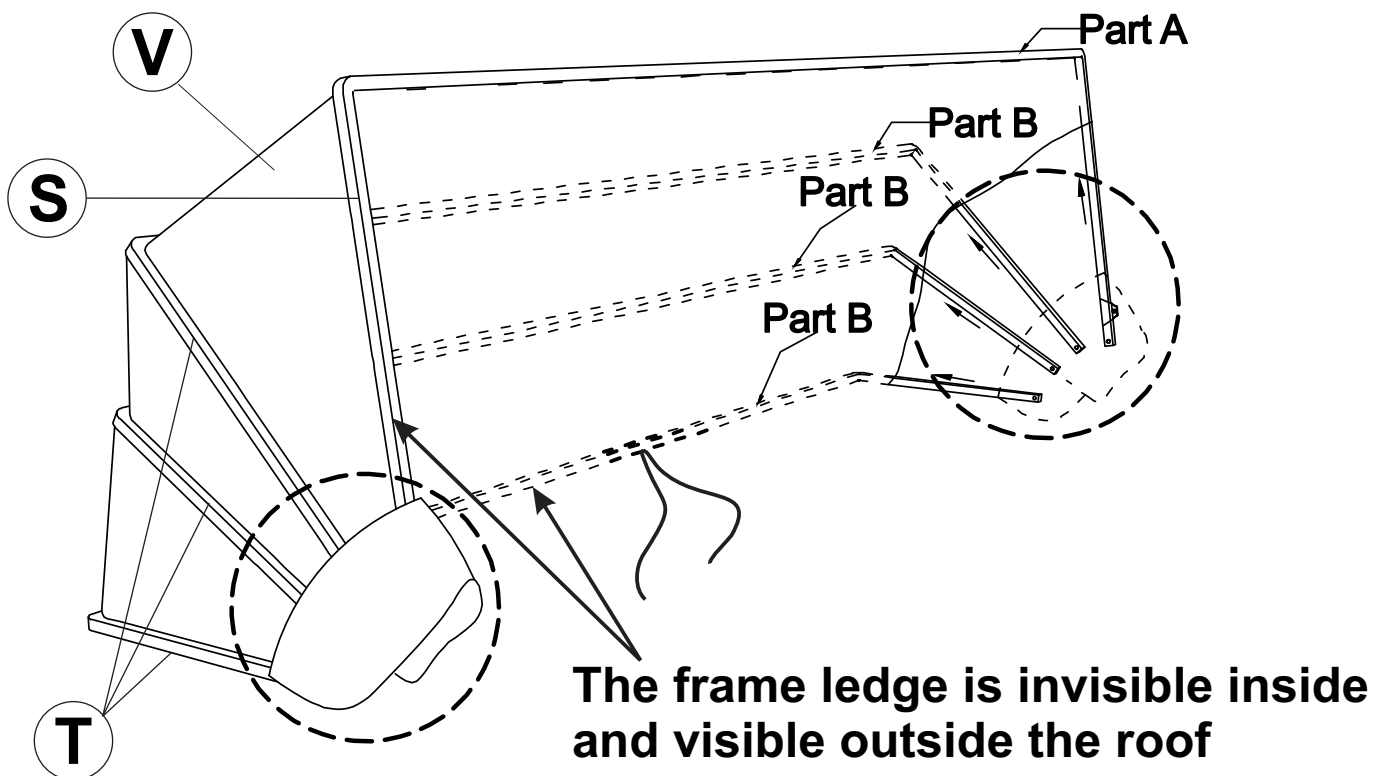
Step 31:

PART A - x1



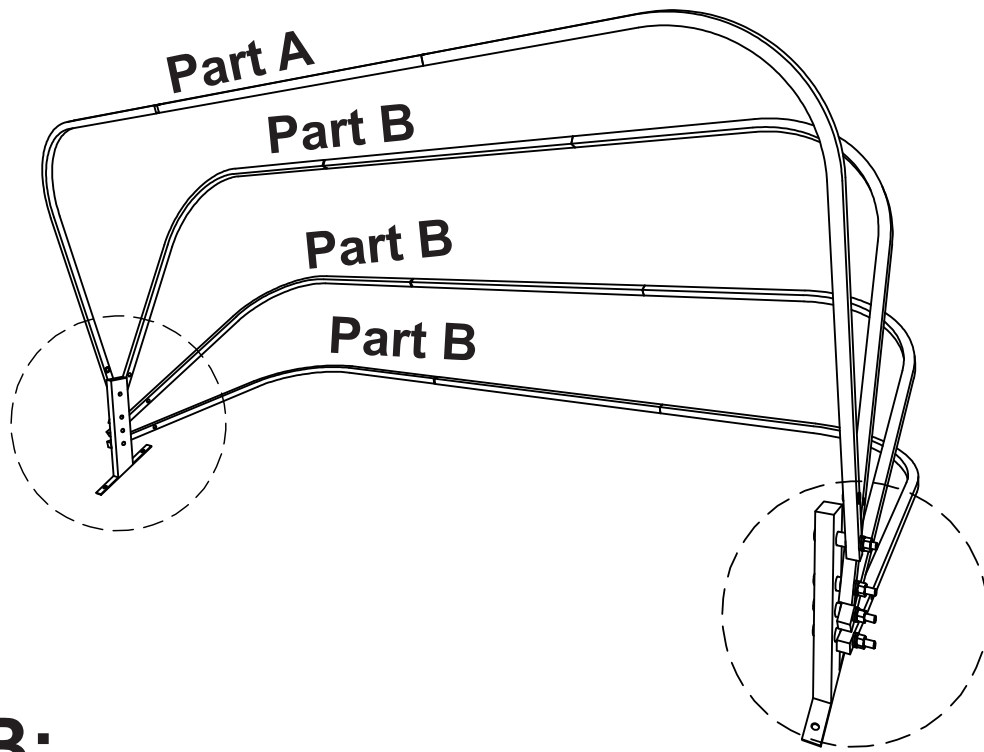
9*2 Q*1 S*2

Step 32: Put the frame into the roof

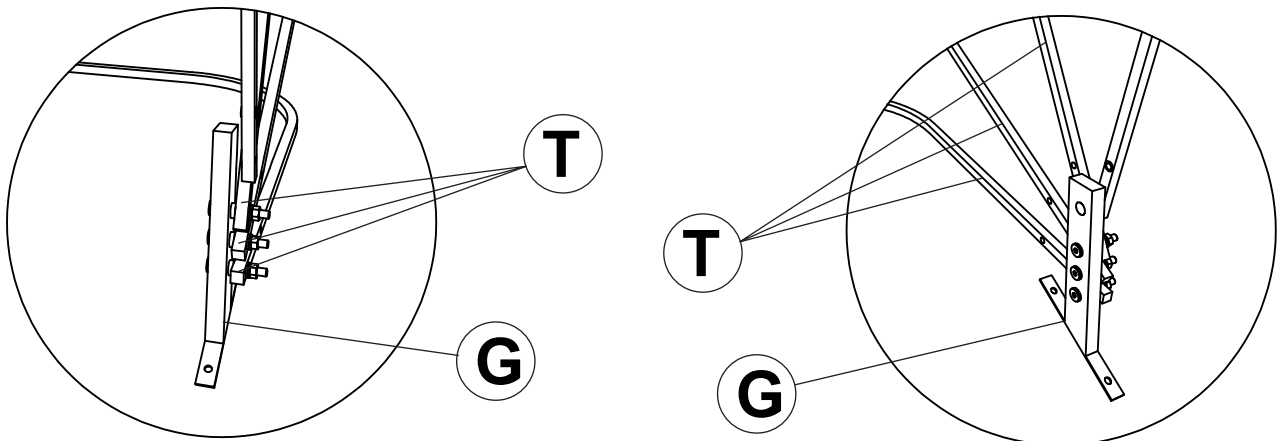


V*1

Step 33:

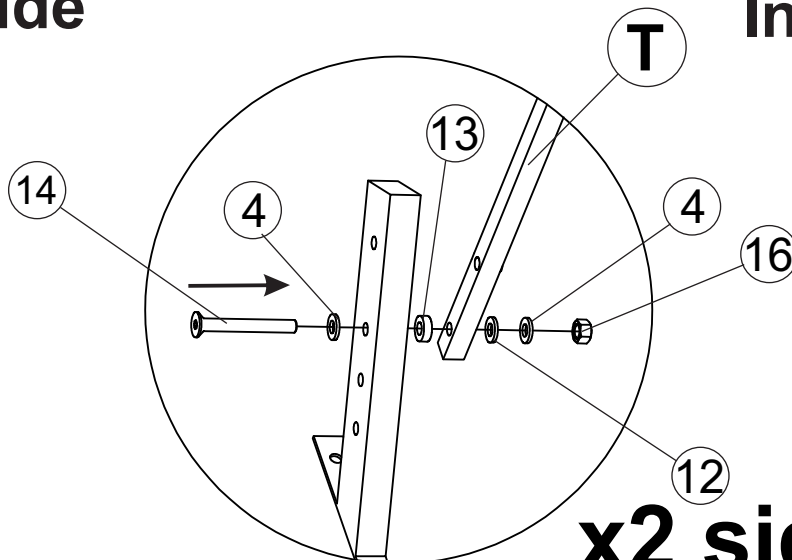


Part B:



Outside

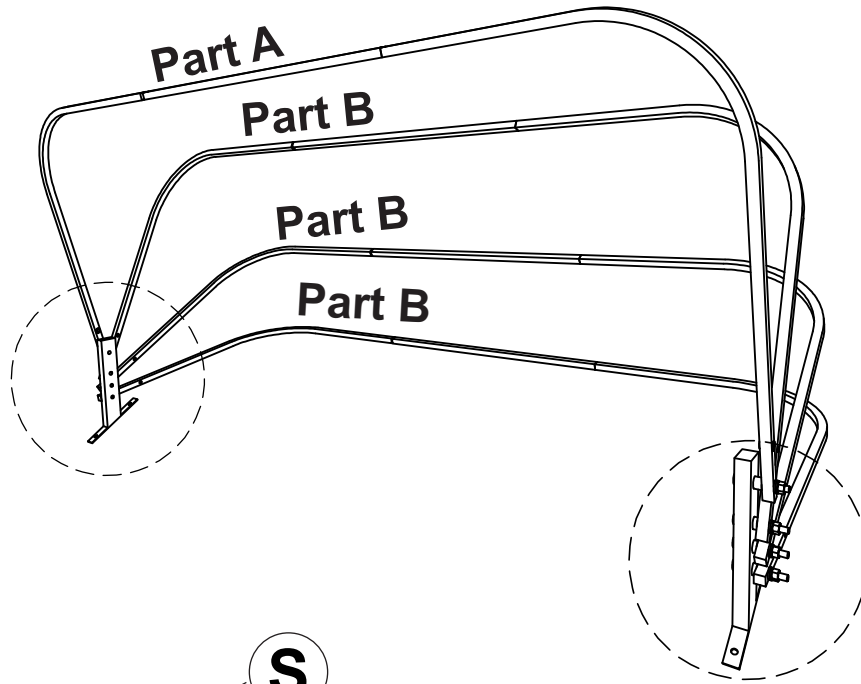
Inside



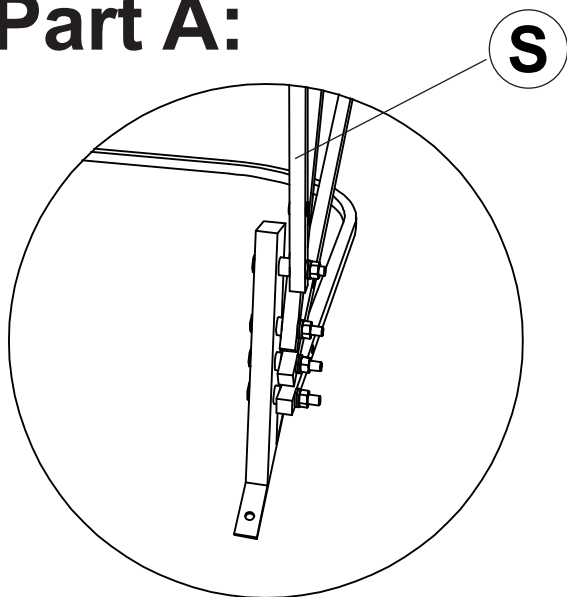
x2 sides

- 4*12
- 12*6
- 13*6
- 14*6
- 16*6
- G*2

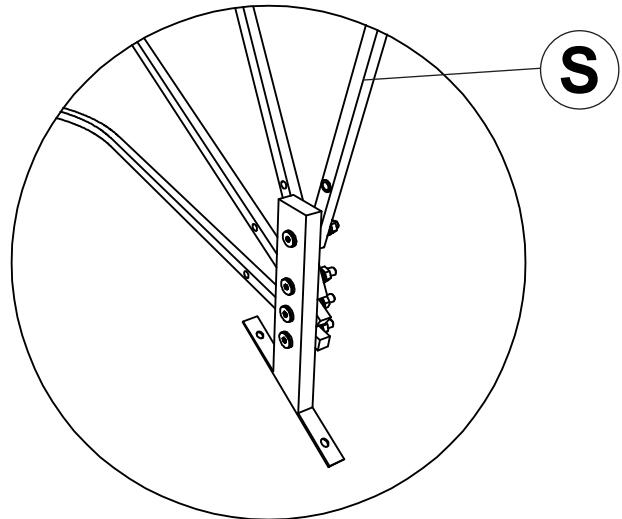
Step 34:



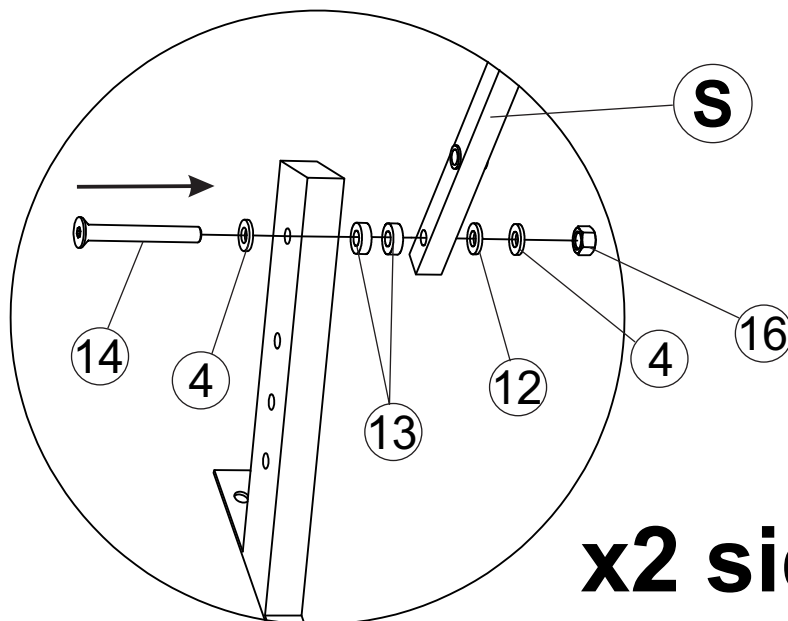
Part A:



Outside



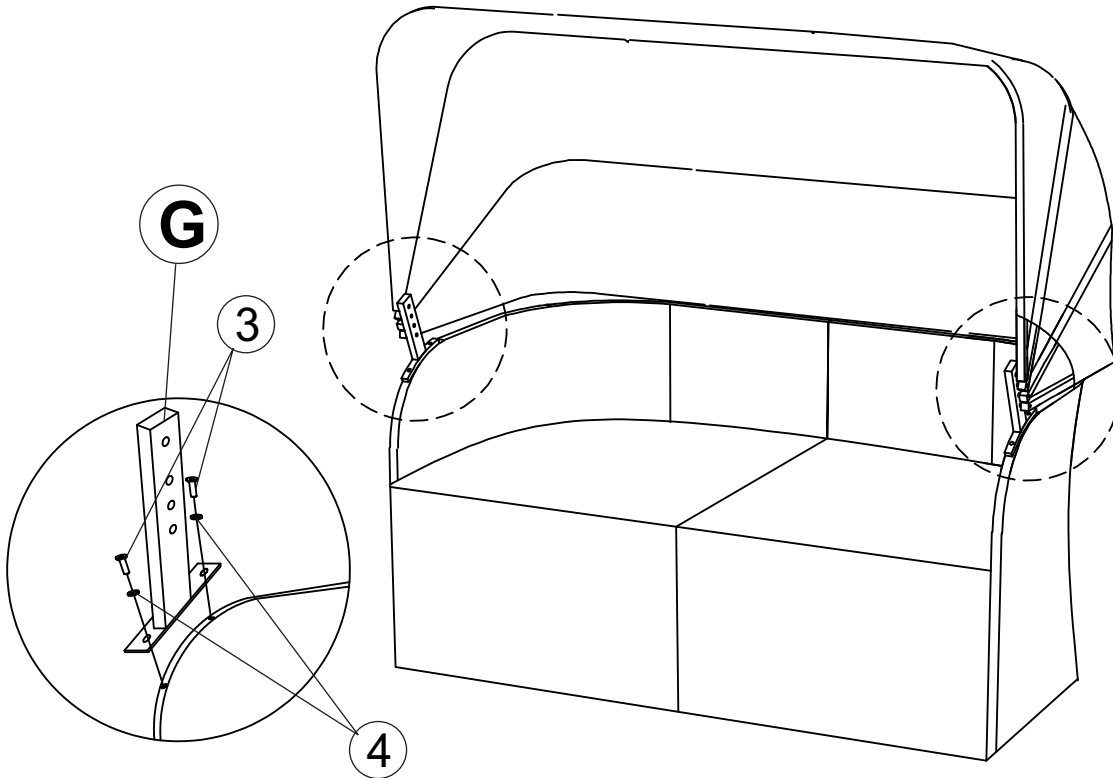
Inside



x2 sides

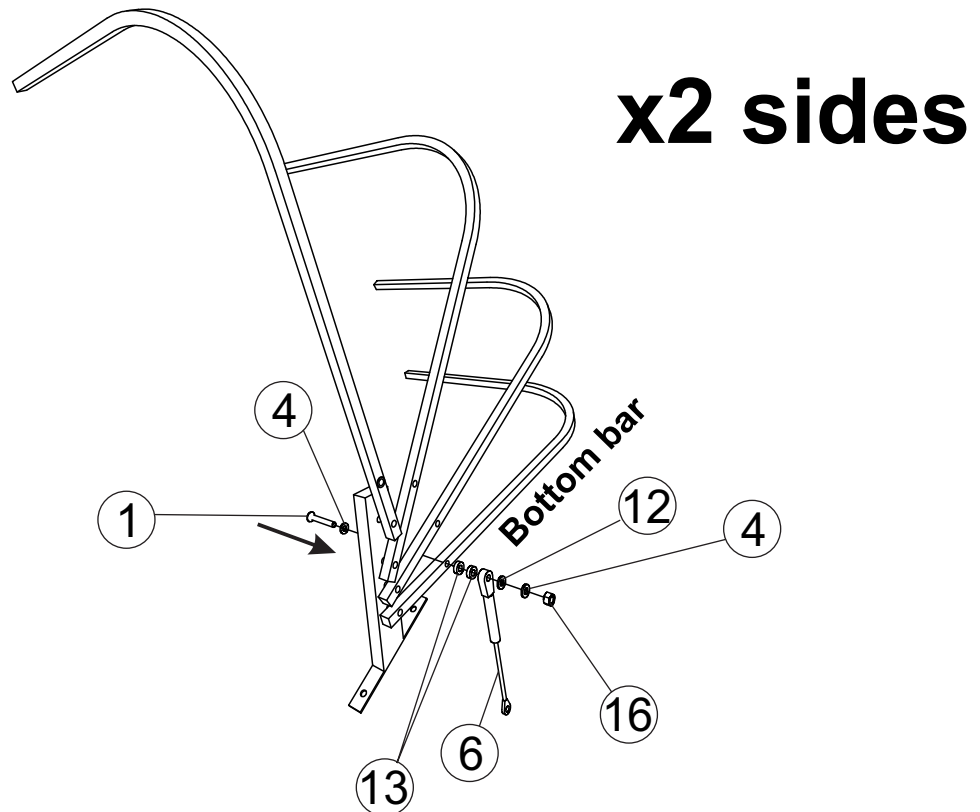
- ④*4
- ⑫*2
- ⑬*4
- ⑭*2
- ⑰*2

Step 35:



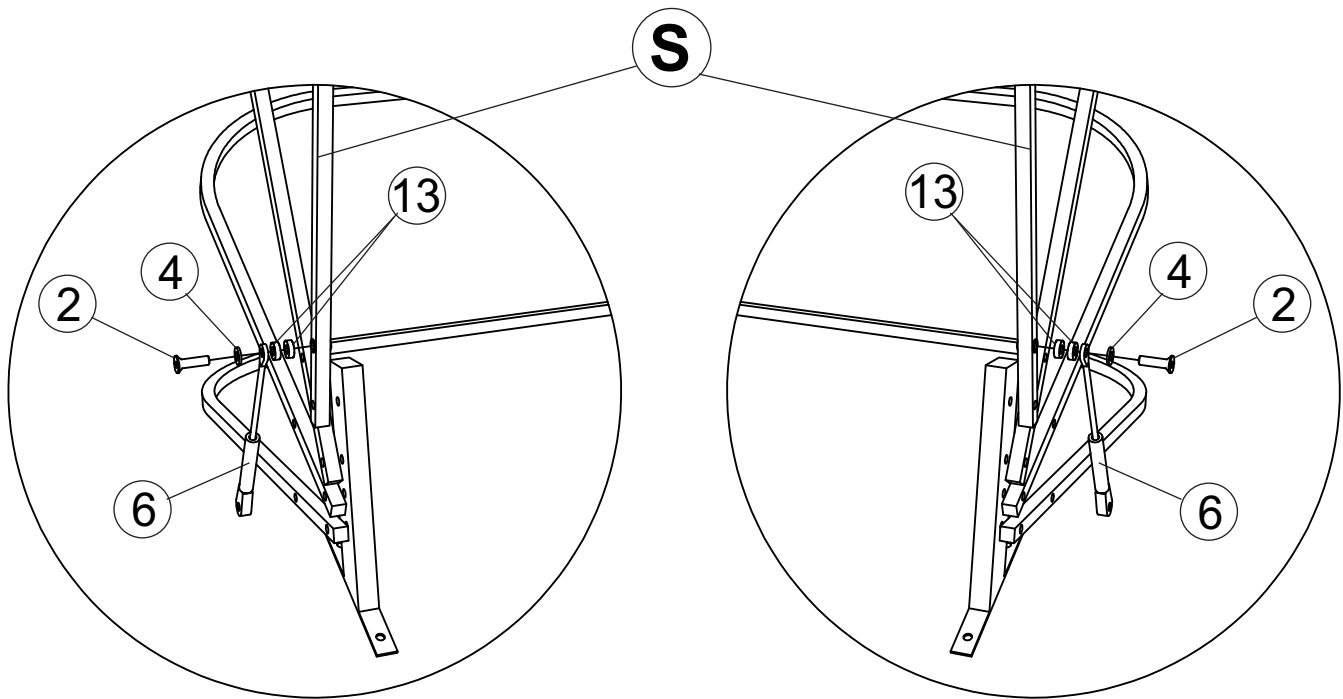
③*4 ④*4

Step 36: Assemble the air lifter



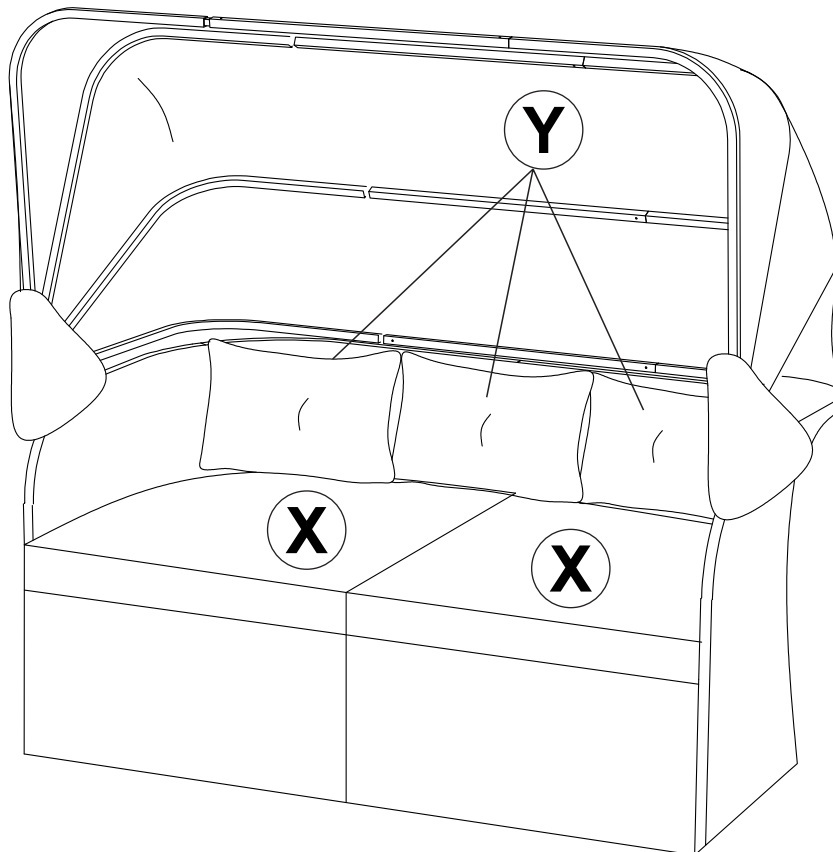
①*2 ④*4 ⑥*2 ⑫*2 ⑬*4 ⑯*2

Step 37: Assemble the air lifter



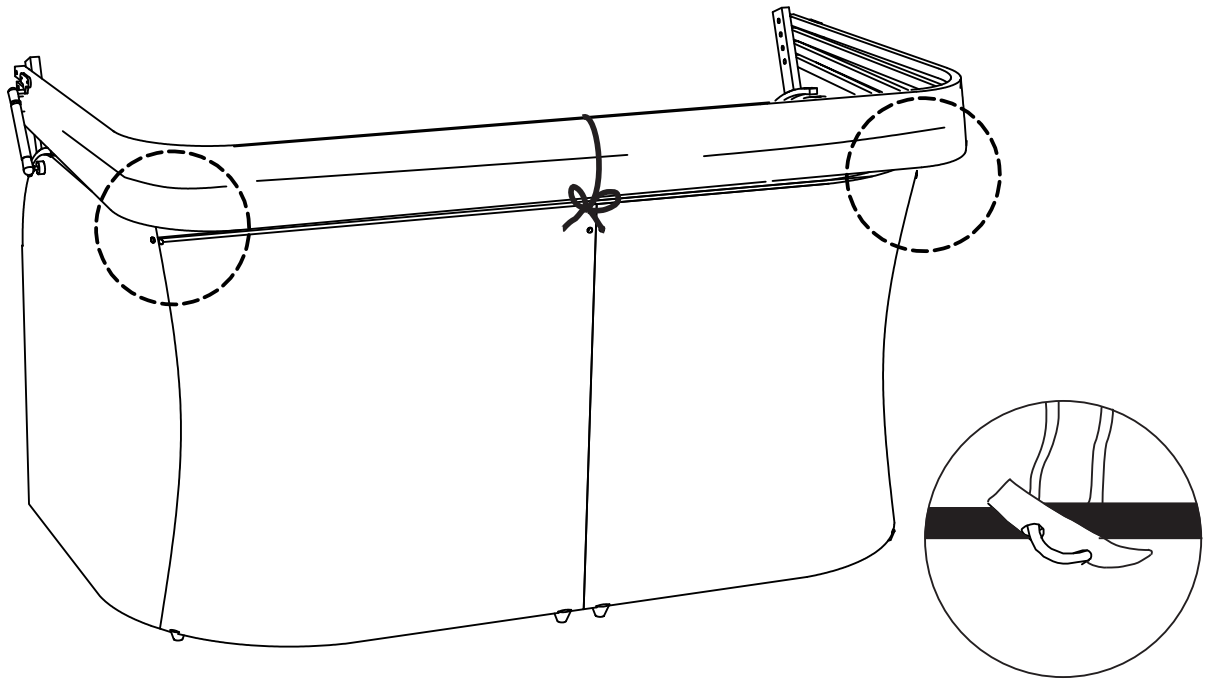
②*2 ④*2 ⑬*4

Step 38:



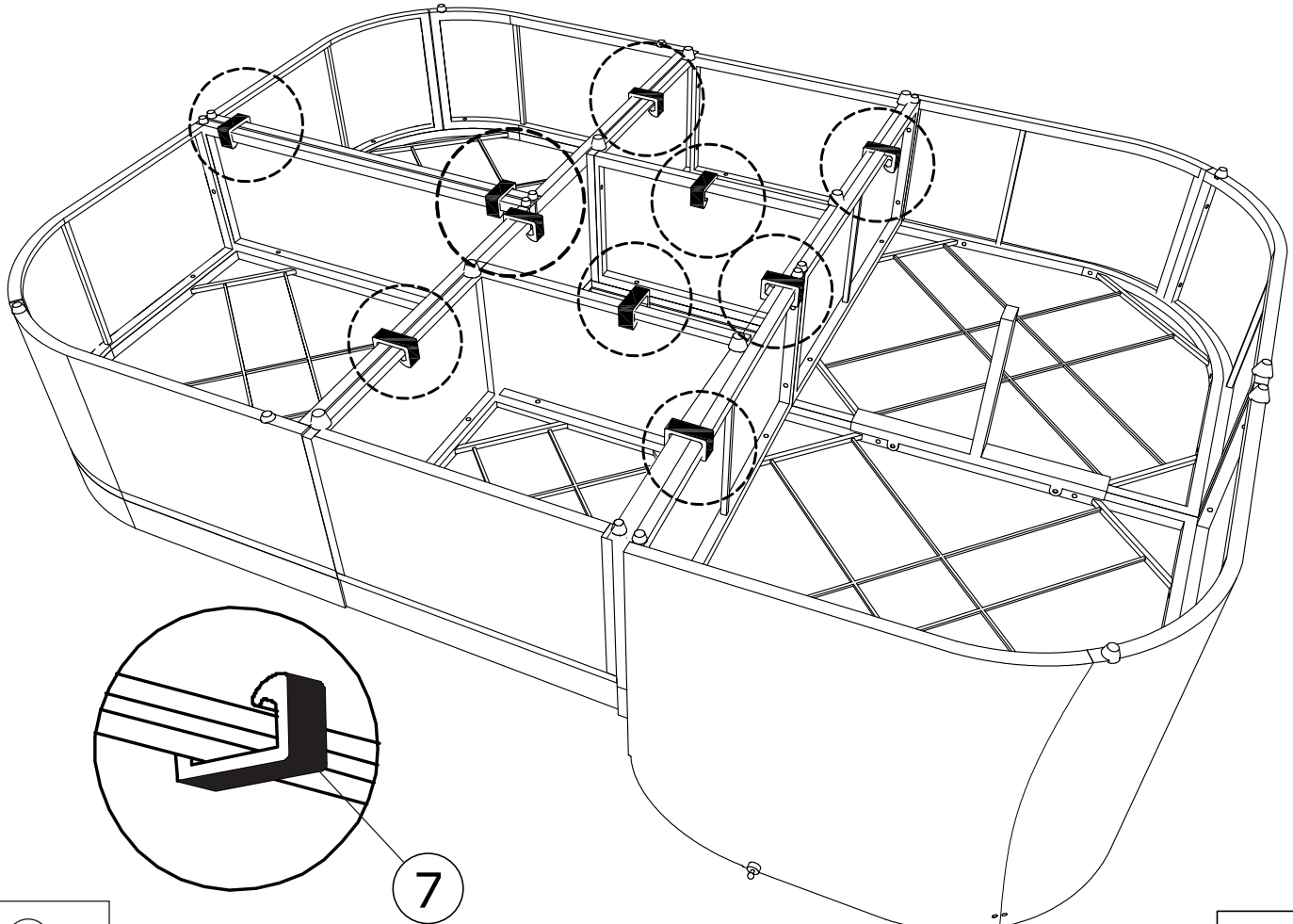
X*2 Y*3

Step 39: Pull the roof down and tie if you don't want to use it

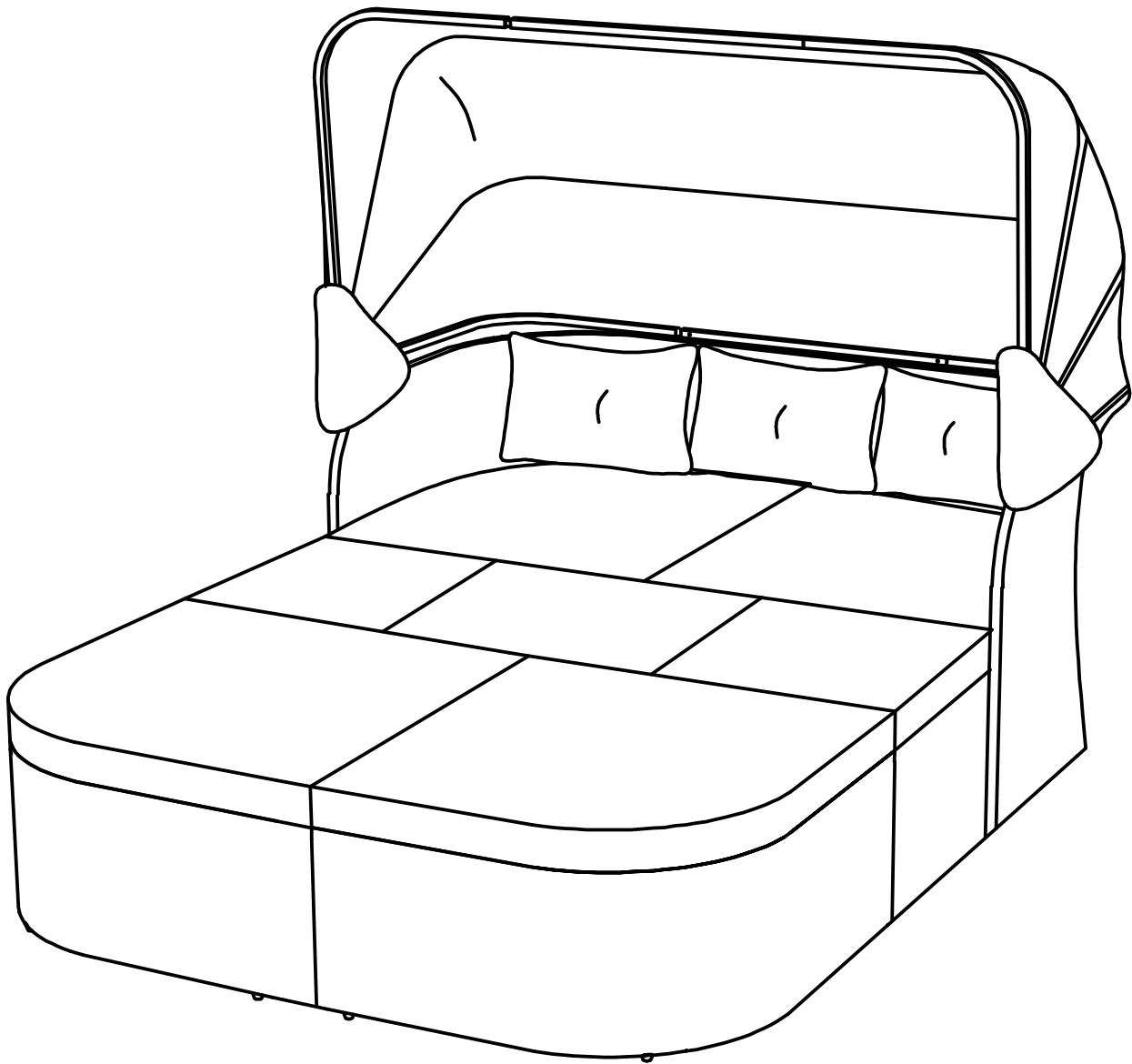


Put the knots into the rattans to keep the roof tight

Step 40: Stick it all together



7*10



**FINISH.
CONGRATULATIONS !**