

ASSEMBLY INSTRUCTION

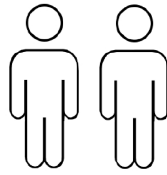
TWIN



+ Do Not Use Power Tools



+ Suggested Adults



NOTE:

- 1 Read instructions cover to cover.
- 2 Save all packaging until assembly is completed.

1 IMPORTANT SAFETY INFORMATION

Do not assemble the product if any of the following parts arrived damaged:

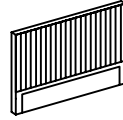
- Part # - Side Rails
- Part # - Center Support Bar
- Part # - Support Legs
- Part # - Slats

2 IMPORTANT ASSEMBLY INFORMATION

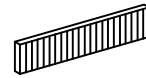
Assembly Step Ensure the side rail bracket is fully hooked onto bolt loosely threaded with both washers on the **OUTSIDE** of the bracket first, then proceed to fully tightening all 4 corners.

+ Parts Included

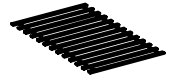
① Headboard
(1 of pc)



② Footboard
(1 of pc)



③ Slat 13 Pcs
(1 of pc)



④ Legs
(4 of pcs)



⑤ Side Rail
(2 of pcs)



+ Hardware Included

A Allen Key
M5 x 70mm
(1 of pc)



B Allen Key
M4 x 65mm
(1 of pc)



C Flat Washer
(24 of pcs)



D JCBB
M8x20mm
(8 of pcs)



E CSK
M4x32mm
(42 of pcs)



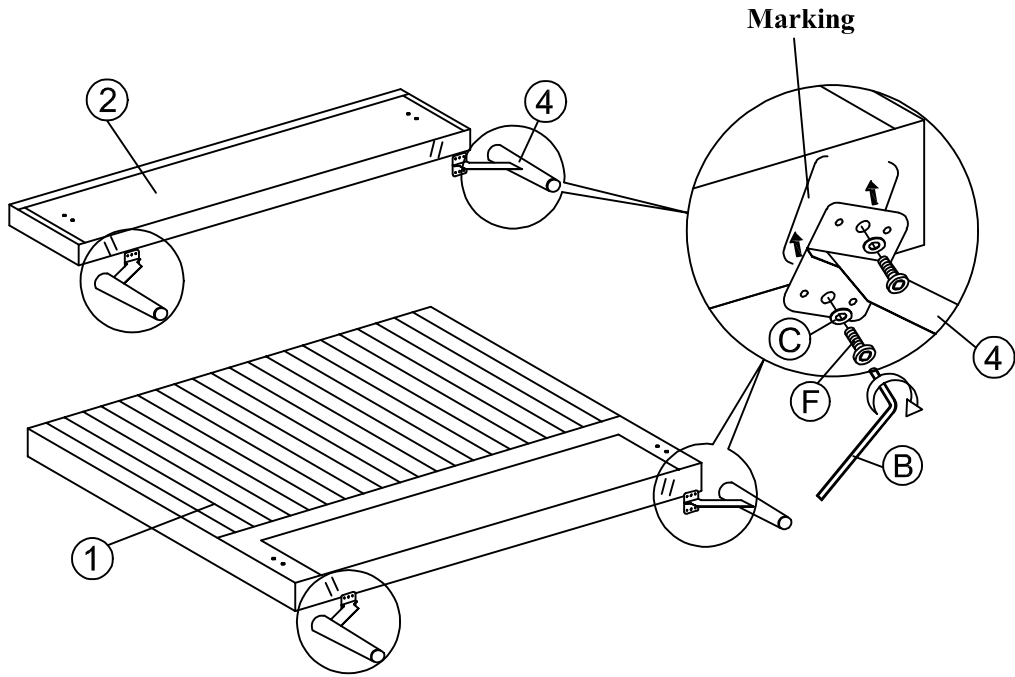
F JCBC
M6x30mm
(4 of pcs)



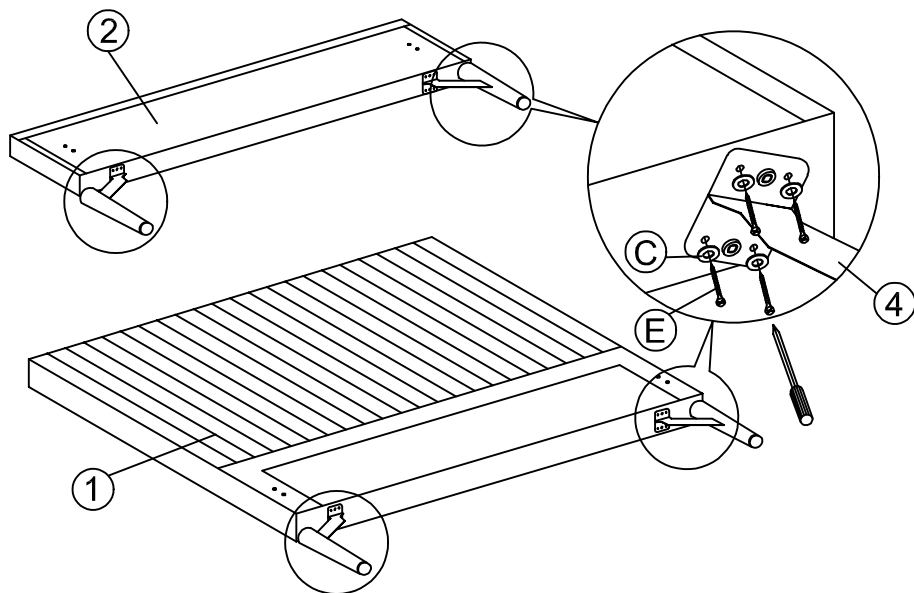
ASSEMBLY INSTRUCTION

TWIN

1



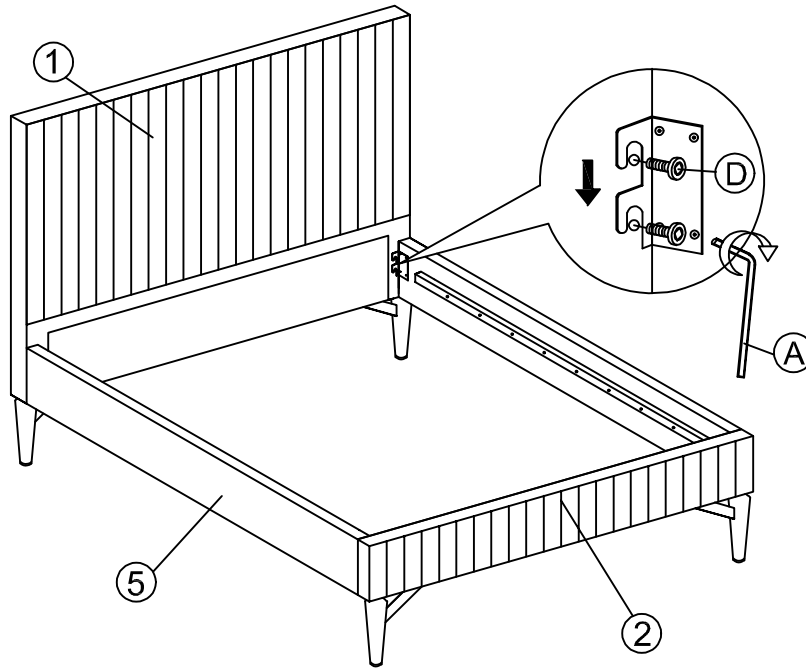
2



ASSEMBLY INSTRUCTION

TWIN

3



4

