

# Installation and Care Guide

## Whirlpool Bath with Airjets

Save These Instructions  
Conserver ces instructions  
Guarde estas instrucciones

Retain serial number for reference.  
Conserver le numéro de série pour référence.  
Guarde el número de serie para referencia: \_\_\_\_\_  
Français, page "Français-1"  
Español, página "Español-1"

THE BOLD LOOK  
OF **KOHLER**®

# Installation Instructions



**WARNING:** When using electrical products, basic precautions should always be followed, including the following:



**DANGER: Risk of electric shock.** Connect only to a circuit protected by a Ground-Fault Circuit-Interrupter (GFCI)\*.

Building materials and wiring should be routed away from the whirlpool pump, blower motor, and other heat-producing components of the unit.

Install to permit access for servicing.

A pressure wire connector marked "Earth/Ground" is provided within the wiring compartment. To reduce the risk of electric shock, connect this connector to the grounding terminal of your electric service or supply panel with copper wire equivalent in size to the circuit conductor supplying this equipment.

A pressure wire connector is provided on the exterior of the pump or control within this unit to permit connection of a bonding conductor between this unit and all the other exposed metal in the vicinity, as needed to comply with local requirements.

**Grounding is required.** The unit should be installed by a qualified service representative, and grounded.



**WARNING: Risk of injury or property damage.** Please read all instructions thoroughly before beginning installation, including the following requirements.



**WARNING: Risk of electric shock.** A qualified electrician should make all electrical connections.



**WARNING: Risk of electric shock.** Disconnect power before servicing.

**NOTICE: Follow all local plumbing and electrical codes.** In Canada, install this unit in accordance with the Canadian Electrical Code, Part 1.

\*Outside North America, this device may be known as a Residual Current Device (RCD).

## Product Information

### Electrical Requirements

The installation must have Class A Ground-Fault Circuit-Interrupters (GFCI's). The GFCI's protect against line-to-ground shock hazards. **Use 120 V, 15 A, 60 Hz dedicated services for the pump motor and blower.**

"H" models require a separate 120 V, 15 A, 60 Hz dedicated service for the heater.

If a power supply cord is damaged, it must be replaced by the manufacturer, its service agent or similarly qualified persons in order to avoid a hazard. The heater supply cord cannot be replaced. If the heater supply cord is damaged the heater must be replaced.

\*Outside North America, this device may be known as a Residual Current Device (RCD).

### Product Notices



**WARNING: Unauthorized modification may cause unsafe operation and poor performance of the bath.** Do not relocate the whirlpool pump motor or blower motor, or make other modifications to the bath system, as this could adversely affect the performance and safe operation of the product. Kohler Co. shall not be liable under its warranty or otherwise for personal injury or damage caused by any such unauthorized modification.

**NOTICE:** Keep the area around the blower clean and free of debris. Ensure that the area around the blower is free of sawdust, insulation, dirt, and other small loose debris. Such material can block the blower air ducts and reduce the air flow through the blower.

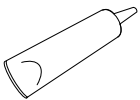
## Product Information (cont.)

**NOTICE:** This product contains an automatic water purge mode that turns the blower on for 2 minutes about 30 minutes after the unit is turned off and drained.

## Features

Factory-installed components include a pump motor, heater (H models), and blower motor (each with a separate power supply cord), whirlpool jets, air piping, air switch, and user keypad. Other than electrical wiring and plumbing, no assembly is needed.

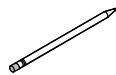
## Tools and Materials



Silicone Sealant



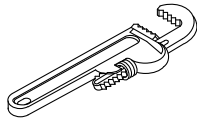
Tape Measure



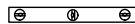
Pencil



Safety Glasses



Pipe Wrench



Level

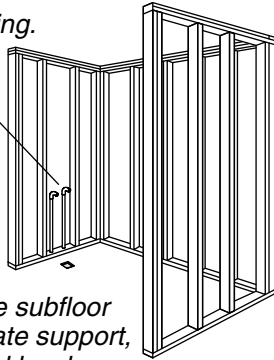
### Plus:

- Conventional woodworking tools and materials
- Drop Cloth
- Construction adhesive (optional)
- Cement\* or mortar (optional)
- 2x4s

\* *Do not use gypsum cement.*

### Alcove

Position the rough plumbing.



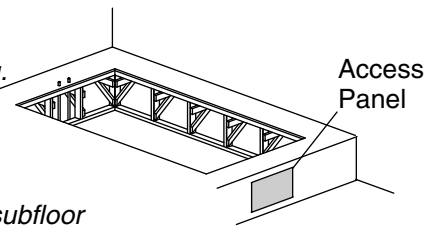
Construct 2x4 stud framing according to the product dimensions.

Verify that the subfloor offers adequate support, and is flat and level.

### Drop-In

Position the rough plumbing.

Construct according to the product dimensions.



Verify that the subfloor offers adequate support, and is flat and level.

## 1. Prepare the Site

**NOTICE:** Measure your actual product for site preparation. Note the **model number** located on the pump/blower end of the bath, then visit the product page at [www.kohler.com](http://www.kohler.com) for more information.

**NOTICE:** Provide generous, unrestricted access to the pump and blower. You must provide access immediately next to the pump, blower, and controls for servicing.

**NOTICE:** Do not lift the bath by the piping, pump, or blower, or use the piping, pump, or blower for structural support of the bath. To avoid damage to the bath, lift by the rim at the sides of the bath.

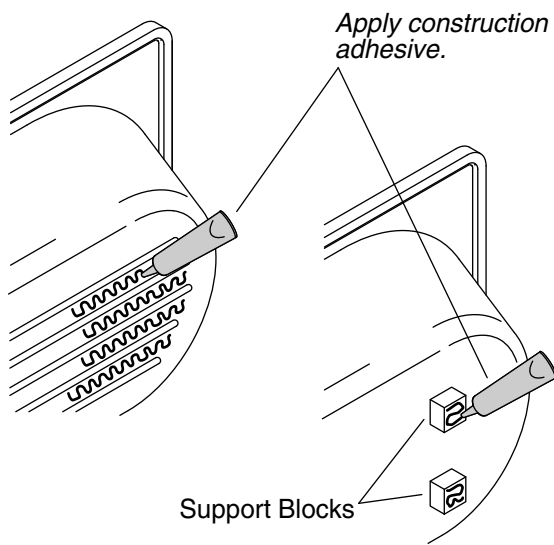
**NOTICE:** Do not support the weight of the bath by the rim.

**NOTICE:** Drop-in models are not intended for alcove installation. Use a flanged model for alcove installations.

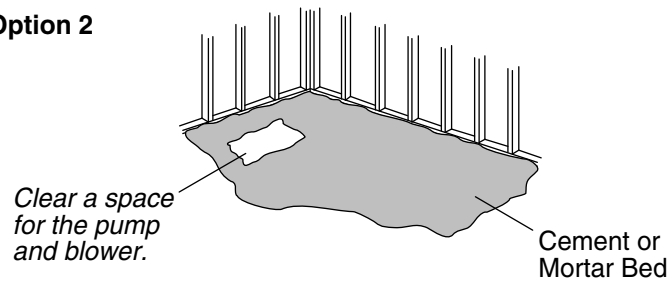
**NOTE:** Drop-in or alcove installation is possible, depending on the product chosen.

- Carefully unpack and inspect the new bath for damage before installation. If there is damage do not install the bath; contact your dealer.
- Make sure the flooring offers adequate support for your bath, and verify that the subfloor is flat and level.
- Provide adequate ventilation and at least 15 cubic feet (.4 cubic meters) of open air space for cooling the motor and supplying sufficient air to the blower. Do not position the blower motor closer than 1" (25 mm) to the wall or other objects.
- Construct 2x4 stud framing.
- Install an access panel on the pump/blower end of the bath for servicing. The access panel must be at least 30" (762 mm) wide by 15" (381 mm) high.
- Install the rough plumbing.
- Install the drain to the bath according to the drain manufacturer's instructions.
- Protect the bath surface by positioning a clean drop cloth in the basin bottom.

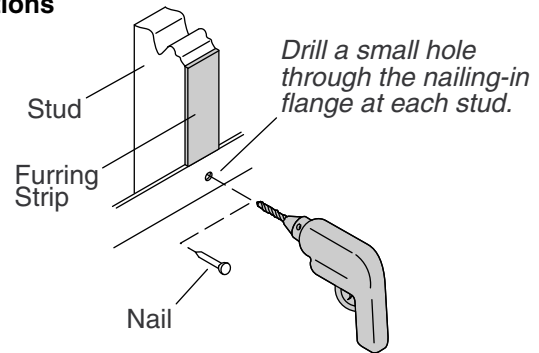
### Option 1



### Option 2



### Alcove Installations



## 2. Install the Bath

**NOTICE:** Do not lift the bath by the piping or blower, or use the piping or blower for structural support of the bath. To avoid damage to the bath, lift by the rim at the sides of the bath.

- If the subfloor is not level, shim the bath support blocks or molded supports as necessary.

### Option 1: Install Using Construction Adhesive

**NOTE:** Some models come with support blocks; some models have molded supports.

- Apply a generous amount of high-quality construction adhesive to the bottom of the support blocks or molded supports. With help, carefully lift the bath into position.

### Option 2: Using a Cement or Mortar Bed

**NOTE:** Do not use gypsum cement or drywall compound for this application, as they will not provide an acceptable, durable bond.

- Set the basin area in 1" (25 mm) to 2" (51 mm) of mortar cement.

### Secure the Nailing-in Flanges (Flanged Units for Alcove Installations)

- Drill a small pilot hole through the nailing-in flange at each stud. Add shims as needed.
- Use large-head galvanized nails to secure the nailing-in flange to the studs.
- Nail furring strips to the studs.

### Cut the Pump Banding Straps

**IMPORTANT!** Perform this step to make the whirlpool operate more quietly.

- Cut the two pump banding straps from the whirlpool pump.

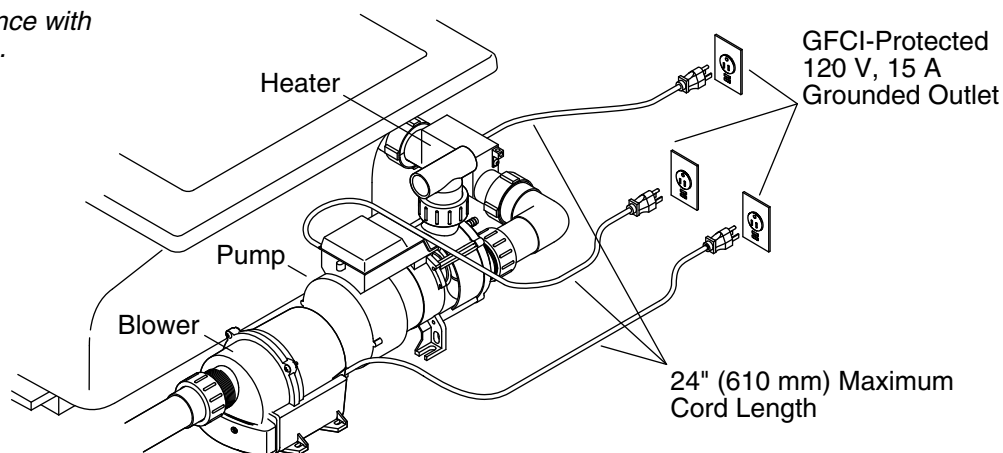
**NOTE:** Do not raise the pump higher than it was before you cut the straps. If the pump is raised too high, it will not prime properly. Make sure the rubber isolation feet are in place.

### Install the Plumbing

### **Install the Bath (cont.)**

- Insert the drain tailpiece into the trap. Secure the drain tailpiece to the trap.
- Install the faucet valve.
- Check the drain connections for leakage.

Bond in accordance with applicable codes.



### 3. Make the Electrical Connections – USA and Mexico



**WARNING: Risk of electric shock.** Make sure the power has been disconnected before performing the following procedures.



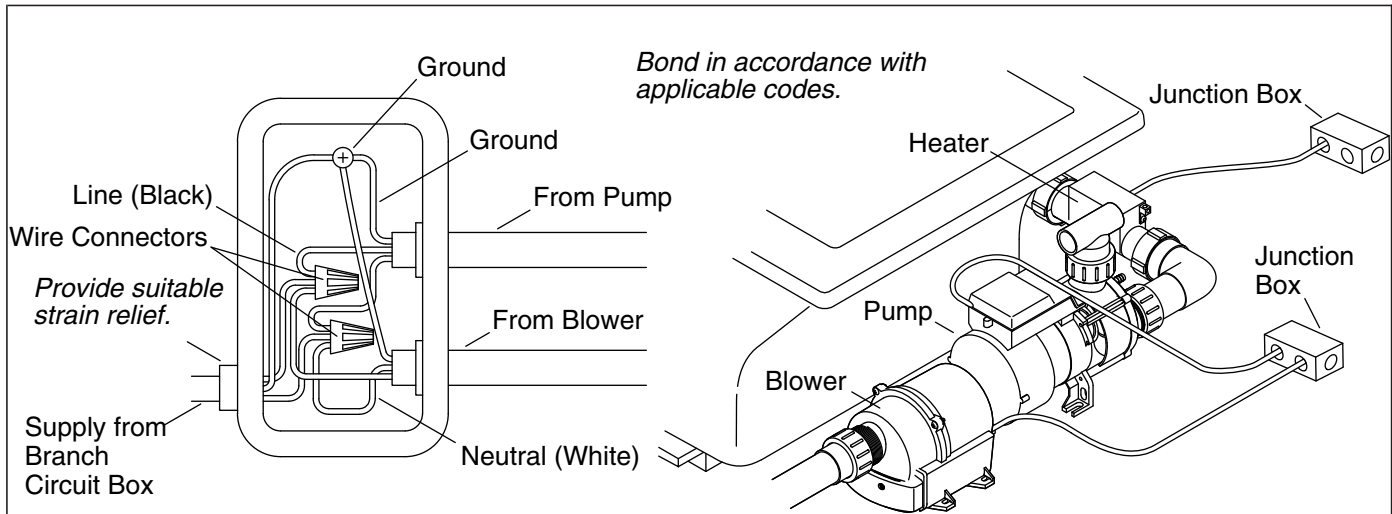
**WARNING: Risk of electric shock.** Connect the pump motor, in-line heater (if included), and blower to properly grounded, grounding-type receptacles protected by Ground-Fault Circuit-Interrupters (GFCI's) or Residual Current Devices (RCD's). Do not remove the grounding pins from the plugs. Do not use grounding adapters.

**NOTICE:** The pump motor, in-line heater (if included), and blower are equipped with cords and plugs. A qualified electrician must install a dedicated GFCI- or RCD-protected, 120 V, 15 A, grounded outlet **for each** device. No other load should be on these circuits.

**NOTE:** A label identifying the model number and electrical rating of the product is located near the whirlpool pump.

- Install electrical outlets behind the bath, at least 1-1/2" (38 mm) above the subfloor, and within reach of the 24" (610 mm) power cords.
- Plug the pump motor, blower, and in-line heater (if included) into these outlets.

**NOTE:** Make sure the air actuator tubing is securely attached to the pump, and is not kinked or damaged.



#### 4. Make the Electrical Connections – Canada



**WARNING: Risk of electric shock.** Make sure the power has been disconnected before performing the following procedures.



**WARNING: Risk of electric shock.** Connect the pump motor, in-line heater (if included), and blower to a properly grounded, grounding-type Ground-Fault Circuit-Interrupter (GFCI) or Residual Current Device (RCD). This will provide additional protection against line-to-ground shock hazard.

**NOTE:** A label identifying the model number and electrical rating of the whirlpool is located near the whirlpool pump.

- Locate and secure each supplied junction box a minimum of 1-1/2" (38 mm) above the subfloor.
- The whirlpool controls and system have been prewired at the factory. A qualified electrician should make a routine service connection to the junction box.
- Connect service to the junction box. The 60 Hz model junction box contains line (black) and neutral (white) wires and a ground lug.
- A 120 V, 15 A dedicated circuit is required. Provide a Class A GFCI or RCD.
- Provide a separate equipment grounding conductor for the inside ground or ground lug. The conductor **must not** be connected to any current-carrying conductor.
- Bond in accordance with national and local codes.

#### 5. Complete the Installation

##### Test Run the Bath

- Fill the bath at least 2" (51 mm) above the top of the highest jet.
- Operate the bath for 5 minutes and check all piping connections for leaks. Check for leakage along the front, sides, and back of the bath.
- For additional information on bath operation, see the "Operating the Whirlpool System" and "Operating the Air System" sections.

##### Finish the Installation

- Install water-resistant wallboard and all finished wall, deck, and floor materials.
- Apply silicone sealant to seal all areas where the bath and finished wall or deck meet.
- Install the faucet trim.

## Complete the Installation (cont.)

### Clean-up After Installation

- When cleaning up after installation, **do not use abrasive cleansers**, as they may scratch and dull the bath surface. Use warm water and a liquid detergent to clean the surface of the bath.
- Remove stubborn stains or paint with turpentine or paint thinner. **Do not allow cleaners containing petroleum distillates to remain in contact with any bath surface for long periods of time.** Remove plaster by carefully scraping with a wood edge. Do not use metal scrapers, wire brushes, or other metal tools. Use a powder-type detergent on a damp cloth to provide mild abrasive action to any residual plaster.

# Important Safety Instructions

## READ AND FOLLOW ALL INSTRUCTIONS

## SAVE THESE INSTRUCTIONS

### INSTRUCTIONS PERTAINING TO A RISK OF FIRE, ELECTRIC SHOCK, OR INJURY TO PERSONS



**WARNING:** When using electrical products, basic precautions should always be followed, including the following:



**DANGER: Risk of accidental injury or drowning.** To reduce the risk of injury, do not permit children to use this unit unless they are closely supervised at all times.



**WARNING: Risk of personal injury.** To avoid injury, exercise care when entering or exiting the bath.



**WARNING: Risk of electric shock.** Do not permit electric appliances (such as a hair dryer, lamp, telephone, radio, or television) within 5' (1.5 m) of this bath.



**WARNING: The use of alcohol, drugs, or medication can greatly increase the risk of fatal hyperthermia.** Prolonged immersion in hot water may induce hyperthermia. Hyperthermia occurs when the internal temperature of the body reaches a level several degrees above the normal body temperature of 98.6°F (37°C). The symptoms of hyperthermia include an increase in the internal temperature of the body, dizziness, lethargy, drowsiness, and fainting. The effects of hyperthermia include: (a) failure to perceive heat, (b) failure to recognize the need to exit the bath, (c) unawareness of impending hazard, (d) fetal damage in pregnant women, (e) physical inability to exit the bath, and (f) unconsciousness resulting in the danger of drowning.



**WARNING: Risk of fetal injury.** Pregnant or possibly pregnant women should consult a physician before using the bath.



**WARNING: Risk of hyperthermia or drowning.** Do not use the bath immediately following strenuous exercise.



**WARNING: Risk of hyperthermia or drowning.** Water temperature in excess of 100°F (38°C) may cause injury. Test and adjust the water temperature before use.



**WARNING: Risk of personal injury.** Never drop or insert any object into any opening.

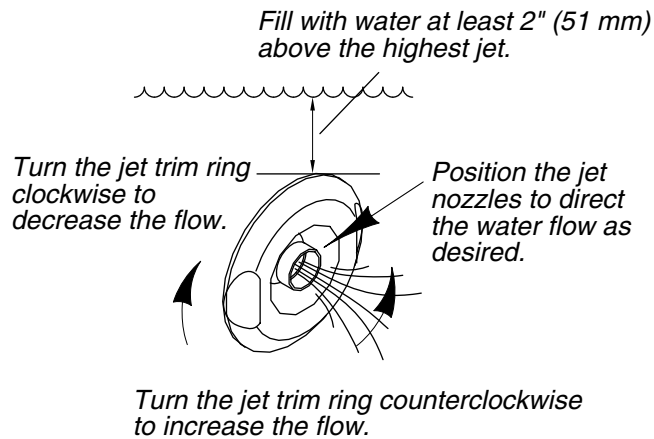
Use this bath only for its intended purpose as described in this guide. Do not use attachments not recommended by Kohler Co.

The bath must be connected only to a supply circuit that is protected by a Ground-Fault Circuit-Interrupter (GFCI)\*. Such a GFCI should be provided by the installer and should be tested on a routine basis. To test the GFCI, press the test button. The GFCI should interrupt power. Press the reset button. Power should be

**Important Safety Instructions (cont.)**

restored. If the GFCI fails to operate in this manner, the GFCI is defective. If the GFCI interrupts power to the bath without the test button being pressed, a ground current is flowing, indicating the possibility of an electric shock. Do not use this bath. Disconnect the bath and have the problem corrected by a qualified service representative before using.

\*Outside North America, this device may be known as a Residual Current Device (RCD).



## Operating the Whirlpool System

**NOTE:** This is a combination whirlpool bath with airjets. For information on using the air features, refer to the "Operating the Air System" section.

### Start/Stop the Whirlpool Jets

**NOTE:** The water temperature in the bath should never exceed 104°F (40°C).

- Close the drain, then fill the bath at least 2" (51 mm) above the top of the highest jet.
- Use your hand to test the water temperature for comfort and safety, then carefully enter the bath.
- Press the air switch to turn on the pump.

**NOTE:** If equipped, the heater will automatically turn on.

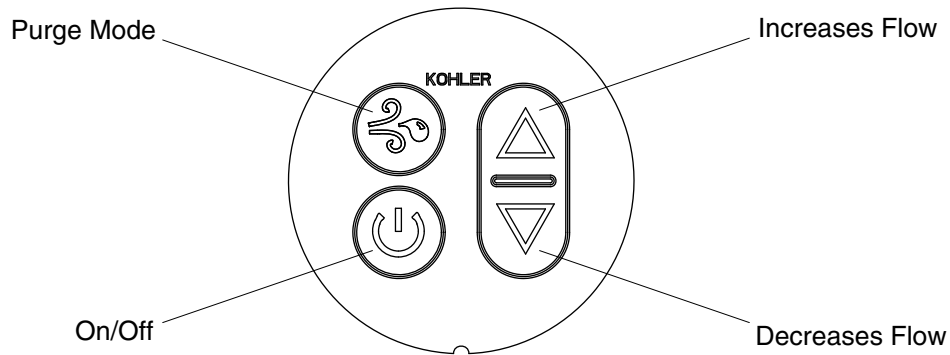
- Adjust the jets for optimum air/water mixture. Turn the jet trim rings clockwise to reduce the flow or counterclockwise to increase the flow. Position the jet nozzles to direct the water flow as desired.
- Press the air switch a second time to turn off the pump.
- Carefully exit the bath, then open the drain and empty the water.

**NOTE:** If the whirlpool system does not function properly, refer to the "Troubleshooting" section.

### Flush the Whirlpool System

**NOTE:** Flush the whirlpool system twice a month or more, depending on usage.

- Turn the jet trim rings fully clockwise to block air induction.
- Fill the bath with warm water at least 2" (51 mm) above the highest jets, or leave water in the bath after use.
- Add 2 teaspoons (10 ml) of a low-foaming, powder automatic dishwasher detergent and 20 ounces (590 ml) of household bleach (5% - 6% sodium hypochlorite) to the water.
- Run the whirlpool for 5 to 10 minutes. Turn off the whirlpool and drain.
- Rinse the surfaces of the bath, jets, faucet, handrails, and drain. Wipe dry with a soft cloth.



## Operating the Air System

**NOTE:** This is a combination whirlpool bath with airjets. For information on using the whirlpool features, refer to the "Operating the Whirlpool System" section.

**IMPORTANT!** This product contains an automatic water purge mode that turns the blower on for 2 minutes approximately 30 minutes after the unit is turned off and drained.

**NOTE:** The water temperature in the bath should never exceed 104°F (40°C).

- Close the drain, then fill the bath at least 2" (51 mm) above the highest whirlpool jet to provide adequate water supply for the air system.
- Use your hand to test the water temperature for comfort and safety, then carefully enter the bath.
- Press the [On/Off] icon to turn the blower on at medium speed.
- Press the [Up] or [Down] arrow icons to increase or decrease the air flow.

**NOTE:** The blower will turn off automatically following 20 minutes of operation, and can be immediately restarted if desired.

- Press the [On/Off] icon a second time to turn off the blower.
- Carefully exit and drain the bath.
- Press the [Purge Mode] icon to blow remaining water from the air channels. The blower will turn on for 2 minutes and then turn off automatically.

**NOTE:** About 30 minutes after the blower motor stops, a 2 minute purge mode will automatically start.

**NOTE:** If the bath does not function properly, refer to the "Troubleshooting" section.

## Care and Cleaning

For best results, keep the following in mind when caring for your KOHLER bath:

- Always test your cleaning solution on an inconspicuous area before applying to the entire surface.
- **Do not use abrasive cleansers or solvents.** Abrasive cleaners and solvents can damage the product surface.
- Wipe surfaces clean and rinse completely with water immediately after applying cleaner. Rinse and dry any overspray that lands on nearby surfaces.
- Do not allow cleaners to soak on surfaces.
- Use a soft, dampened sponge or cloth. Never use an abrasive material such as a brush or scouring pad to clean surfaces.

## Care and Cleaning (cont.)

- The ideal cleaning technique is to rinse thoroughly and blot dry any water from the surface after each use.

### Maintaining the Airjets

- If cleaning the airjets is necessary due to hard water deposits, wet a soft, non-abrasive cloth with white vinegar and wipe the plugged airjet holes. Immediately rinse the area with clean water to avoid long-term exposure of the vinegar to the airjet surface.
- Fill the bath with water to the top row of airjets. Drain the bath and press the purge button.

### Cleaning Your User Keypad

- Use a soft cloth to wipe the keypad after each use. If the surface becomes dirty, use a non-abrasive soap and warm water to clean.

For detailed cleaning information and products to consider, visit [www.kohler.com/clean](http://www.kohler.com/clean). To order Care & Cleaning information, call 1-800-456-4537.

## Warranty

### ONE-YEAR LIMITED WARRANTY

KOHLER plumbing products are warranted to be free of defects in material and workmanship for one year from date of installation.

Kohler Co. will, at its election, repair, replace or make appropriate adjustment where Kohler Co. inspection discloses any such defects occurring in normal usage within one (1) year after installation. Kohler Co. is not responsible for removal or installation costs. **Use of in-tank toilet cleaners will void the warranty.**

To obtain warranty service contact Kohler Co. either through your Dealer, Plumbing Contractor, Home Center or E-tailer, or by writing Kohler Co., Attn.: Customer Care Center, 444 Highland Drive, Kohler, WI 53044, USA, or by calling 1-800-4-KOHLER (1-800-456-4537) from within the USA and Canada, and 001-800-456-4537 from within Mexico, or visit [www.kohler.com](http://www.kohler.com) within the USA, [www.ca.kohler.com](http://www.ca.kohler.com) from within Canada, or [www.mx.kohler.com](http://www.mx.kohler.com) in Mexico.

**IMPLIED WARRANTIES INCLUDING THAT OF MERCHANTABILITY AND FITNESS FOR A PARTICULAR PURPOSE ARE EXPRESSLY LIMITED IN DURATION TO THE DURATION OF THIS WARRANTY. KOHLER CO. AND/OR SELLER DISCLAIM ANY LIABILITY FOR SPECIAL, INCIDENTAL OR CONSEQUENTIAL DAMAGES.** Some states/provinces do not allow limitations on how long an implied warranty lasts, or the exclusion or limitation of special, incidental or consequential damages, so these limitations and exclusions may not apply to you. This warranty gives you specific legal rights. You may also have other rights which vary from state/province to state/province.

**This is Kohler Co.'s exclusive written warranty.**

## Warranty

### For Mexico

KOHLER CO.

It is recommended that at the time of purchase, you verify that all accessories and components are complete in this package.

This Kohler product is warranted to be free of defects in material and workmanship for one (1) year from the date of purchase as shown on the invoice or receipt.

1. Kohler Co. will only service its commercialized products through its authorized distributors.
2. To obtain warranty service, please present the invoice and corresponding warranty.
3. Through its authorized distributors, Kohler Co. promises to repair the defective product or provide a new

**Warranty (cont.)**

replacement or an equivalent model (in those cases that the model has been discontinued) when the product is beyond repair, without any charge to the consumer.

4. The time of repair will not exceed six (6) weeks commencing on the date the product is received.

5. It is recommended that the consumer save the invoice or receipt as additional protection, as it may substitute the warranty in the case that there is a discrepancy in the validity of the warranty.

**EXCEPTIONS AND RESTRICTIONS**

The Warranty will not be valid in the following cases:

1. When the product is not operated in accordance with the instructions concerning use and operation set forth in the owner's manual or installation instructions, and when the recommendations and warnings included are not observed.

2. When the product has been modified or dismantled partially or totally; or has been used in a negligent fashion and as a consequence has suffered damages attributable to the consumer, individual, or hardware not authorized by Kohler Co.

3. This warranty does not cover the damages as a result of disaster such as fire or acts of God, including flooding, earthquake, or electric storms, etc. To obtain a list of distributors in your area where you can exercise your rights under this warranty, please call 001-800-456-4537.

KOHLER CO., KOHLER, WI 53044 U.S.A.

**IMPORTER:**

COMERCIALIZADORA INTERCERAMIC, S.A. DE C.V.

AV. CARLOS PACHECO NO. 7200, COL. MADERA 65

CHIHUAHUA, CHIH., MEXICO C.P. 31060

TEL: 52 (614) 429-11-11

**IMPORTER:**

GAMA MATERIALES Y ACEROS, SA DE CV

AVE LOS ANGELES NO. 1800

COL VALLE DEL NOGALAR, SAN NICOLAS DE LOS GARZA

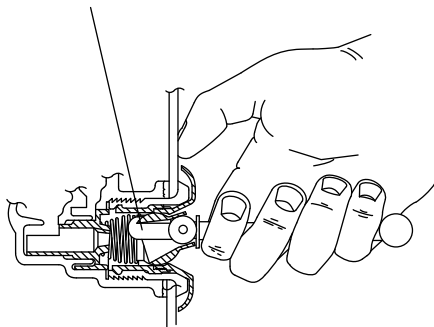
N.L. MEXICO

R.F.C. GMA901220U11

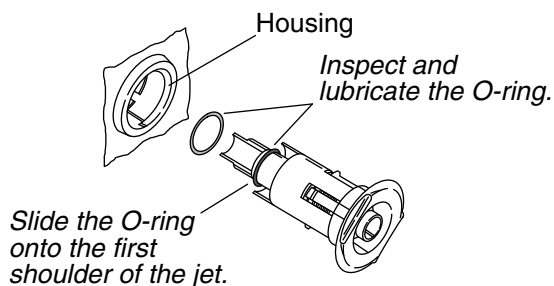
TEL: 81-1160-5500

### Remove the Jets

*Insert the tool hook as shown and pull the jet out of the housing. The jet should be facing up when this is done.*



### Reinstall the Jets



*Insert the jet into the housing, and lightly push and rotate until it snaps in position.*

## Troubleshooting

**NOTICE:** This section is for general aid only. A Kohler Co. Authorized Service Representative or qualified electrician should correct any electrical problems. For warranty service, call 1-800-4KOHLER from within the USA and Canada, or 001-800-456-4537 from within Mexico.

For service parts information, visit your product page at [www.kohler.com/serviceparts](http://www.kohler.com/serviceparts).

### Remove the Jets

**NOTE:** A special tool is provided with the replacement jets that will allow you to remove the jets from the whirlpool. This tool is also supplied with each trim kit.

- Position the jet ball nozzle so it is pointing upward.
- Insert the removal tool, hooked end up, into the opening of the jet and hook the inside top of the nozzle.
- Grasp the tool firmly and place your thumb against the whirlpool wall. Pull steadily on the tool until the jet assembly pulls free of the hole. Be careful not to lose the O-ring.

### Reinstall the Jets

**NOTE:** To allow easy rotation and proper operation of the jet, the O-ring must be: (1) correctly positioned, (2) lubricated, and (3) in good condition.

- Install the O-ring onto the **first shoulder** of the jet.
- Using the silicone lube packet (provided), lubricate the O-ring to prevent noisy operation of the jet.
- Carefully insert the jet into the housing, then lightly push and rotate the jet until it snaps into position. **Do not force the jet.**
- Verify the jet is installed correctly. The jet should turn smoothly both clockwise and counterclockwise. Remove and reinstall, if necessary.

## Troubleshooting (cont.)

### Whirlpool System

Symptoms	Probable Causes	Recommended Action
1. Whirlpool does not start or stop.	A. No power to motor.	A. Check that the pump and heater are plugged in and that the GFCI or RCD is switched to the correct position. Plug in or reset the GFCI/RCD as needed.
	B. Air hose is loose or disconnected.	B. Check that the hose is connected at both the receiver/pump end and to the air switch. Reconnect if needed.
	C. Air hose is pinched or kinked.	C. Adjust hose to clear the pinched/kinked area. If the tubing is pinched/kinked and cannot be readjusted, or no noticeable pinch/kink is apparent, poke a small hole in the tubing with a tack and try the system again.
	D. Push button assembly is damaged.	D. Replace the push button assembly.
	E. Push button has grease in the bleed area.	E. Disassemble the push button assembly and wipe away any excess grease. Reassemble the button and retry the system.
	F. Air hose is damaged.	F. Replace the air hose.
	G. Motor/pump does not work.	G. Replace the motor/pump.
2. Motor starts, not all jets are functioning.	A. Jet is closed.	A. Rotate jet trim ring counterclockwise to open.
	B. Jet not installed correctly.	B. Reinstall jet; check for O-ring damage.
	C. Jets are blocked.	C. Remove blockage.
3. Pump does not prime.	A. Pump shimmed too high.	A. Lower pump support bracket.
4. Noisy operation.	A. Pump banding straps have not been cut. (Models with support blocks only.)	A. Cut pump banding straps with tin snips.
	B. Jet O-ring dislodged.	B. Remove jet, replace and lubricate O-ring, and reinstall jet.
5. Heater does not operate. ("H" models only)	A. No power to heater.	A. Reset the GFCI or RCD.
	B. Water temperature exceeds 104°F (40°C).	B. Allow water to cool and heater will re-engage.
	C. Heater does not work.	C. Replace heater.

### Air System

Symptoms	Probable Causes	Recommended Action
1. Blower turns on by itself after the bath has been drained.	A. Normal operation. Automatic purge mode is working as designed.	A. No action is required. Automatic purge mode runs for 2 minutes 30 minutes after the bath is drained.
2. Blower turns off by itself after running for two minutes.	A. The Purge Mode icon was pressed instead of the On/Off icon.	A. Press the On/Off icon on the keypad. See the "Operating Instructions" section.

## Troubleshooting (cont.)

### Air System

Symptoms	Probable Causes	Recommended Action
3. Blower motor will not start.	A. Power cord from blower motor is loose, disconnected, or damaged.	A. Check wiring for proper connections.
	B. User keypad cable loose or damaged.	B. Check wire connections. If necessary, replace user keypad cable.
	C. User keypad does not work.	C. Replace user keypad.
	D. Blower motor does not work.	D. Replace the blower motor.
4. Blower motor stops running and will not immediately restart.	A. Blower motor overheated and protection device activated.	A. Check for blockage at blower air intake. Remove blockage and allow motor to cool.
5. Blower motor starts, some but not all airjets are working.	A. Blower motor speed is too low.	A. Increase speed.
	B. Blower motor inlet is blocked.	B. Clean blower motor inlet.
	C. Blower motor does not work.	C. Replace the blower motor.
	D. Blower motor discharge is blocked.	D. Clear blockage.
	E. Airjets are clogged.	E. Use a small between-the-teeth dental brush and white vinegar. Dip the brush in the vinegar, brush the hole, rinse the brush in clean water, and then use the wet rinsed brush to rinse the hole.
6. Blower motor runs but no air bubbles are observed.	A. Blower motor inlet is blocked.	A. Clean blower motor inlet.
	B. Airjets are clogged.	B. Use a small between-the-teeth dental brush and white vinegar. Dip the brush in the vinegar, brush the hole, rinse the brush in clean water, and then use the wet rinsed brush to rinse the hole.
	C. Blower motor does not work.	C. Replace the blower motor.
7. Blower motor operates, air bubbles are observed, but speed feature does not work.	A. Blower motor inlet is blocked.	A. Clean blower motor inlet.
	B. Loose, disconnected, or damaged wiring harness.	B. Check wiring for proper connections. Replace the wiring harness if necessary.
	C. User keypad does not work.	C. Replace the user keypad.
	D. Blower motor does not work.	D. Replace the blower motor.
8. Blower motor does not turn off when the On/Off button is pressed.	A. User keypad does not work.	A. Replace the user keypad.
	B. Loose, disconnected, or damaged wiring harness.	B. Check wiring for proper connections. Replace the wiring harness if necessary.
	C. Control does not work.	C. Replace the control.
9. Purge mode does not work.	A. User keypad does not work.	A. Replace the user keypad.
	B. Control does not work.	B. Replace the control.
10. Bath does not purge automatically.	A. Blower does not work.	A. Replace the blower.

# Guide d'installation et d'entretien

## Baignoire à hydromassage avec jets d'air

### Instructions d'installation



**AVERTISSEMENT:** Lors de l'utilisation de produits électriques, toujours observer les précautions de base, notamment:



**DANGER: Risque de choc électrique.** Raccorder uniquement à un circuit protégé par un disjoncteur de fuite de terre (GFCI)\*.

Les matériaux de construction et le câblage doivent être acheminés loin de la pompe à hydromassage, du moteur du souffleur et d'autres composants qui dégagent de la chaleur de l'appareil.

Installer de façon à permettre l'accès pour l'entretien.

Un connecteur à pression pour câbles marqué "Earth/Ground" (Terre/Masse) est fourni dans le compartiment de câblage. Afin de réduire les risques de choc électrique, raccorder ce connecteur à une borne de terre du panneau de service électrique ou du panneau d'alimentation avec un câble en cuivre ayant la même dimension que le conducteur du circuit qui alimente cet équipement.

Un connecteur à pression pour câbles est fourni à l'extérieur de la pompe ou de la commande de cet appareil afin de permettre la connexion d'un conducteur de mise à la terre entre cet appareil et toutes les autres surfaces de métal avoisinantes, tel que requis par les réglementations locales.

**Une mise à la terre est requise.** L'appareil doit être installé par un représentant qualifié et doit être mis à la terre.



**AVERTISSEMENT: Risque de blessures ou d'endommagement du matériel.** Toutes les instructions doivent être lues avec la plus grande attention avant de commencer l'installation, et toutes les conditions suivantes doivent être respectées.



**AVERTISSEMENT: Risque de choc électrique.** Un électricien qualifié doit effectuer toutes les connexions électriques.



**AVERTISSEMENT: Risque de choc électrique.** Déconnecter l'alimentation électrique avant d'effectuer un entretien.

**AVIS: Respecter tous les codes de plomberie et électriques locaux.** Installer cet appareil conformément au Code canadien de l'électricité, Partie 1.

\*Hors de l'Amérique du Nord, ce dispositif peut être connu sous le nom de dispositif à courant résiduel (RCD).

### Information sur le produit

#### Installations électriques requises

Cette installation doit être munie d'un disjoncteur de fuite de terre (GFCI) de classe A. Le disjoncteur GFCI protège contre les risques d'électrocution fil sous tension-terre. **Utiliser des services exclusifs de 120 V, 15 A, 60 Hz pour le moteur de la pompe et le souffleur.**

Les modèles "H" exigent une alimentation séparée de 120 V, 15 A, 60 Hz dédiée au chauffe-eau.

Si un cordon d'alimentation est endommagé, il doit être remplacé par le fabricant, son représentant technique ou un personnel ayant les mêmes qualifications, afin d'éviter tout danger. Le cordon d'alimentation du chauffe-eau ne peut pas être remplacé. Le chauffe-eau doit être remplacé si le cordon d'alimentation du chauffe-eau est endommagé.

## Information sur le produit (cont.)

\*Hors de l'Amérique du Nord, ce dispositif peut être connu sous le nom de dispositif à courant résiduel (RCD).

## Notices du produit



**AVERTISSEMENT: Des modifications non approuvées pourraient provoquer un fonctionnement dangereux et une mauvaise performance de la baignoire.** Ne pas déplacer la pompe à hydromassage ou le moteur du souffleur, et ne pas effectuer d'autres modifications sur le système de la baignoire, étant donné que cela pourrait affecter les performances et le fonctionnement sans danger du produit. Kohler Co. décline toute responsabilité sous sa garantie et pour toutes blessures ou tous dommages causés par de telles modifications non autorisées.

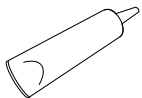
**AVIS:** Garder l'espace autour du souffleur propre et exempt de débris. S'assurer que l'espace autour du souffleur est exempt de sciure, de matériau isolant, de saleté ou d'autres petits débris volatiles. De tels matériaux pourraient boucher les conduits d'air du souffleur et réduire le débit d'air à travers le souffleur.

**AVIS:** Ce produit comprend un mode de purge d'eau automatique qui met le souffleur en marche pendant 2 minutes, 30 minutes environ après l'arrêt et la vidange du dispositif.

## Caractéristiques

Les composants installés à l'usine incluent un moteur de pompe, un chauffe-eau (modèles H) et un moteur de souffleur (chacun d'entre eux étant muni d'un cordon d'alimentation séparé), des jets d'hydromassage, une tuyauterie d'air, un interrupteur de débit d'air, et un clavier utilisateur. Aucun montage n'est nécessaire, sauf le câblage électrique et la plomberie.

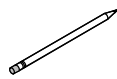
## Outils et matériaux



Mastic à la silicone



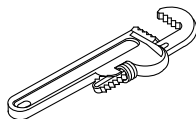
Mètre ruban



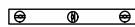
Crayon



Lunettes de protection



Clé à tuyau



Niveau à bulle

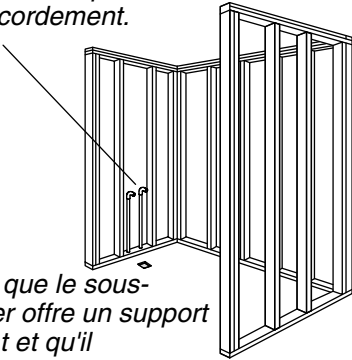
### Plus:

- Matériaux et outils à bois classiques
- Toile de protection
- Colle mastic (optionnelle)
- Ciment\* ou mortier (optionnel)
- 2x4

\* Ne pas utiliser de plâtre dur.

## Alcôve

Positionner la plomberie de raccordement.



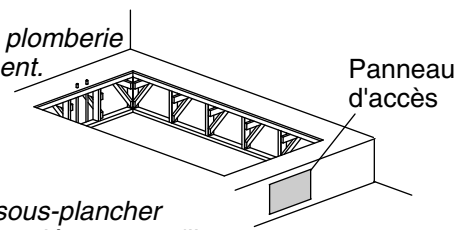
Vérifier que le sous-plancher offre un support adéquat et qu'il est plat et nivelé.

## À encastrer par le dessus

Construire une charpente à montants de 2x4 selon les dimensions du produit.

Positionner la plomberie de raccordement.

Effectuer la construction selon les dimensions du produit.



Vérifier que le sous-plancher offre un support adéquat et qu'il est plat et nivelé.

## 1. Préparer le site

**AVIS:** Mesurer le produit en question pour la préparation du site. Noter le **numéro de modèle** se trouvant sur le côté pompe/souffleur de la baignoire, puis visiter la page des produits sur le site [www.kohler.com](http://www.kohler.com) pour obtenir de l'information supplémentaire.

**AVIS:** Fournir un large espace non restreint pour pouvoir accéder à la pompe et au souffleur. Un accès doit être possible juste à côté de la pompe, du souffleur et des commandes pour permettre les entretiens.

**AVIS:** Ne pas soulever la baignoire par la tuyauterie, la pompe ou le souffleur, et ne pas utiliser ceux-ci comme support structurel de la baignoire. Afin d'éviter tout endommagement de la baignoire, soulever celle-ci par les côtés.

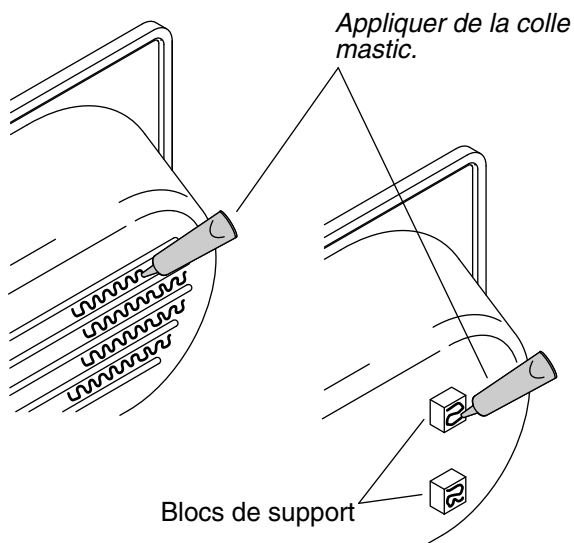
**AVIS:** Ne pas supporter le poids de charge de la baignoire par le rebord.

**AVIS:** Les modèles à encastrer par le dessus ne sont pas destinés à être installés en alcôve. Utiliser un modèle à bride pour les installations en alcôve.

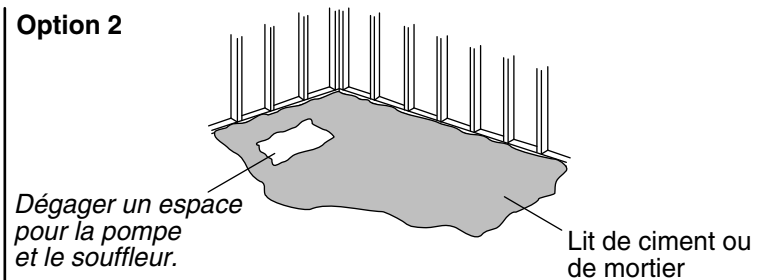
**REMARQUE:** Une installation à encastrer par le dessus ou en alcôve est possible, selon le produit choisi.

- Déballer et examiner soigneusement la nouvelle baignoire afin d'y déceler tout dommage avant d'effectuer l'installation. Si des dommages sont notés, ne pas installer la baignoire; contacter le concessionnaire.
- S'assurer que le plancher offre un support adéquat pour la baignoire et vérifier que le sous-plancher est plat et nivelé.
- Fournir une ventilation adéquate et 15 pieds cube (0,4 mètre cube) au moins d'espace d'air ouvert pour le refroidissement du moteur et pour fournir assez d'air au souffleur. Ne pas positionner le moteur du souffleur à une distance plus proche de 1" (25 mm) du mur ou d'autres objets.
- Construire une charpente avec des montants de 2 x 4.
- Installer un panneau d'accès sur le côté pompe/souffleur de la baignoire pour permettre les entretiens. Le panneau d'accès doit avoir une largeur de 30" (762 mm) et une hauteur de 15" (381 mm) au moins.
- Installer la plomberie de raccordement.
- Installer le drain sur la baignoire selon les instructions du fabricant du drain.
- Protéger la surface de la baignoire en plaçant une toile de protection propre dans le bas du bassin.

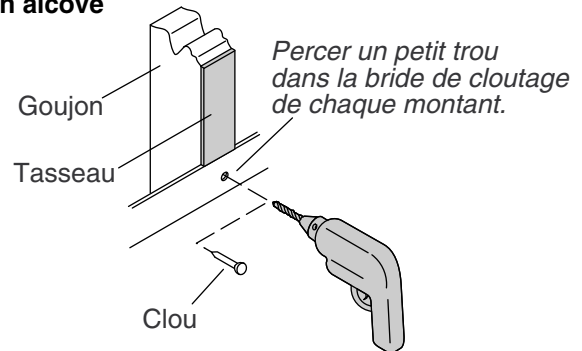
### Option 1



### Option 2



### Installations en alcôve



## 2. Installer la baignoire

**AVIS:** Ne pas soulever la baignoire par la tuyauterie ou le souffleur, et ne pas utiliser ceux-ci comme support structurel de la baignoire. Afin d'éviter tout endommagement de la baignoire, soulever celle-ci par les côtés.

- Si le sous-plancher n'est pas nivelé, placer des blocs de support ou des supports moulés sous la baignoire, selon les besoins.

### Option 1: Effectuer l'installation en utilisant de la colle mastic

**REMARQUE:** Certains modèles sont dotés de blocs de support; d'autres modèles ont des supports moulés.

- Appliquer une quantité suffisante de colle mastic de haute qualité sur la base des blocs de support ou des supports moulés. Avec de l'aide, lever la baignoire avec précaution et la positionner.

### Option 2: Utilisation de lit de ciment ou de mortier

**REMARQUE:** Ne pas utiliser de plâtre dur ou un mélange pour cloison sèche pour cette installation, car ces produits ne fournissent pas de scellement acceptable et durable.

- Placer la zone du bassin dans du ciment à maçonner de 1" (25 mm) à 2" (51 mm).

### Sécuriser les brides de clouage (unités à bride pour les installations en alcôve)

- Percer un petit trou-pilote à travers la bride de cloutage de chaque montant. Utiliser des cales selon les besoins.
- Utiliser des clous galvanisés à grande tête pour fixer la bride de cloutage sur les montants.
- Clouer les tasseaux sur les montants.

### Couper les sangles de retenue de la pompe

**IMPORTANT!** Exécuter cette étape pour que la baignoire à hydromassage fonctionne plus tranquillement.

- Couper les deux sangles de retenue de la pompe situées sur la pompe à hydromassage.

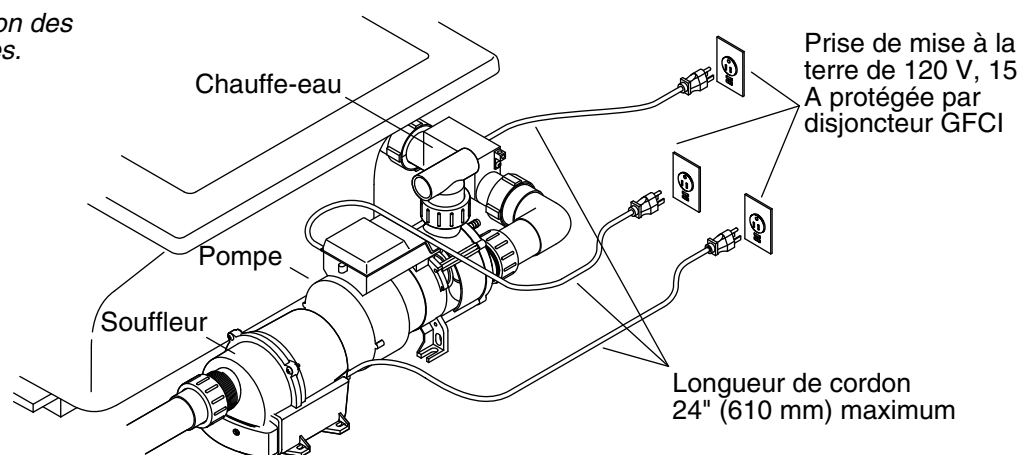
### **Installer la baignoire (cont.)**

**REMARQUE:** Ne pas soulever la pompe à un niveau supérieur à celui où elle se trouvait avant d'avoir coupé les sangles. Si la pompe est trop élevée, elle ne s'amorcera pas correctement. S'assurer que les pieds isolants en caoutchouc sont en place.

### **Installer la plomberie**

- Insérer la pièce de raccordement du drain dans le siphon. Fixer l'about du drain sur le siphon.
- Installer la vanne de robinet.
- Rechercher des fuites dans les connexions du drain.

Sceller en fonction des codes applicables.



### 3. Effectuer les connexions électriques – États-Unis et Mexique



**AVERTISSEMENT: Risque de choc électrique.** S'assurer que l'alimentation a été débranchée avant d'effectuer les procédures suivantes.



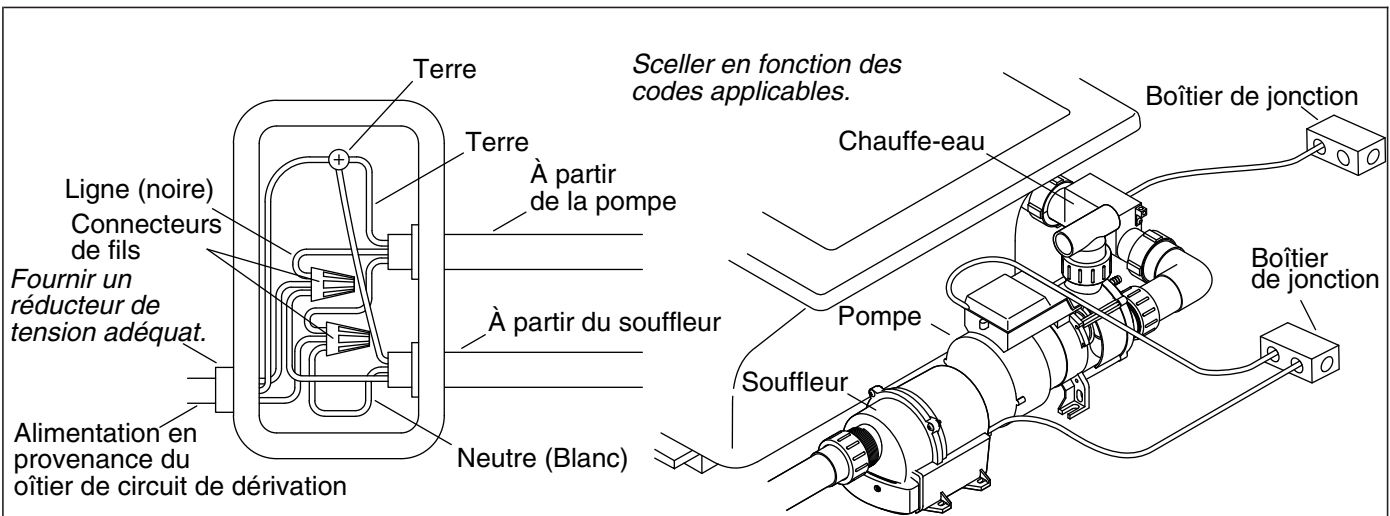
**AVERTISSEMENT: Risque de choc électrique.** Connecter le moteur de la pompe, le chauffe-eau en ligne (si inclus), et le souffleur à des prises avec mise à la terre correctement mises à la terre et protégées par des disjoncteurs de fuite de terre (GFCI) ou des dispositifs à courant résiduel (RCD). Ne pas retirer les broches de mise à la terre des fiches. Ne pas utiliser d'adaptateurs de mise à la terre.

**AVIS:** Le moteur de la pompe, le chauffe-eau en ligne (si inclus), et le souffleur sont équipés de cordons et de prises. Un électricien qualifié doit installer une prise mise à la terre dédiée de 120 V, 15 A, protégée par un disjoncteur de fuite de terre (GFCI) ou un dispositif de protection à courant résiduel (RCD) **pour chaque** dispositif. Aucune autre charge ne doit se trouver sur ces circuits.

**REMARQUE:** Une étiquette qui identifie le numéro de modèle et les caractéristiques électriques du produit est située à proximité de la pompe de la baignoire à hydromassage.

- Installer des prises électriques à l'arrière de la baignoire, à 1-1/2" (38 mm) au moins au-dessus du sous-plancher, et à proximité des cordons d'alimentation de 24" (610 mm).
- Brancher le moteur de la pompe, le souffleur, et le chauffe-eau en ligne (si inclus) dans ces prises.

**REMARQUE:** S'assurer d'attacher fermement la tubulure de l'actionneur pneumatique à la pompe, et vérifier qu'elle n'est ni pincée ni endommagée.



## 4. Effectuer les connexions électriques – Canada



**AVERTISSEMENT: Risque de choc électrique.** S'assurer que l'alimentation a été débranchée avant d'effectuer les procédures suivantes.



**AVERTISSEMENT: Risque de choc électrique.** Connecter le moteur de la pompe, le chauffe-eau en ligne (si inclus) et le souffleur à un disjoncteur de fuite de terre (GFCI) ou à un dispositif à courant résiduel (RCD) mis à la terre de manière appropriée. Ceci fournira une mesure de protection supplémentaire contre le risque d'électrocution par tension phase-terre.

**REMARQUE:** Une étiquette qui identifie le numéro de modèle et les caractéristiques électriques de la baignoire à hydromassage est située à proximité de la pompe de la baignoire à hydromassage.

- Positionner et sécuriser chaque boîte de jonction fournie à un minimum de 1-1/2" (38 mm) au-dessus du sous-plancher.
- Les commandes de la baignoire à hydromassage et le système ont été pré-câblés en usine. Un électricien qualifié doit faire le branchement de routine à la boîte de jonction.
- Effectuer le branchement sur la boîte de jonction. La boîte de jonction du modèle 60 Hz comprend des fils de ligne (noir) et neutre (blanc) et une cosse de mise à la terre.
- Un circuit dédié de 120 V, 15 A est requis. Fournir un disjoncteur de fuite de terre (GFCI) ou un dispositif à courant résiduel (RCD) de classe A.
- Prévoir un conducteur de terre séparé pour la terre intérieure ou la cosse de mise à la terre. Le conducteur **ne peut pas** être raccordé à un autre conducteur d'alimentation électrique.
- Raccorder conformément aux codes nationaux et locaux.

## 5. Terminer l'installation

### Tester le fonctionnement de la baignoire

- Remplir la baignoire à au moins 2" (51 mm) au-dessus du jet le plus élevé.
- Faire fonctionner la baignoire pendant 5 minutes et s'assurer qu'aucun des raccords des tuyaux ne présente de fuites. Rechercher des fuites le long de l'avant et des côtés de la baignoire, et à l'arrière de celle-ci.
- Pour obtenir de l'information supplémentaire sur le fonctionnement de la baignoire, se reporter aux sections "Utilisation du système à hydromassage" et "Utilisation du système d'air".

### Finir l'installation

- Installer le panneau mural hydrorésistant, ainsi que tous les matériaux du mur fini, de la plate-forme, et du plancher.

## Terminer l'installation (cont.)

- Appliquer un mastic à la silicone pour sceller toutes les zones où la baignoire et le mur fini ou la plate-forme entrent en contact.
- Installer la garniture de robinet.

## Nettoyer après l'installation

- Lors du nettoyage après l'installation, **ne pas utiliser de nettoyeurs abrasifs**, vu que ceux-ci risqueraient de rayer et d'abîmer la surface de la baignoire. Utiliser de l'eau chaude et un détergent liquide pour nettoyer la surface de la baignoire.
- Enlever les taches résistantes ou la peinture avec de l'essence de térébenthine ou un diluant pour peinture. **Ne pas laisser de nettoyeurs à base de distillats de pétrole rester en contact avec les surfaces de la baignoire pendant une longue période.** Retirer les résidus de plâtre en raclant avec précaution avec un bord en bois. Ne pas utiliser de grattoirs en métal, de brosses métalliques ou d'autres outils en métal. Utiliser un détergent en poudre sur un chiffon humide pour fournir une action abrasive légère sur les résidus de plâtre.

# Instructions Importantes sur la sécurité

## LIRE ET SUIVRE TOUTES LES INSTRUCTIONS

## CONSERVER CES INSTRUCTIONS

### INSTRUCTIONS RELATIVES AUX RISQUES D'INCENDIE, D'ÉLECTROCUTION OU DE BLESSURES CORPORELLES



**AVERTISSEMENT:** Lors de l'utilisation de produits électriques, toujours observer les précautions de base, notamment:



**DANGER:** Risque de blessures ou de noyade accidentelles Afin de réduire les risques de blessures, ne jamais permettre à un enfant d'utiliser cet appareil sans surveillance.



**AVERTISSEMENT:** Risque de blessures. Pour éviter les blessures corporelles, entrer et sortir avec précaution de la baignoire.



**AVERTISSEMENT:** Risque de choc électrique. Ne pas amener les appareils électriques (tels que des sèche-cheveux, des lampes, des téléphones, des radios ou des télévisions) dans un rayon de 5' (1,5 m) de cette baignoire.



**AVERTISSEMENT:** La consommation d'alcool, de drogues ou de médicaments peut augmenter considérablement le risque fatal d'hyperthermie. Une immersion prolongée dans l'eau chaude peut provoquer une hyperthermie. Une hyperthermie a lieu lorsque la température corporelle interne atteint un niveau dépassant de plusieurs degrés la température corporelle normale de 98,6°F (37°C). Les symptômes d'hyperthermie comprennent une hausse de la température corporelle interne, les étourdissements, une léthargie, une somnolence et les évanouissements. Les effets de l'hyperthermie comprennent: (a) défaut de percevoir la chaleur, (b) défaut de s'apercevoir du besoin de sortir de la baignoire, (c) incapacité de reconnaître le danger, (d) dommages au fœtus dans le cas des femmes enceintes, (e) incapacité physique de sortir de la baignoire et (f) inconscience et danger conséquent de noyade.



**AVERTISSEMENT:** Risque de préjudice corporel au fœtus. Les femmes enceintes ou qui pourraient être enceintes doivent consulter un médecin avant d'utiliser la baignoire.



**AVERTISSEMENT:** Risque d'hyperthermie ou de noyade. Ne pas utiliser la baignoire immédiatement après des exercices physiques rigoureux.

### Instructions Importantes sur la sécurité (cont.)



**AVERTISSEMENT: Risque d'hyperthermie ou de noyade.** Une température d'eau supérieure à 100°F (38°C) peut causer des traumatismes. Vérifier et régler la température de l'eau avant utilisation.

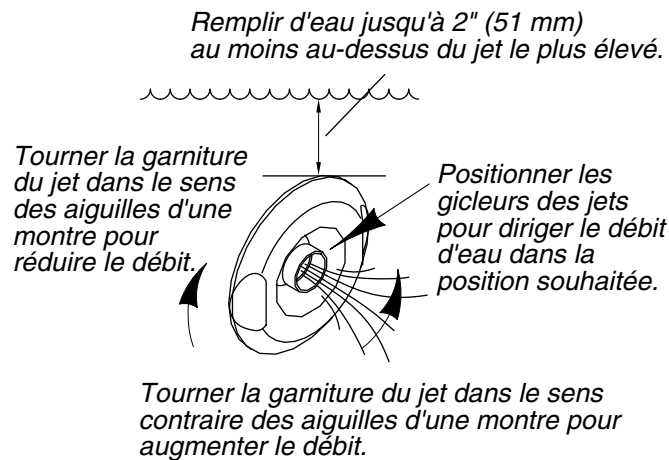


**AVERTISSEMENT: Risque de blessures.** Ne jamais faire tomber ou insérer un objet quelconque dans les ouvertures.

Utiliser cette baignoire uniquement aux fins décrites dans ce guide. Ne pas utiliser de dispositifs d'attache non recommandés par Kohler Co.

La baignoire doit être raccordée uniquement à un circuit d'alimentation qui est protégé par un disjoncteur de fuite de terre (GFCI)\*. L'installateur doit fournir un disjoncteur de fuite de terre de ce type et celui-ci doit être inspecté régulièrement. Pour inspecter le disjoncteur de fuite de terre, appuyer sur le bouton d'essai. Le disjoncteur de fuite de terre doit couper le courant. Appuyer sur le bouton de réinitialisation. L'alimentation devrait avoir été restaurée. Si le disjoncteur de fuite de terre ne fonctionne pas de cette manière, le disjoncteur est défectueux. Si le disjoncteur de fuite de terre interrompt l'alimentation de courant vers la baignoire sans que l'on ait appuyé sur le bouton d'essai, ceci indique qu'un courant à la terre est en train de circuler, et, par conséquent, la possibilité d'un choc électrique. Ne pas utiliser cette baignoire. Débrancher la baignoire et demander à un technicien qualifié de résoudre le problème avant d'utiliser celle-ci.

\*Hors de l'Amérique du Nord, ce dispositif peut être connu sous le nom de dispositif à courant résiduel (RCD).



## Utilisation du système à hydromassage

**REMARQUE:** Cette baignoire est une baignoire à hydromassage combinée avec des jets d'air. Pour obtenir de l'information sur l'utilisation des fonctions avec air, se reporter à la section "Fonctionnement du système d'air".

### Marche/arrêt des jets d'hydromassage

**REMARQUE:** La température de l'eau de la baignoire ne doit jamais dépasser 104°F (40°C).

- Fermer le drain, puis remplir la baignoire à au moins 2" (51 mm) au-dessus du haut du jet le plus élevé.
- Utiliser la main pour tester la température de l'eau pour le confort et la sécurité, puis entrer doucement dans la baignoire.
- Appuyer sur le commutateur de débit d'air pour mettre la pompe en marche.

**REMARQUE:** S'il est présent, le chauffe-eau se met automatiquement en marche.

- Ajuster les jets pour un mélange optimal de l'eau et de l'air. Tourner les bagues de garniture des jets dans le sens des aiguilles d'une montre pour réduire le débit, ou dans le sens contraire des aiguilles d'une montre pour augmenter le débit. Orienter les gicleurs des jets pour diriger le débit d'eau dans la position souhaitée.
- Appuyer sur le commutateur de débit d'air une deuxième fois pour arrêter la pompe.
- Sortir avec précaution de la baignoire, puis ouvrir le drain pour la vider de son eau.

**REMARQUE:** Si le système d'hydromassage ne fonctionne pas correctement, se référer à la section "Dépannage".

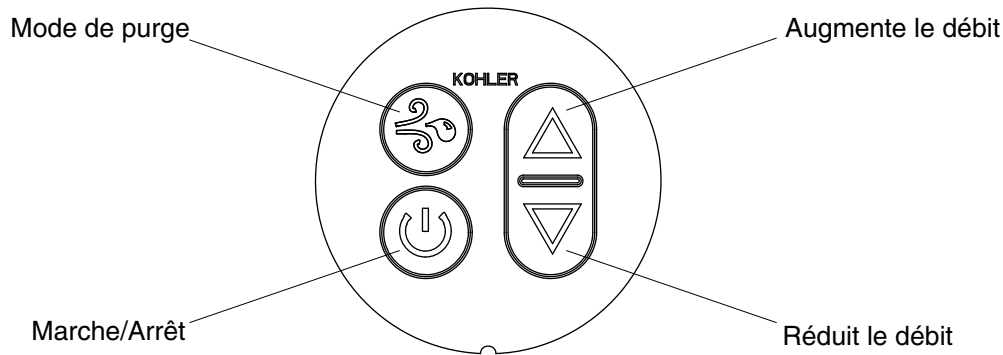
### Purger le système d'hydromassage

**REMARQUE:** Purger le système d'hydromassage deux fois par mois ou plus, selon la fréquence d'utilisation.

- Tourner les bagues de garniture des jets complètement dans le sens des aiguilles d'une montre pour bloquer l'induction d'air.
- Remplir la baignoire avec de l'eau chaude à 2" (51 mm) au moins au-dessus des jets les plus élevés, ou laisser l'eau dans la baignoire après chaque utilisation.
- Ajouter à l'eau 2 petites cuillères (10 ml) d'un détergent en poudre pour lave-vaisselle automatique peu moussant et 20 onces (590 ml) d'eau de javel domestique (5% à 6% d'hypochlorite de sodium).

### **Utilisation du système à hydromassage (cont.)**

- Faire fonctionner la baignoire à hydromassage pendant 5 à 10 minutes. Arrêter la baignoire à hydromassage et purger.
- Rincer les surfaces de la baignoire, des jets, du robinet, des mains courantes et du drain. Essuyer avec un chiffon doux.



## Utilisation du système d'air

**REMARQUE:** Cette baignoire est une baignoire à hydromassage combinée avec des jets d'air. Pour obtenir de l'information sur l'utilisation des fonctions d'hydromassage, se reporter à la section "Fonctionnement du système d'hydromassage".

**IMPORTANT!** Ce produit comprend un mode de purge d'eau automatique qui met le souffleur en marche pendant 2 minutes, 30 minutes environ après l'arrêt et la vidange du dispositif.

**REMARQUE:** La température de l'eau de la baignoire ne doit jamais dépasser 104°F (40°C).

- Fermer le drain, puis remplir la baignoire à 2" (51 mm) au moins au-dessus du jet à hydromassage le plus élevé pour fournir une arrivée d'eau adéquate pour le système d'air.
- Utiliser la main pour tester la température de l'eau pour le confort et la sécurité, puis entrer doucement dans la baignoire.
- Appuyer sur l'icône [Marche/Arrêt] pour mettre le souffleur en marche à une vitesse moyenne.
- Appuyer sur les icônes de flèches [vers le haut] ou [vers le bas] pour augmenter ou diminuer le débit d'air.

**REMARQUE:** Le souffleur s'éteint automatiquement au bout de 20 minutes de fonctionnement, et il peut être redémarré immédiatement si souhaité.

- Appuyer une deuxième fois sur l'icône [Marche/Arrêt] pour arrêter le souffleur.
- Sortir de la baignoire avec précaution et vider celle-ci.
- Appuyer sur l'icône [Mode Purge] pour souffler le reste d'eau hors des conduits d'air. Le souffleur se met en marche pendant 2 minutes, puis il s'arrête automatiquement.

**REMARQUE:** Au bout de 30 minutes environ après l'arrêt du moteur du souffleur, un mode de purge de 2 minutes se met en marche automatiquement.

**REMARQUE:** Si la baignoire ne fonctionne pas correctement, se référer à la section "Dépannage".

## Entretien et nettoyage

Pour obtenir les meilleurs résultats possibles, prendre ce qui suit en considération lors de l'entretien de votre baignoire KOHLER:

- Toujours tester la solution de nettoyage sur une surface non visible avant de l'appliquer sur l'ensemble de la surface.
- **Ne pas utiliser de solvants ou des nettoyeurs abrasifs.** Les solvants et les produits nettoyeurs abrasifs peuvent endommager la surface du produit.

## Entretien et nettoyage (cont.)

- Essuyer les surfaces et rincer complètement avec de l'eau immédiatement après l'application du nettoyant. Rincer et sécher tout éclaboussement sur les surfaces avoisinantes.
- Ne pas laisser les nettoyants tremper sur les surfaces.
- Utiliser une éponge ou un chiffon doux et humide. Ne jamais utiliser de matériau abrasif tel qu'une brosse ou une éponge à récurer pour nettoyer les surfaces.
- La technique idéale de nettoyage est de bien rincer et de sécher toute eau de la surface après chaque usage.

## Maintenance des jets d'air

- S'il est nécessaire de nettoyer les jets d'air en raison de dépôts d'eau dure, mouiller un chiffon doux, non abrasif, avec du vinaigre blanc et essuyer les orifices des jets d'air bouchés. Rincer immédiatement la surface avec de l'eau propre afin d'éviter une exposition à long terme du vinaigre à la surface des jets d'air.
- Remplir la baignoire avec de l'eau jusqu'à la rangée supérieure des jets d'air. Vidanger la baignoire et appuyer sur le bouton de purge.

## Nettoyage du clavier utilisateur

- Utiliser un chiffon doux pour essuyer le clavier après chaque utilisation. Si la surface devient sale, utiliser un savon non-abrasif et de l'eau tiède pour le nettoyage.

Pour obtenir des informations détaillées sur le nettoyage et les produits à considérer, consulter le site [www.kohler.com/clean](http://www.kohler.com/clean). Pour commander des informations sur l'entretien & le nettoyage, appeler le 1-800-456-4537.

## Garantie

### GARANTIE LIMITÉE D'UN AN

Les produits de plomberie KOHLER sont garantis contre tout vice de matériau et de fabrication pendant un an à partir de la date de l'installation.

Si un vice est découvert au cours d'une utilisation normale, Kohler Co. choisira, à sa discrétion, la réparation, le remplacement ou la rectification appropriée après inspection desdits vices par Kohler Co. pendant un (1) an à partir de la date d'installation. Kohler Co. n'est pas responsable des frais d'enlèvement ou d'installation.

**L'utilisation de nettoyants à l'intérieur du réservoir annule la garantie.**

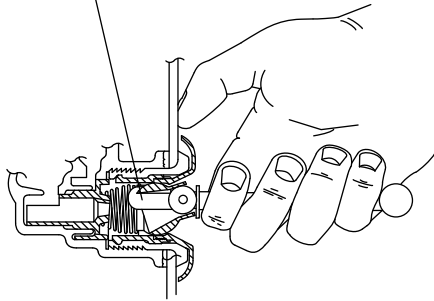
Pour obtenir le service de garantie, contacter Kohler Co., par l'intermédiaire du vendeur, plombier, centre de rénovation ou revendeur par internet, ou bien par écrit à l'adresse suivante Kohler Co., Attn.: Customer Care Center, 444 Highland Drive, Kohler, WI 53044, USA, ou appeler le 1-800-4-KOHLER (1-800-456-4537) à partir des É.-U. et du Canada, et le 001-800-456-4537 à partir du Mexique, ou consulter le site [www.kohler.com](http://www.kohler.com) aux É.-U., [www.ca.kohler.com](http://www.ca.kohler.com) à partir du Canada, ou [www.mx.kohler.com](http://www.mx.kohler.com) au Mexique.

**LES GARANTIES TACITES, Y COMPRIS CELLES DE COMMERCIALITÉ ET D'ADAPTATION À UN USAGE PARTICULIER, SONT EXPRESSÉMENT LIMITÉE À LA DURÉE DE LA PRÉSENTE GARANTIE. KOHLER CO. ET/OU LE REVENDEUR DÉCLINENT TOUTE RESPONSABILITÉ CONTRE LES DOMMAGES PARTICULIERS, ACCESSOIRES OU INDIRECTS.** Certains états et provinces ne permettent pas de limite sur la durée de la garantie tacite, ni l'exclusion ou la limite des dommages particuliers, accessoires ou indirects, et, par conséquent, lesdites limites et exclusions peuvent ne pas s'appliquer à votre cas. Cette garantie vous donne des droits juridiques particuliers. Vous pouvez également avoir d'autres droits qui varient d'un état ou d'une province à l'autre.

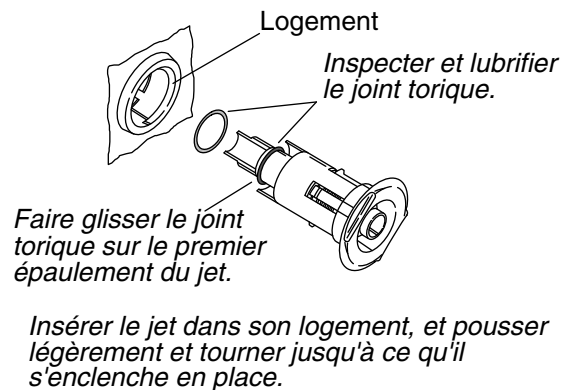
**Ceci constitue la garantie écrite exclusive de Kohler Co.**

### Retirer les jets

Insérer le crochet de l'outil comme sur l'illustration et tirer sur le jet pour le faire sortir de son logement. Le jet doit être tourné vers le haut lorsque ceci est effectué.



### Réinstaller les jets



## Dépannage

**AVIS:** Cette section est seulement destinée à une aide générale. Un représentant du service agréé Kohler Co. ou un électricien qualifié doit rectifier tous les problèmes électriques. Pour un service de garantie, appeler le 1-800-4KOHLER à partir des É.-U. et du Canada, ou le 001-800-456-4537 à partir du Mexique.

Pour tout renseignement sur les pièces de rechange, visiter la page du produit à [www.kohler.com/serviceparts](http://www.kohler.com/serviceparts).

### Retirer les jets

**REMARQUE:** Un outil spécial est fourni avec les jets de remplacement pour permettre de retirer les anciens jets de la baignoire à hydromassage. Cet outil est aussi fourni avec chaque kit de garniture.

- Positionner le gicleur à sphère du jet de façon à ce qu'il pointe vers le haut.
- Insérer l'outil d'extraction, avec son côté crochet vers le haut dans l'ouverture du jet et accrocher la partie supérieure intérieure du gicleur.
- Tenir l'outil fermement et placer le pouce contre le mur de la baignoire à hydromassage. Tirer de manière uniforme sur l'outil jusqu'à ce que l'ensemble du jet sorte du trou. Faire attention à ne pas perdre le joint torique.

### Réinstaller les jets

**REMARQUE:** Pour permettre une rotation aisée et un bon fonctionnement des jets, le joint torique doit être: (1) placé correctement, (2) lubrifié, et (3) en bon état.

- Installer le joint torique sur le **premier épaulement** du jet.
- Lubrifier le joint torique avec le paquet de lubrifiant à la silicone (fourni), afin d'éviter un fonctionnement bruyant du jet.
- Insérer délicatement le jet dans le logement, puis pousser légèrement sur le jet et tourner celui-ci jusqu'à ce qu'il s'enclenche en place. **Ne pas forcer le jet.**
- Vérifier que le jet est installé correctement. Le jet devrait pouvoir tourner sans difficulté dans le sens des aiguilles d'une montre, et dans le sens contraire. Retirer et réinstaller si nécessaire.

## Dépannage (cont.)

### Système d'hydromassage

Symptômes	Causes probables	Action recommandée
1. L'hydromassage ne démarre pas ou ne s'arrête pas.	A. Moteur non alimenté.	A. Vérifier que la pompe et que le chauffe-eau sont branchés et que le disjoncteur de fuite de terre (GFCI) ou le dispositif à courant différentiel (RCD) sont dans la position correcte. Brancher ou réinitialiser le dispositif GFCI/RCD selon les besoins.
	B. Le tuyau d'air est desserré ou déconnecté.	B. Vérifier que le tuyau est connecté aux deux extrémités receveur/pompe et au commutateur de débit d'air. Reconnecter si nécessaire.
	C. Le tuyau d'air est pincé ou déformé.	C. Ajuster le tuyau pour dégager la zone pincée/déformée. Si la tubulure est pincée/déformée et si elle ne peut être réajustée, ou si aucun pincement/aucune déformation évidents ne sont apparents, percer un petit trou dans la tubulure avec une punaise et essayer de nouveau le système.
	D. L'ensemble du bouton-poussoir est endommagé.	D. Remplacer l'ensemble du bouton-poussoir.
	E. De la graisse est présente dans la zone de purge du bouton-poussoir.	E. Désassembler l'ensemble du bouton-poussoir et essuyer tout excès de graisse. Réassembler le bouton et réessayer de faire fonctionner le système.
	F. Le tuyau d'air est endommagé.	F. Remplacer le tuyau d'air.
	G. Le moteur/la pompe ne fonctionne pas.	G. Remplacer le moteur/la pompe.
2. Le moteur démarre, certains jets ne fonctionnent pas.	A. Jet fermé.	A. Tourner la bague de garniture du jet dans le sens antihoraire pour ouvrir.
	B. Le jet n'est pas installé correctement.	B. Réinstaller le jet; vérifier l'état du joint torique.
	C. Jets obstrués.	C. Éliminer l'obstruction.
3. La pompe ne s'amorce pas.	A. Pompe placée trop haut.	A. Abaisser la bride de support de la pompe.
4. Fonctionnement bruyant.	A. Les sangles de retenue de la pompe n'ont pas été coupées. (Modèles avec des blocs de support uniquement.)	A. Couper les sangles de retenue de la pompe avec des bandes d'étain.
	B. Le joint torique est délogé.	B. Retirer le jet, remplacer et lubrifier le joint torique et réinstaller le jet.
5. Le chauffe-eau ne fonctionne pas. (Modèles "H" seulement)	A. Chauffe-eau non alimenté.	A. Réinitialiser le GFCI ou le RCD.
	B. La température de l'eau dépasse 104°F (40°C).	B. Laisser l'eau se refroidir et le chauffe-eau redémarrera.
	C. Le chauffe-eau ne fonctionne pas.	C. Remplacer le chauffe-eau.

## Dépannage (cont.)

### Système d'air

Symptômes	Causes probables	Action recommandée
1. Le souffleur se met en marche de lui-même lorsque la baignoire a été vidangée.	A. Fonctionnement normal. Le mode de purge automatique fonctionne tel que prévu.	A. Aucune action n'est requise. Le mode de purge automatique fonctionne pendant 2 minutes, 30 minutes après la vidange de la baignoire.
2. Le souffleur s'arrête de lui-même après avoir fonctionné pendant deux minutes.	A. On a appuyé sur l'icône Mode Purge au lieu de l'icône Marche/Arrêt.	A. Appuyer sur l'icône Marche/Arrêt sur le clavier utilisateur. Voir la section "Instructions d'opération".
3. Le moteur du souffleur ne démarre pas.	A. Le cordon d'alimentation en provenance du moteur du souffleur est desserré, déconnecté ou endommagé.	A. Inspecter le câblage pour vérifier que les connexions sont adéquates.
	B. Câble du clavier utilisateur desserré ou endommagé.	B. Vérifier les connexions de fils. Si nécessaire, remplacer le câble du clavier utilisateur.
	C. Le clavier utilisateur ne fonctionne pas.	C. Changer le clavier utilisateur.
	D. Le moteur du souffleur ne fonctionne pas.	D. Remplacer le moteur du souffleur.
4. Le moteur du souffleur s'arrête de fonctionner et ne redémarre pas immédiatement.	A. Moteur de souffleur surchauffé et système de protection activé.	A. Rechercher une obstruction au niveau de l'orifice d'entrée d'air du souffleur. Éliminer l'obstruction et laisser le moteur refroidir.
5. Le moteur du souffleur démarre, mais quelques jets d'air ne fonctionnent pas.	A. La vitesse du moteur du souffleur est trop basse.	A. Augmenter la vitesse.
	B. L'orifice d'entrée du moteur du souffleur est obstrué.	B. Nettoyer l'orifice d'entrée du moteur du souffleur.
	C. Le moteur du souffleur ne fonctionne pas.	C. Remplacer le moteur du souffleur.
	D. L'orifice de sortie du moteur du souffleur est obstrué.	D. Dégager l'obstruction.
	E. Les jets d'air sont bouchés.	E. Utiliser une petite brosse de nettoyage entre les dents et du vinaigre blanc. Tremper la brosse dans le vinaigre, brosser l'orifice, rincer la brosse à l'eau propre, puis utiliser la brosse mouillée et rincée pour rincer l'orifice.
6. Le moteur du souffleur fonctionne mais aucune bulle d'air n'est observée.	A. L'orifice d'entrée du moteur du souffleur est obstrué.	A. Nettoyer l'orifice d'entrée du moteur du souffleur.
	B. Les jets d'air sont bouchés.	B. Utiliser une petite brosse de nettoyage entre les dents et du vinaigre blanc. Tremper la brosse dans le vinaigre, brosser l'orifice, rincer la brosse à l'eau propre, puis utiliser la brosse mouillée et rincée pour rincer l'orifice.
	C. Le moteur du souffleur ne fonctionne pas.	C. Remplacer le moteur du souffleur.

**Dépannage (cont.)****Système d'air**

<b>Symptômes</b>	<b>Causes probables</b>	<b>Action recommandée</b>
7. Le moteur du souffleur fonctionne, des bulles d'air sont observées, mais la commande de vitesse ne fonctionne pas.	A. L'orifice d'entrée du moteur du souffleur est obstrué.	A. Nettoyer l'orifice d'entrée du moteur du souffleur.
	B. Le faisceau de câblage est desserré, déconnecté ou endommagé.	B. Vérifier les raccordements du câblage. Remplacer le faisceau de câblage si nécessaire.
	C. Le clavier utilisateur ne fonctionne pas.	C. Remplacer le clavier utilisateur.
	D. Le moteur du souffleur ne fonctionne pas.	D. Remplacer le moteur du souffleur.
8. Le moteur du souffleur ne s'arrête pas lorsque l'on appuie sur le bouton Marche/Arrêt.	A. Le clavier utilisateur ne fonctionne pas.	A. Remplacer le clavier utilisateur.
	B. Le faisceau de câblage est desserré, déconnecté ou endommagé.	B. Vérifier les raccordements du câblage. Remplacer le faisceau de câblage si nécessaire.
	C. La commande ne fonctionne pas.	C. Remplacer la commande.
9. Le mode de purge ne fonctionne pas.	A. Le clavier utilisateur ne fonctionne pas.	A. Remplacer le clavier utilisateur.
	B. La commande ne fonctionne pas.	B. Remplacer la commande.
10. La baignoire ne se purge pas automatiquement.	A. Le souffleur ne fonctionne pas.	A. Remplacer le souffleur.

# Guía de instalación y cuidado

## Bañera de hidromasaje con jets de aire

### Instrucciones de instalación



**ADVERTENCIA:** Al usar aparatos eléctricos siempre cumpla las precauciones básicas, incluidas las siguientes:



**PELIGRO: Riesgo de sacudidas eléctricas.** Solo conecte a un circuito protegido por un interruptor de circuito con pérdida a tierra (GFCI)\*.

El material de construcción y el cableado se deben colocar lejos de la bomba, motor soplador y otros componentes de la bañera de hidromasaje que produzcan calor.

Instale de manera que se permita el acceso para dar servicio.

El compartimiento de cables incluye un conector a presión marcado "Earth/Ground" (tierra). Para reducir el riesgo de una sacudida eléctrica, conecte este conector al terminal de tierra de su tablero eléctrico o al panel de suministro eléctrico con un cable de cobre del tamaño equivalente al conductor del circuito que alimenta este equipo.

En el exterior de la bomba o del control de esta unidad se incluye un conector a presión para permitir la conexión de un conductor de puesta a tierra entre esta unidad y el metal expuesto en las proximidades, tal y como lo requieran las normas locales.

**Se requiere conexión a tierra.** Un representante de servicio autorizado debe instalar esta unidad y conectarla a tierra.



**ADVERTENCIA: Riesgo de lesiones personales o de daños a la propiedad.** Lea atentamente todas las instrucciones antes de comenzar la instalación, incluidos los requisitos detallados a continuación.



**ADVERTENCIA: Riesgo de sacudidas eléctricas.** Un electricista calificado debe hacer todas las conexiones eléctricas.



**ADVERTENCIA: Riesgo de sacudidas eléctricas.** Desconecte el suministro eléctrico antes de dar servicio.

**AVISO: Cumpla todos los códigos locales de electricidad y de plomería.** En Canadá, instale la unidad conforme al Código Eléctrico Canadiense, Parte 1.

\*Fuera de los Estados Unidos, este dispositivo se conoce como dispositivo de corriente residual (RCD, por sus siglas en inglés).

### Información sobre el producto

#### Requisitos eléctricos

La instalación debe contar con interruptores de circuito con pérdida a tierra (GFCI) de Clase A. Los GFCI protegen contra el peligro de sacudida eléctrica de línea a tierra. **Utilice circuitos eléctricos dedicados de 120 V, 15 A, 60 Hz para el motor bomba y el soplador.**

Los modelos "H" requieren un circuito dedicado de 120 V, 15 A y 60 Hz para el calentador.

Si el cable de fuente de alimentación eléctrica está dañado, debe ser reemplazado por el fabricante, su agente de servicio o personas igualmente calificadas para así evitar un peligro. El cable eléctrico del calentador no se puede reemplazar. Si el cable eléctrico del calentador está dañado, el calentador se debe reemplazar.

## Información sobre el producto (cont.)

\*Fuera de los Estados Unidos, este dispositivo se conoce como dispositivo de corriente residual (RCD, por sus siglas en inglés).

## Avisos sobre el producto



**ADVERTENCIA:** Las modificaciones no autorizadas pueden causar un funcionamiento peligroso y bajo rendimiento de la bañera. No cambie la ubicación del motor bomba ni del motor soplador, ni haga otras modificaciones al sistema de la bañera de hidromasaje, pues esto podría tener un efecto adverso en el rendimiento y en el funcionamiento seguro del producto. Kohler Co. no será responsable bajo su garantía o de ninguna otra forma, de lesiones personales o daños provocados por modificaciones no autorizadas.

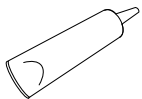
**AVISO:** Mantenga limpia y sin suciedad el área alrededor del soplador. Asegúrese de que en el área alrededor del soplador no haya aserrín, material aislante, suciedad u otras partículas sueltas pequeñas. Dichos materiales pueden tapar los conductos de aire del soplador y reducir el flujo de aire a través del soplador.

**AVISO:** Este producto tiene un modo de purga automática de agua que enciende el soplador durante 2 minutos aproximadamente 30 minutos después de apagar y drenar la unidad.

## Características

Los componentes instalados en fábrica incluyen el motor bomba, calentador (modelos H), y el motor soplador (cada uno con un cable de fuente de alimentación separado), jets de hidromasaje, tubería de aire, interruptor de aire, y teclado. Aparte del cableado eléctrico y la instalación de plomería, no es necesario realizar ningún tipo de ensamblaje.

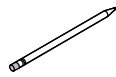
## Herramientas y materiales



Sellador de silicona



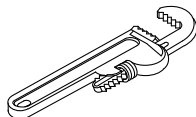
Cinta para medir



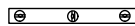
Lápiz



Lentes de seguridad



Llave para tubos



Nivel

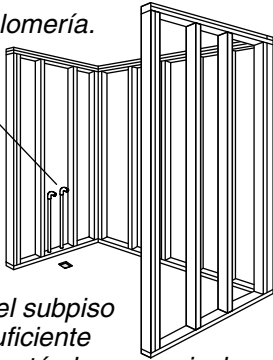
### Más:

- Herramientas y materiales convencionales de carpintería
- Lona
- Adhesivo de construcción (opcional)
- Cemento\* o mortero (opcional)
- Postes de madera de 2x4

\* No utilice cemento de yeso.

### Encajonado entre tres paredes

Coloque las tuberías de plomería.

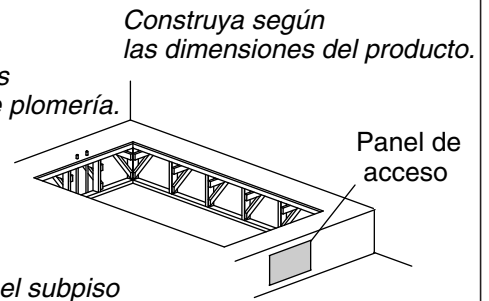


Verifique que el subpiso proporcione suficiente soporte y que esté plano y a nivel.

Construya una estructura de postes de madera de 2x4 según las dimensiones del producto.

### De sobreponer

Coloque las tuberías de plomería.



Verifique que el subpiso proporcione suficiente soporte y que esté plano y a nivel.

## 1. Prepare el sitio

**AVISO:** Mida su producto real para la preparación del lugar. Fíjese en el **número de modelo** ubicado en el extremo que lleva la bomba/soplador de la bañera, luego visite la página del producto en [www.kohler.com](http://www.kohler.com) para información adicional.

**AVISO:** Provea amplio acceso y sin restricciones a la bomba y al soplador. El acceso se tiene que proveer inmediatamente junto a la bomba, el soplador y los controles para dar servicio.

**AVISO:** No levante la bañera por los tubos, la bomba o el soplador, ni los utilice como soporte estructural de la bañera. Para evitar daños a la bañera, levántela por el reborde a los lados de la bañera.

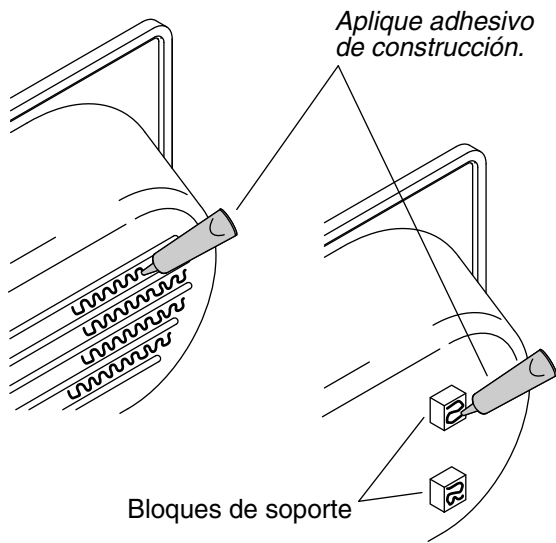
**AVISO:** No apoye el peso de la bañera sobre el reborde.

**AVISO:** Los modelos de sobreponer no están diseñados para una instalación encajonada entre tres paredes. Utilice un modelo de pestaña para instalaciones encajonadas entre tres paredes.

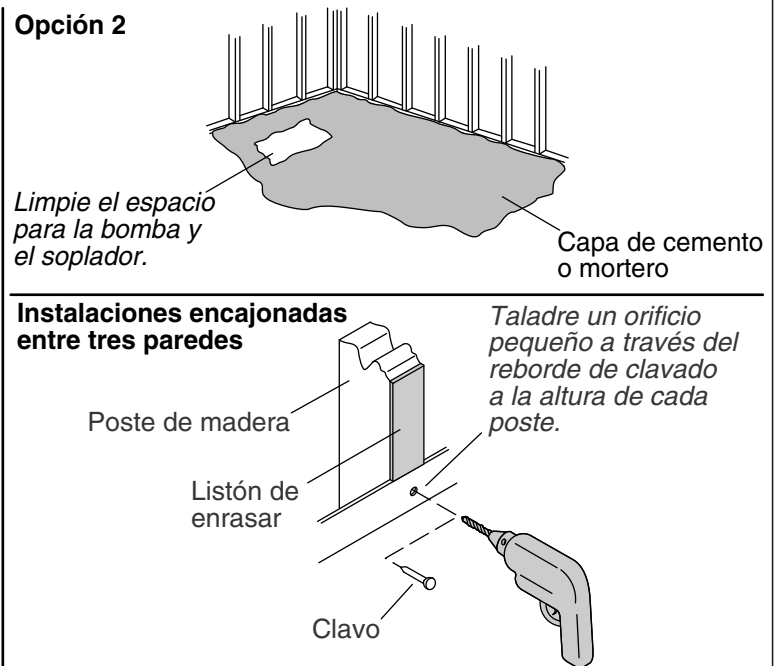
**NOTA:** Dependiendo del producto elegido, es posible realizar una instalación de sobreponer o encajonada entre tres paredes.

- Antes de la instalación, saque las piezas de su caja y revise que la bañera nueva no presente daño. Si la bañera presenta daño, no la instale; comuníquese con su distribuidor.
- Verifique que el piso proporcione el soporte adecuado para su bañera, y que el subpiso esté plano y nivelado.
- Proporcione la ventilación adecuada y un espacio de aire libre mínimo de 15 pies cúbicos (0,4 metros cúbicos) para enfriamiento del motor y suministrar suficiente aire al soplador. No coloque el motor soplador a menos de 1" (25 mm) de distancia de la pared u otros objetos.
- Construya la estructura de postes de madera de 2x4.
- Instale un panel de acceso en el lado de la bañera que lleva la bomba/soplador para dar servicio. Este panel de acceso debe tener por lo menos 30" (762 mm) de ancho y 15" (381 mm) de alto.
- Instale el tendido de plomería.
- Instale el desagüe en la bañera de acuerdo a las instrucciones del fabricante del desagüe.
- Coloque una lona limpia en el fondo para proteger la superficie de la bañera.

### Opción 1



### Opción 2



## 2. Instale la bañera

**AVISO:** No levante la bañera por los tubos o por el soplador, ni los utilice como soporte estructural de la bañera. Para evitar daños a la bañera, levántela por el reborde a los lados de la bañera.

- Si el subpiso no está a nivel, acúñe los bloques de soporte o los soportes moldeados de la bañera según sea necesario.

### Opción 1: Instale utilizando adhesivo de construcción

**NOTA:** Algunos modelos vienen con bloques de soporte; algunos modelos tienen soportes moldeados.

- Aplique una cantidad abundante de adhesivo de construcción de alta calidad en la parte inferior de los bloques de soporte o de los soportes moldeados. Con ayuda, coloque con cuidado la bañera en su lugar.

### Opción 2: Instale utilizando una capa de cemento o mortero

**NOTA:** No utilice cemento de yeso o pasta para paneles de yeso con esta aplicación, puesto que no proporcionará una adherencia aceptable ni duradera.

- Coloque el área del fondo en una capa de cemento mortero de 1" (25 mm) a 2" (51 mm).

### Fije las pestañas para clavar (unidades con pestaña para instalaciones encajonadas entre tres paredes)

- Taladre un pequeño orificio guía a través de la pestaña para clavar en cada poste de madera. Agregue cuñas según sea necesario.
- Utilice clavos galvanizados de cabeza grande para fijar la pestaña para clavar a los postes de madera.
- Clave listones de enrasar en los postes de madera.

### Corte las cintas flejadoras que sujetan la bomba

**¡IMPORTANTE!** Realice este paso para que la bañera de hidromasaje funcione más silenciosamente.

- Corte las dos cintas flejadoras la bomba en la bañera de hidromasaje.

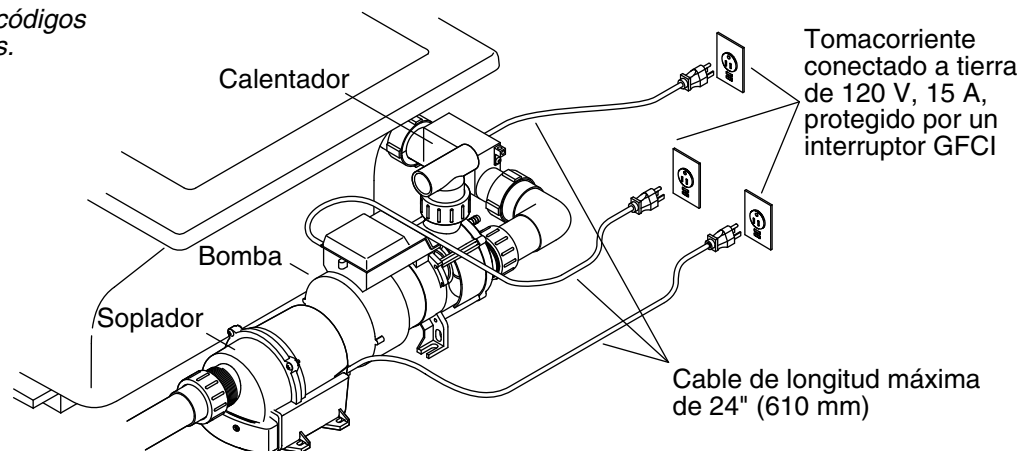
### **Instale la bañera (cont.)**

**NOTA:** No suba la bomba más arriba de lo que estaba antes de cortar las cintas metálicas. Si la bomba está demasiado alta, no cebará correctamente. Asegúrese de que los pies aislantes de goma estén en su lugar.

### **Instale la plomería**

- Introduzca el tubo final de desagüe en la trampa. Fije el tubo final de desagüe en la trampa.
- Instale la válvula de la grifería.
- Revise que no haya fugas en las conexiones de desagüe.

Cumpla con los códigos correspondientes.



### 3. Realice las conexiones eléctricas – EE.UU. y México



**ADVERTENCIA: Riesgo de sacudidas eléctricas.** Asegúrese de desconectar la corriente eléctrica antes de realizar el siguiente procedimiento.



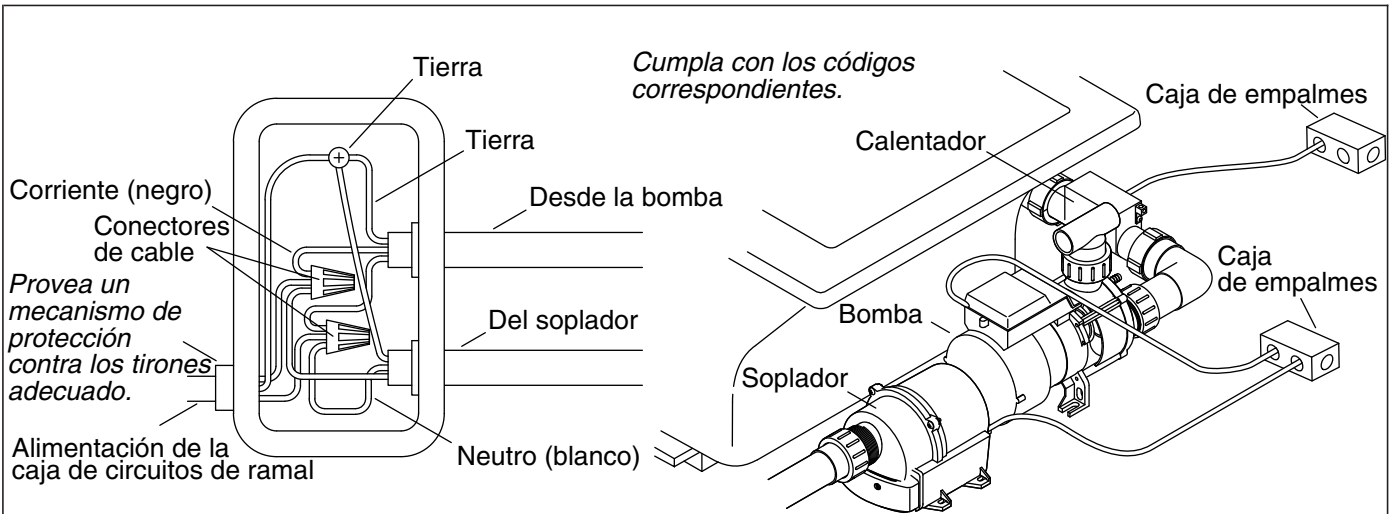
**ADVERTENCIA: Riesgo de sacudidas eléctricas.** Conecte el motor bomba y el calentador en línea (si provisto) y el soplador a un tomacorriente con conexión a tierra que tenga protección mediante un interruptor de circuito con pérdida a tierra (GFCI) o dispositivo de corriente residual (RCD). No retire las clavijas de conexión a tierra de los enchufes. No utilice adaptadores de conexión a tierra.

**AVISO:** El motor bomba, calentador en línea (si se incluye), y el soplador están equipados con cables y enchufes. Un electricista calificado debe instalar un tomacorriente dedicado conectado a tierra, de 120 V, 15 A con protección mediante un interruptor GFCI o RCD para **cada** aparato. El circuito no debe tener ninguna otra carga.

**NOTA:** Una etiqueta que identifica el número de modelo y la capacidad nominal eléctrica del producto se encuentra cerca de la bomba de hidromasaje.

- Instale los tomacorrientes eléctricos detrás de la bañera, por lo menos a 1-1/2" (38 mm) arriba del subpiso y dentro del alcance de los cables eléctricos de 24" (610 mm).
- Enchufe el motor bomba, soplador y calentador en línea (si se incluye) en estos tomacorrientes.

**NOTA:** Asegúrese de que el tubo del accionador de aire esté bien conectado a la bomba y que no esté doblado ni dañado.



#### 4. Realice las conexiones eléctricas – Canadá



**ADVERTENCIA: Riesgo de sacudidas eléctricas.** Asegúrese de desconectar la corriente eléctrica antes de realizar el siguiente procedimiento.



**ADVERTENCIA: Riesgo de sacudidas eléctricas.** Conecte el motor de la bomba, el calentador en línea (si se incluye), y el soplador a un interruptor de circuito con pérdida a tierra (GFCI) o a un dispositivo de corriente residual (RCD) con conexión a tierra. Esto servirá de protección adicional contra el peligro de sacudida eléctrica de línea a tierra.

**NOTA:** Una etiqueta que identifica el número de modelo y la capacidad nominal eléctrica de la bañera de hidromasaje se encuentra cerca de la bomba de hidromasaje.

- Coloque y fije cada caja de empalmes provista a un mínimo de 1-1/2" (38 mm) sobre el subpiso.
- El cableado de los controles y del sistema de la bañera de hidromasaje se ha realizado en la fábrica. Un electricista calificado debe realizar las conexiones eléctricas a la caja de empalmes.
- Conecte el cable de servicio eléctrico a la caja de empalmes. La caja de empalmes de 60 Hz tiene cables de corriente de línea (negro) y neutro (blanco), y una lengüeta de conexión a tierra.
- Se requiere un circuito dedicado de 120 V, 15 A. Provea un GFCI Clase A o RCD.
- Provea un conductor de conexión a tierra del equipo por separado para la lengüeta de conexión a tierra o tierra interior. El conductor **no debe** estar conectado a ningún otro conductor portador de corriente.
- Haga los empalmes de acuerdo a los códigos nacionales y locales.

#### 5. Termine de hacer la instalación

##### Pruebe el funcionamiento de la bañera

- Llene la bañera por lo menos 2" (51 mm) arriba del jet más alto.
- Deje funcionar la bañera durante 5 minutos y revise que no haya fugas en las conexiones de todas las tuberías. Verifique que no haya fugas a lo largo del frente, los lados y la parte posterior de la bañera.
- Para información adicional sobre el funcionamiento de la bañera, consulte las secciones "Funcionamiento del sistema de hidromasaje" y "Funcionamiento del sistema de aire".

##### Acabe la instalación

- Instale panel de yeso impermeable y los materiales de acabado de la pared, la cubierta y el piso.
- Aplique sellador de silicona para sellar todas las áreas donde la bañera y la pared acabada o la cubierta hacen contacto.

### Termine de hacer la instalación (cont.)

- Instale la guarnición de la grifería.

### Limpieza después de la instalación

- Al limpiar después de la instalación, **no utilice productos de limpieza abrasivos** pues pueden rayar y opacar la superficie de la bañera. Utilice agua tibia y un detergente líquido para limpiar la superficie de la bañera.
- Limpie las manchas difíciles de quitar o la pintura con aguarrás o diluyente de pintura. **No permita que los productos de limpieza que contengan destilados de petróleo permanezcan en contacto con la superficie de la bañera por periodos prolongados.** Retire con cuidado el yeso raspando con un canto de madera. No utilice raspadores de metal, cepillos de alambre ni otras herramientas metálicas. Se puede utilizar un detergente en polvo con un trapo húmedo para proporcionar una acción abrasiva suave en los residuos de yeso.

## Instrucciones importantes de seguridad

### LEA Y SIGA TODAS LAS INSTRUCCIONES

### GUARDE ESTAS INSTRUCCIONES

#### INSTRUCCIONES RELATIVAS A LOS RIESGOS DE INCENDIO, SACUDIDA ELÉCTRICA O LESIONES PERSONALES



**ADVERTENCIA:** Al usar aparatos eléctricos siempre cumpla las precauciones básicas, incluidas las siguientes:



**PELIGRO: Riesgo de lesiones personales o ahogamiento.** Para reducir el riesgo de lesiones, no permita que los niños usen este producto sin supervisión estricta en todo momento.



**ADVERTENCIA: Riesgo de lesiones personales.** Para evitar lesiones, tenga cuidado al entrar y al salir de la bañera.



**ADVERTENCIA: Riesgo de sacudidas eléctricas.** No coloque aparatos eléctricos (como secador de pelo, lámparas, teléfono, radio o televisión) a menos de 5' (1,5 m) de esta bañera.



**ADVERTENCIA: El uso de alcohol, drogas o medicamentos puede aumentar enormemente el riesgo de sufrir hipertermia fatal.** La inmersión prolongada en agua caliente puede producir hipertermia. La hipertermia ocurre cuando la temperatura interna del cuerpo alcanza un nivel varios grados más arriba de la temperatura corporal normal de 98,6°F (37°C). Los síntomas de la hipertermia incluyen aumento de la temperatura corporal interna, mareos, letargo, somnolencia y desfallecimiento. Los efectos de la hipertermia incluyen: (a) incapacidad para percibir calor, (b) incapacidad para reconocer la necesidad de salir de la bañera, (c) inconsciencia de un peligro inminente, (d) daño al feto en mujeres embarazadas, (e) inhabilidad física para salir de la bañera y (f) pérdida del conocimiento con peligro de ahogarse.



**ADVERTENCIA: Riesgo de lesiones mortales.** Las mujeres embarazadas o que posiblemente estén embarazadas deben consultar a un médico antes de usar la bañera.



**ADVERTENCIA: Riesgo de hipertermia o ahogamiento.** No utilice la bañera inmediatamente después de hacer ejercicio.



**ADVERTENCIA: Riesgo de hipertermia o ahogamiento.** Una temperatura del agua superior de los 100°F (38°C) puede causar lesiones. Pruebe y ajuste la temperatura del agua antes de utilizar.

## Instrucciones importantes de seguridad (cont.)

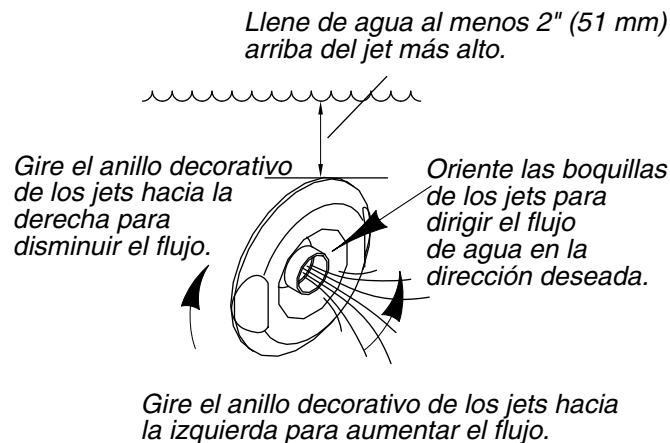


**ADVERTENCIA: Riesgo de lesiones personales.** No deje caer ni introduzca objetos en ninguna de las aberturas.

Use esta bañera únicamente con el fin para el que se ha fabricado, tal como se explica en esta guía. No use equipos adicionales que no estén recomendados por Kohler Co.

La bañera se debe conectar a un circuito protegido por un interruptor de circuito con pérdida a tierra (GFCI)\*. El instalador debe suministrar dicho interruptor GFCI, cuyo funcionamiento debe probarse en forma rutinaria. Para probar el GFCI, oprima el botón de prueba. El GFCI debe interrumpir el suministro eléctrico. Oprima el botón de restablecer (Reset) la alimentación eléctrica. Esto debe restablecer la alimentación eléctrica. Si el interruptor de protección GFCI no funciona de este modo, significa que está averiado. Si el GFCI interrumpe la alimentación eléctrica a la bañera sin haber activado el botón de prueba, significa que existe corriente a tierra, lo que indica la posibilidad de una sacudida eléctrica. No utilice esta bañera. Desconecte la bañera y solicite que un representante de servicio autorizado solucione el problema.

\*Fuera de los Estados Unidos, este dispositivo se conoce como dispositivo de corriente residual (RCD, por sus siglas en inglés).



## Funcionamiento del sistema de hidromasaje

**NOTA:** Esta bañera tiene es una combinación de bañera de hidromasaje con jets de aire. Para información sobre el uso de las funciones de aire, consulte la sección "Funcionamiento del sistema de aire".

### Encienda/apague los jets de hidromasaje

**NOTA:** La temperatura del agua en la bañera nunca debe exceder 104°F (40°C).

- Cierre el desagüe, luego llene la bañera por lo menos 2" (51 mm) arriba del jet más alto.
- Pruebe la temperatura del agua con la mano para su confort y seguridad, luego entre con cuidado a la bañera.
- Oprima el interruptor de aire para encender la bomba.

**NOTA:** El calentador, si está equipado, se encenderá automáticamente.

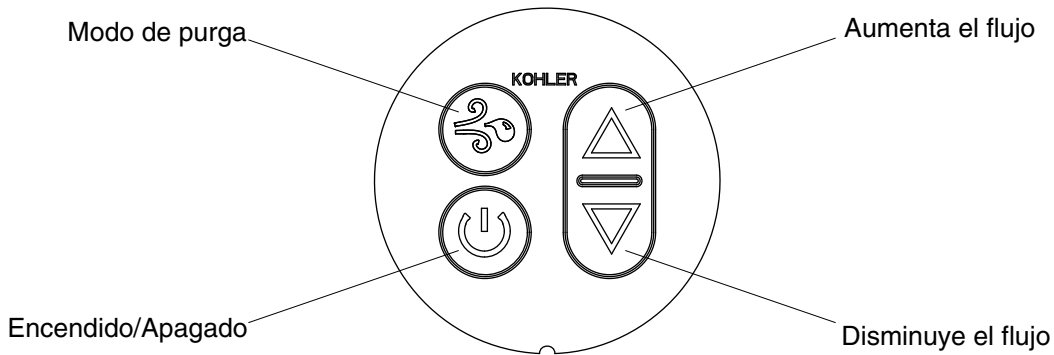
- Ajuste los jets para obtener una mezcla óptima de aire/agua. Gire los anillos decorativos del jet hacia la derecha para reducir el flujo o hacia la izquierda para aumentarlo. Oriente las boquillas de los jets para dirigir el flujo de agua en la dirección deseada.
- Oprima el interruptor de aire por segunda vez para apagar la bomba.
- Salga con cuidado de la bañera, luego abra el desagüe para vaciar el agua.

**NOTA:** Si el sistema de hidromasaje no funciona correctamente, consulte la sección "Guía para resolver problemas".

### Limpie el sistema de hidromasaje

**NOTA:** Limpie el sistema de hidromasaje dos o más veces al mes, dependiendo del uso.

- Gire los anillos de guarnición de los jets completamente hacia la derecha para eliminar la inducción de aire.
- Llene la bañera con agua tibia hasta que sobrepase 2" (51 mm) arriba de los jets más altos o deje el agua en la bañera después de usarla.
- Añada al agua 2 cucharaditas (10 ml) de detergente para lavaplatos automática que espume poco y 20 onzas (590 ml) de blanqueador para uso doméstico (5% - 6% hipoclorito sódico).
- Haga funcionar la bañera de hidromasaje de 5 a 10 minutos. Apague la bañera de hidromasaje y drene.
- Enjuague las superficies de la bañera, los jets, la grifería, las agarraderas y el desagüe. Seque con un paño suave.



## Funcionamiento del sistema de aire

**NOTA:** Esta bañera tiene es una combinación de bañera de hidromasaje con jets de aire. Para información sobre el uso de las funciones de hidromasaje, consulte la sección "Funcionamiento del sistema de hidromasaje".

**¡IMPORTANTE!** Este producto tiene un modo de purga automática de agua que enciende el soplador durante 2 minutos aproximadamente 30 minutos después de apagar y vaciar la unidad.

**NOTA:** La temperatura del agua en la bañera nunca debe exceder 104°F (40°C).

- Cierre el desagüe, luego llene la bañera por lo menos 2" (51 mm) arriba del jet de hidromasaje más alto para proveer un suministro de agua adecuado para el sistema de aire.
- Pruebe la temperatura del agua con la mano para su confort y seguridad, luego entre con cuidado a la bañera.
- Oprima el icono [Encendido/Apagado] para encender el soplador a una velocidad media.
- Oprima los iconos de flecha hacia [Arriba] o [Abajo] para aumentar o disminuir el flujo de aire.

**NOTA:** El soplador se apaga automáticamente después de 20 minutos de funcionamiento, y si desea puede volver a encenderlo inmediatamente.

- Vuelva a oprimir el icono [Encendido/Apagado] por segunda vez para apagar el soplador.
- Salga con cuidado y vacíe la bañera.
- Oprima el icono [Modo de purga] para soplar el agua restante de los canales de aire. El soplador se enciende durante 2 minutos y luego se apaga automáticamente.

**NOTA:** Aproximadamente 30 minutos después de apagado el motor soplador, se enciende automáticamente un modo de purga de 2 minutos.

**NOTA:** Si la bañera no funciona correctamente, consulte la sección "Guía para resolver problemas".

## Cuidado y limpieza

Para obtener los mejores resultados tenga presente lo siguiente al limpiar su bañera KOHLER:

- Siempre pruebe la solución de limpieza en un área oculta antes de aplicarla a toda la superficie.
- **No utilice disolventes ni limpiadores abrasivos.** Los disolventes y productos de limpieza abrasivos pueden dañar la superficie del producto.
- Limpie con un paño las superficies, y enjuague completa e inmediatamente con agua después de haber aplicado el limpiador. Enjuague y seque las superficies cercanas que hayan sido rociadas.
- No deje mucho tiempo los limpiadores en las superficies.

## Cuidado y limpieza (cont.)

- Utilice una esponja o un paño suave y húmedo. Para limpiar las superficies, nunca utilice materiales abrasivos como cepillos o estropajos de tallar.
- La técnica de limpieza ideal es enjuagar muy bien y absorber con algo el agua de la superficie después de cada uso.

## Mantenimiento de los jets de aire

- Si es necesario limpiar los jets de aire debido a depósitos minerales del agua dura, moje un trapo suave, no abrasivo, con vinagre blanco y limpie los orificios del jet de aire que estén tapados. Enjuague inmediatamente el área con agua limpia para evitar la exposición prolongada de la superficie del jet de aire al vinagre.
- Llene la bañera de agua hasta la fila superior de jets de aire. Drene la bañera y oprima el botón de purga.

## Limpieza del teclado

- Utilice un paño suave para limpiar el teclado después de cada uso. Si la superficie se ensucia, limpie con un jabón no abrasivo y agua tibia.

Para obtener información detallada de limpieza y de productos a considerar, visite [www.kohler.com/clean](http://www.kohler.com/clean). Para solicitar información sobre el cuidado y la limpieza, llame al 1-800-456-4537.

## Garantía

### GARANTÍA LIMITADA DE UN AÑO

Se garantizan los productos de plomería KOHLER contra defectos de material y mano de obra durante un año a partir de la fecha de instalación.

Kohler Co., a su criterio, reparará, reemplazará o realizará los ajustes pertinentes en los casos en que la inspección realizada por Kohler Co. determine que dichos defectos hayan ocurrido durante el uso normal en el transcurso de un (1) año a partir de la fecha de la instalación. Kohler Co. no se hace responsable de costos de desinstalación o de instalación. **El uso de limpiadores de inodoro que se colocan dentro del tanque anula la garantía.**

Para obtener el servicio de garantía, comuníquese con Kohler Co. a través de su distribuidor, contratista de plomería, centro de remodelación o distribuidor por Internet, o escriba a Kohler Co., Atención: Customer Care Center, 444 Highland Drive, Kohler, WI 53044, EE.UU., o llame al 1-800-4-KOHLER (1-800-456-4537) desde los EE.UU. y Canadá, o al 001-800-456-4537 desde México, o visite [www.kohler.com](http://www.kohler.com) desde los EE.UU., [www.ca.kohler.com](http://www.ca.kohler.com) desde Canadá, o [www.mx.kohler.com](http://www.mx.kohler.com) en México.

**TODA GARANTÍA IMPLÍCITA, INCLUIDA LA DE COMERCIALIZACIÓN E IDONEIDAD DEL PRODUCTO PARA UN USO DETERMINADO, SE LIMITA EXPRESAMENTE A LA DURACIÓN DE ESTA GARANTÍA. KOHLER CO. Y/O EL VENDEDOR DESCARGAN TODA RESPONSABILIDAD POR CONCEPTO DE DAÑOS PARTICULARES, INCIDENTALES O INDIRECTOS.** Algunos estados/provincias no permiten limitaciones en cuanto a la duración de una garantía implícita o a la exclusión o limitación de daños particulares, incidentales o indirectos, por lo que estas limitaciones y exclusiones pueden no aplicar a su caso. Esta garantía le otorga ciertos derechos legales específicos. Además, usted también puede tener otros derechos que varían de estado a estado y de provincia a provincia.

**Esta es la garantía exclusiva por escrito de Kohler Co.**

## Garantía

### Para México

KOHLER CO.

Se recomienda que al momento de la compra, verifique que todos los accesorios y componentes estén completos en esta caja.

Se garantiza este producto Kohler contra defectos en material y mano de obra durante un (1) año a partir de

## **Garantía (cont.)**

la fecha de compra que aparezca en la factura o en el recibo.

1. Kohler Co. prestará servicio únicamente a los productos comercializados a través de sus distribuidores autorizados.
2. Para obtener el servicio de garantía, favor de presentar la factura de compra y la garantía correspondiente.
3. Kohler Co., a través de sus distribuidores autorizados, se compromete a reparar el producto defectuoso o, cuando la reparación no sea posible, reemplazarlo por uno nuevo o por un modelo equivalente (en caso de que el producto haya sido descontinuado) sin ningún cargo al consumidor.
4. El tiempo de reparación no excederá seis (6) semanas a partir de la fecha de recepción del producto.
5. Se recomienda al consumidor que conserve el recibo o la factura de compra como protección adicional, pues el mismo puede sustituir a la garantía en caso de que exista discrepancia en cuanto a la validez de la misma.

### **EXCEPCIONES Y RESTRICCIONES**

La garantía no tendrá validez en los siguientes casos:

1. Cuando el producto no se utilice conforme a las instrucciones de uso y funcionamiento que se incluyen en el manual del usuario o en las instrucciones de instalación, y cuando no observen las recomendaciones y las advertencias provistas.
2. Cuando el producto se haya modificado o desmantelado parcial o totalmente, o manipulado de manera negligente y, como consecuencia, haya sufrido daños atribuibles al consumidor, a personas o a herrajes no autorizados por Kohler Co.
3. Esta garantía no cubre los daños que resulten de desastres naturales, tales como incendios o casos de fuerza mayor, como inundaciones, terremotos, tormentas eléctricas, etc. Para obtener una lista de distribuidores cerca de usted y así hacer valer sus derechos bajo esta garantía, llame al 001-800-456-4537.

KOHLER CO., KOHLER, WI 53044 U.S.A.

### **IMPORTADOR:**

COMERCIALIZADORA INTERCERAMIC, S.A. DE C.V.

AV. CARLOS PACHECO NO. 7200, COL. MADERA 65

CHIHUAHUA, CHIH., MÉXICO C.P. 31060

TEL: 52 (614) 429-11-11

### **IMPORTADOR:**

GAMA MATERIALES Y ACEROS, S.A. DE C.V.

AVE. LOS ÁNGELES NO. 1800

COL. VALLE DEL NOGALAR, SAN NICOLÁS DE LOS GARZA

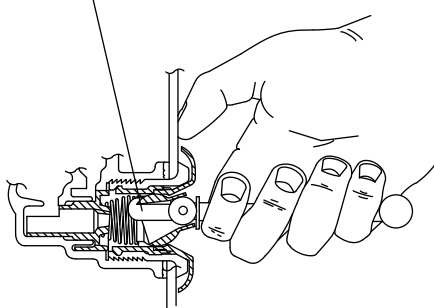
N.L. MÉXICO

R.F.C. GMA901220U11

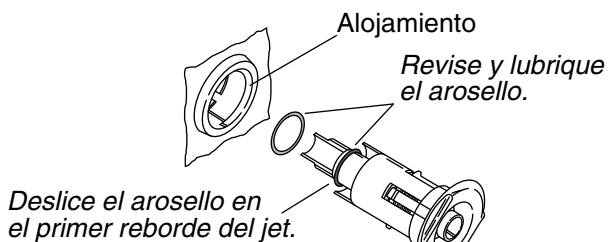
TEL: 81-1160-5500

### Retire los jets

Inserte el gancho de la herramienta tal como se ilustra, y saque el jet del alojamiento. Al hacer esto, el jet debe estar orientado hacia arriba.



### Vuelva a instalar los jets



Inserte el jet en el alojamiento, y empuje y gire ligeramente hasta que encaje en su lugar.

## Resolución de problemas

**AVISO:** El propósito de esta sección es solo ayuda general. Todos los problemas eléctricos deben ser resueltos por un representante de servicio autorizado de Kohler Co. o un electricista calificado. Para obtener el servicio de garantía, llame 1-800-4KOHLER desde los EE.UU. y Canadá, o al 001-800-456-4537 desde México.

Para consultar información sobre piezas de repuesto, visite la página de su producto en [www.kohler.com/serviceparts](http://www.kohler.com/serviceparts).

### Retire los jets

**NOTA:** Se ha incluido una herramienta especial junto a los jets de repuesto, para retirar los jets de la bañera de hidromasaje. Esta herramienta también se incluye con cada kit de guarnición.

- Coloque la boquilla esférica del jet de manera que apunte hacia arriba.
- Inserte la herramienta de extracción, con el gancho hacia arriba, en la abertura del jet y enganche la parte superior interior de la boquilla.
- Sostenga la herramienta con firmeza y coloque el dedo pulgar contra la pared de la bañera de hidromasaje. Jale la herramienta uniformemente hasta que el montaje del jet salga del orificio. Tenga cuidado de no perder el arosello (O-ring).

### Vuelva a instalar los jets

**NOTA:** Para permitir que el jet gire fácilmente y funcione correctamente, el arosello debe estar: (1) bien colocado, (2) lubricado y (3) en buenas condiciones.

- Instale el arosello en el **primer reborde** del jet.
- Utilice el paquete del tubo de silicona (provisto) para lubricar el arosello con el fin de evitar un funcionamiento ruidoso del jet.
- Inserte con cuidado el jet en el alojamiento, luego empuje levemente y gire el jet hasta que encaje en su lugar. **No fuerce el jet.**
- Verifique que el jet esté instalado correctamente. El jet debe girar sin problemas en ambos sentidos. Retire y vuelva a instalar, si es necesario.

## Resolución de problemas (cont.)

### Sistema de hidromasaje

Síntomas	Causas probables	Acción recomendada
1. La bañera de hidromasaje no se enciende o no se apaga.	A. El motor no recibe alimentación eléctrica.	A. Verifique que la bomba y que el calentador estén enchufados y que el interruptor GFCI o RCD esté en la posición correcta. Enchufe o restablezca (reset) el interruptor GFCI/RCD, según sea necesario.
	B. La manguera de aire está suelta o desconectada.	B. Verifique que la manguera esté conectada al extremo de la bomba/el receptor y al interruptor de aire. Vuelva a conectar si es necesario.
	C. La manguera de aire está pellizcada o doblada.	C. Ajuste la manguera para eliminar el área pellizcada/doblada. Si el tubo está pellizcado/doblado y no es posible ajustarlo, o bien no se ve la sección pellizcada/doblada, haga un orificio pequeño en el tubo con una tachuela y vuelva a probar el sistema.
	D. El montaje del botón pulsador está dañado.	D. Cambie el montaje del botón pulsador.
	E. El botón pulsador tiene grasa en el área de purga.	E. Desensamble el montaje del botón pulsador y limpie el exceso de grasa. Vuelva a ensamblar el botón y vuelva a probar el sistema.
	F. La manguera de aire está dañada.	F. Cambie la manguera de aire.
	G. El motor/la bomba no funciona.	G. Cambie el motor/la bomba.
2. El motor arranca, pero no todos los jets funcionan.	A. El jet está cerrado.	A. Gire el anillo decorativo del jet hacia la izquierda para abrirlo.
	B. El jet no está instalado correctamente.	B. Vuelva a instalar el jet; revise que el arosello no esté dañado.
	C. Los jets están tapados.	C. Elimine la obstrucción.
3. La bomba no hace el cebado.	A. La bomba se ha acuñado demasiado alto.	A. Baje el soporte de la bomba.
4. Funcionamiento ruidoso.	A. Las cintas flejadoras de la bomba no han sido cortadas. (Solo modelos con bloques de soporte).	A. Corte las cintas flejadoras con tijeras para chapa.
	B. El arosello del jet está mal colocado.	B. Retire el jet, cambie y lubrique el arosello, y vuelva a instalar el jet.
5. El calentador no funciona. (Solo modelos "H")	A. El calentador no recibe alimentación eléctrica.	A. Restablezca el GFCI o RCD.
	B. La temperatura del agua excede los 104°F (40°C).	B. Deje enfriar el agua y el calentador se reactivará.
	C. El calentador no funciona.	C. Cambie el calentador.

### Sistema de aire

Síntomas	Causas probables	Acción recomendada
1. El soplador se enciende solo después de haber drenado la bañera.	A. Funcionamiento normal. El modo de purga automática está funcionando según se diseñó.	A. No se requiere acción alguna. El modo de purga automática funciona por 2 minutos 30 minutos después de drenada la bañera.

## Resolución de problemas (cont.)

### Sistema de aire

Síntomas	Causas probables	Acción recomendada
2. El motor soplador se apaga por sí mismo después de funcionar durante dos minutos.	A. Se oprimió el icono de modo de purga en vez del icono de encendido/apagado.	A. Oprima el icono de encendido/apagado en el teclado. Consulte la sección "Instrucciones de funcionamiento".
3. El motor soplador no se enciende.	A. El cable eléctrico del motor soplador está suelto, desconectado o dañado.	A. Revise que los cables estén correctamente conectados.
	B. El cable para el teclado está suelto o dañado.	B. Revise las conexiones de los cables. De ser necesario, cambie el cable para el teclado del usuario.
	C. El teclado del usuario no funciona.	C. Cambie el teclado del usuario.
	D. El motor soplador no funciona.	D. Reemplace el motor soplador.
4. El motor soplador deja de funcionar y no se enciende inmediatamente.	A. El motor soplador se ha sobrecalentado y se ha activado el dispositivo de protección.	A. Verifique que no haya obstrucciones en la entrada de aire del soplador. Elimine la obstrucción y deje enfriar el motor.
5. El motor soplador arranca, pero no todos los jets de aire funcionan.	A. La velocidad del motor soplador es demasiado baja.	A. Aumente la velocidad.
	B. La entrada del motor soplador está obstruida.	B. Limpie la entrada del motor soplador.
	C. El motor soplador no funciona.	C. Reemplace el motor soplador.
	D. La descarga del motor soplador está obstruida.	D. Elimine la obstrucción.
	E. Los jets de aire están tapados.	E. Utilice un cepillo interdental pequeño y vinagre blanco. Sumerja el cepillo en el vinagre, cepille el orificio, enjuague el cepillo en agua limpia y luego utilice el cepillo enjuagado para enjuagar el orificio.
6. El motor soplador funciona pero no se observan burbujas de aire.	A. La entrada del motor soplador está obstruida.	A.. Limpie la entrada del motor soplador.
	B. Los jets de aire están obstruidos.	B. Utilice un cepillo interdental pequeño y vinagre blanco. Sumerja el cepillo en el vinagre, cepille el orificio, enjuague el cepillo en agua limpia y luego utilice el cepillo enjuagado para enjuagar el orificio.
	C. El motor soplador no funciona.	C. Reemplace el motor soplador.
7. El motor soplador funciona, se observan burbujas de aire, pero la función de velocidad no funciona.	A. La entrada del motor soplador está obstruida.	A.. Limpie la entrada del motor soplador.
	B. El arnés de cableado está suelto, desconectado o dañado.	B. Revise que los cables estén correctamente conectados. Reemplace el arnés de cableado de ser necesario.
	C. El teclado del usuario no funciona.	C. Cambie el teclado del usuario.
	D. El motor soplador no funciona.	D. Reemplace el motor soplador.
8. El motor soplador no se apaga cuando se oprime el botón de encendido/apagado.	A. El teclado del soplador no funciona.	A. Cambie el teclado del usuario.
	B. El arnés de cableado está suelto, desconectado o dañado.	B. Revise que los cables estén correctamente conectados. Reemplace el arnés de cableado de ser necesario.
	C. El control no funciona.	C. Reemplace el control.

## Resolución de problemas (cont.)

### Sistema de aire

Síntomas	Causas probables	Acción recomendada
9. El modo de purga no funciona.	A. El teclado del soplador no funciona.	A. Cambie el teclado del usuario.
	B. El control no funciona.	B. Reemplace el control.
10. La bañera no se purga automáticamente.	A. El soplador no funciona.	A. Cambie las pilas.

USA/Canada: 1-800-4KOHLER

México: 001-800-456-4537

[kohler.com](http://kohler.com)

THE BOLD LOOK  
OF **KOHLER**®

©2015 Kohler Co.

1208027-2-C