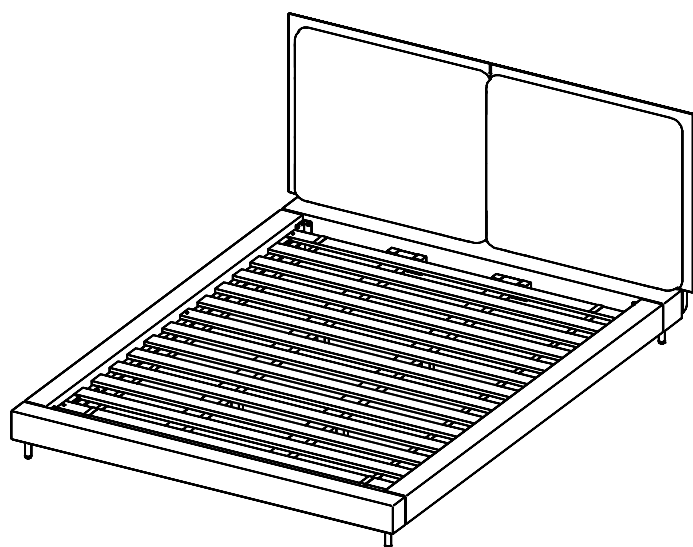





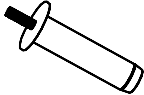
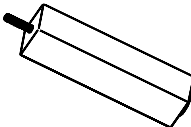


# ASSEMBLY INSTRUCTION

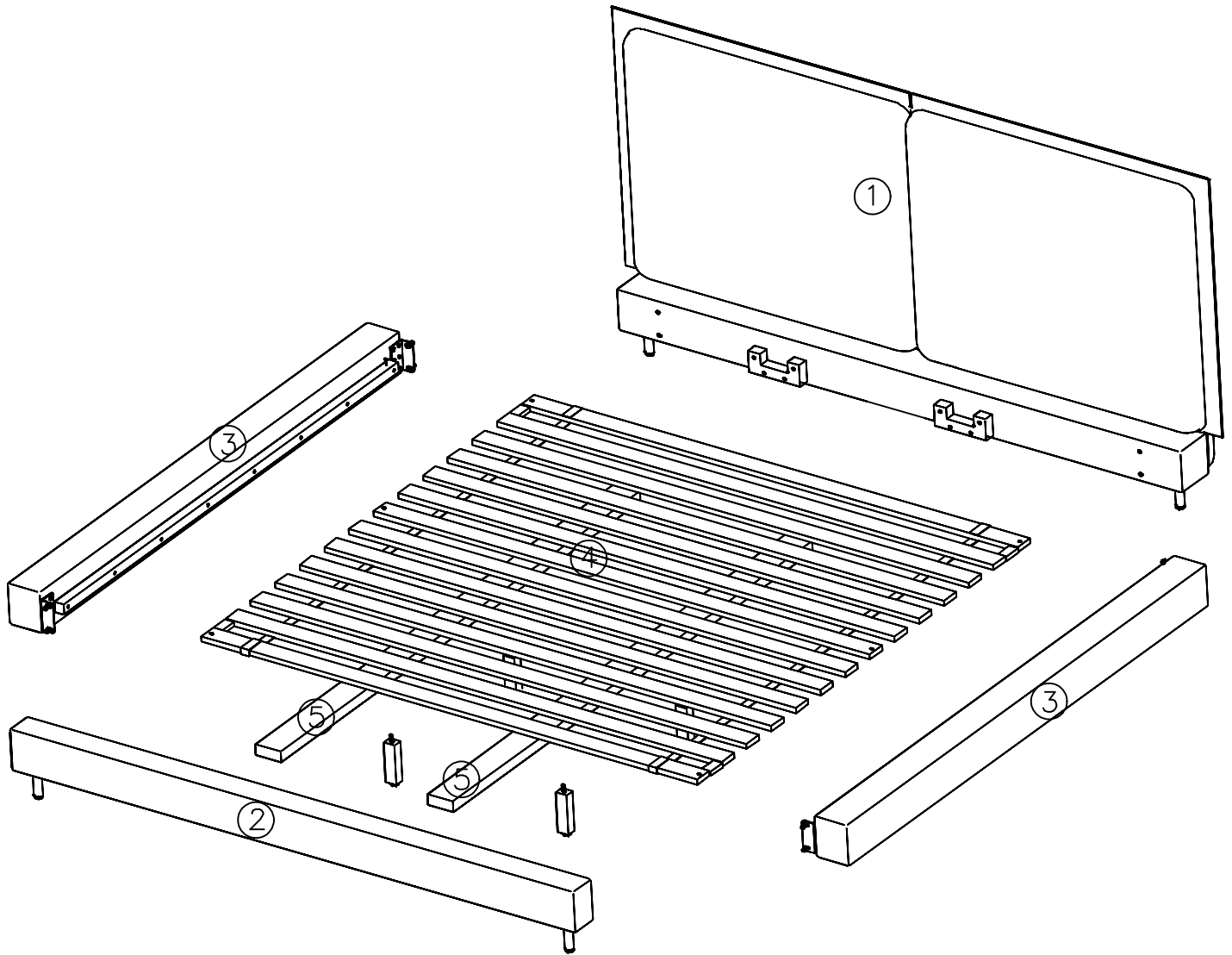
## KING BED



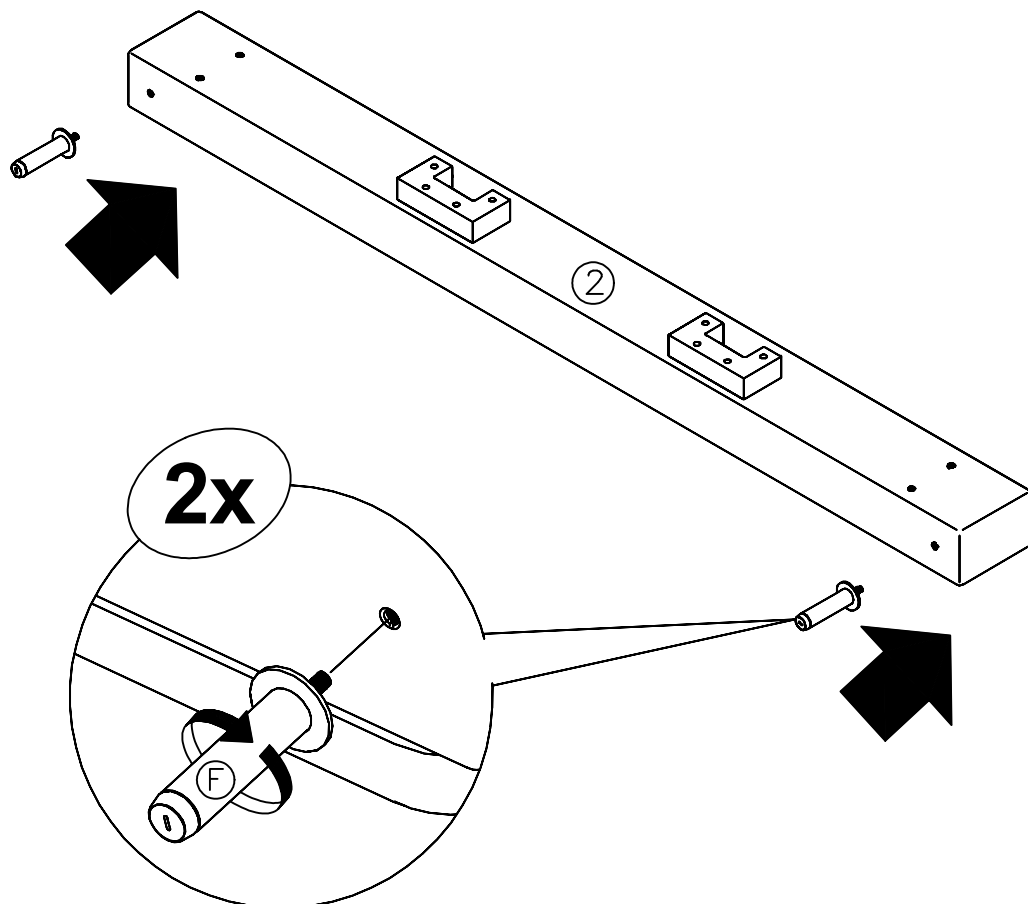
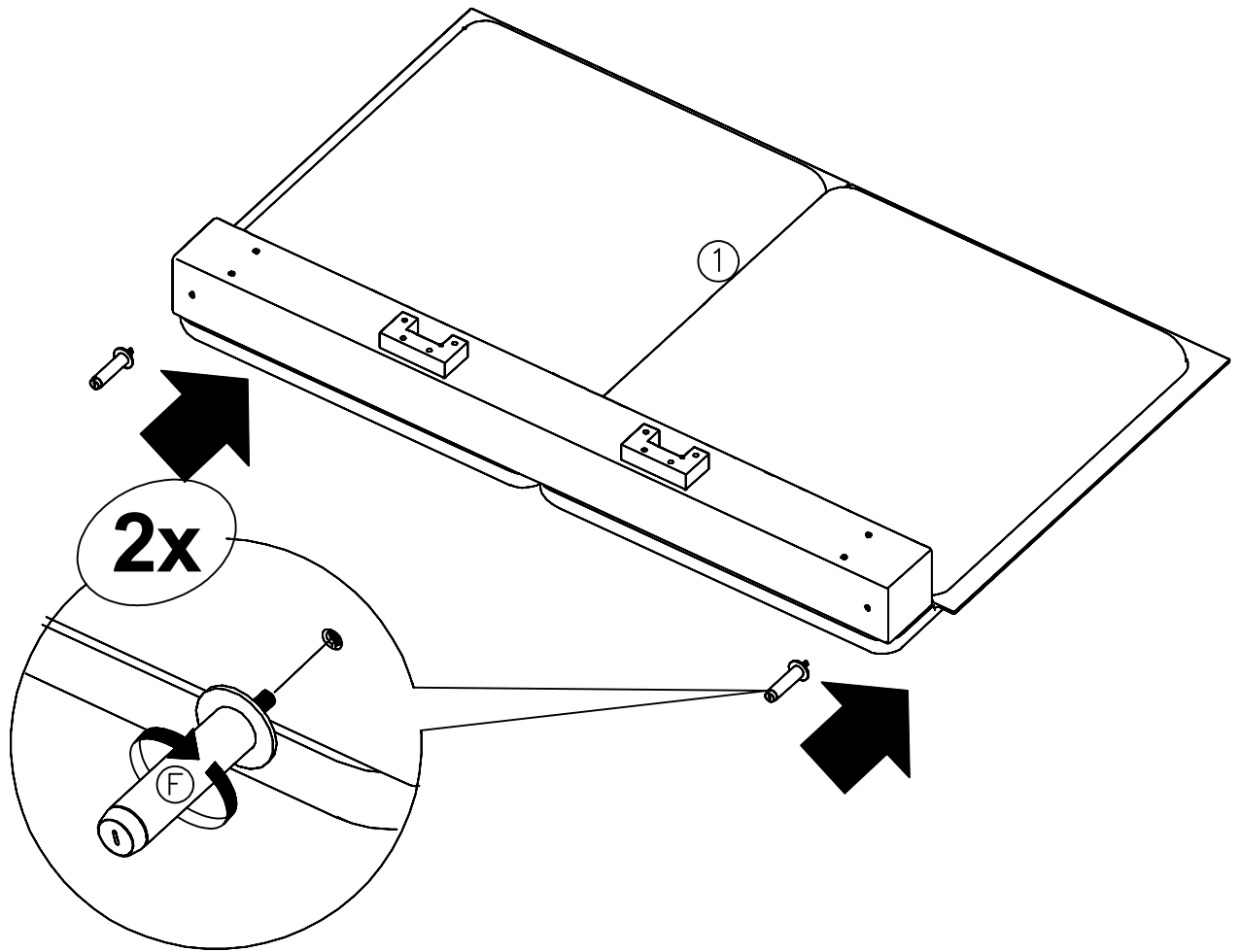
### HARDWARE LIST

HARDWARE LIST			
A		BOLT Ø8 x40mm	8
B		LOCK WASHER Ø8 x 13mm	8
C		FLAT WASHER Ø8 x 19mm	8
D		KEY M5	1
E		WOOD SCREW Ø4 x25mm	6
F		FOOT LEGS	4
G		CENTER LEGS	4

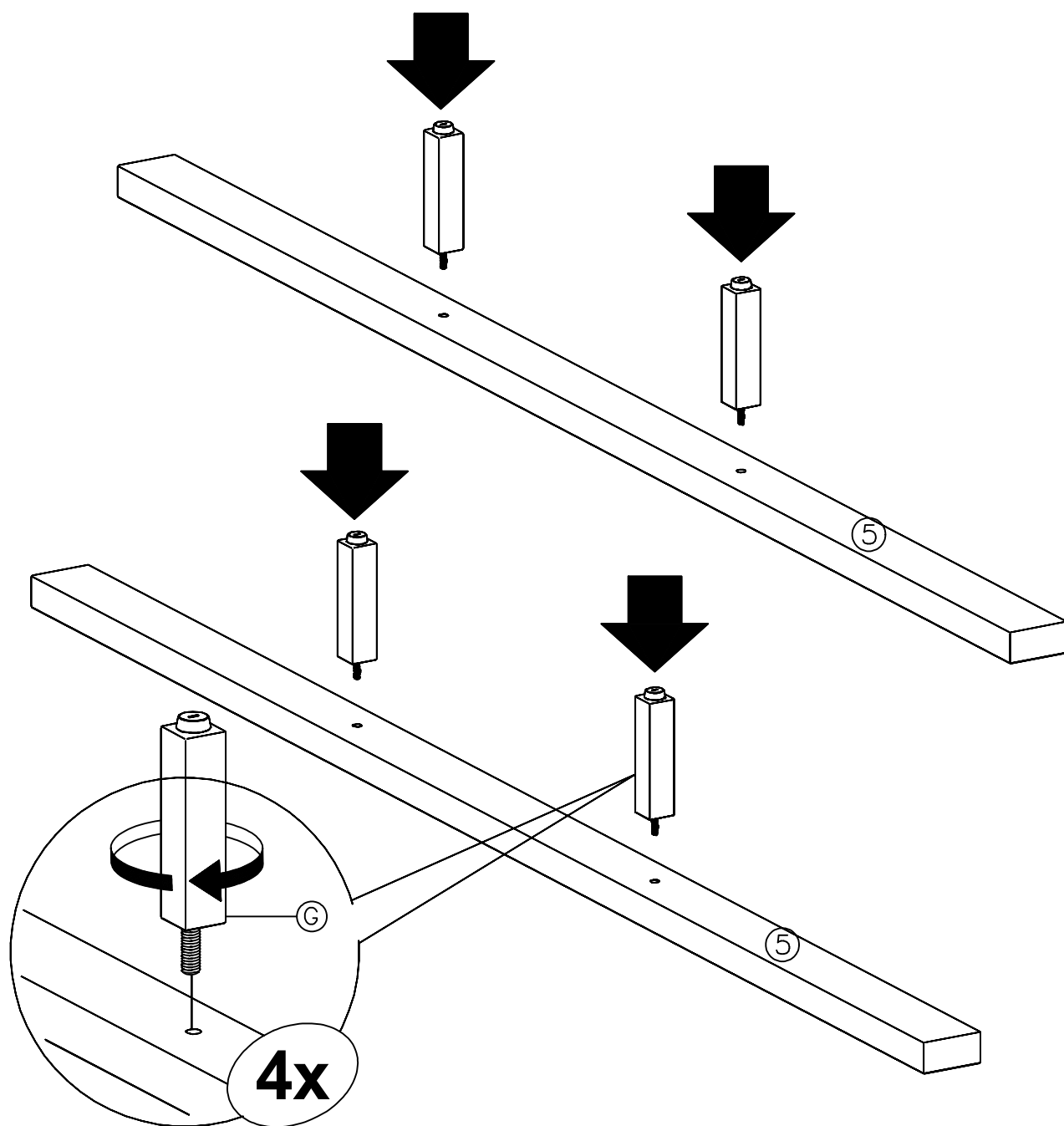
# COMPONENTS

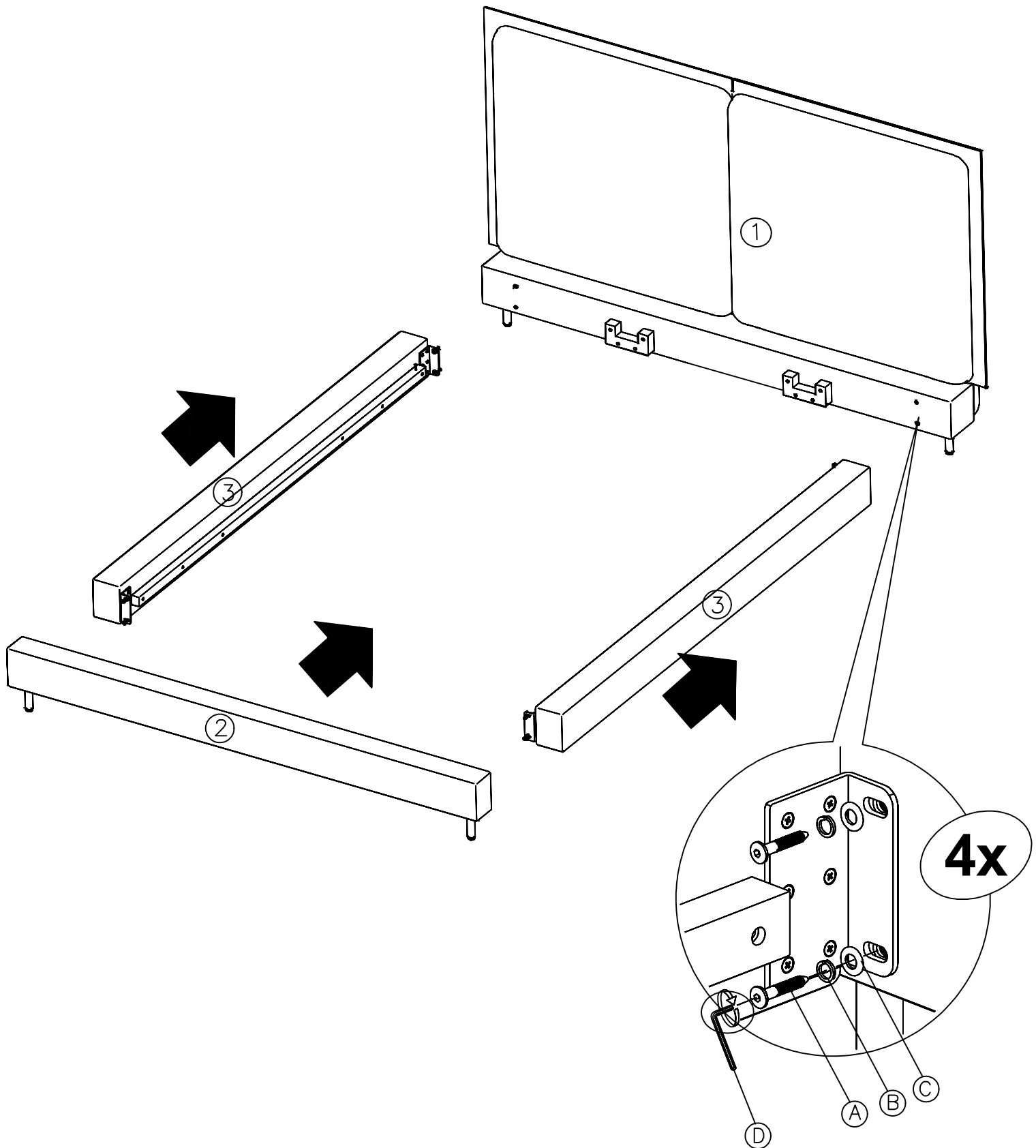


2

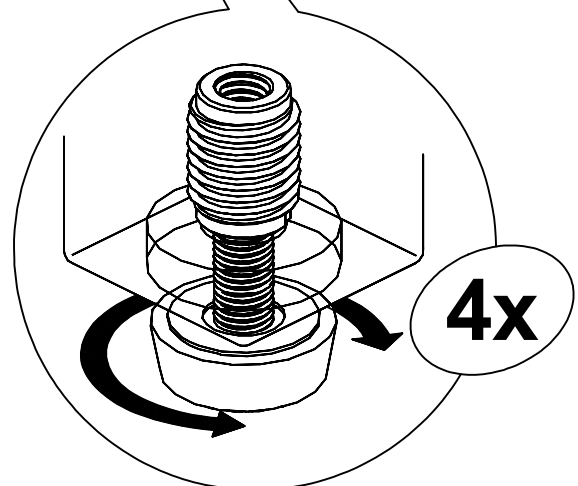
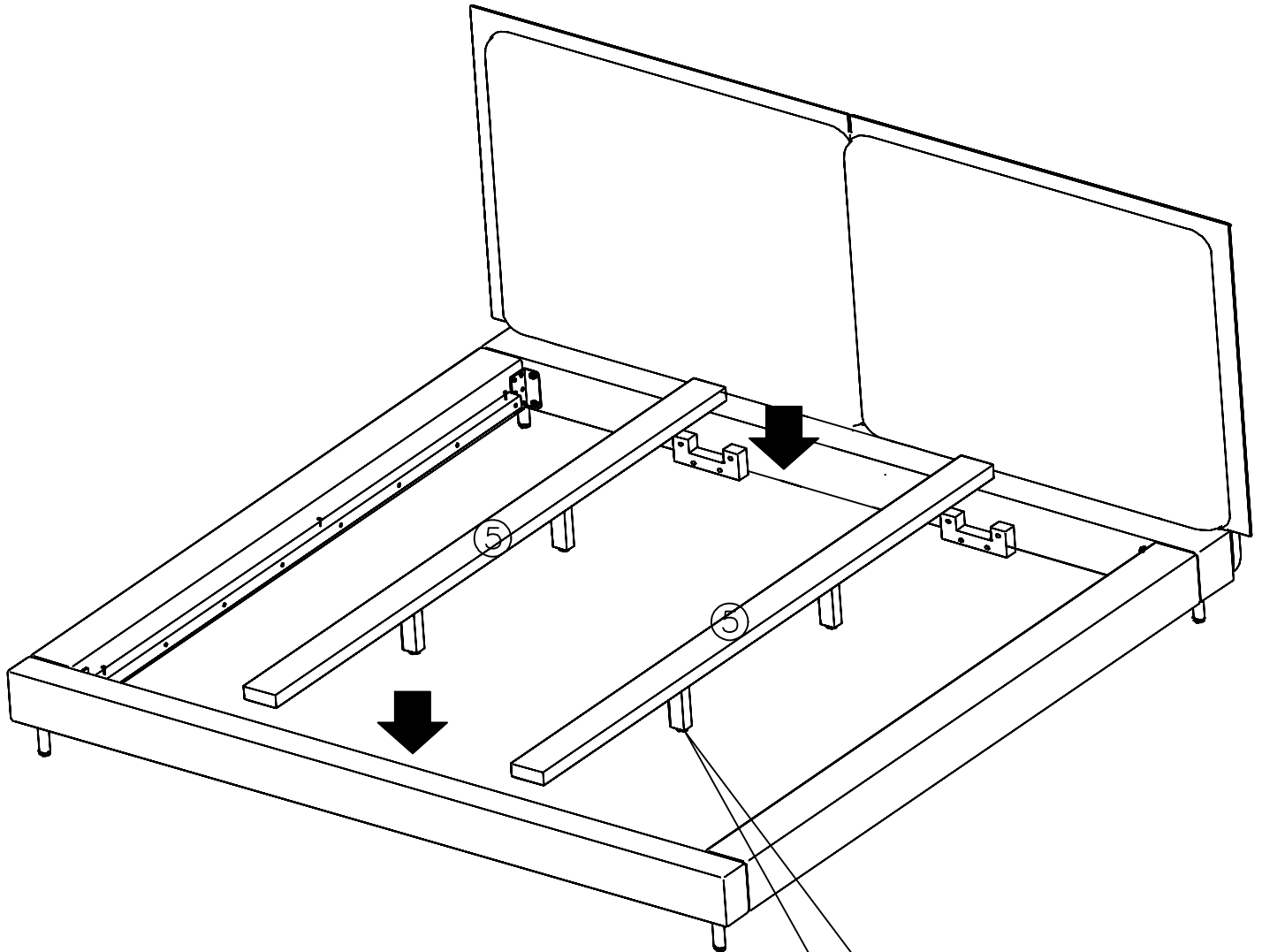


3

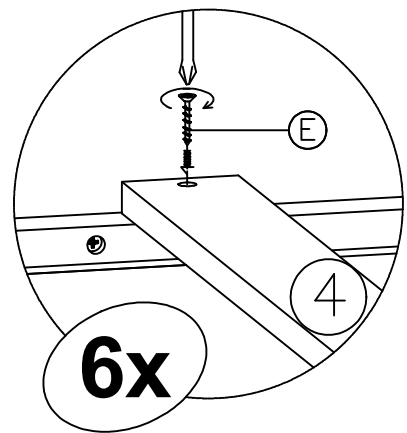
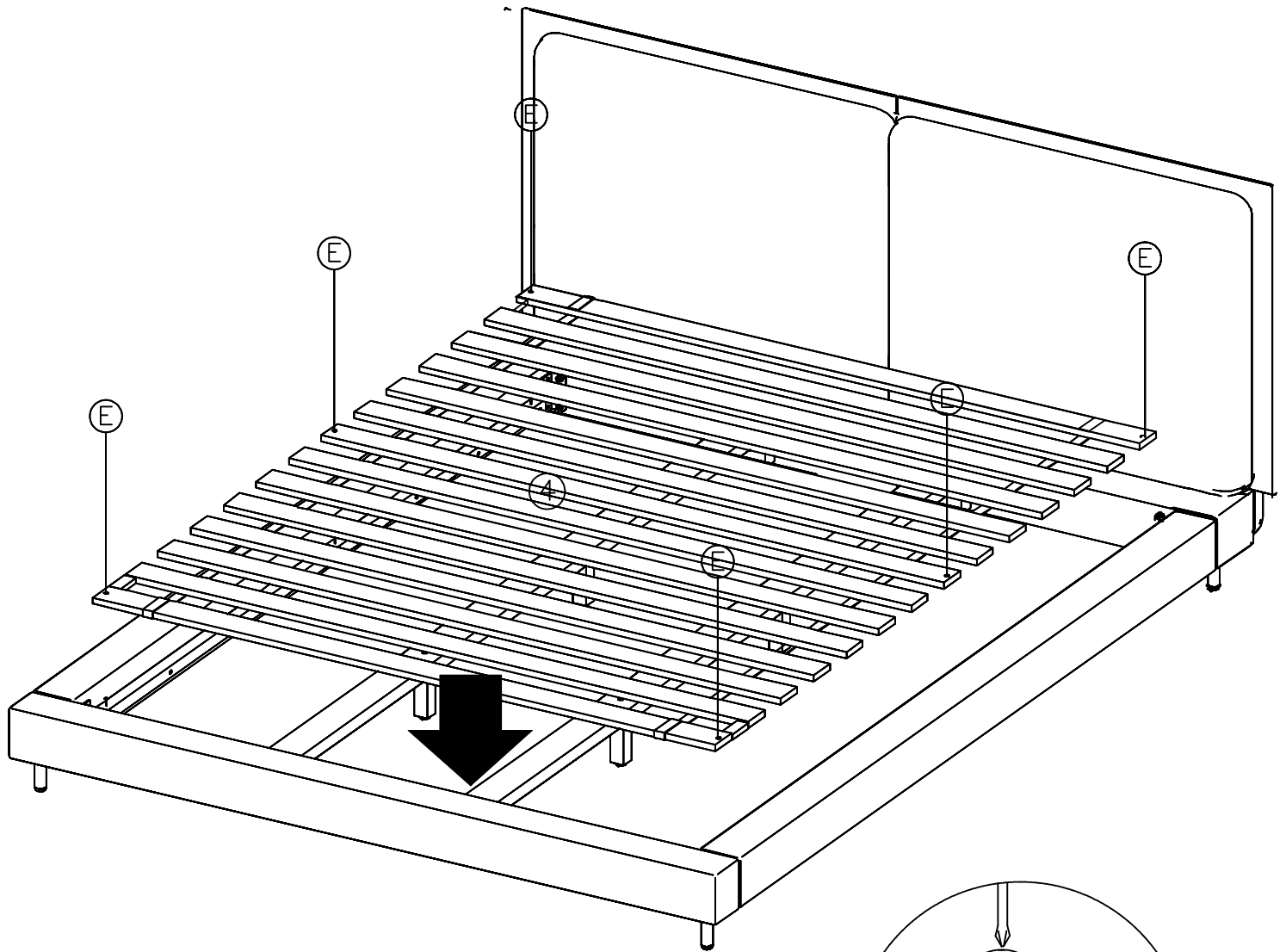




5



6



7

