

Thank you for choosing our products. We stand behind our brand and the quality of the items we sell. Replacement parts or products will be sent at our discretion within the 1-year warranty period. Proof of purchase, with the date of purchase as well as photos of the merchandise defect, must be provided. Photos are used to determine the cause of defects and for future quality control. If you have any questions, comments or concerns, feel free to contact us.

ADIRONDACK ROCKING CHAIR

Read all assembly and care instructions carefully before using this product. Save this manual for future reference.

Assemble components on a soft, clean surface to avoid scratching or damaging the finish.



Inspect packaging to ensure all parts are accounted for before disposing of packing materials.

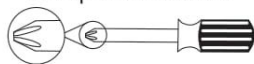
250
pounds
113 kg
Weight Capacity

TOOLS REQUIRED (NOT INCLUDED)

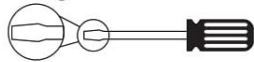
10mm Wrench



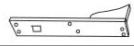
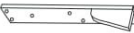

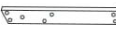









Phillips Screwdriver



Regular Screwdriver



No.	PARTS	QTY.
A	 Seat Panel	1
B	 Back Panel	1
C	 Front Right Leg	1
D	 Front Left Leg	1
E	 Back Right Leg	1
F	 Back Left Leg	1
G	 Right Arm	1
H	 Left Arm	1
I	 Support Beam	2
J	 Rocker Foot	2
K	 50mm Bolt Set	22
L	 80mm Bolt with Barrel Nut	2
M	 Screw	6

⚠ WARNING

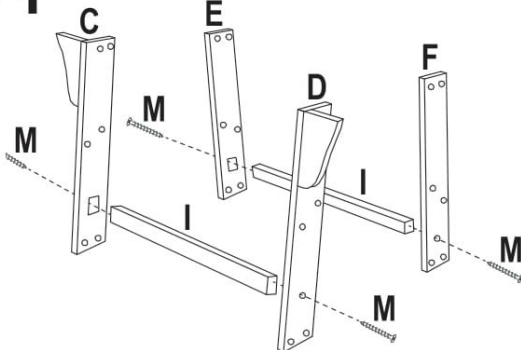
CHOKING HAZARD — This item contains small parts that can be swallowed by children. Keep children away during assembly.

ASSEMBLY

Do not fully tighten hardware until all components have been assembled.

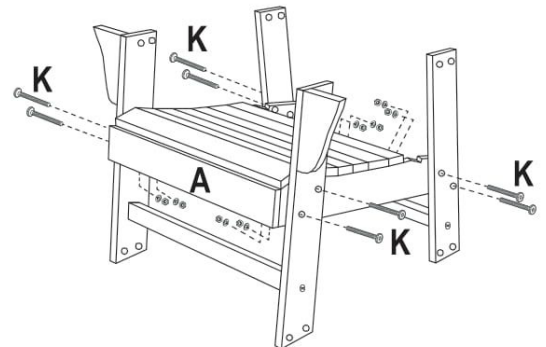
STEP 1

C: 1
D: 1
E: 1
F: 1
I: 2
M: 4



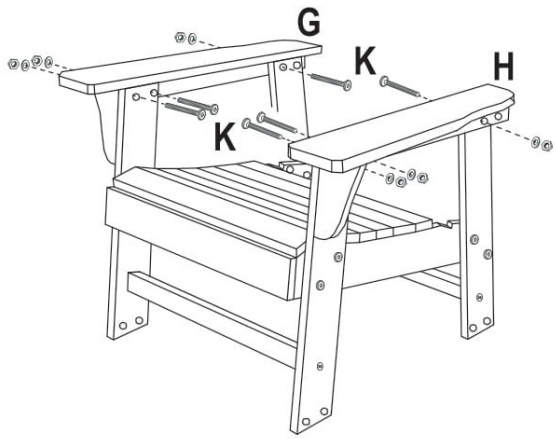
STEP 2

A: 1
K: 8



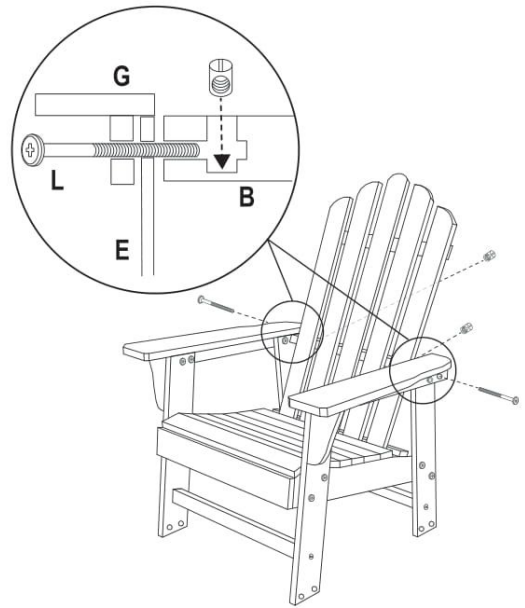
STEP 3

G: 1
H: 1
K: 6



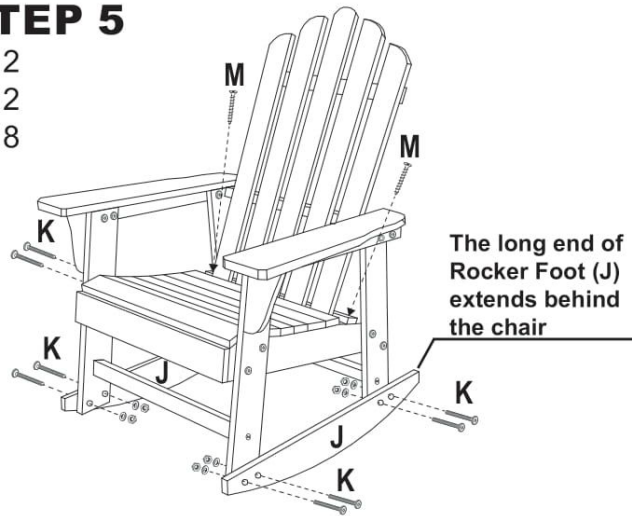
STEP 4

B: 1
L: 2

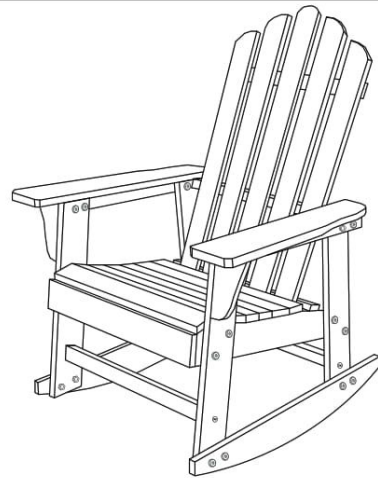


STEP 5

J: 2
M: 2
K: 8



STEP 6



Tighten all nuts and bolts; do not over-tighten as it may crack the finish and damage the wood.

Care & Maintenance

SAFE USE: For residential use only. Only use on a flat, level surface. Do not exceed the weight capacity.

INSPECT: Periodically check hardware and tighten as necessary.

CLEAN: Wipe surfaces with water and a soft, non-abrasive cloth.

WINTER CARE & STORAGE: Move to an indoor location that is cool and dry. Cover while in storage to help prevent dust build-up.

Any modification to the product or failure to follow recommended care will void the product warranty.

⚠️ WARNING:

Manufacturer and seller expressly disclaim any and all liability from personal injury, property damage or loss, whether direct or indirect, or incidental, resulting from the incorrect attachment, improper use, inadequate maintenance, or neglect of this product.