
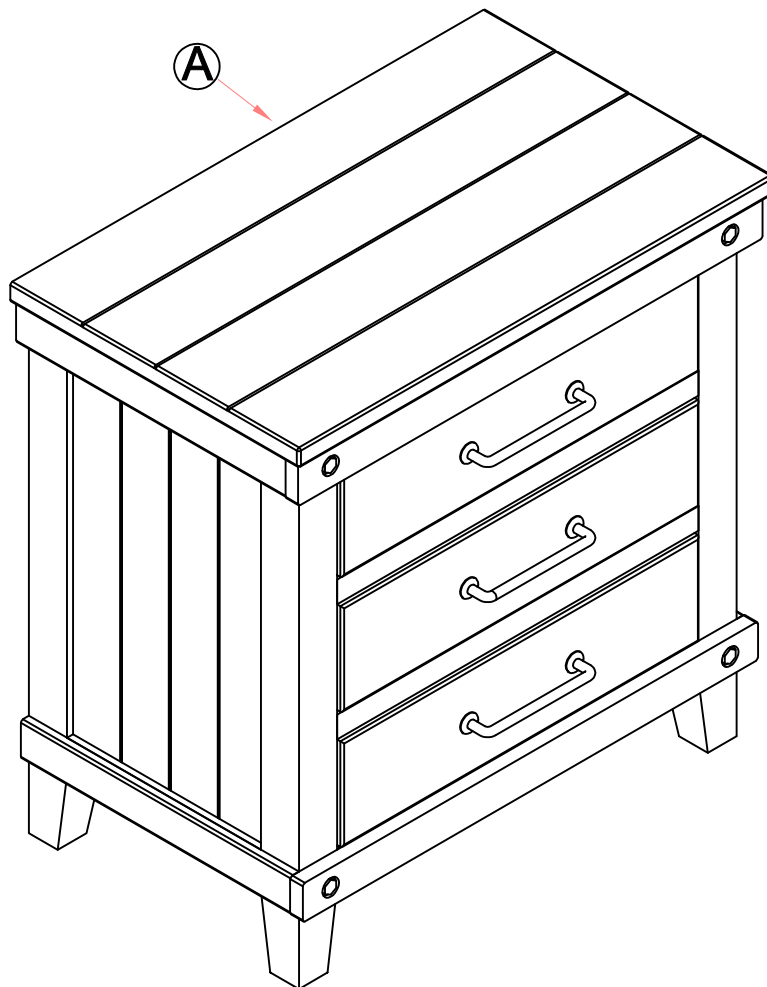


ASSEMBLY INSTRUCTIONS

**NOTE: THIS ITEM NOT RECOMMENDED FOR COMMERCIAL USE
KEEP THIS DOCUMENT FOR REFERENCE IN CASE PARTS ARE NEEDED
DO NOT TIGHTEN SCREWS UNTIL COMPLETELY ASSEMBLED! !**

No	PARTS LIST		Q'TY
A		3 DRAWER NIGHTSTAND	1PC

STEP 1



ASSEMBLY INSTRUCTIONS

**NOTE: THIS ITEM NOT RECOMMENDED FOR COMMERCIAL USE
KEEP THIS DOCUMENT FOR REFERENCE IN CASE PARTS ARE NEEDED
DO NOT TIGHTEN SCREWS UNTIL COMPLETELY ASSEMBLED! !**

No	PARTS LIST		Q'TY
A		CHEST	1PC


STEP 1

★ Remark: there is a tip restraint kit provided on the back of this product. Please read the directions thoroughly and install immediately when placed in home.



ASSEMBLY INSTRUCTIONS

**NOTE: THIS ITEM NOT RECOMMENDED FOR COMMERCIAL USE
KEEP THIS DOCUMENT FOR REFERENCE IN CASE PARTS ARE NEEDED
DO NOT TIGHTEN SCREWS UNTIL COMPLETELY ASSEMBLED! !**

No	PARTS LIST	Q'TY
A	 DOOR CHEST	1PC

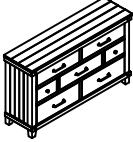
STEP 1

★ Remark: there is a tip restraint kit provided on the back of this product. Please read the directions thoroughly and install immediately when placed in home.



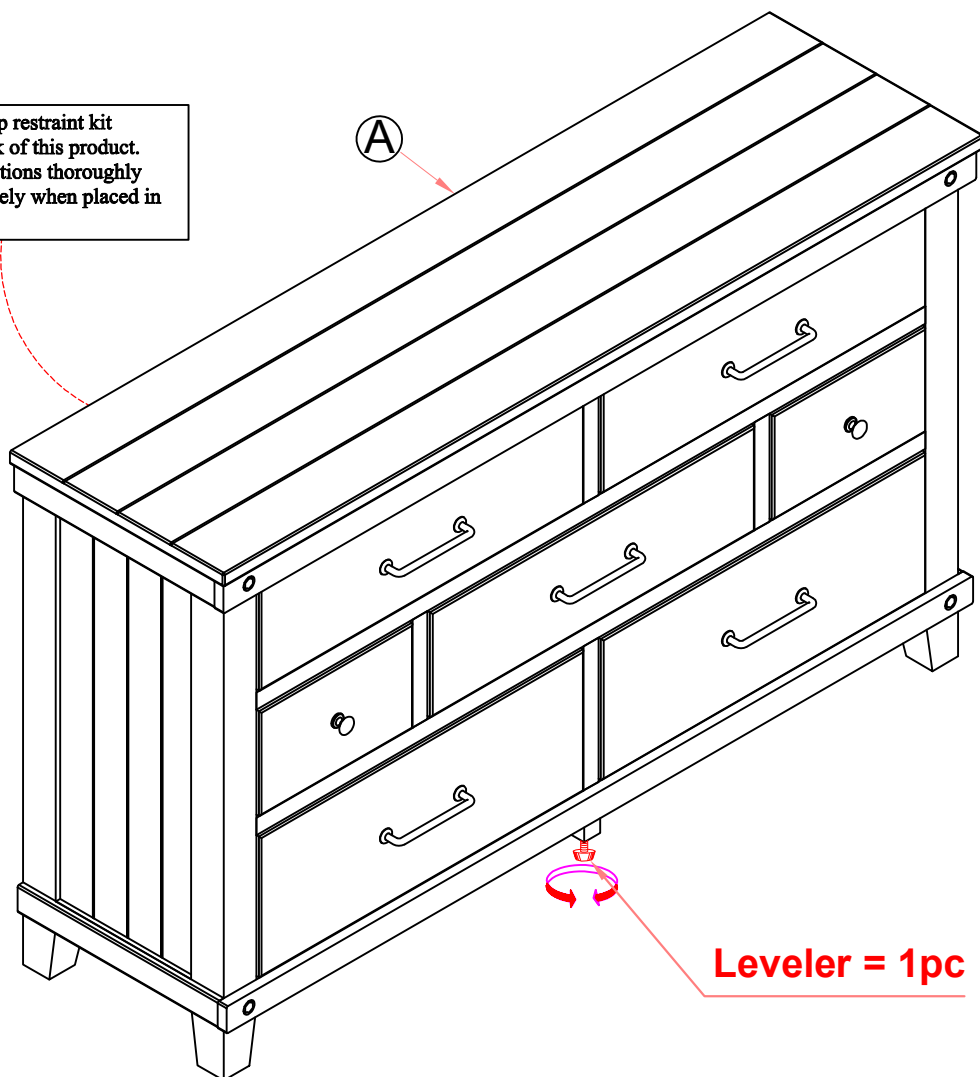
ASSEMBLY INSTRUCTIONS

**NOTE: THIS ITEM NOT RECOMMENDED FOR COMMERCIAL USE
KEEP THIS DOCUMENT FOR REFERENCE IN CASE PARTS ARE NEEDED
DO NOT TIGHTEN SCREWS UNTIL COMPLETELY ASSEMBLED! !**

No	PARTS LIST		Q'TY
A		DRESSER	1PC



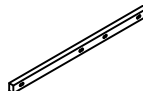
STEP 1





★ Remark: there is a tip restraint kit provided on the back of this product. Please read the directions thoroughly and install Immediately when placed in home.



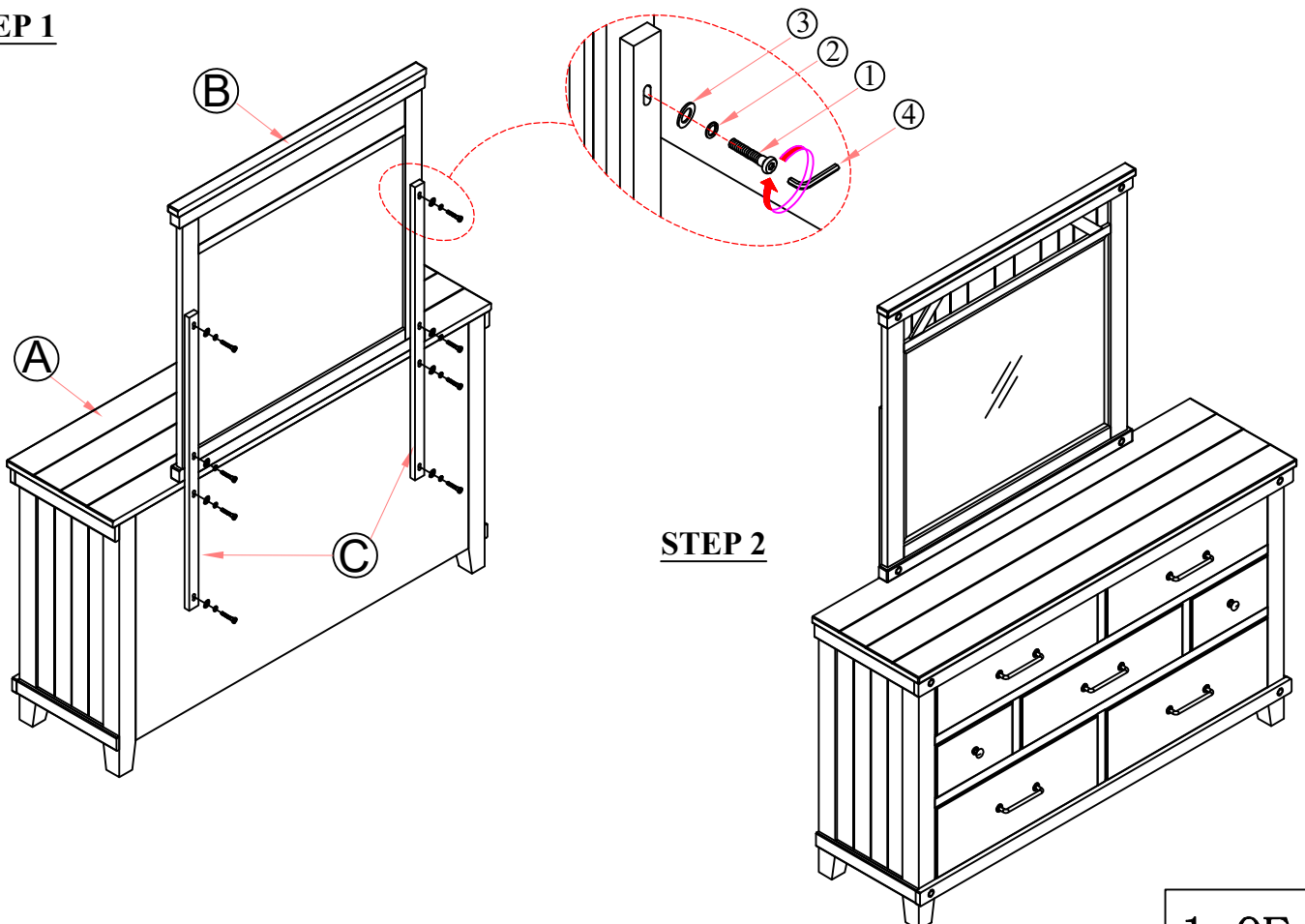
ASSEMBLY INSTRUCTIONS

**NOTE: THIS ITEM NOT RECOMMENDED FOR COMMERCIAL USE
KEEP THIS DOCUMENT FOR REFERENCE IN CASE PARTS ARE NEEDED
DO NOT TIGHTEN SCREWS UNTIL COMPLETELY ASSEMBLED! !**

No	PARTS LIST		Q'TY
A		DRESSER	1PC
B		MIRROR	1PC
C		MIRROR SUPPORT IN MIRROR BOX	2PCS


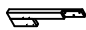






NO.	HARDWARE LIST		Q'TY
1		ALLEN BOLT	Ø1/4"x1-1/2"
2		LOCK WASHER	Ø1/4" x 10D x 1.1mm
3		FLAT WASHER	Ø1/4" x 18D x 2mm
4		ALLEN KEY	2-1/4" x 4mm





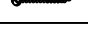
STEP 1



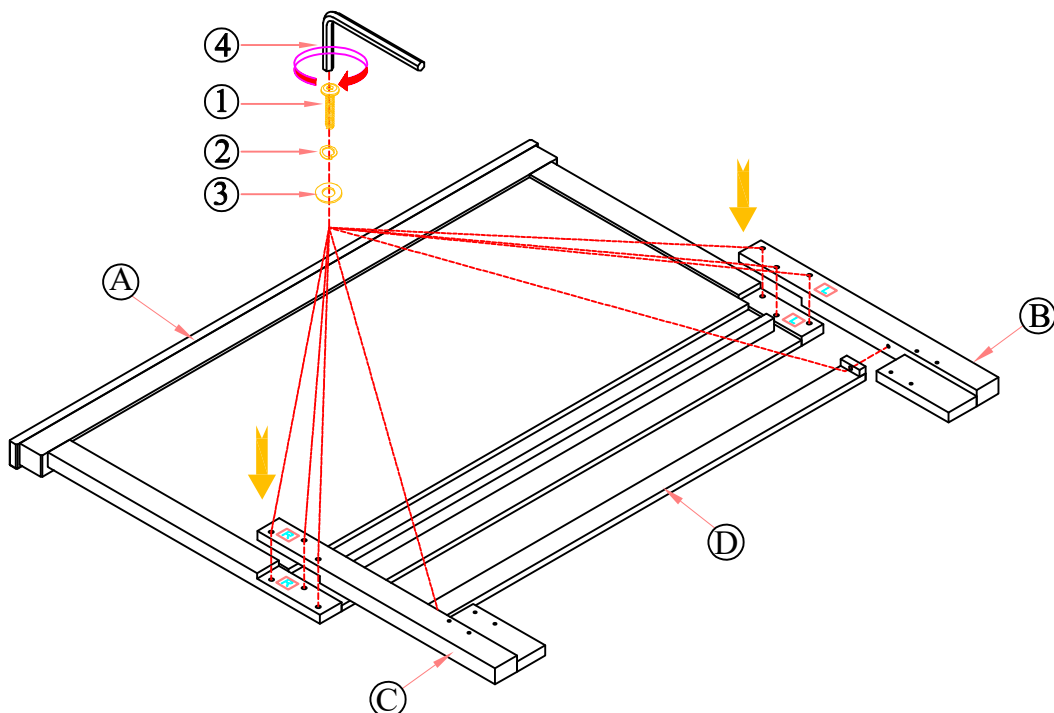
ASSEMBLY INSTRUCTIONS

**NOTE: THIS ITEM NOT RECOMMENDED FOR COMMERCIAL USE
KEEP THIS DOCUMENT FOR REFERENCE IN CASE PARTS ARE NEEDED
DO NOT TIGHTEN SCREWS UNTIL COMPLETELY ASSEMBLED! !**

No	PARTS LIST		Q'TY
A		HEADBOARD	1PC
B		LEFT LEG	1PC
C		RIGHT LEG	1PC
D		HEADBOARD BOTTOM RAIL	1PC
E		FOOTBOARD	1PC
F		SIDE RAIL	2PCS
G		SLATS	4PCS
H		SUPPORT WITH LEVELER	4PCS

No	HARDWARE LIST			Q'TY
1		BOLT	Ø5/16" x 1-3/4"	8PCS
2		LOCK WASHER	Ø5/16" x 10D x 1.1mm	8PCS
3		FLAT WASHER	Ø5/16" x 18D x 2mm	8PCS
4		WRENCH	2-1/4" x 4mm	1PC
5		THREAD BOLT	Ø5/16" x 90mm	8PCS
6		CURVED WASHERS	Ø5/16" DIA	8PCS
7		HEX NUT	Ø5/16" DIA	8PCS
8		OPEN WRENCH	12mm	1PC
9		SCREW	1-1/4" x 4mm	8PCS

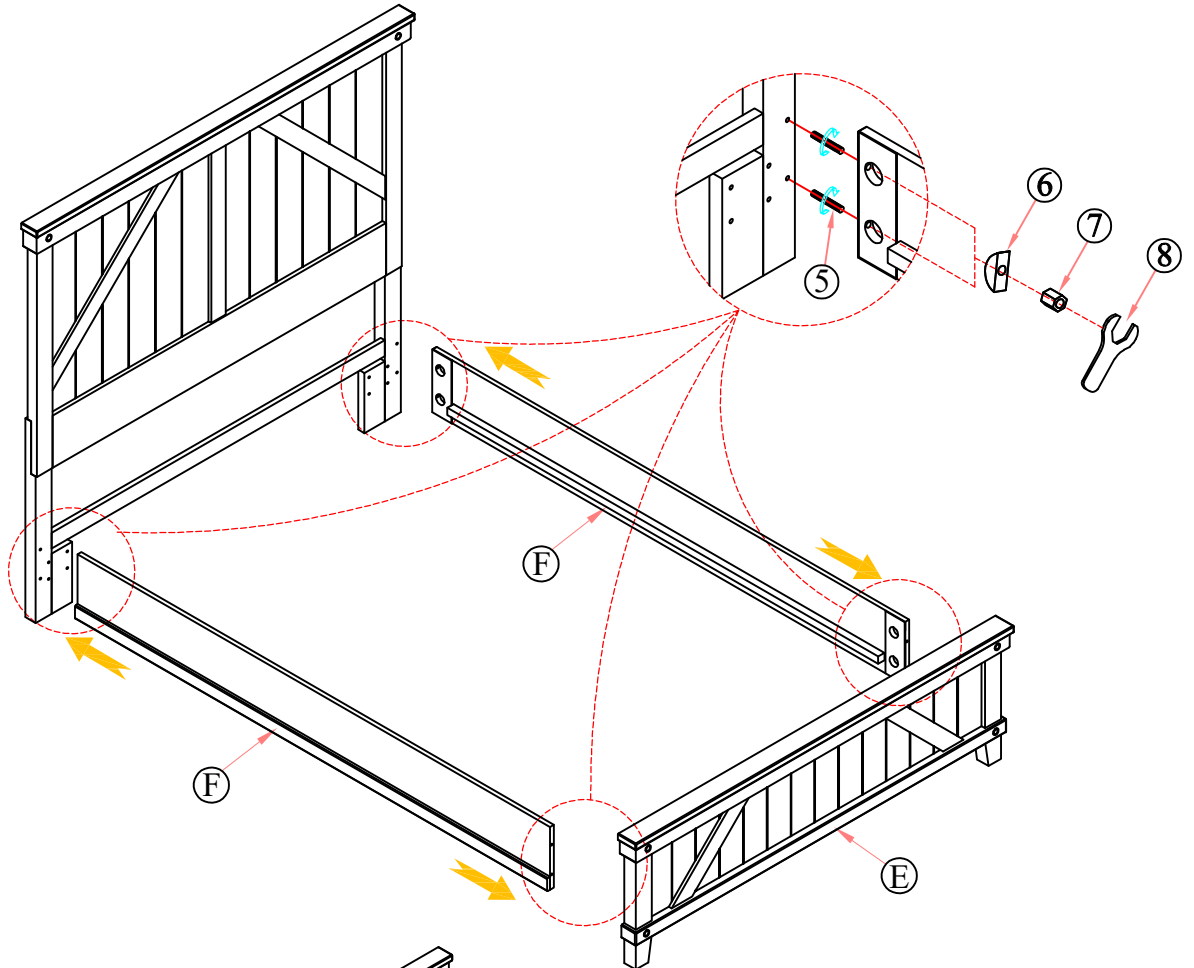
STEP 1



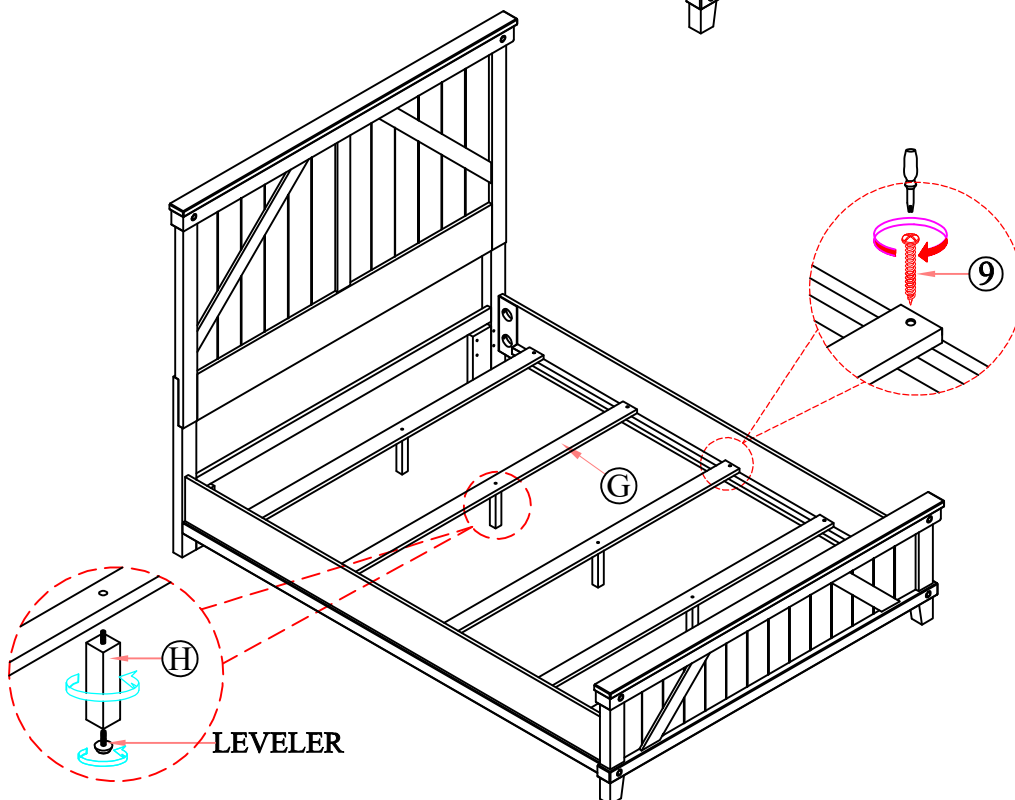
ASSEMBLY INSTRUCTIONS

**NOTE: THIS ITEM NOT RECOMMENDED FOR COMMERCIAL USE
KEEP THIS DOCUMENT FOR REFERENCE IN CASE PARTS ARE NEEDED
DO NOT TIGHTEN SCREWS UNTIL COMPLETELY ASSEMBLED! !**

STEP 2


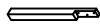
















STEP 3



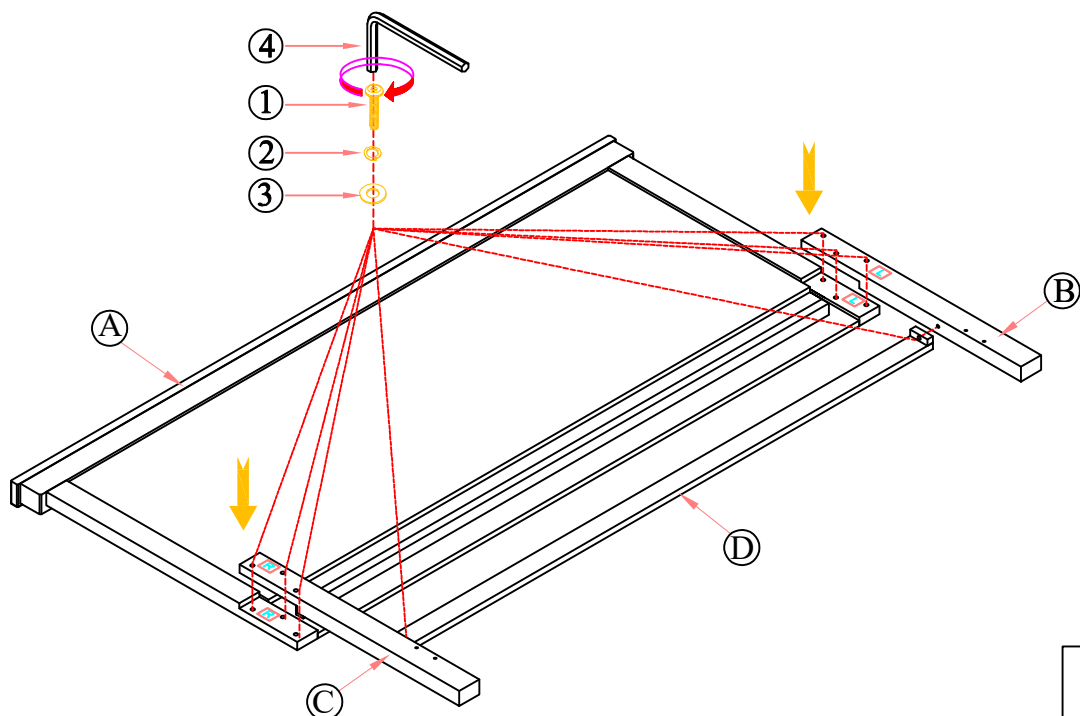
ASSEMBLY INSTRUCTIONS

**NOTE: THIS ITEM NOT RECOMMENDED FOR COMMERCIAL USE
KEEP THIS DOCUMENT FOR REFERENCE IN CASE PARTS ARE NEEDED
DO NOT TIGHTEN SCREWS UNTIL COMPLETELY ASSEMBLED! !**

No	PARTS LIST		Q'TY
A		HEADBOARD	1PC
B		LEFT LEG	1PC
C		RIGHT LEG	1PC
D		HEADBOARD BOTTOM RAIL	1PC
E		FOOTBOARD	1PC
F		SIDE RAIL	2PCS
G		SLATS	4PCS
H		SUPPORT WITH LEVELER	8PCS

No	HARDWARE LIST			Q'TY
1		BOLT	Ø5/16" x 1-3/4"	8PCS
2		LOCK WASHER	Ø5/16" x 10D x 1.1mm	8PCS
3		FLAT WASHER	Ø5/16" x 18D x 2mm	8PCS
4		WRENCH	2-1/4" x 4mm	1PC
5		THREAD BOLT	Ø5/16" x 90mm	8PCS
6		CURVED WASHERS	Ø5/16" DIA	8PCS
7		HEX NUT	Ø5/16" DIA	8PCS
8		OPEN WRENCH	12mm	1PC
9		SCREW	1-1/4" x 4mm	8PCS

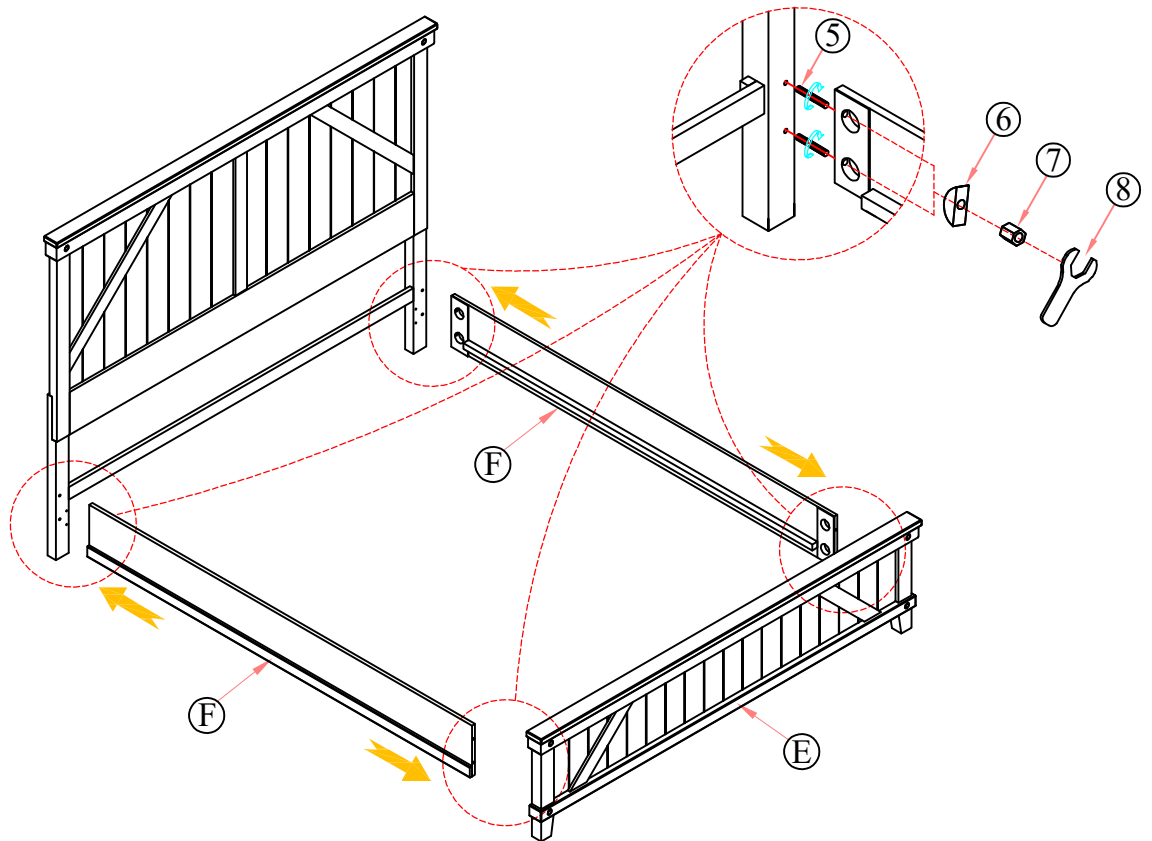
STEP 1



ASSEMBLY INSTRUCTIONS

**NOTE: THIS ITEM NOT RECOMMENDED FOR COMMERCIAL USE
KEEP THIS DOCUMENT FOR REFERENCE IN CASE PARTS ARE NEEDED
DO NOT TIGHTEN SCREWS UNTIL COMPLETELY ASSEMBLED! !**

STEP 2



STEP 3

