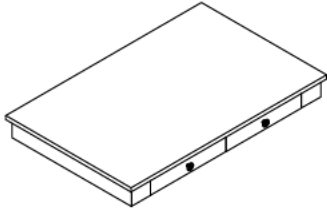


THE BEST QUALITY FURNITURE
ASSEMBLY INSTRUCTIONS

Description: COFFEE TABLE

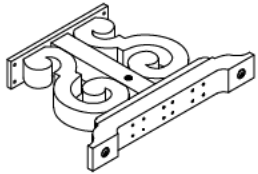
LIST OF PARTS

(A) Top Table



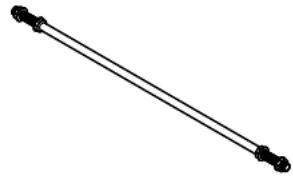
1pc

(B) Leg



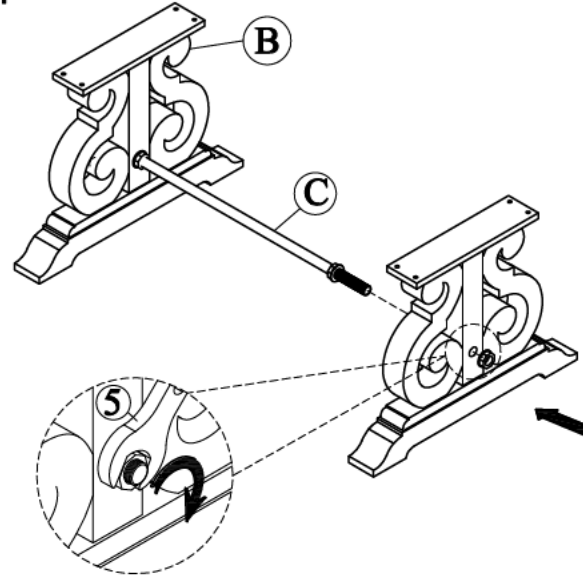
2pcs

(C) Metal rod

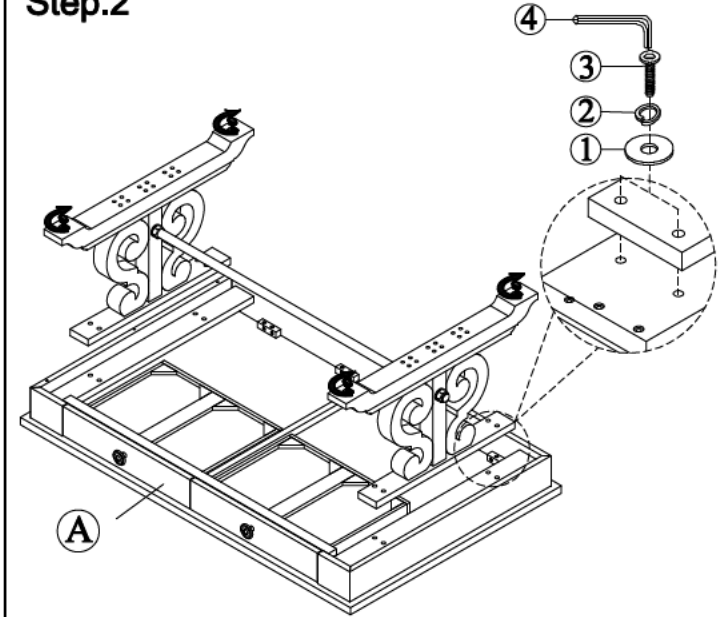


1pc

Step.1



Step.2



LIST OF HARDWARE

1. Flat Washer



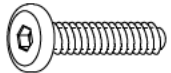
5/16" x 19mm(8pcs)

2. Spring Washer



5/16" (8pcs)

3. Short bolt



5/16" x 40mm(8pcs)

4. Allen key



1pc

5. Wrench



1pc

Completed

