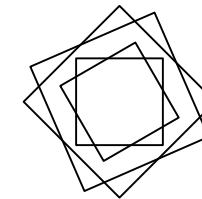
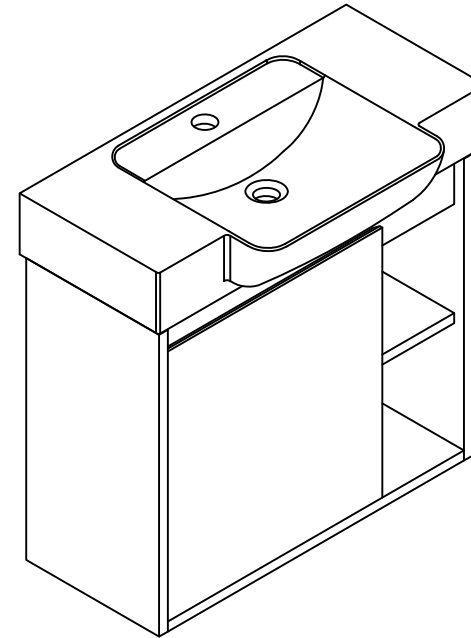


Installation Manual





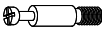


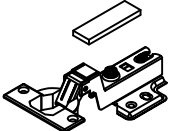



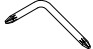

Thank you for shopping with us!

We encourage you to take a few minutes to go through this booklet. It contains important information on installation and care tips to keep your furniture looking as good as new.

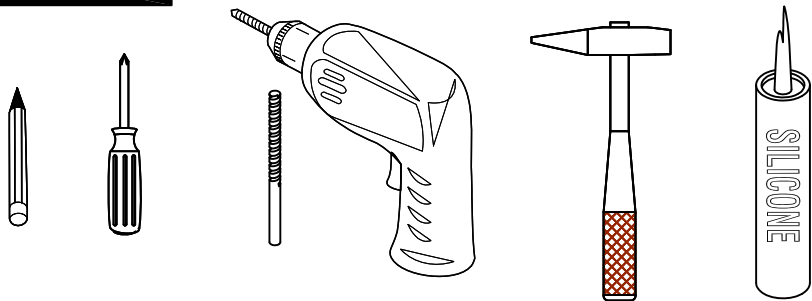
THANKS FOR WATCHING

Your feedback is invaluable to us and we would love to hear about your experience. Please take the time to leave us a review.

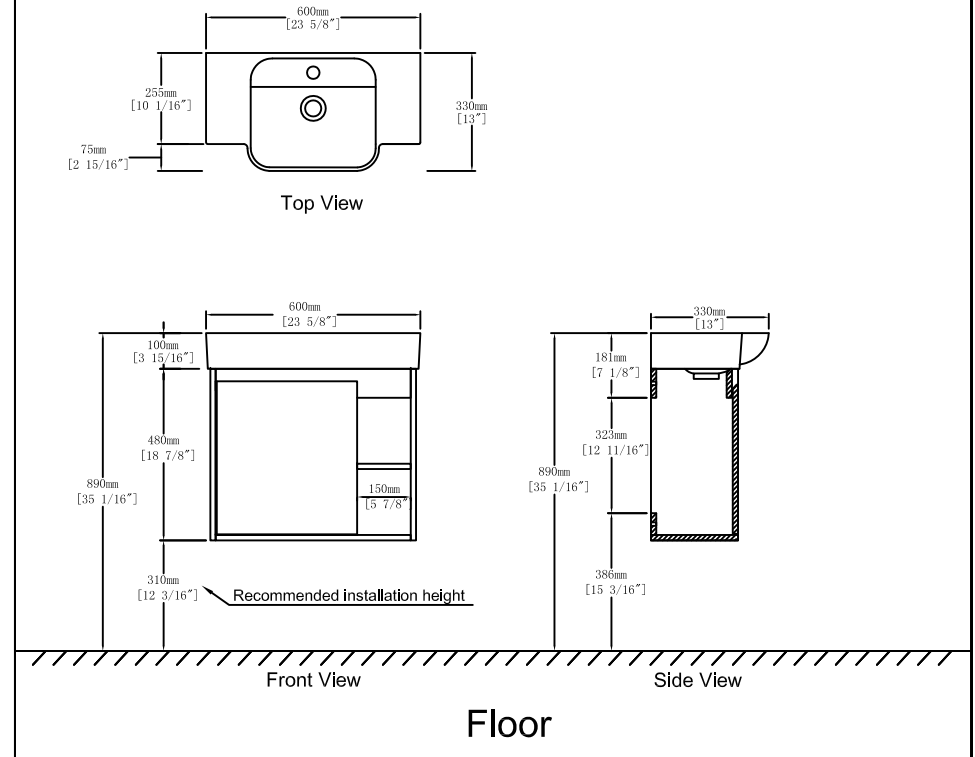
Hardware

NO.	Draw	QTY	NO.	Draw	QTY
A	 Screws Ø4x14mm	32	G	 Bracket (53x70x44mm)	2
B	 Two-in-one connector	30	H	 Bracket (19x19x35mm)	2
C	 Two-in-one connector	30	I	 Hinges (Internal hiding)	2
D	 Wood plug	7	J	 Anti-collision gasket	2
E	 Plastic anchor(Ø10mm)	4	K	 Screwdriver	1
F	 Screws for fix on the wall	4			

Recommended tools



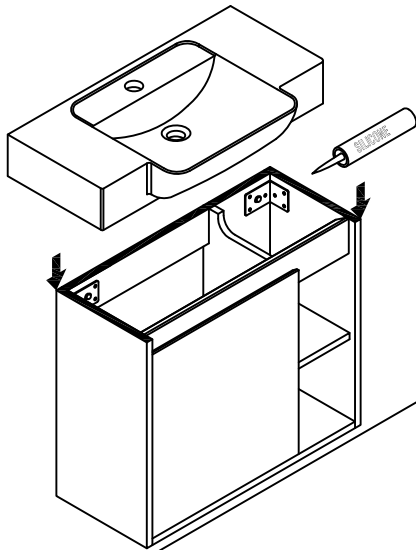
Dimensions



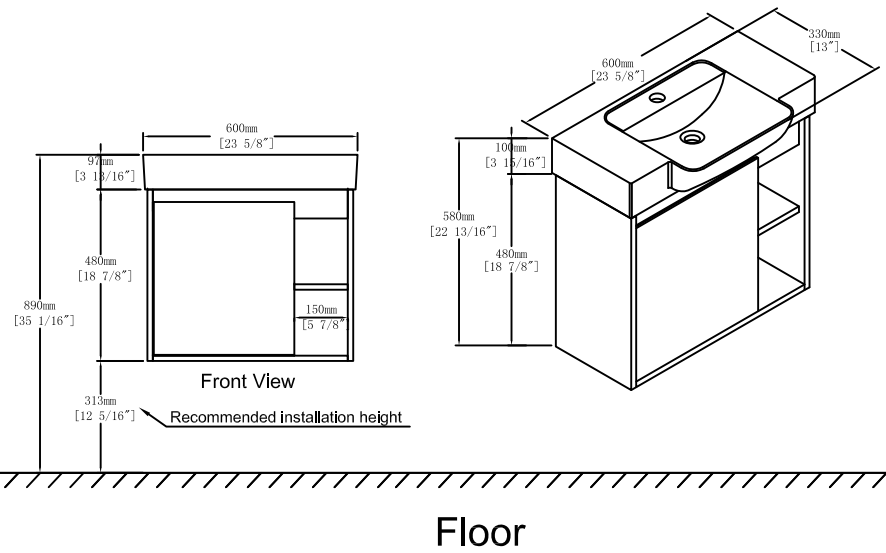
CARE CLEANING AND MAINTENANCE

1. Dust regularly with a soft , dry cloth.
2. Avoid the use of all chemicals household cleaners, abrasives, or cleaners that contain lemon, vinegar, or other acids that may damage the finish.
3. Excessive exposure to sunlight and extreme changes in temperature and moisture can damage wood furniture.
4. The sink is fragile, please pay attention to maintaining its appearance.
5. Do not place hot appliances, such as curling irons and hot hair dryers directly on the countertop. Wipe spills immediately.

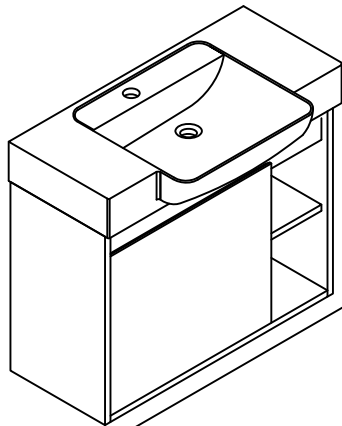
Step 14



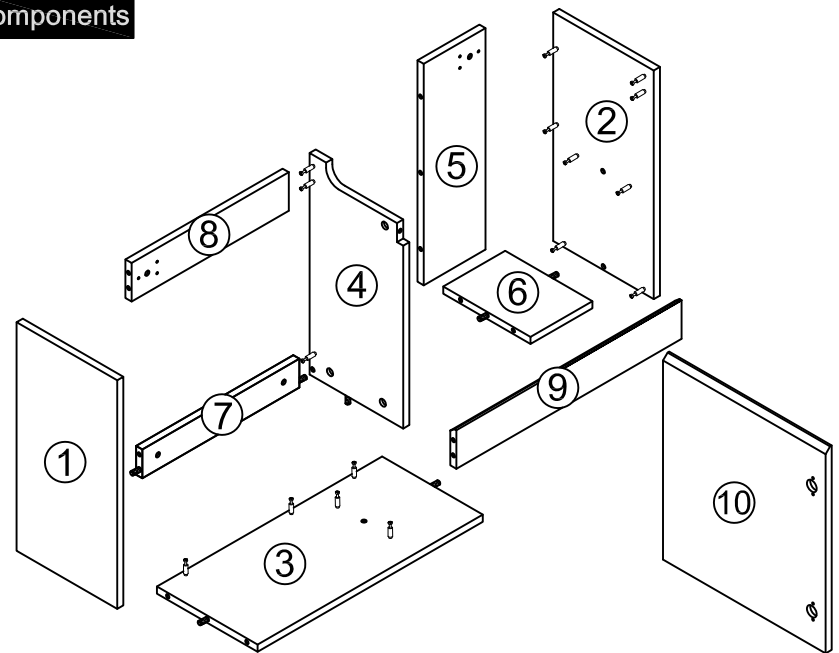
Dimensions



Finished



Components



Step 1

Notes: Screw installation depth as shown

Attention: Cam lock arrow point to the steel rod.

	x3
B	
	x3
C	
K	

Step 2

Note: The D parts are used for this hole.

	x2
B	
	x2
C	
	x1
D	
K	

Step 12

	x4
E	
Tool	

Step 13

	x4
F	
Tool	

Step 9

You can adjust the doors by tightening or loosening the screws on the hinge. →

	x2
I	(∅4 x 14mm)
	x12
A	
	x2
J	
	Tool

Step 3

Note: The D parts are used for this hole.

	x3
B	
	x3
C	
	x1
D	
	K

Step 10

Tool

Step 11

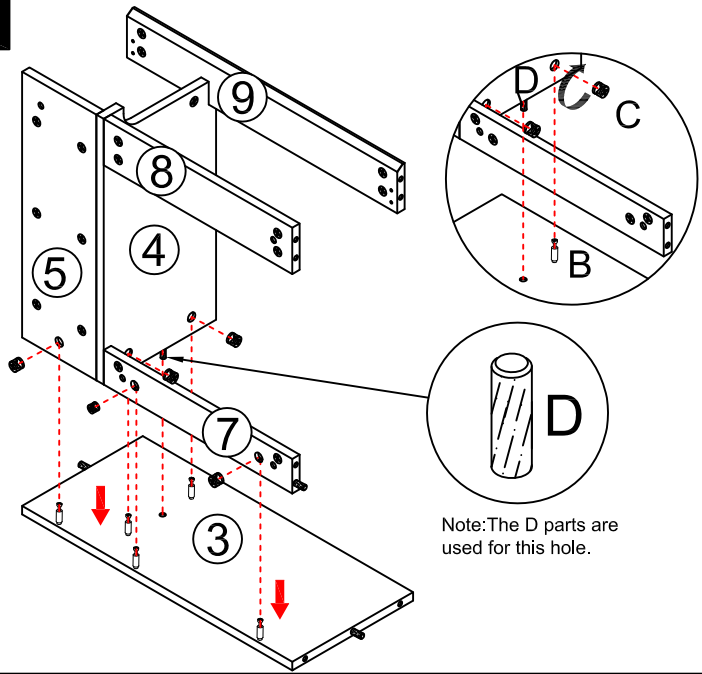
Tool

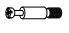



∅10

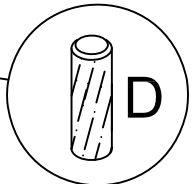
Step 4

	x1
B	
	x1
C	
	K

Step 5

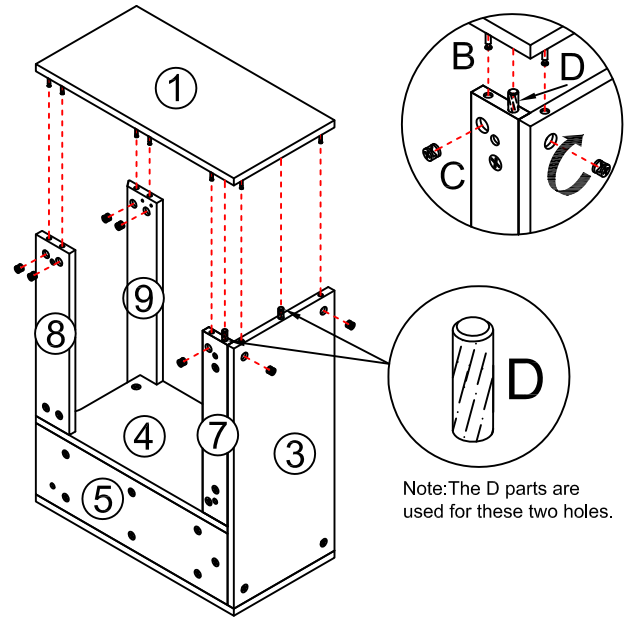


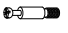


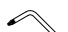
-  x5
-  x5
-  x1
- 

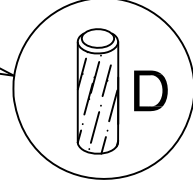


Note: The D parts are used for this hole.

Step 7

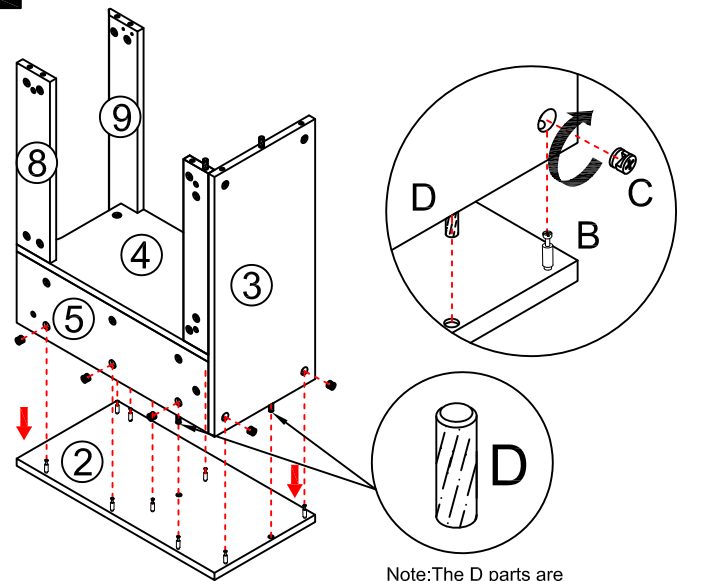


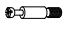


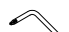
-  x7
-  x7
-  x2
- 

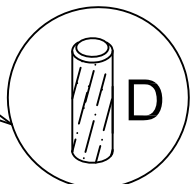


Note: The D parts are used for these two holes.

Step 6

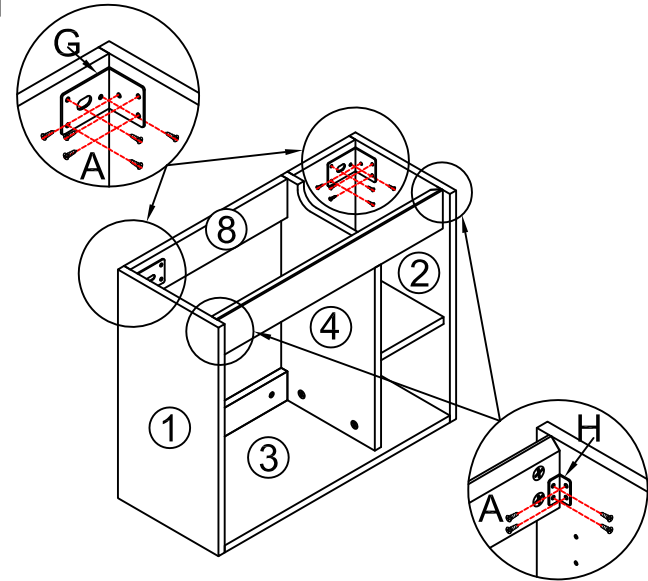



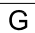

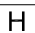
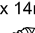

-  x9
-  x9
-  x2
- 



Note: The D parts are used for these two holes.

Step 8



-  x2
- 
-  x2
-  (Ø4 x 14mm) x20
- 
-  Tool