

LIGHTING



# LED Wall Sconce Lights

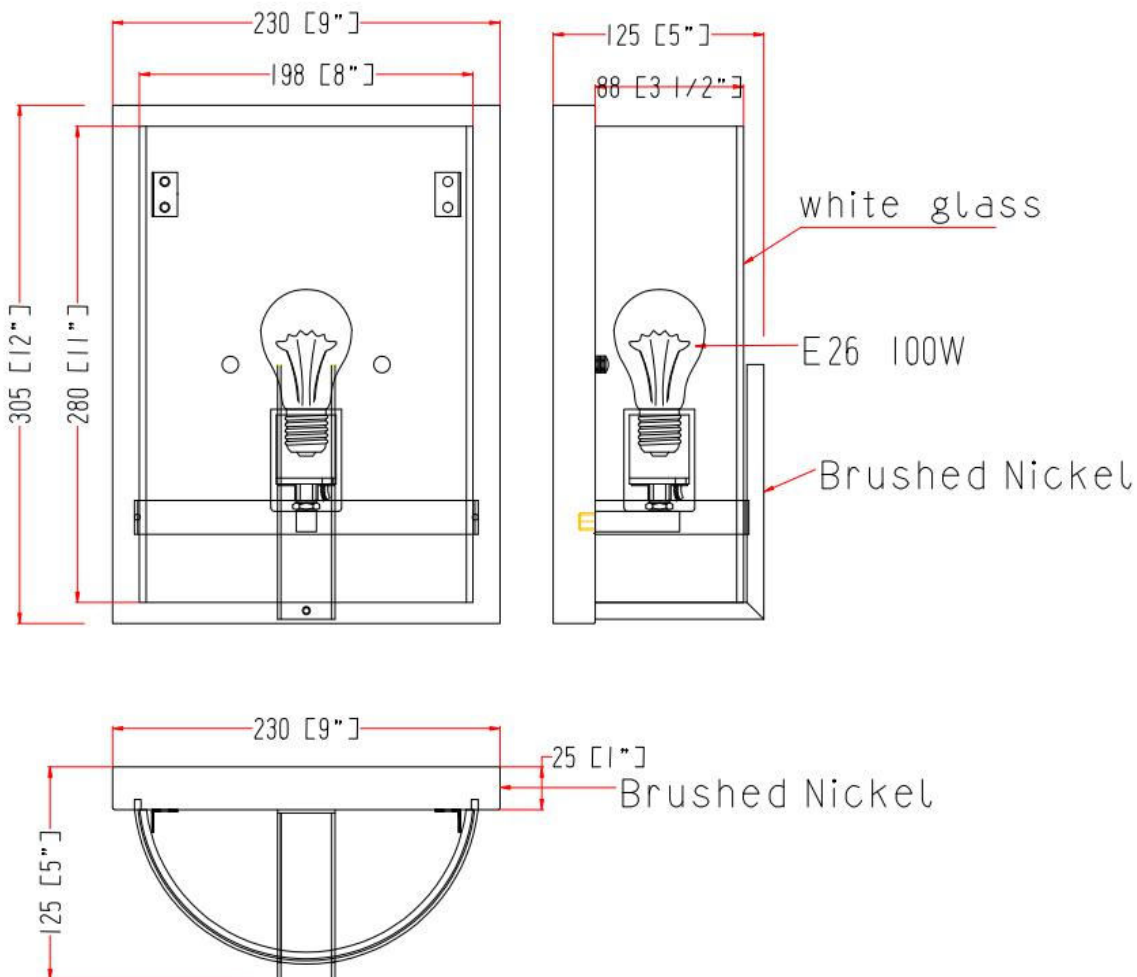


## LIGHT SPECIFICATIONS VANITY WALL LAMP

### SPECIFICATIONS



•LAMP HOLDER	E26
•WATTS	<100W
•VOLTAGE	120V
•IP RATED	DAMP LOCATION
•OPERATING TEMPRATURE	-15-40°C
•MATERIAL	GLASS/ IRON
•FINISH	BRUSHED NICKEL
•SHADE SHAPE	ARC
•SHADE MATERIAL	GLASS
•SHADE COLOR	WHITE
•WARRANTY	3-YEAR LIMITED
•RECOMMENDED BULB	A19 EXCLUDED
•DIMMABLE	DEPENDS ON BULBS
N.W.:	1.5KGS
PACKAGE:	33*25*27CM



THE MEASUREMENTS ARE ROUNDED TO THE NEAREST 1/4"