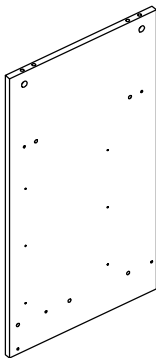
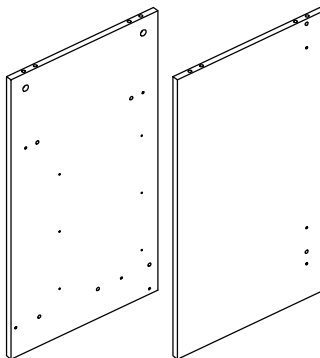


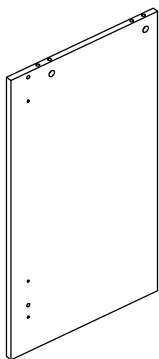
Ax1



Bx1



Cx1



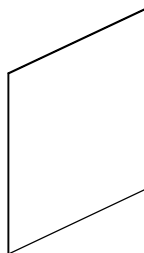
Dx1



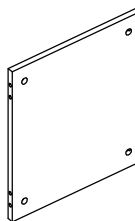
Ex1



Fx1



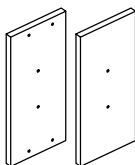
Gx1



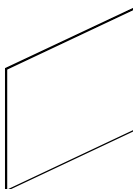
Hx1



Ix3



Jx3



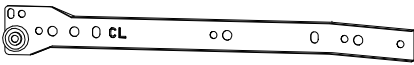
Kx3



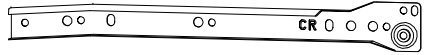
Lx6



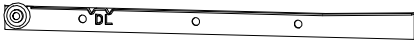
Mx3



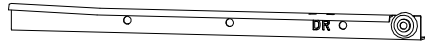
CLx3



CRx3



DLx3



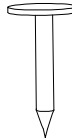
DRx3



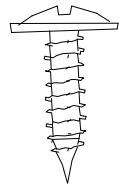
Nx46



Ox20



PX59



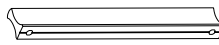
QX3



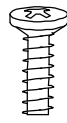
Rx36



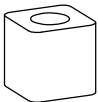
Sx46



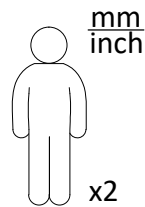
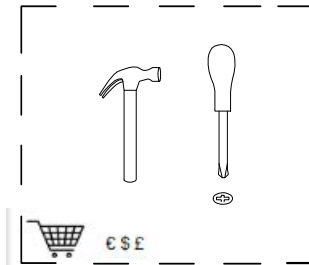
Tx3



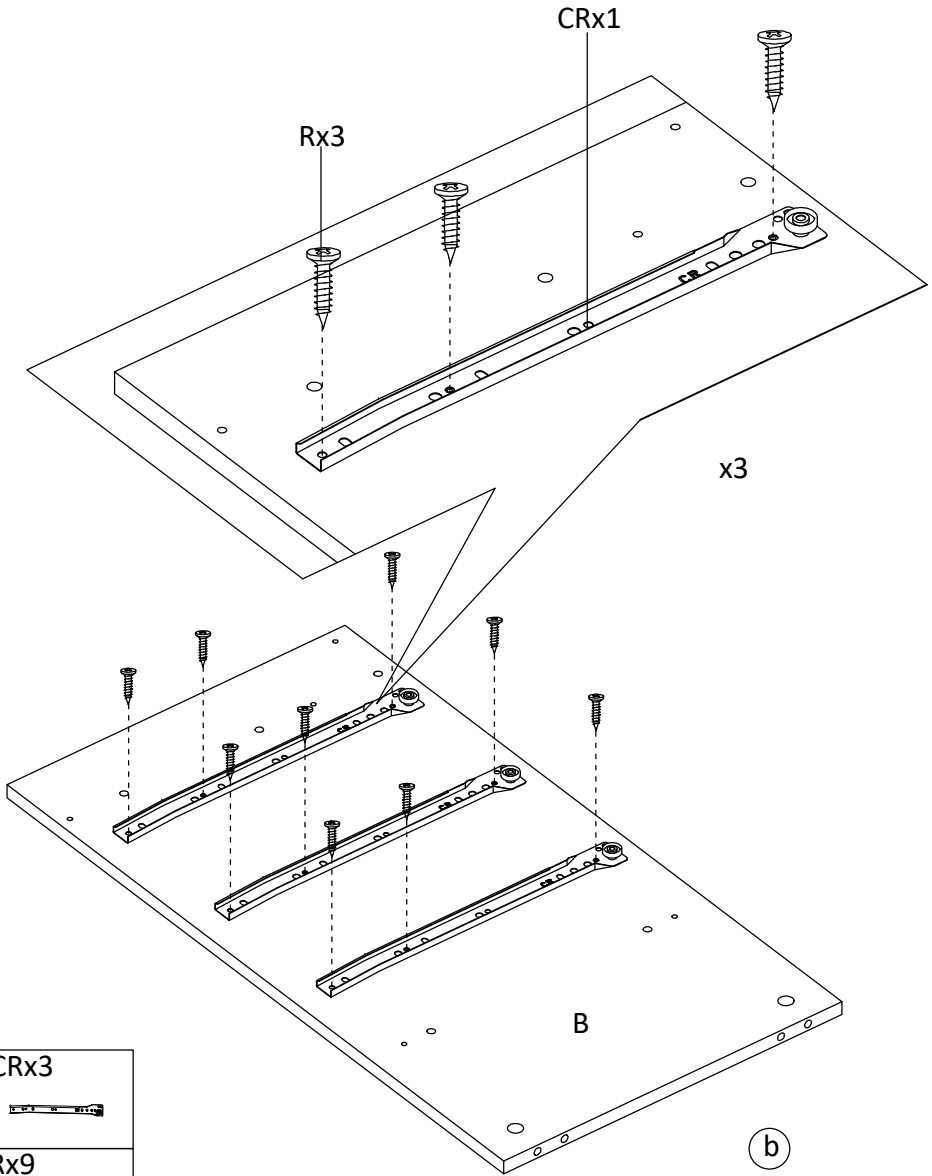
Ux6



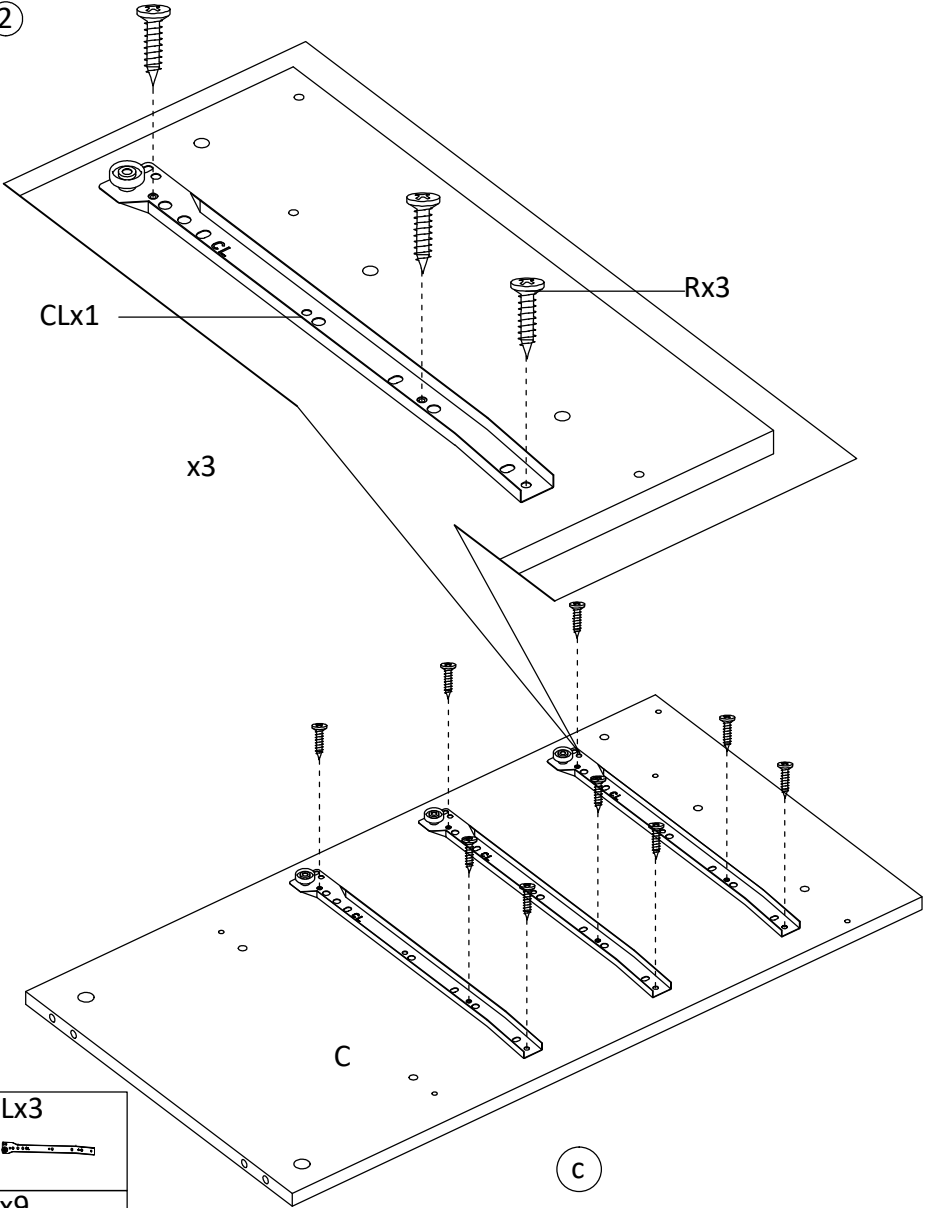
Vx3



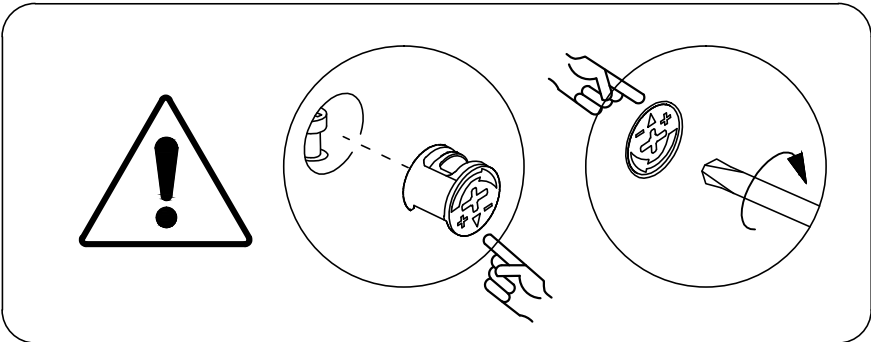
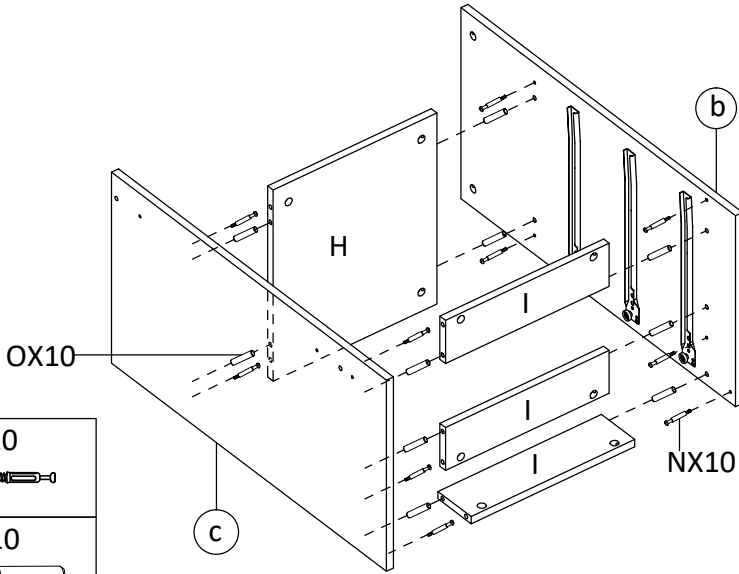
1



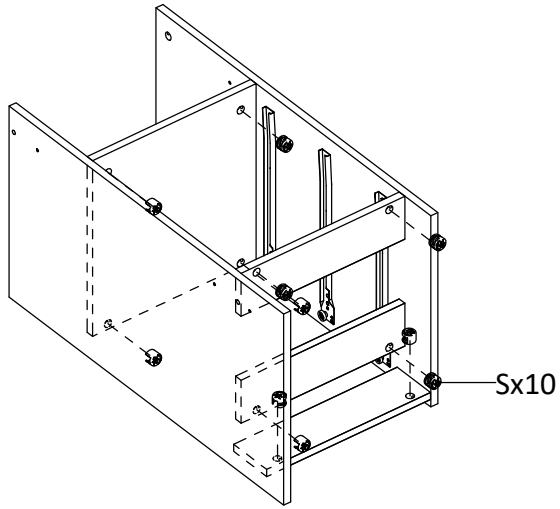
②



3



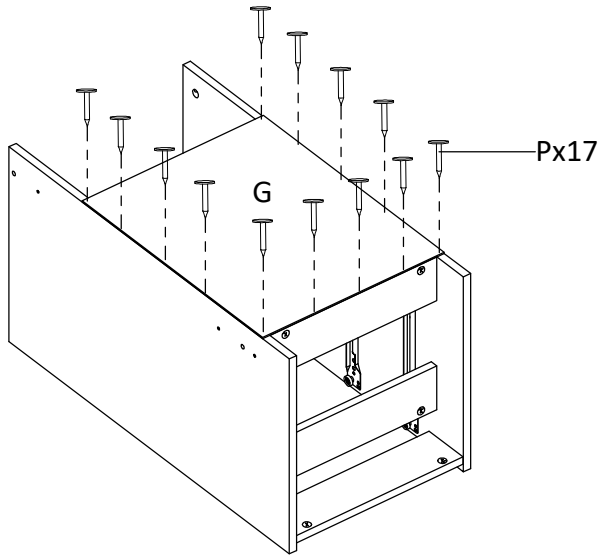
4



Sx10



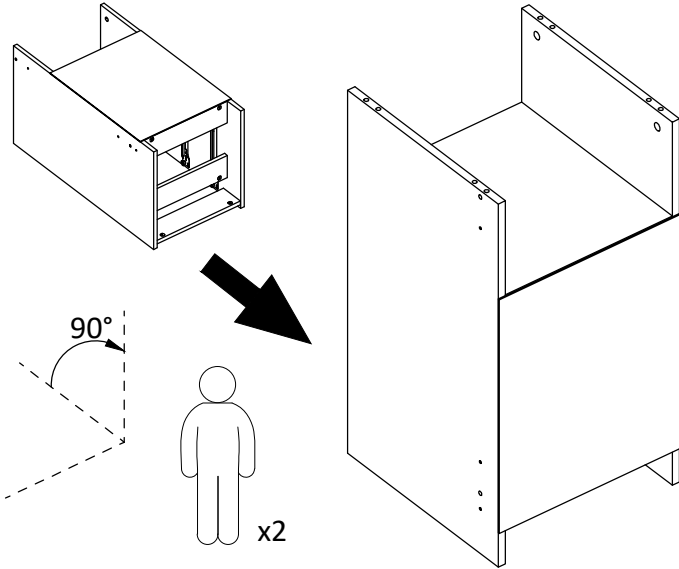
5



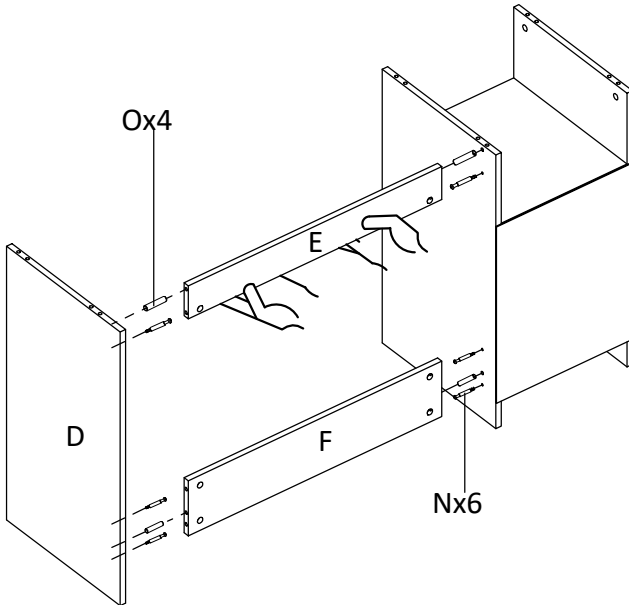
Px17



6



7



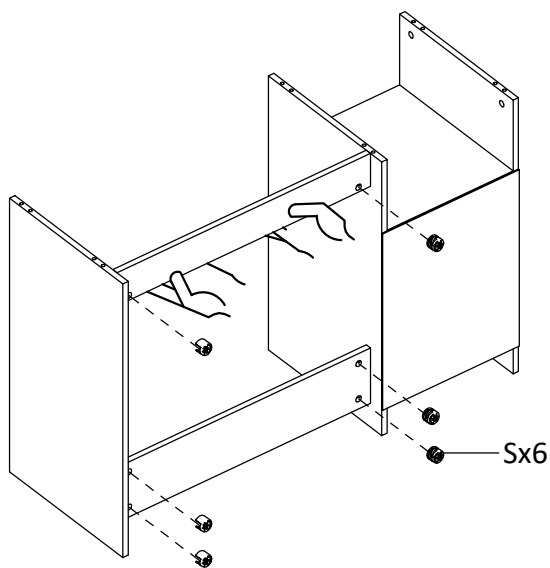
Nx6



Ox4



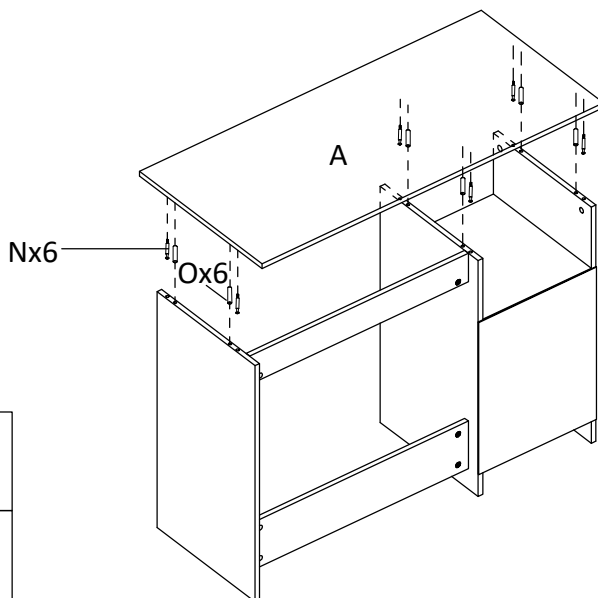
8



Sx6



9



Nx6

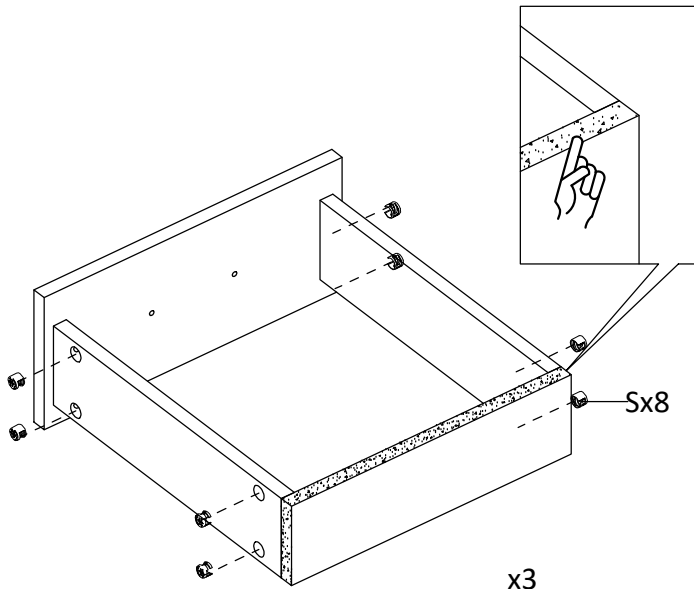


Ox6





12

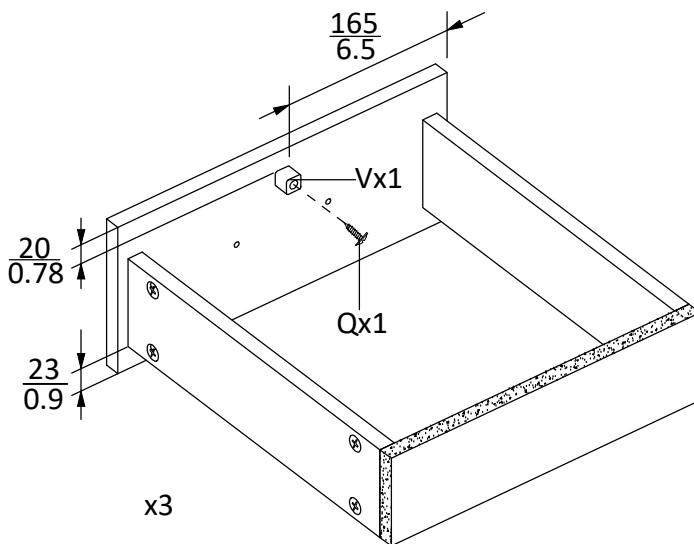


Sx24



x3

13



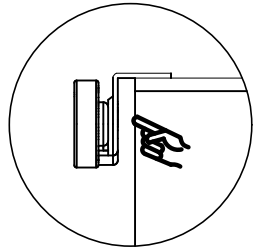
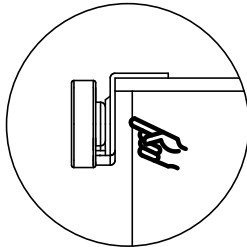
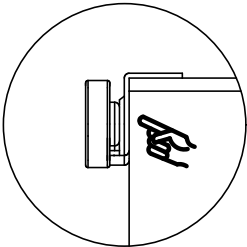
Vx3



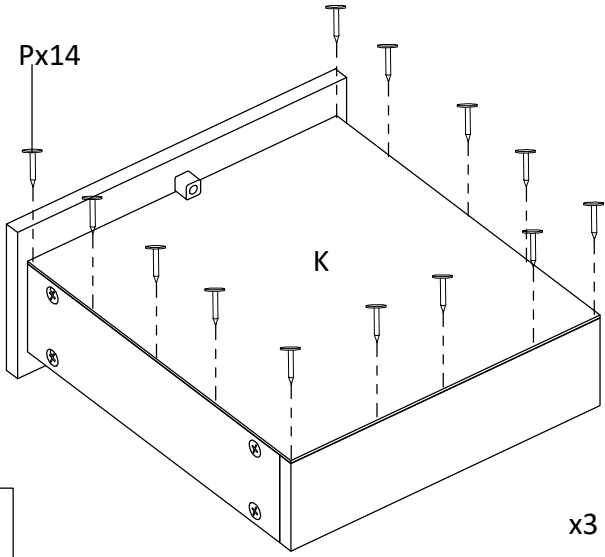
Qx3



x3



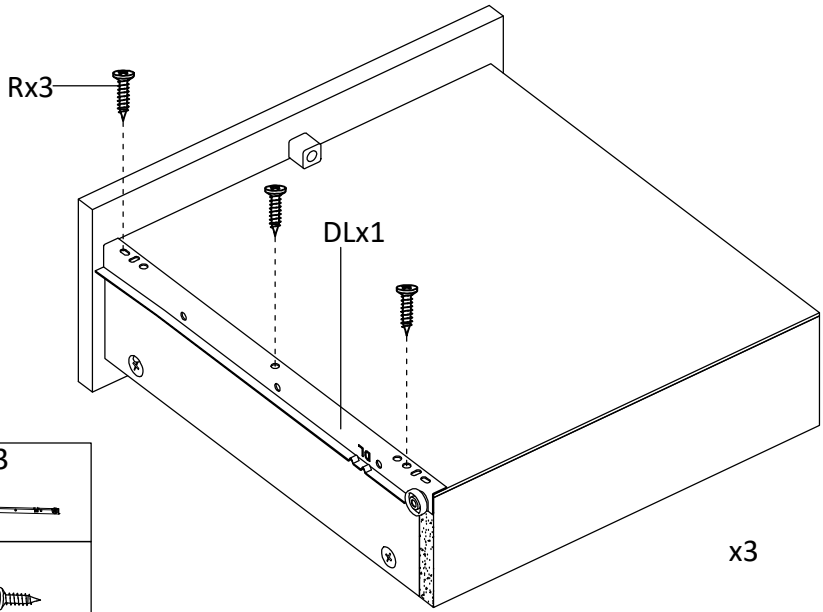
14



Px42



15



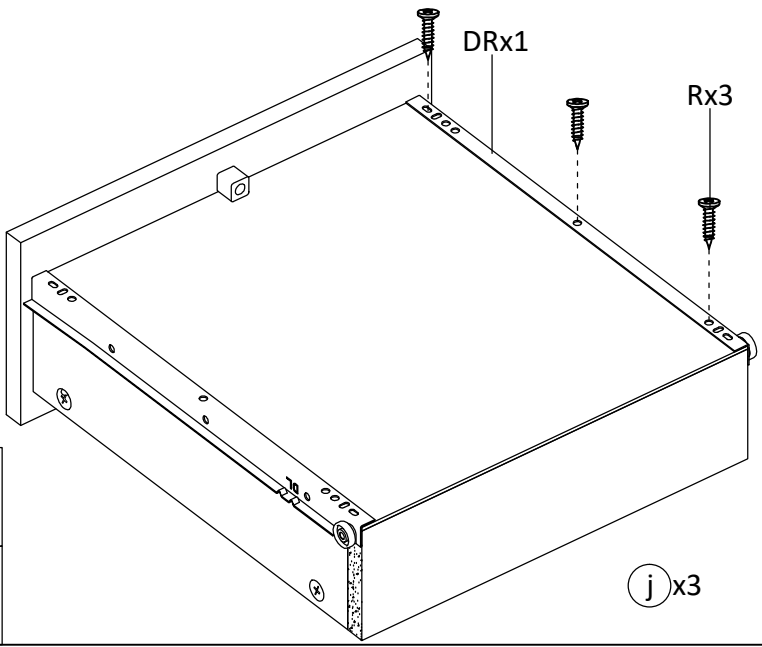
DLx3




Rx9



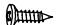
16



DRx3



Rx9



17

