

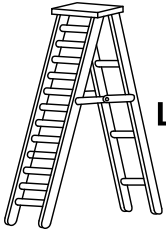
ASSEMBLY INSTRUCTIONS



CAUTION

- ◆ Inspect the wire insulation for any cuts, abrasions, or exposed copper that may have resulted during shipping. If there is a defect in the wire, do not attempt installation.
- ◆ Before starting installation of this fixture or removal of a previous fixture, disconnect the power by turning off the circuit breaker or by removing the fuse at the fuse box.

TOOLS REQUIRED



Ladder



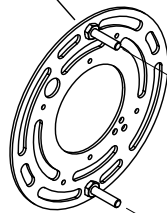
**Safety
glasses**



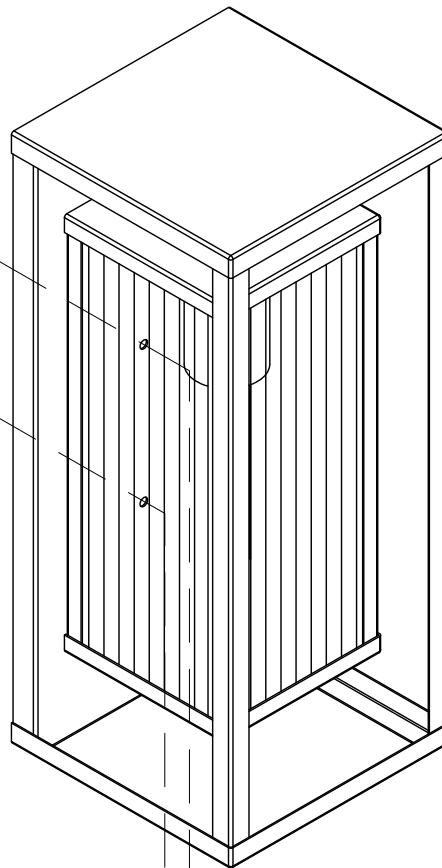
**Phillips
screwdriver**

PARTS SHOWN MAY DIFFER SLIGHTLY PER LIGHT FIXTURE

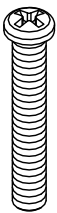
MOUNTING PLATE



LAMP BODY



PART BAG



X2



X3

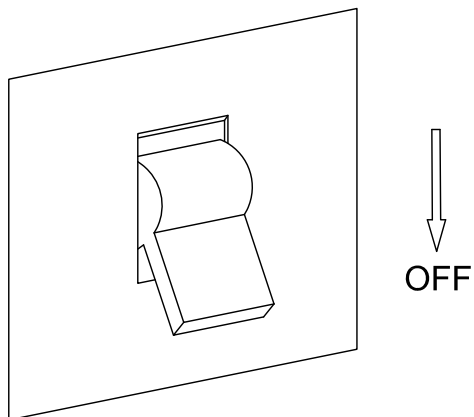


NUT



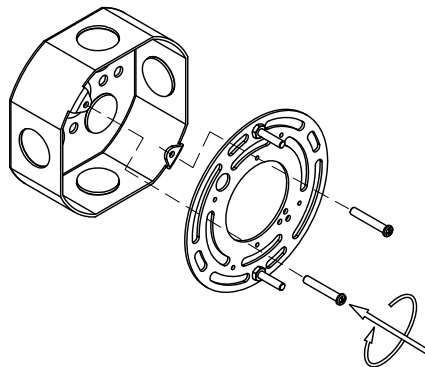
Step 1

Power off



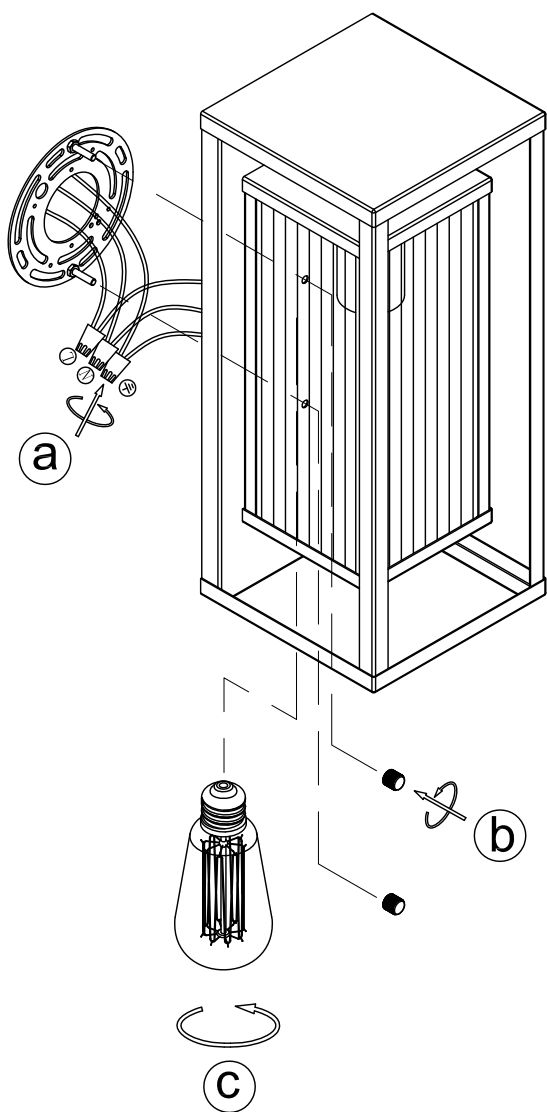
Step 2

Use the mounting screws to attach the mounting plate to the junction box(not included).



Step 3

- a. Connect the wire.
- b. Attach the wall sconce to the mounting plate.
- c. Install the bulb(not included).



OUTDOOR SCONCE

