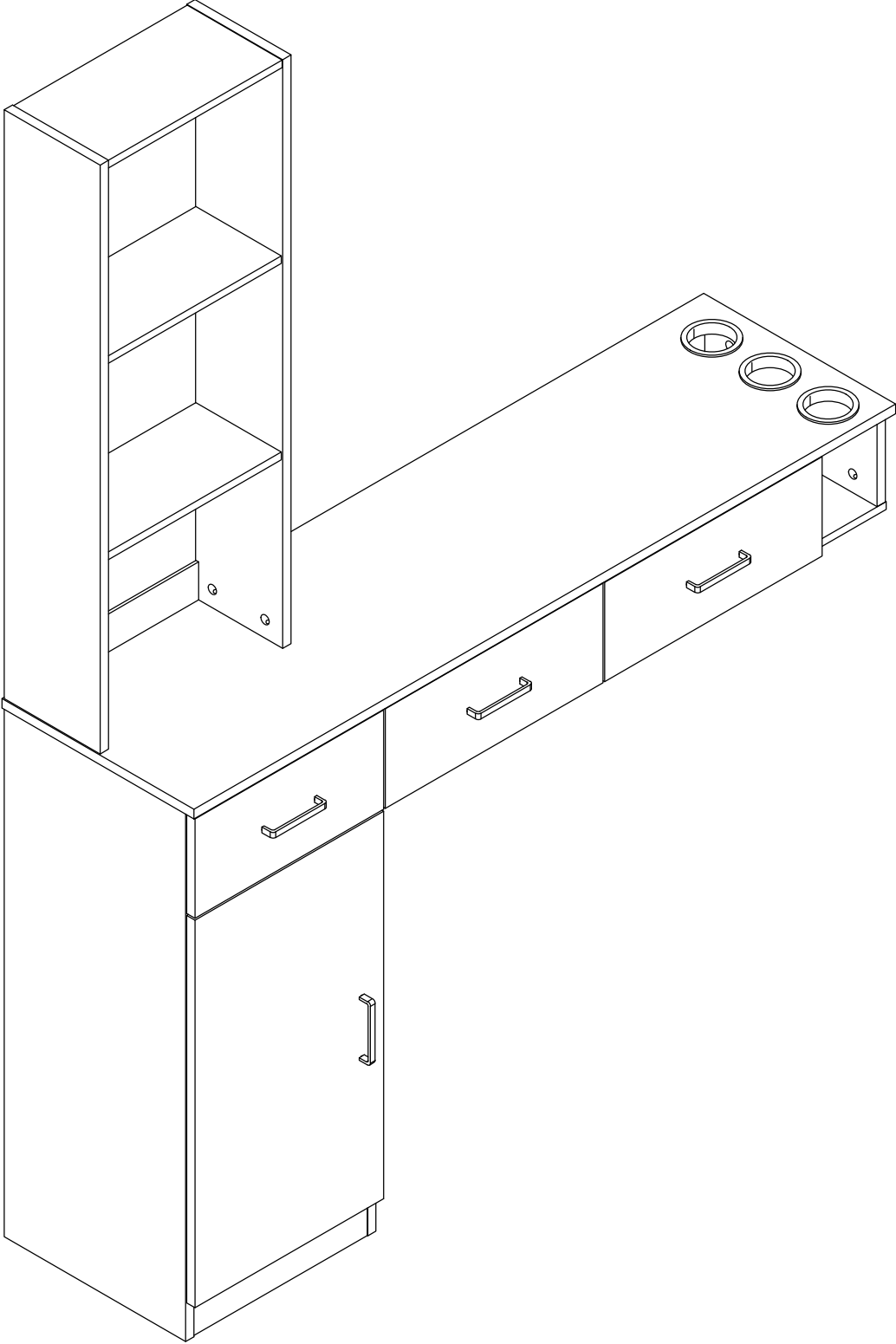
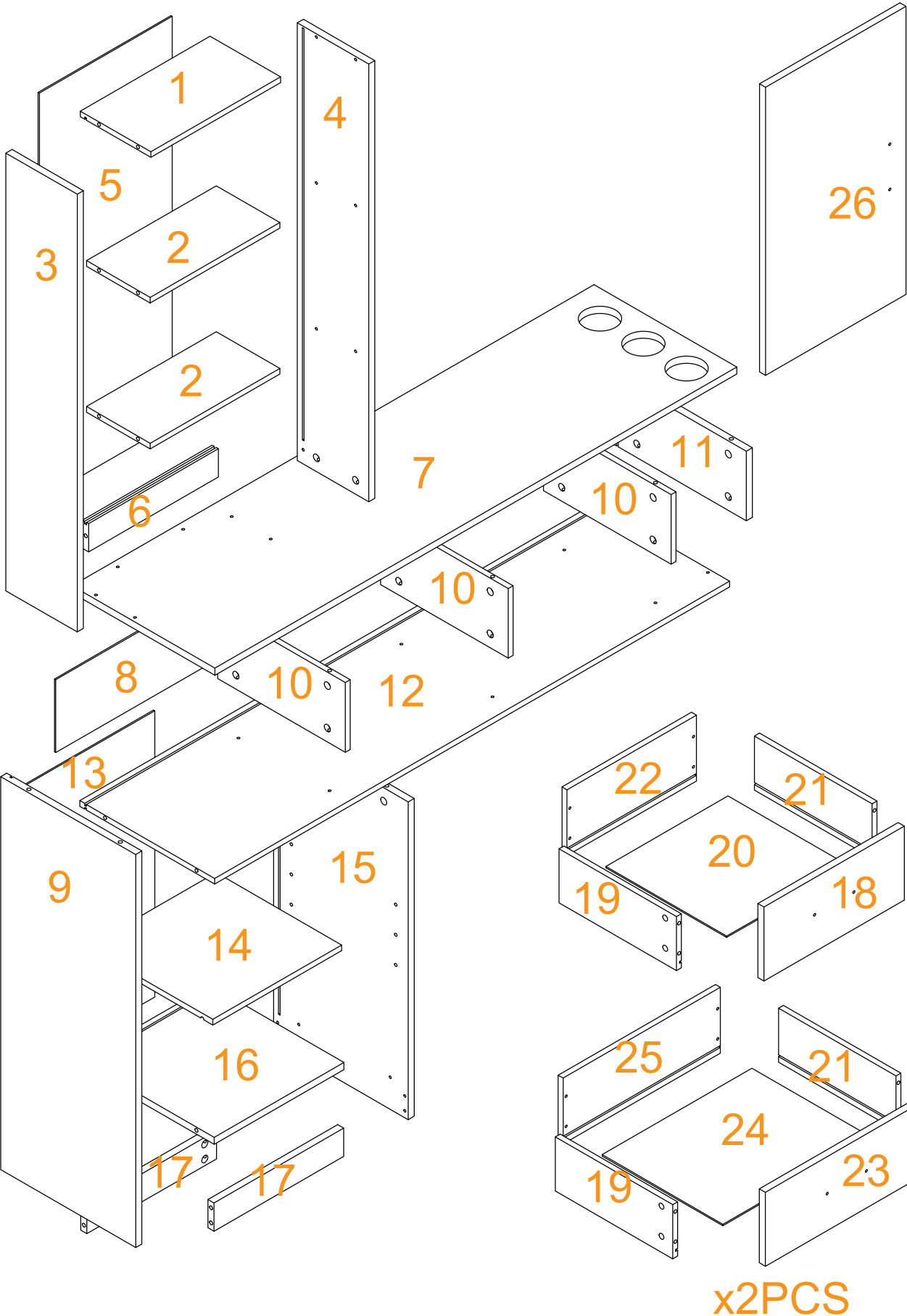


Installation & Assembly



ASSEMBLY INSTRUCTIONS



Trouble Shooting

Missing/Damaged pieces/
Wrong size and installation issues



Contact us with your problem, pic,
number and qty to the "Contact seller"
button in the detail page of your order



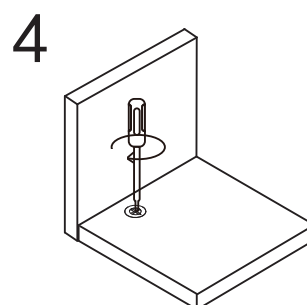
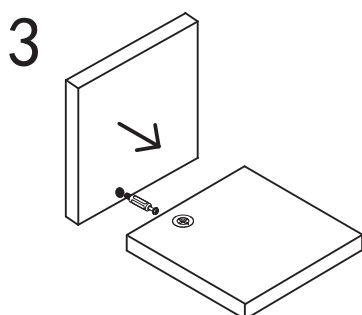
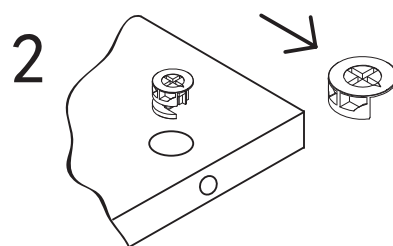
Respond with 24 hours to solve issue

Before You Start

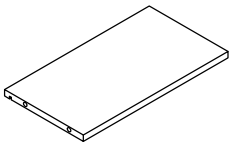
1. Read through each step carefully and follow the proper order
2. Separate and count all your parts and hardware
3. Give yourself enough room for the assembly process
4. Caution: If using a power drill or power screwdriver for screwing, please be aware to slow down and stop when screw is tight. Failure to do so may result in stripping the screw

Cam Lock Fastening System

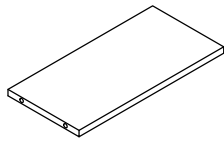
This Cam Lock Fastening System will be used throughout the assembly process



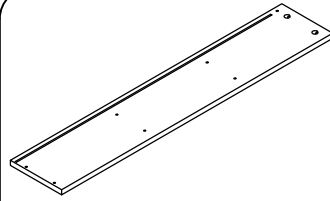
Parts List



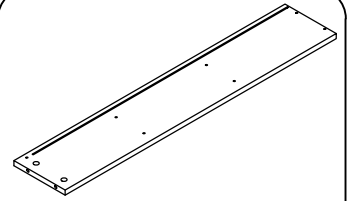
1 1PC



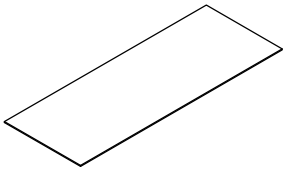
2 2PCS



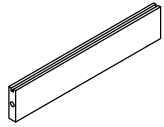
3 1PC



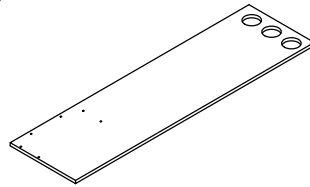
4 1PC



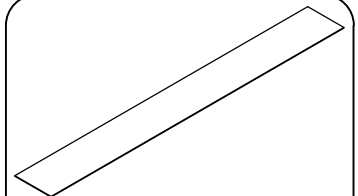
5 1PC



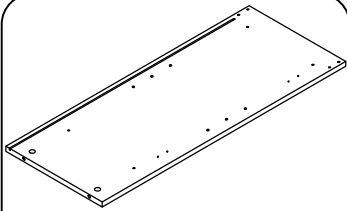
6 1PC



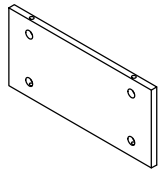
7 1PC



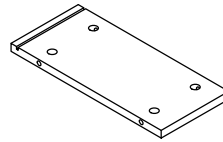
8 1PC



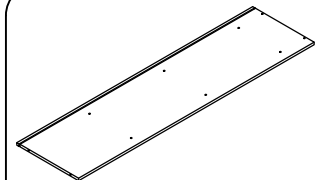
9 1PC



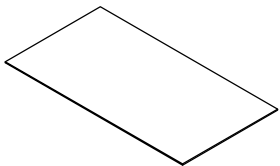
10 3PCS



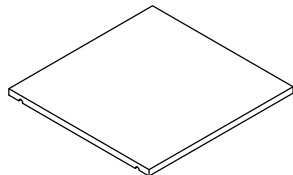
11 1PC



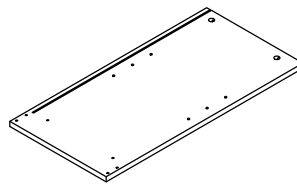
12 1PC



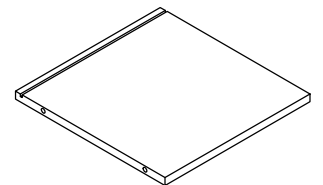
13 1PC



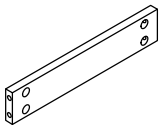
14 1PC



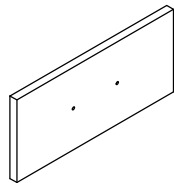
15 1PC



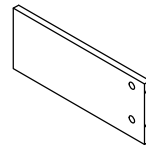
16 1PC



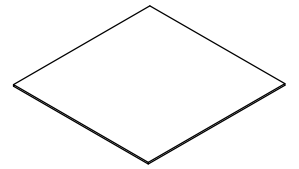
17 2PCS



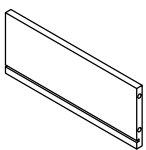
18 1PC



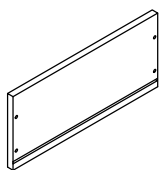
19 3PCS



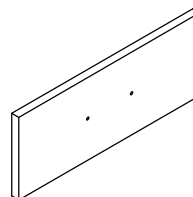
20 1PC



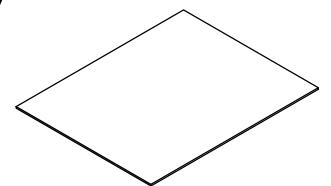
21 3PCS



22 1PC

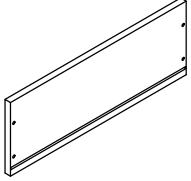


23 2PCS

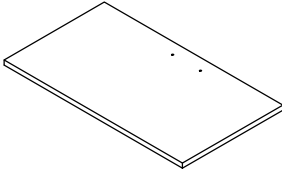


24 2PCS

Parts List




25	2PCS
----	------

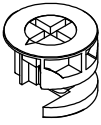


26	1PC
----	-----

Hardware List

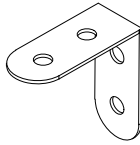


A	66PCS
---	-------

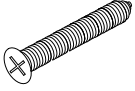


Ø15

B	28PCS
---	-------

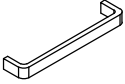


C	3PCS
---	------




Ø4*40mm

D	12PCS
---	-------

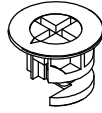


E	4PCS
---	------




M4*18mm

F	8PCS
---	------



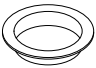
Ø12

G	38PCS
---	-------

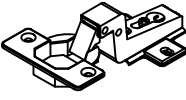


Ø3.5*14mm


H	14PCS
---	-------



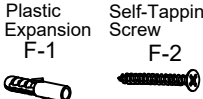
I	3PCS
---	------



J	2PCS
---	------



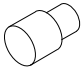
K	6PCS
---	------



Plastic Expansion F-1 Self-Tapping Screw F-2

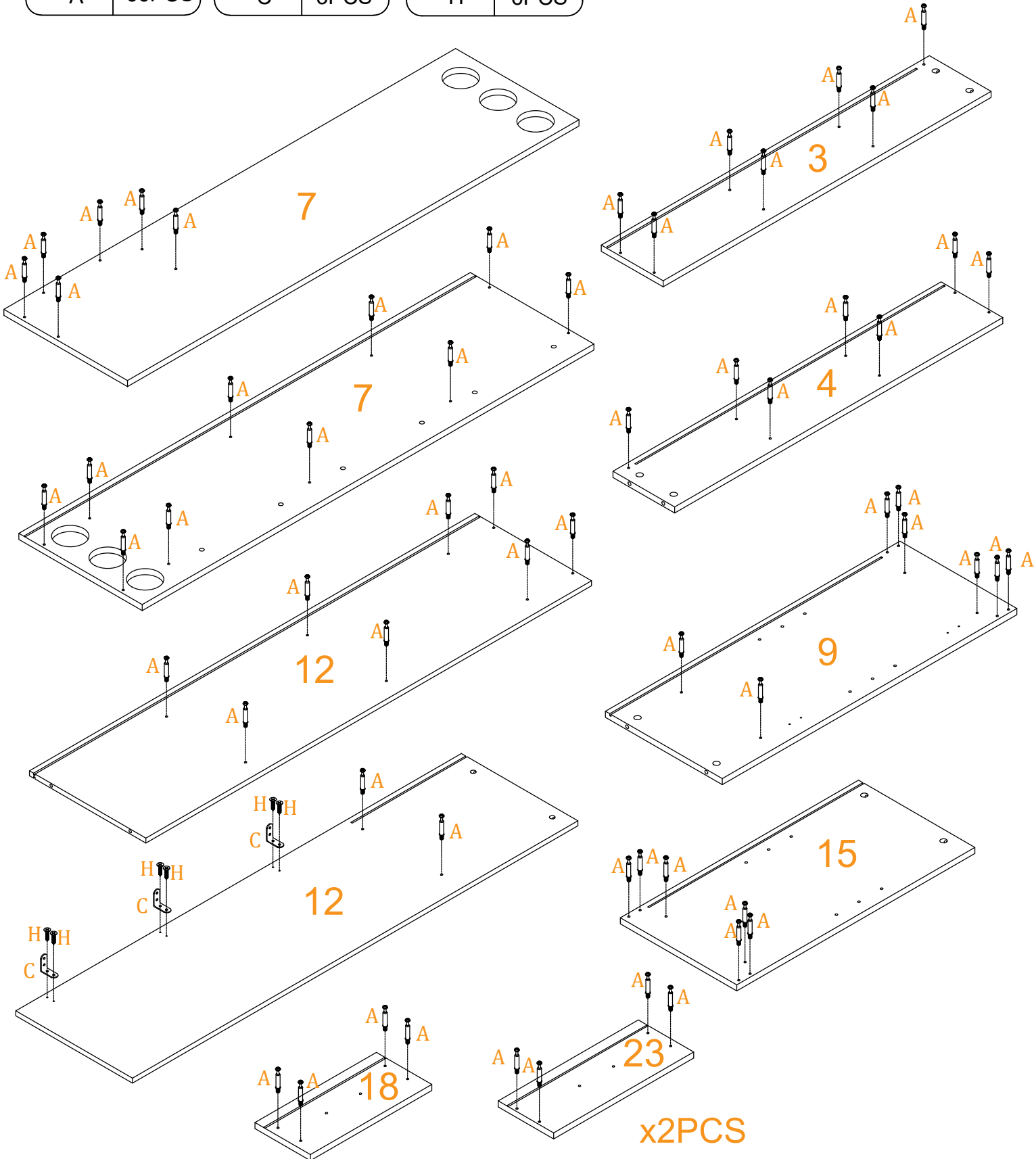
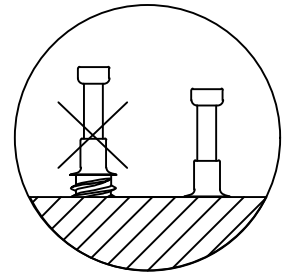
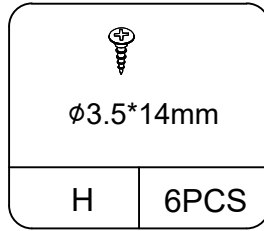
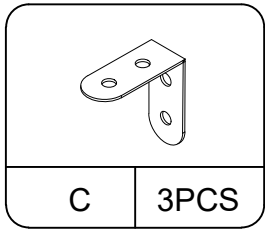
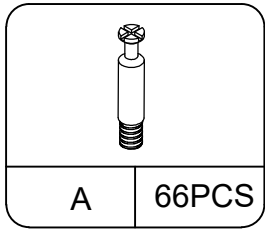
Ø6*40

L	6PCS
---	------

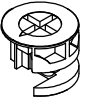


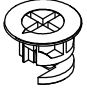
M	4PCS
---	------

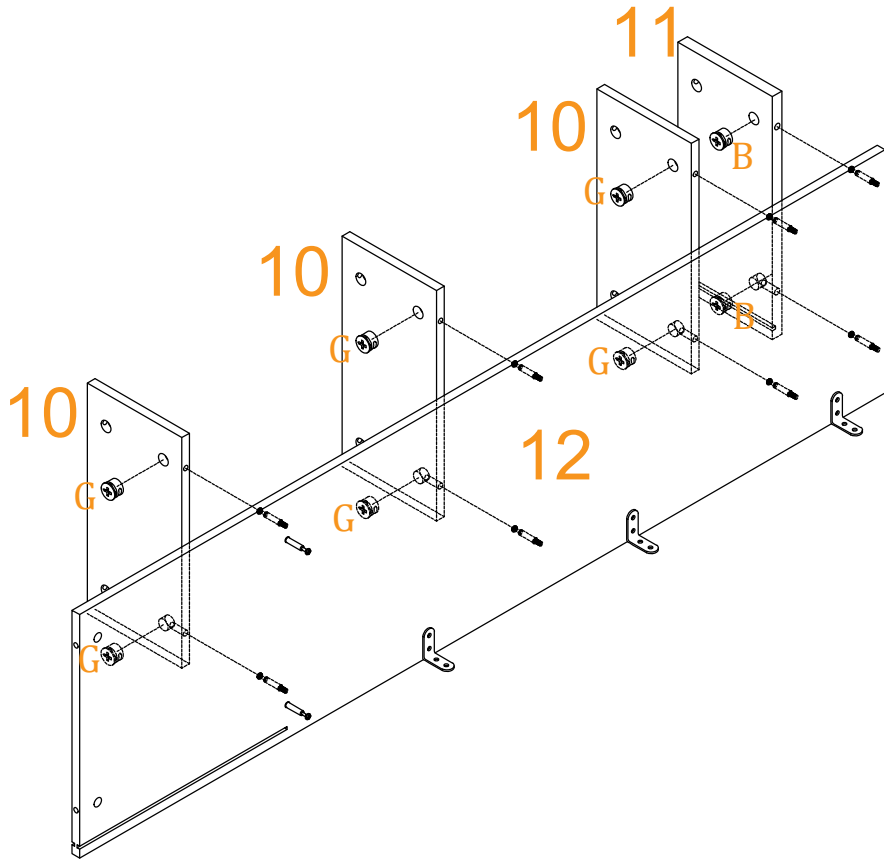
STEP 1



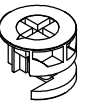
STEP 2

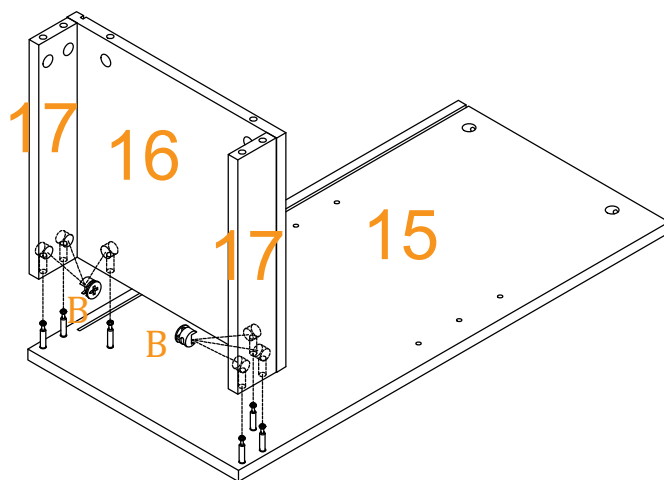
	Ø15
B	2PCS

	Ø12
G	6PCS

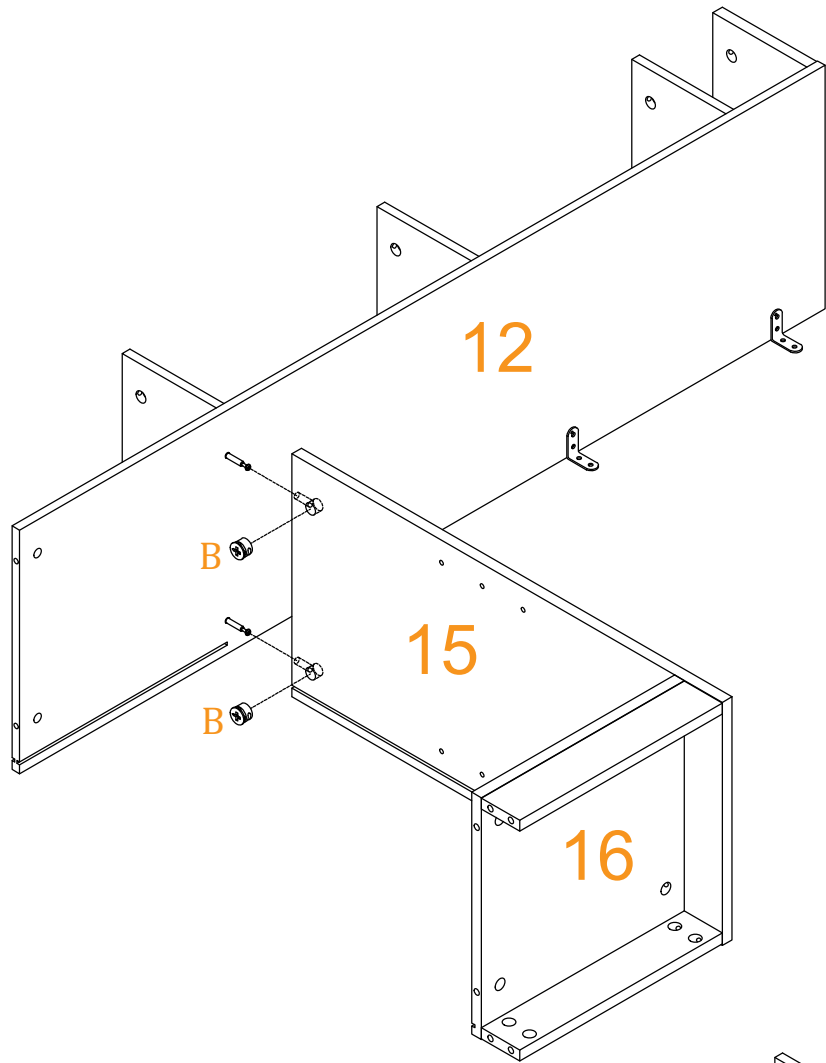
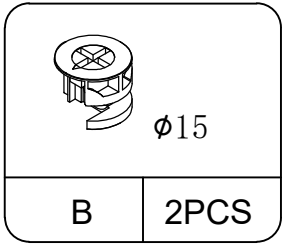


STEP 3

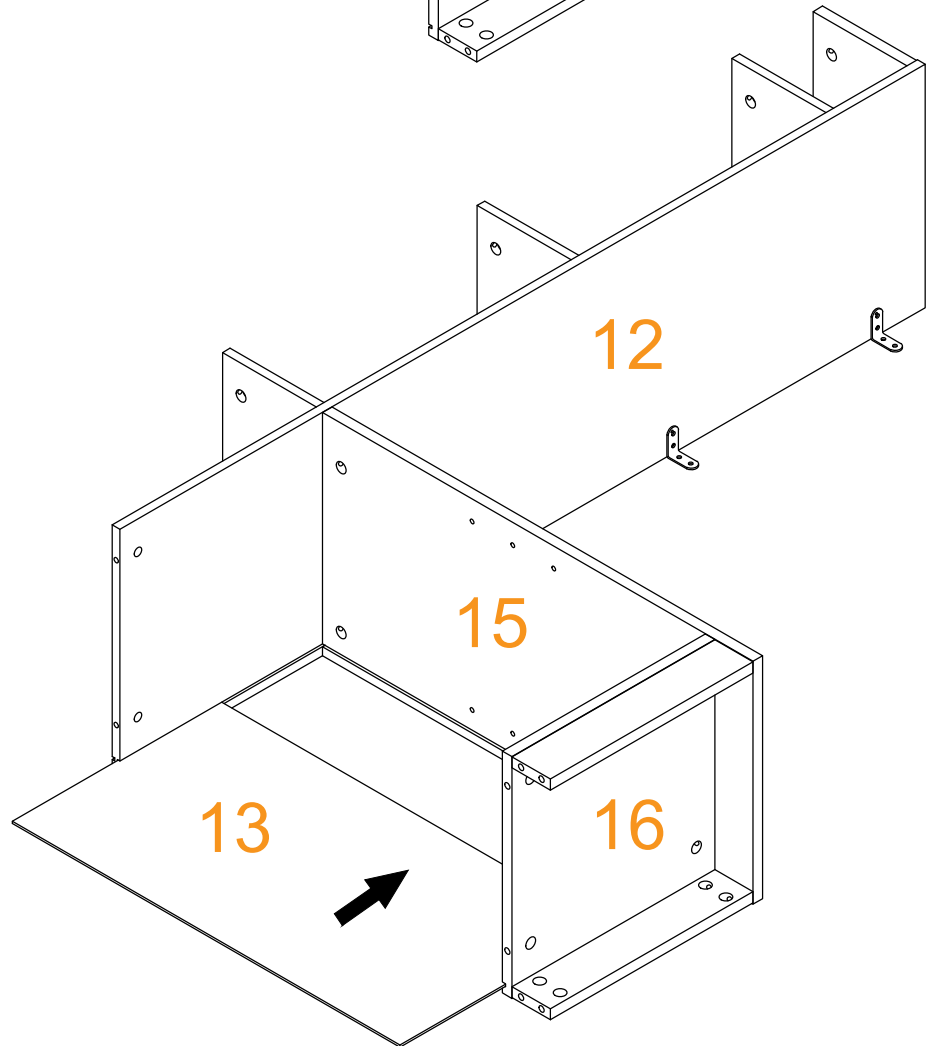
	Ø15
B	6PCS



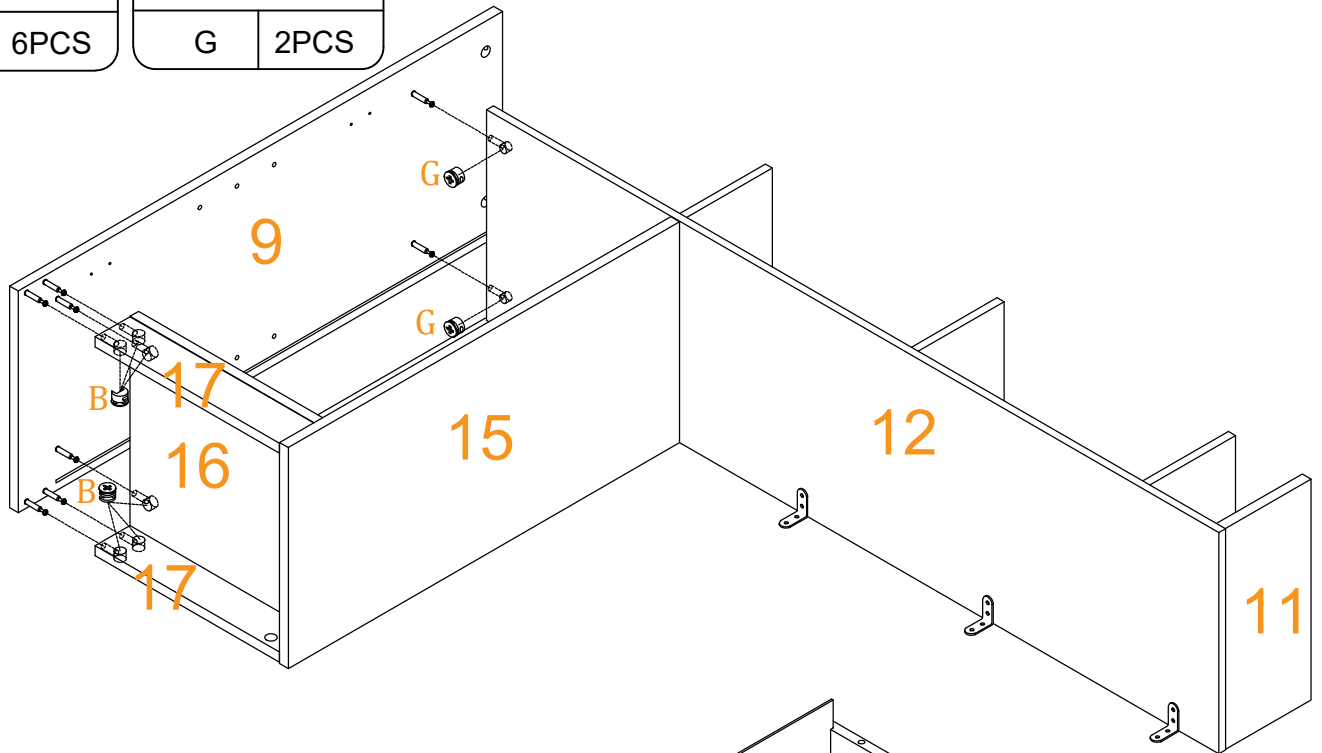
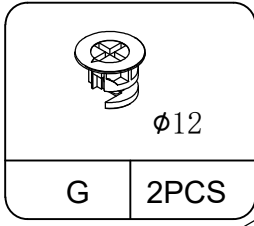
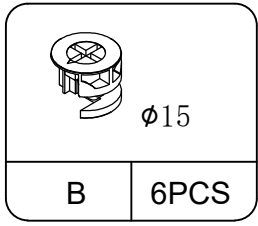
STEP 4



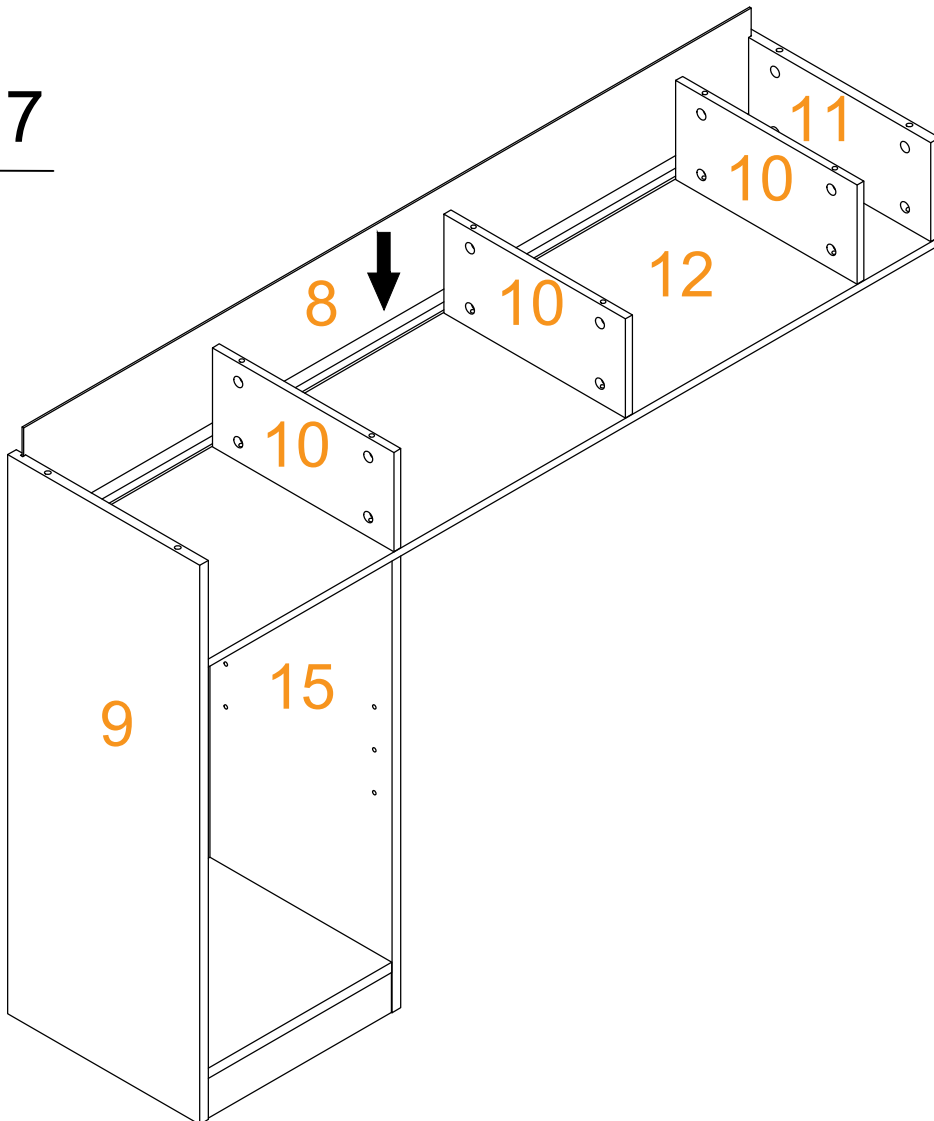
STEP 5



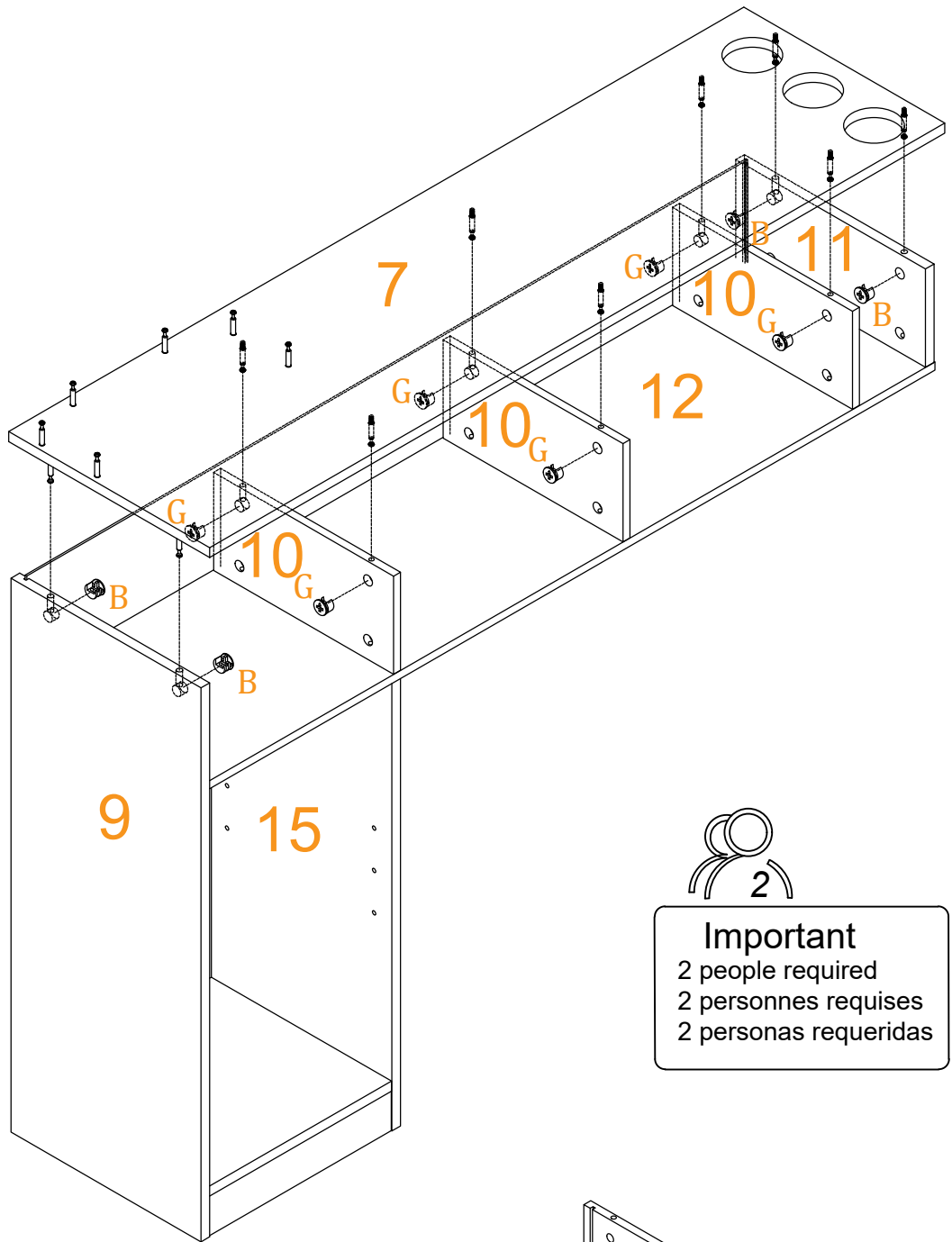
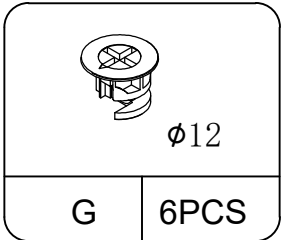
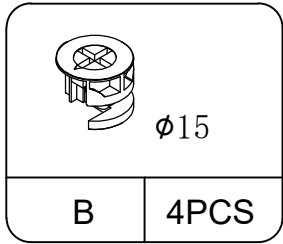
STEP 6



STEP 7

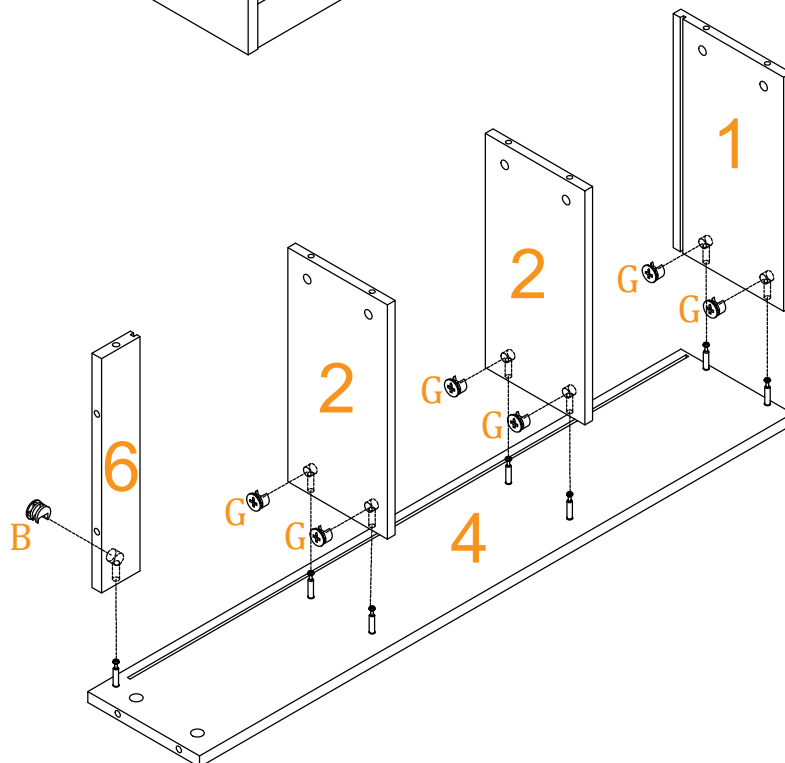
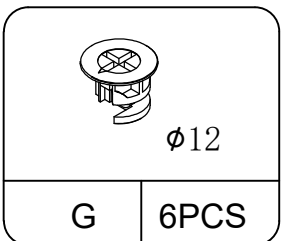
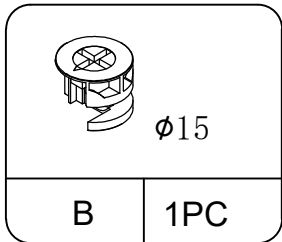


STEP 8

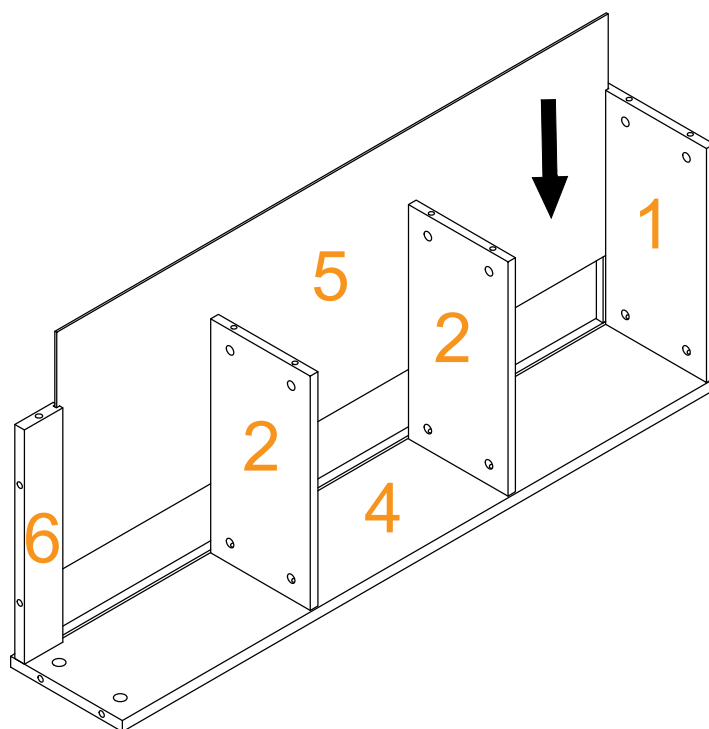


Important
2 people required
2 personnes requises
2 personas requeridas

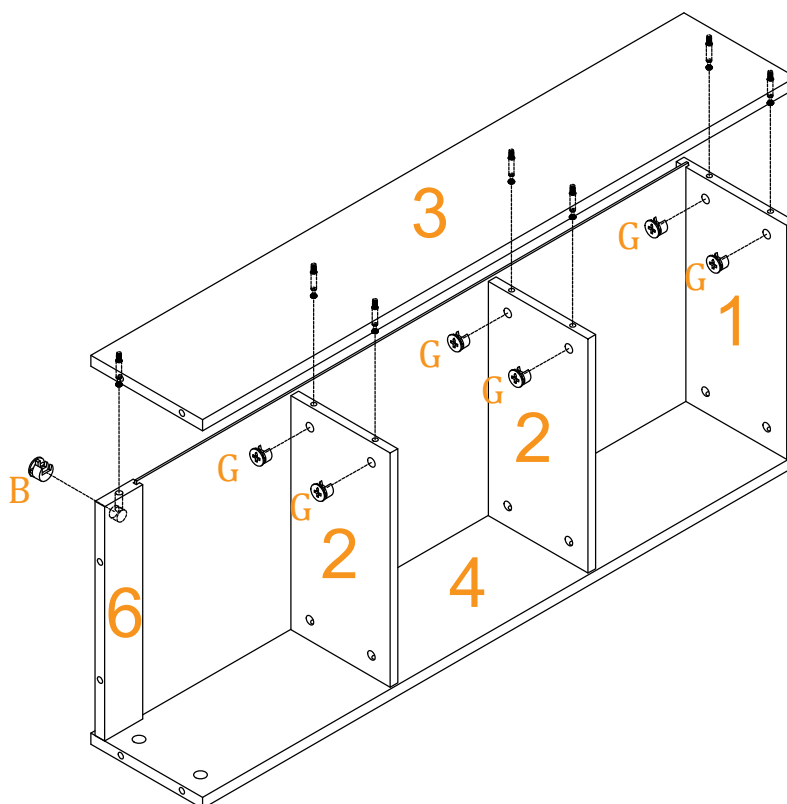
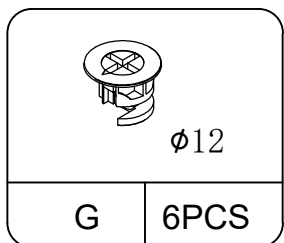
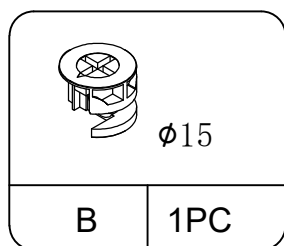
STEP 9



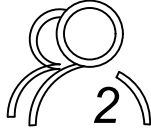
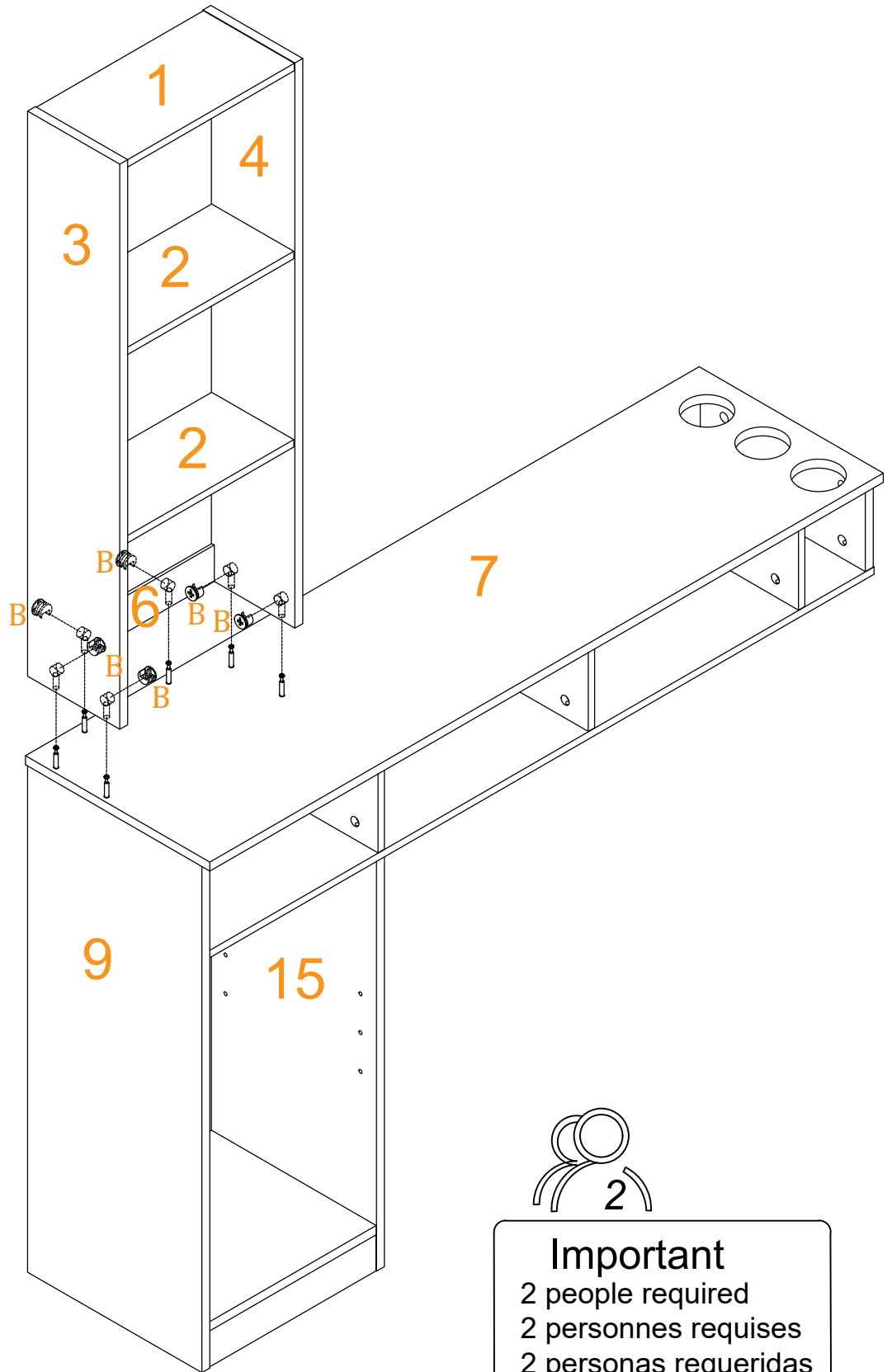
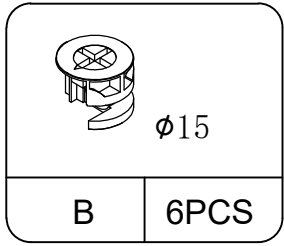
STEP 10



STEP 11




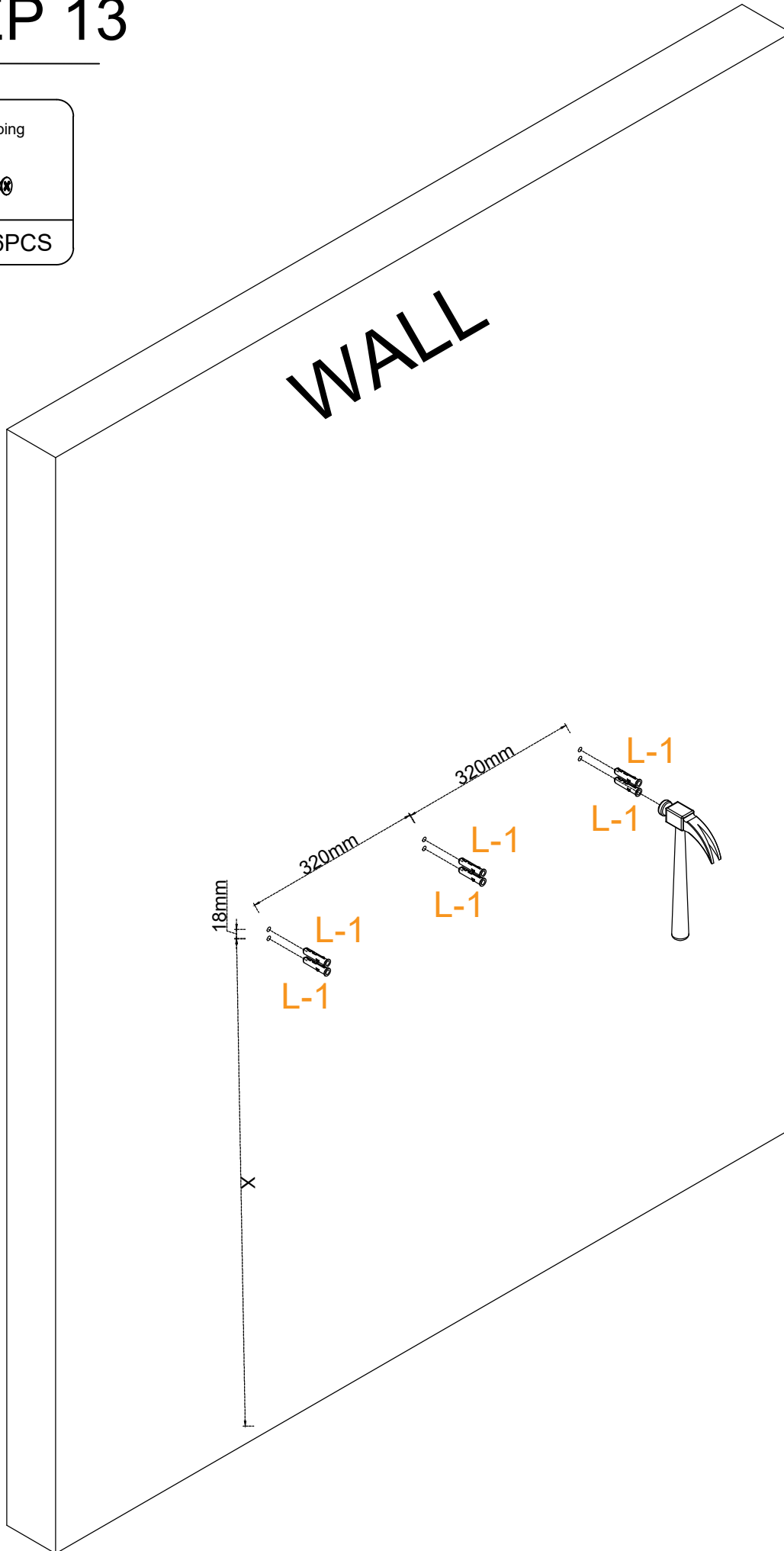
STEP 12



Important
2 people required
2 personnes requises
2 personas requeridas

STEP 13

Self-Tapping Screw L-1	
	
L	6PCS



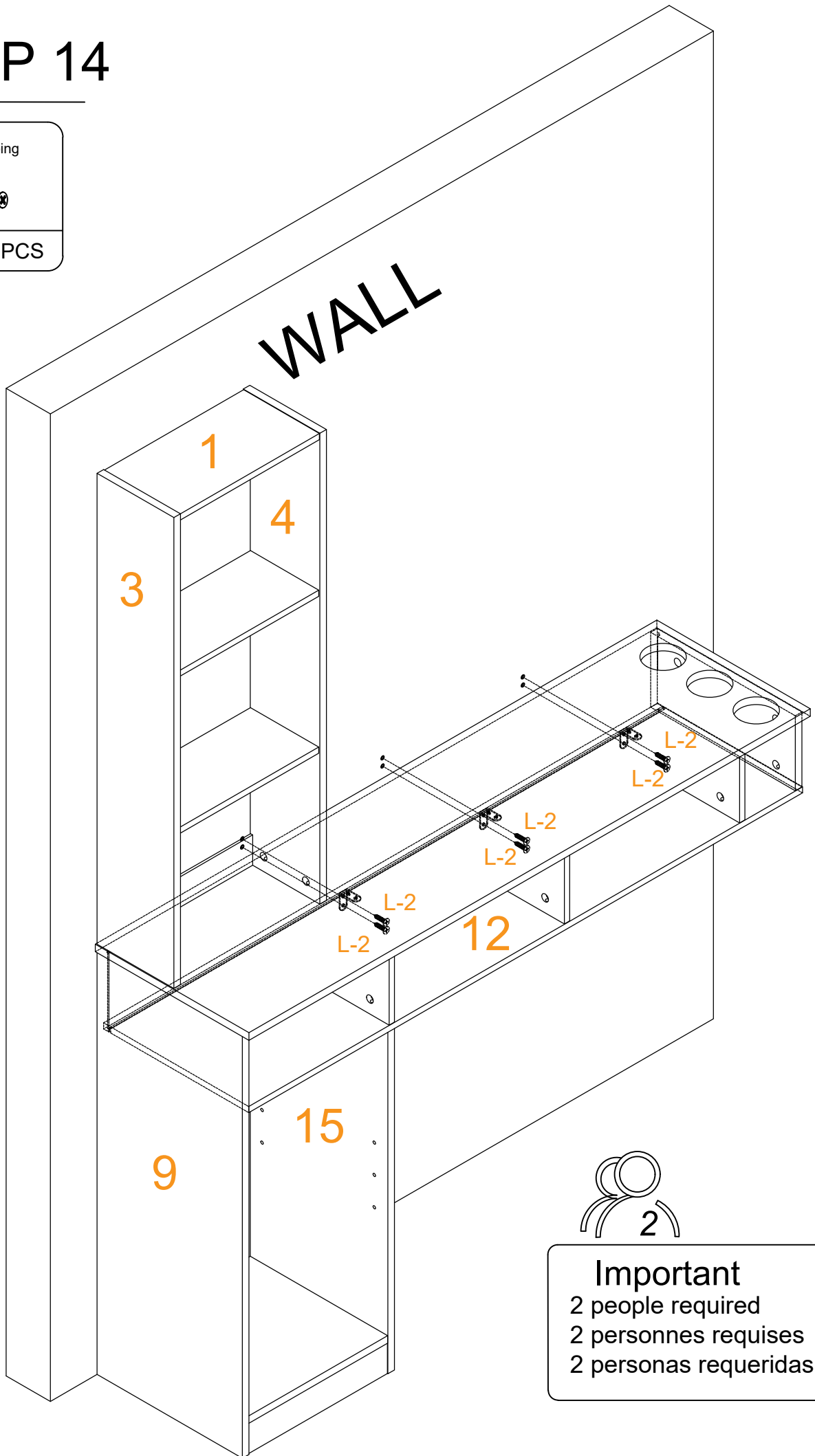
STEP 14

Self-Tapping
Screw
L-2



L

6PCS



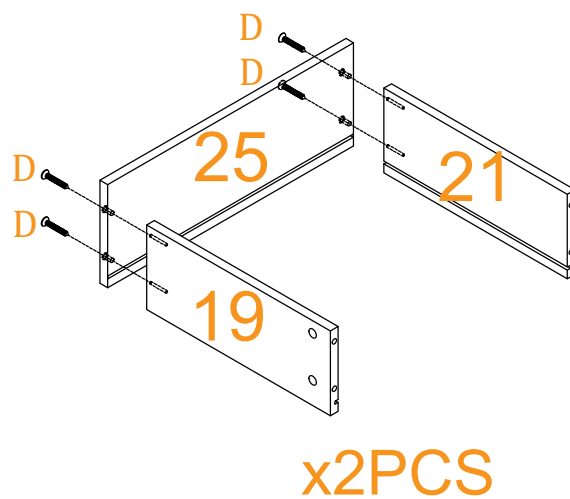
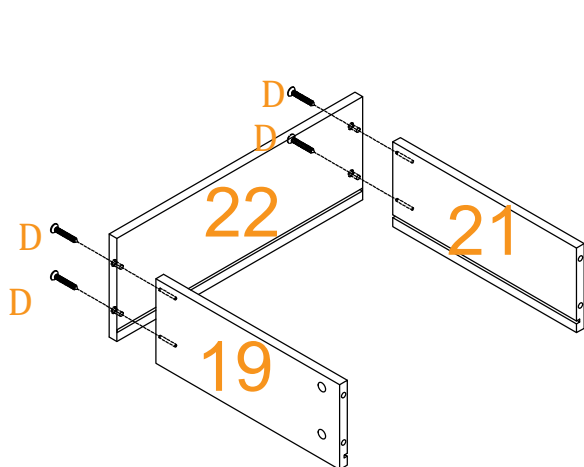
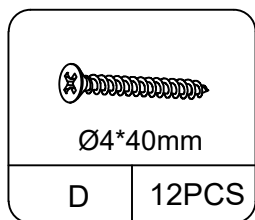
Important

2 people required

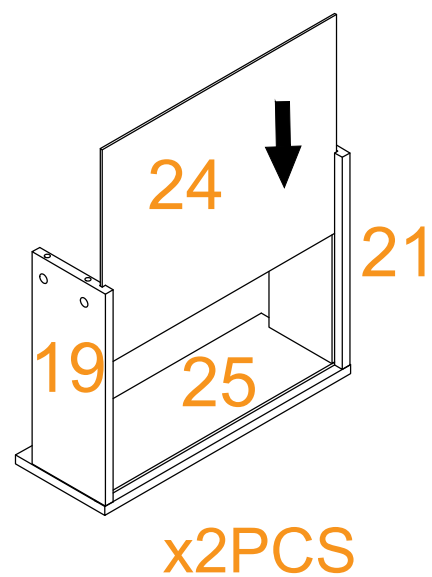
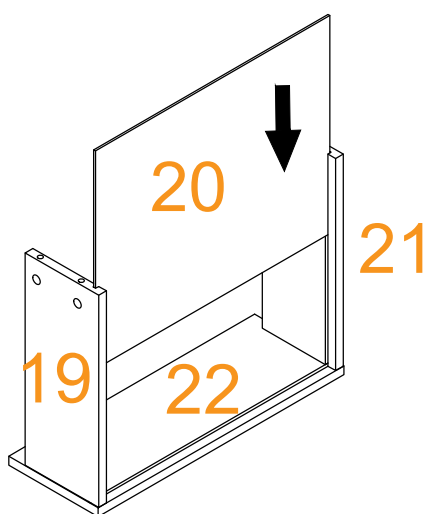
2 personnes requises

2 personas requeridas

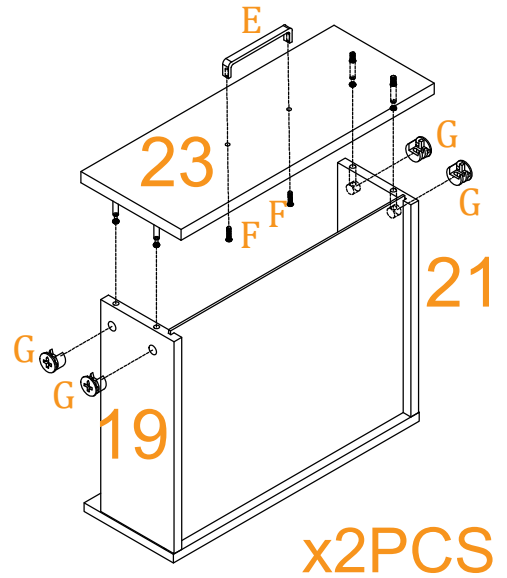
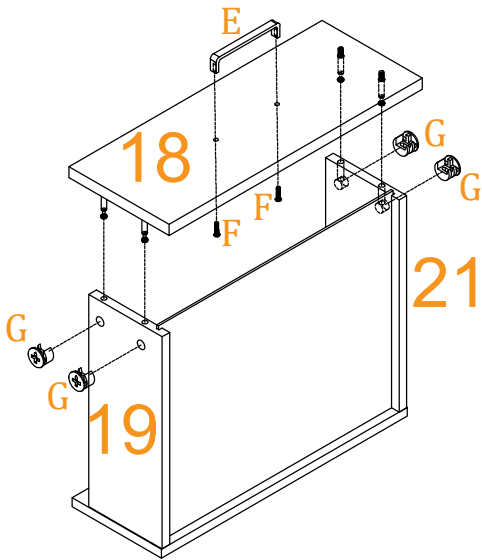
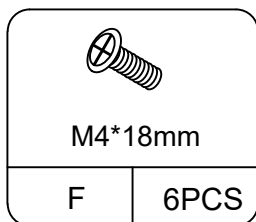
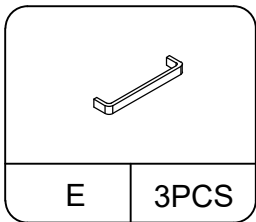
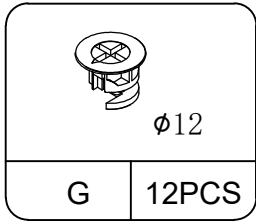
STEP 15



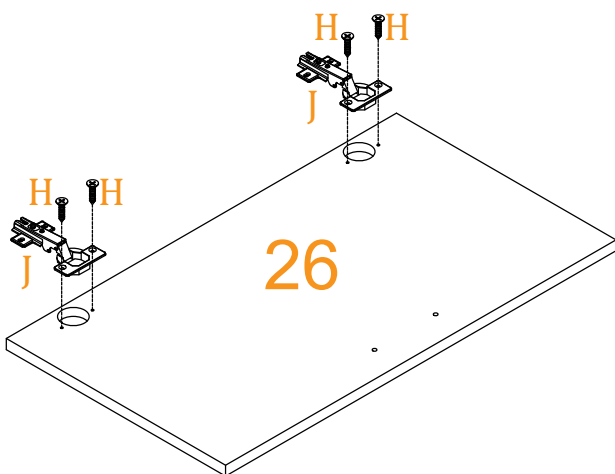
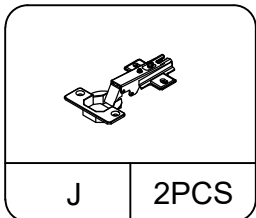
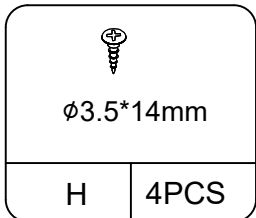
STEP 16



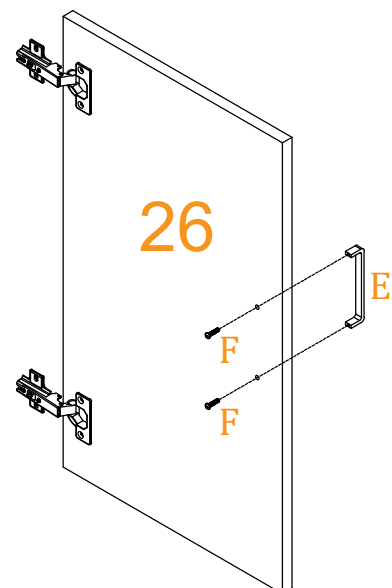
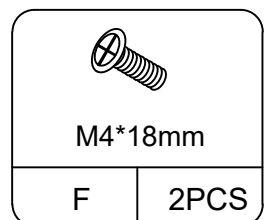
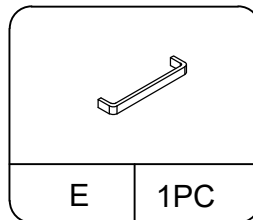
STEP 17



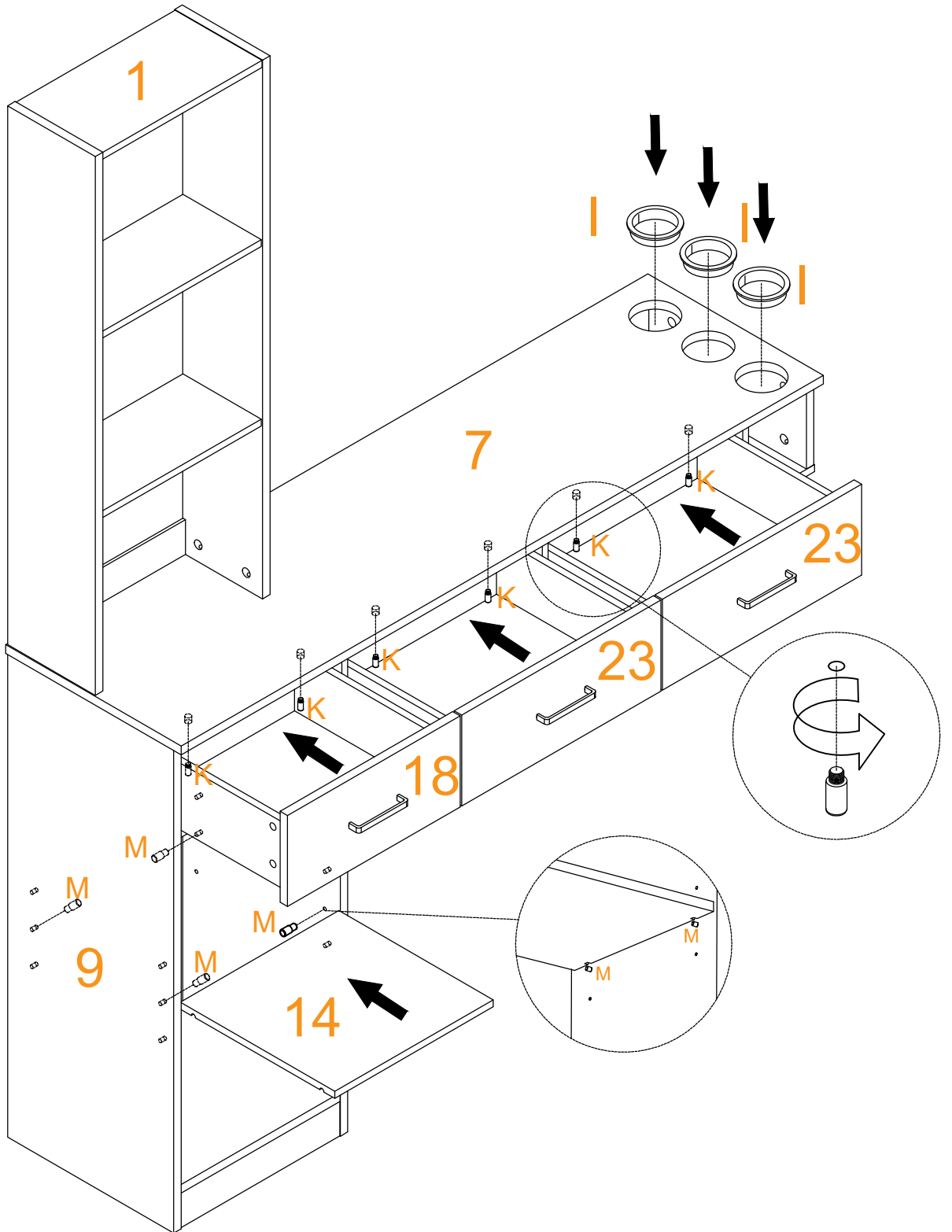
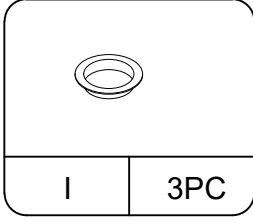
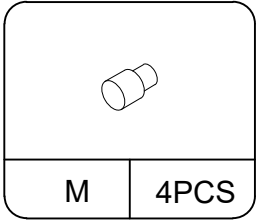
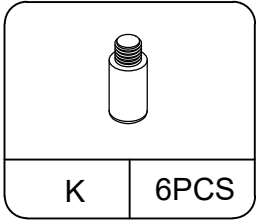
STEP 18



STEP 19



STEP 20



STEP 21



Ø3.5*14mm

H

4PCS

