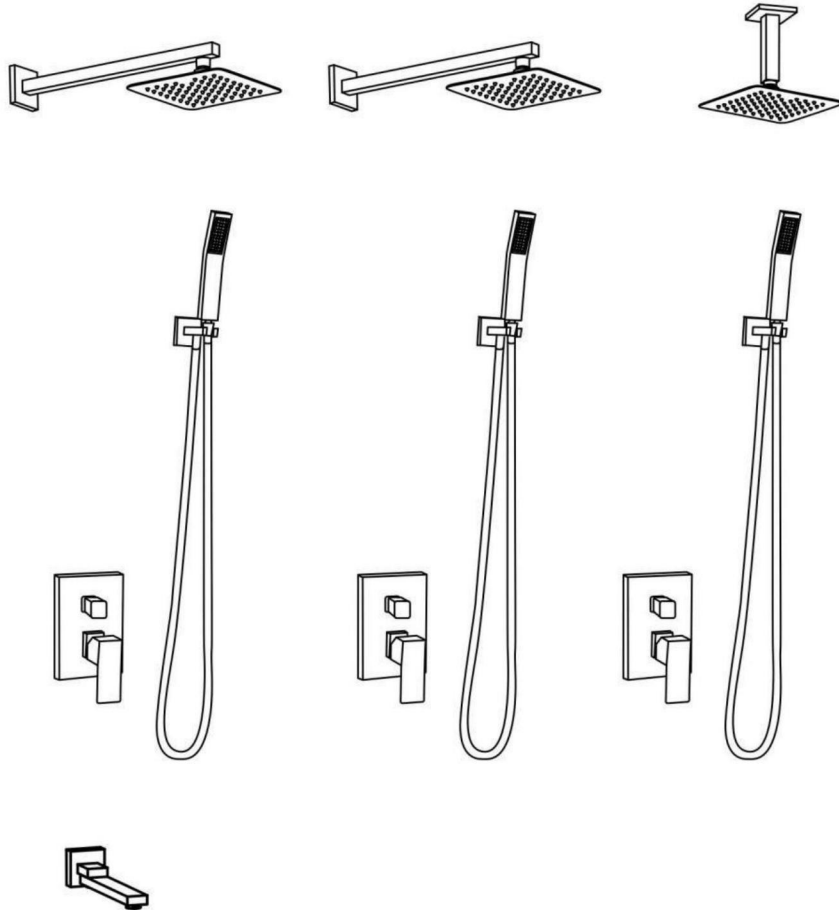


INDEX

Installation Manual



1. UPC Certificate	02-04
2. How to Install A Shower System Faucet	05-18
(For Dual and Three functions)	
3. Warranty	19
4. Product Cleaning and Maintenance	20
5. Guide for Shower System	21

Applicable to Part.No 98102,98103,98105,97202,
97203,97205,Shower System



IAPMO RESEARCH AND TESTING, INC.

5001 E. Philadelphia Street, Ontario, CA 91761 • Phone (909) 472-4100 • Fax (909) 472-4244 • www.iapmort.org



CERTIFICATE OF LISTING



IAPMO Research and Testing, Inc. is a product certification body in which its product certification system includes inspection and testing of samples taken from the supplier's stock or from the market or a combination of both to verify compliance to the requirements of applicable codes and standards. This activity is coupled with periodic surveillance of the supplier's factory and/or warehouses as well as the assessment of the supplier's Quality Assurance System. This listing is subject to the conditions set forth in the characteristics below and is not to be construed as any recommendation, assurance or guarantee by IAPMO Research and Testing, Inc. of the product acceptance by Authorities Having Jurisdiction.

Issued To:

KAIPING ZHUGE SANITARY WARE CO., LTD

AREA A AND AREA B, 2ND FLOOR, 3RD FLOOR, BLOCK 3, NO. 5, CHENGNAN 1ST ROAD, CUIZHAN LAK KAIPING, GUANGDONG, CHIN

Product:

Plumbing Fixture Fittings

Products are in compliance with the following code(s):
Uniform Plumbing Code (UPC®)
National Plumbing Code of Canada

Products are in compliance with the following standard(s):
ASME A112.18.1-2018/CSA B125.1-18

File Number: 13386

Effective Date: December 2021

Void After: December 2026*

Tom Collins
 Chairman, Product Certification Committee



John A. ...
 Chief Technical Service Officer

*This certificate is not evidence of current listing. To verify listing status, visit the IAPMO R&T Product Listing Directory at pld.iapmo.org

This listing period is based upon the last date of the month indicated on the Effective Date and Void After Date shown above. Any change in material, manufacturing process, marking or design without having first obtained the approval of the Product Certification Committee, or any evidence of non-compliance with applicable codes and standards or of inferior workmanship, may be deemed sufficient cause for revocation of this listing. Production of or reference to this form for advertising purposes may be made only by specific written permission of IAPMO Research and Testing, Inc. Any alteration of this certificate could be grounds for revocation of the listing. This document shall be reproduced in its entirety.

IAPMO RESEARCH AND TESTING, INC. CERTIFICATE OF LISTING



Issued To: KAIPING ZHUGE SANITARY WARE CO., LTD Effective Date: December 2021
 File Number: 13386
 Product: Plumbing Fixture Fittings Void After: December 2026

This certificate is not evidence of current listing. To verify listing status, visit the IAPMO R&T Product Listing Directory at pld.iapmo.org

Identification:

Plumbing supply fittings shall be marked with the manufacturer's recognized name, trademark, or other mark or, in the case of private labeling, the name, trademark or other mark of the customer for whom the fitting was manufactured. The marking shall be accomplished by use of a permanent mark or by placing a permanent label on the product. Markings on plumbing supply fittings shall be visible after installation.

Showerheads and hand-held showers shall be marked with the manufacturer's specified maximum flow rate, in L/min and gpm.

Kitchen, lavatory, and metering faucets shall be marked with the manufacturer's specified maximum flow rate, in L/min and gpm or L/cycle and gpc.

Single-handle and single-control bath and shower mixing valves shall have their temperature control settings identified alphabetically, numerically, or graphically.

High-efficiency commercial pre-rinse spray valves shall be marked with the manufacturer's specified maximum flow rate, in L/min (gpm).

Listed products shall bear the cUPC® certification mark.

Packaging for plumbing supply fittings shall be marked with the manufacturer's name, trademark, or other mark as well as the model number or, in the case of private labeling, the name, trademark, or mark of the customer for whom the fitting was manufactured as well as the model number.

Packaging for showerheads and hand-held showers shall be marked with the manufacturer's specified maximum flow rate and either the manufacturer's specified minimum flow rate or the statement "For use with automatic compensating valves rated at xxx L/min (yyy gpm) or less", where xxx L/min (yyy gpm) is the manufacturer's specified minimum flow rate.

Packaging for kitchen, lavatory, and metering faucets shall be marked with the manufacturer's specified maximum flow rate, in L/min and gpm or L/cycle and gpc.

Characteristics:

Fittings may include lavatory, sink, bath & shower, lawn and sediment faucets. Plumbing fixture fittings to be installed in accordance with the manufacturer's instructions and the requirements of the latest edition of the Uniform Plumbing Code and National Plumbing Code of Canada.

Products listed on this certificate have been tested by an IAPMO R&T recognized laboratory. This recognition has been granted based upon the laboratory's compliance to the applicable requirements of ISO/IEC 17025.

IAPMO RESEARCH AND TESTING, INC. CERTIFICATE OF LISTING



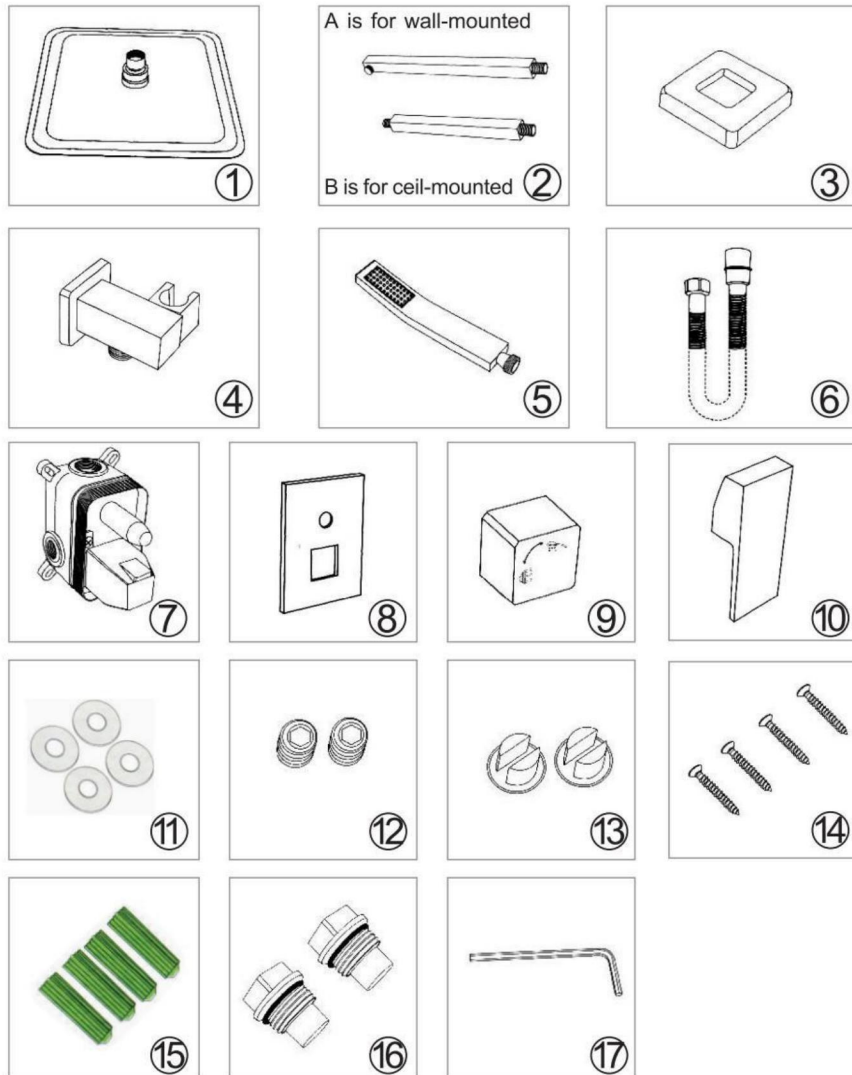
Issued To: KAIPING ZHUGE SANITARY WARE CO., LTD Effective Date: December 2021
 File Number: 13386
 Product: Plumbing Fixture Fittings Void After: December 2026

This certificate is not evidence of current listing. To verify listing status, visit the IAPMO R&T Product Listing Directory at pld.iapmo.org

Models

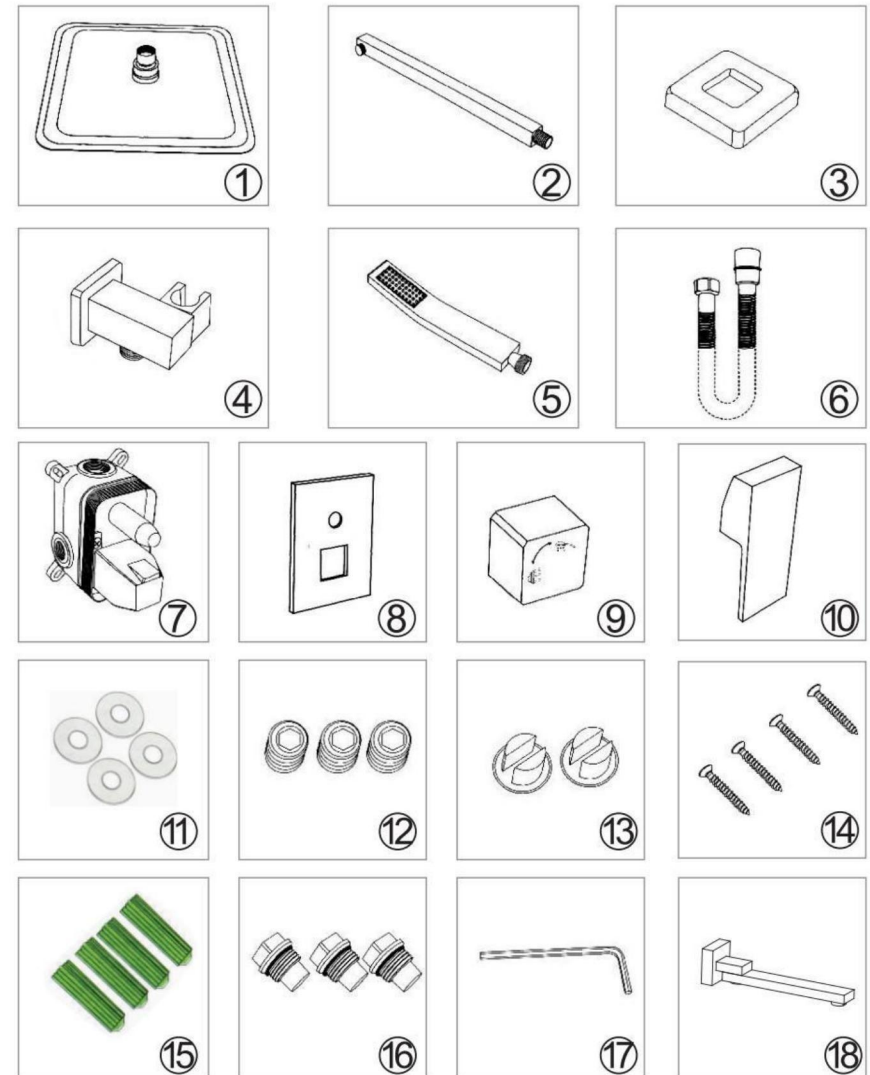
Base Model	Description
*****	Shower set
First *	Different type of Finishes
CP	Chrome
BN	Burshed Nickel
H	Matte Black
ORG	Oil Rubbed Bronze
LSJ	Brushed Golden
QH	Gun Gray
Second *	Different type of Valve Body
T1	
Third *	Different type of Faceplate
M1	
M2	
M3	
Fourth *	Different type of Handle
B1	
B2	
B3	
Fifth *	Different type of the Shower Arm
L1	
L2	
L3	
L4	
Sixth *	Different type of Shower Heads
D1	

Package list of Two Functions shower



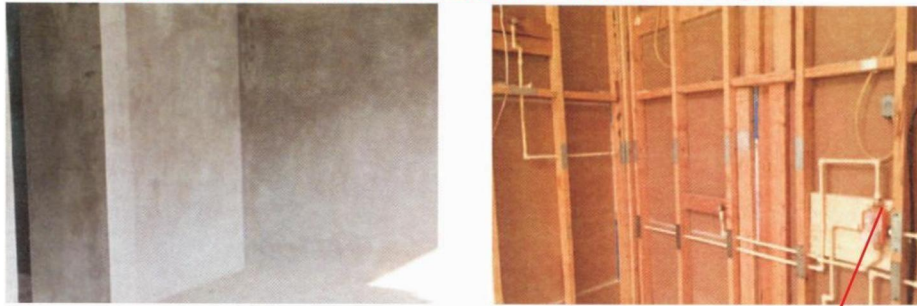
WARNING: Choking hazard. Please keep all small parts and plastic bags out of the reach of children.

Package list of Three Functions shower



WARNING: Choking hazard. Please keep all small parts and plastic bags out of the reach of children.

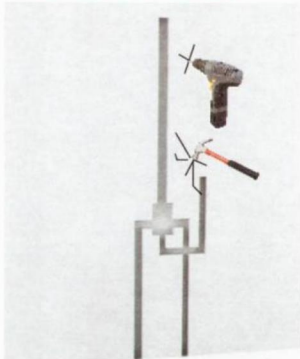
Step 1: Structure the model and water ways
 (The depth is for reference only, please according to the actual thickness of tiles to decide the installation depth)



(Concrete wall)

(Wood wall)

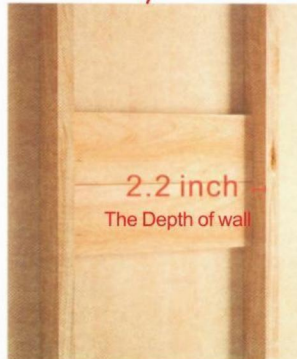
A: Wall Mounted Installation



Design water pipe slot

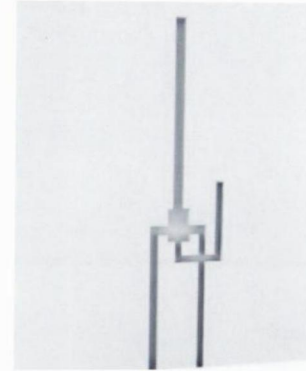
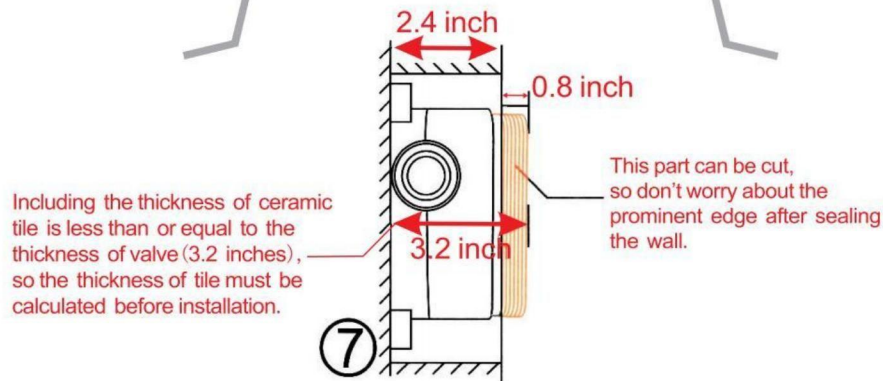


B: Ceiling Mounted Installation



Design water pipe slot

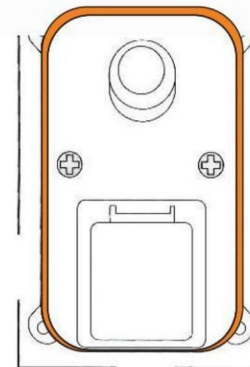
Recommend using copper drop ear pipe elbow (1/2"-14 NPT)

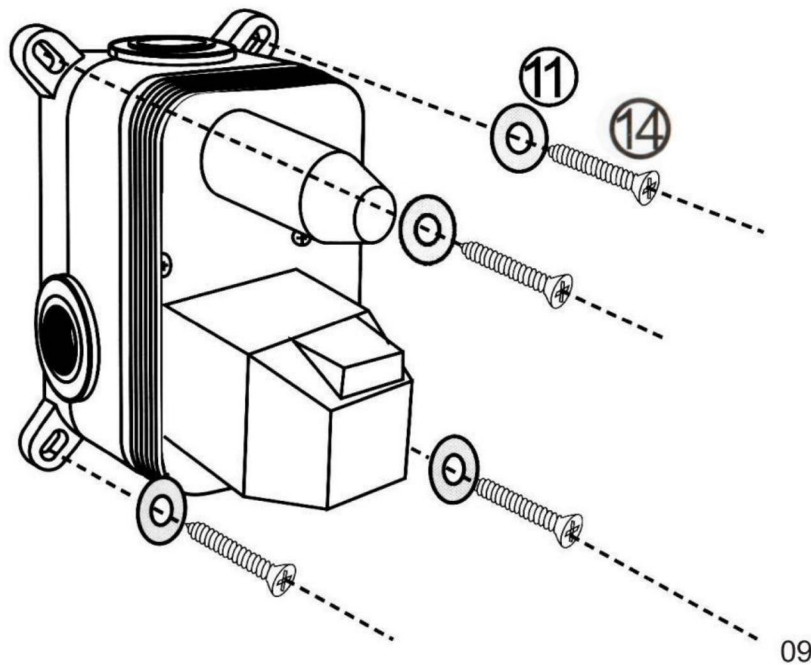
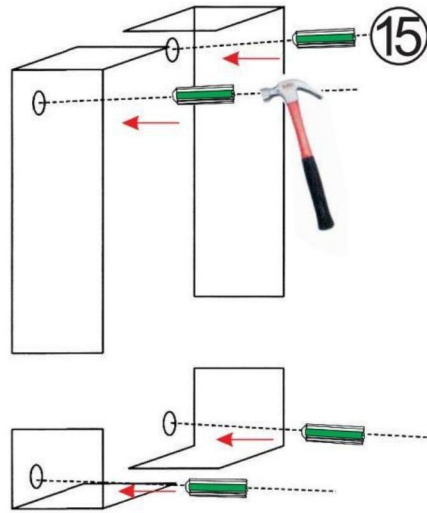
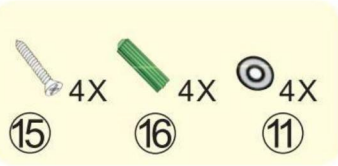


B: Ceiling Mounted Installation

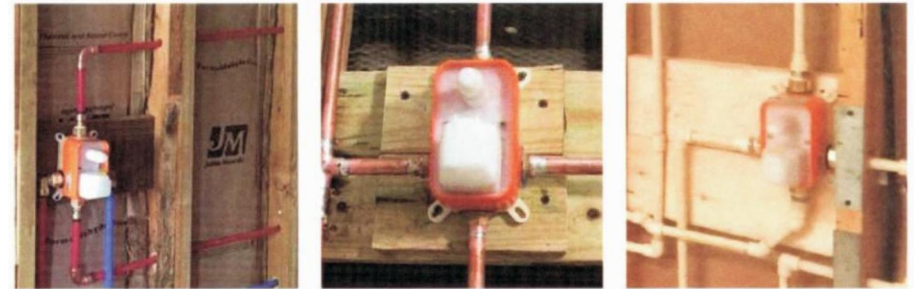


⑦





Step 2. Please clean the pipes of avoid any blockage before connecting to the supply water (Be suitable for Pex pipe, Copper pipe and PVC pipe)



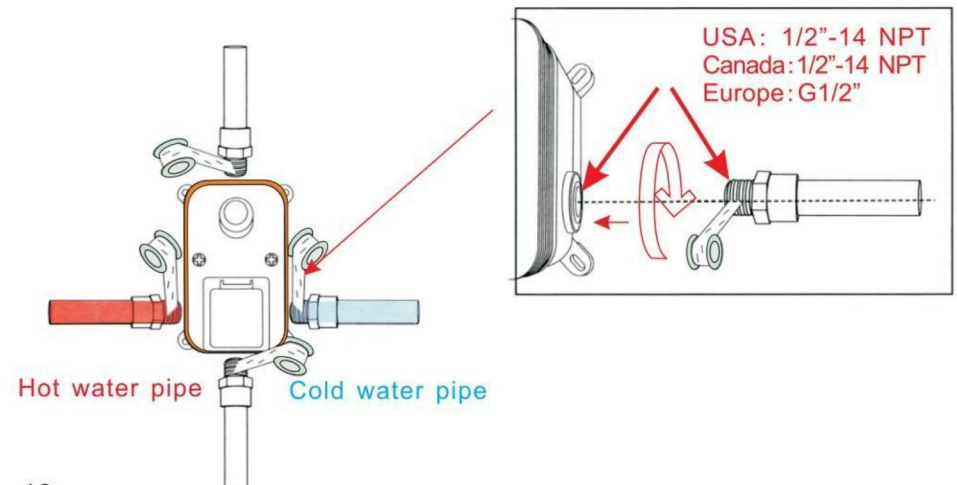
Pex pipe

Copper pipe

Pvc pipe



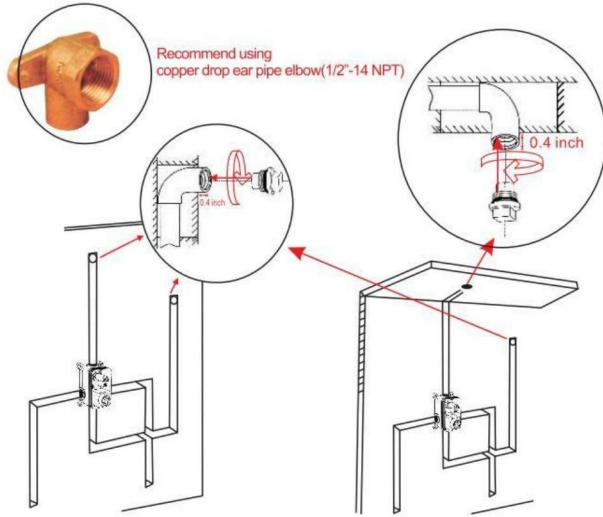
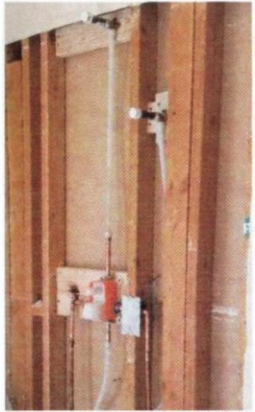
Wrap enough teflon tape



16

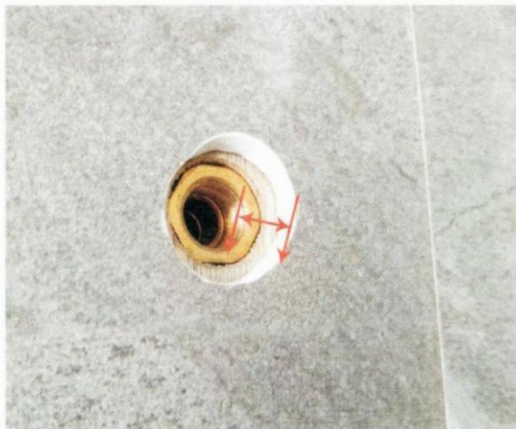


Wall Mounted /Ceiling Mounted Installation Before Tiling



Reserved dimensions of brass fittings to tiles after tiling

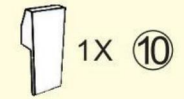
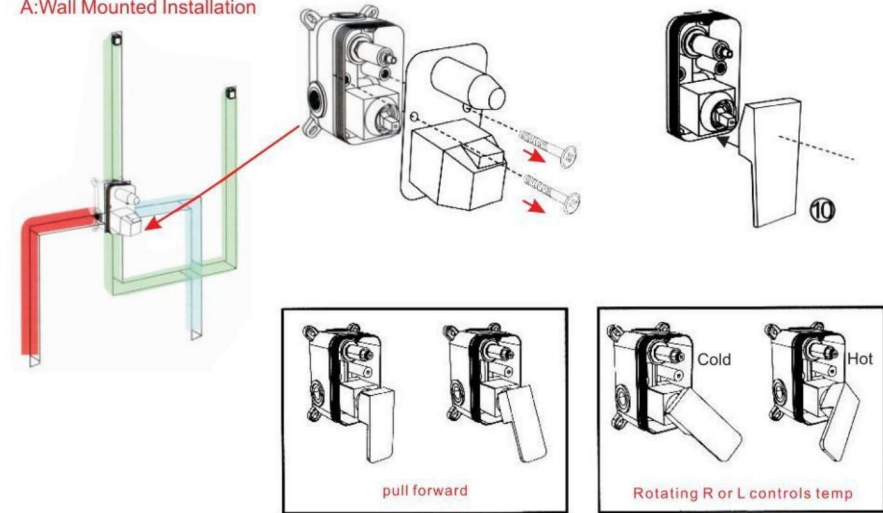
The shower arm is about 0.2 inches.
The shower bracket is about 0.4 inches.



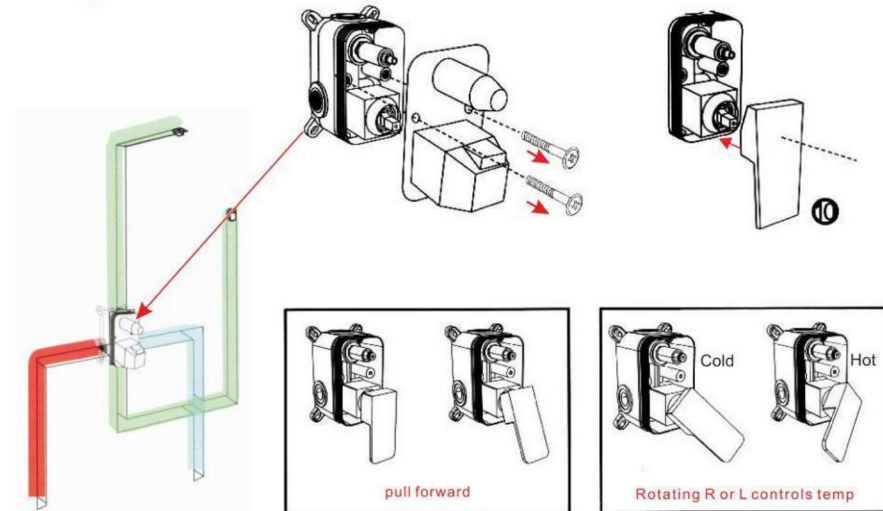
Step 3 : Check for leakage and/or blockage on both hot and cold water supplies.

(Shower valve must be connected with hot and cold water pipe.If only connect one,there is no water comes out)

A:Wall Mounted Installation



B:Ceiling Mounted Installation

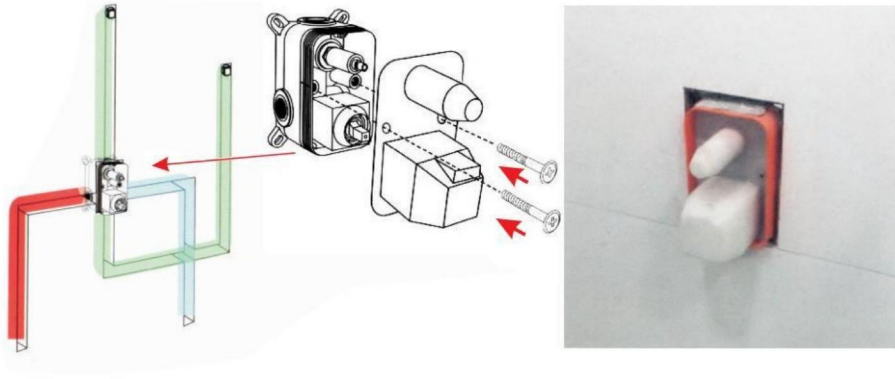


Step 4 : Tiles

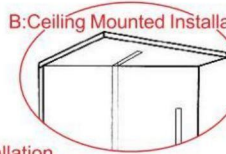
(If you tile too thick, there is no enough space to install plate⑧, konb⑨ and handle⑩)

- ⑫ 2X
- ⑬ 2X
- ⑰ 1X

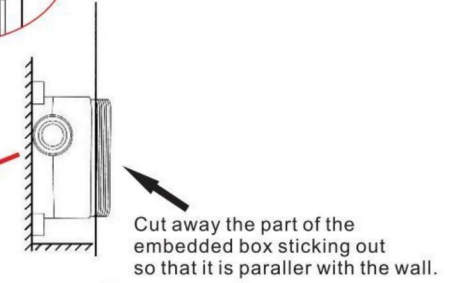
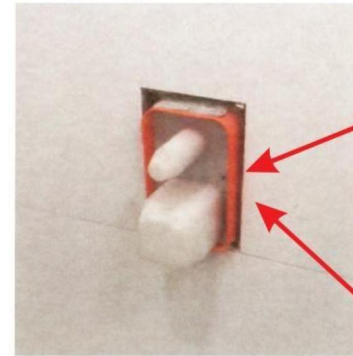
A:Wall Mounted Installation



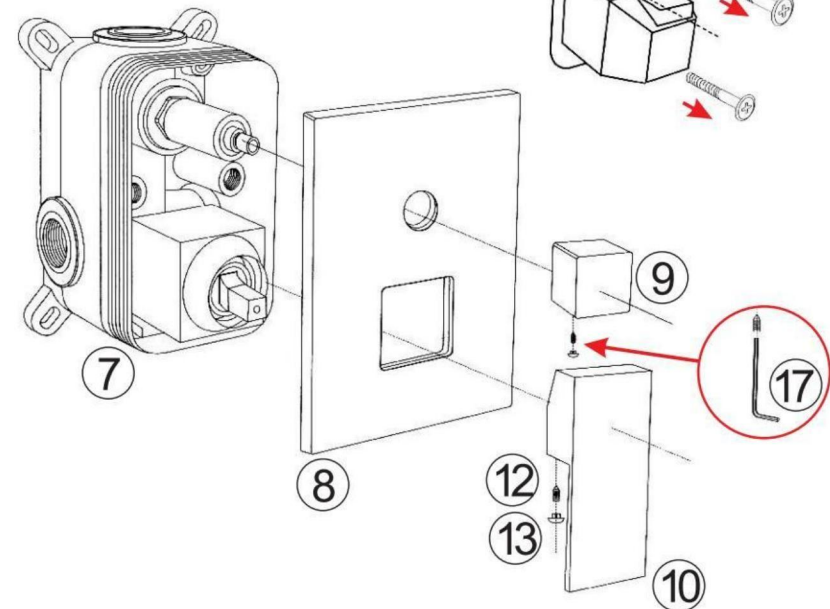
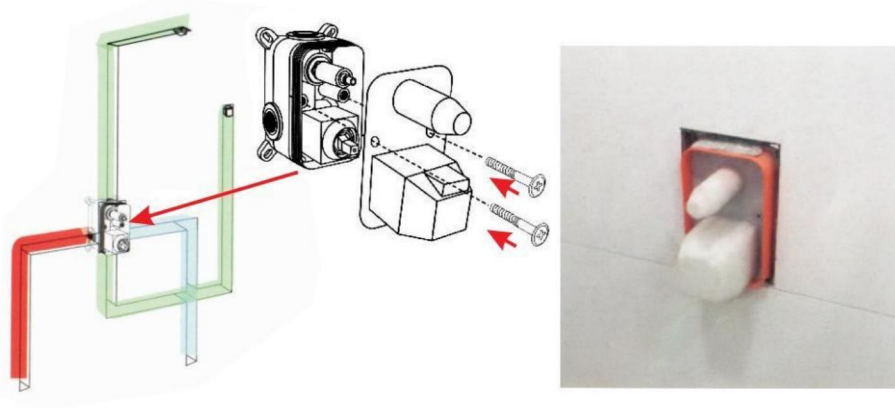
B:Ceiling Mounted Installation



A:Wall Mounted Installation

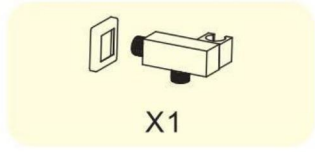
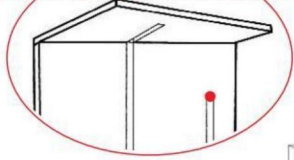


B:Ceiling Mounted Installation

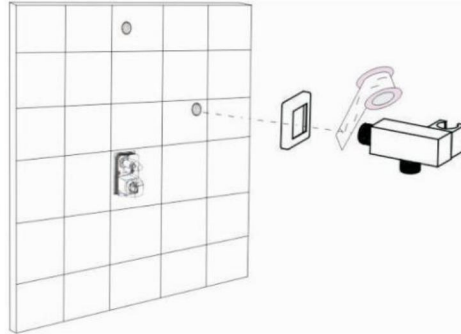


Step 5 :Install Shower bracket

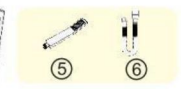
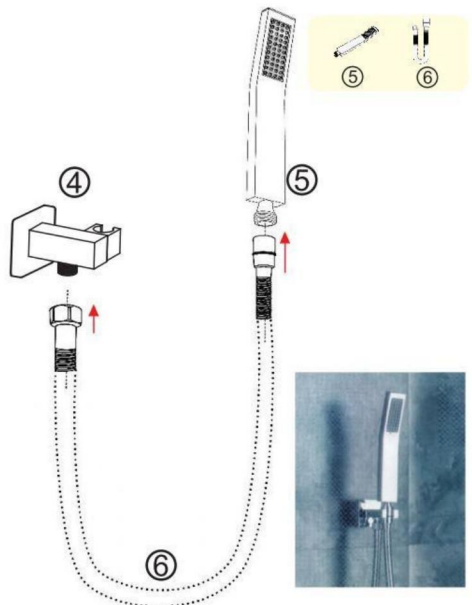
B: Ceiling Mounted Installation



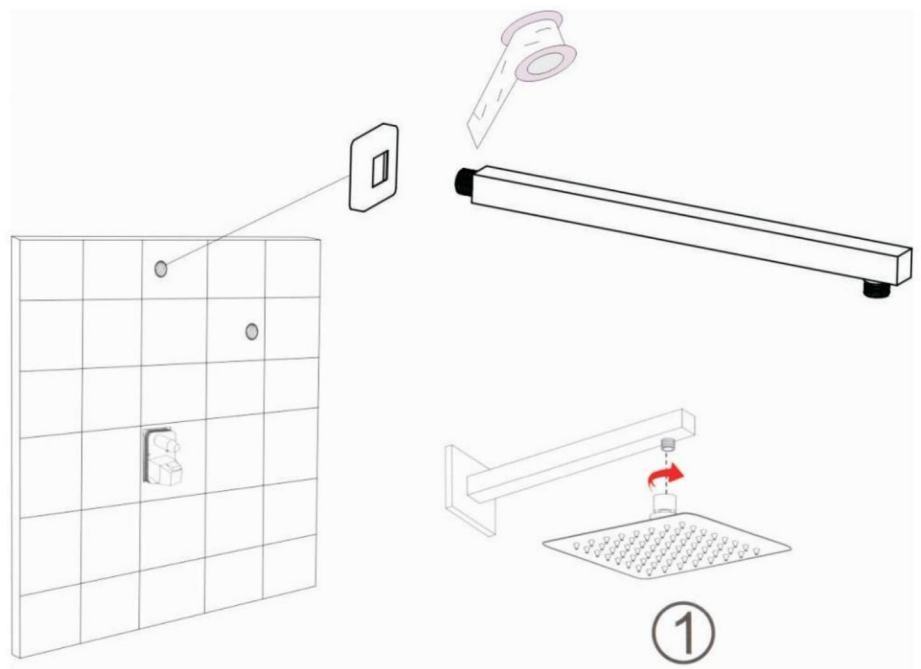
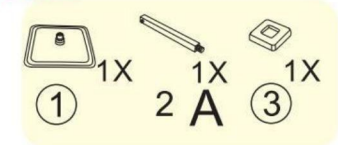
A: Wall Mounted Installation



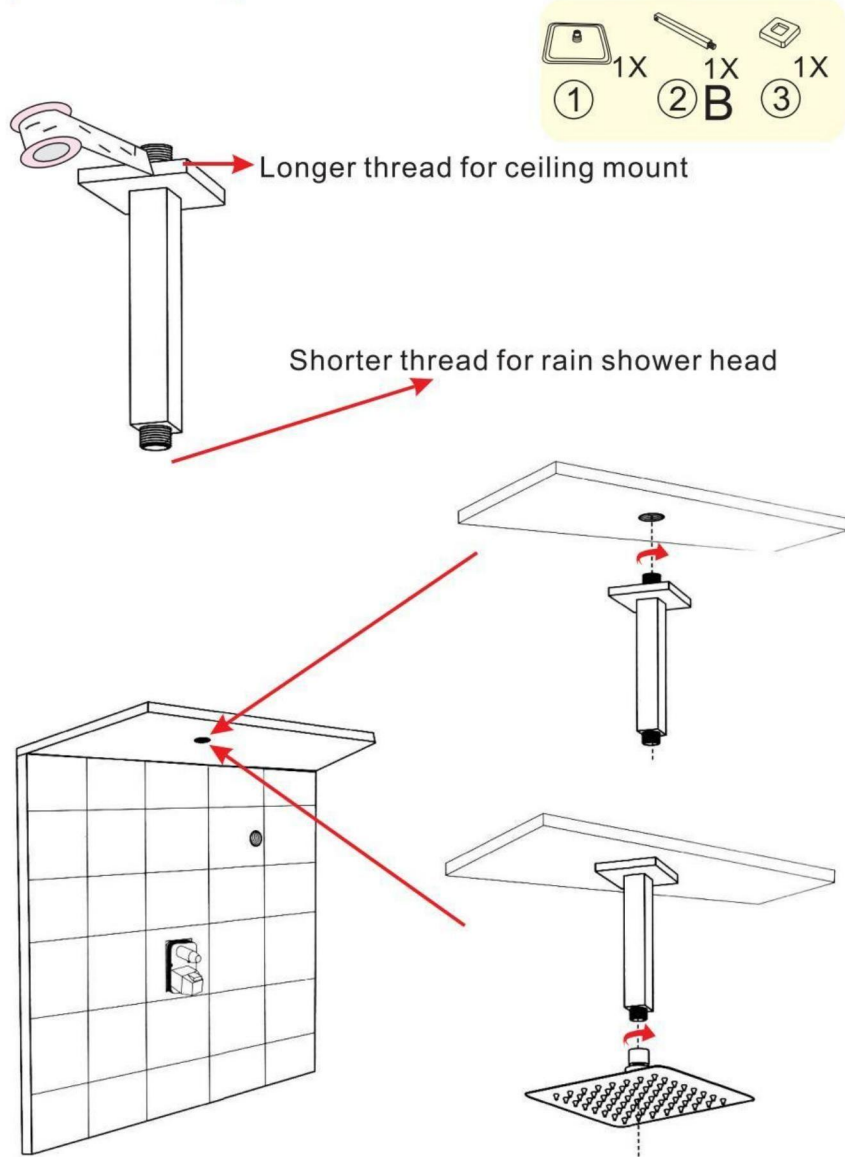
Step 6 :Install hand-held shower and hose



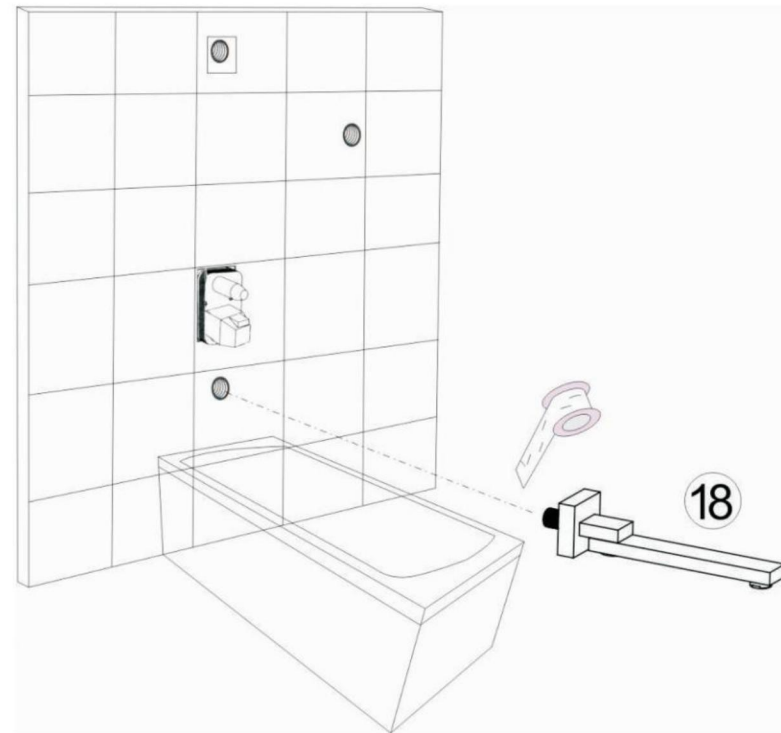
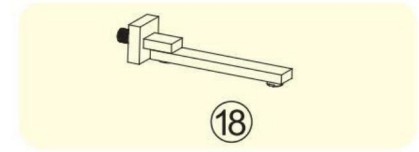
Step 7A :Install Shower Arm and Rain Shower Head



Step 7B :Install Ceiling Shower Arm and Rain Shower Head



Step 8 :Install the tub spout(if have)



Customer Name	
Retailer/Assembly Fitter	
Purchase Date	
Warranty Duration	5 years as of purchase date

1. If the above contents are not complete, the warranty will be considered valid, please confirm the above contents when you purchase.
2. The complimentary repairs are limited to instances mentioned on the warranty card only.
3. Within warranty period, if any technical faults occur, customer should present this warranty card along with the invoice to the retailer/assembly fitter.

Guarantee Repairs Claims

1. Within warranty period, We are responsible for repairing any defective product free of charge.
2. Please contact seller via email with this warranty card and invoice if repairs are needed during the warranty period.
3. Rainlex will not be responsible for any claims listed below:
 - 3.1 The damage and/or malfunction caused by improper use and/or repairs; or any unauthorized reconstruction; including any damage caused by abuse (i.e. fall, throw... etc.)
 - 3.2 Please engage the services of a professional plumber. We will not be responsible for any damage and/or malfunction caused by wrongful installation.
 - 3.3 The damage and/or malfunction caused by removing after installation or other factors.
 - 3.4 The damage and/or malfunction caused by application beyond the scope of usage.
 - 3.5 The damage and/or malfunction caused by sand, dirt and other impurities.
 - 3.6 The damage and/or malfunction caused by improper/insufficient maintenance; rust on finishing etc...
 - 3.7 The damage and/or malfunction caused by fire, earthquakes, flood, lightning and other natural disasters, pollution, harmful gas, salts, abnormal voltage and other factors.
 - 3.8 On occasions when the warranty card or invoice is not presented.
4. The recommended water temperature of hand shower and rain shower is $\leq 42^{\circ}\text{C}$; water pressure 0.1-0.3 Mpa. The highest temperature should not reach beyond 70°C and water pressure should not exceed the limits of 0.05-0.5 Mpa. Please keep any shower products away from the heating devices to avoid potential risks.
5. This limited warranty applies only to the original end-user or business. It expressly excludes labor charges, removal charges, installation, or other incidental or consequential costs. Any inappropriate application will void the warranty.
6. This warranty cannot be replaced if missed, please keep safe.

Clean and maintain product

How to clean shower head nozzles

1. Just rub the nozzles with your finger or a toothbrush to loosen any deposits, and then run hot water for a few minutes.
2. Put the showerhead into a pot. Consider using a smaller container that just about fits the showerhead; this way, you will use less vinegar. You can also use a small bucket or plastic bin.

Fill the pot with enough white vinegar to cover the showerhead. The acids in the vinegar will help dissolve the white mineral deposits on the showerhead. Let the showerhead soak in the vinegar for 30 minutes. The more soiled the showerhead is, the longer you will have to leave it in the vinegar.

Maintain Chrome and Brushed nickel finished product

1. To clean the products all you need is a high quality microfiber cloth.
2. Apply a high quality chrome cleaner to a clean cotton cloth, and wipe over the chrome. Leave as per product instructions, and then rinse with warm water. Gently remove any product residue using a dry chamois or paper towel.

3. How to Clean Chrome: Homemade Solutions

In addition to professional products, homespun solutions also have their place when breathing new life into dull chrome. Try this shortcut to achieving chrome cleaning nirvana:

Detergent and warm water! Submerge chrome-plated objects including pots and pans in a sink full of warm water. Add a half-cup of a high quality washing up detergent (Persil washing up liquid is good) and rub gently with a soft cotton cloth to avoid scratching the chrome. Use a scented detergent to leave kitchenware smelling fresh, as well as spotless.

Guide for Shower System

SYMPTOM

1. No flow or low flow

- (1) The water pressure in the water supply system is too low - increase the water supply pressure, or install a booster pump
- (2) Inlet pipes, outlet pipes, or other pipes are blocked, resulting in low water flow - please flush the pipes or contact the plumber for disposal (please follow the installation steps above to clean the pipes in advance).
- (3) Shower head, hose, thermostatic valve inlet/outlet blockage, resulting in low water flow - regular cleaning to prevent impurities from clogging
- (4) The filter inlet is partially blocked. - Clean or repaint and flush the tubing before reinstalling.
- (5) Correctly use the handle to adjust the water temperature, the water is too cold or too hot - check the water pressure of the water supply system, increase the water flow or pressure through the booster pump, if the water heater fails, you need to contact the water heater manufacturer to solve.
- (7) The distance of the water jet is too short - Please increase the water pressure (check and adjust the water pressure in the water supply system, or install a booster pump), or pick up the hand shower.
- (8) No hot or cold water reaches the shower valve. - Check the cold water and hot water inlet pipes (if the hot or cold supply fails, the valve will close).
- (9) Incorrect installation, resulting in improper inlet pressure - please refer to the Installation Manual to ensure that the inlet pressure maintained is normal/balanced and sufficient.

2. Water temperature change

The water temperature suddenly becomes high or low during the shower. - A large amount of cold water or hot water is taken from other places, causing the water pressure to change. Do not use other water outlets during the shower or check if the water heater is working properly;

3. Shower head dripping

- (1) The dripping water is normal if in short time. Please try to change the angle of the shower head which may solve this problem.
- (2) If it is a long period of dripping, that may be the shower control valve has not been completely closed. - Remove the shower control valve assembly and check if the shower valve is blocked.
- (3) The flow control valve seal is damaged. - Check the status of the flow control valve and replace as needed.

Importance

Please read the following instructions carefully before installing the shower system.
If you have questions after receiving the goods, please send us an email on Amazon.

To ensure the installation process is safe and fast, it's better to hire an experienced plumber to complete the installation.

Maintenance Guide

Please follow the cleaning material manufacturer's instructions. In addition, pay attention to the following points:

1. Regular cleaning can prevent mineral build up on shower head and hand held shower.
2. Use a mild detergent such as liquid dishwashing soap and warm water for cleaning.
3. Do not use abrasive/harsh chemical when cleaning the fixture as they will damage and dull the finish.
3. Carefully read the cleaner product label to ensure the cleaner is safe for use on the material.
4. Test the cleaner on a small area before using on the entire surface.
5. Do not leave the cleaner on the fixture longer than necessary.
6. When using spray cleaners, spray first onto a soft cloth or sponge. Never spray directly onto the faucet as droplets can enter openings and gaps and cause damage.

To ensure the installation process is safe and fast, it's better to hire an experienced plumber to complete the installation.

Thank you for choose us.

During your installation ,Pls feel free to send us email if you have any question.

We will assist you without any charge.