

# **RETRACTABLE SIDE AWNING**

# WARNING

- When mounting the awning, keep the cassette part and stand column on the horizon, or the fabric will deform and become difficult to open and close.
- We recommend that two or more people are required to lift the awning into place.

# COMPONENTS



A: (x1)



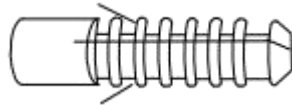
B: (x1)



C: (x2)



D: (x4)  
M8\*60mm



E: (x4)

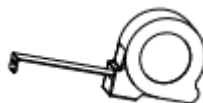


F: (x4)  
ST5\*30mm



G: (x1)

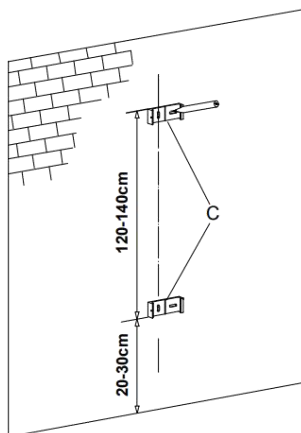
## TOOLS RECOMMENDED



# INSTALLATION

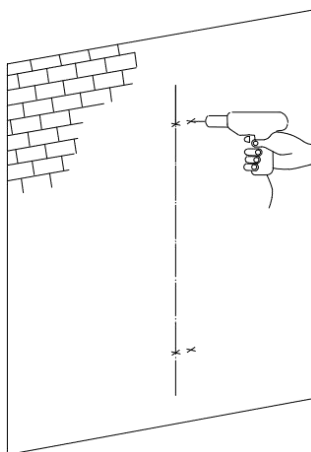
## Step 1

Mark the height of the awning on the wall.



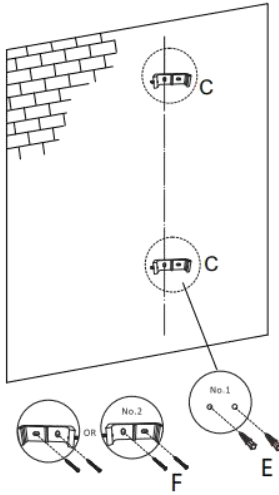
## Step 2

Drill holes.



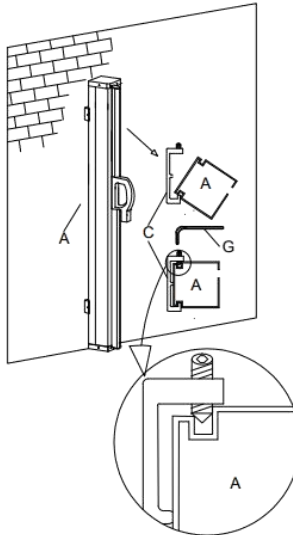
### Step 3

Fix C with E and F.



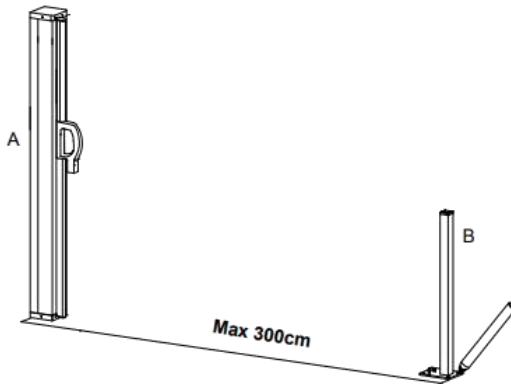
### Step 4

Attach A to C using G as shown in the picture.



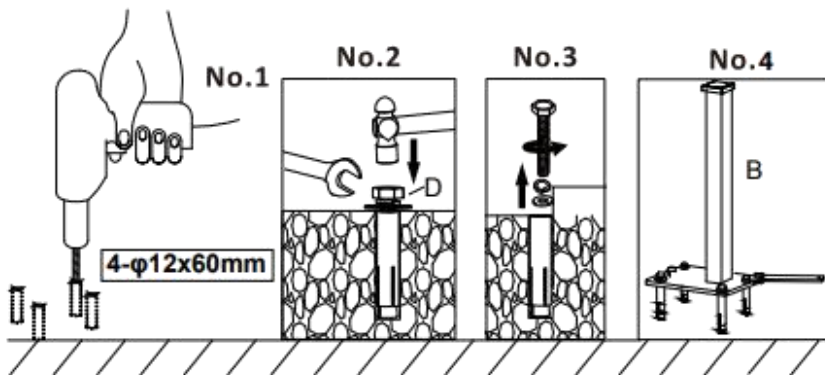
## Step 5

The maximum expanded size of the awning is 300cm, which can mark the position of B.



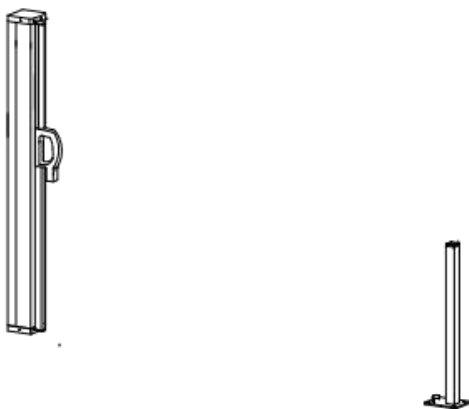
## Step 6

- 1) Use a drill, drill 4 holes into the marked place, corresponding to the holes in B.
- 2) Insert D into the holes with a wrench and a hammer.
- 3) Turn out the screws and gaskets in D by counterclockwise as shown.
- 4) Attach B to D with screws and washers of D with a spanner as shown in the picture.



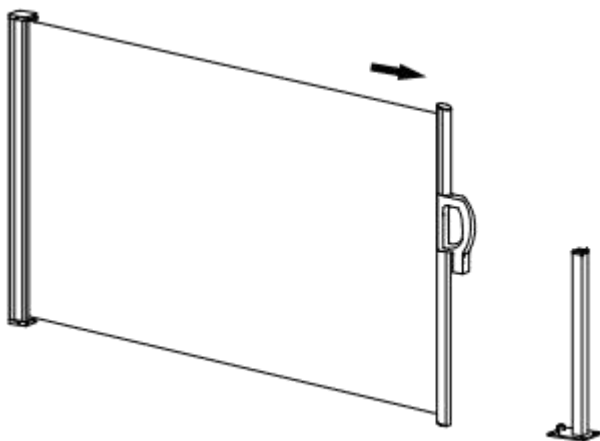
### Step 7

Retractable side awning has been installed.



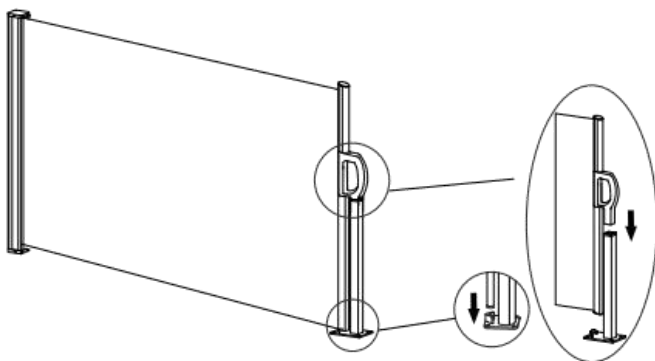
### Step 8

Hold the handle of A and pull it over the B.



## Step 9

Attach the handle of A to B, attach the bottom part of A to B as shown.



# CLEANING & CARE

- Awnings should be cleaned at least once a year.
- Cleaning consist of brushing off debris with broom, brushing on a non-detergent cleaning compound (such as 1/2 vinegar, 1/2 water), letting it sit for 20 minutes and rinsing.
- Remember that your awning is an exterior product, you must clean your awning to preserve and extend its beauty and life.
- Do not use any cleaners with chemicals, solvents, or harsh abrasives.