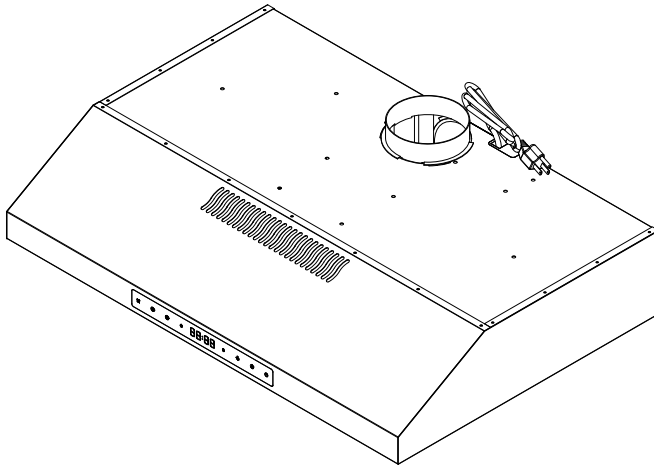


Professional Under Cabinet Range Hood

VENFAN RANGE HOOD

Installation Guide & Users Manual



Model Name: VFUA03

Available Sizes: 30" 36"

NOTICE:

For residential use only.

Installer: Leave this guide with the homeowner.

Homeowner: Keep this guide for future reference.

E-mail address: service@venfan.com



THANK YOU FOR YOUR PURCHASE

Thank you for your purchase. We know that you have many brands and products to choose from and we are honored to know that you have decided to take one of our products into your home and hope that you enjoy it.

We follow the most advanced manufacturing philosophy. Each appliance leaves the factory after thorough quality inspection and testing. We are ready to answer any questions you may have regarding how to install, use and care for your products. We hope that this manual will help you learn to use the product in the safest and most effective manner.

If you have any questions or concerns, please contact our Customer Support at: ***service@venfan.com***

TABLE OF CONTENTS

IMPORTANT SAFETY INSTRUCTIONS	4
ALUMINUM FILTERS	5
PARTS DIAGRAM	6
INSTALLATION REQUIREMENTS	7
PRE-INSTALLATION PROCEDURES	8
INSTALLATION INSTRUCTIONS	9-10
PREPARING THE VENT HOOD: AIR RECIRCULATION MODE	11
PREPARING THE VENT HOOD: AIR EXTRACTION MODE	12
OPERATING INSTRUCTIONS	13
WIRING DIAGRAM	14
MAINTENANCE	15
TROUBLESHOOTING	16
MEASUREMENTS & DIAGRAMS	17
WARRANTY & SERVICE	18

IMPORTANT SAFETY INSTRUCTIONS

Read all instructions before using this appliance.

Save these instructions for future references

Approved for residential appliances

For residential use only

IMPORTANT SAFETY INSTRUCTIONS

CAUTION

FOR GENERAL VENTILATING USE ONLY. DO NOT USE TO EXHAUST HAZARDOUS OR EXPLOSIVE MATERIALS OR VAPORS.

CAUTION

To reduce risk of fire and to properly exhaust air, do not vent exhaust air into spaces within walls, ceilings, attics, crawl spaces, or garages.

WARNING

TO REDUCE THE RISK OF FIRE, USE ONLY METAL DUCT WORK. Install this hood in accordance with all requirements specified.

WARNING

TO REDUCE THE RISK OF FIRE, ELECTRIC SHOCK, OR INJURY TO PERSONS, OBSERVE THE FOLLOWING:

- A. Use this unit only in the manner intended by the manufacturer. If you have questions, contact the manufacturer
- B. Before servicing or cleaning the unit, switch power off at service panel and lock service panel disconnecting means to prevent power from being switched on accidentally. When the service disconnecting means cannot be locked, securely fasten a prominent warning device, such as a tag, to the service panel.
- C. Installation Work and Electrical Wiring Must Be Done By Qualified Person(s) In Accordance With all Applicable Codes & Standards, Including Fire-rated Construction.
- D. Sufficient air is needed for proper combustion and exhausting of gases through the flue (Chimney) of fuel burning equipment to prevent back-drafting. Follow the heating equipment manufacturers guideline and safety standards such as those published by the National Fire Protection Association (NFPA), the American Society for Heating, Refrigeration and Air Conditioning Engineers (ASHRAE), and the local code authorities.
- E. When cutting or drilling into wall or ceiling, do not damage electrical wiring and other hidden utilities.
- F. Ducted systems must always be vented to the outdoors.

WARNING

GROUNDING INSTRUCTIONS

This appliance must be grounded. In the event of an electrical short circuit, grounding reduces the risk of electric shock by providing an escape wire for the electric current. This appliance is equipped with a cord having a grounding wire with a grounding plug. The plug must be plugged into an outlet that is properly installed and grounded.

WARNING - IMPROPER GROUNDING CAN RESULT IN A RISK OF ELECTRIC SHOCK.

Consult a qualified electrician if the grounding instructions are not completely understood, or if doubt exists as to whether the appliance is properly grounded. Do not use an extension cord. If the power supply cord is too short, have a qualified electrician install an outlet near the appliance.

WARNING

TO REDUCE THE RISK OF INJURY TO PERSONS, IN THE EVENT OF A RANGE TOP GREASE FIRE, OBSERVE THE FOLLOWING:

A. **SMOTHER FLAMES** with a close-fitting lid, cookie sheet, or other metal tray, then turn off the gas burner or the electric element. **BE CAREFUL TO PREVENT BURNS.** If the flames do not go out immediately, **EVACUATE AND CALL THE FIRE DEPARTMENT.**

B. **NEVER PICK UP A FLAMING PAN** - you may **DO NOT USE WATER**, including wet dishcloths or towels - a violent steam explosion will result.

Always leave safety grills and filters in place. Without these components, operating blowers could catch onto hair, fingers and loose clothing. The manufacturer declines all responsibility in the event of failure to observe the instructions given here for installation, maintenance and suitable use of the product. The manufacturer further declines all responsibility for injury due to negligence and the warranty of the unit automatically expires due to improper maintenance.

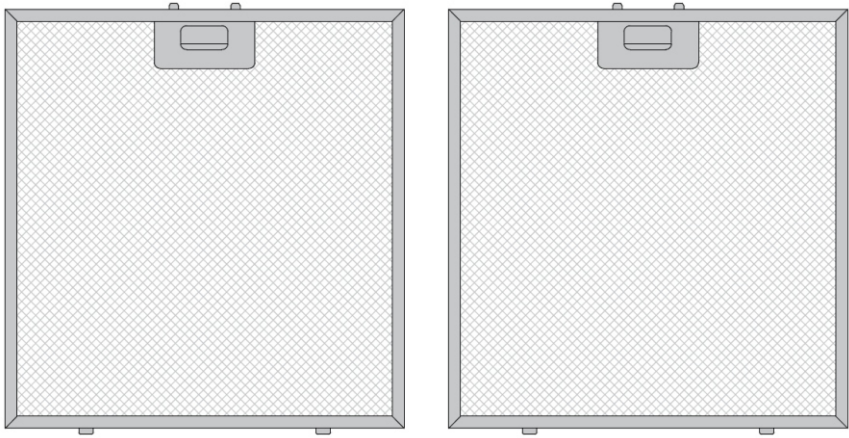
WARNING

To Reduce The Risk Of Fire Or Electric Shock, Do Not Use This Hood With Any External Solid State Speed Control Device.

WARNING

Unplug or disconnect the appliance from the power supply before servicing.

ALUMINUM FILTERS



About Your New Filters

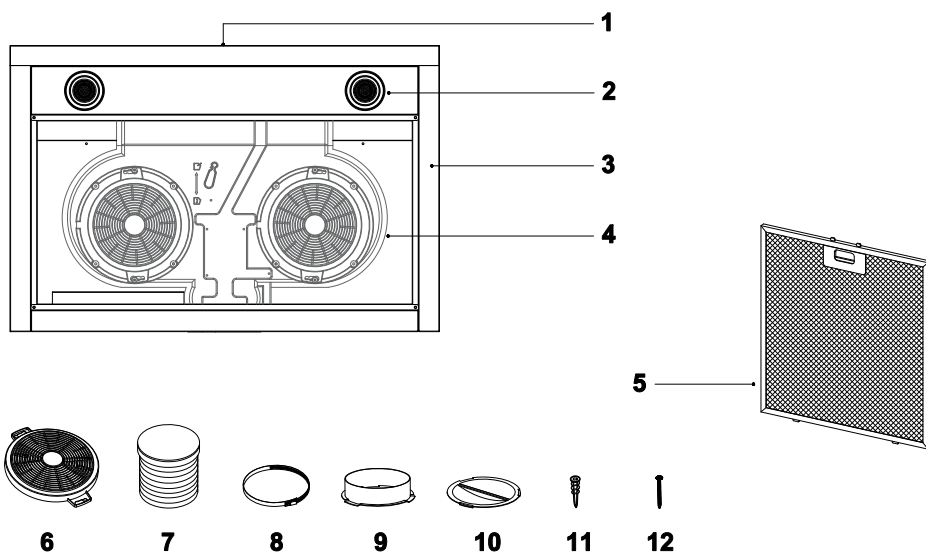
Aluminum Filters are recommended to be replaced every 6 months depending on usage.

Cleaning my Aluminum Filters

Your filters can be hand washed and cleaned to increase time between replacements.

PARTS DIAGRAM

MODEL:VFUA03-30" / VFUA03-36"



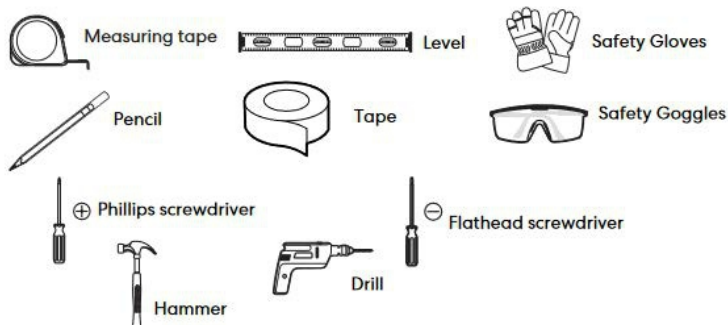
Other accessories:

1. 4-Speed Electronic Switch
2. LED Lights (2 pcs)
3. Main Body
4. Motor Housing
5. Aluminum Filter (2 pcs)
6. Carbon Filter (2 pcs)
7. Smoke tube (1 pcs)
8. Duct Clamps (1 pcs)
9. Duct Connection Fitting with Damper(1 pcs)
10. Air Outlet Cap (2 pcs)
11. Screws 5mm x 49mm (4 pcs)
12. Wall Anchors 10mm x 43.3mm (4 pcs)

INSTALLATION REQUIREMENTS

1. Please read the following instructions carefully.
2. This Range Hood can be vented through the top or back. Remove the Air Outlet Cap according to the option chosen (Fig. 1). For ductless installation, install an Air Outlet Cap on both the rear and top vent holes.
3. For optimal performance the Range Hood must be installed 24" - 36" in height from the cooktop. (Fig. 2)
4. Electrical Requirements: Rated Voltage and Frequency:) 110-120V~ 60Hz. Motor Input Power: 65W

TOOLS NEEDED FOR INSTALLATION



! WARNING

Sufficient air is needed for proper combustion and exhausting of gases through the chimney of fuel burning equipment to prevent back-drafting. Follow the cooking equipment manufacturers guideline and safety standards such as those published by the National Fire Protection Association (NFPA), the American Society for Heating, Refrigeration and Air Conditioning Engineers (ASHRAE), and local code. When cutting or drilling into wall or ceiling, do not damage electrical wiring and other hidden utilities. Ducted systems must always be vented outdoors.

Fig. 1

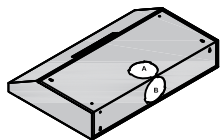
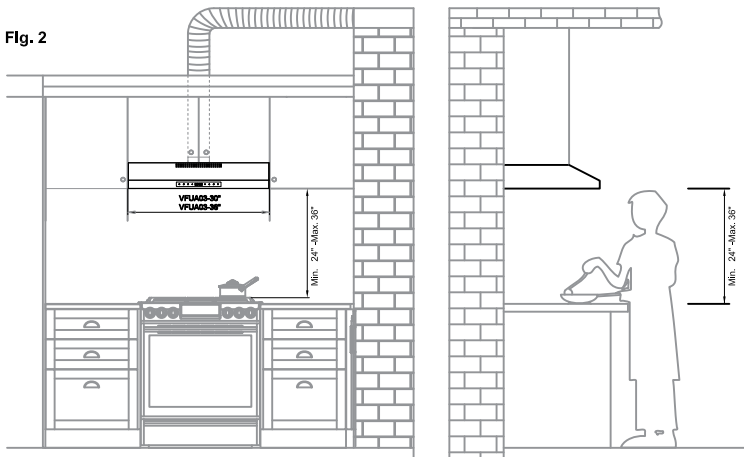


Fig. 2



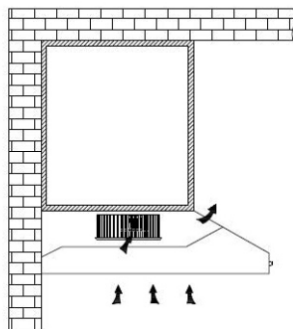
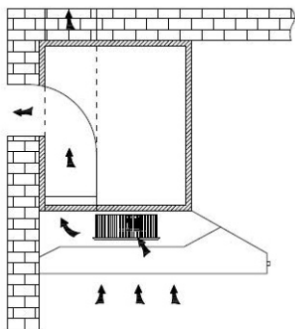
PRE-INSTALLATION PROCEDURES

- Please read the instructions carefully. Unpack the Range Hood and check that all functions are working before installing.
- Ensure that the voltage (V) and the frequency (Hz) indicated on the sticker match the voltage and frequency at the installation site.
- Check that the area behind the installation surface to be drilled is clear of any electrical cables or pipes, etc.
- The stainless steel surfaces of the Range Hood are very easily damaged during installation if scratched or bumped by tools. Please take care to protect the surfaces during installation.
- Protect the cook top surface below with cardboard, or the like, to prevent damage occurring during installation.
- The manufacturer shall not be held liable for failure to observe all safety regulations.

IMPORTANT READ BEFORE INSTALLATION

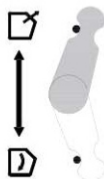
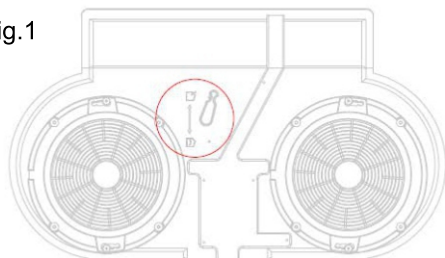
You will need to set the Range Hood mode to either Ducted or Ductless.

- 1.Remove Aluminum Filters
- 2.Locate Knob Settings located under the Motor (**Fig. 1**)
- 3.Unlock the Settings Knob by unscrewing and setting to Ducted or Ductless mode.
- 4.Lock the Knob into place by replacing the screw from **Step 3**.



Ducted Mode: Turn the knob to this setting for Ducted Installation.

Fig.1



Recirculating Mode: Turn the knob to this setting for a Ductless Installation.

INSTALLATION INSTRUCTIONS

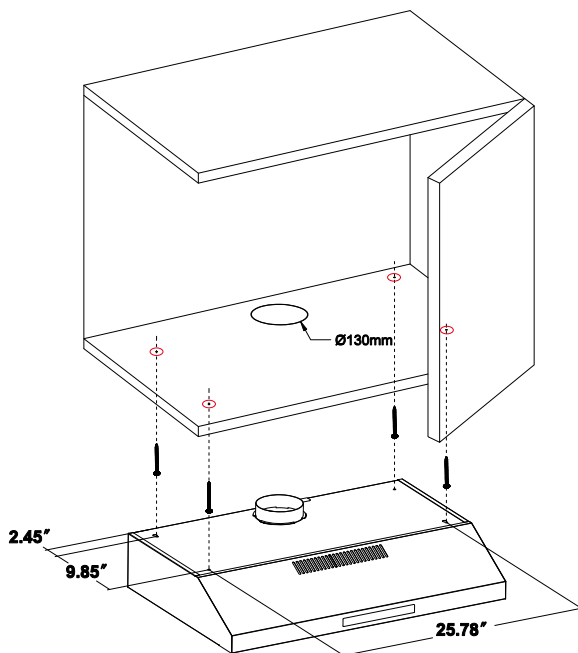
CAUTION: HOOD MAY HAVE VERY SHARP EDGES: PLEASE WEAR PROTECTIVE GLOVES WHENEVER IT IS NECESSARY TO REMOVE ANY PARTS FOR INSTALLING, CLEANING OR SERVICING.

Cabinet Installation Method

For **Ducted** installation drill a 130mm diameter hole into the cabinet and four 3.5mm diameter holes as pictured below picture.

For **Ductless** installation **do not** drill the 130mm diameter hole in the cabinet. Drill only the four 3.5mm diameter holes as pictured below.

Use the 4 screws to mount the Range Hood to the cabinet. Check that your mounting screws are in the correct place by temporarily fitting the Range Hood in place. If correct, lock into position by pushing in the Range Hood.

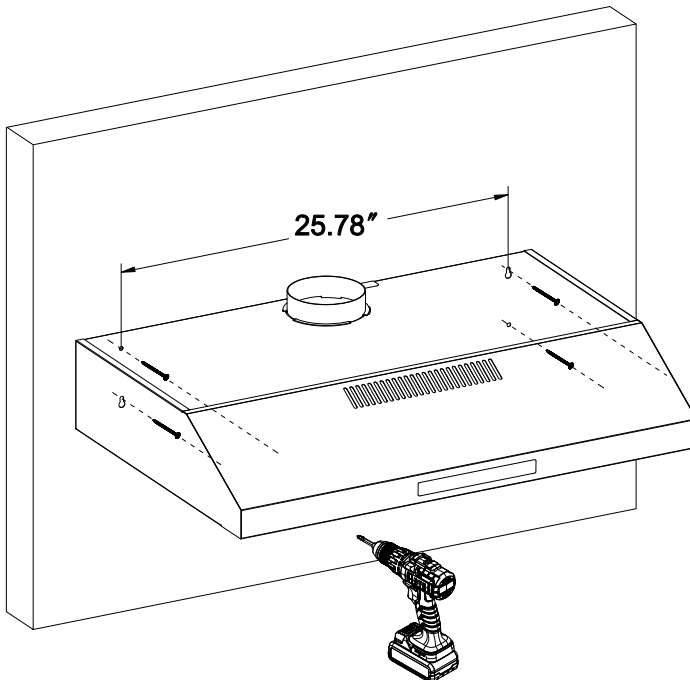


INSTALLATION INSTRUCTIONS

CAUTION: HOOD MAY HAVE VERY SHARP EDGES: PLEASE WEAR PROTECTIVE GLOVES WHENEVER IT IS NECESSARY TO REMOVE ANY PARTS FOR INSTALLING, CLEANING OR SERVICING.

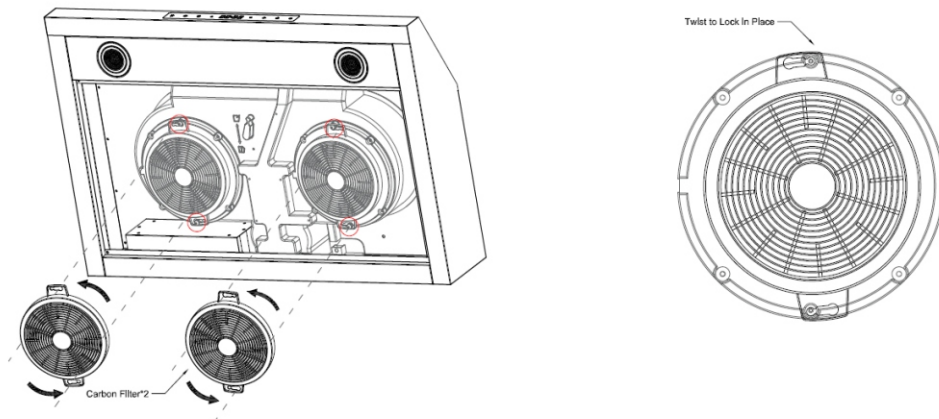
Wall Mount Installation Method

- A.** Find the 4 mounting holes in the back of the range hood. Mark their locations at the installation location with a pencil or marker.
- B.** Drill 5/16 (8mm) hole at each of the marked locations.
- C.** Insert anchors along with screws into each drilled hole. Firmly tighten the screw into place.
- D.** Hang your Range Hood into place by aligning the screws with the 4 mounting holes in the back of the range hood. Lock into place by sliding down the range hood.



PREPARING THE VENT HOOD: AIR RECIRCULATION MODE

Installing the Carbon Filter



- 1.) Remove the aluminum filters.
- 2.) The charcoal filter is installed at the end of the motor. Align the upper and lower holes, twist the carbon filter Counterclockwise to lock into place.
- 3.) To replace the carbon filter, reverse the process and repeat.

NOTE: The carbon filter cannot be washed and reused and must be replaced every 4-6 months, depending on use.

If you have any questions about Installing the Carbon Filter, please feel free to contact our Customer Support at: service@venfan.com and we will provide you with the video to install it properly.

PREPARING THE VENT HOOD: AIR EXTRACTION MODE

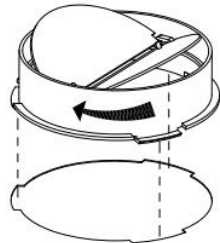
Check Valve Installation and Plugs

PREPARING THE VENT HOOD: AIR EXTRACTION MODE

Check Valve Installation and Plugs

Hold on check valve with your hands, align the box gap, put in the check valve, and then spin to a certain angle until three angles of the valve are stuck. Installation is complete.

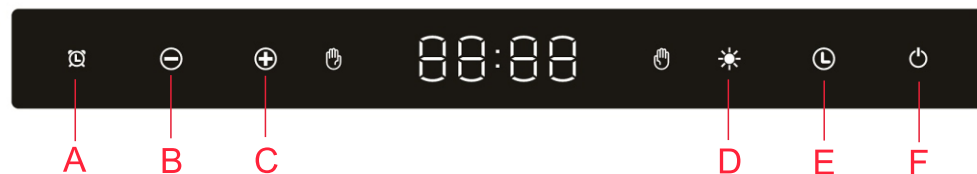
Install a port plug in the unused hole on the vent hood (top or back).



If you have any questions about the Installing the Duct Connection Fitting with Damper, please feel free to contact our Customer Support at : service@venfan.com, and we will provide you with the video to install it properly.

OPERATING INSTRUCTIONS

Control Panel Layout and Buttons Configurations:



A. Timer - only works when the range hood fan is running, touch once, the timer has a default setting of 15 minutes; use button B or C to decrease time or increase duration depending on how much time you require.

B. Minus Button - used to decrease settings.

C. Plus Button - used to increase settings.

D. To press Light to open or close the lamp. The luminance of lighting can be adjusted from 0% to 100% as wanted by touching Light.

E. Auto Power off- press to turn off the fan automatically after 3 minutes.

F. Power/Gesture Control-press to turn the control panel on/off; (the control panel will power off automatically after 1 minute if no further operation) Press and hold for 5 seconds will run (or turn off) the gesture control. Move your hand from left to right side will run the 1st fan speed, and again to go with 2nd fan speed, then 3rd and 4th speed, and your 5th hand moving will bring the fan into sleeping. Oppositely, move your hand from right to left will decrease the fan speed.

Remote control:

Remote control sensor receives infrared (IR) signal from the Remote control. The maximum distance for IR data transmission is 3 meters (10ft.) and requires direct line of sight. The transmission distance may vary depending on temperature and remote control battery condition.

WIRING DIAGRAM

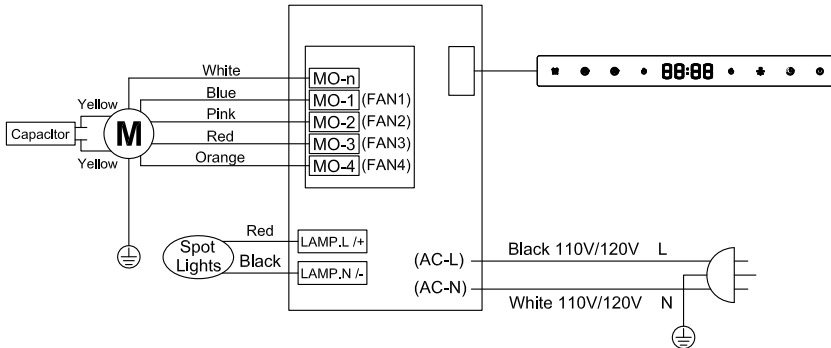
VENFAN

Model No.: VFUA03-30" / VFUA03-36"

VOLTAGE: AC 110-120V / 60Hz
POWER: 76W (Motor 70W, Lamp 2x3W)
LAMP TYPE: 12V LED , MAX 3W



Circuit Diagram





MAINTENANCE

CAUTION: NEVER PUT YOUR HAND INSIDE OF THE UNIT WHILE ITS OPERATING. FOR THE BEST PERFORMANCE CLEAN YOUR RANGE HOOD REGULARLY.

CLEANING

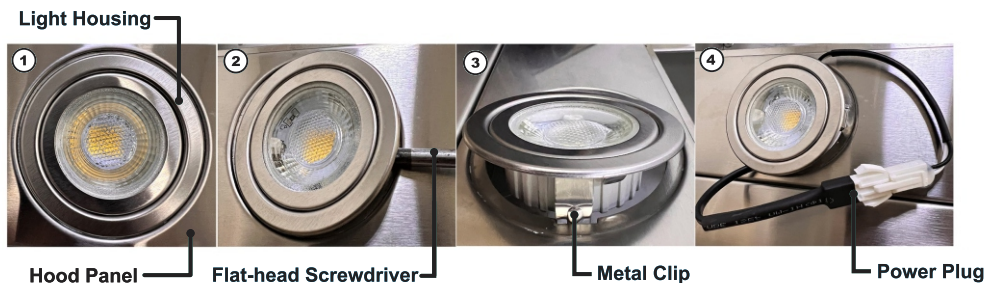
1. Use only mild soap or cleaning solutions to clean the hoods' outer surface. Dry surfaces using a soft cloth.
2. Stainless Steel cleaner may be used on the external surface.
3. Clean the Range Hood assembly 3 to 6 months depending on use.
4. **DO NOT** clean the motor or electrical components with water or any other liquid.

 **WARNING**
Hazard of Burns
Light bulb can become extremely hot when turned on.
DO NOT touch bulb until switched off and cooled.
Touching hot bulbs could cause serious burns.

 **WARNING**
Hazard of electrical shock!
DO NOT perform service on an electrically live system. Disconnect the main electrical supply before servicing this device. Touching electrical connectors or other exposed electrical circuitry inside this range hood when they are energized could result in death, serious bodily injury, or property damage.

Replacing LED 3W 12V Light Fixture:

1. Make sure the range hood is unplugged or turn OFF breaker and the lights are cool to touch.
2. Place a flat-head screwdriver between light housing and hood body.
3. Gently pry up the light housing and search for the metal clip.
4. Apply force to the metal clip and pull out the light fixture.
5. Disconnect the power cable and discard the old light fixture.
6. Reverse the steps to install a new LED light fixture.
7. Turn ON breaker and range hood to test for operation.



TROUBLESHOOTING

CAUTION: ALWAYS UNPLUG UNIT FROM POWER BEFORE SERVICING

PROBLEM	SOLUTION	TOOLS
My range hood is noisy.	A. Check inside the range hood for any loose debris and remove.	Phillips Screwdriver
My range hood has poor performance.	A. The range hood and cook top are too far away from each other. Optimal distance is 24" to 36" B. There are too many open windows or doors in the area. Close some doors or windows. C. The motor performance has decreased due to wear. Replace motor. D. Check and make sure the tape holding down the damper flaps at the vent hole are removed before use.	Phillips Screwdriver
My range hood shakes.	A. The installation is not secure. Check again and make sure the installation hardware is securely mounted. B. The fan is broken or not balanced. Realign or replace fan. C. The motor is loose. Check and make sure the motor is solidly mounted to the unit.	Phillips Screwdriver
The motor no longer runs.	A. Replace control panel or circuit board. B. Replace with new motor assembly.	Phillips Screwdriver
Light bulb went out.	A. Replace with a new LED Bulb 3watt max.	Phillips Screwdriver

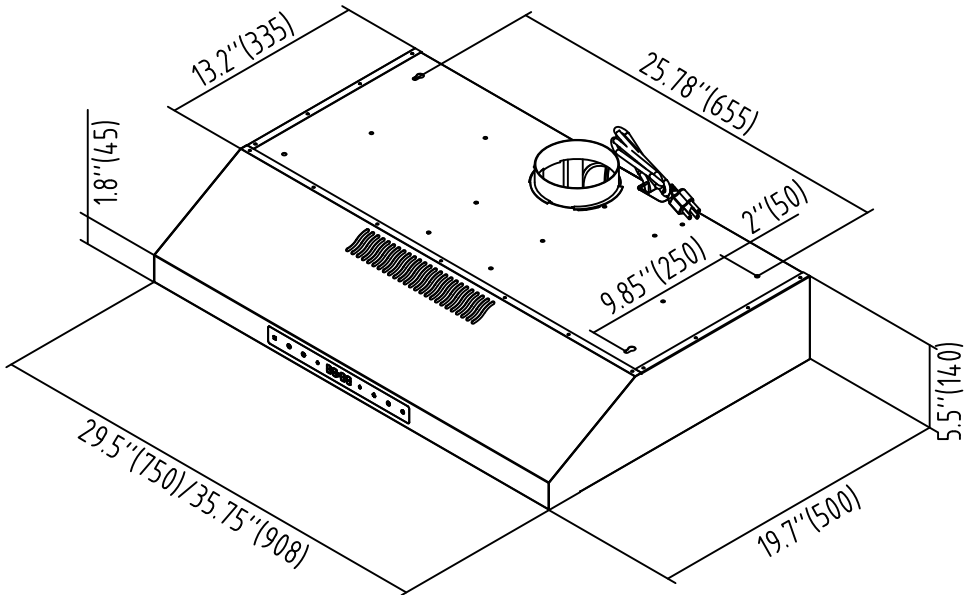
MEASUREMENTS & DIAGRAMS

***All inch measurements are converted from millimeters. Inch measurements are estimated.

***All measurements in () are millimeters.

MODEL NO.: VFUA03-30"

VFUA03-36"



WARRANTY AND SERVICE

Warranty Period

1. Customers are entitled to replacement or free repair service in case of quality defect(s) found in the product within 15 days upon receipt of the product.
2. Customers are entitled to free repair service from us for any product proven defective in material or workmanship that results in product failure during normal consumer usage and conditions within the valid warranty period, which is 12 months counting from the date of selling. However warranty period varies by product component and country of purchase. Please contact our after-sales service team via ***service@venfan.com*** for detailed warranty information.

Warranty Exclusions

1. Products subjected to unauthorized repair, misuse, collision, neglect, mishandling, soaking, accident, and unauthorized alteration.
2. Products subjected to improper use or whose labels or security tags have been torn or altered.
3. Products whose warranty has expired.
4. Products damaged due to force majeure, such as fire, flood, lightning, etc.

Warranty Claim Procedure

1. If failure or any problem occurs to your product after purchase, please contact us, or you can always contact our customer service through email at ***service@venfan.com***.
2. Our customer service will guide you through the whole service procedure regarding any product issue or problem you have encountered. We reserve the right to reexamine damaged or returned products.

Contact Card

E-mail: ***service@venfan.com***



Correct Disposal of this product:

This marking indicates that this appliance should not be disposed with other household wastes. To prevent possible harm to the environment or human health from uncontrolled waste disposal, recycle it responsibly to promote the sustainable reuse of material resources.