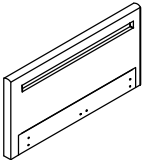
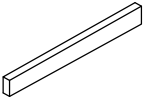
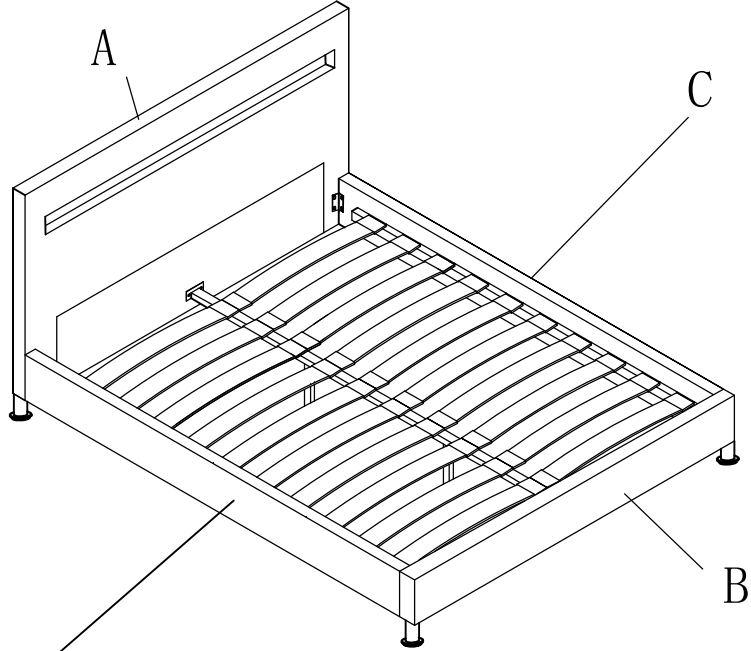
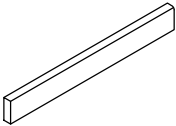
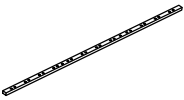



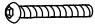





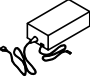
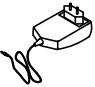



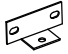


<p>Ax1</p> 	<p>Bx1</p> 		
<p>Cx2</p> 	<p>Dx1</p> 		
<p>Ex1</p> 	<p>Fx 2</p>  <p>15.5cm</p>		
<p>Gx20</p>  <p>(8*20)</p>	<p>Hx12</p>  <p>(8*50)</p>		
<p>Ix4</p>  <p>10cm</p>	<p>Jx12</p> 		
<p>Kx24</p> 	<p>Lx24</p> 		
<p>Mx16</p>  <p>(3.5*30)</p>	<p>Nx1</p> 		
<p>Ox1</p> 	<p>Px1</p> 	<p>Qx2</p> 	
<p>Rx4</p> 	<p>Sx2</p> 	<p>Tx2</p> 