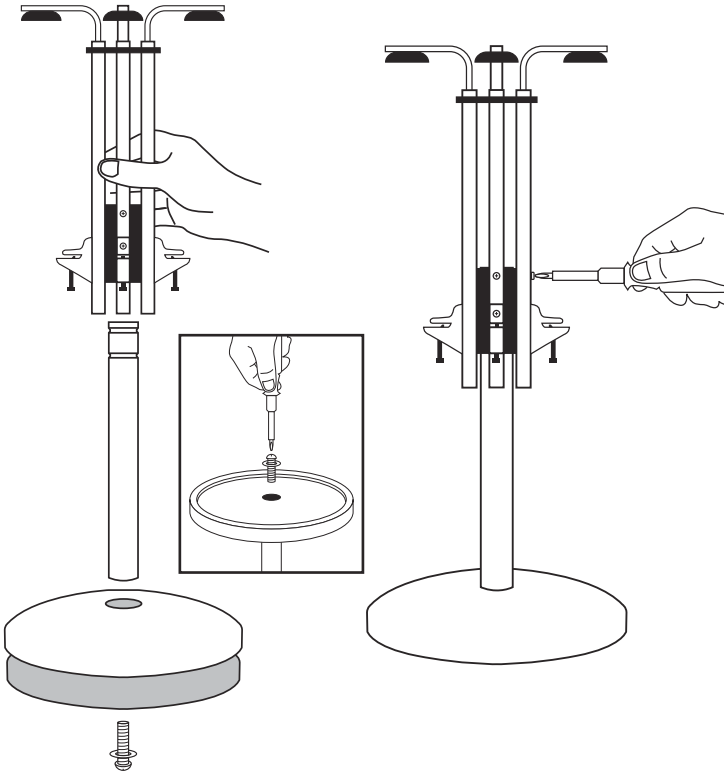


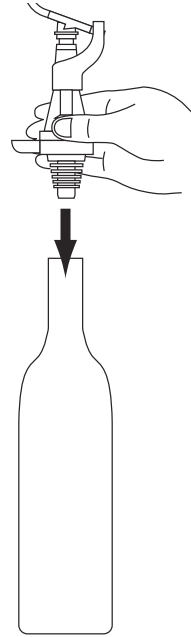
# oggi® 6 BOTTLE REVOLVING LIQUOR DISPENSER ASSEMBLY INSTRUCTIONS

1. Using a Phillips head screwdriver attach the center pole to the base plates with the screw and washer provided.

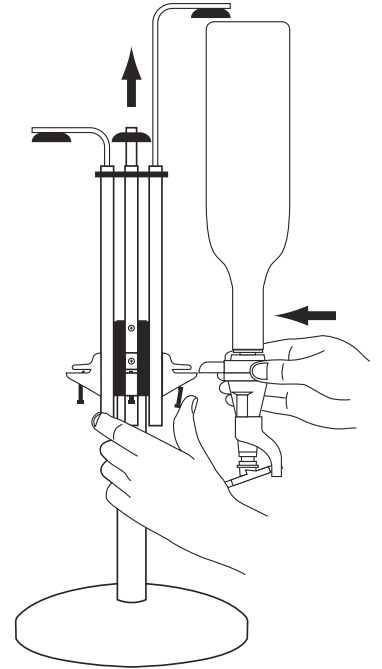


2. Using a Phillips head screwdriver, tighten locking screws on all four sides. Do not over tighten.

3. Insert the rubber stopper securely into the neck of the bottle. Carefully invert the bottle to ensure no leakage.

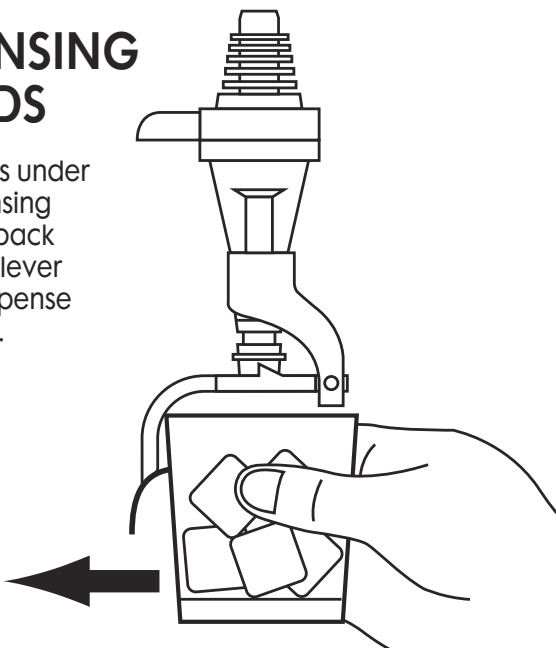


4. Invert the bottle. Extend spring loaded arm. Gently push back the locking tab and insert the bottle securely on to the dispensing unit.



## DISPENSING LIQUIDS

Place glass under the dispensing unit. Push back dispenser lever arm to dispense beverage.

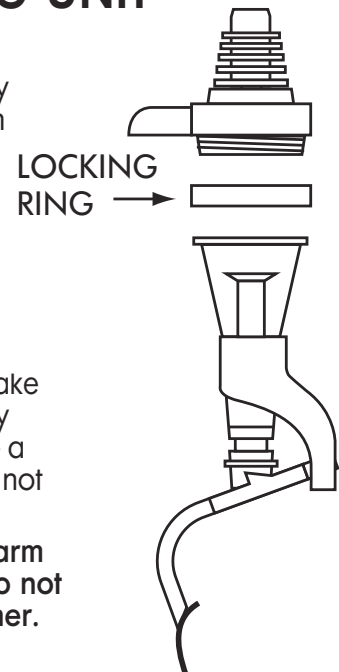


## CLEANING DISPENSING UNIT

It is recommended that you thoroughly clean the unit when changing bottles as residue can accumulate and slow the flow of liquid.

1. Twist locking ring clockwise to open. When replacing make sure ring is properly threaded to ensure a liquid tight seal. Do not over tighten.

**Note:** Use only warm water to clean. Do not place in dishwasher.



**CAUTION: NOT RECOMMENDED FOR BOTTLES WITH IRREGULAR SPOUTS OR OVER 1-LITER CAPACITY.**