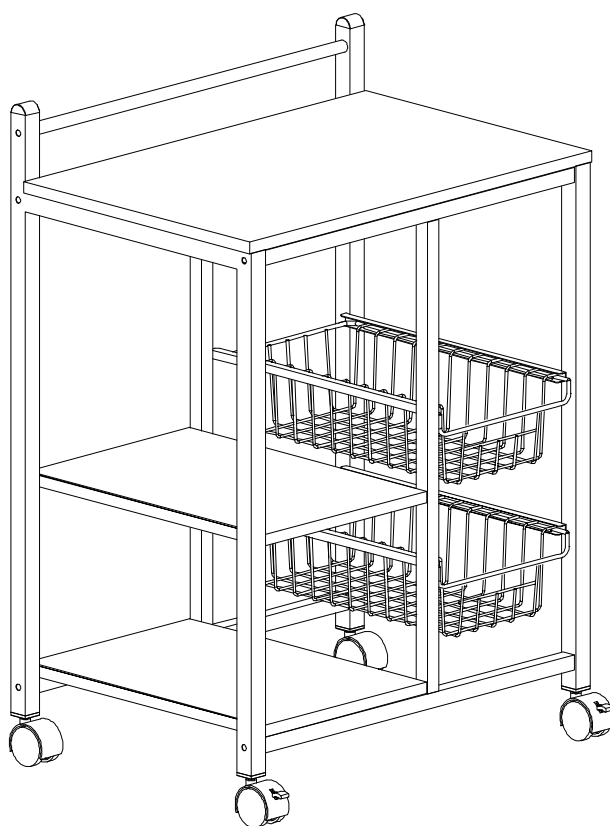


ASSEMBLY INSTRUCTIONS



Kitchen Cart

ASSEMBLY INSTRUCTIONS

ASSEMBLY TIPS:

1. Remove hardware from box and sort by size.
2. Please check to see that all hardware and parts are present prior to start of assembly.
3. Please follow attached instructions in the same sequence as numbered to assure fast & easy assembly.

WARNING!

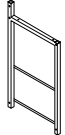
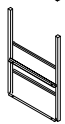
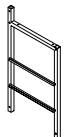
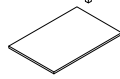
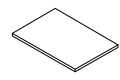
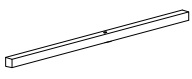




1. Don't attempt to repair or modify parts that are broken or defective. Please contact the store immediately.
2. This product is for home use only and not intended for commercial establishments.

ASSEMBLY TIME

30 MINUTES


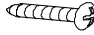
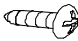




PARTS IDENTIFICATION

A	SIDE FRAME (LEFT)		1PC
B	SIDE FRAME (MIDDLE)		1PC
C	SIDE FRAME (RIGHT)		1PC
D	TOP SHELF		1PC
E	SHELF		2PCS
F	SQUARE TUBE		4PCS
G	POST		1PC
H	BASKET		2PCS

NOTE:

Phillips head screw driver is required in the assembly process; however, manufacturer does not provide this item.

HARDWARE IDENTIFICATION

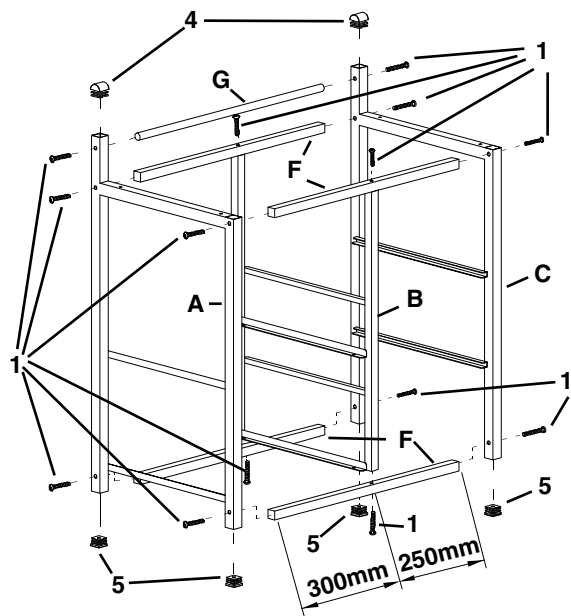
1	BOLT (1/4" x 1-3/4"L - SR)		14PCS
2	SCREW-LARGE (3/16" x 1-3/8"L - SR)		4PCS
3	SCREW-SMALL (3/16" x 1/2"L - SR)		8PCS
4	TOP CAP (25 x 25 x 24H mm - WHT)		2PCS
5	BOTTOM CAP (25 x 25 x 30H mm - WHT)		4PCS
6	CASTER (40 x 38 x 85H mm - SR)		2PCS
7	LOCKING CASTER (40 x 38 x 85H mm - SR)		2PCS

NOTE:

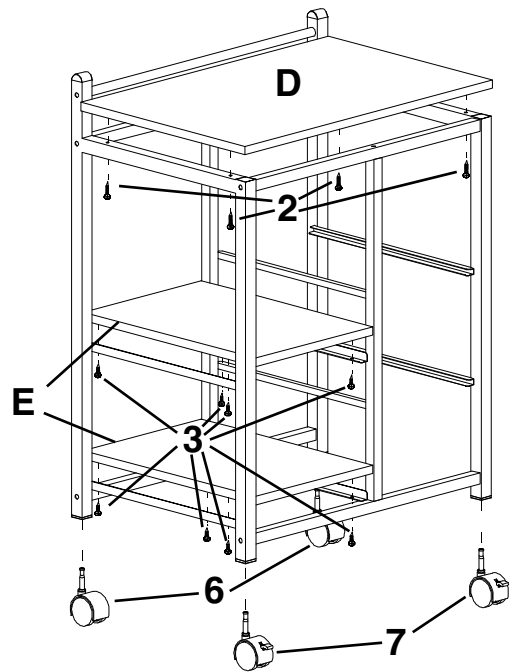
Phillips head screw driver is required in the assembly process; however, manufacturer does not provide this item.

ASSEMBLY INSTRUCTIONS

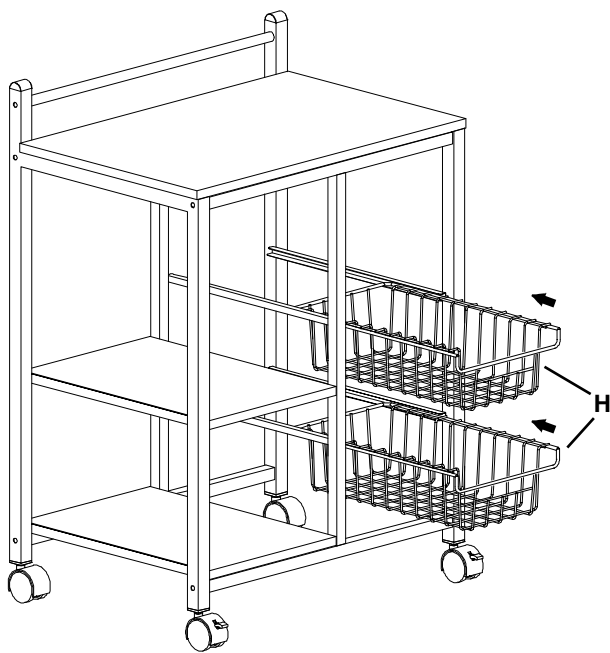
STEP 1



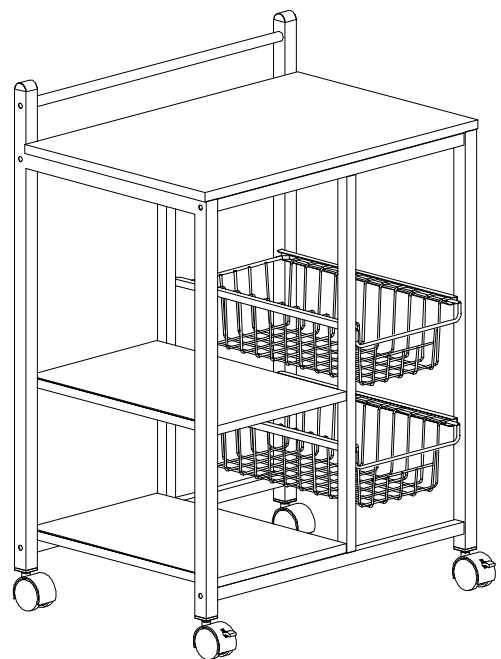
STEP 2

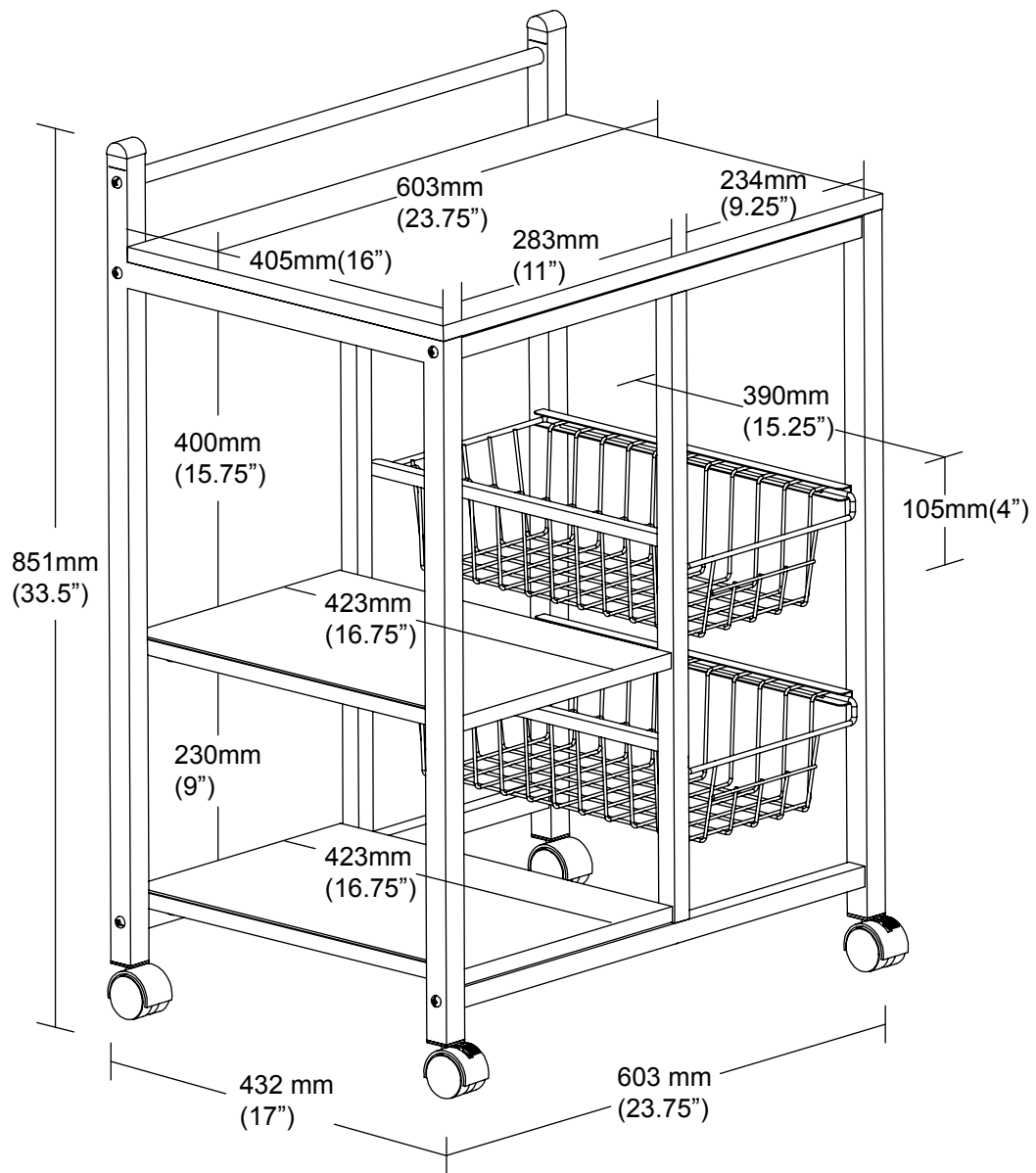


STEP 3



STEP 4 **COMPLETE**





Note : Dimension tolerance $\pm 5\%$