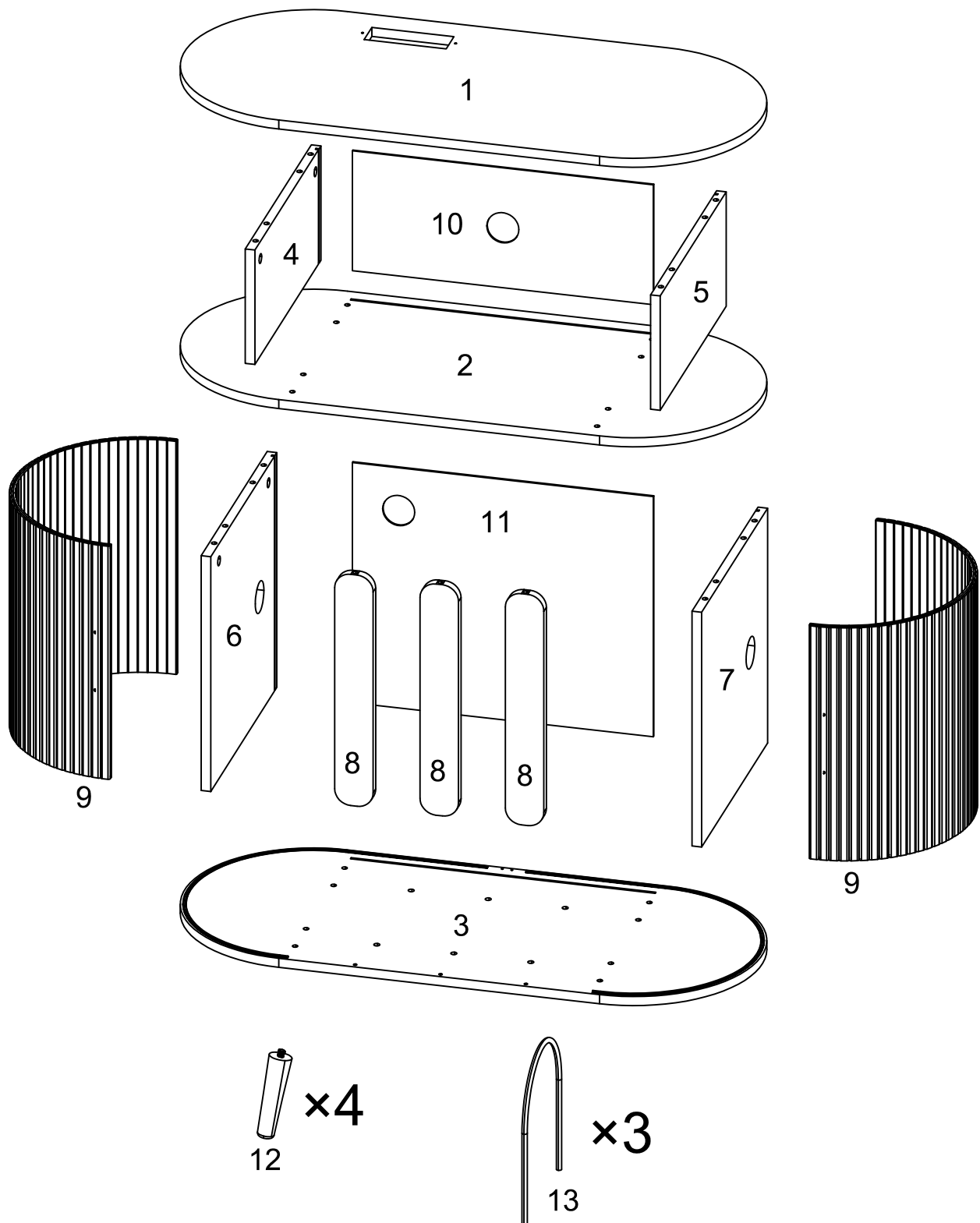


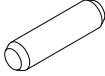




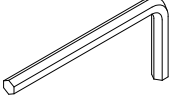









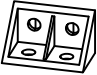


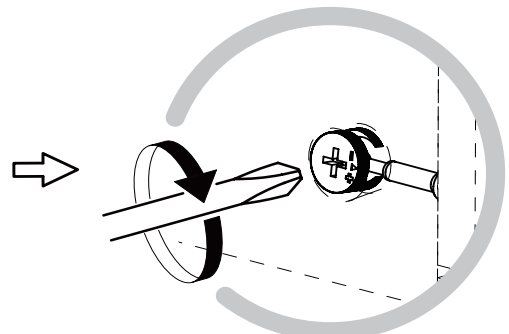
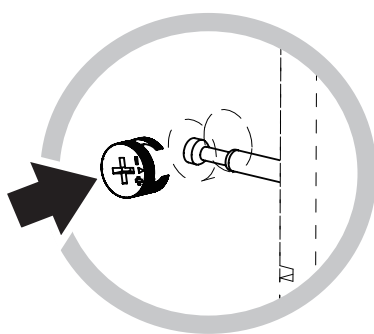
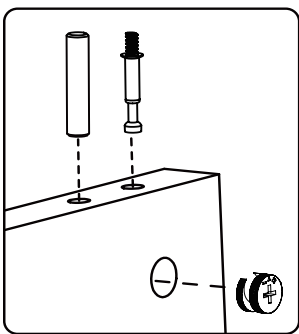
# EXPLODED DRAWING



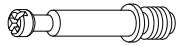

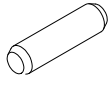


# PARTS

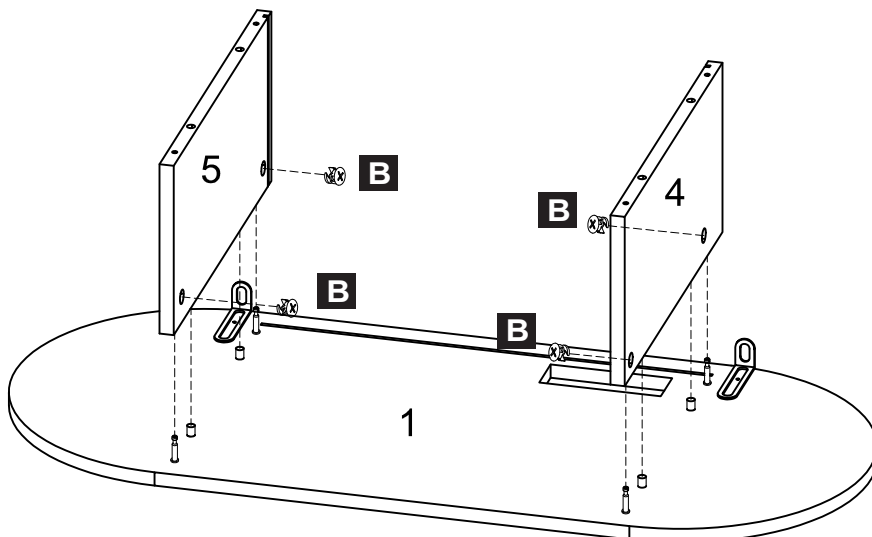
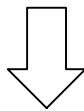
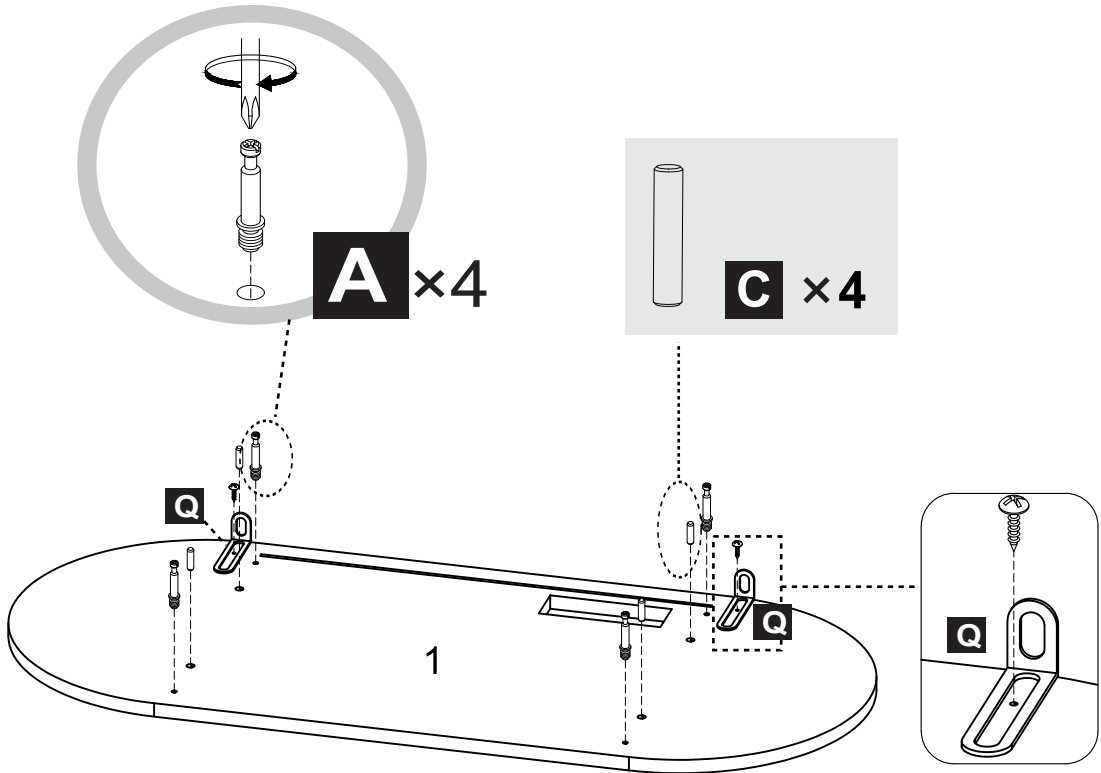
	<b>A</b> × 8		<b>B</b> × 8 M15 × 12		<b>C</b> × 16 M8 × 30		<b>D</b> × 8 M7 × 50
	<b>E</b> × 6 M4 × 22		<b>F</b> × 4		<b>G</b> × 22 M4 × 14		<b>H</b> × 1 M4
	<b>J</b> × 8		<b>K</b> × 8 M3 × 14		<b>L</b> × 2 110		<b>M</b> × 4 M4 × 12
	<b>N</b> × 6		<b>P</b> × 2 M4 × 12		<b>Q</b> × 2 M4 × 12 M4 × 35		<b>R</b> × 8
	<b>S</b> × 1		<b>T</b> × 1				

## MINIFIX POSITION



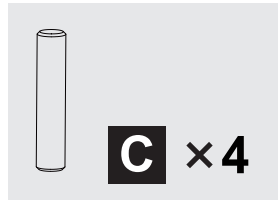
1

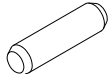

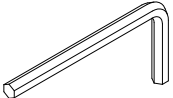
	<b>A</b> ×4 M6×35		<b>B</b> ×4 M15×12
	<b>C</b> ×4 M8×30	 	<b>Q</b> ×2 M4×12

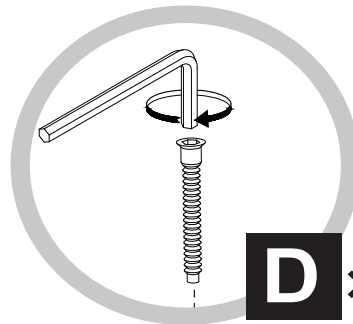
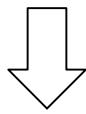
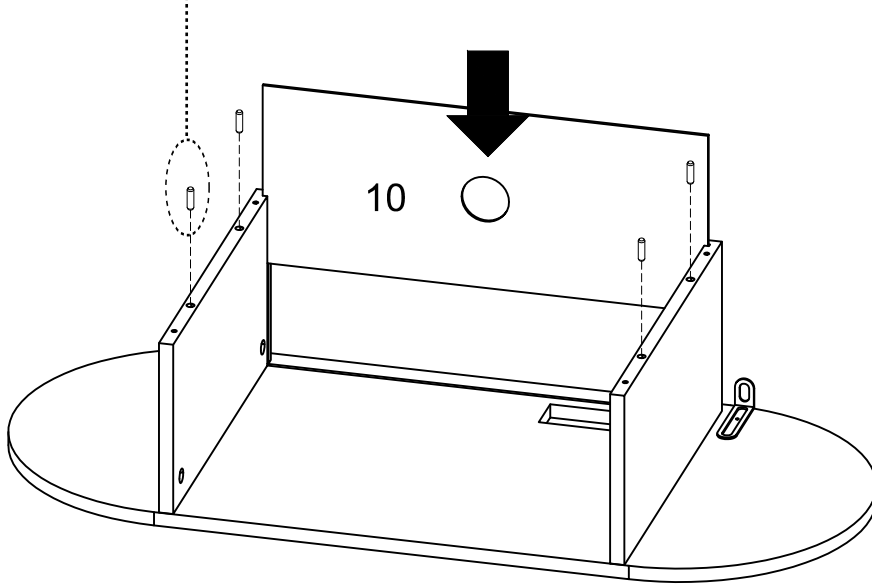


3

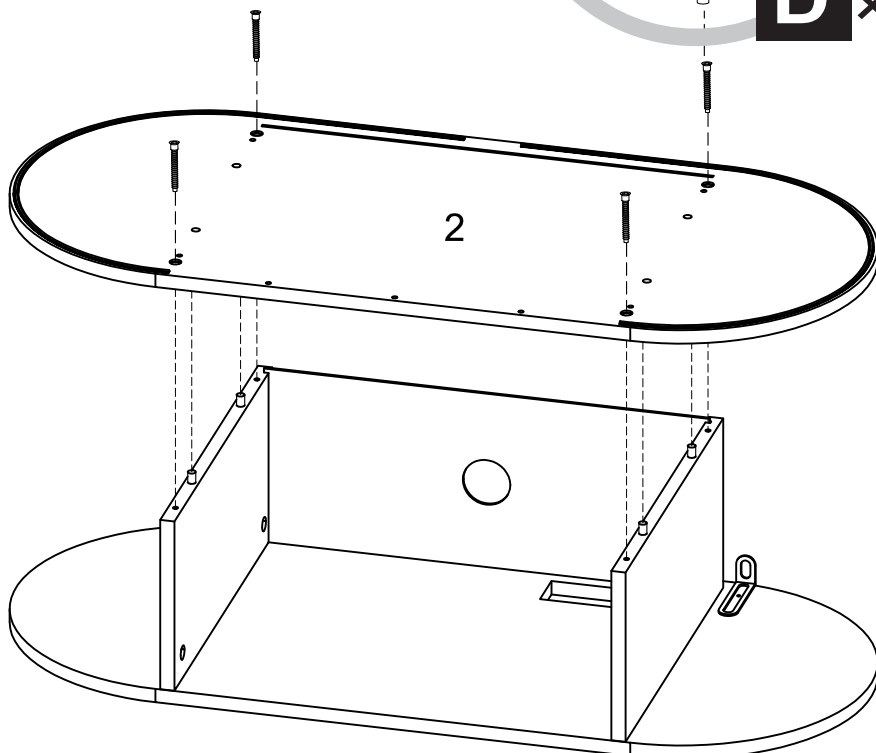
2



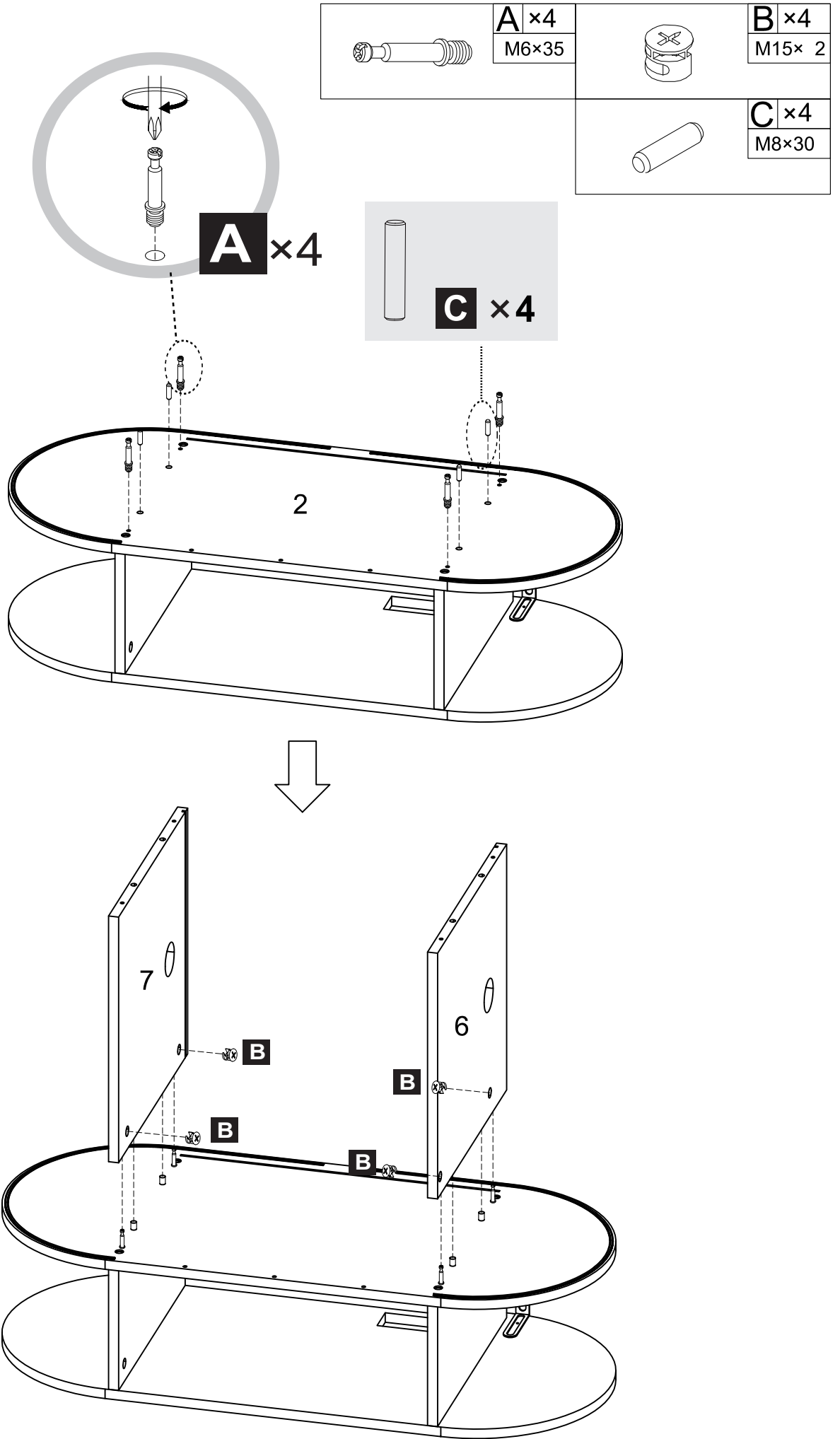
	<b>C</b> × 4 M8×30		<b>D</b> × 4 M7×50
			

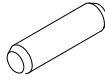

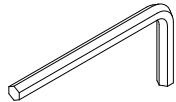


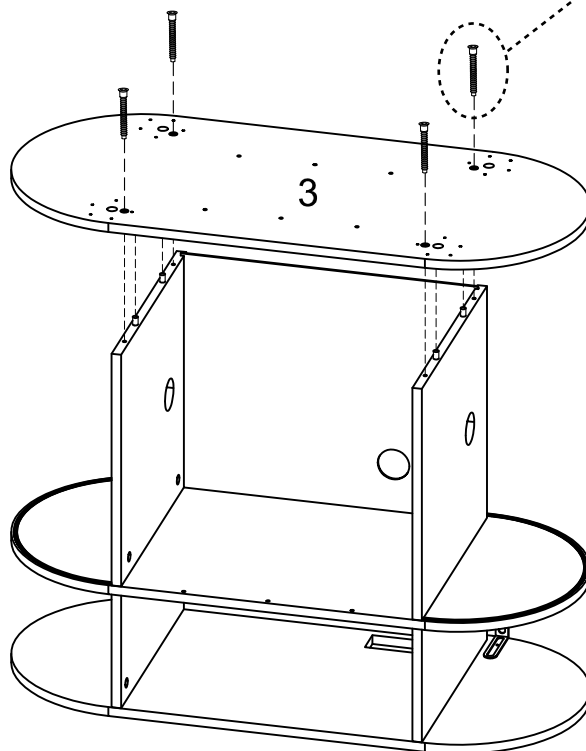
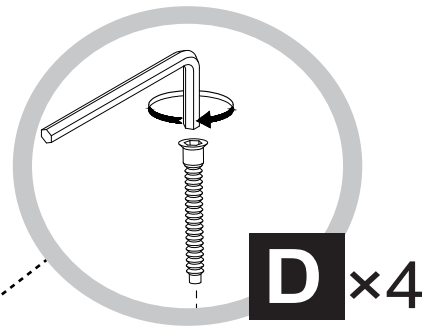
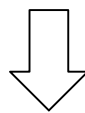
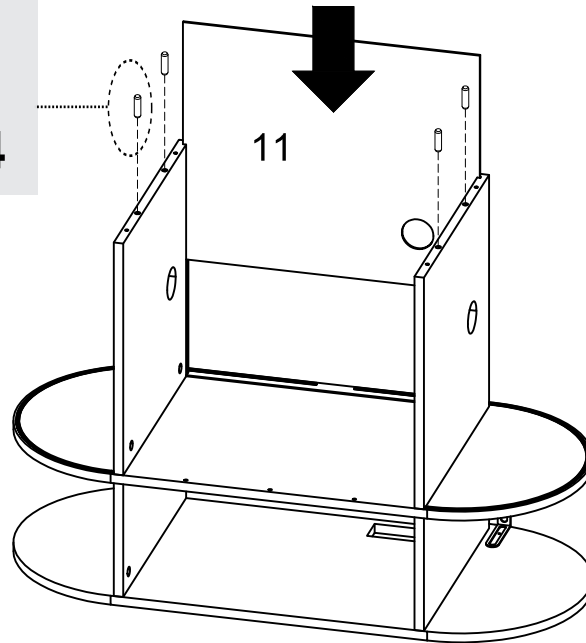
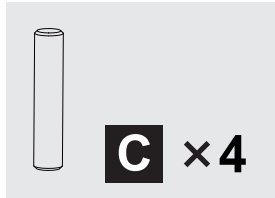
**D** × 4






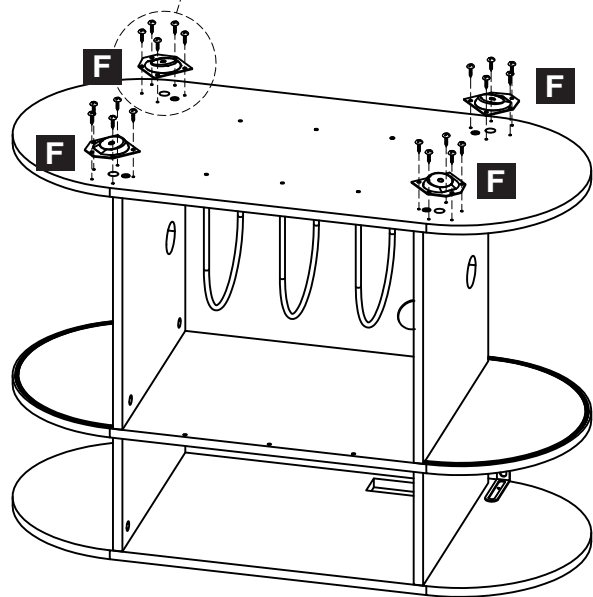
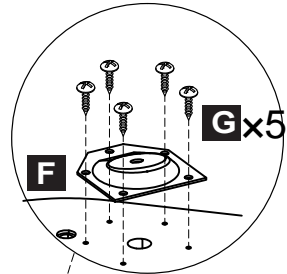
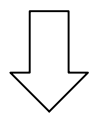
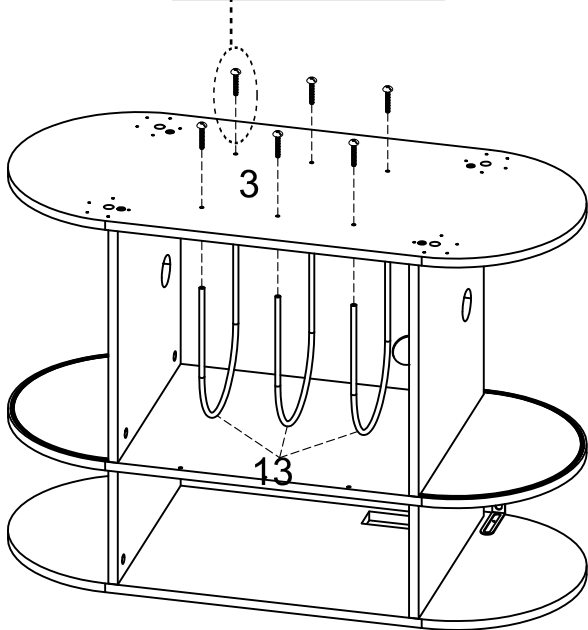
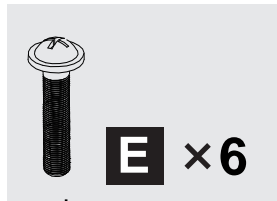
3







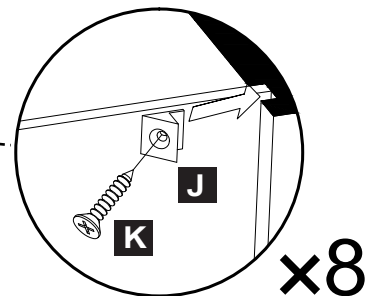
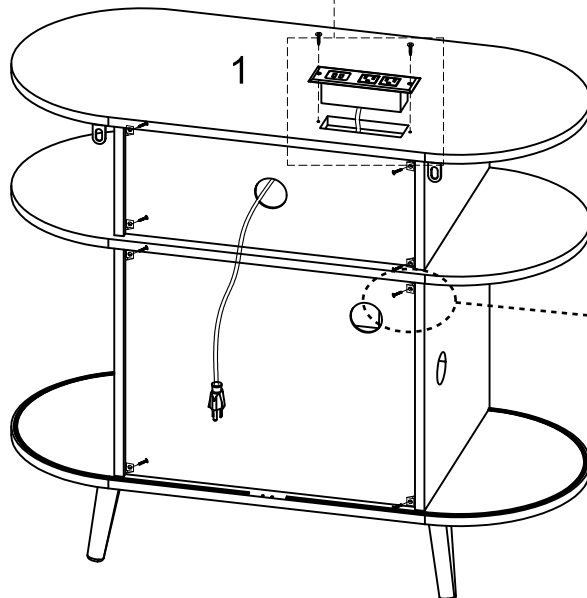
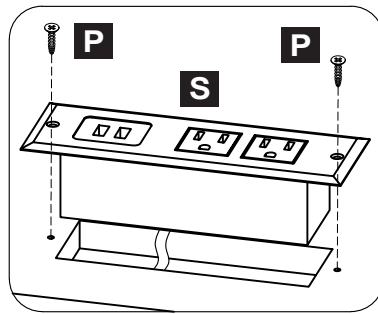
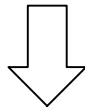
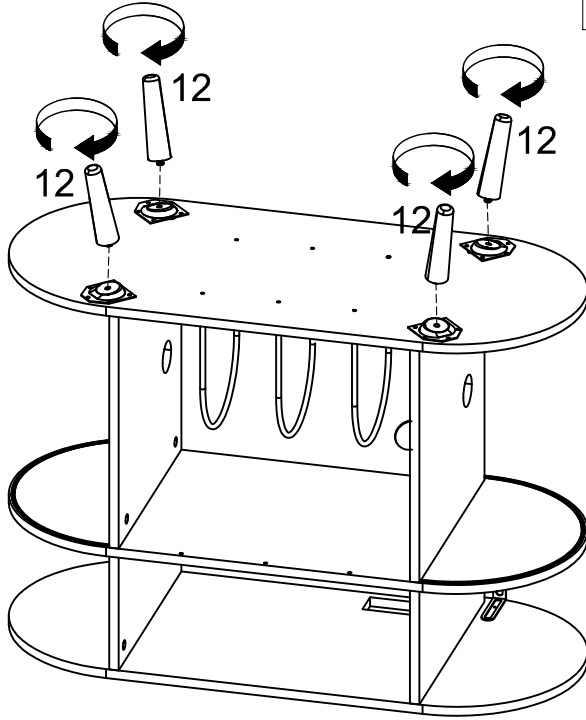
	<b>C</b> × 4 M8×30		<b>D</b> × 4 M7×50
			



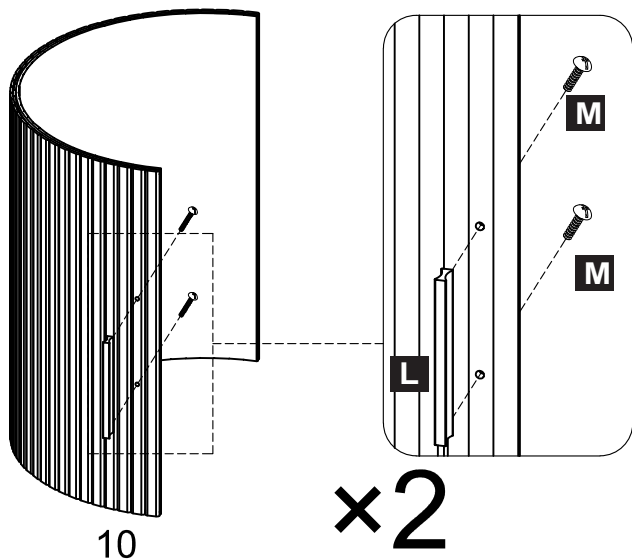
	<b>E</b> × 6 M4×22		<b>F</b> × 4
			<b>G</b> × 20 M4×14
			

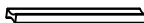



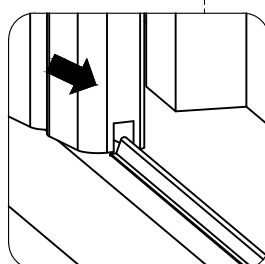
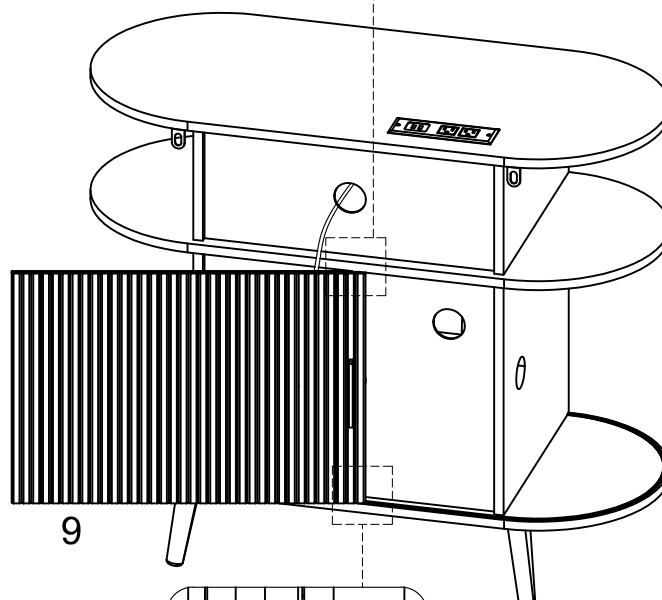
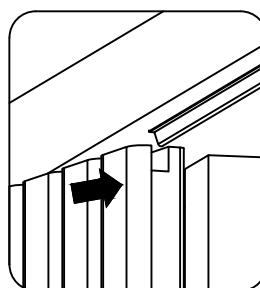
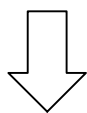
	<b>J</b> × 8		<b>K</b> × 8 M3 × 14
	<b>S</b> × 1		<b>P</b> × 2 M4 × 12

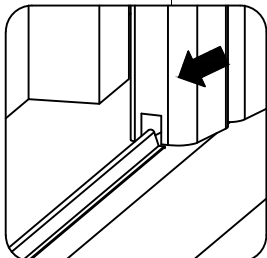
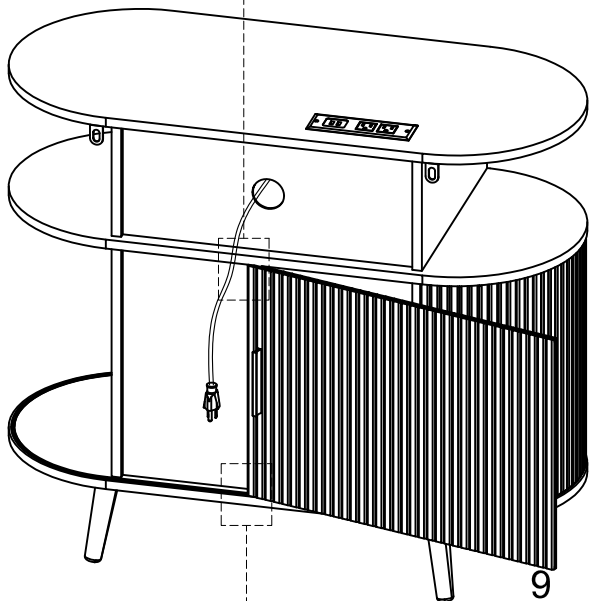
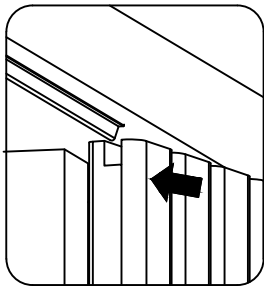



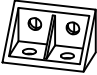
7



	<b>L</b> × 2 110
	<b>M</b> × 4 M4 × 12





	G × 2		T × 1
	M4 × 14		

