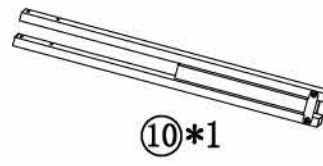
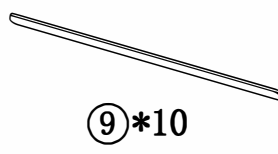
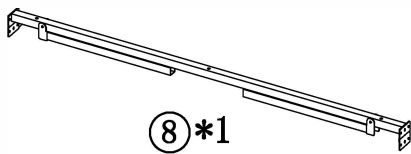
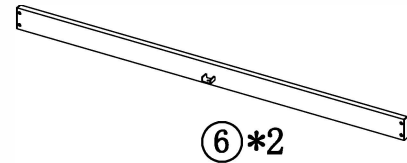
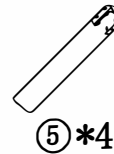
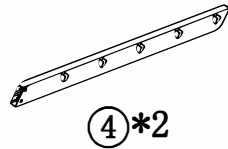
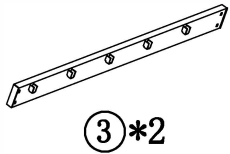


Platform Bed

Set-up Instruction

If you have any questions about the product, please don't hesitate to contact us. You can reach us through your order. Thanks for your support!



M8*32
A*16PCS



M8*27
B*8PCS



M8*35
C*6PCS



M8*60
D*1PC



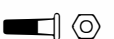
M8
E*16PCS



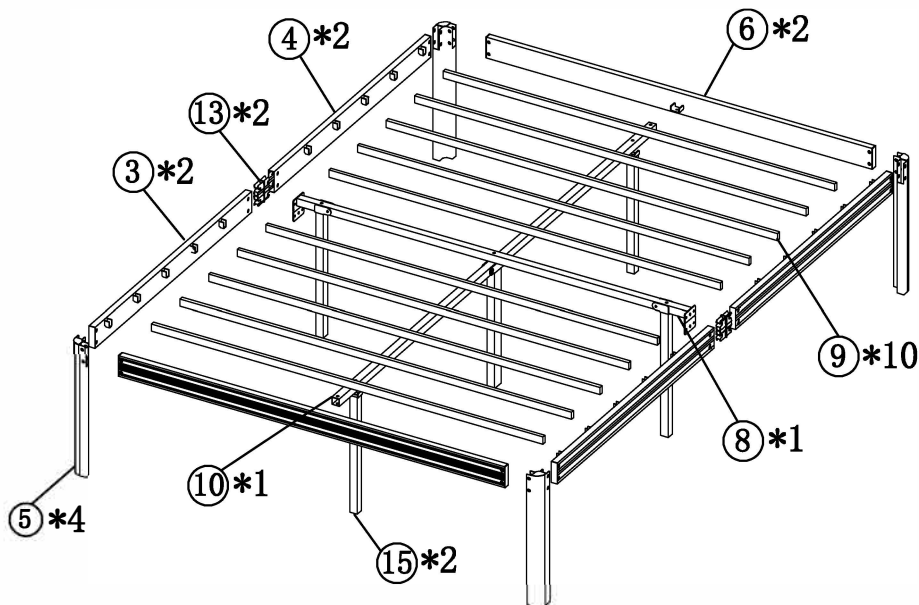
F*1PC



G*1PC

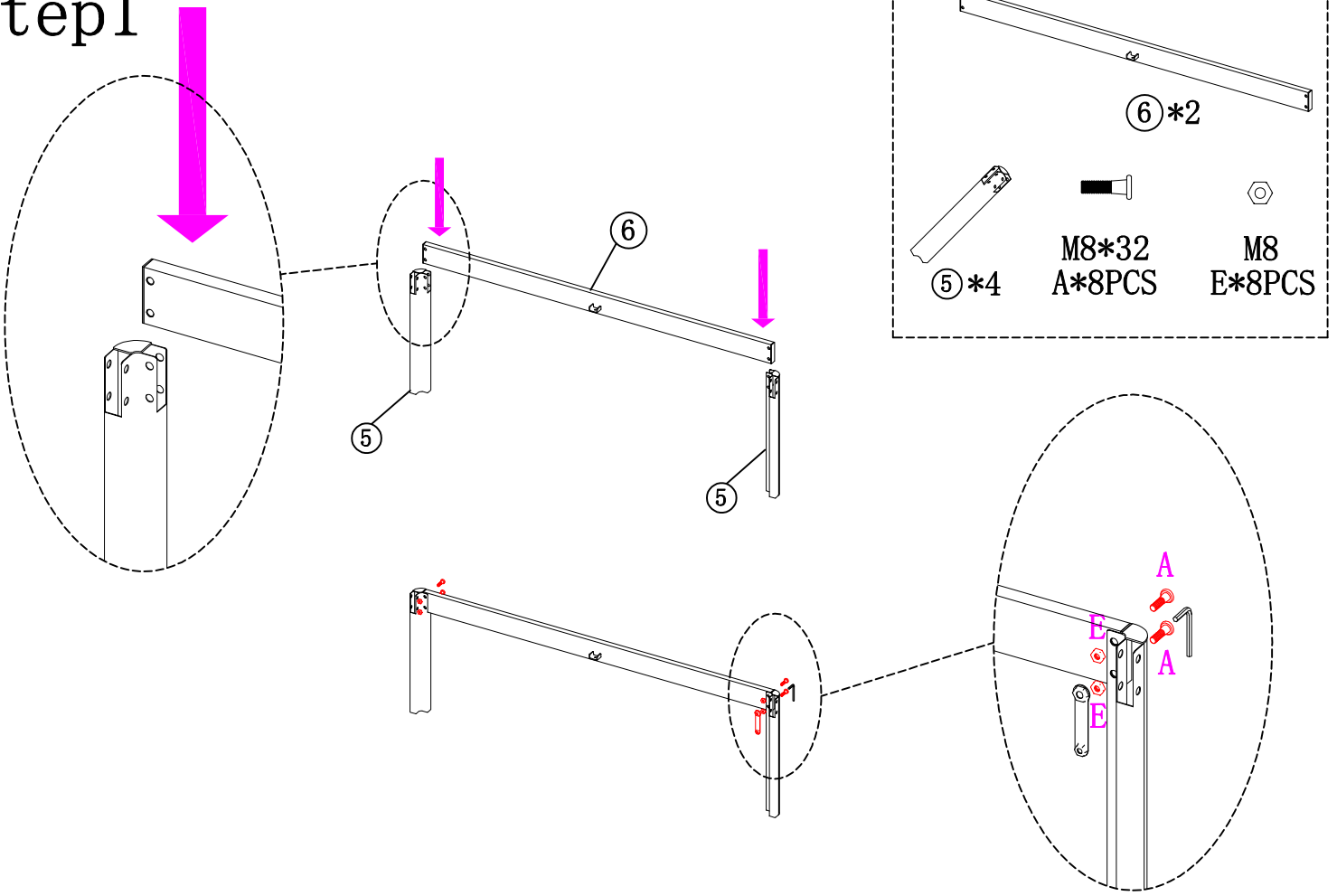


spare part

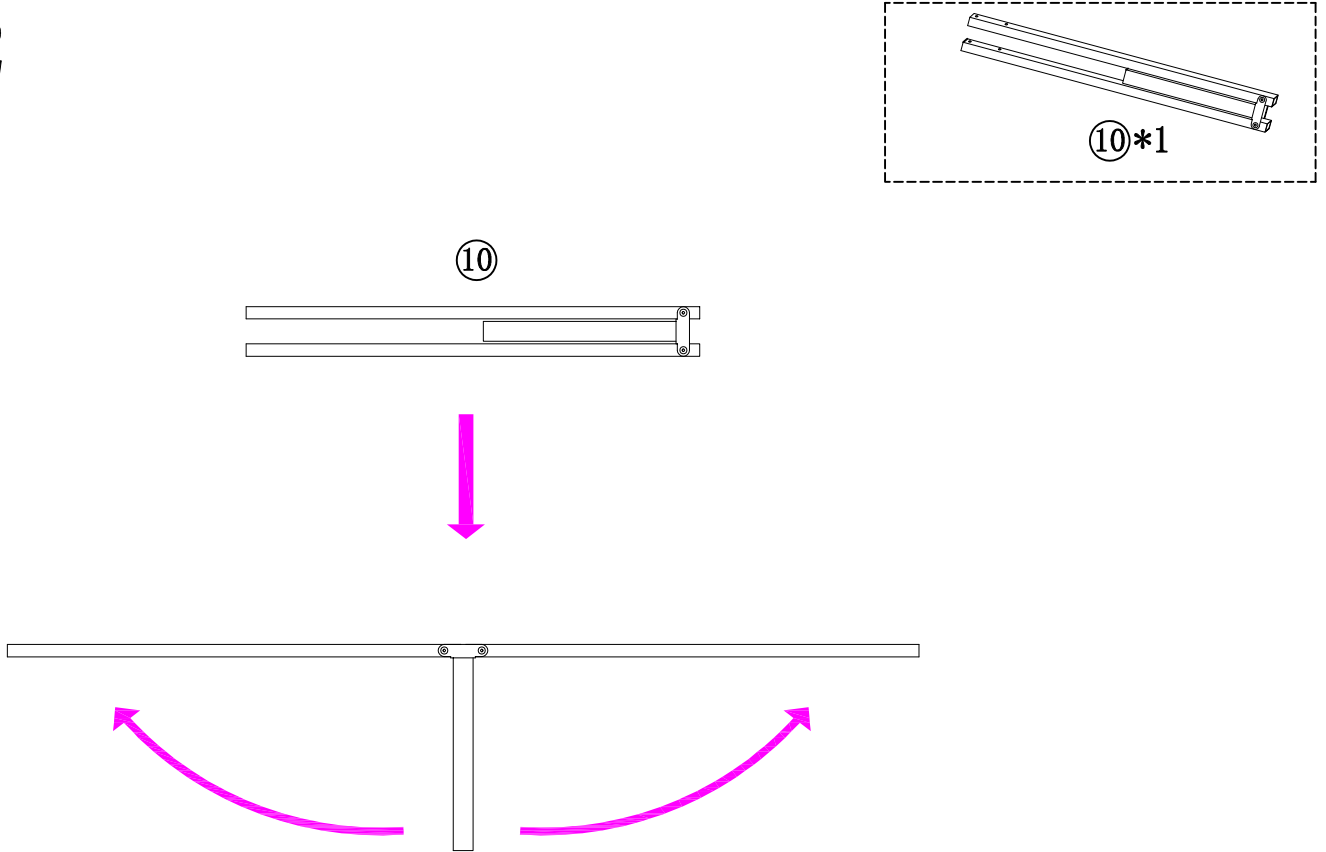


Size: Full/Queen/King/Cal King


Step1

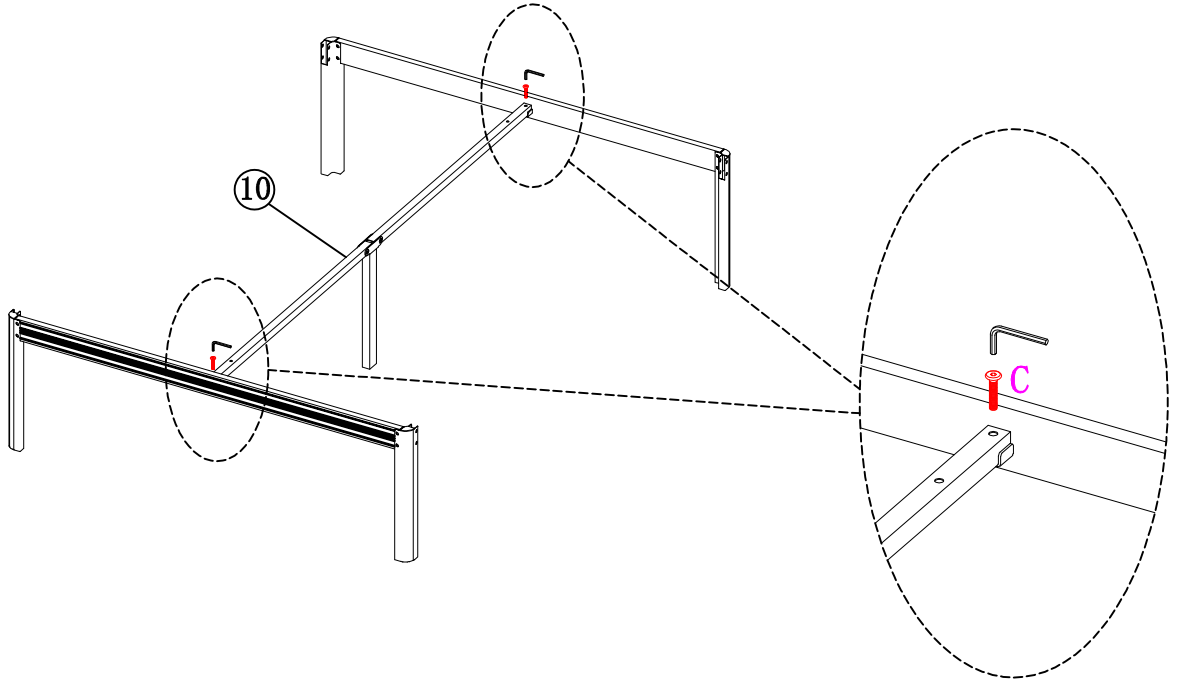


Step2




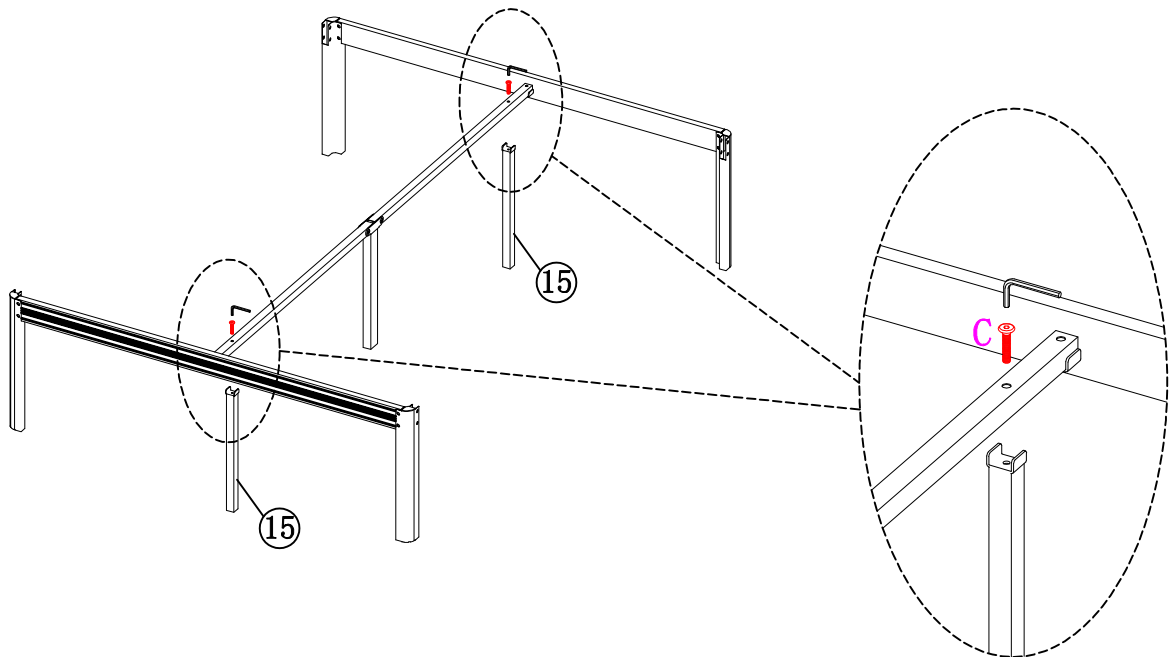
Step3


M8*35
C*2PCS

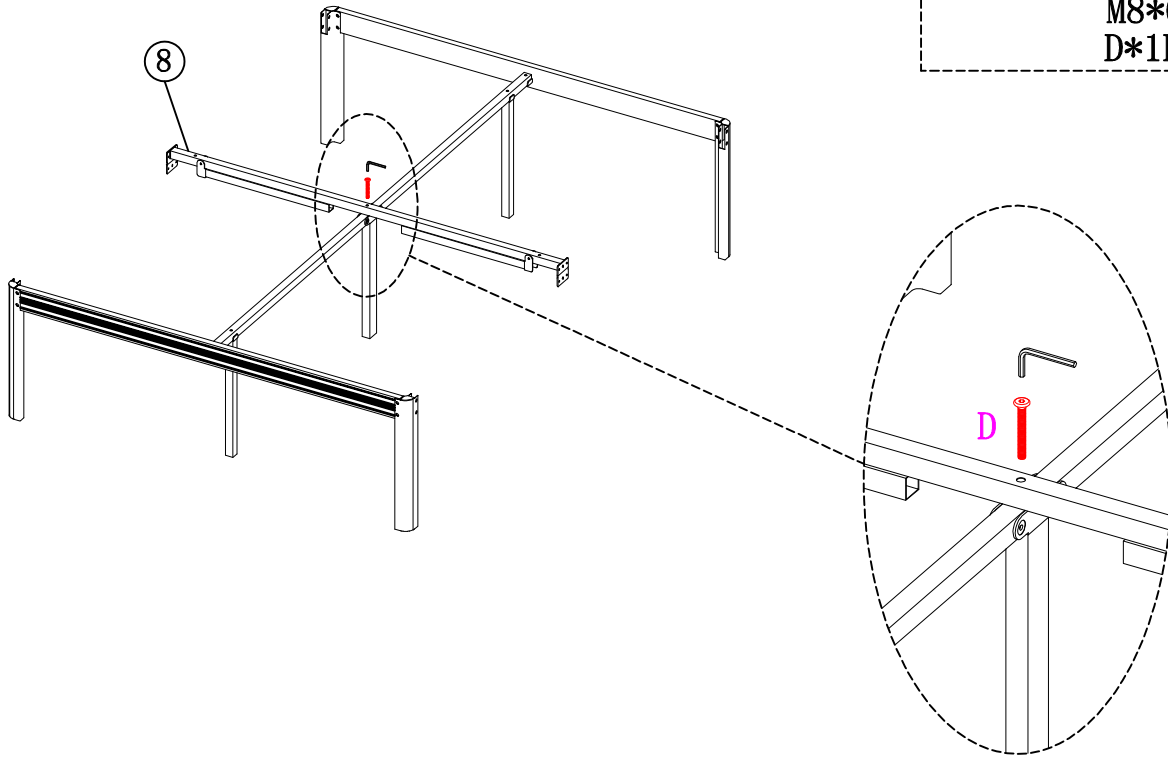


Step4

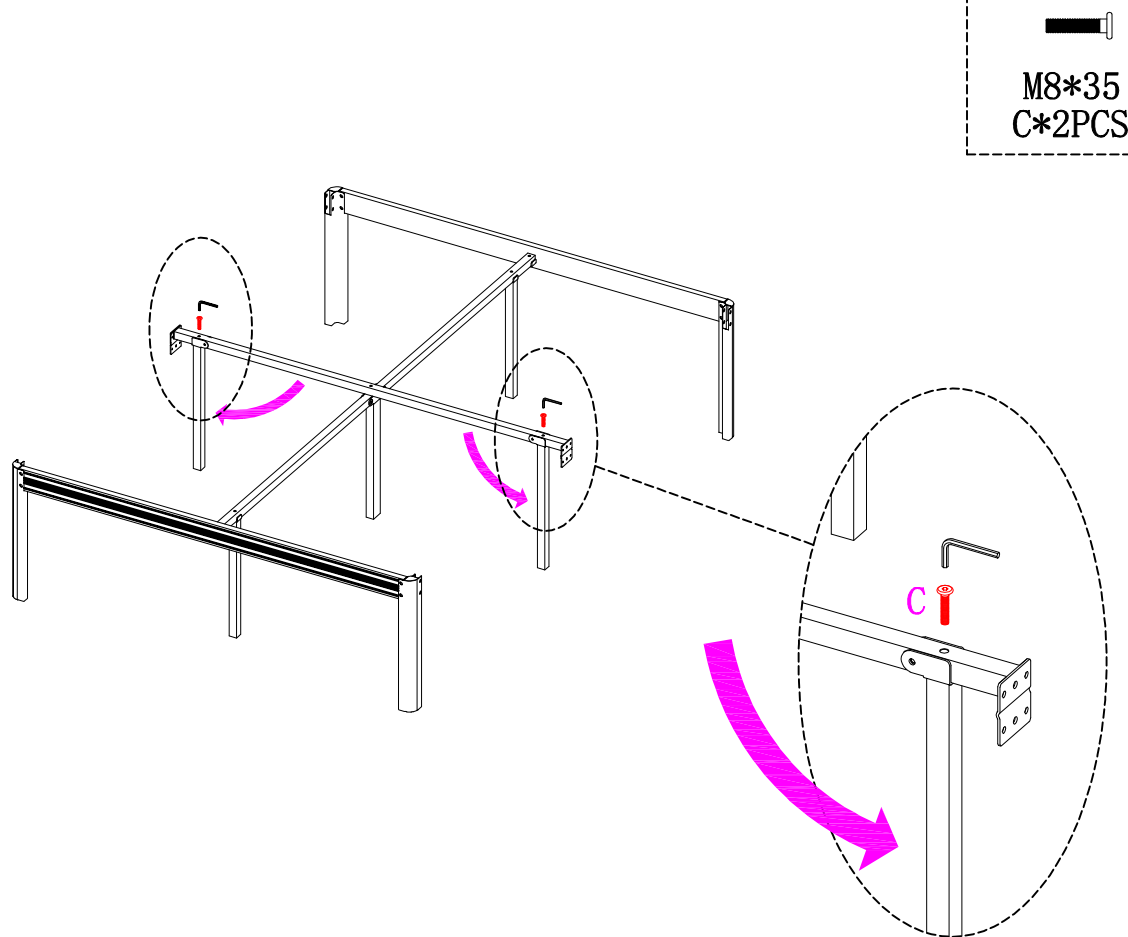

M8*35
C*2PCS



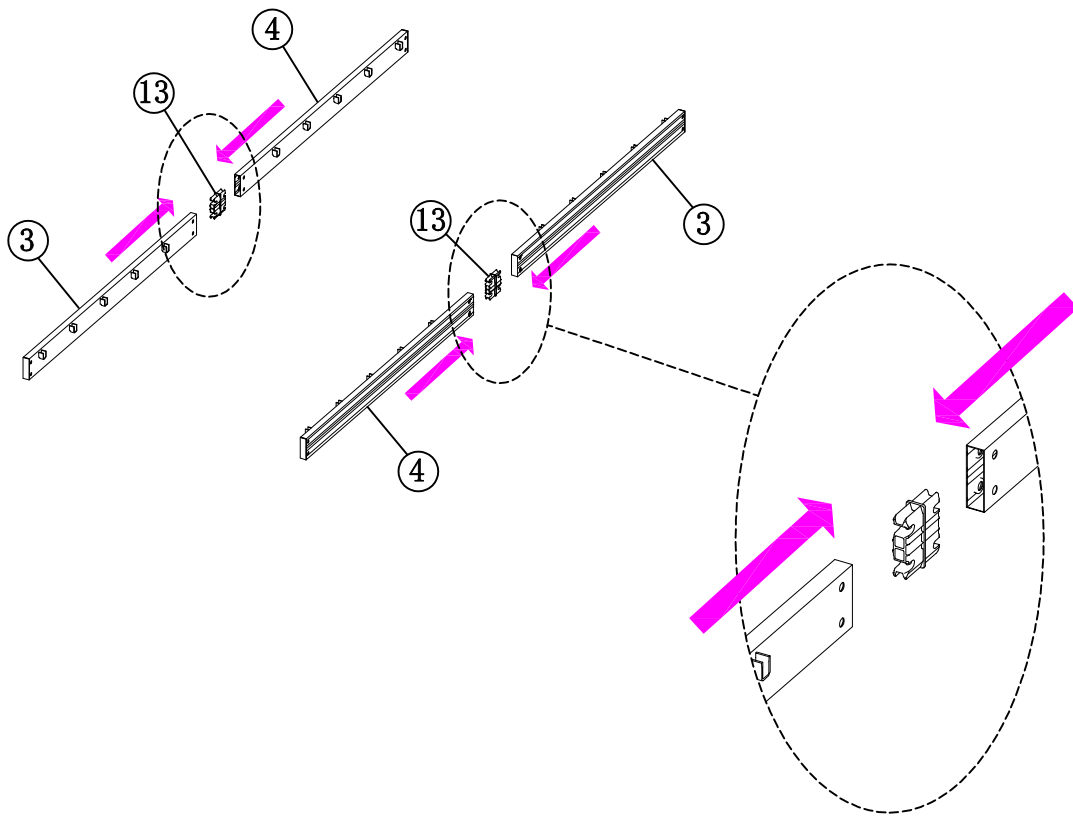
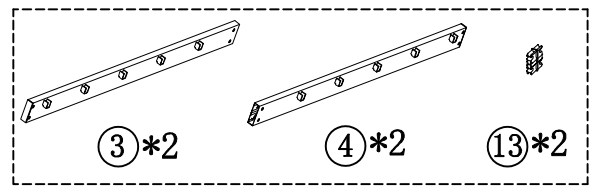
Step5



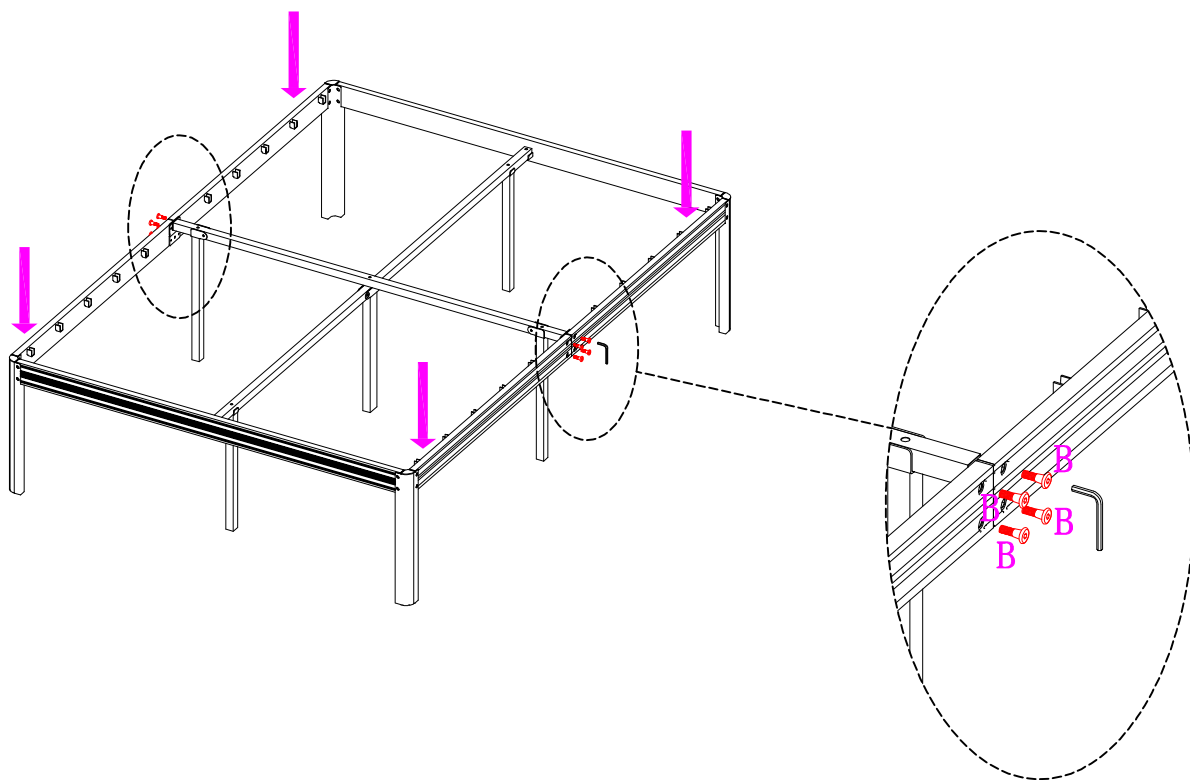
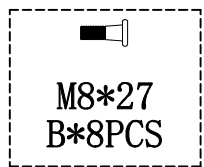
Step6



Step7



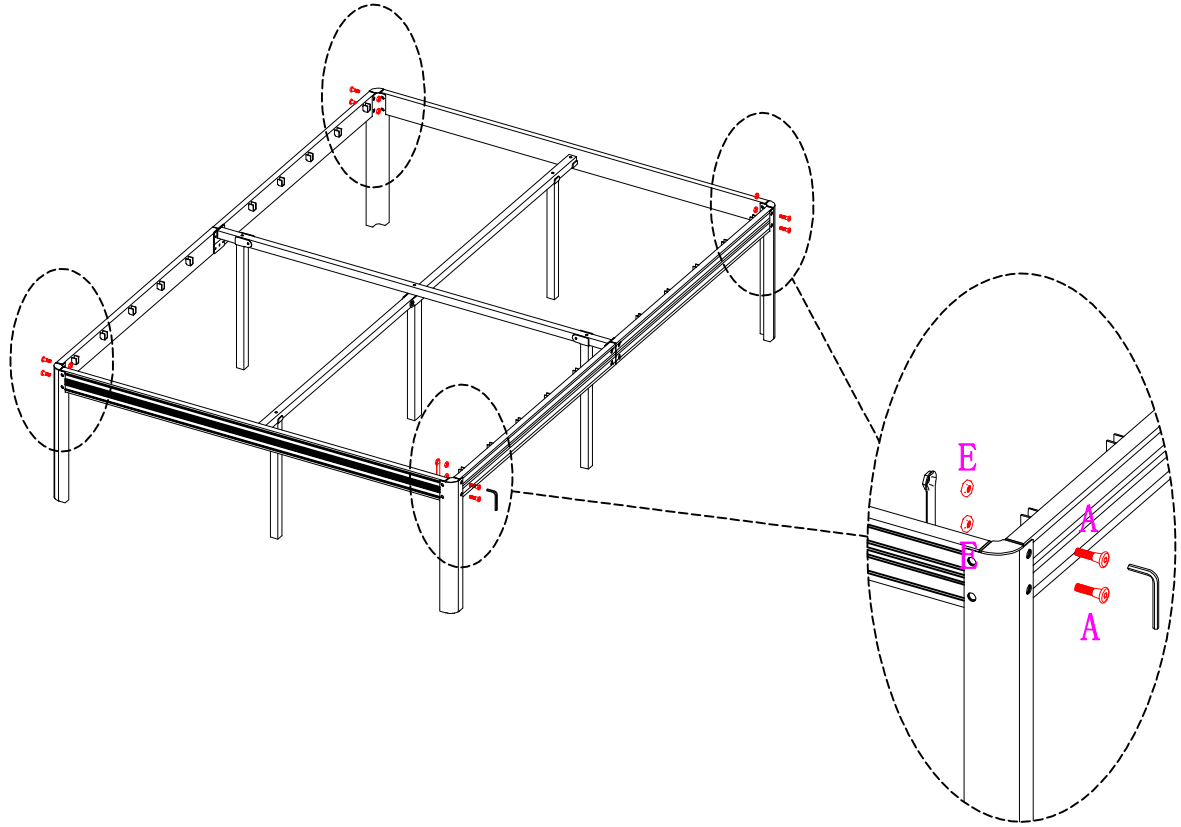
Step8



Step9

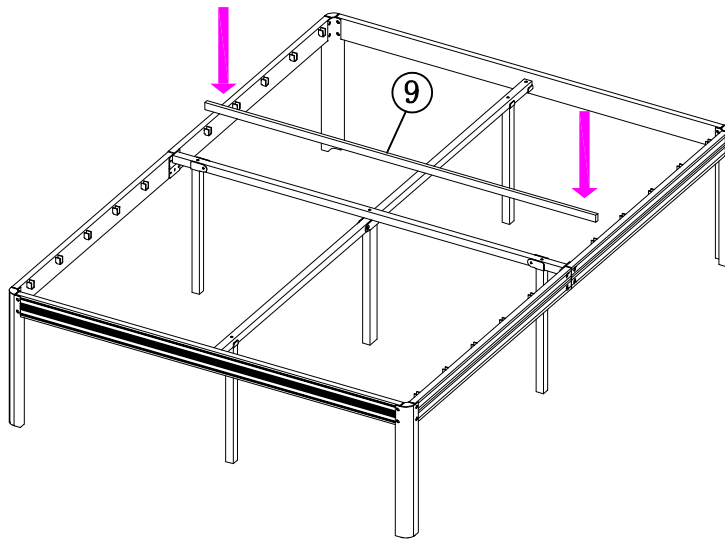
M8*32
A*8PCS

M8
E*8PCS

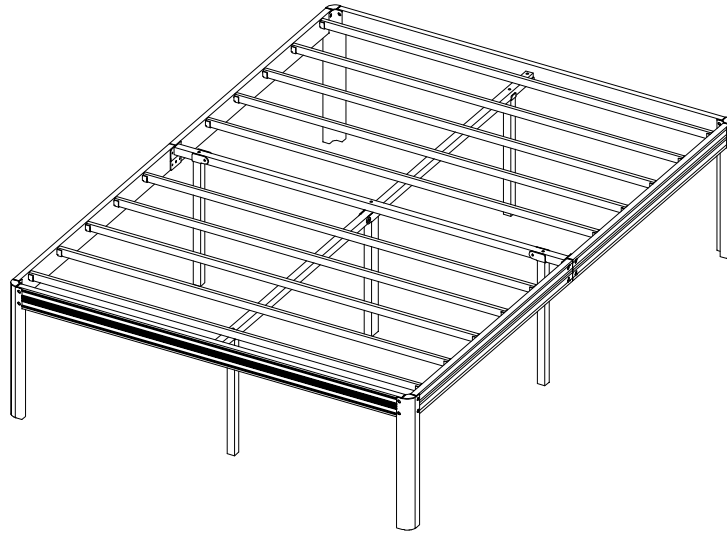


Step10

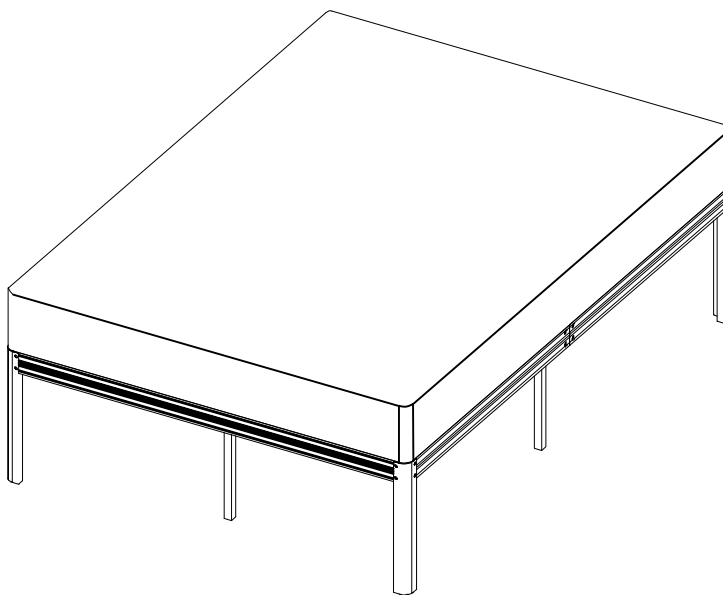
⑨*10



Step11



Step12



In the last step. please make sure all the screws are tightened.