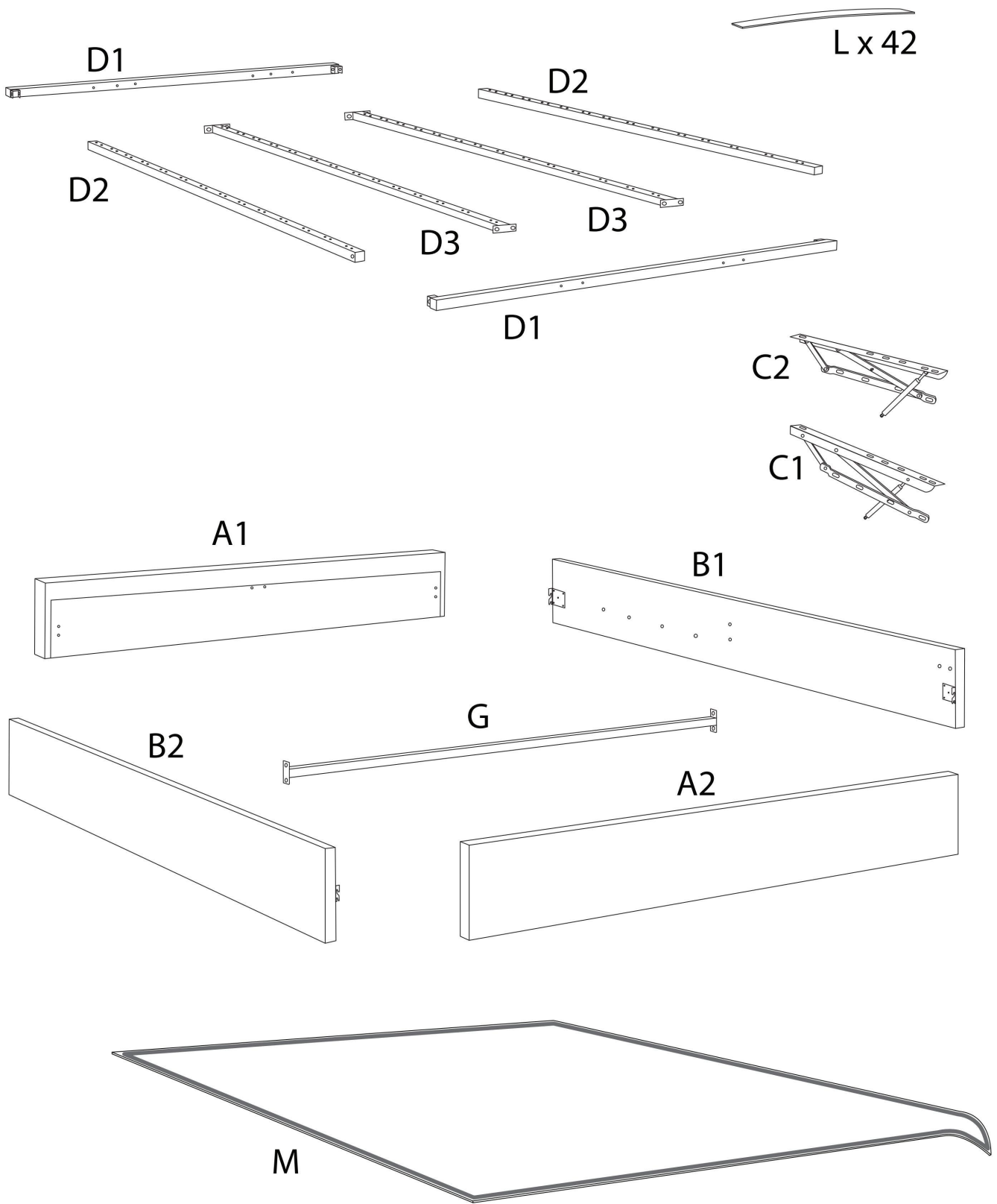
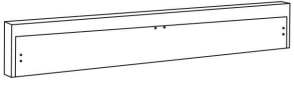
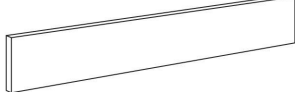
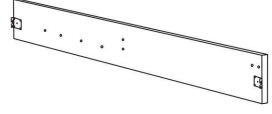
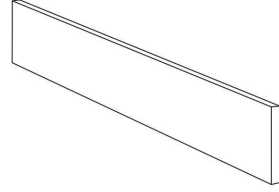
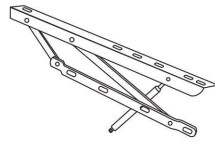
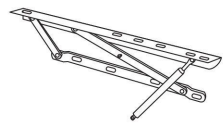

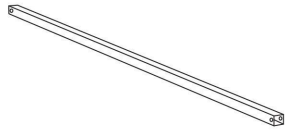
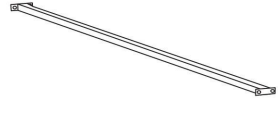



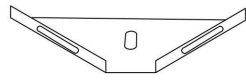
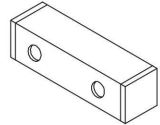
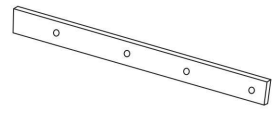

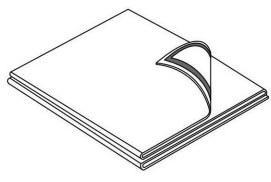
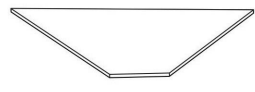
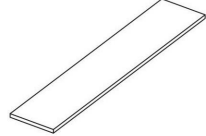
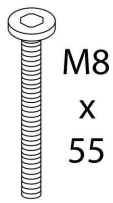

		2



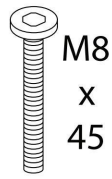
<p>A1</p>  <p>x 1</p>	<p>A2</p>  <p>x 1</p>	<p>B1</p>  <p>x 1</p>	<p>B2</p>  <p>x 1</p>
<p>C1</p>  <p>x 1</p>	<p>C2</p>  <p>x 1</p>	<p>D1</p>  <p>x 2</p>	<p>D2</p>  <p>x 2</p>
<p>D3</p>  <p>x 2</p>	<p>E</p>  <p>x 2</p>	<p>F</p>  <p>x 1</p>	<p>G</p>  <p>x 1</p>
<p>I</p>  <p>x 2</p>	<p>J</p>  <p>x 2</p>	<p>K</p>  <p>x 2</p>	<p>L</p>  <p>x 28</p>
<p>M</p>  <p>x 1</p>	<p>N</p>  <p>x 2</p>	<p>O</p>  <p>x 4</p>	

1



x 4

2



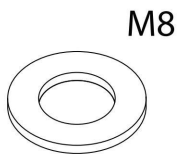
x 18

3



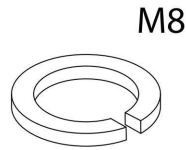
x 8

4



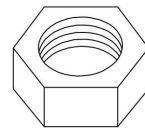
x 30

5



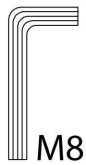
x 30

6



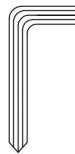
x 18

7



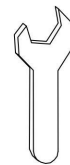
x 1

8



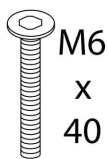
x 1

9



x 1

10



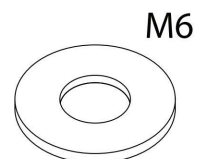
x 8

11



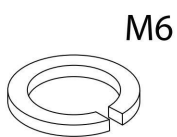
x 12

12



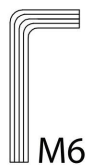
x 20

13



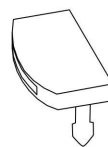
x 20

14



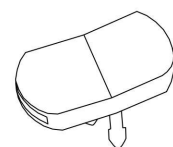
x 1

15



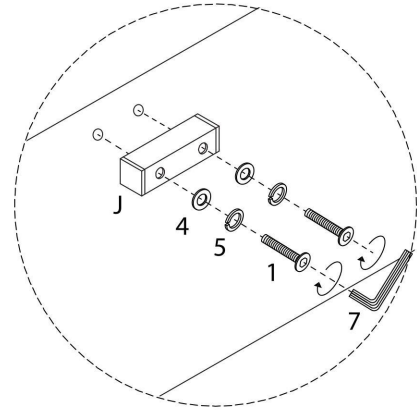
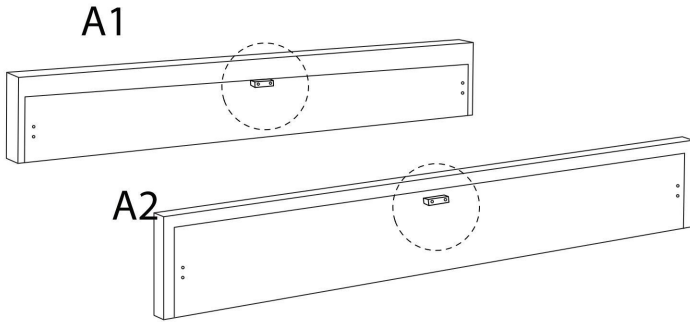
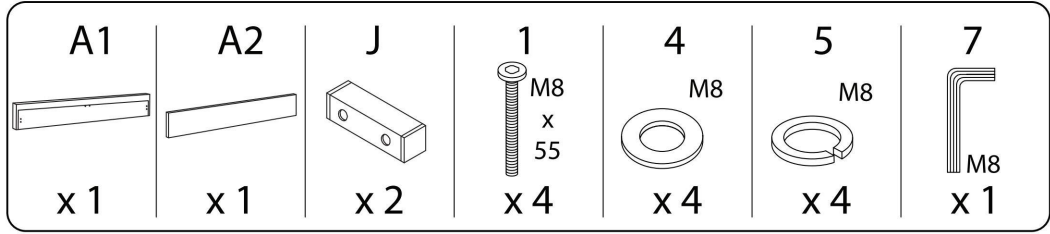
x 28

16

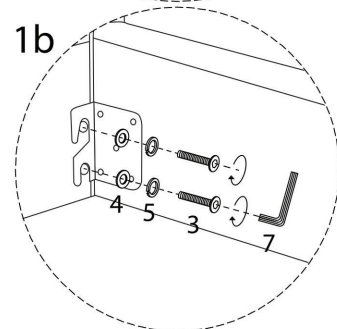
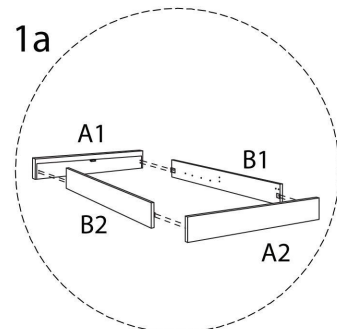
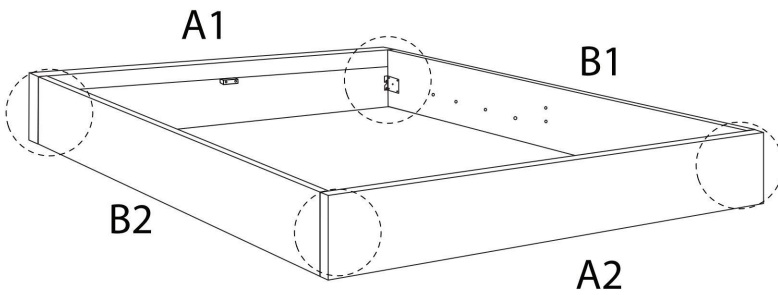
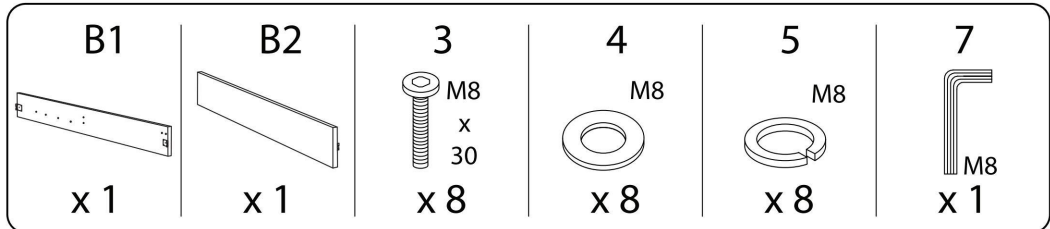


x 28

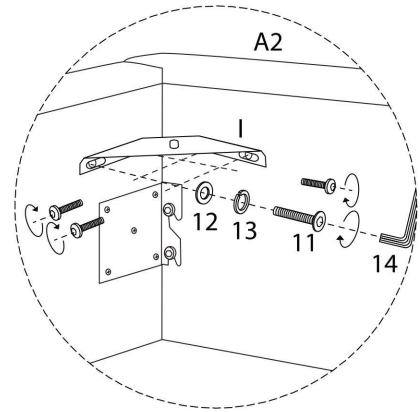
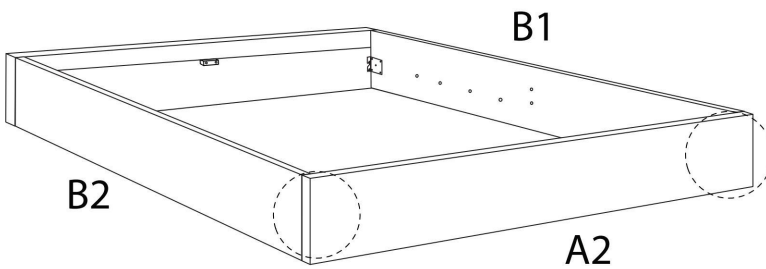
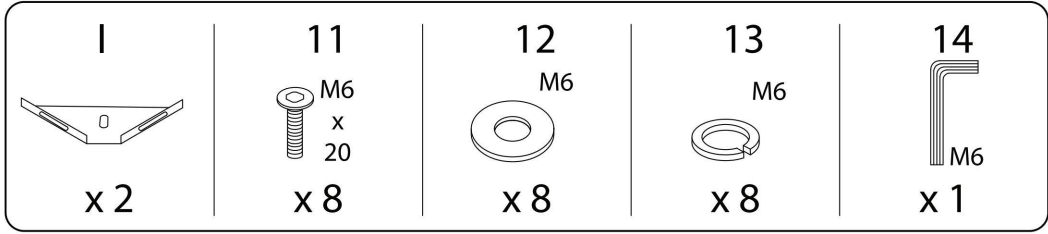
1



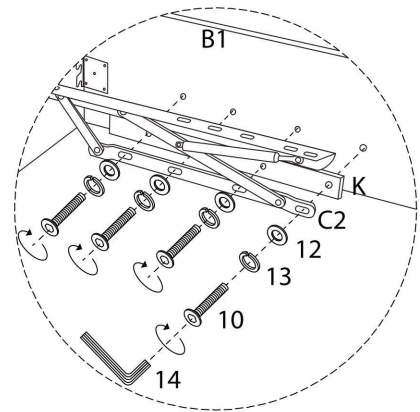
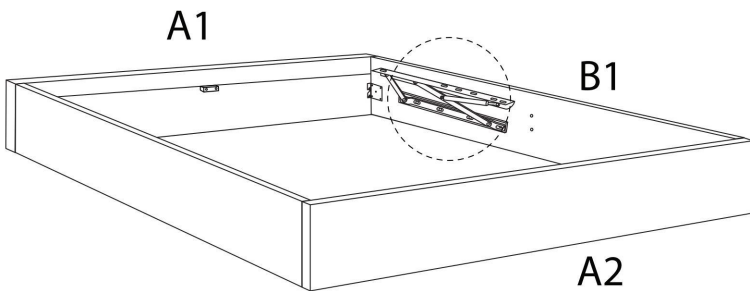
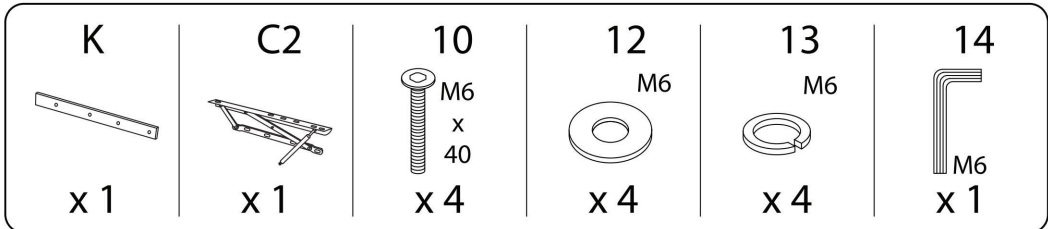
2



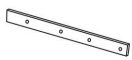
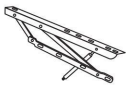



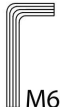
3

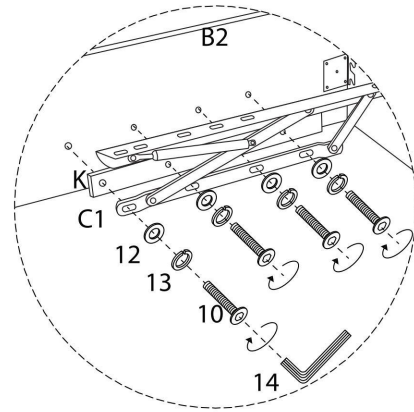
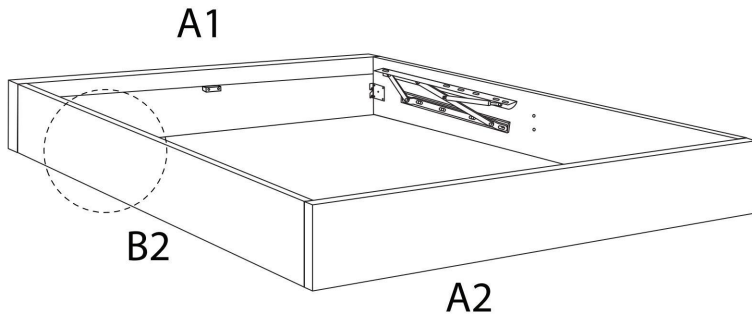


4





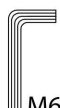


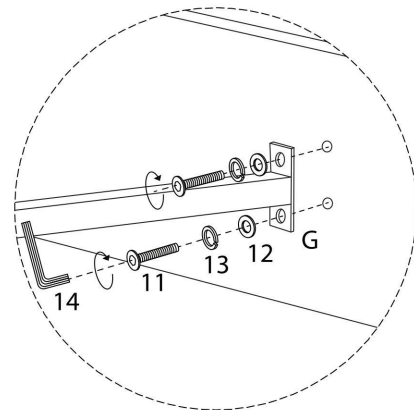
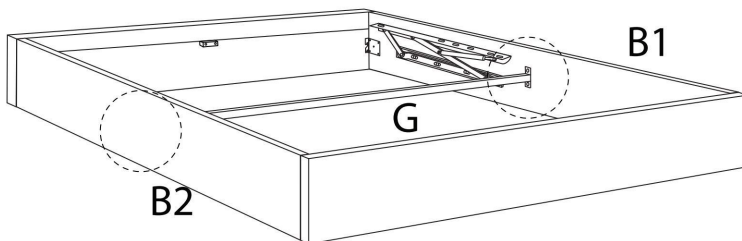
5

K  x 1	C1  x 1	10 M6 x 40  x 4	12 M6  x 4	13 M6  x 4	14 M6  x 1
--	---	--	--	---	---

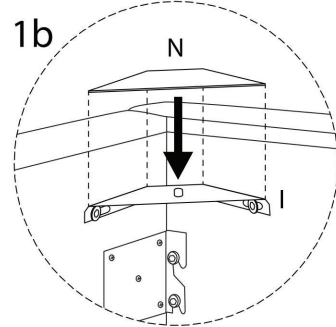
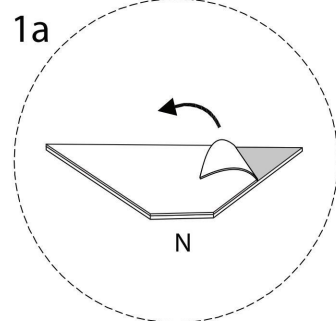
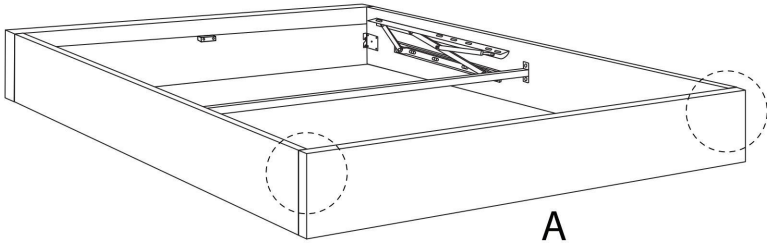
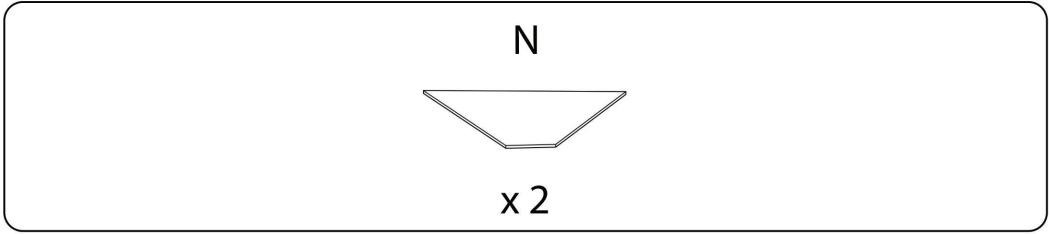


6

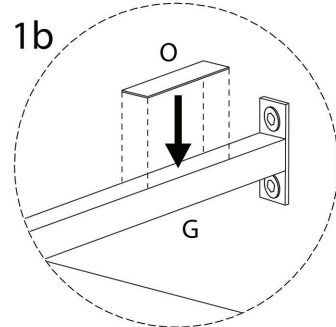
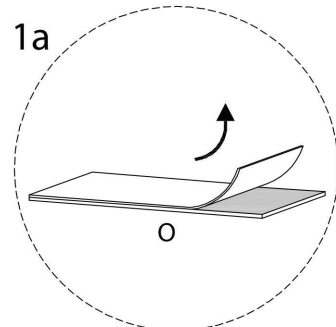
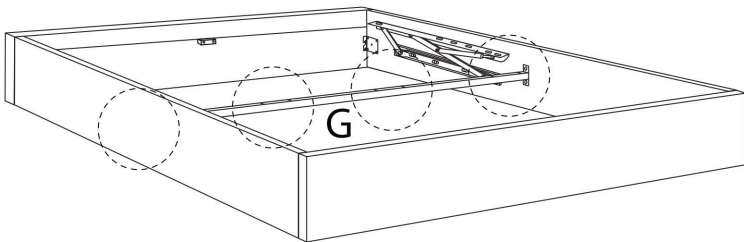
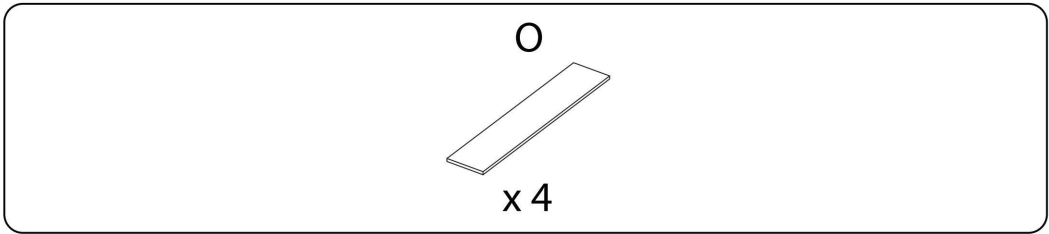
G  x 1	11 M6 x 20  x 4	12 M6  x 4	13 M6  x 4	14 M6  x 1
--	--	---	---	---




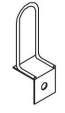
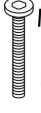
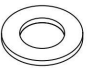
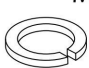
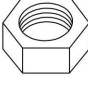


7

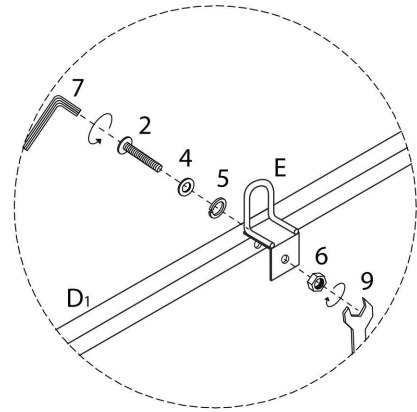


8

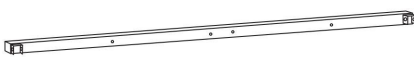



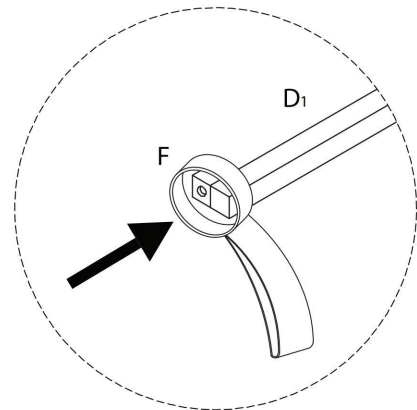
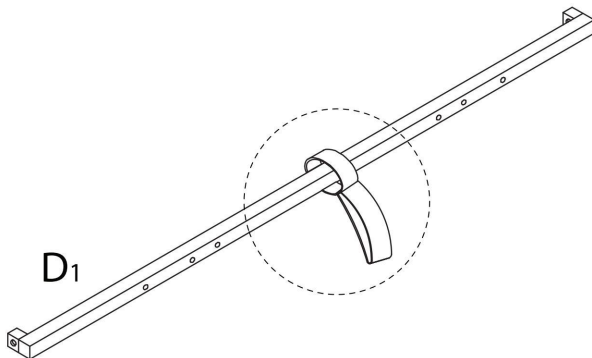
9

D ₁  x 1	E  x 2	2 M8 x 45  x 2	4 M8  x 2	5 M8  x 2	6  x 2	7 M8  x 1	9  x 1
--	---	--	---	---	---	---	---


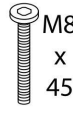

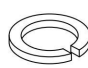
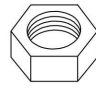




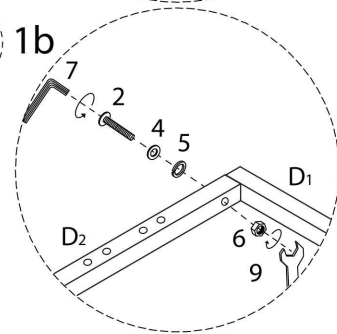
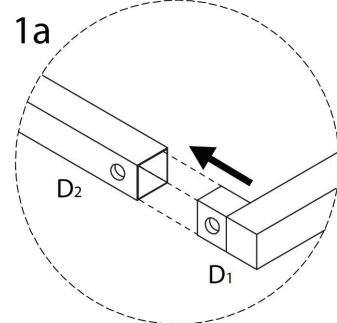
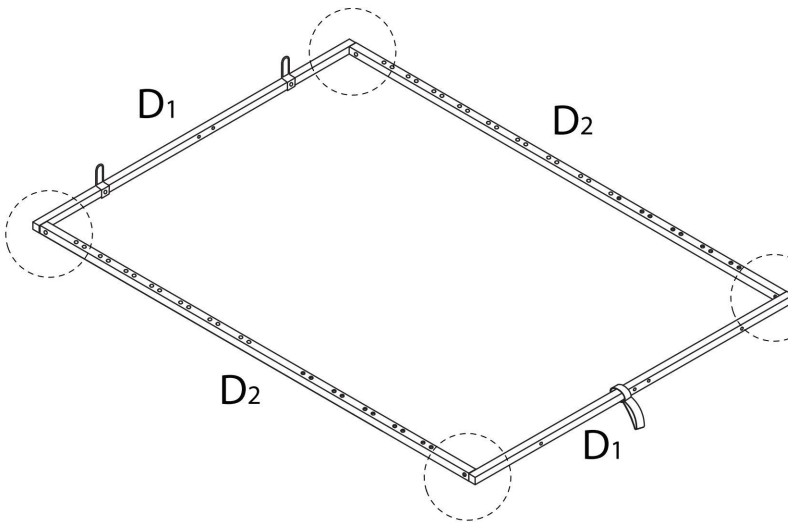
10

D ₁  x 1	F  x 1
--	---


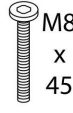

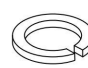
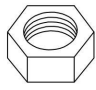




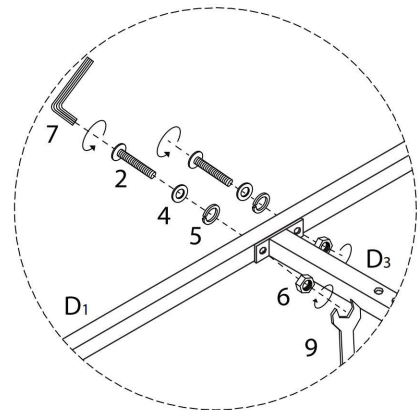
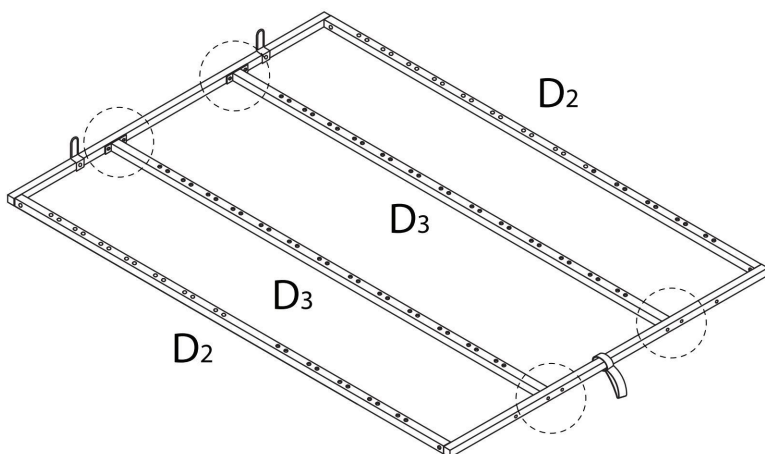
11

D ₂	2	4	5	6	7	9
						
x 2	x 4	x 4	x 4	x 4	x 1	x 1



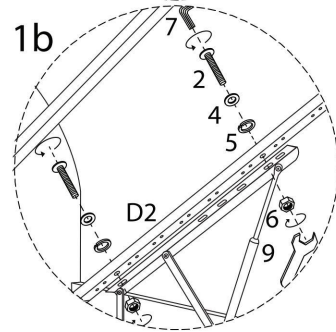
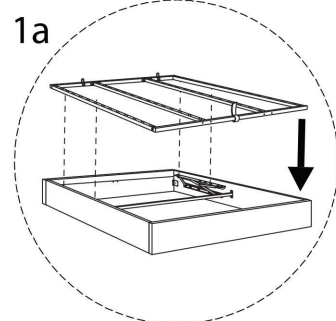
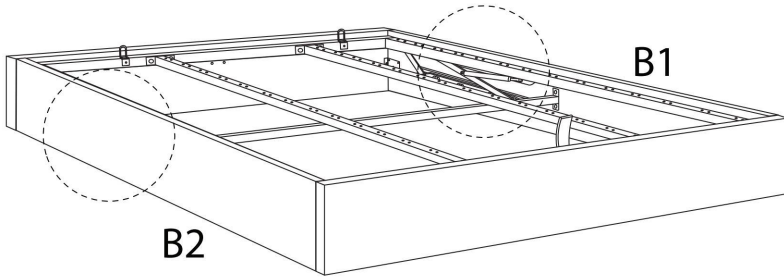
12

D ₃	2	4	5	6	7	9
						
x 2	x 8	x 8	x 8	x 8	x 1	x 1



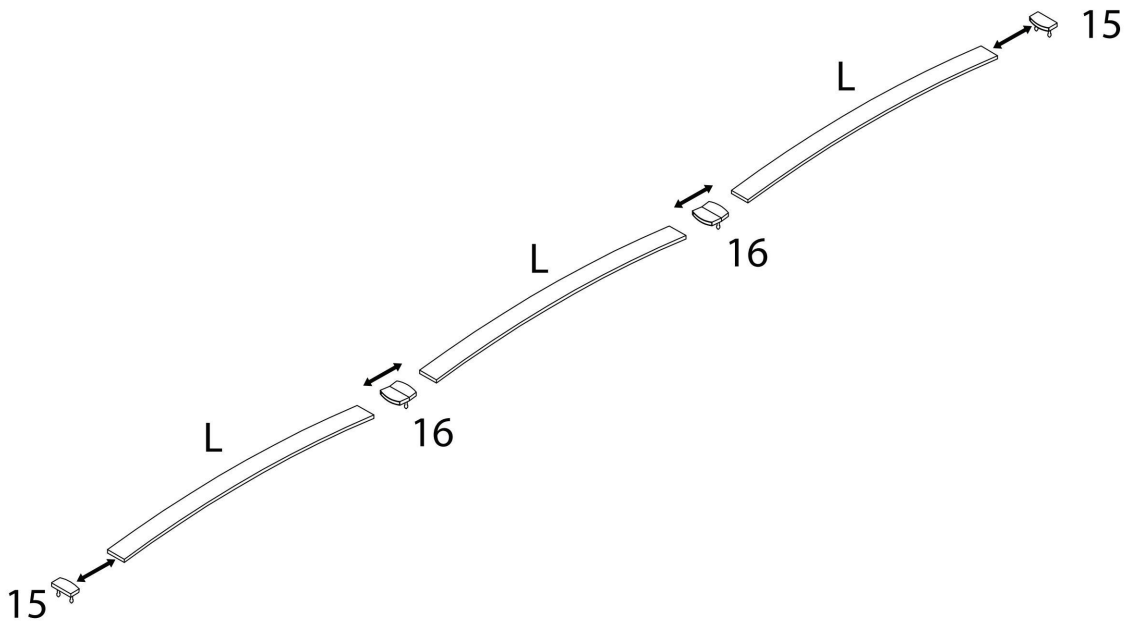
13

2 M8 x 45 x 4	4 M8 x 4	5 M8 x 4	6 x 4	7 M8 x 1	9 x 1
------------------------	----------------	----------------	----------	----------------	----------

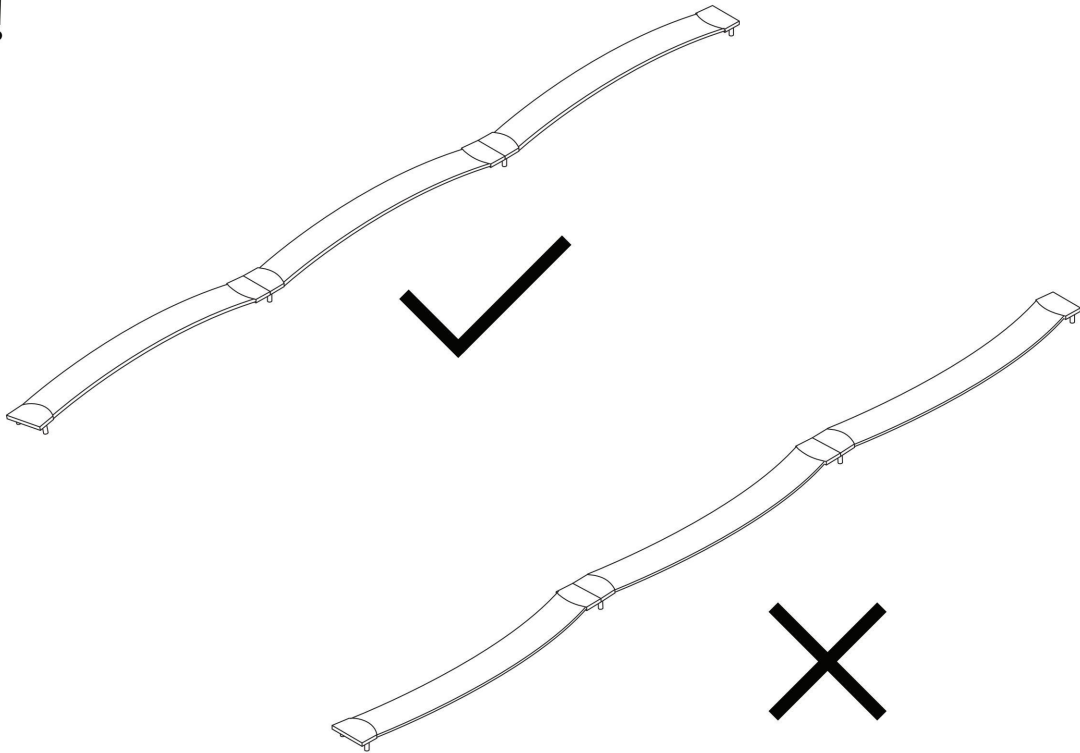


14 x 14

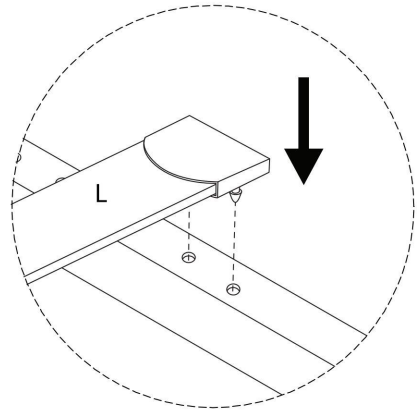
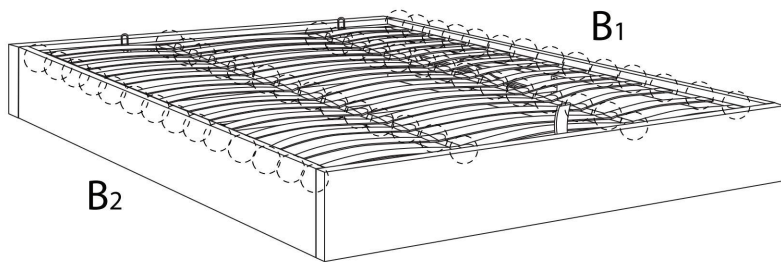
L x 2	15 x 2	16 x 2
----------	-----------	-----------



!

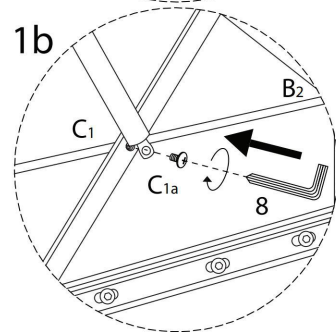
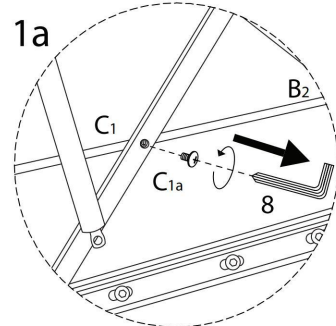
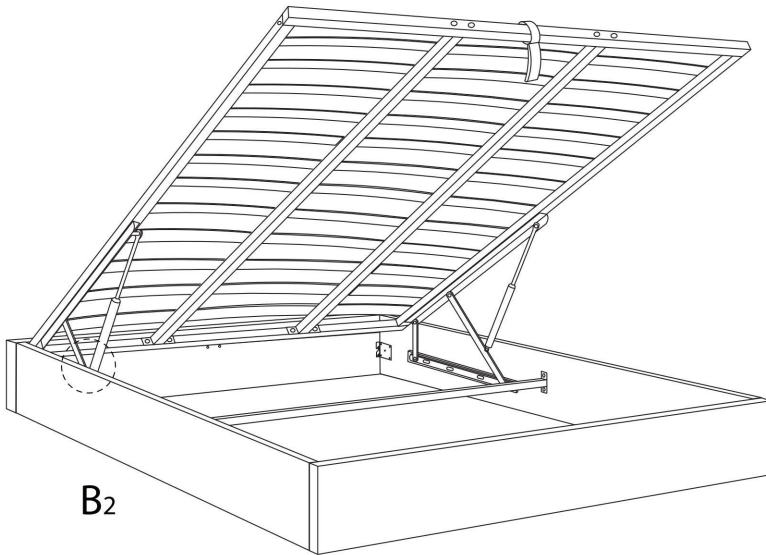


15



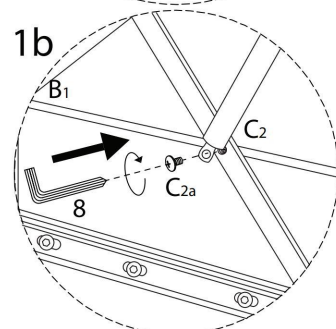
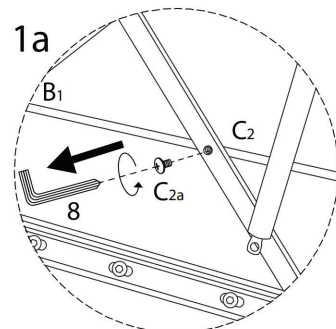
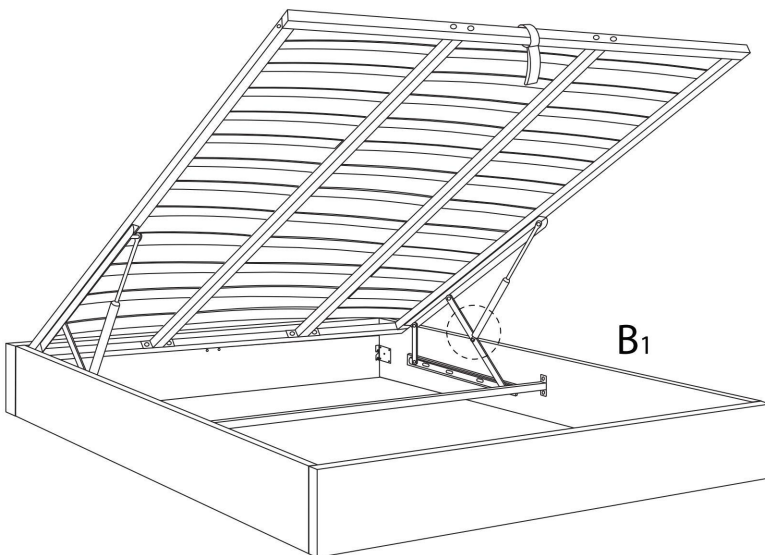
16

8
x 1



17

8
x 1



18

