
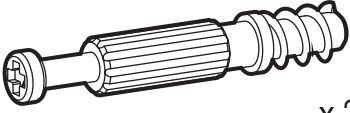
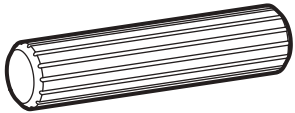

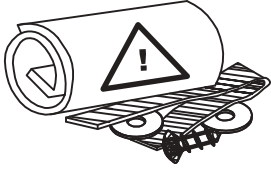
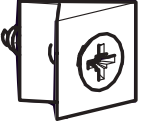
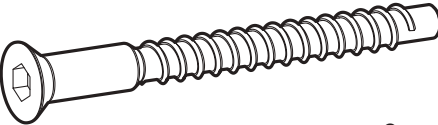
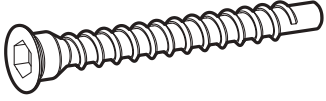

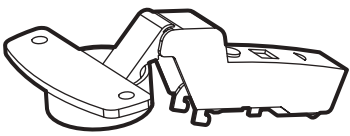
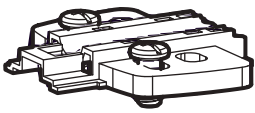

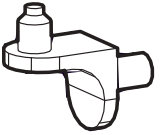
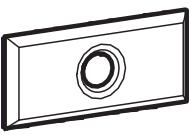
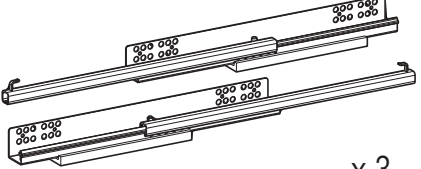


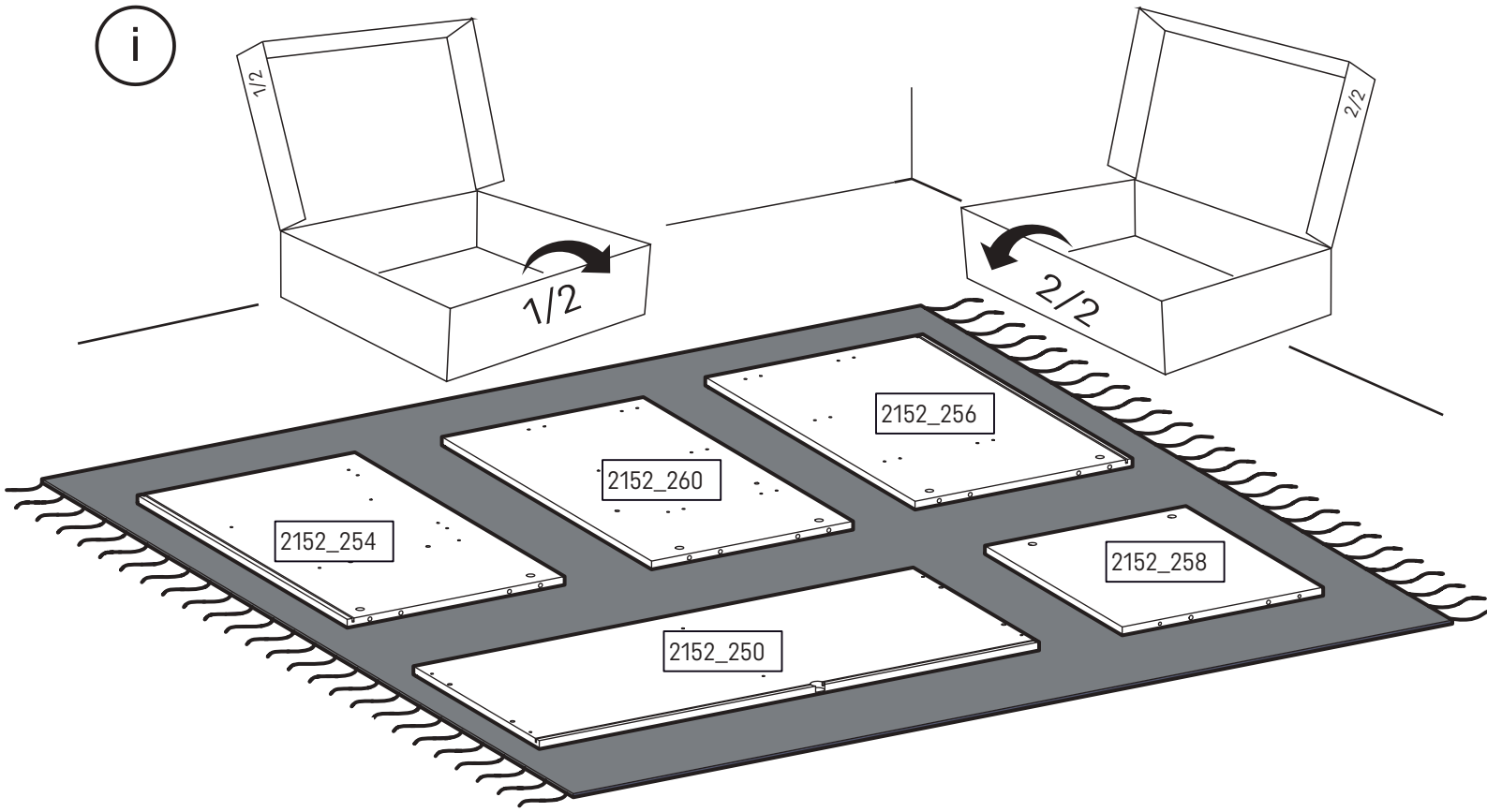
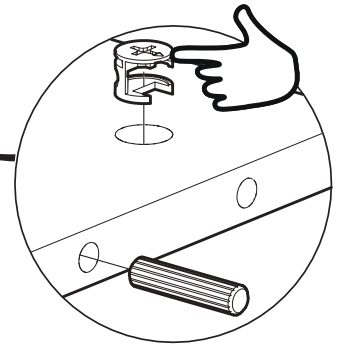
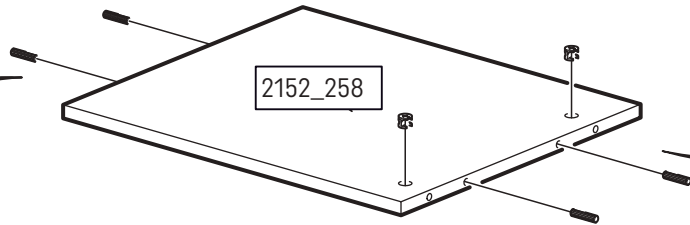
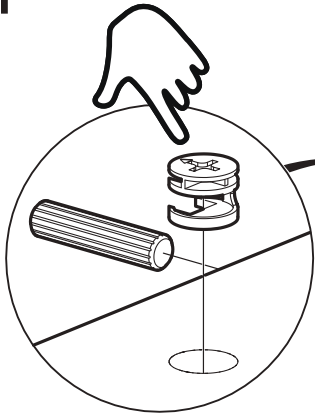
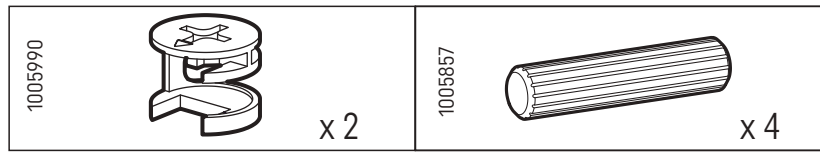


<p>1000806</p>  <p>x 1</p>	<p>1006091</p>  <p>x 20</p>	<p>1005857</p>  <p>x 28</p>
<p>1005990</p>  <p>x 20</p>	<p>1000893</p>  <p>x 1</p>	<p>1006022</p>  <p>x 12</p>
<p>1005962</p>  <p>x 8</p>	<p>1005876</p>  <p>x 20</p>	<p>1110244</p>  <p>x 4</p>
<p>1003523</p>  <p>x 2</p>	<p>1003526</p>  <p>x 2</p>	<p>1005681</p>  <p>x 4</p>
<p>1001262</p>  <p>x 4</p>	<p>1000242</p>  <p>x 5</p>	<p>1000994</p>  <p>x 3</p>
<p>1005713</p>  <p>x 24</p>	<p>1006012</p>  <p>x 17</p>	

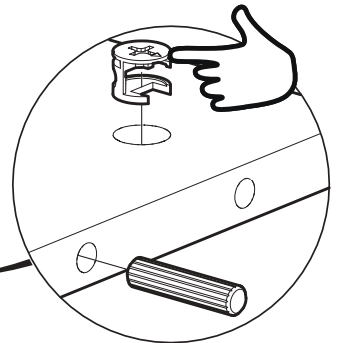
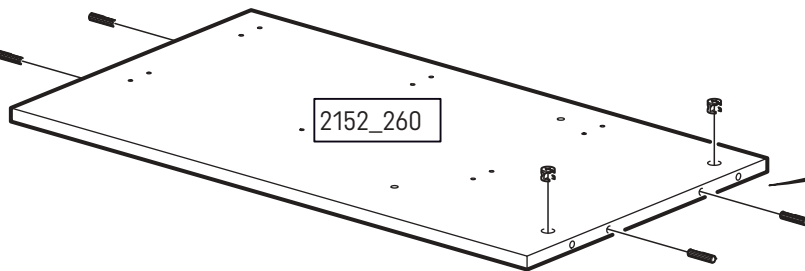
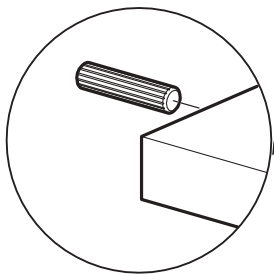
i



1

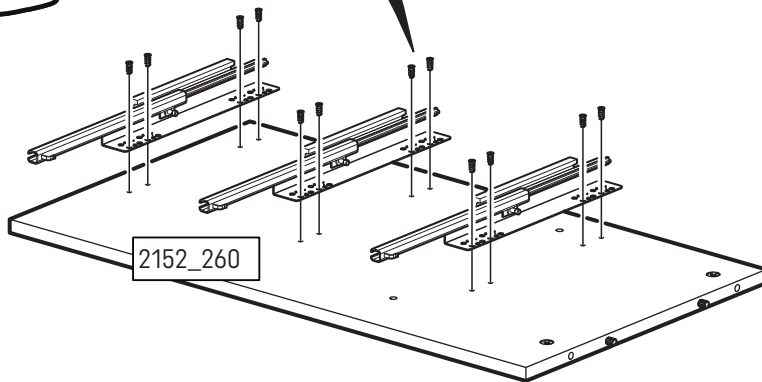
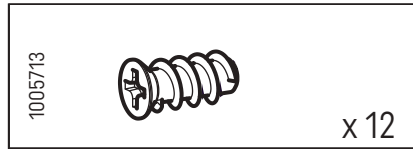
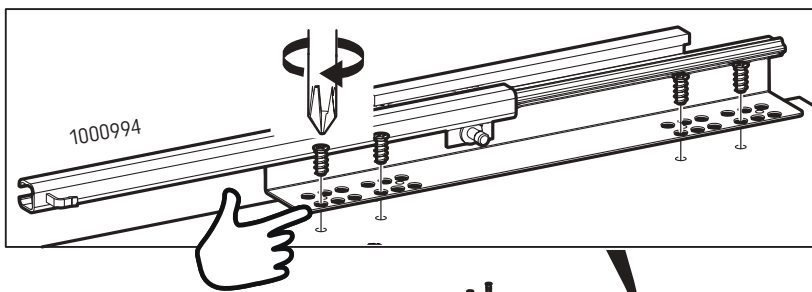


2

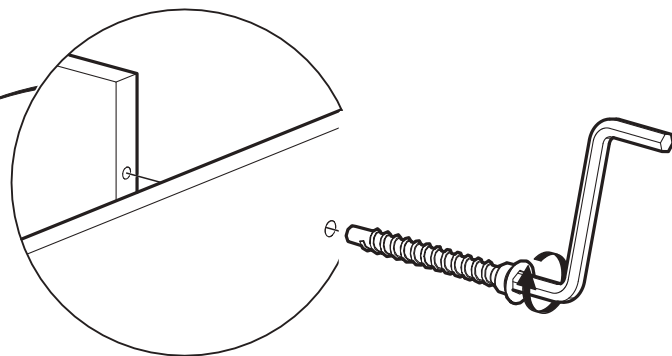
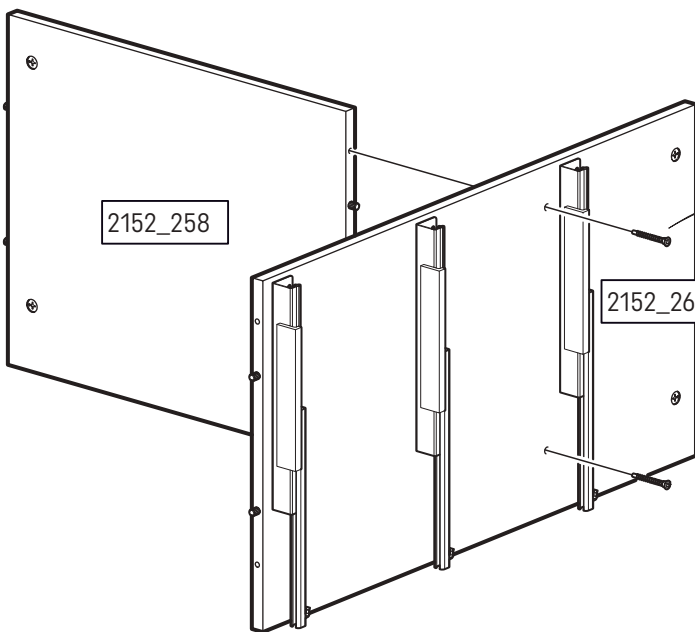
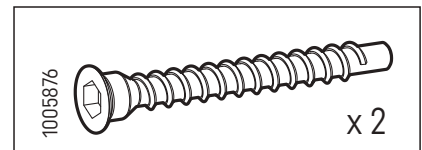


1

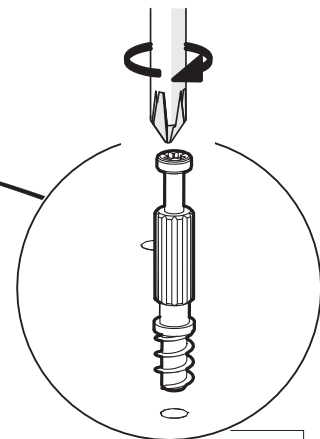
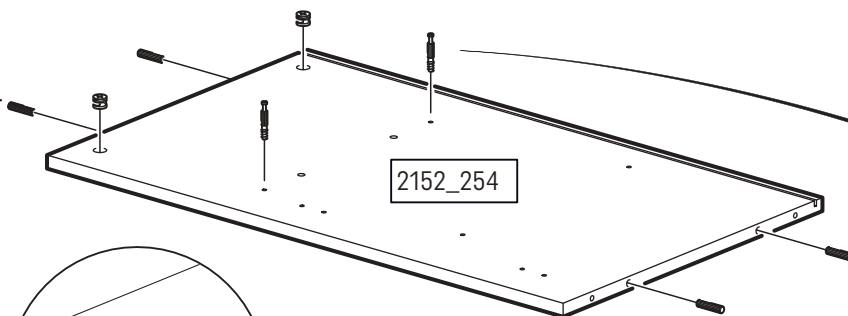
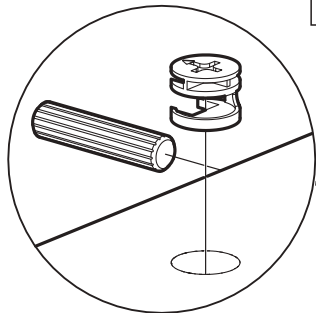
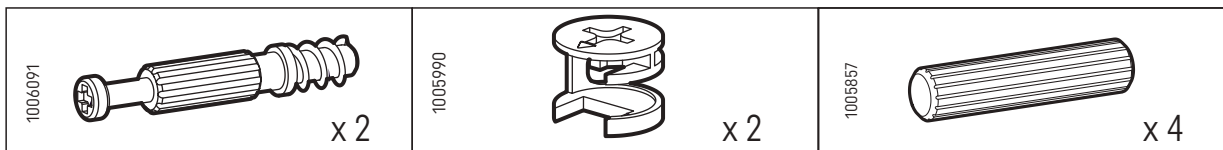
3



4

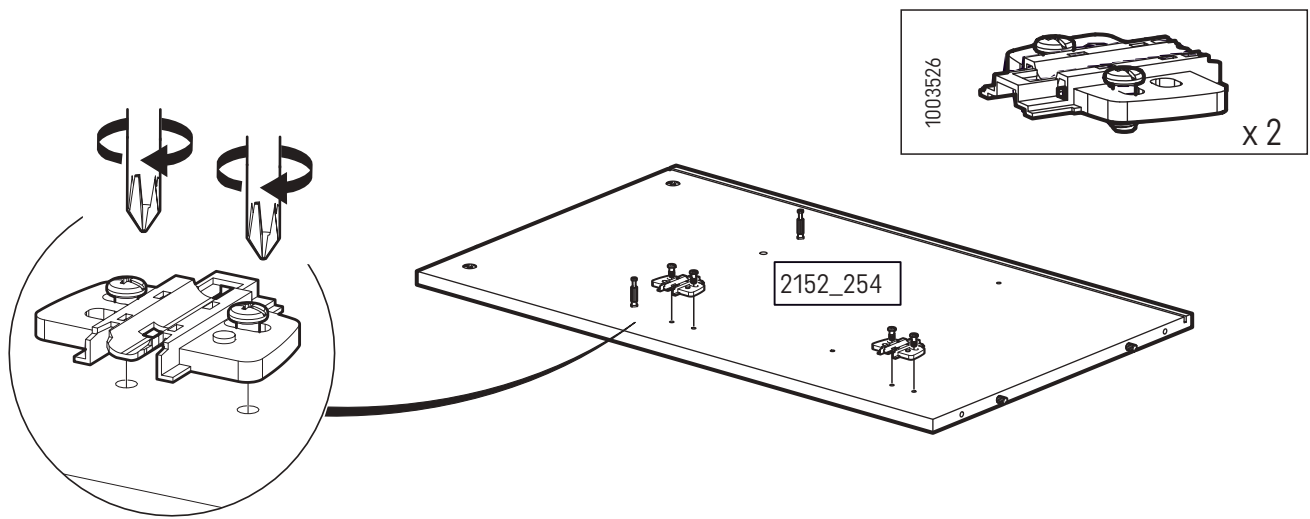


5

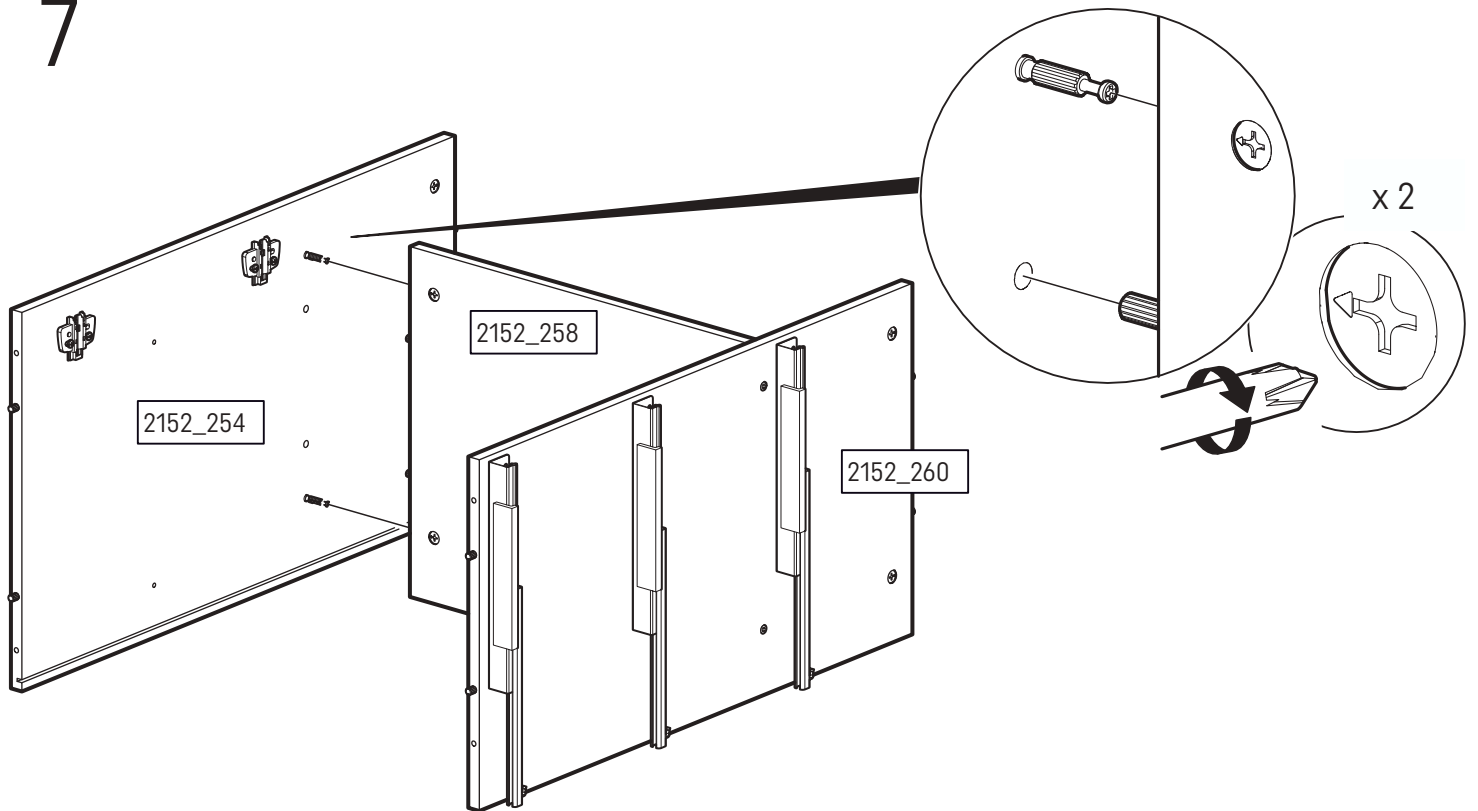


2

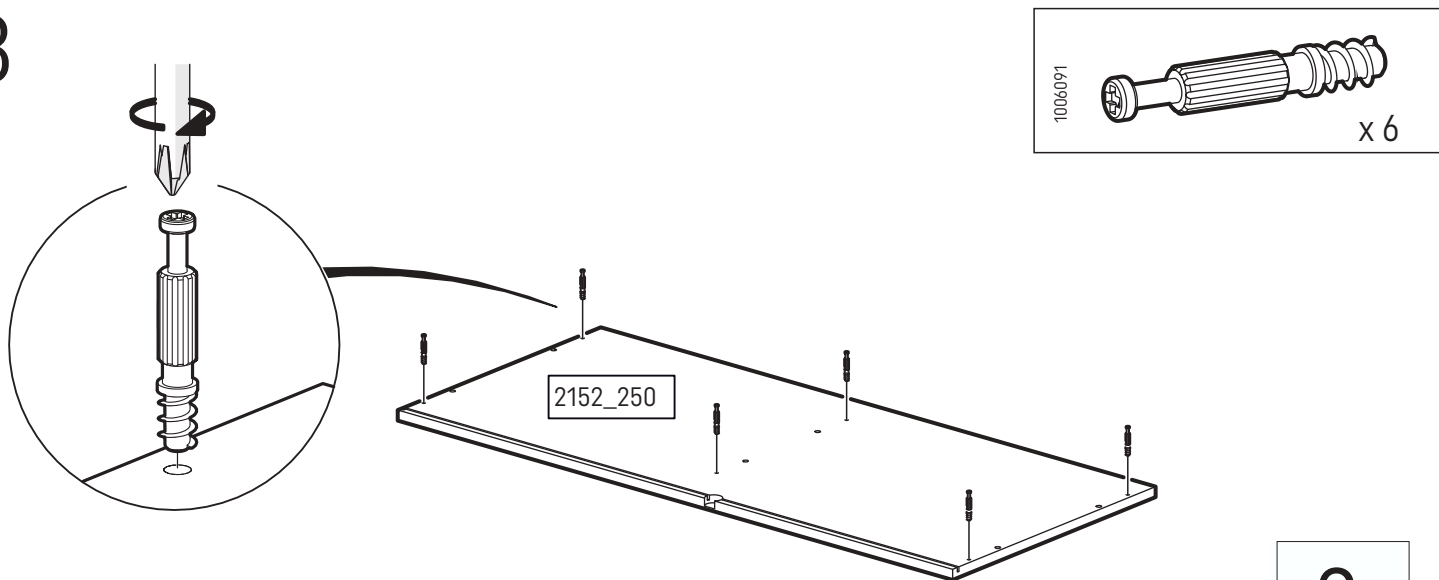
6



7

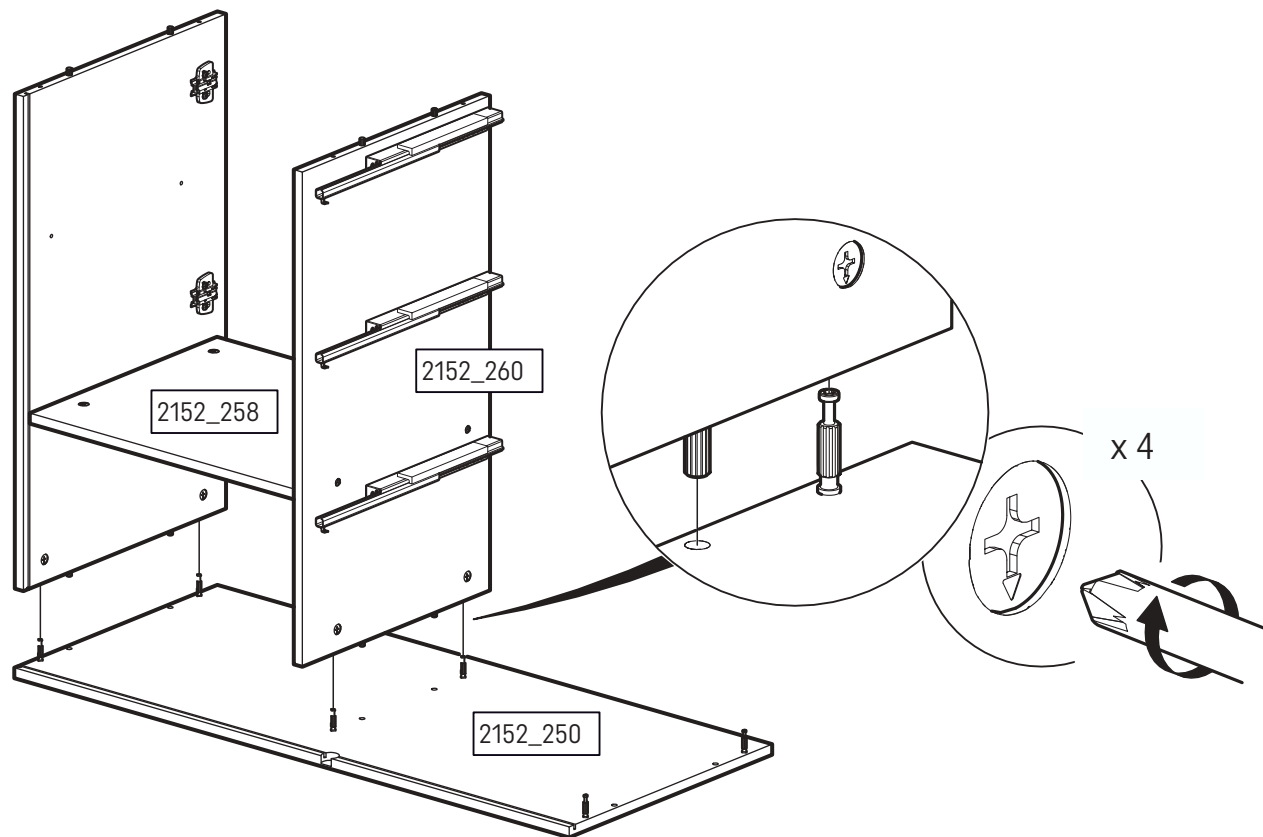


8

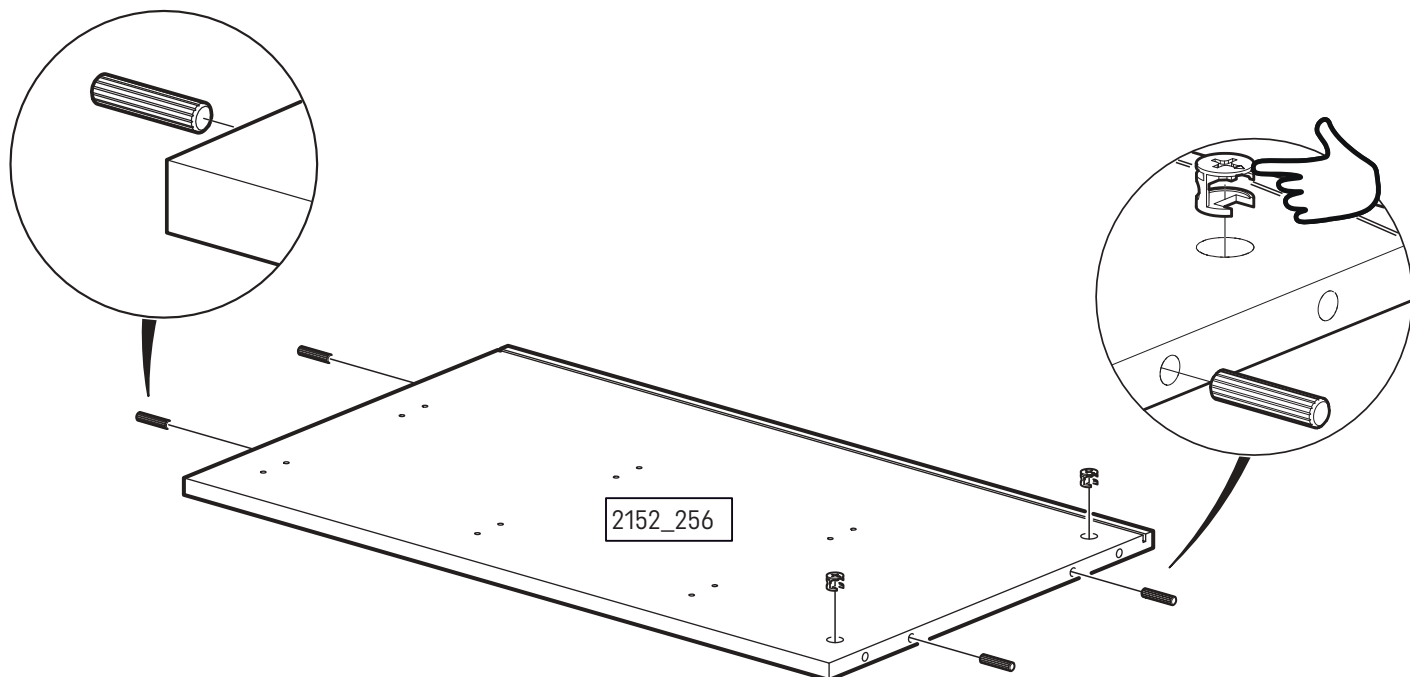
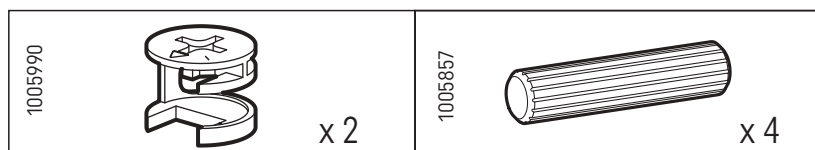


3

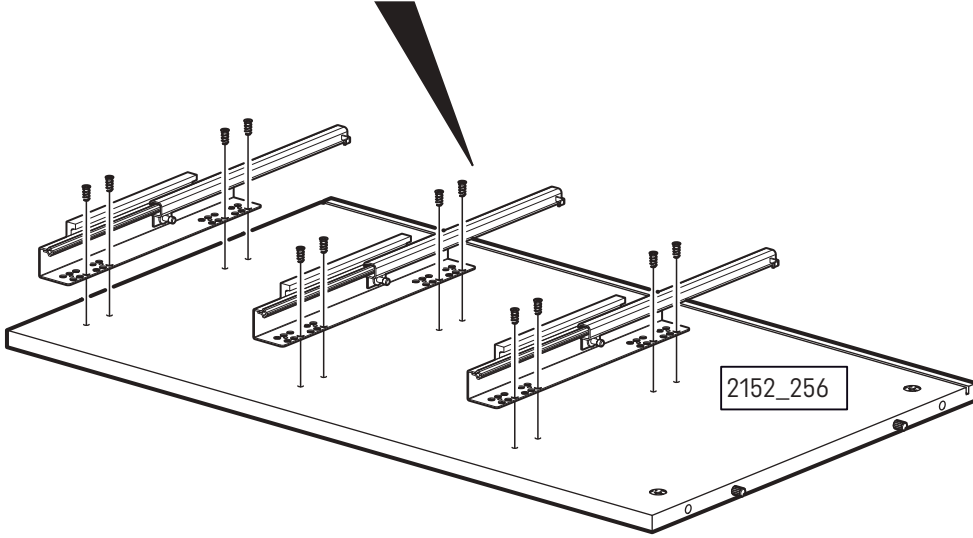
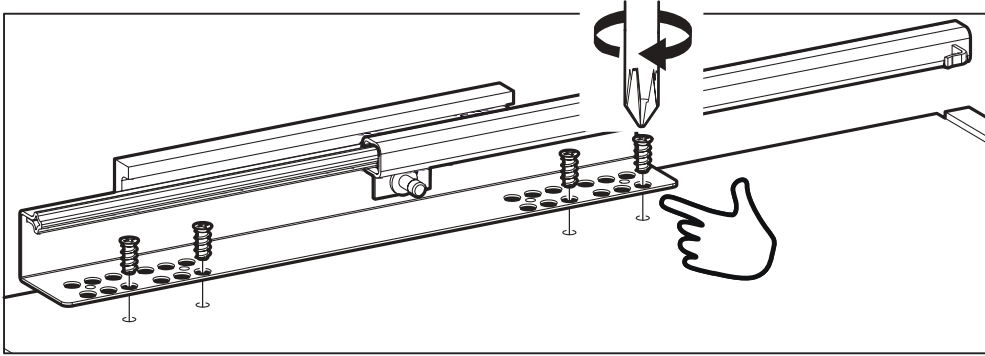
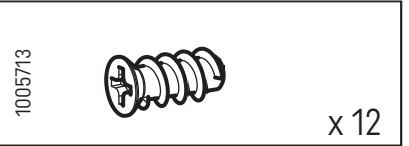
9



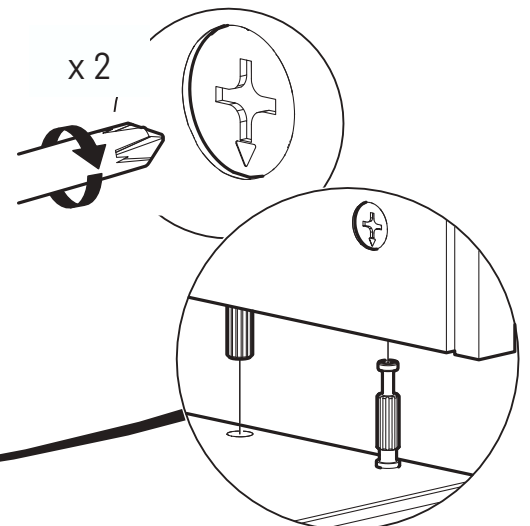
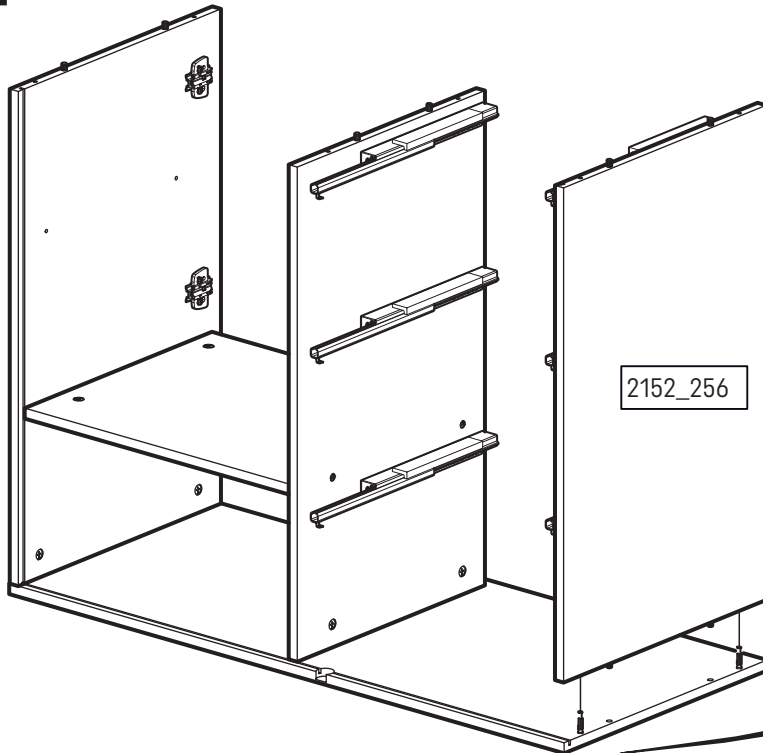
10



11

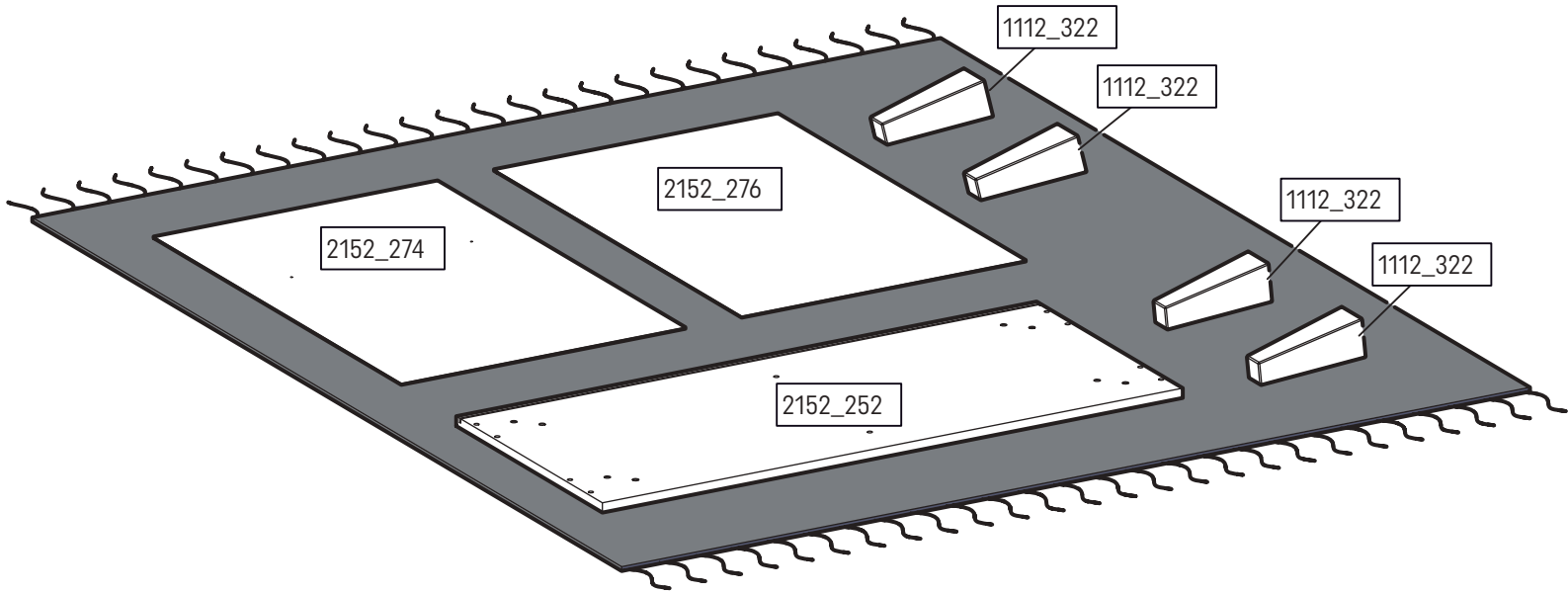
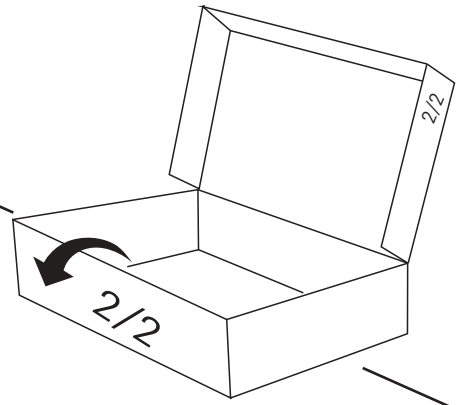
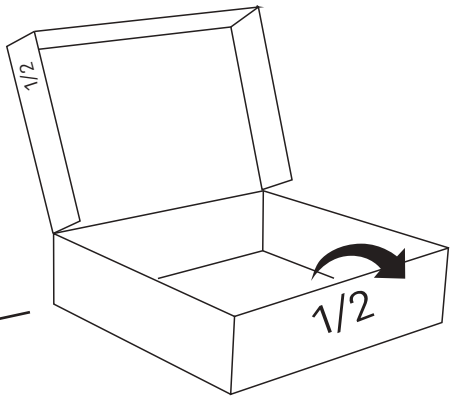


12

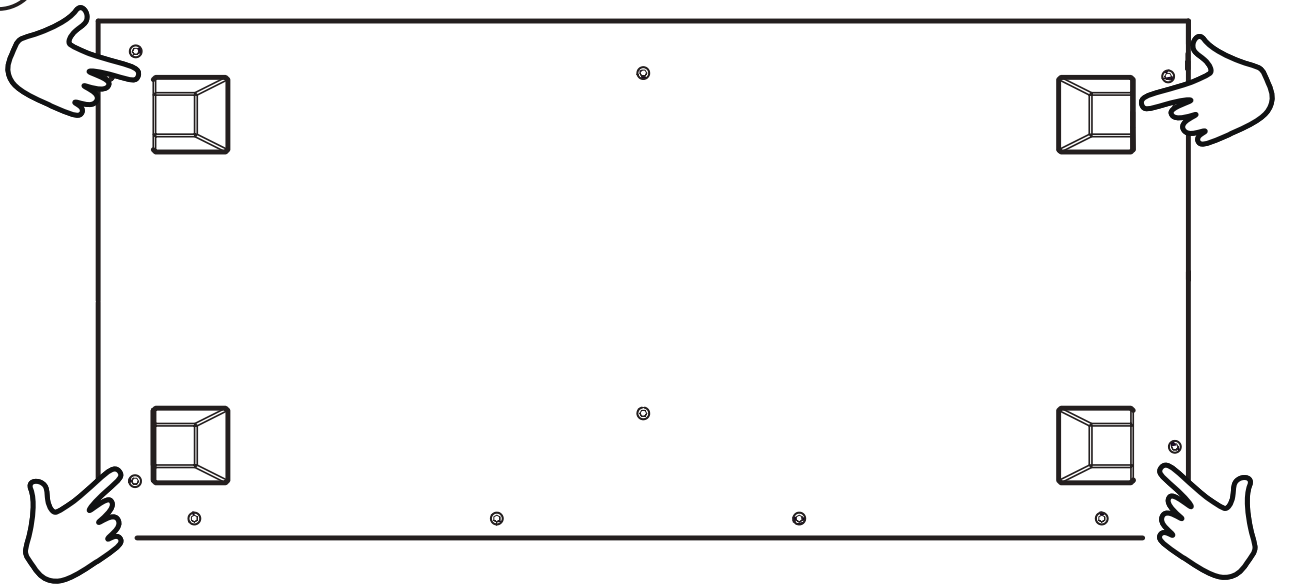


5

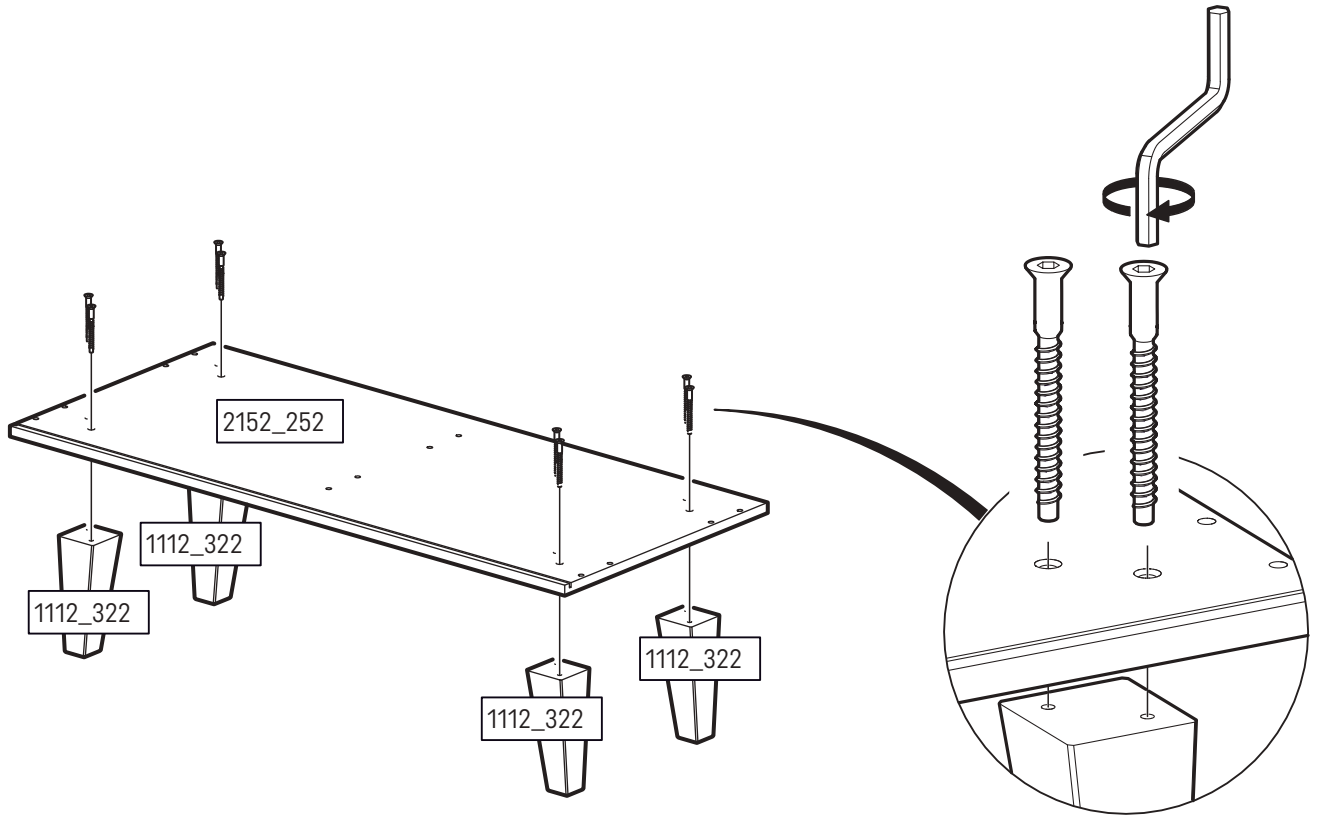
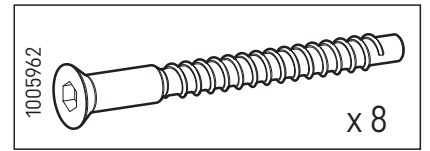
i



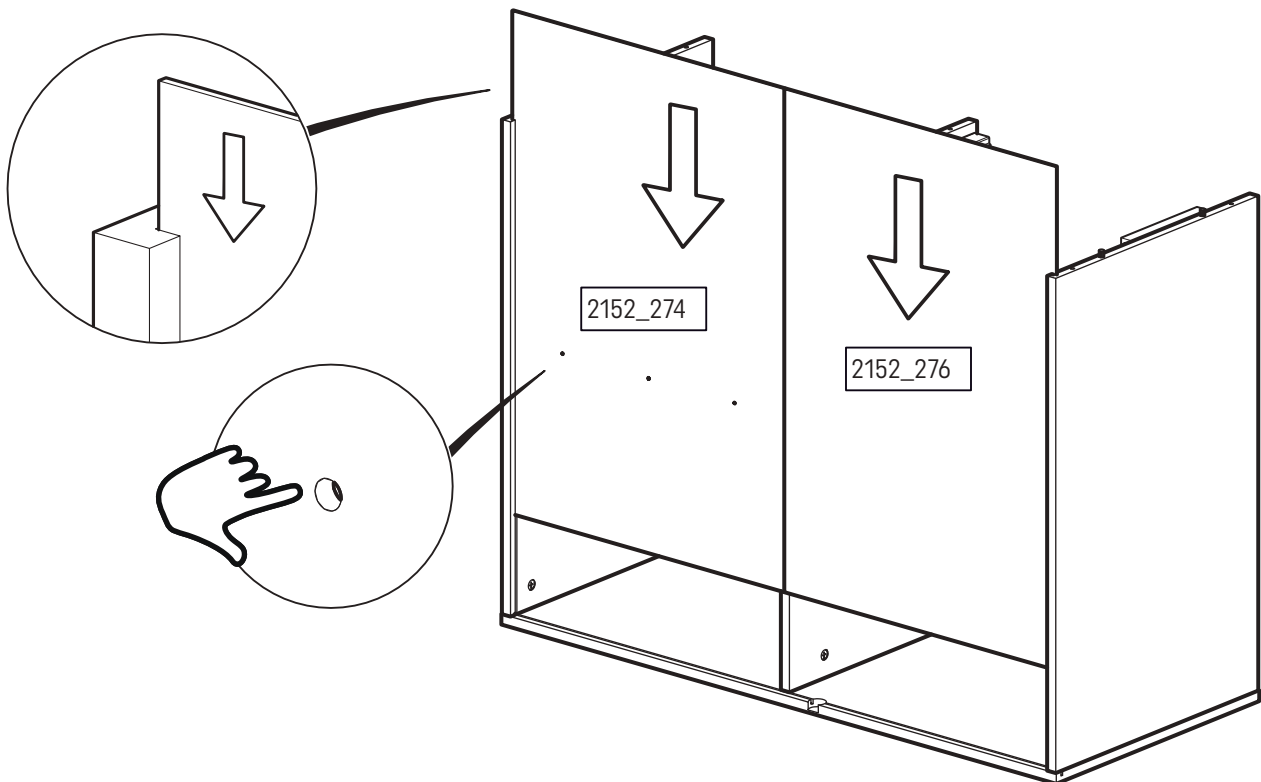
i



13

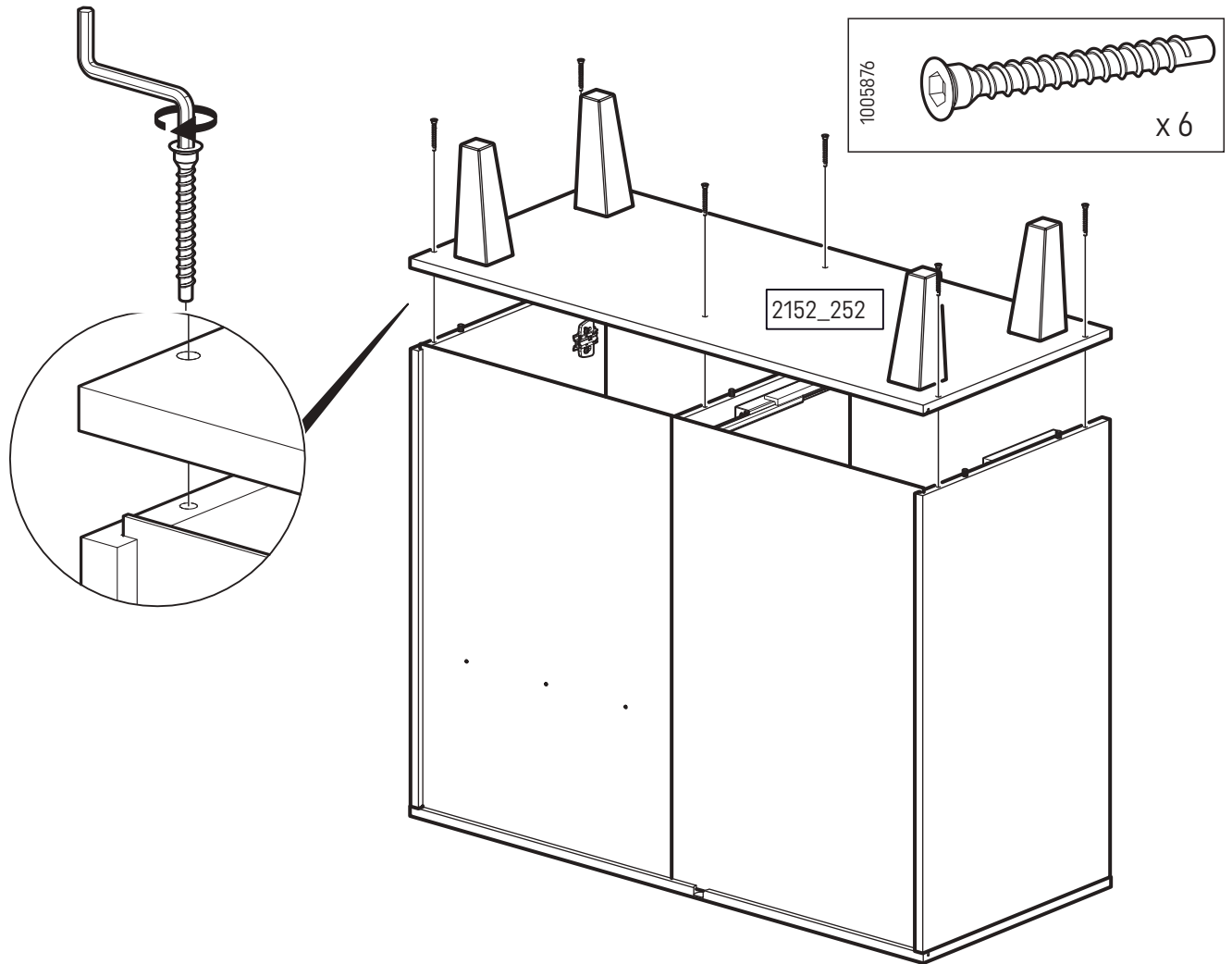


14

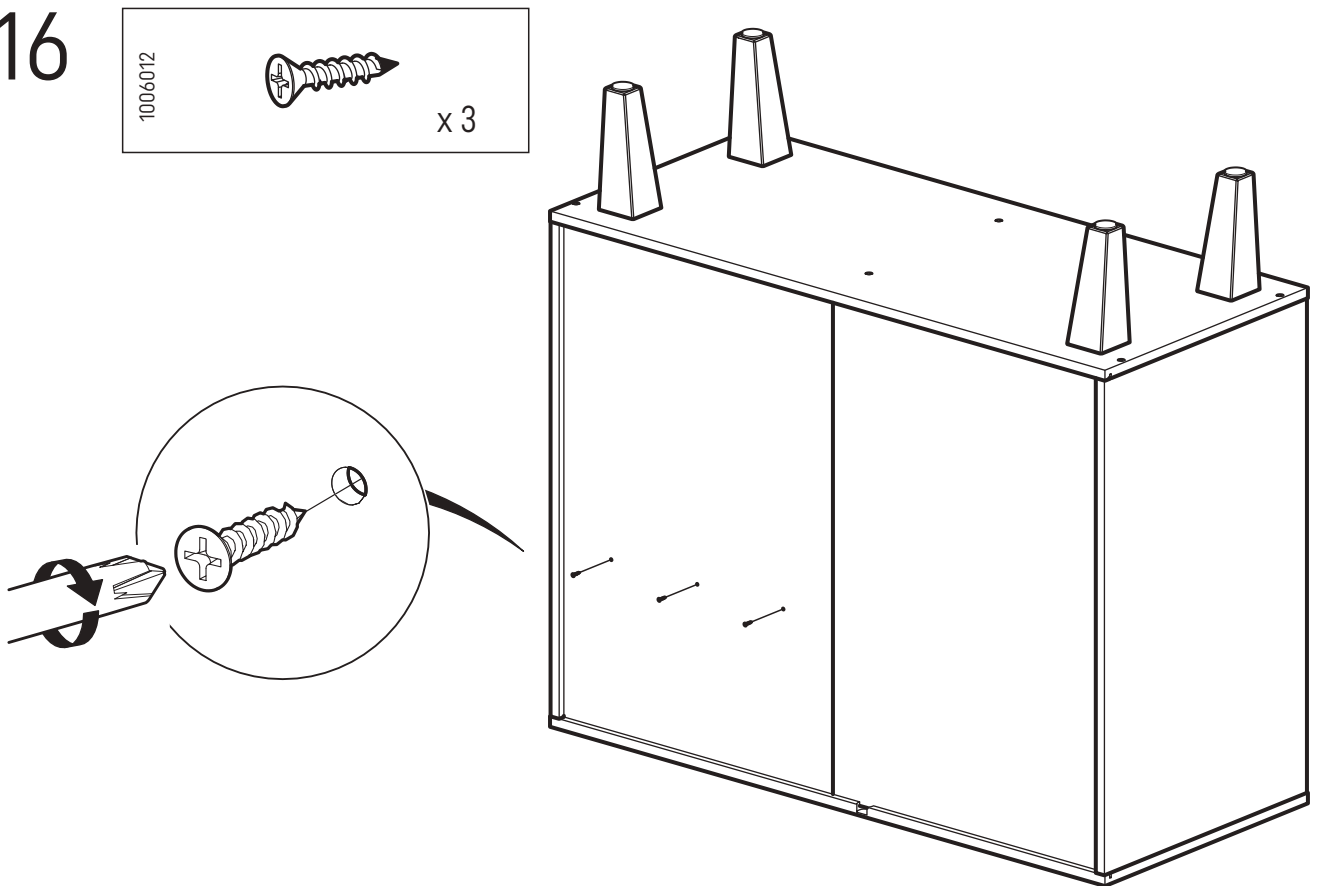


7

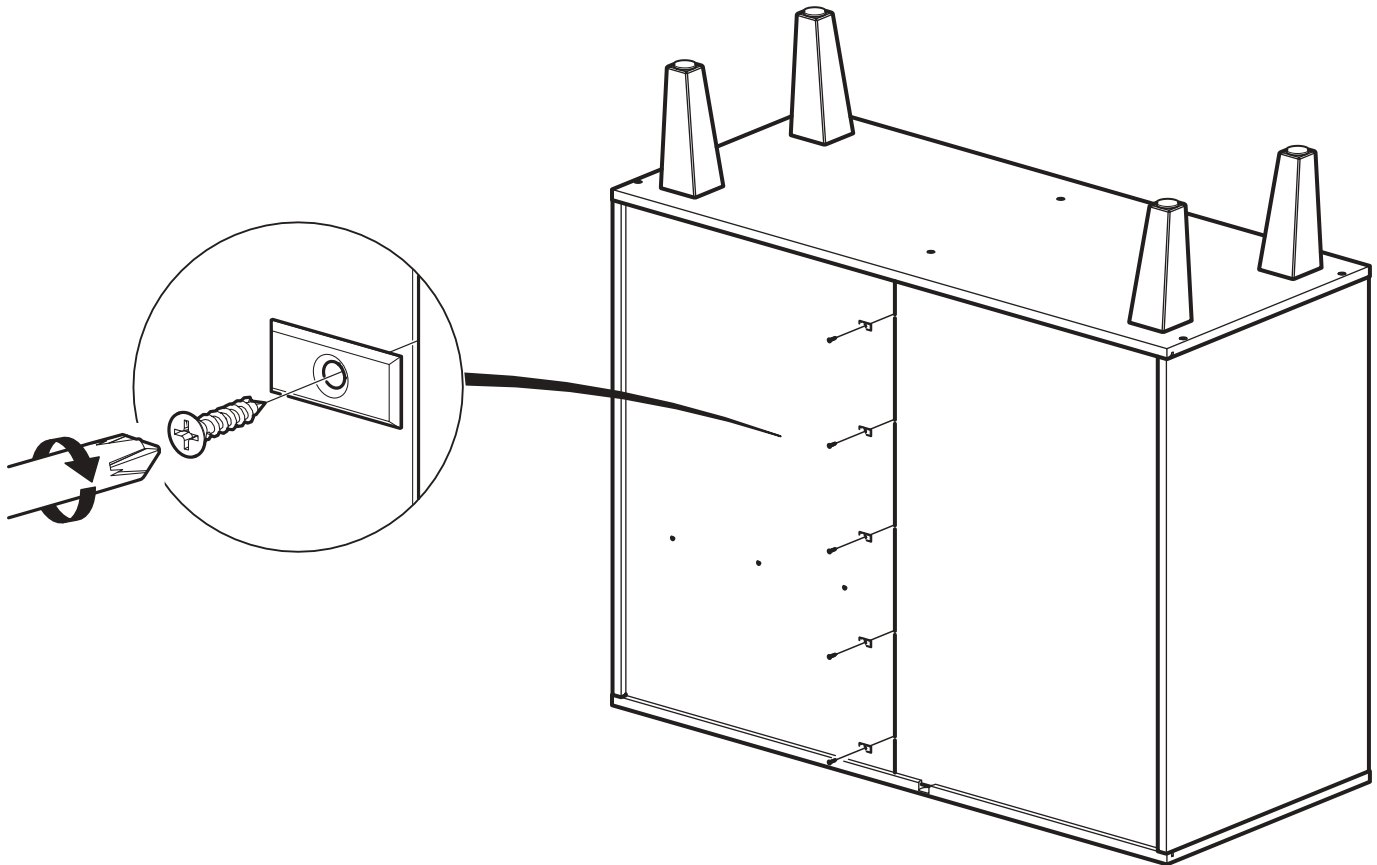
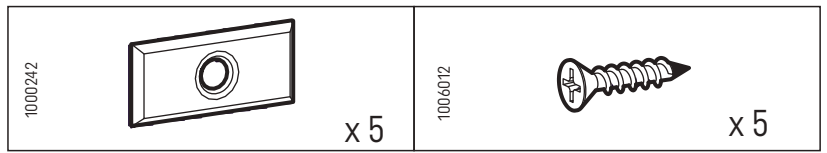
15



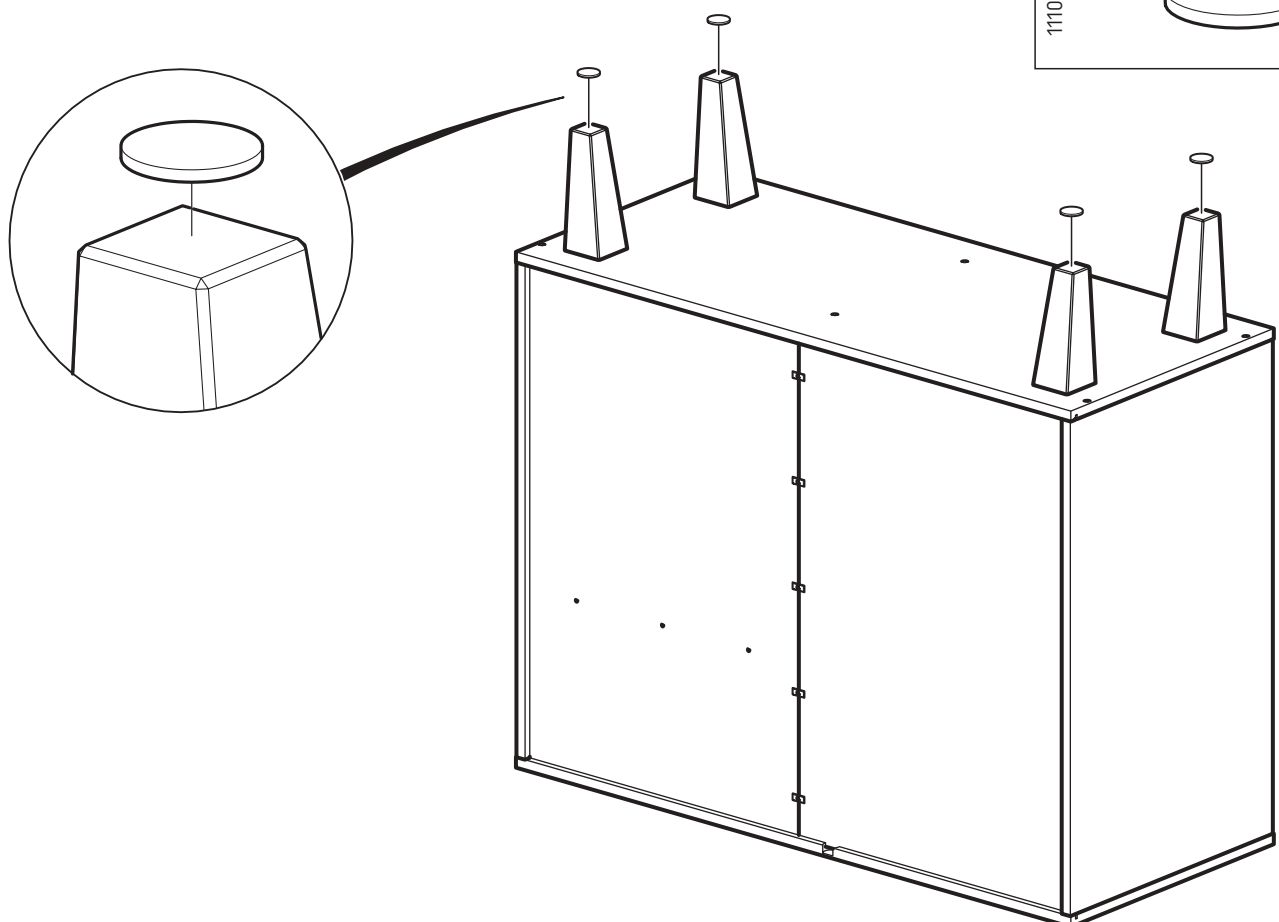
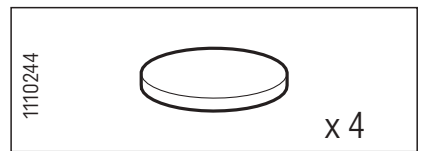
16

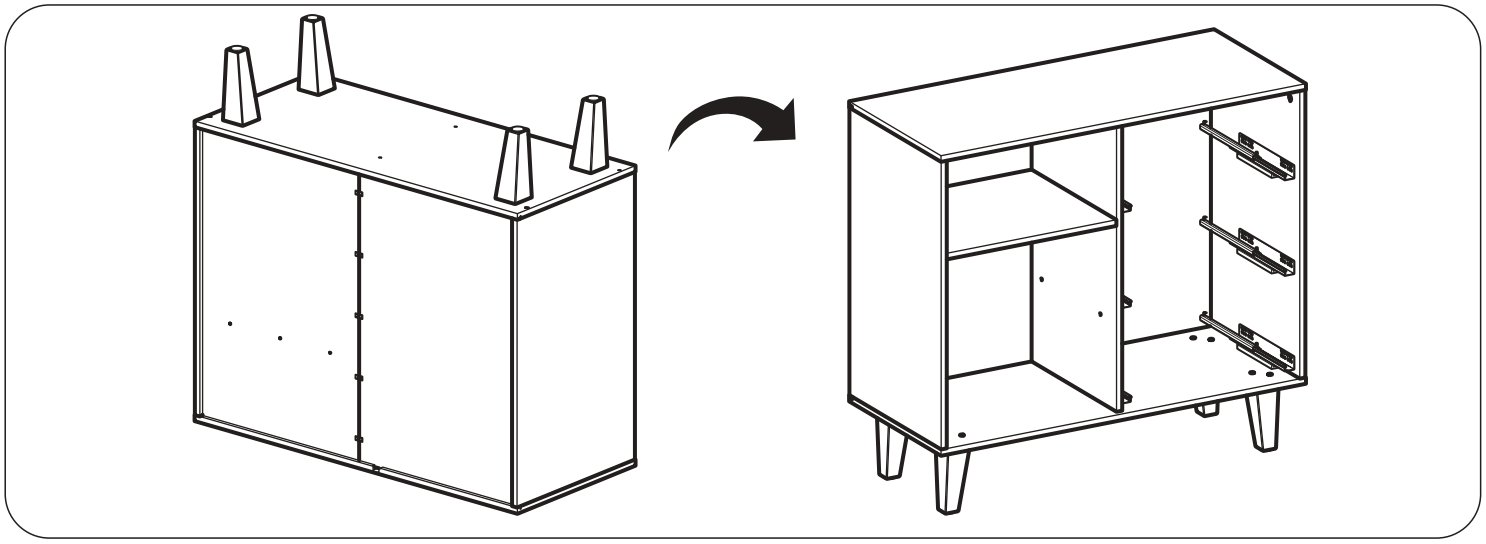


17

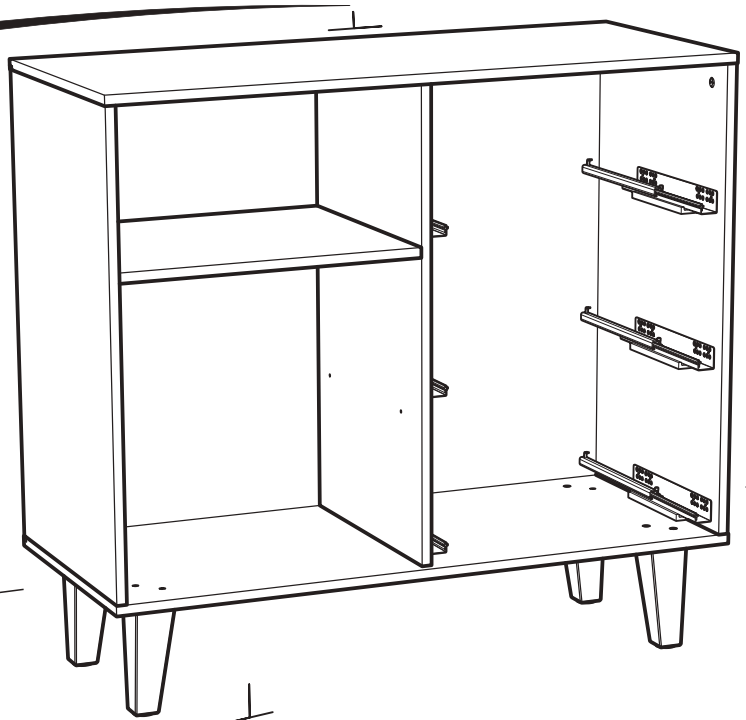
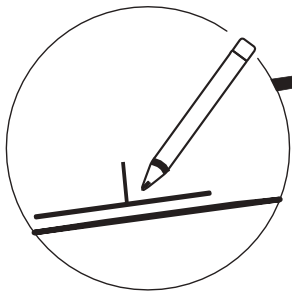


18

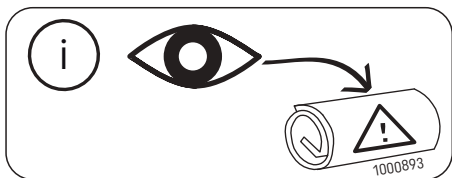
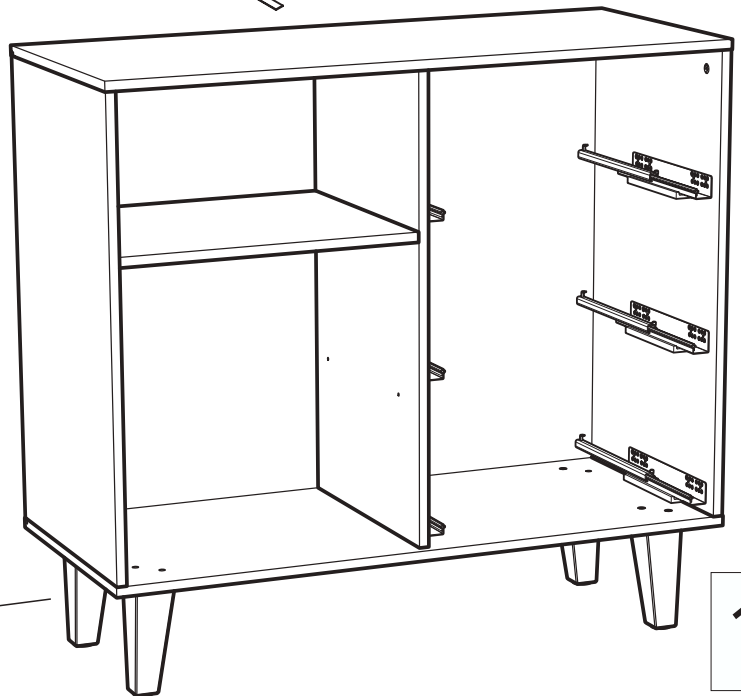
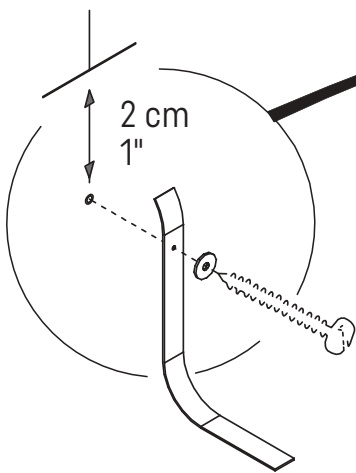




19

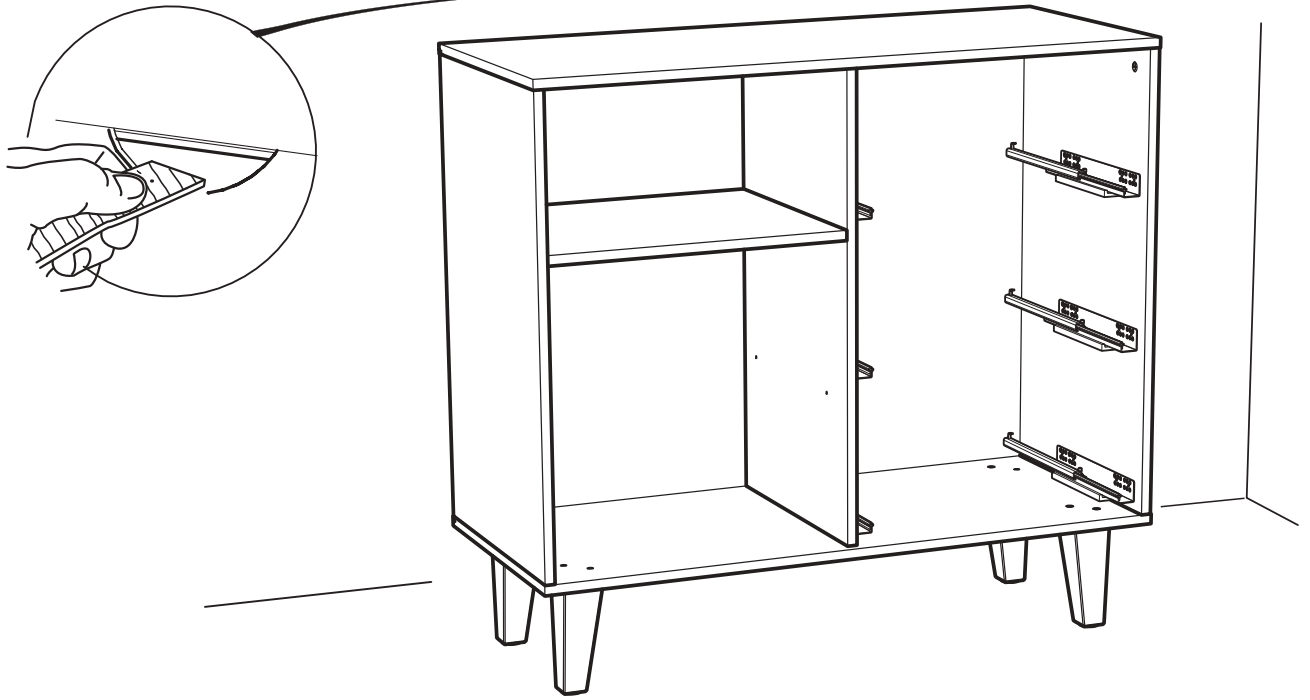


20

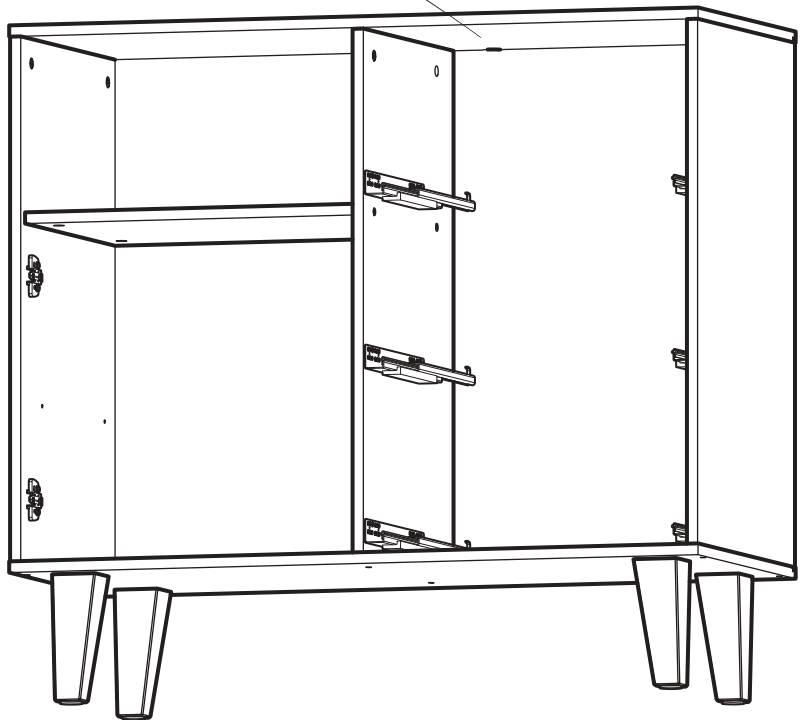
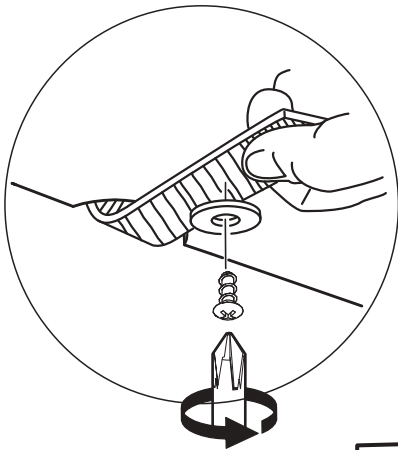


10

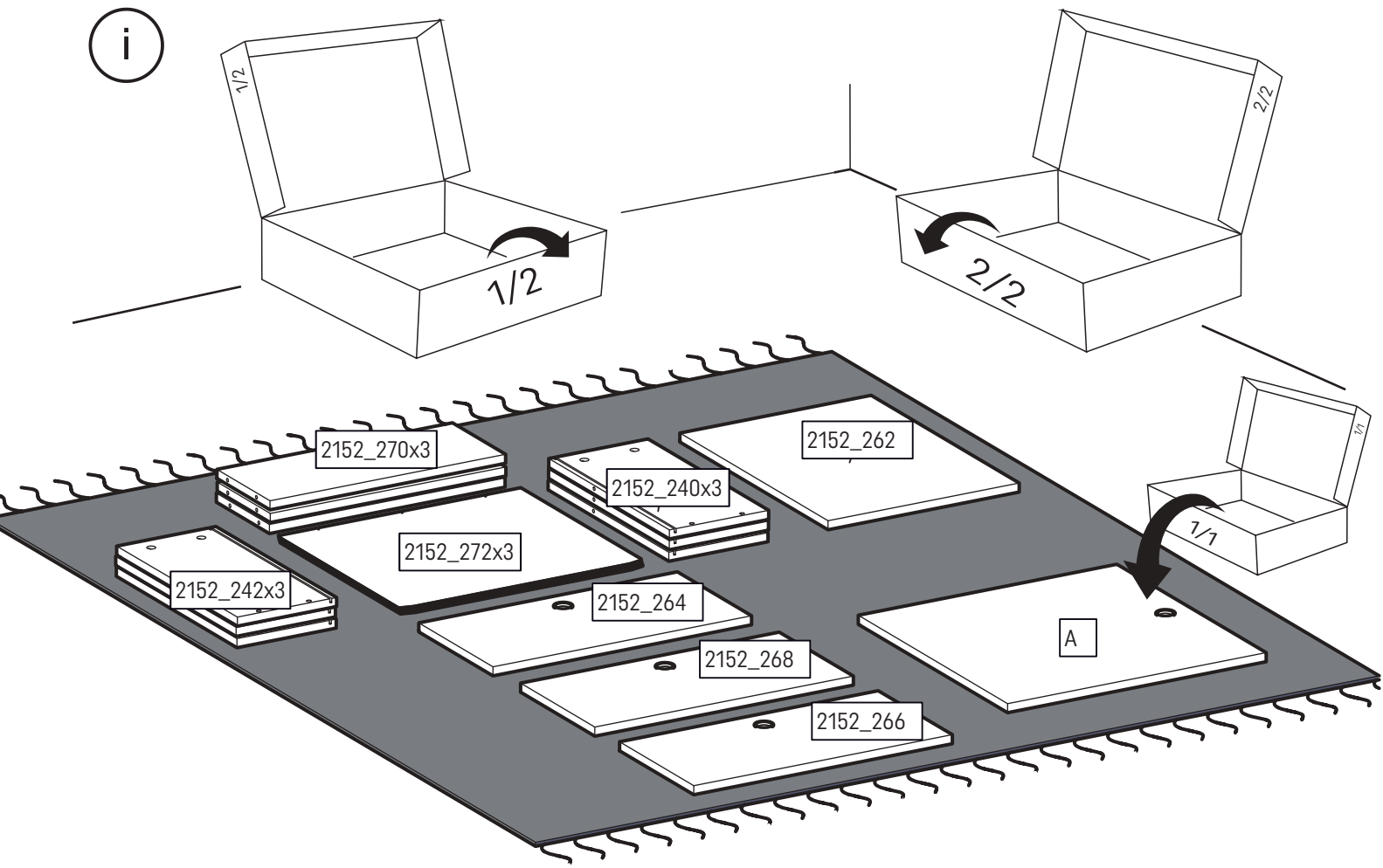
21



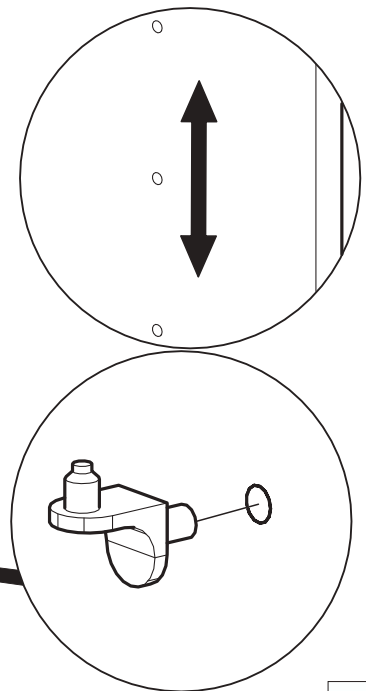
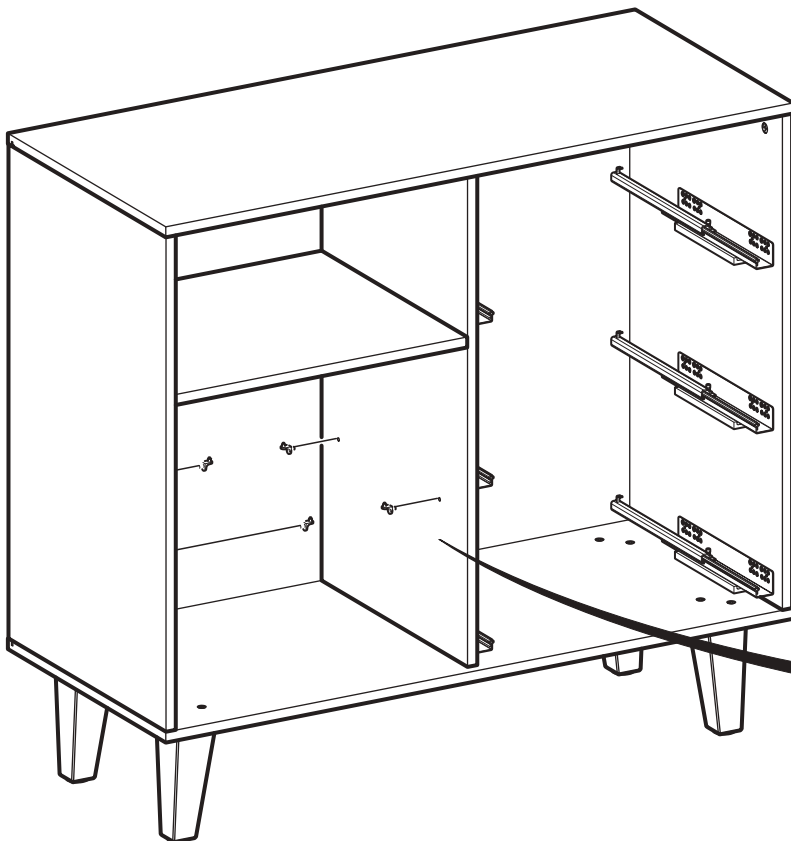
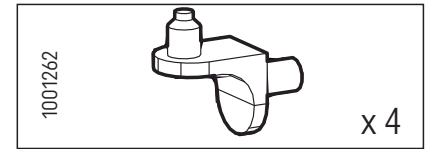
22



i

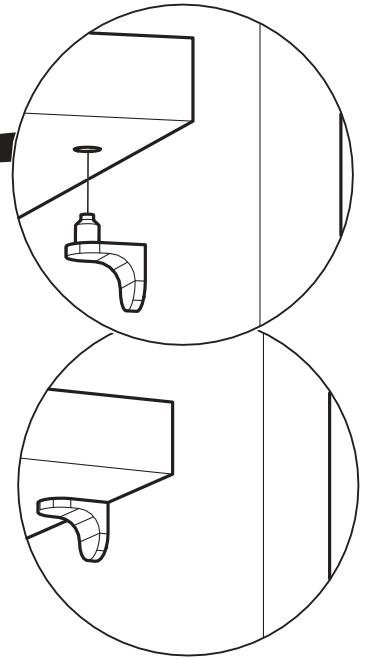
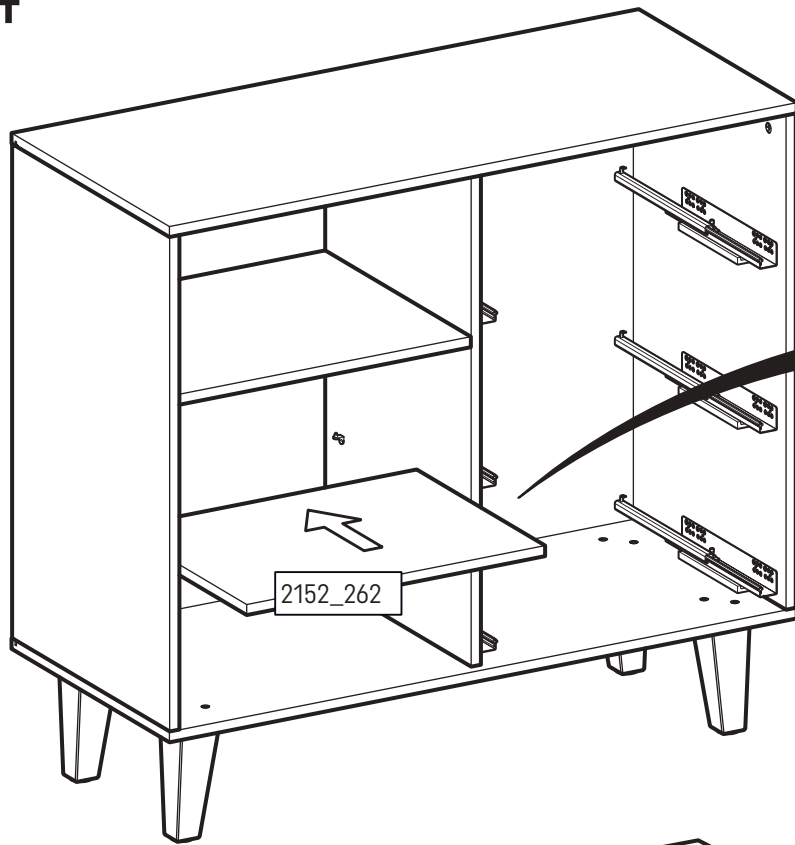


23

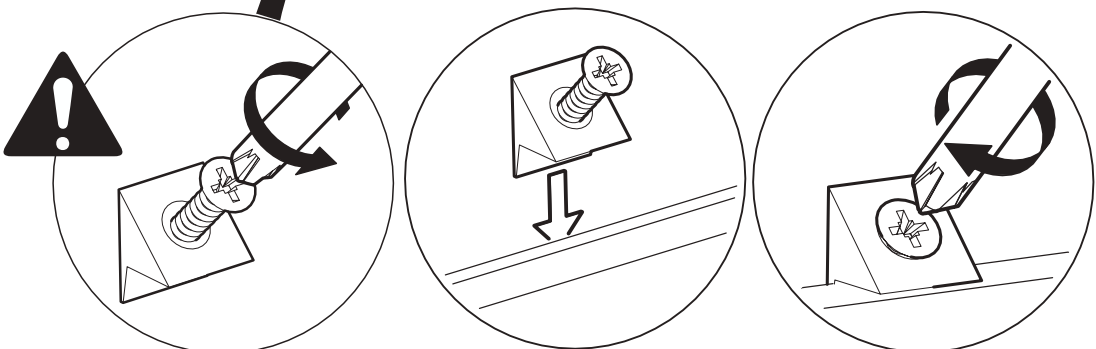
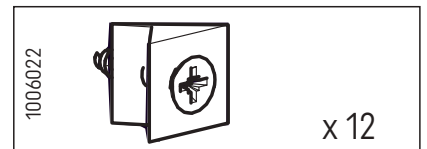
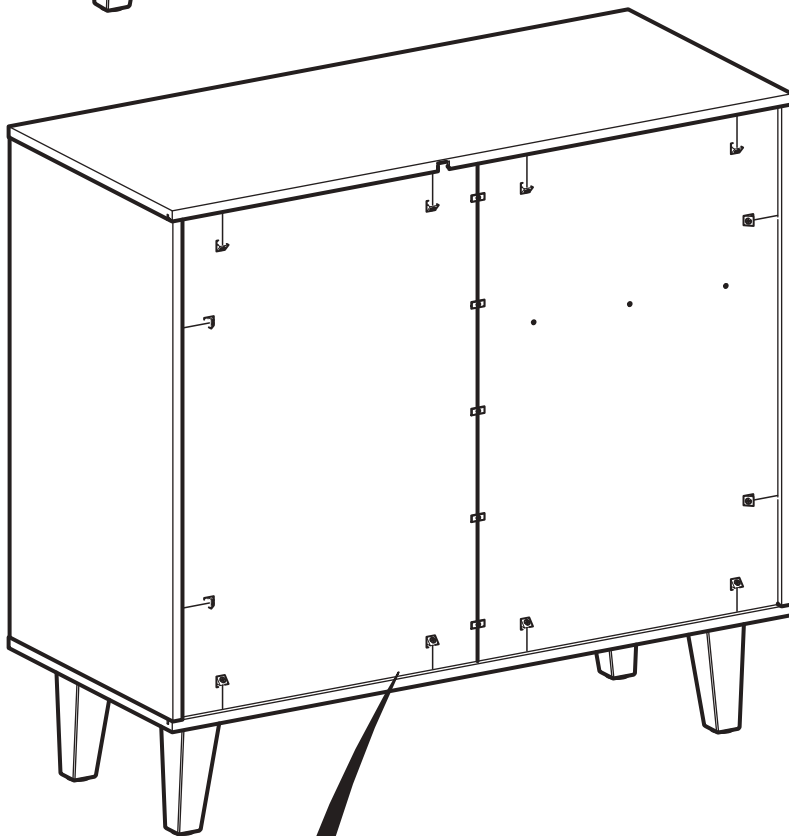


12

24

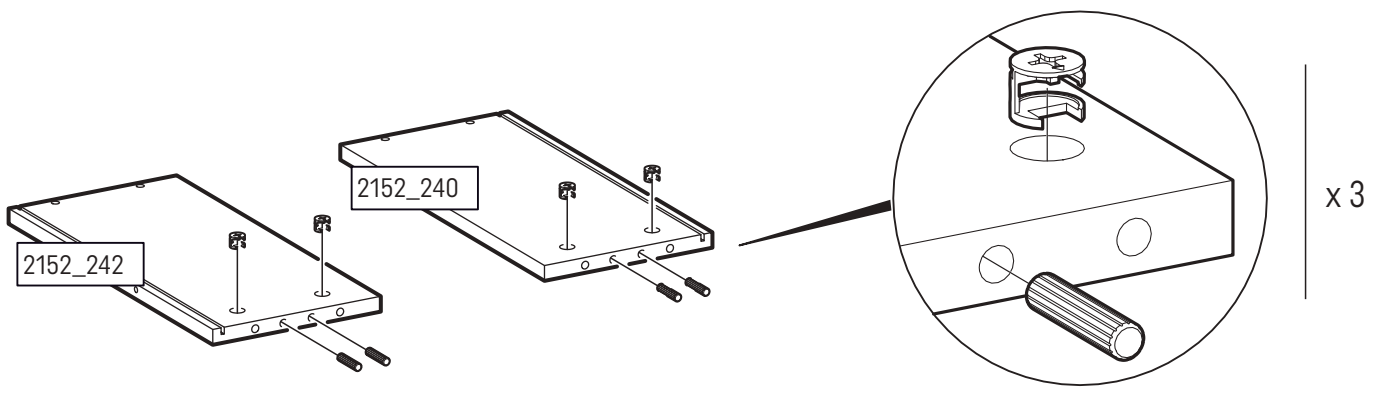
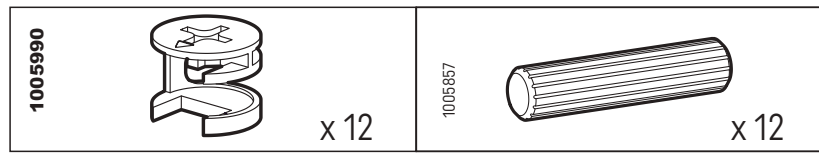


25

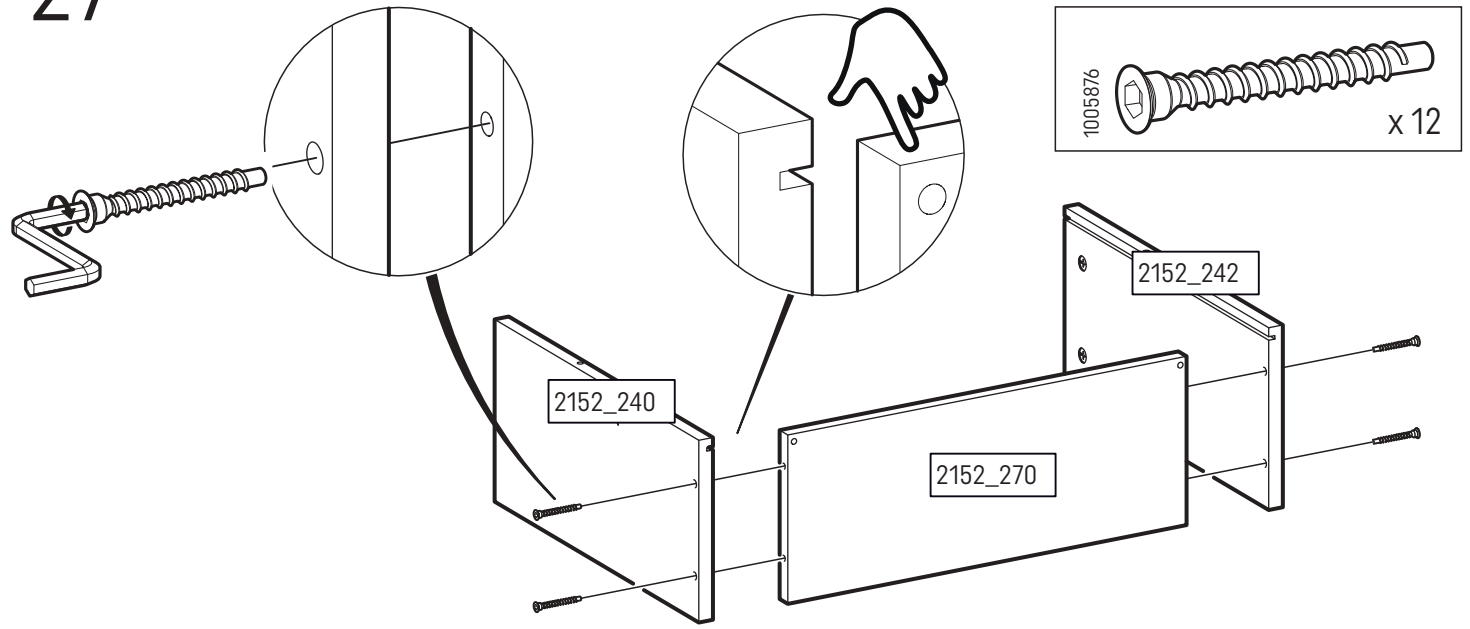


13

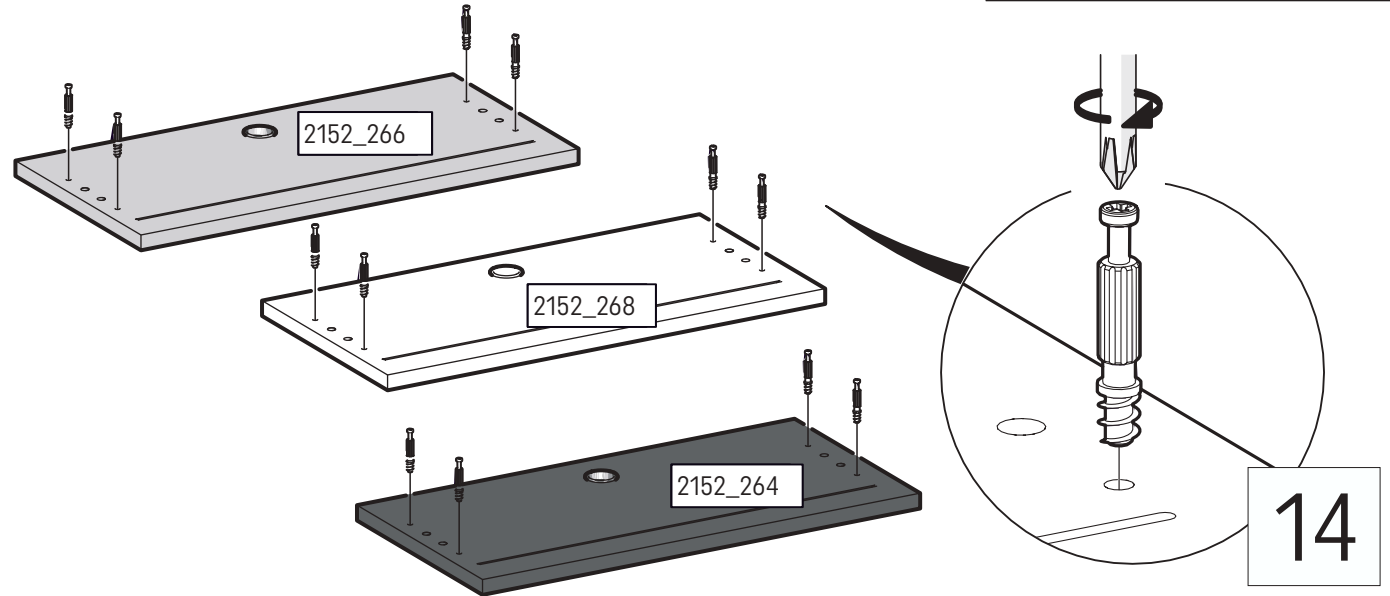
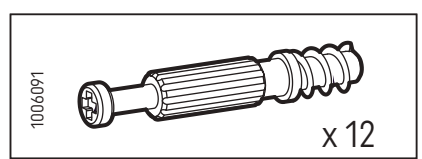
26



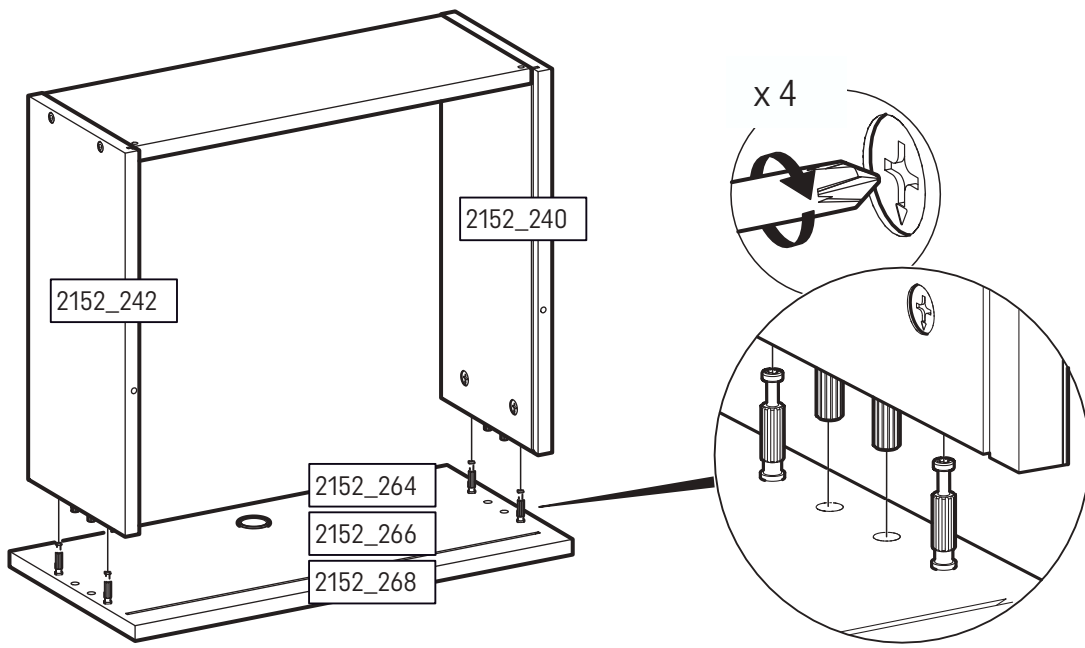
27



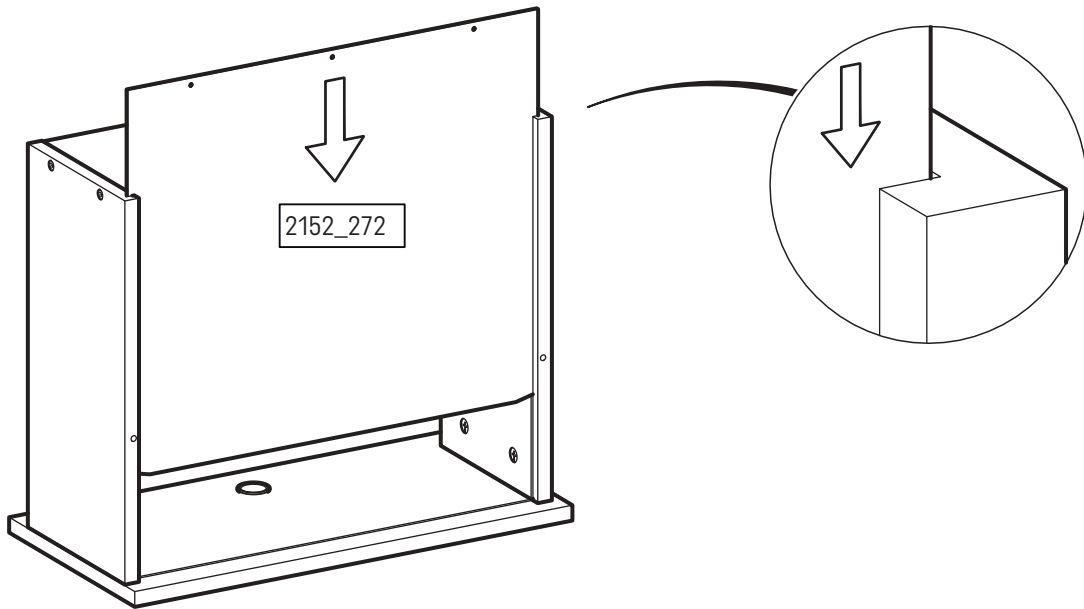
28



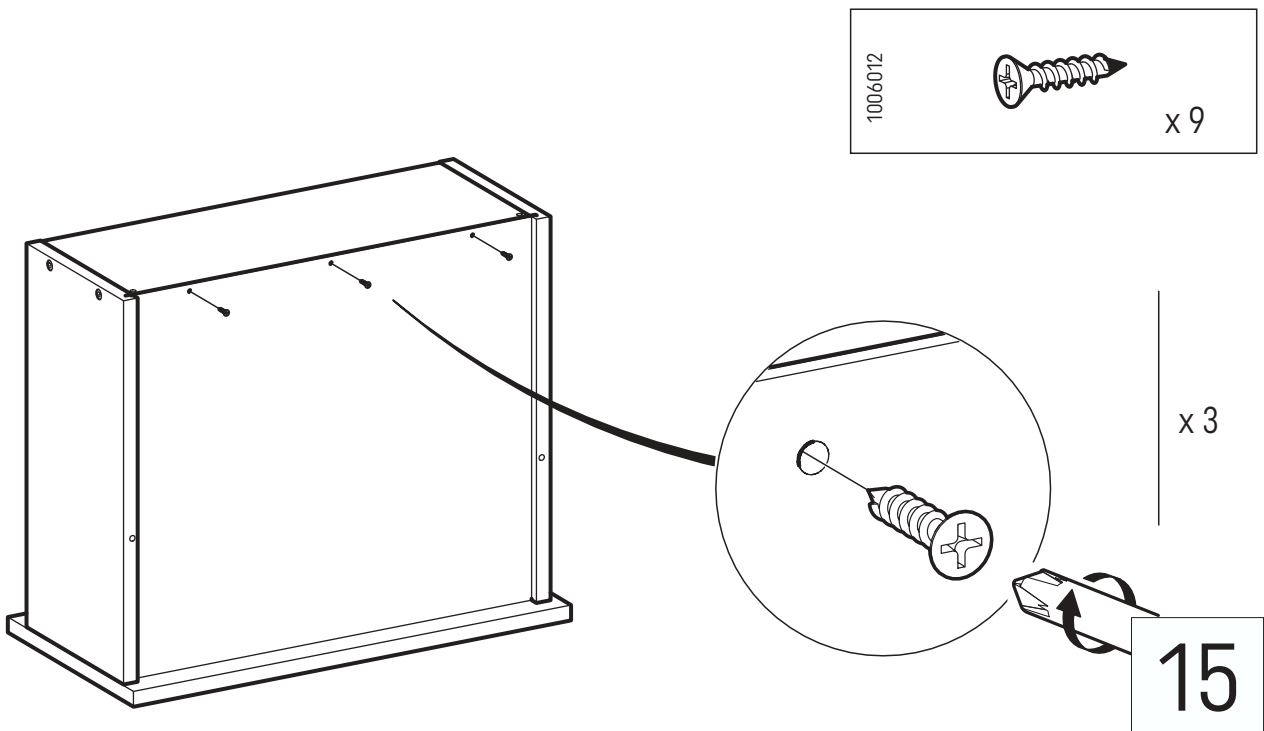
29

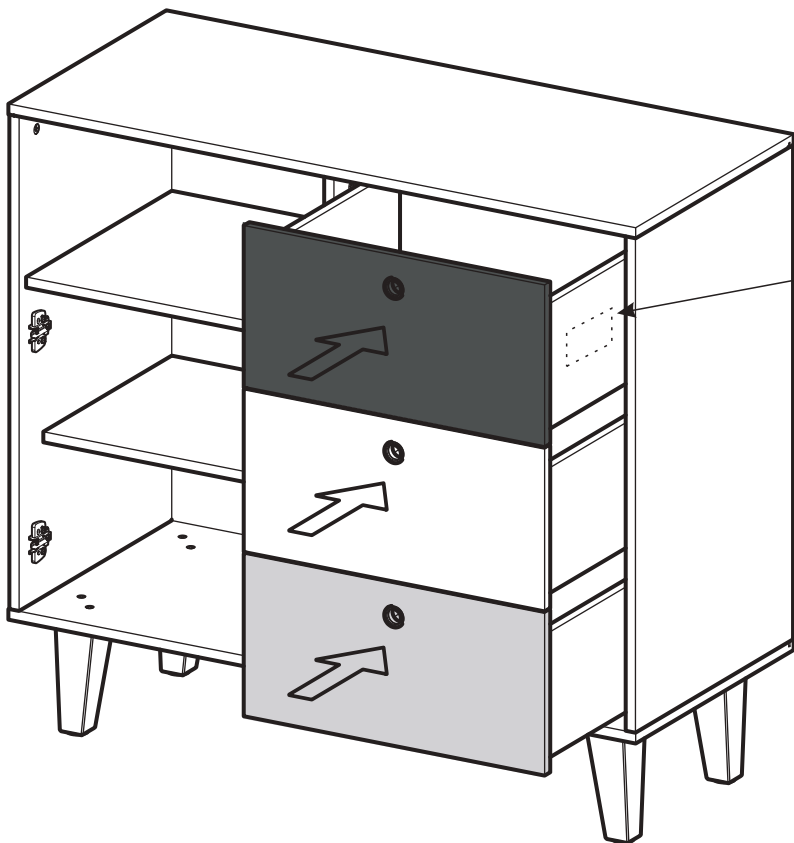


30

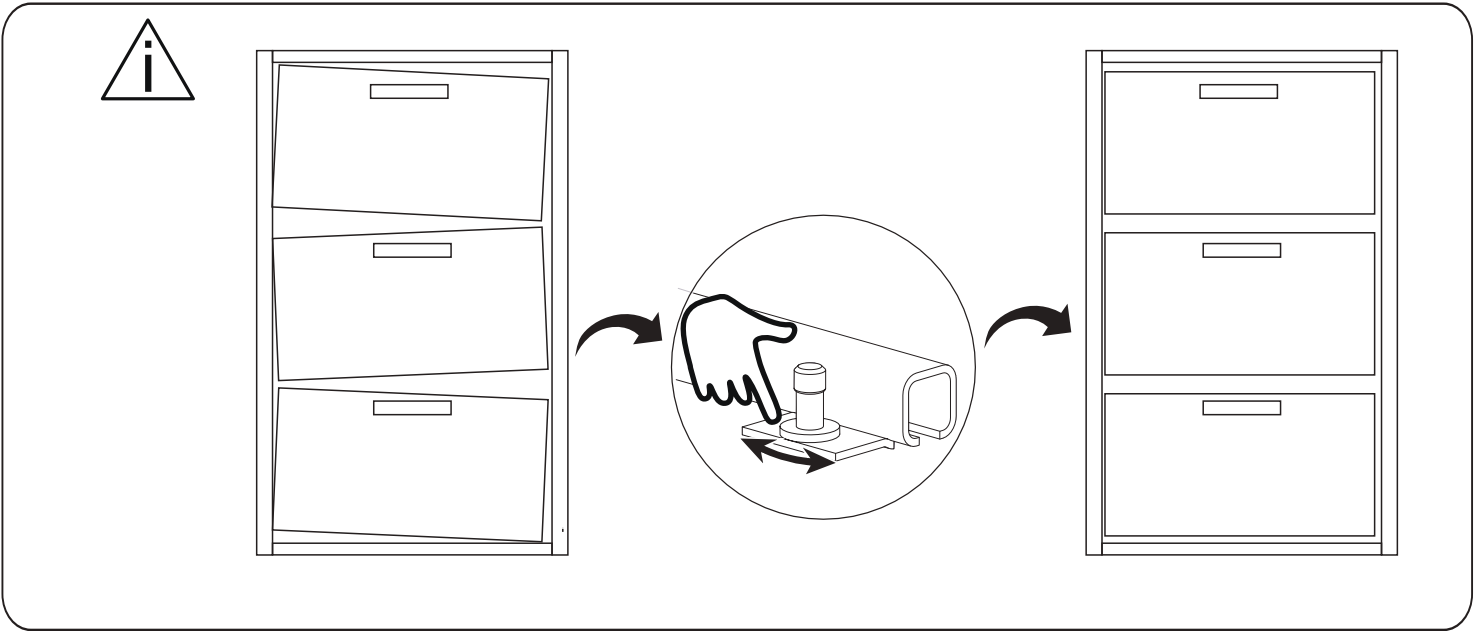
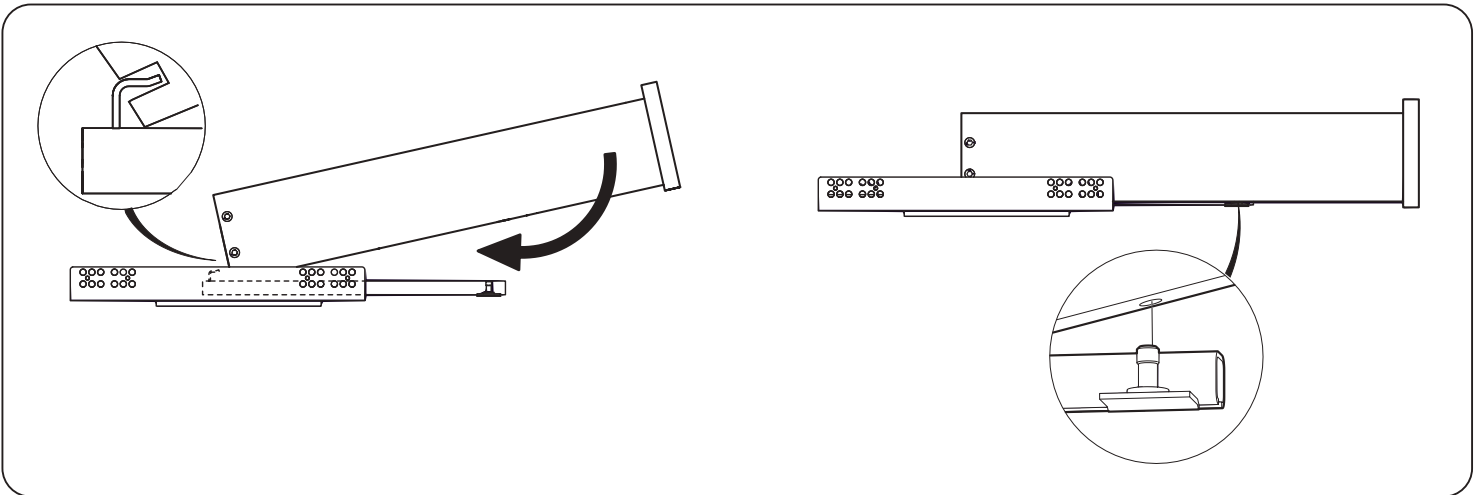


31

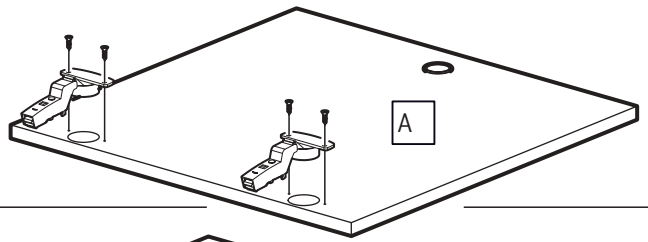
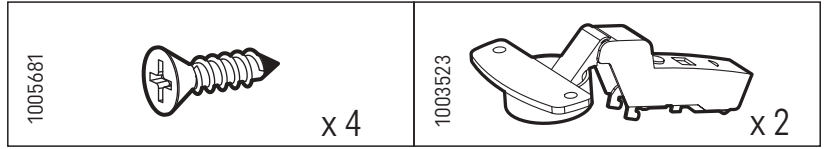
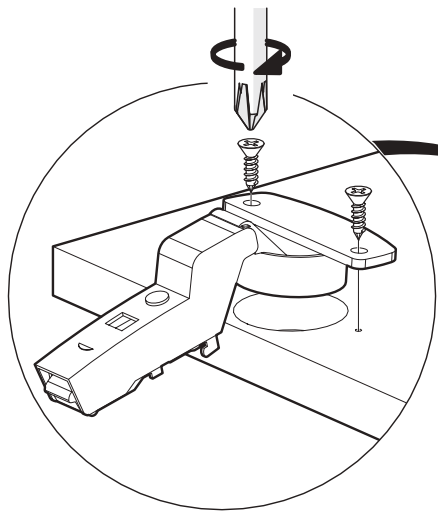




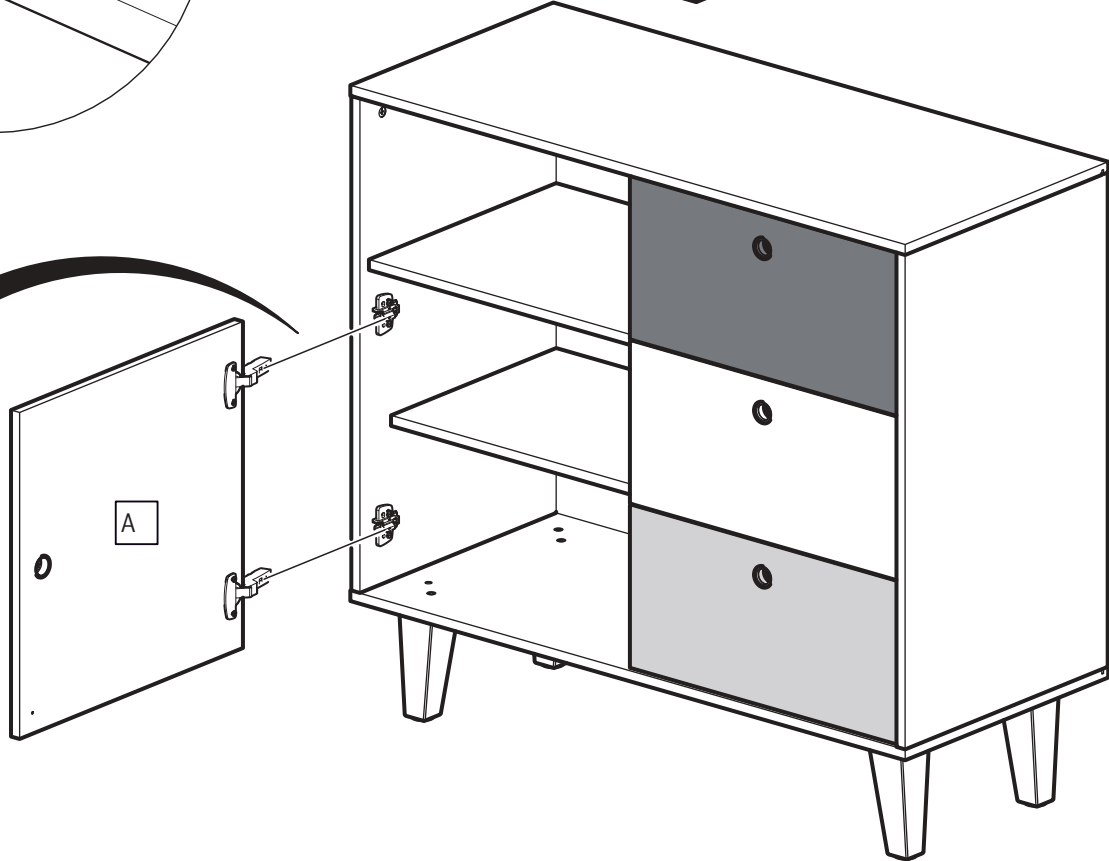
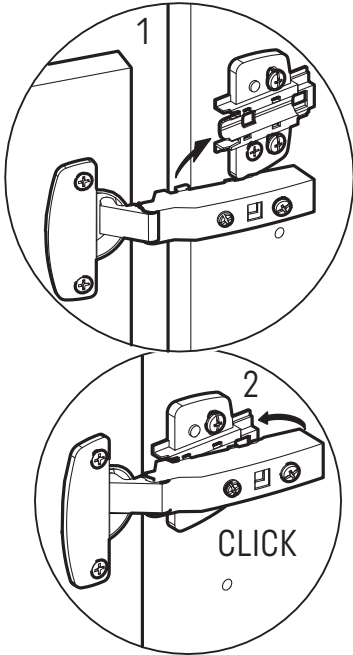
<p>⚠ WARNING Serious or fatal crushing injuries can occur from furniture tip-over. To help prevent tip-over:</p> <ul style="list-style-type: none"> • Install tipover restraint provided. • Place heaviest items in the lower drawers. • Unless specifically designed to accommodate, do not set TVs or other heavy objects on top of this product. • Never allow children to climb or hang on drawers, doors or shelves. • Never open more than one drawer at a time. (CR) • Do not defeat or remove the drawer interlock system. <p>Use of tip-over restraints may only reduce, but not eliminate, the risk of tip-over.</p>	
---	--



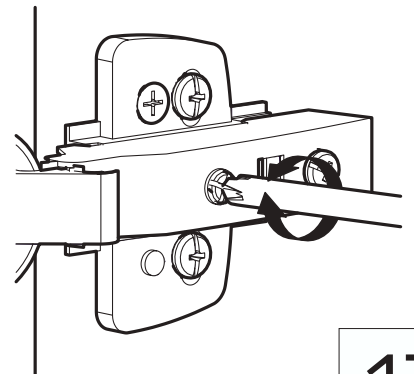
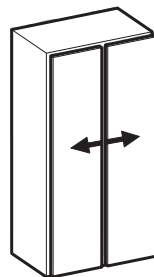
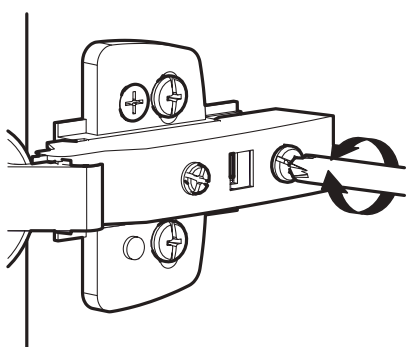
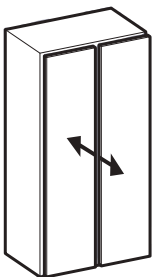
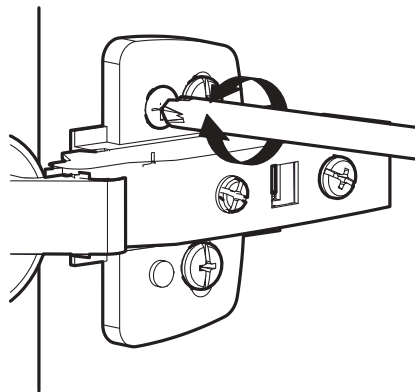
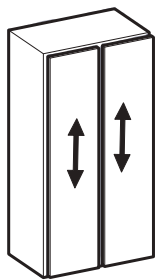
33



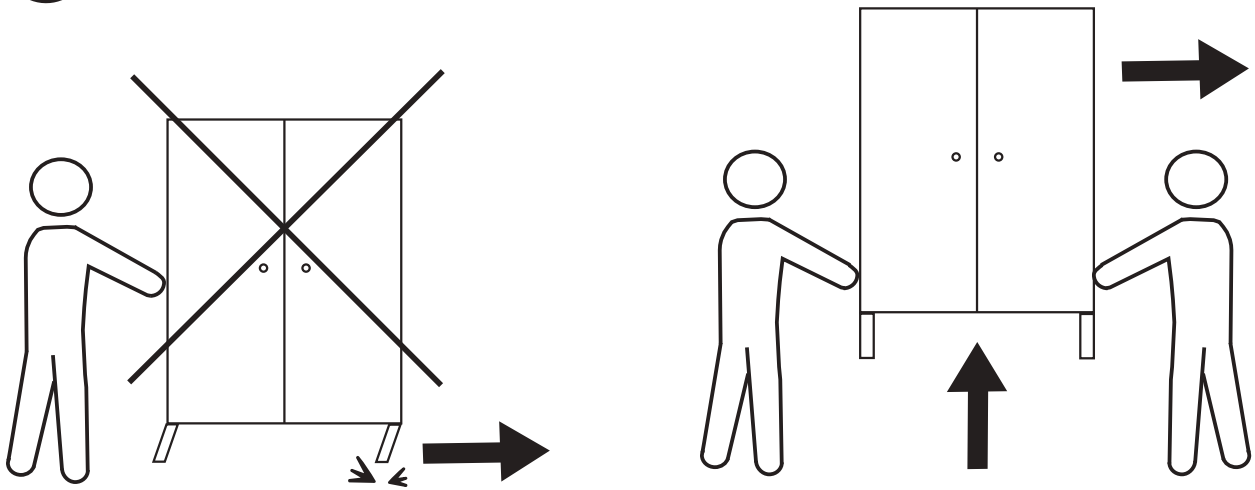
34



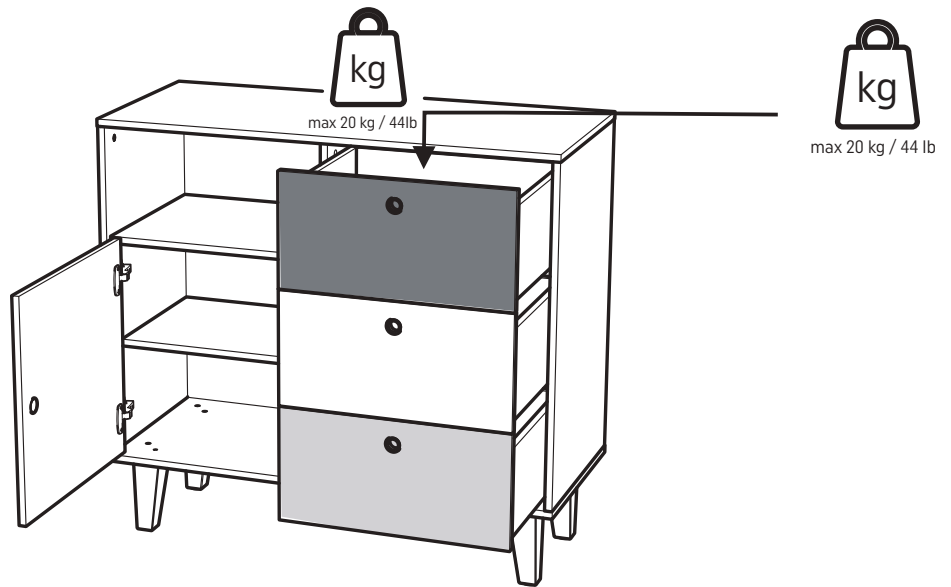
i



i



i



i

