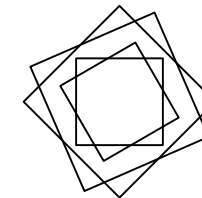
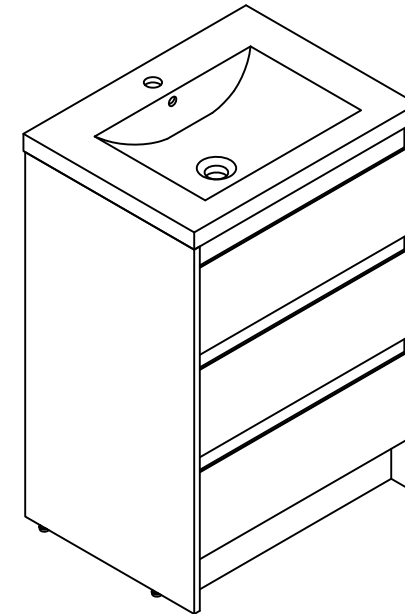


THANKS FOR WATCHING

Your feedback is invaluable to us and we would love to hear about your experience. Please take the time to leave us a review.


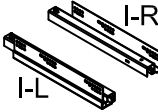
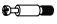














Thank you for shopping with us!

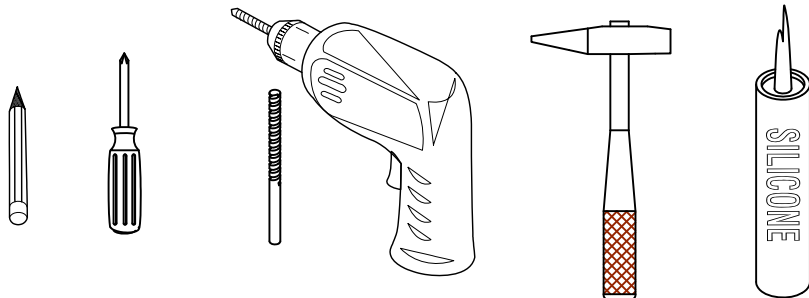
We encourage you to take a few minutes to go through this booklet. It contains important information on installation and care tips to keep your furniture looking as good as new.

Item NO.:BV B120 J24

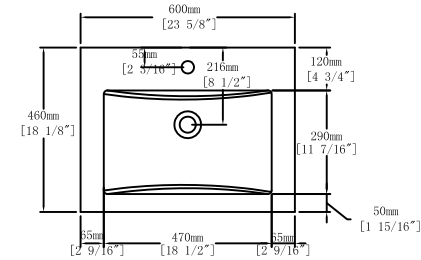
Hardware

NO.	Draw	QTY	NO.	Draw	QTY
A	 Screws Ø4x14mm	58	I	 Track	3
B	 Two-in-one connector	56	J	 U-Shaped plastic	2
C	 Two-in-one connector	56	K	 Screws Ø4x20mm	12
D	 Wood plug	4	L	 Screws Ø4x10mm	14
E	 Plastic anchor(Ø10mm)	2	M	 Adjustable feet	4
F	 Screws for fix on the wall	2	N	 Anti-collision gasket	12
G	 Bracket (53x70x44mm)	2	O	 Screwdriver	1
H	 Bracket (19x19x35mm)	2			

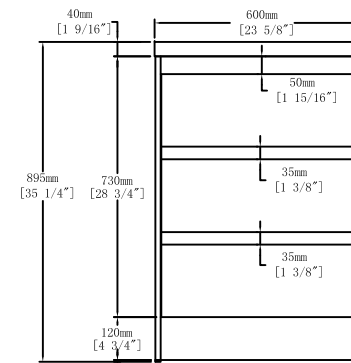
Recommended tools



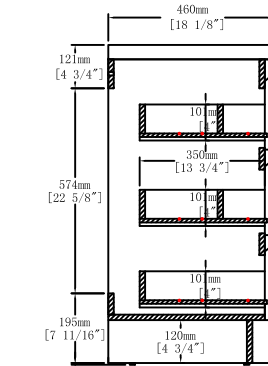
Dimensions



Top View



Front View

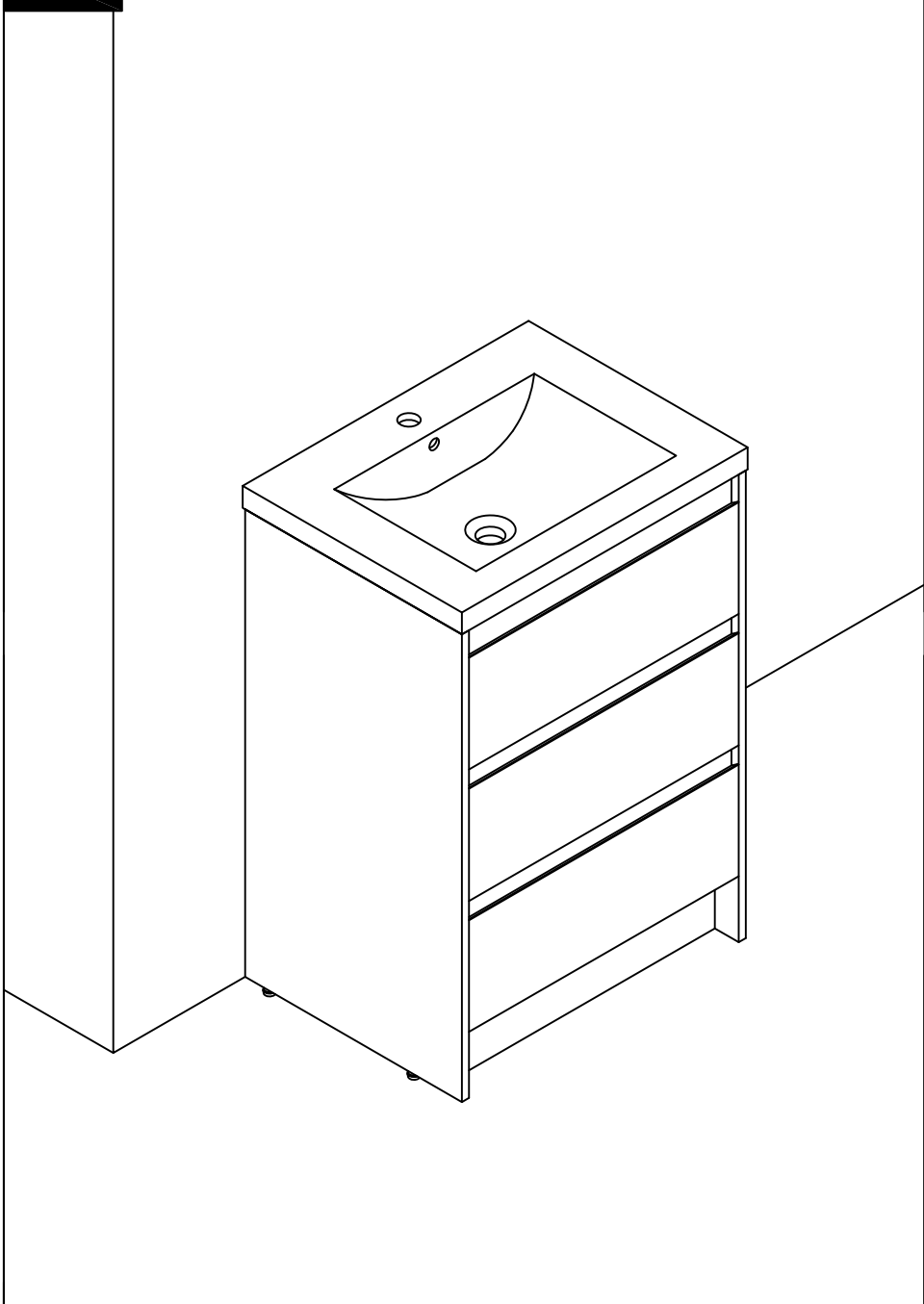


Side View

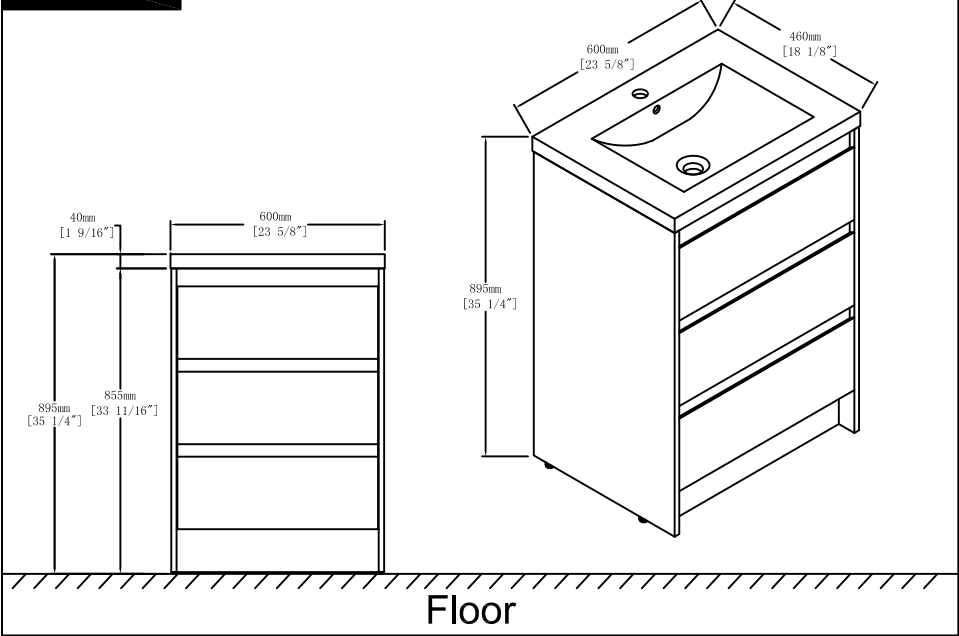
CARE CLEANING AND MAINTENANCE

1. Dust regularly with a soft , dry cloth.
2. Avoid the use of all chemicals household cleaners, abrasives, or cleaners that contain lemon, vinegar, or other acids that may damage the finish.
3. Excessive exposure to sunlight and extreme changes in temperature and moisture can damage wood furniture.
4. The sink is fragile, please pay attention to maintaining its appearance.
5. Do not place hot appliances, such as curling irons and hot hair dryers directly on the countertop. Wipe spills immediately.

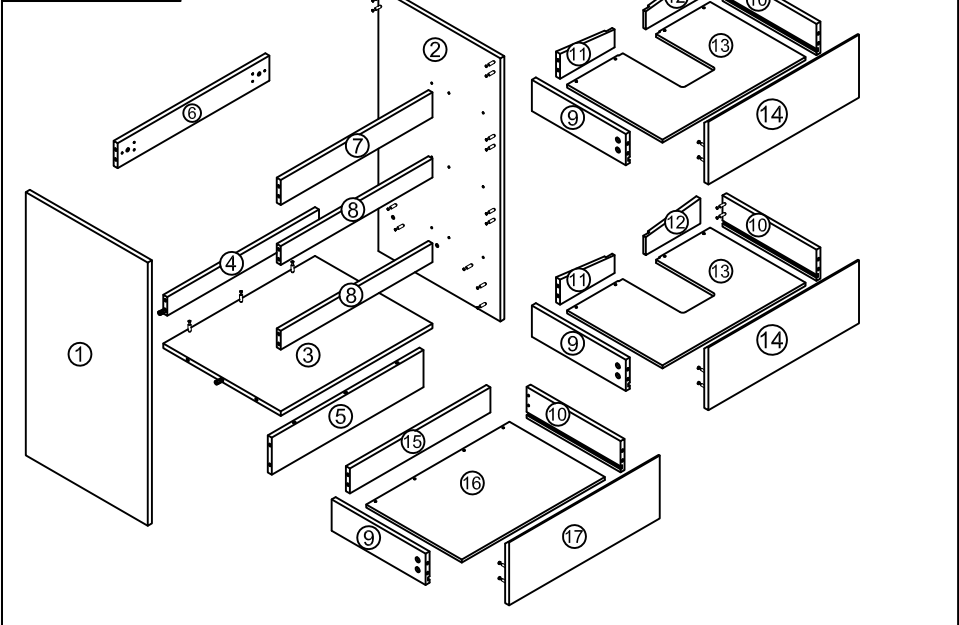
Finished



Dimensions

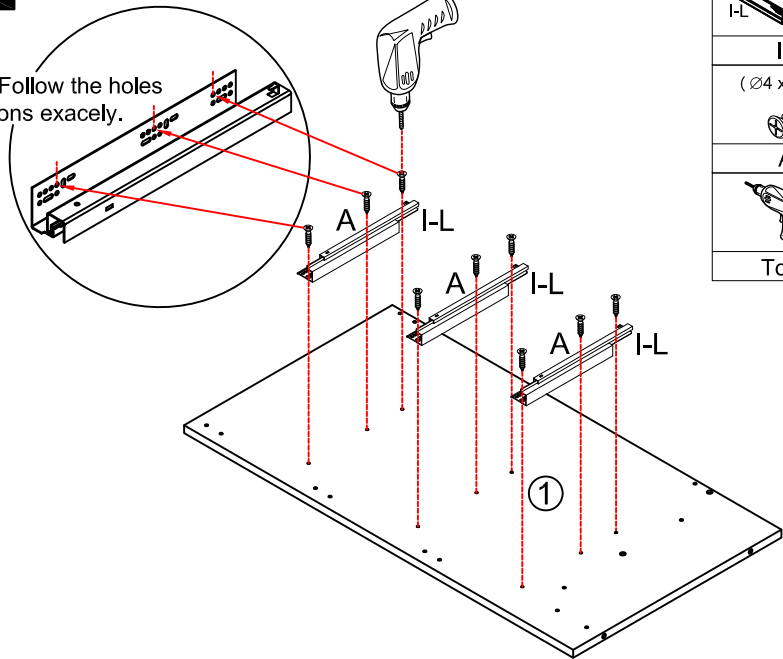




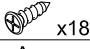
Components

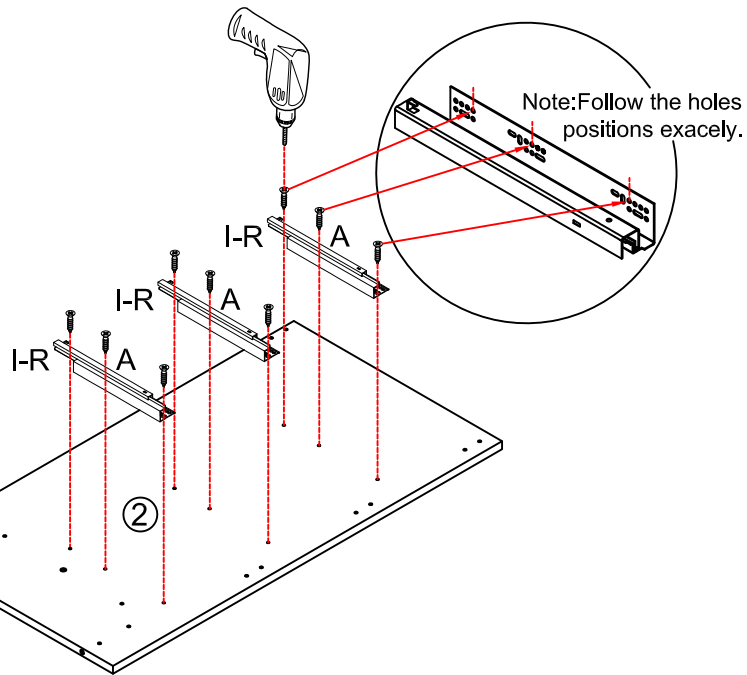


Step 1

Note: Follow the holes positions exactly.

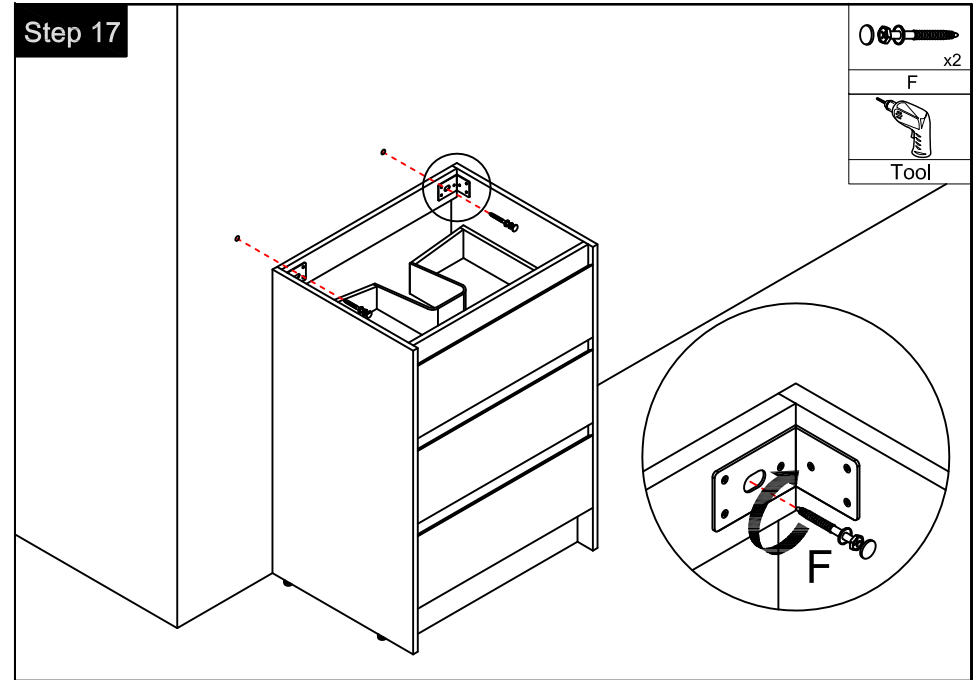




-  I-L x3
- I
(∅4 x 14mm)
-  x18
- A
- 
- Tool



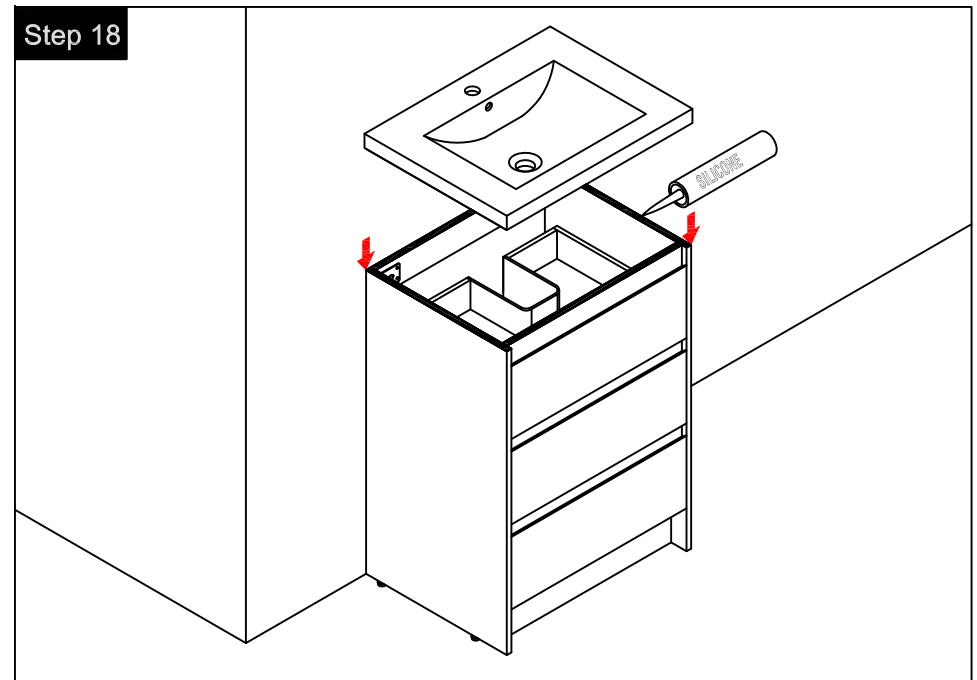
Note: Follow the holes positions exactly.

Step 17





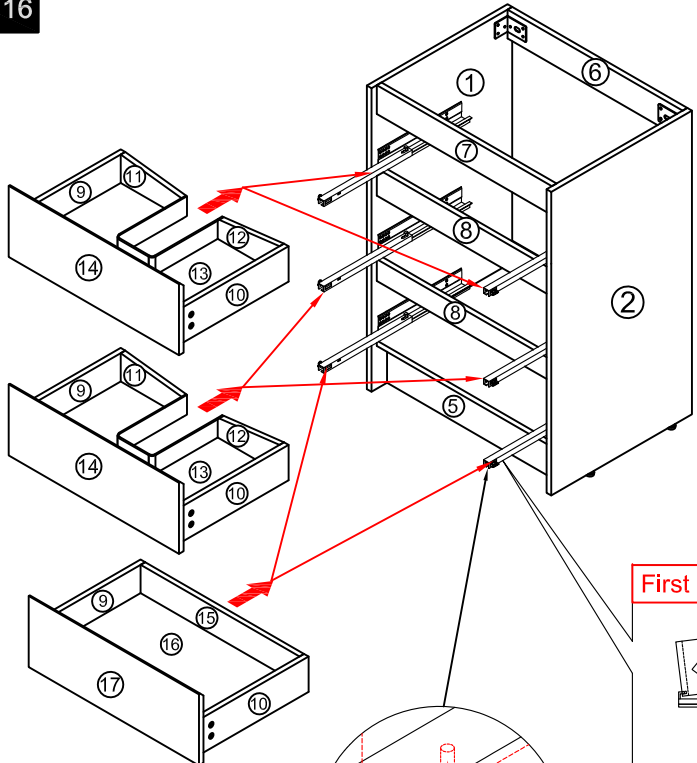
-  F x2
- F
- 
- Tool

Step 18

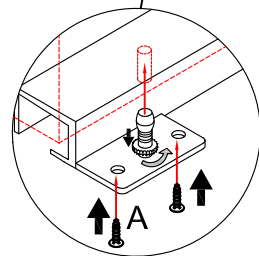
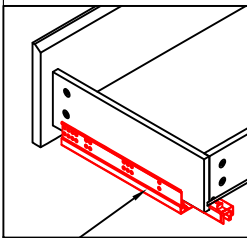
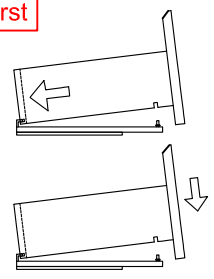


Step 16

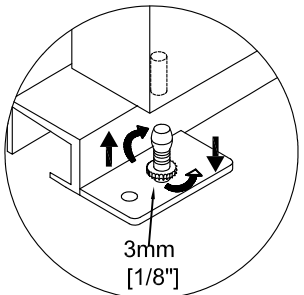
- ($\varnothing 4 \times 14\text{mm}$)
-  x12
- A
- 
- Tool



First



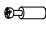

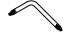
Third step: The bottom of the rail is fixed with screw A.

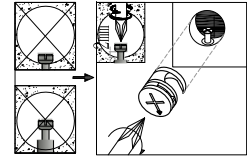
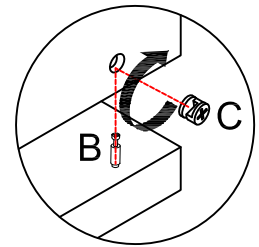
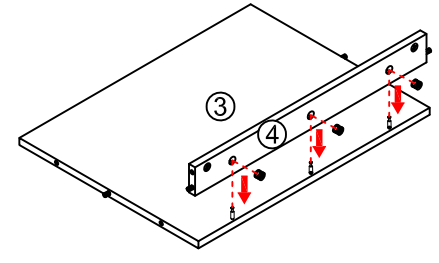


Note: The rails adjust their height 3mm.

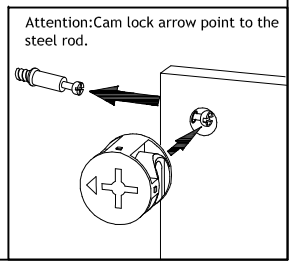
Second step: Tuck the rear holes.

Step 2

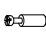


-  x3
- B
-  x3
- C
- 
- O

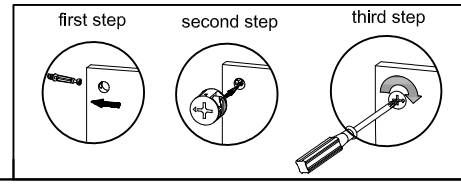
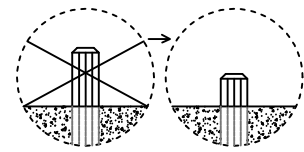
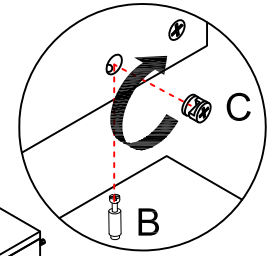
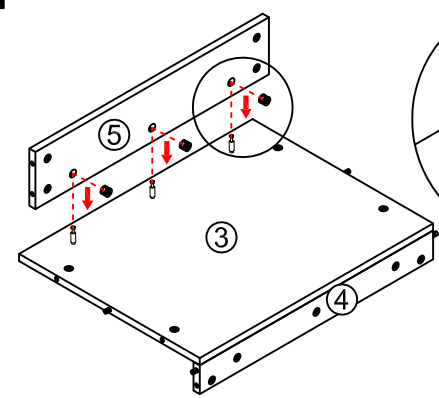


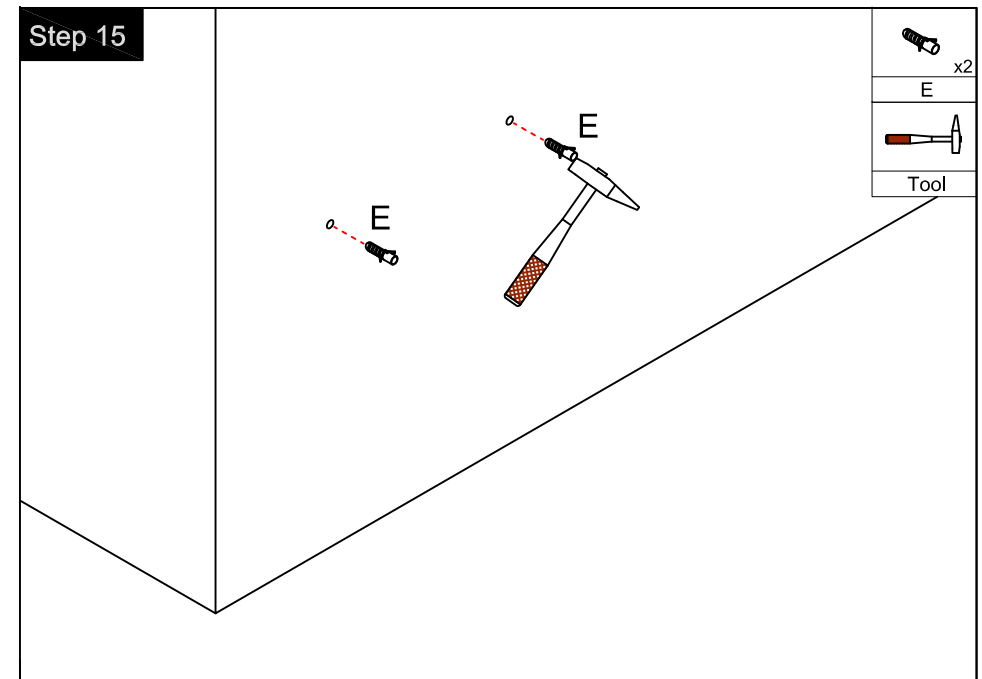
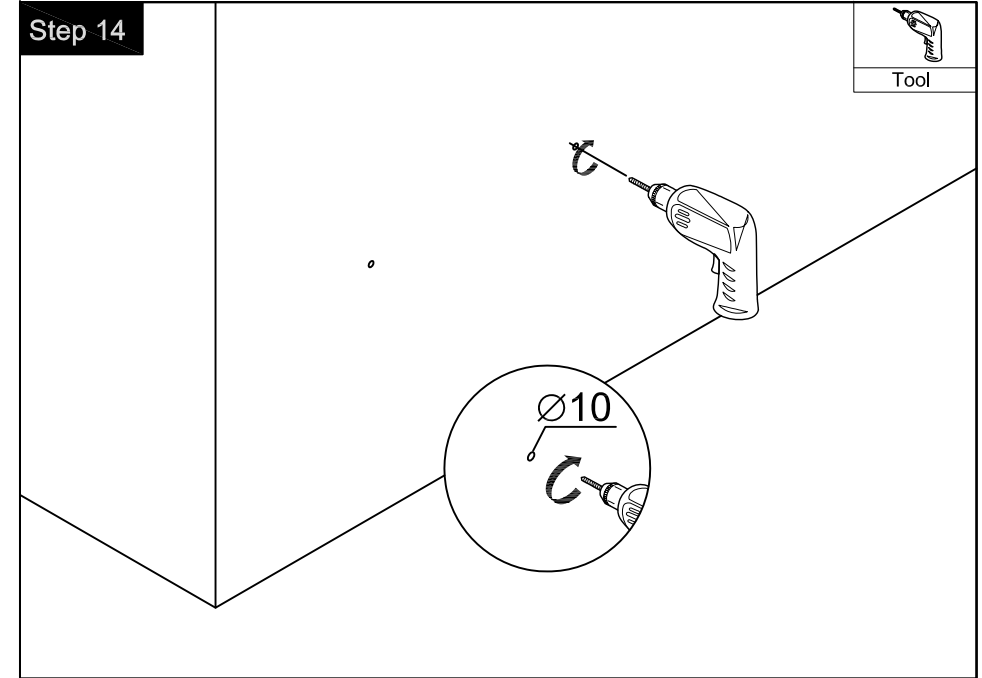
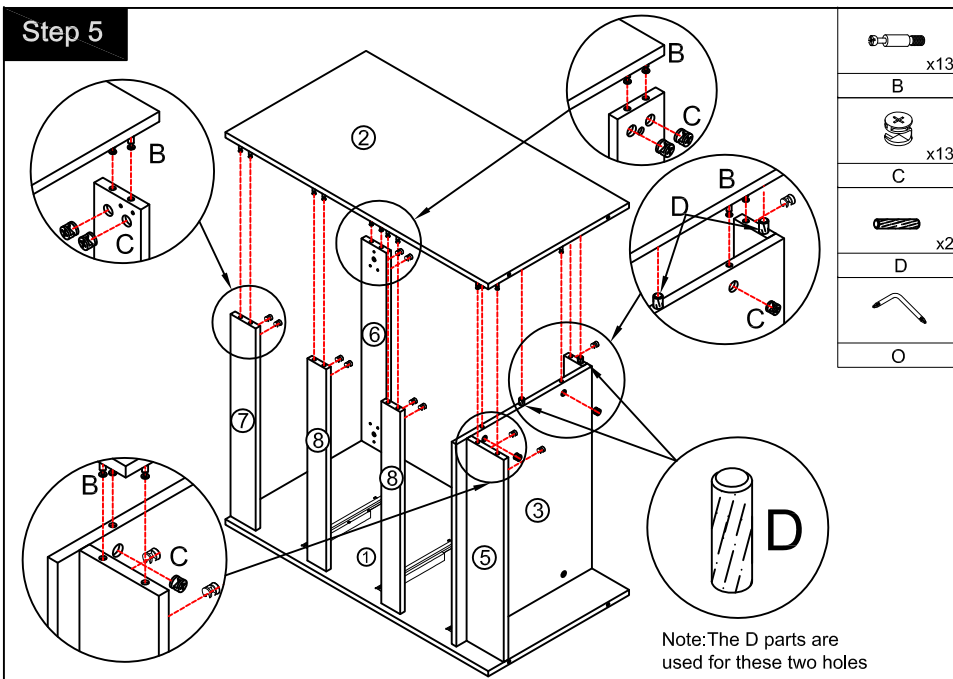
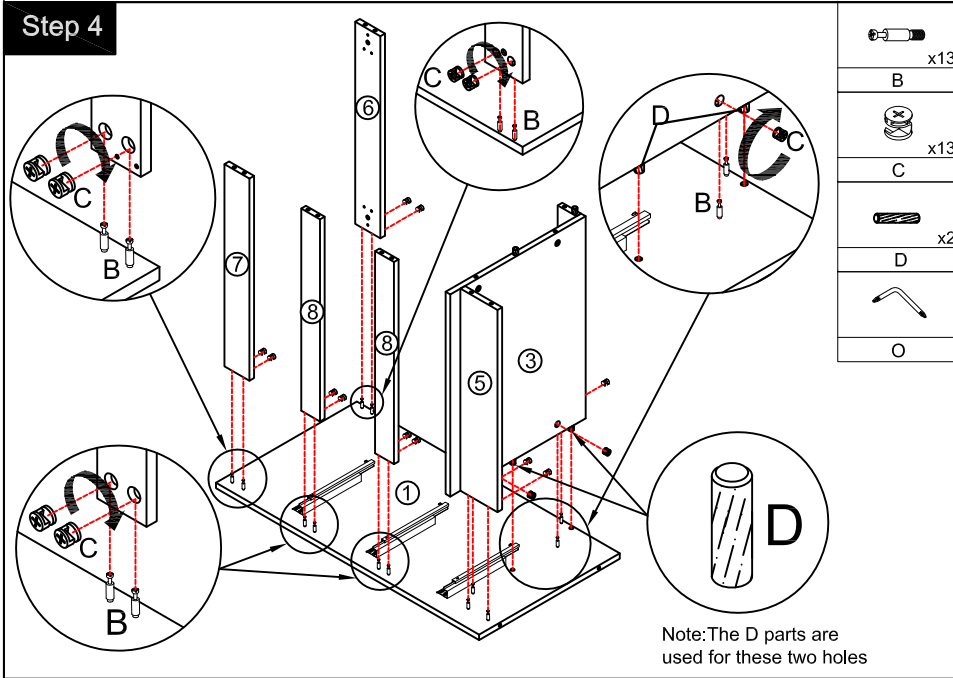
Notes: Screw installation depth as shown



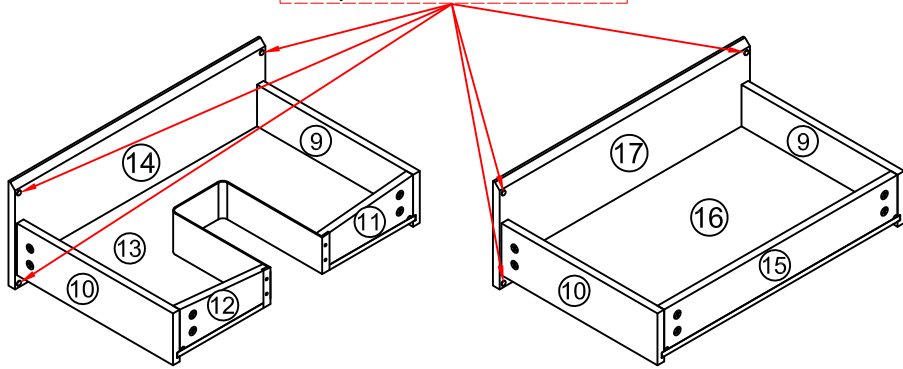
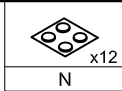
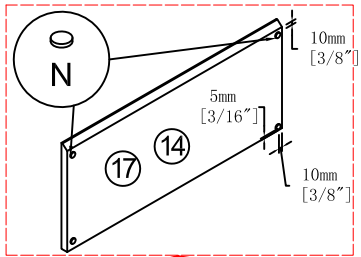
Step 3

-  x3
- B
-  x3
- C
- 
- O

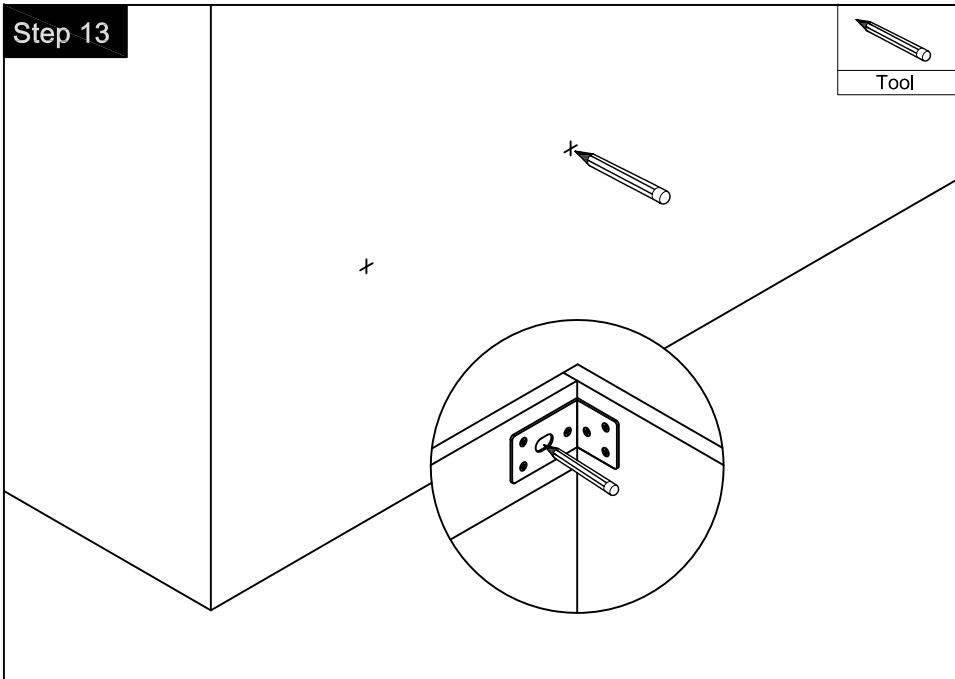
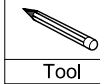




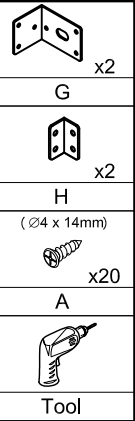
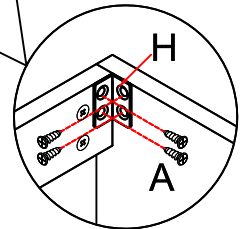
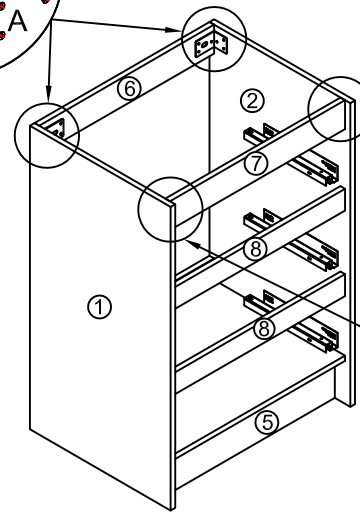
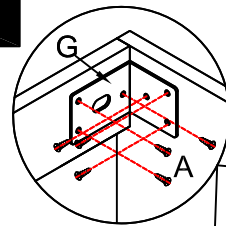
Step 12



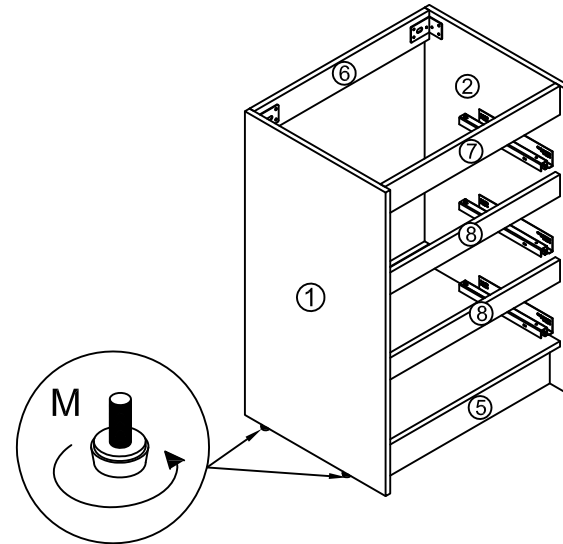
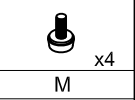
Step 13

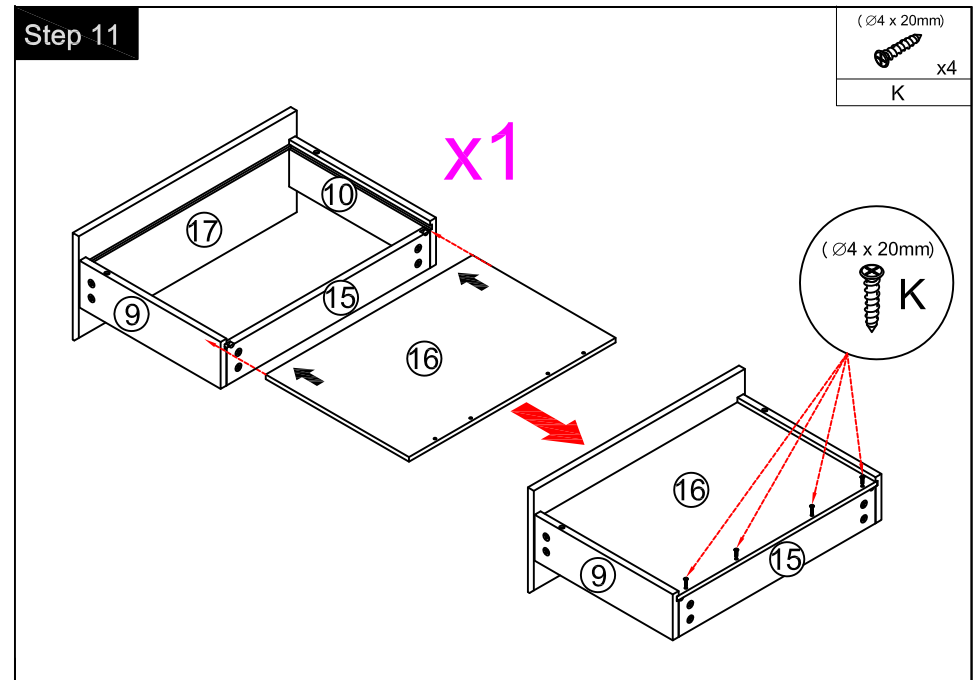
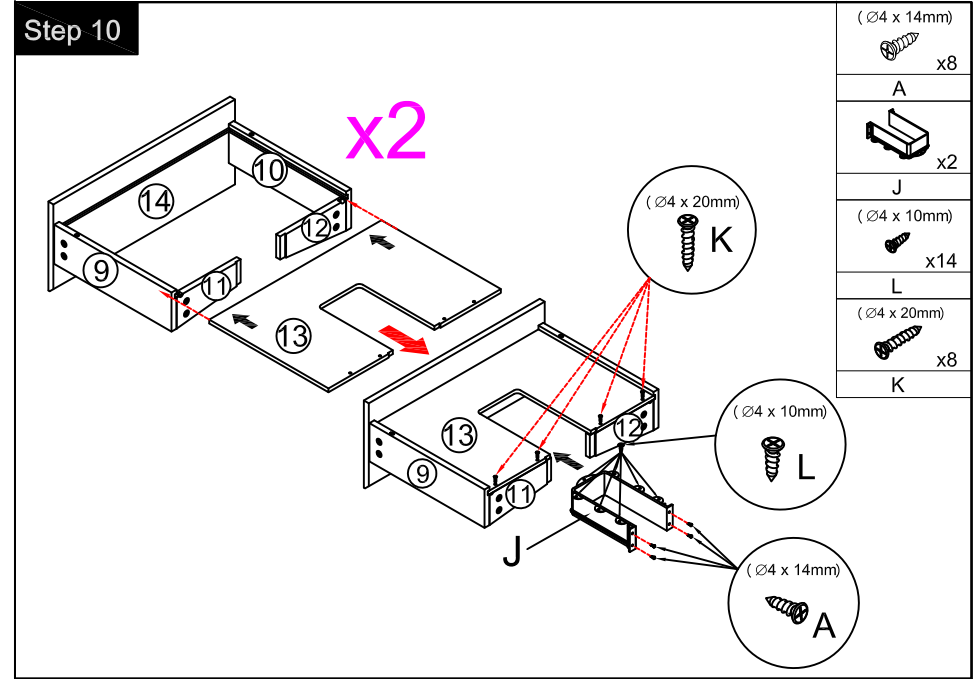
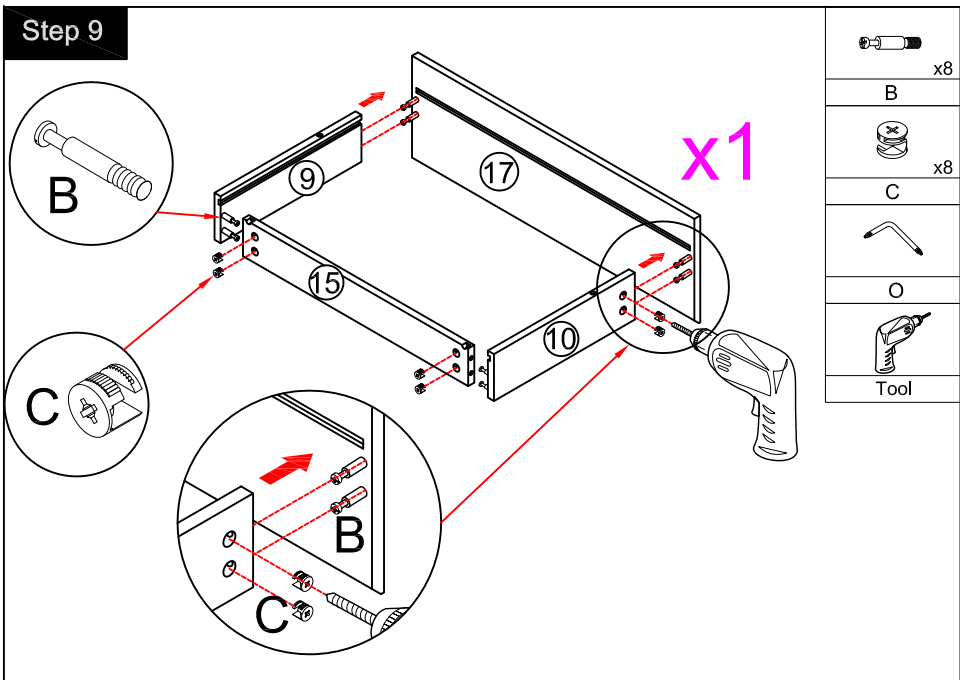
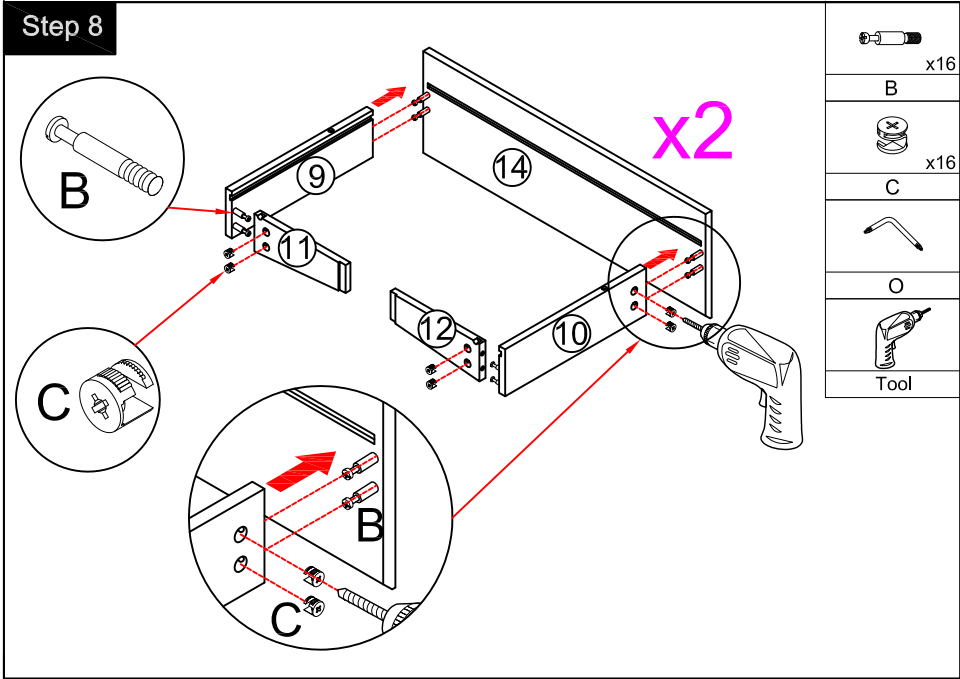


Step 6



Step 7



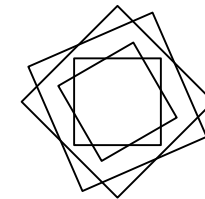
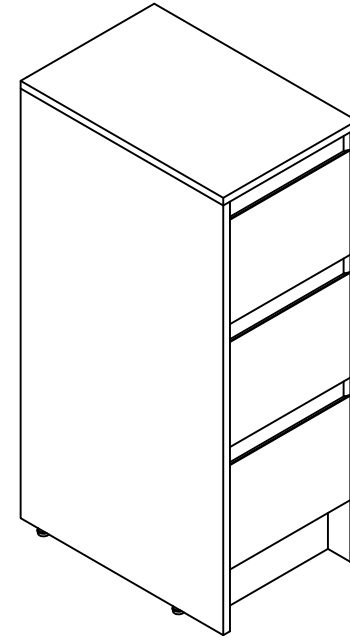


Installation Manual-BV B120 E12B

MOTIVATE
YOUR LIFE !

THANKS FOR WATCHING

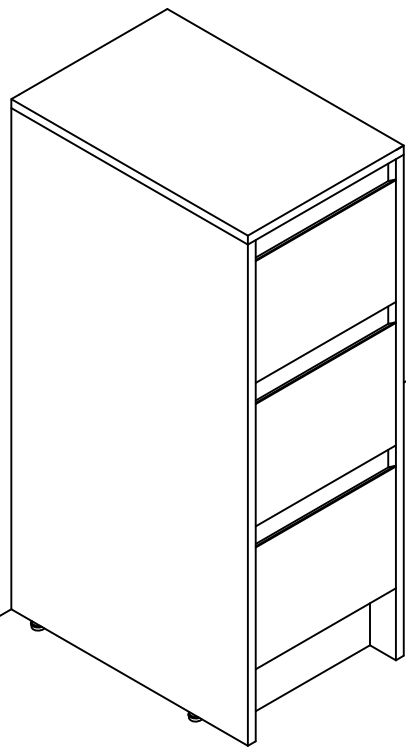
Your feedback is invaluable to us and we would love to hear about your experience. Please take the time to leave us a review.



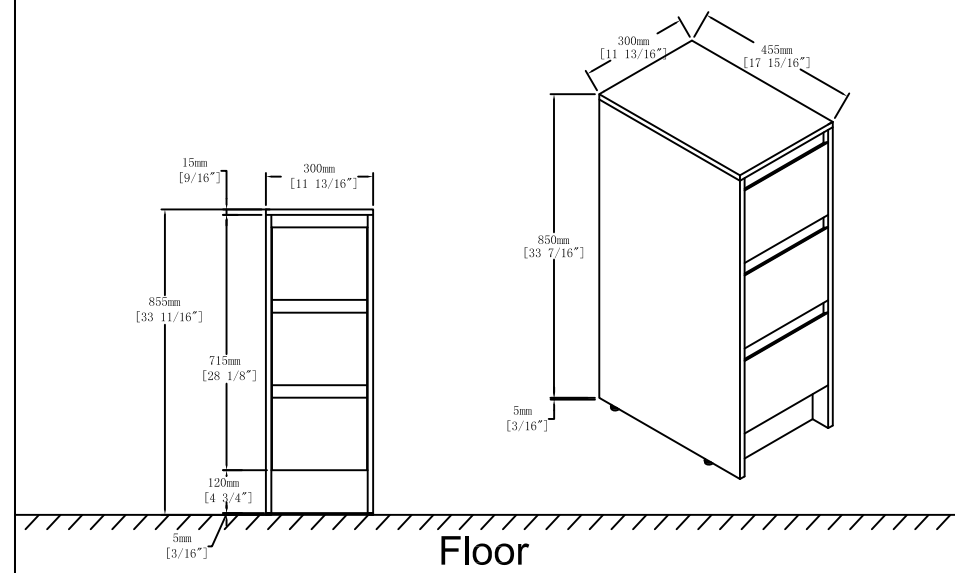
Thank you for shopping with us!

We encourage you to take a few minutes to go through this booklet. It contains important information on installation and care tips to keep your furniture looking as good as new.

Finished

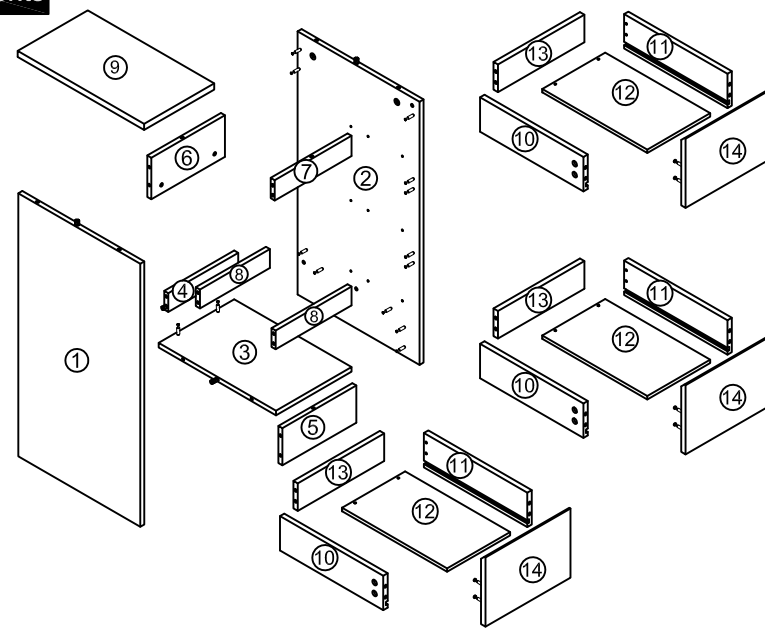


Dimensions





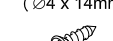
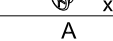

Floor

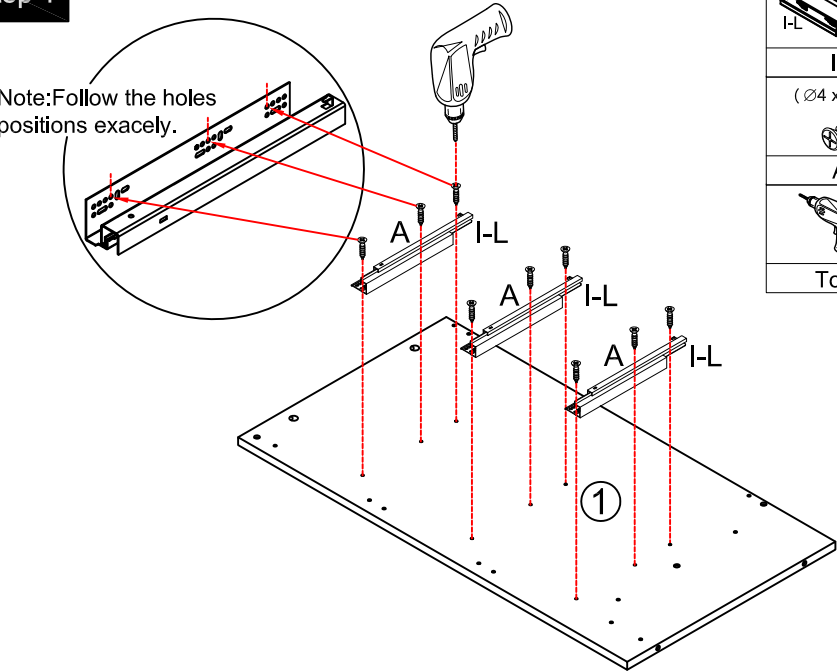
Components



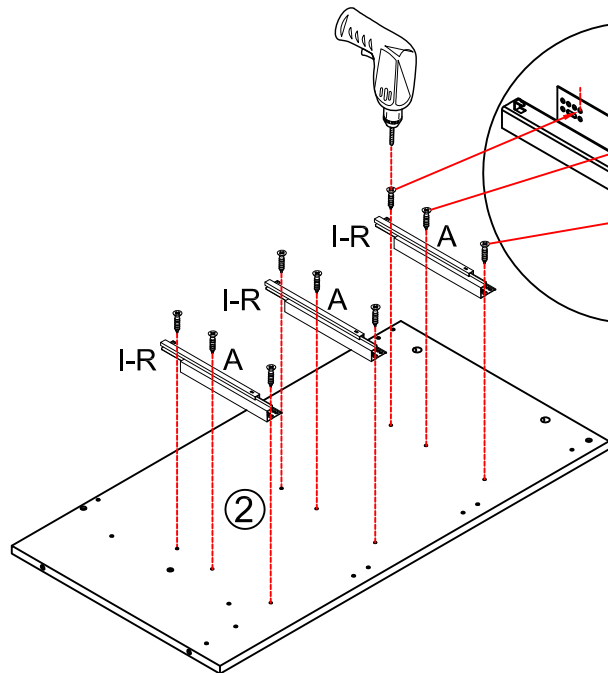
Step 1

Note: Follow the holes positions exactly.


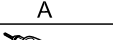

-  I-L x3
-  A
- (∅4 x 14mm)
-  x18
-  A
-  Tool

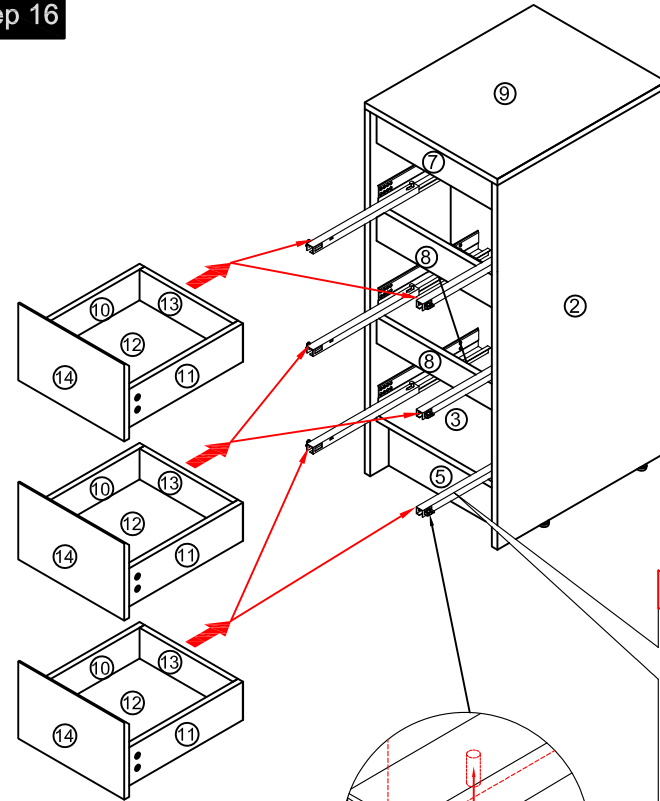


Note: Follow the holes positions exactly.

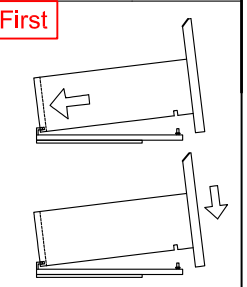


Step 16

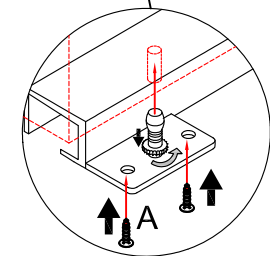
- (∅4 x 14mm)
-  x12
-  A
-  Tool



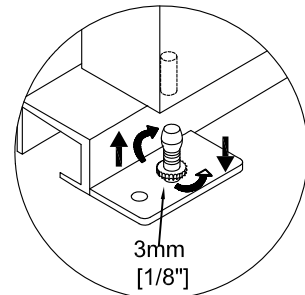
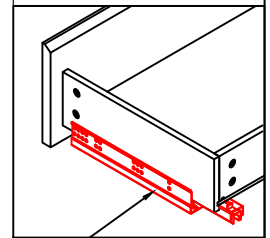
First



Third step: The bottom of the rail is fixed with screw A.

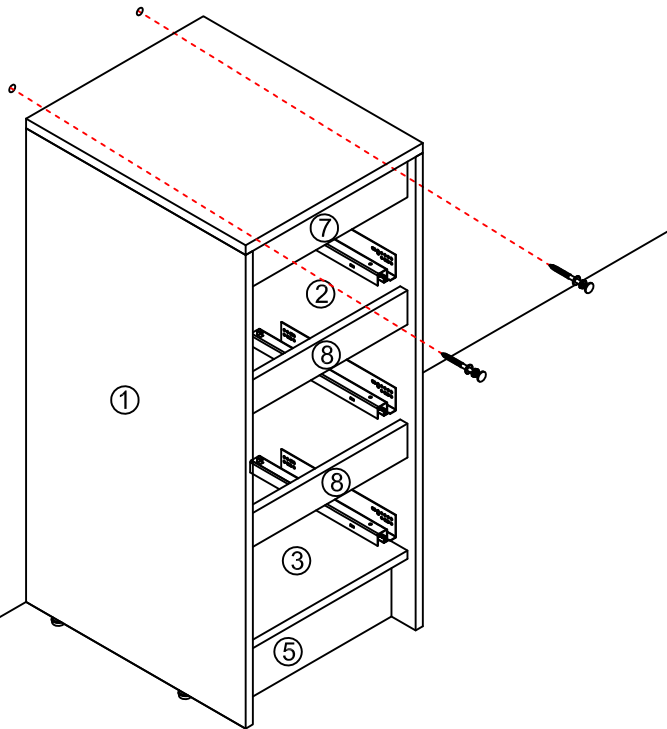
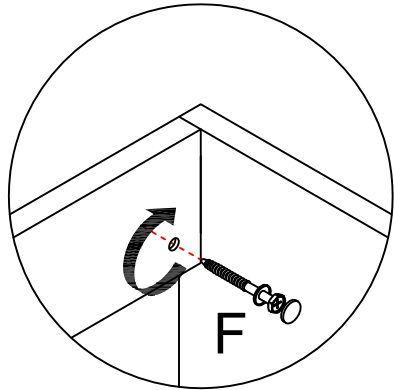
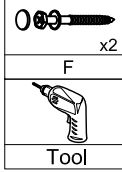


Second step: Tuck the rear holes.

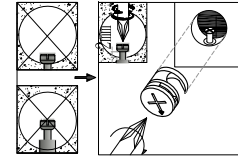
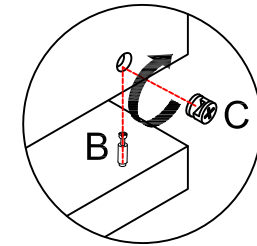
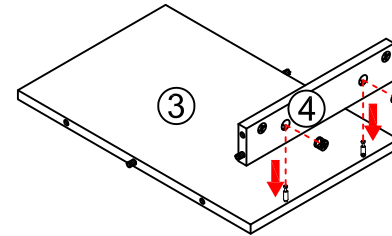
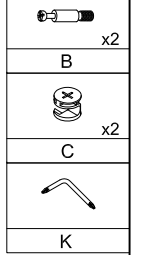


Note: The rails adjust their height 3mm.

Step 15

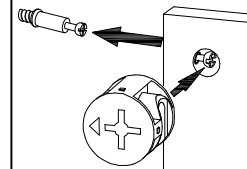


Step 2

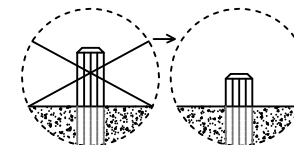
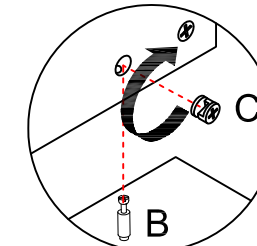
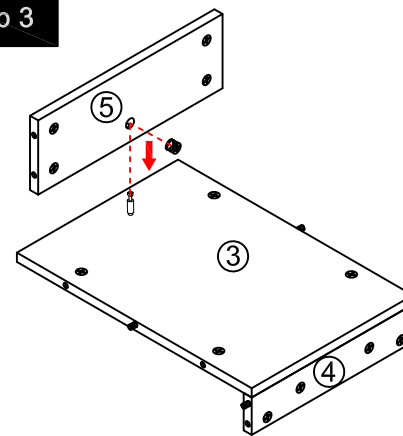
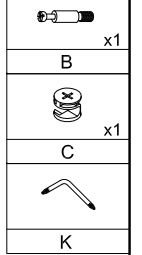


Notes: Screw installation depth as shown

Attention: Cam lock arrow point to the steel rod.



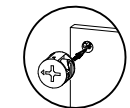
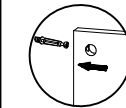
Step 3



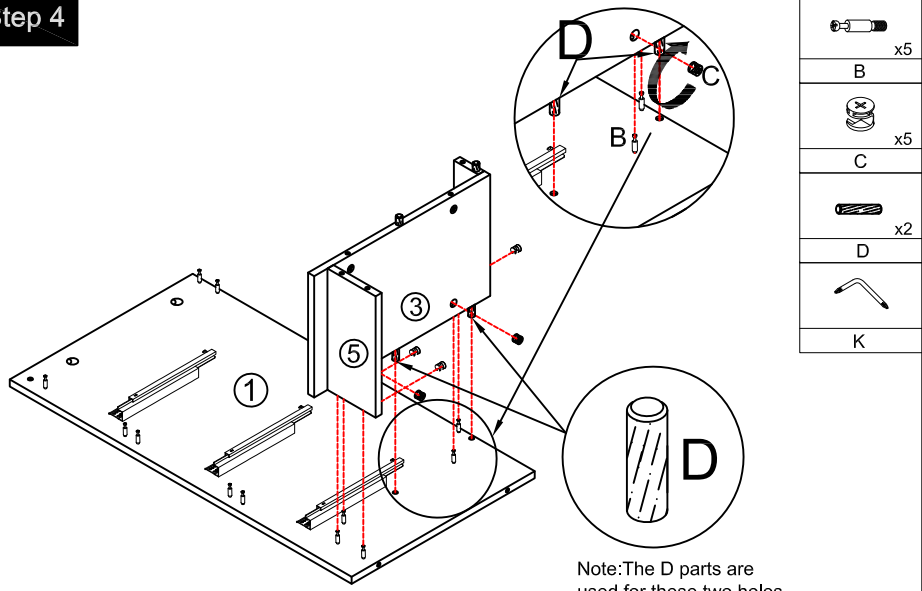
first step

second step

third step



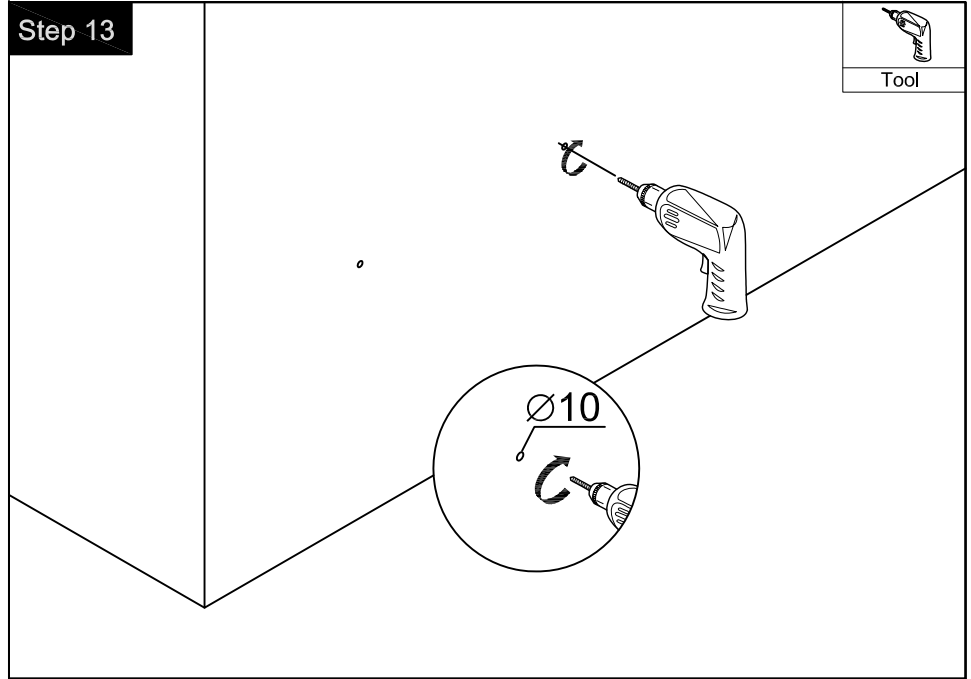
Step 4



Note: The D parts are used for these two holes

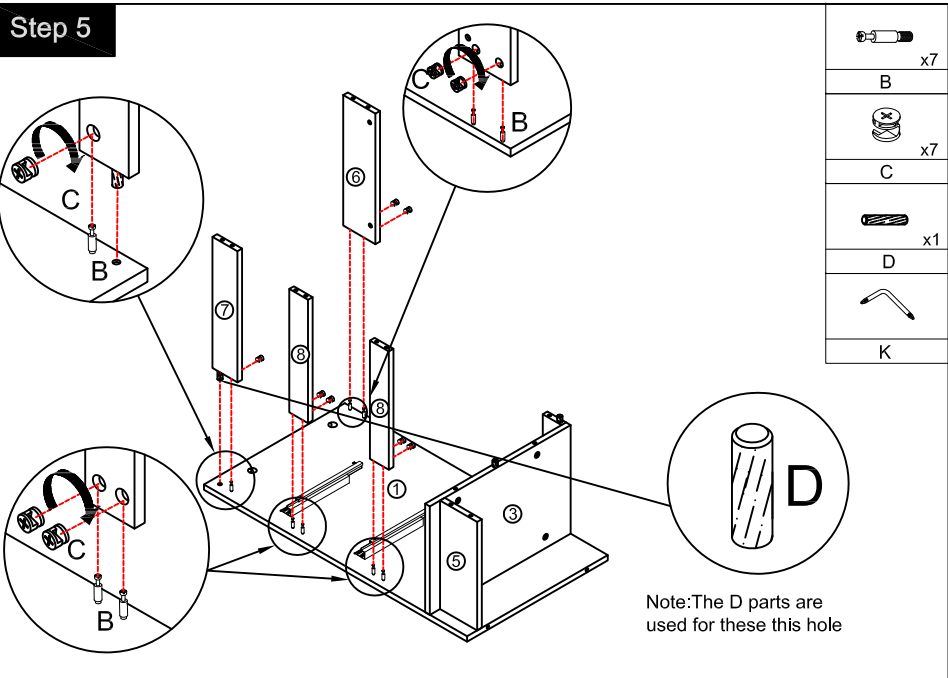
- x5
- B x5
- C x2
- D x2
- K

Step 13



- Tool
- x2

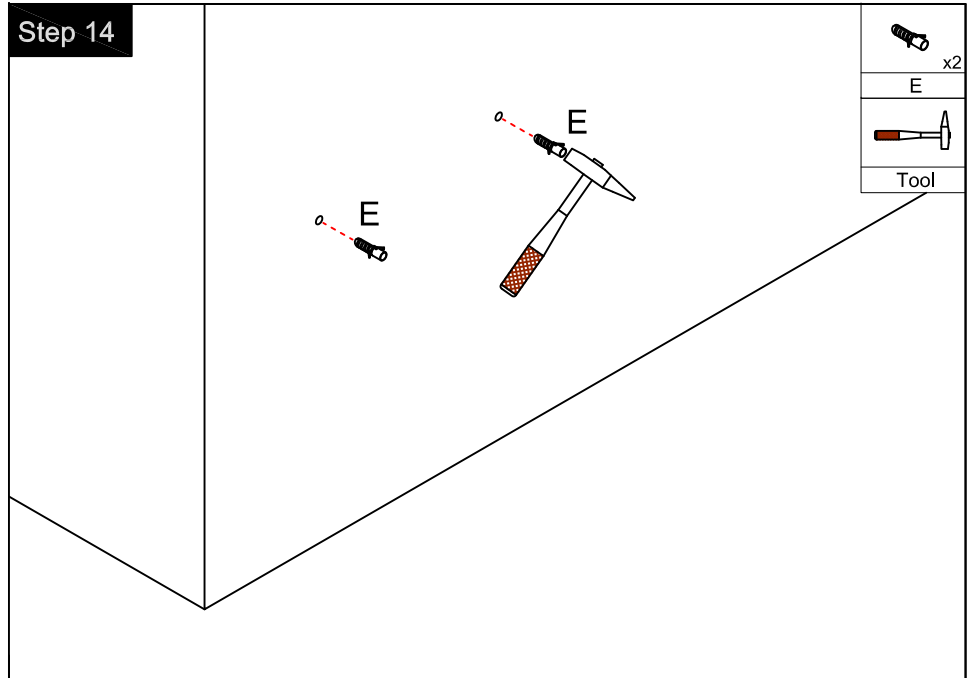
Step 5



Note: The D parts are used for these this hole

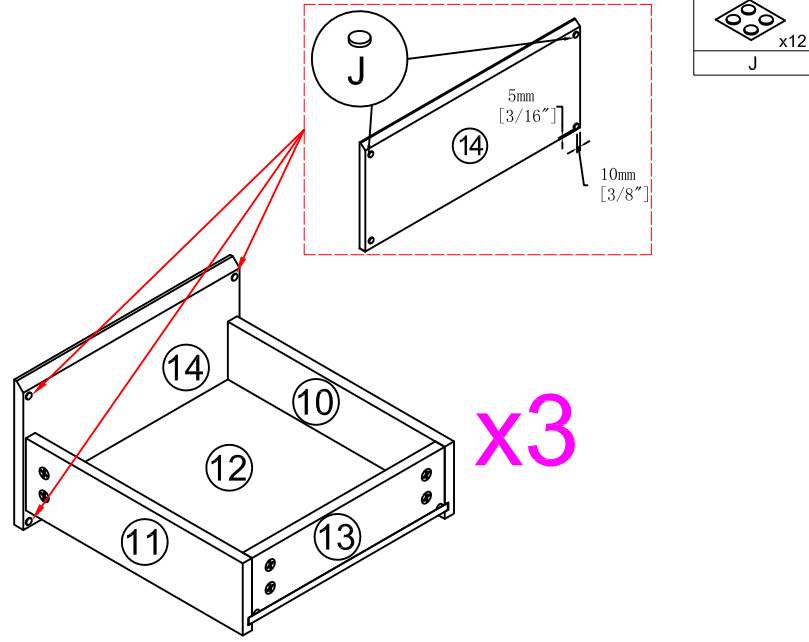
- x7
- B x7
- C x1
- D x1
- K

Step 14

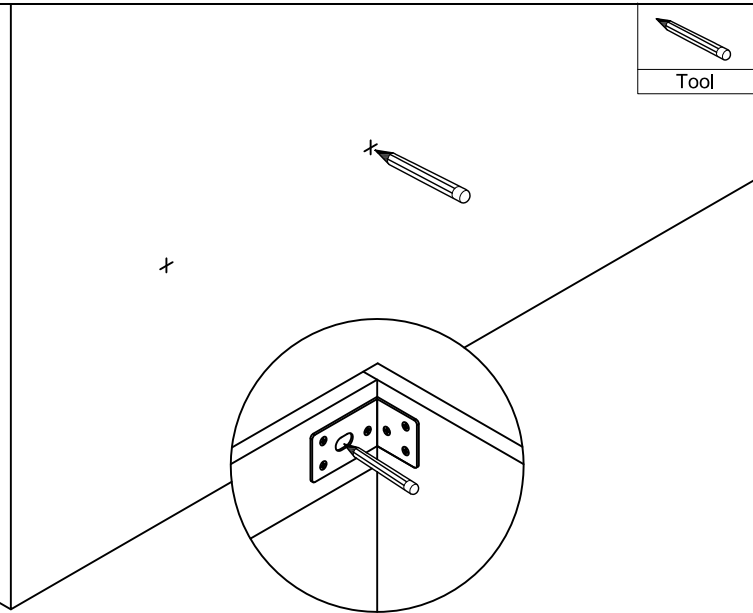


- Tool
- x2

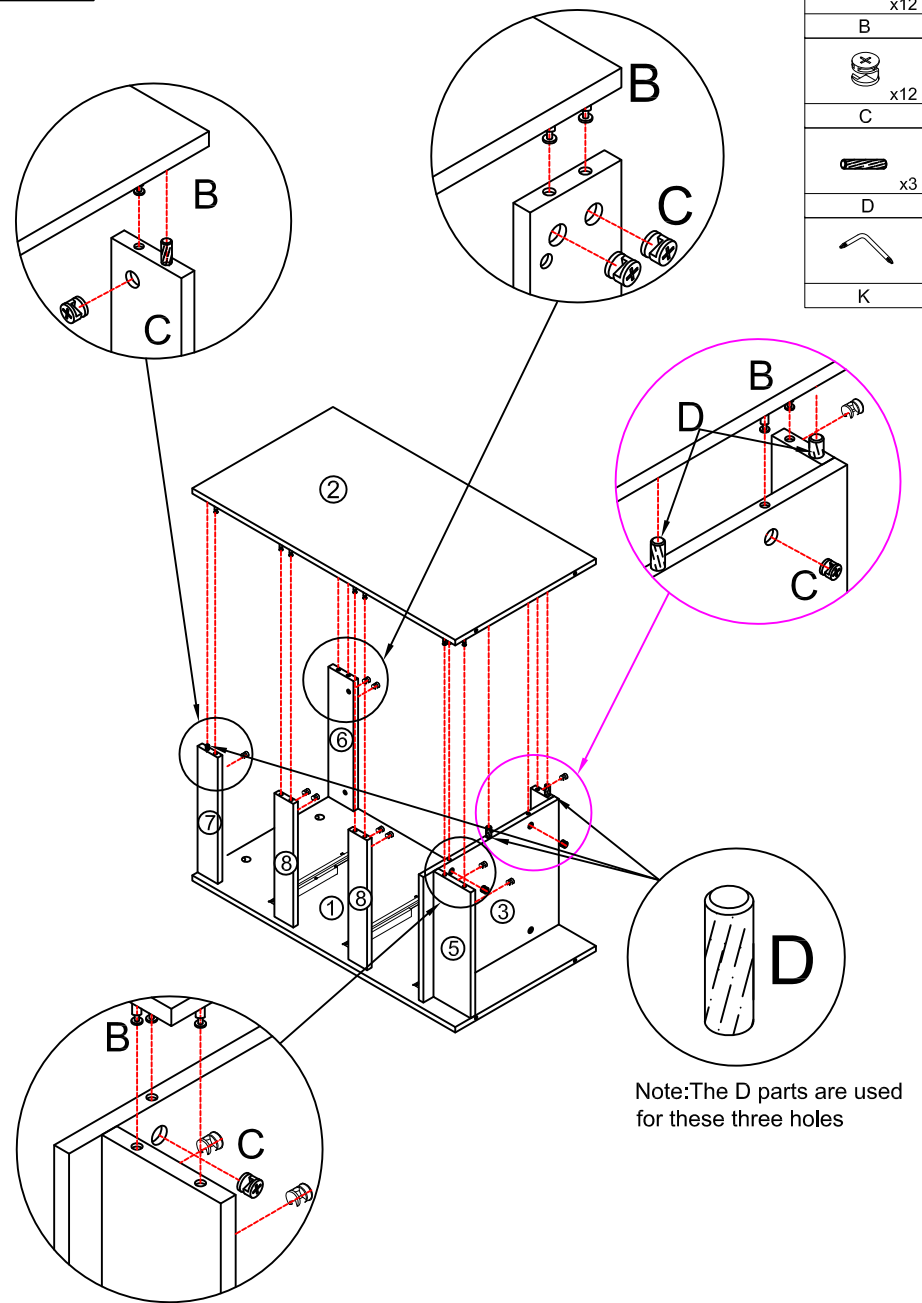
Step 11



Step 12



Step 6



Note: The D parts are used for these three holes

