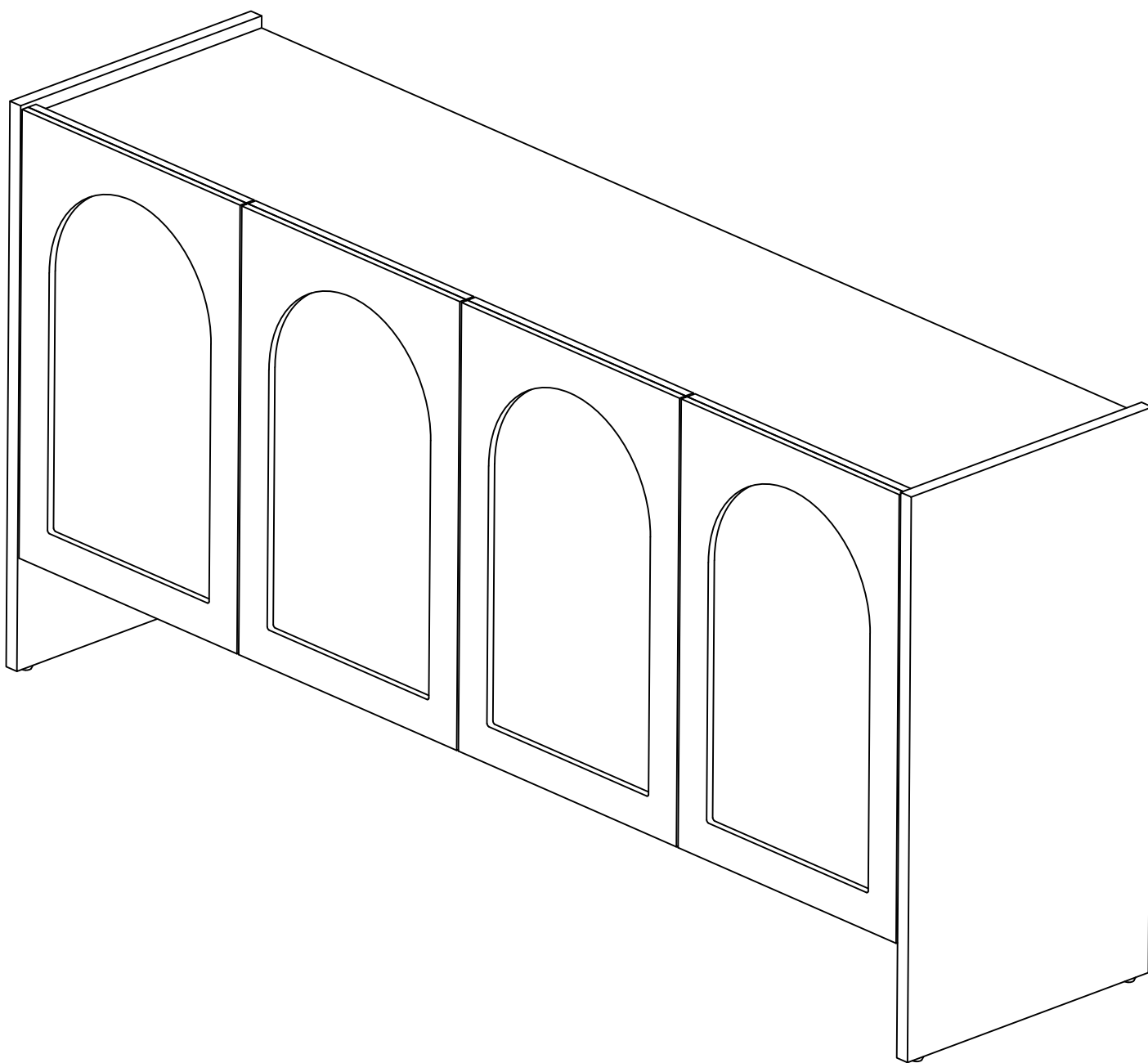


# Assembly Instructions

Caution: You must read this before you proceed

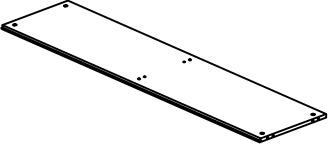
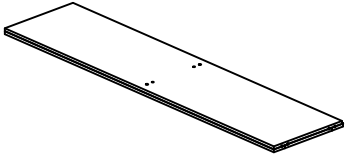
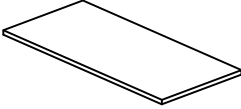
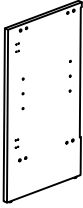
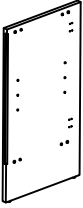
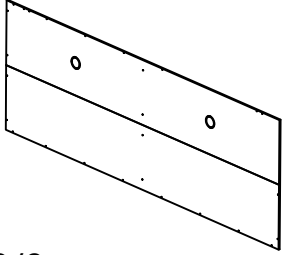
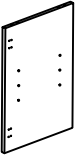
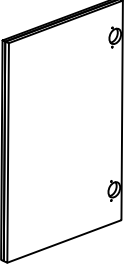

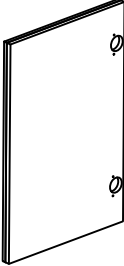
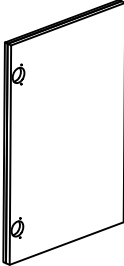

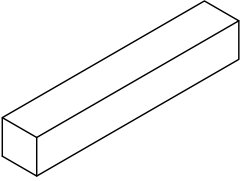
## Sideboard



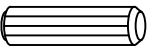
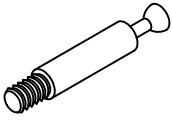

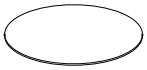
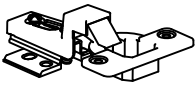
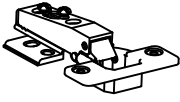


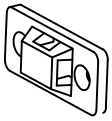
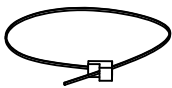
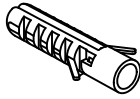



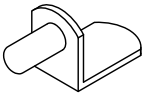
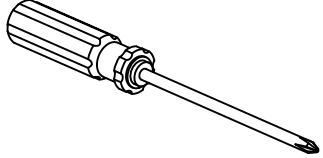
Product name:

**Sideboard**

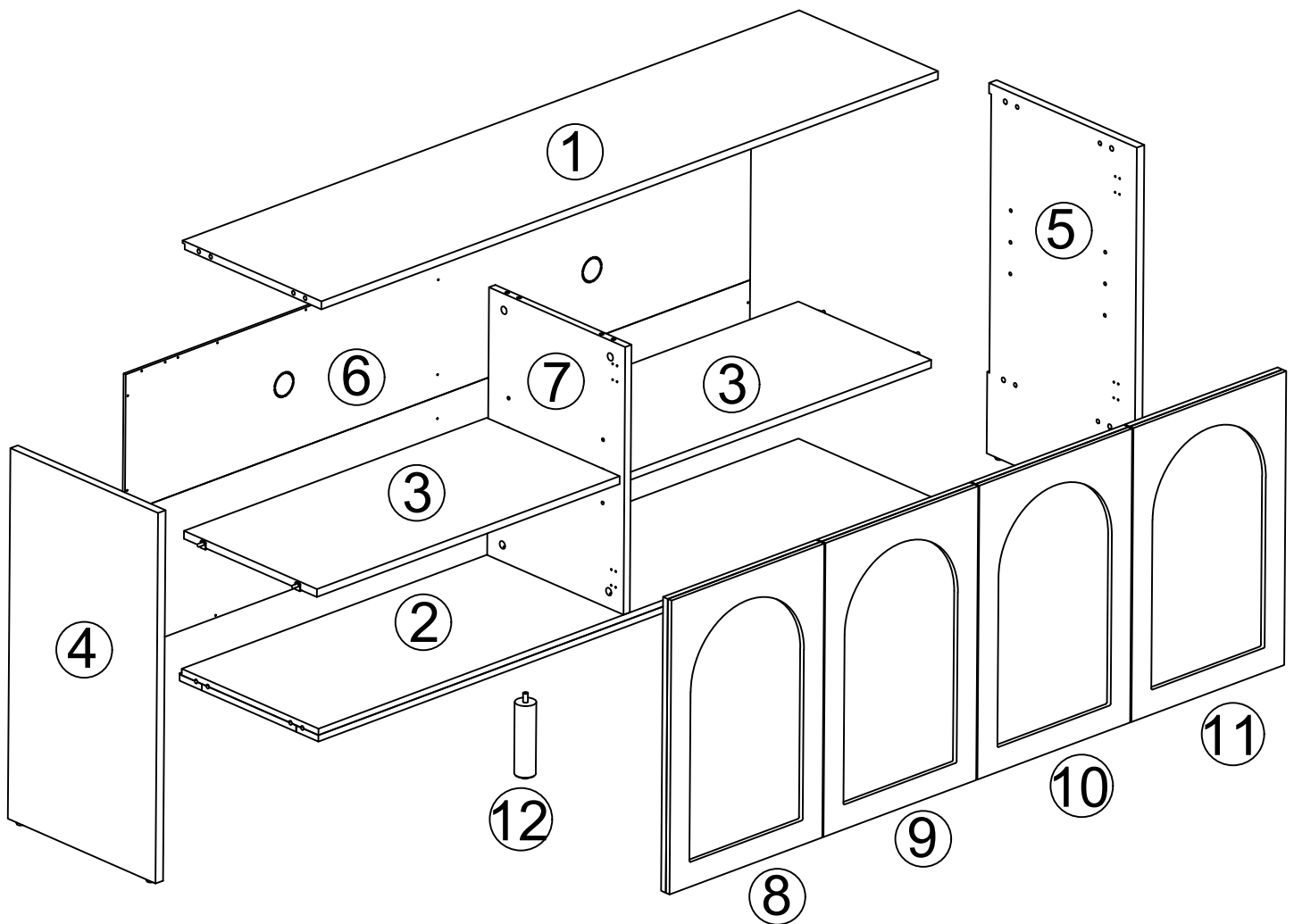
# Parts list

<p><b>1</b> Top panel</p>  <p>2/2 x 1</p>	<p><b>2</b> Bottom panel</p>  <p>2/2 x 1</p>	<p><b>3</b> The adjust shelves</p>  <p>2/2 x 2</p>	<p><b>4</b> The left side panel</p>  <p>2/2 x 1</p>
<p><b>5</b> The right side panel</p>  <p>2/2 x 1</p>	<p><b>6</b> The back panel</p>  <p>2/2 x 1</p>	<p><b>7</b> The middle panel</p>  <p>1/2 x 1</p>	<p><b>8</b> The left side door</p>  <p>1/2 x 1</p>
<p><b>9</b> The left middle door</p>  <p>1/2 x 1</p>	<p><b>10</b> The right middle door</p>  <p>1/2 x 1</p>	<p><b>11</b> The right side door</p>  <p>1/2 x 1</p>	<p><b>12</b> The middle leg</p>  <p>2/2 x 1</p>
<p><b>13</b> Hardware box</p>  <p>2/2 x 1</p>			

# Hardware

<p><b>A</b> Wood dowels</p>  <p>x 12 pcs</p>	<p><b>B</b> Cam bolts</p>  <p>x 12 pcs</p>	<p><b>C</b> Cam locks</p>  <p>x 12 pcs</p>	<p><b>D</b> Cam cover</p>  <p>x 12 pcs</p>
<p><b>E</b> Larger cuts for side doors</p>  <p>x 4 pcs</p>	<p><b>F</b> Smaller cuts fit in the middle doors</p>  <p>x 4 pcs</p>	<p><b>G</b> Ø4x16mm screws</p>  <p>x 48 pcs</p>	<p><b>H</b> M3.5x15mm screws</p>  <p>x 28 pcs</p>
<p><b>I</b> Mounting Brackets</p>  <p>x 4 pcs</p>	<p><b>J</b> Nylon Restraint Strap</p>  <p>x 2 pcs</p>	<p><b>K</b> Plastic Anchor (Wall Plug)</p>  <p>x 4 pcs</p>	<p><b>L</b> M3x16mm</p>  <p>x 4 pcs</p>
<p><b>M</b> M3.5x35mm</p>  <p>x 4 pcs</p>	<p><b>N</b> Phillips/Hex L Wrench</p>  <p>x 1 pc</p>	<p><b>O</b> Bracket</p>  <p>x 8 pcs</p>	<p>Tools required (not included):</p>  <p>x 1 pc</p>

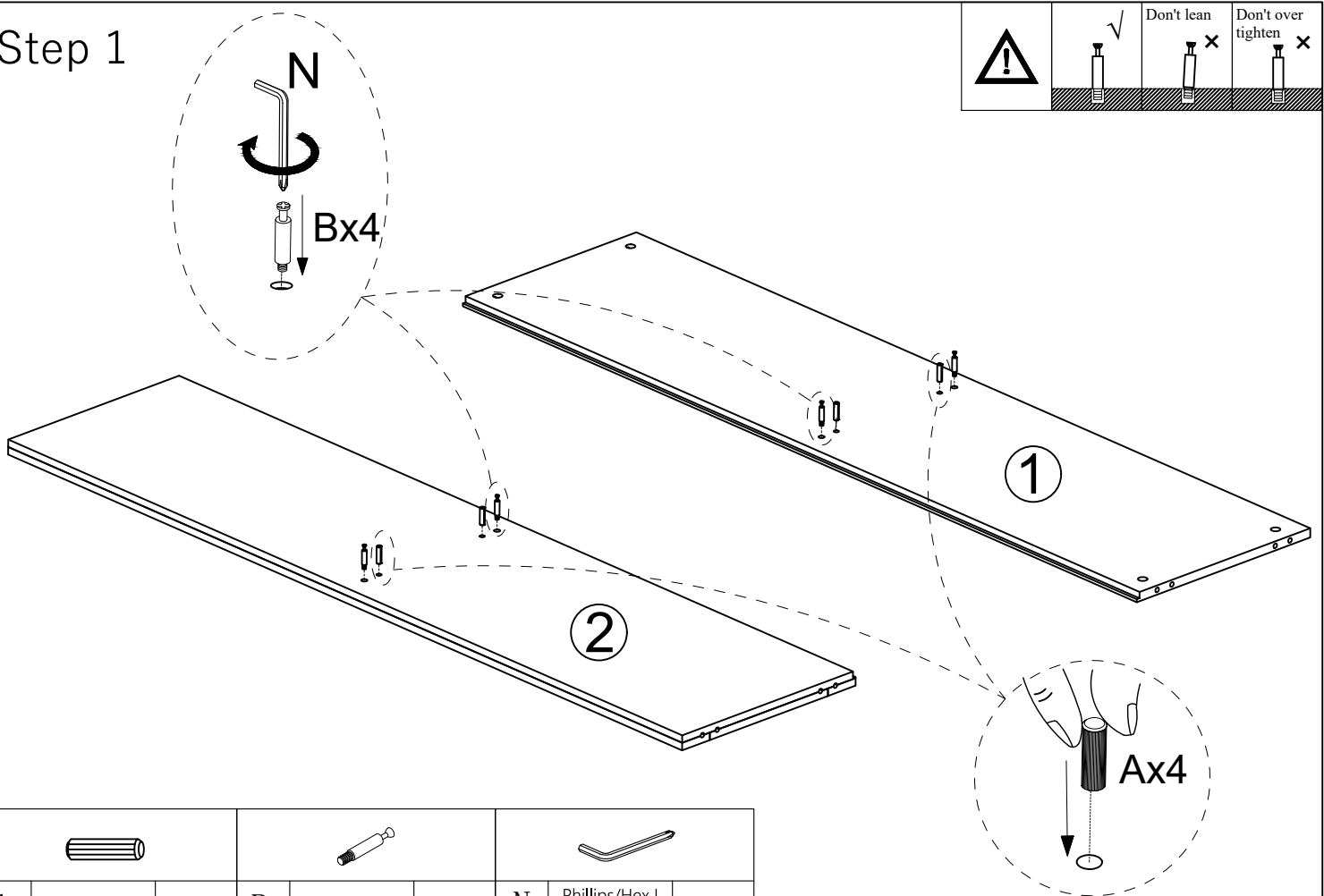
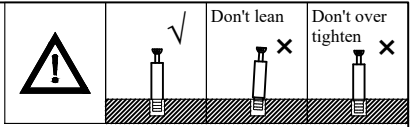
# Overview



## IMPORTANT :

- Read the instructions carefully from cover to cover.
- Do not assemble on flooring or carpet.
- Assemble on a clean non-marring surface (packing foam).
- Save all packaging until finished.
- Do not tighten bolts / screws completely until all bolts / screws are lined up and inserted into holes.
- Do not over tighten screws and bolts to avoid stripping.
- Please always use hand tools to assemble this product and never use power tools.

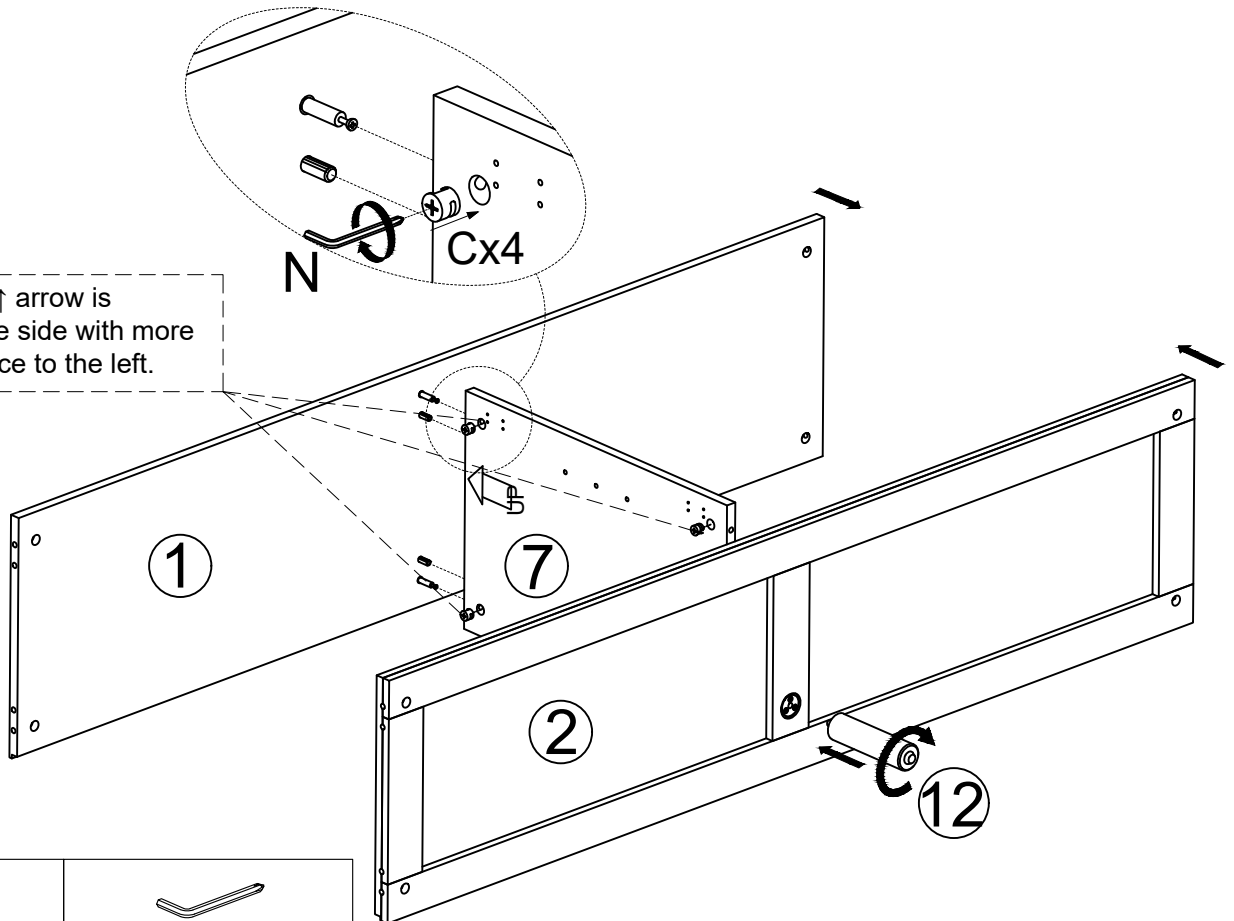
# Step 1



A Wood dowels 4PCS	B Cam bolt 4PCS	N Phillips/Hex L Wrench 1PC

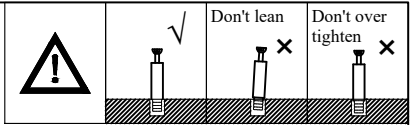
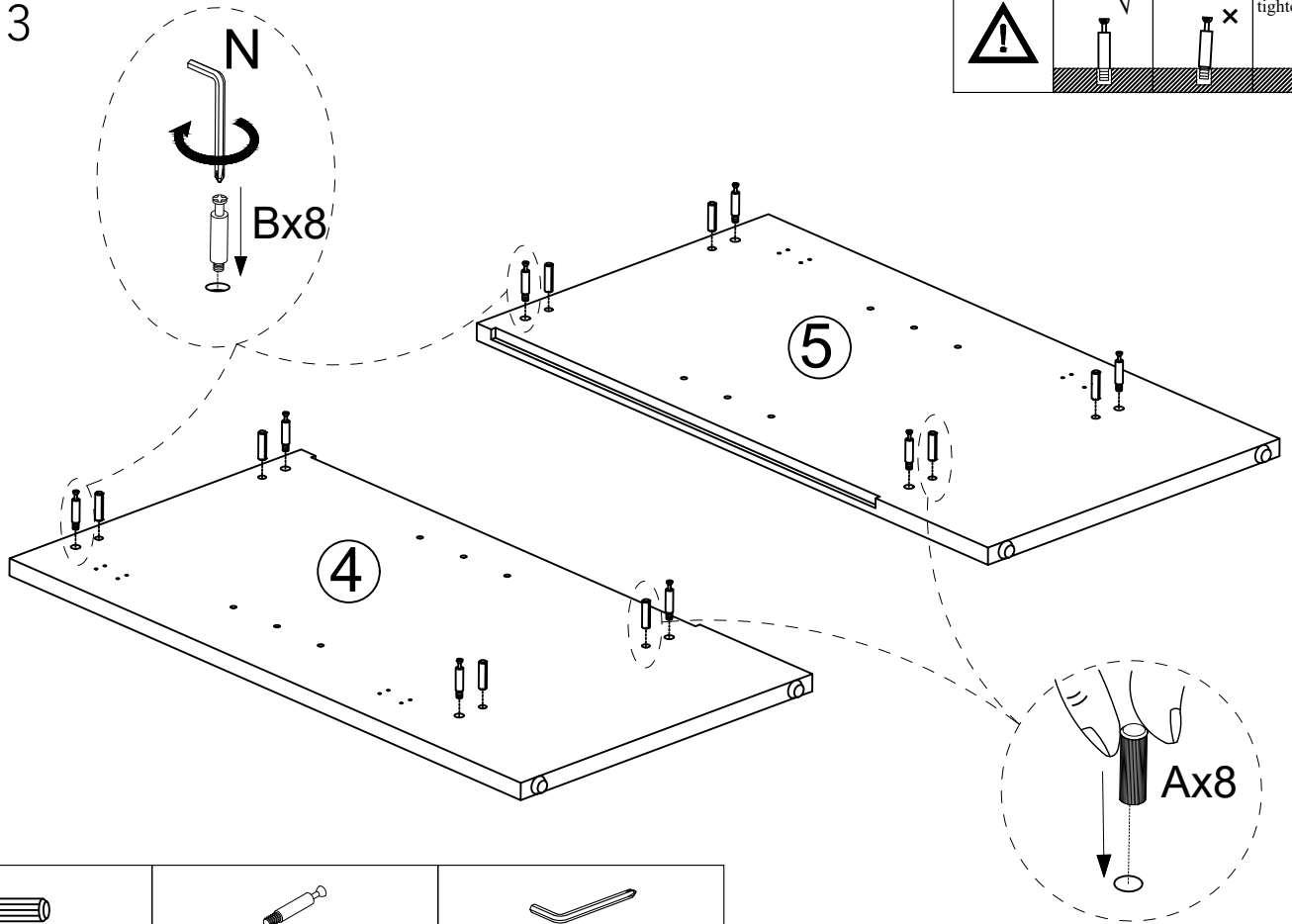
# Step 2

Make sure the ↑ arrow is pointing up. The side with more holes should face to the left.



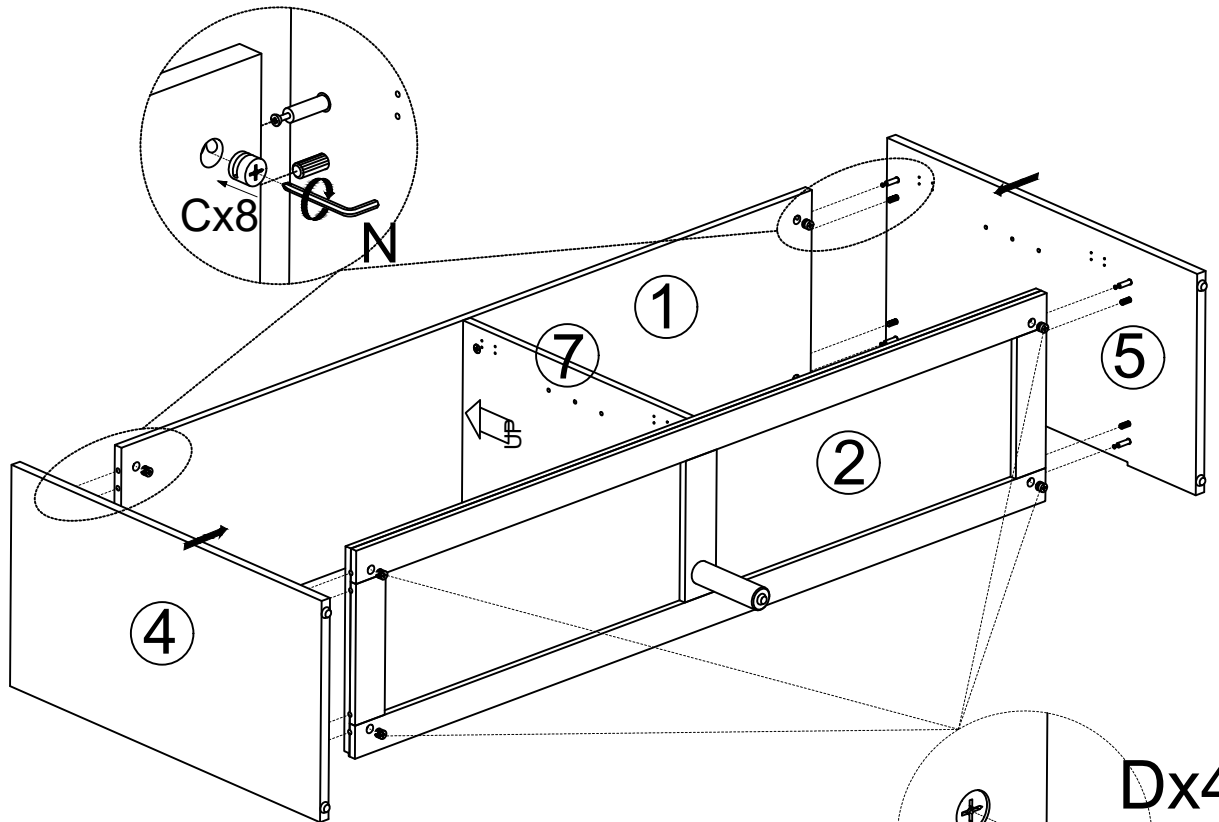
C Cam locks 4PC	N Phillips/Hex L Wrench 1PC

# Step 3

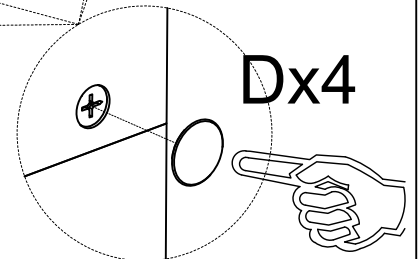


A Wood dowels 8PCS	B Cam bolt 8PCS	N Phillips/Hex L Wrench 1PC

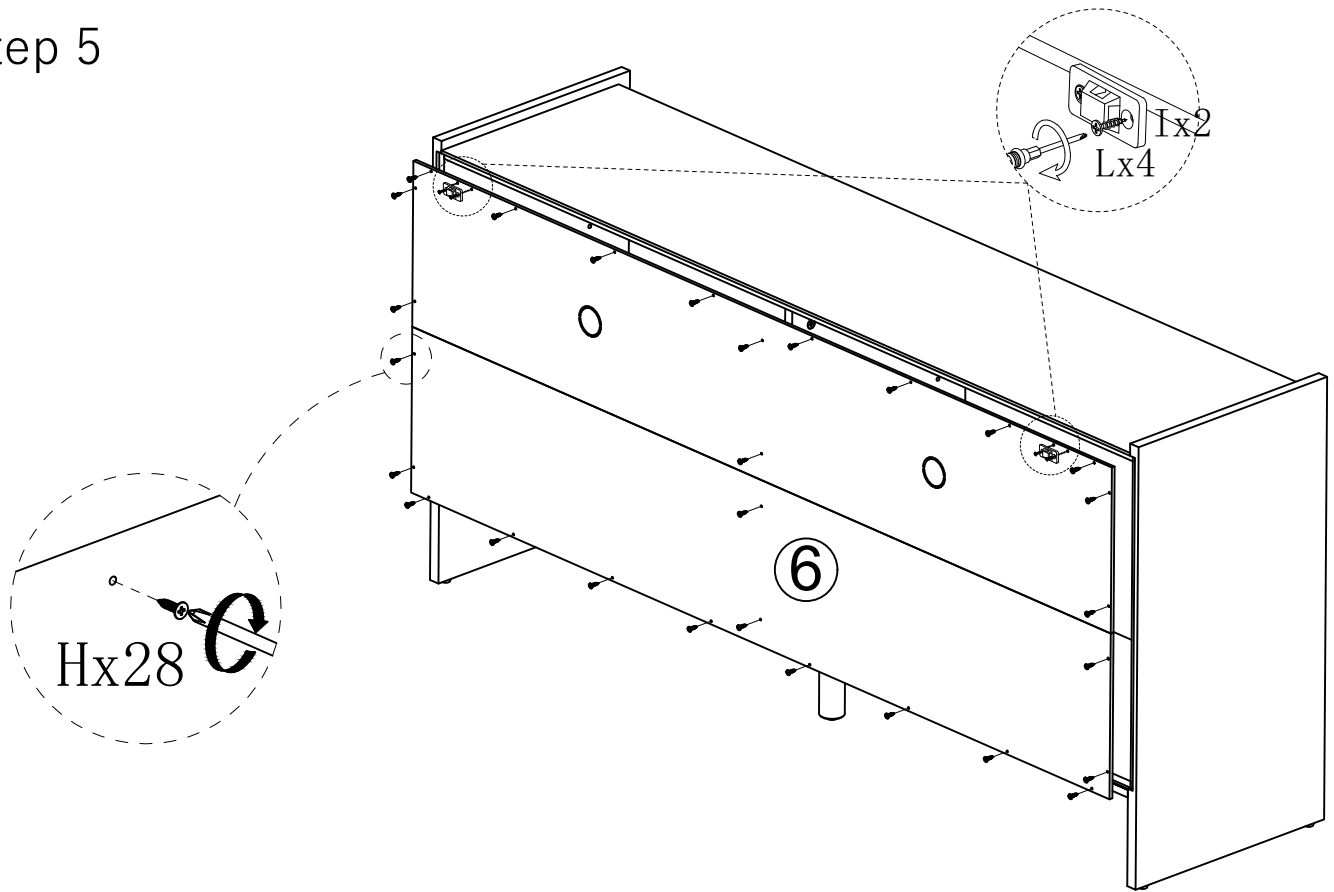
# Step 4


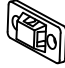

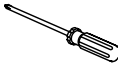


C Cam locks 8PC	N Phillips/Hex L Wrench	D Cam cover 4PCS

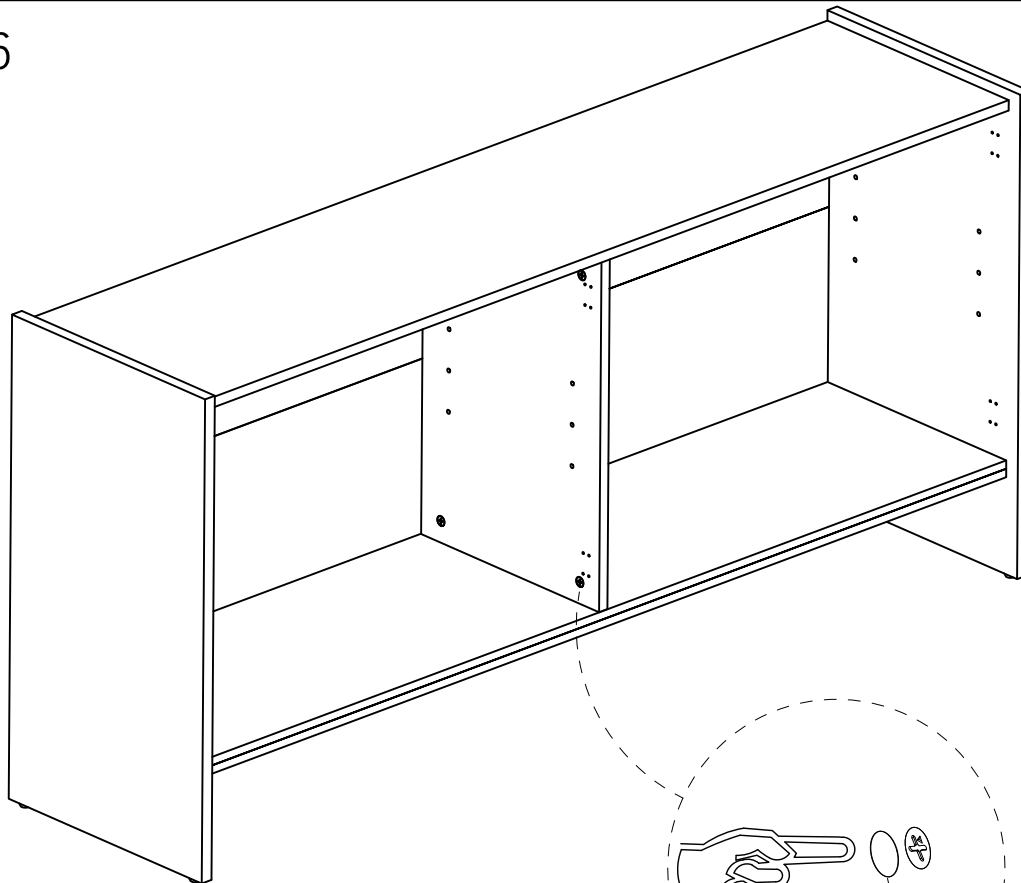



# Step 5



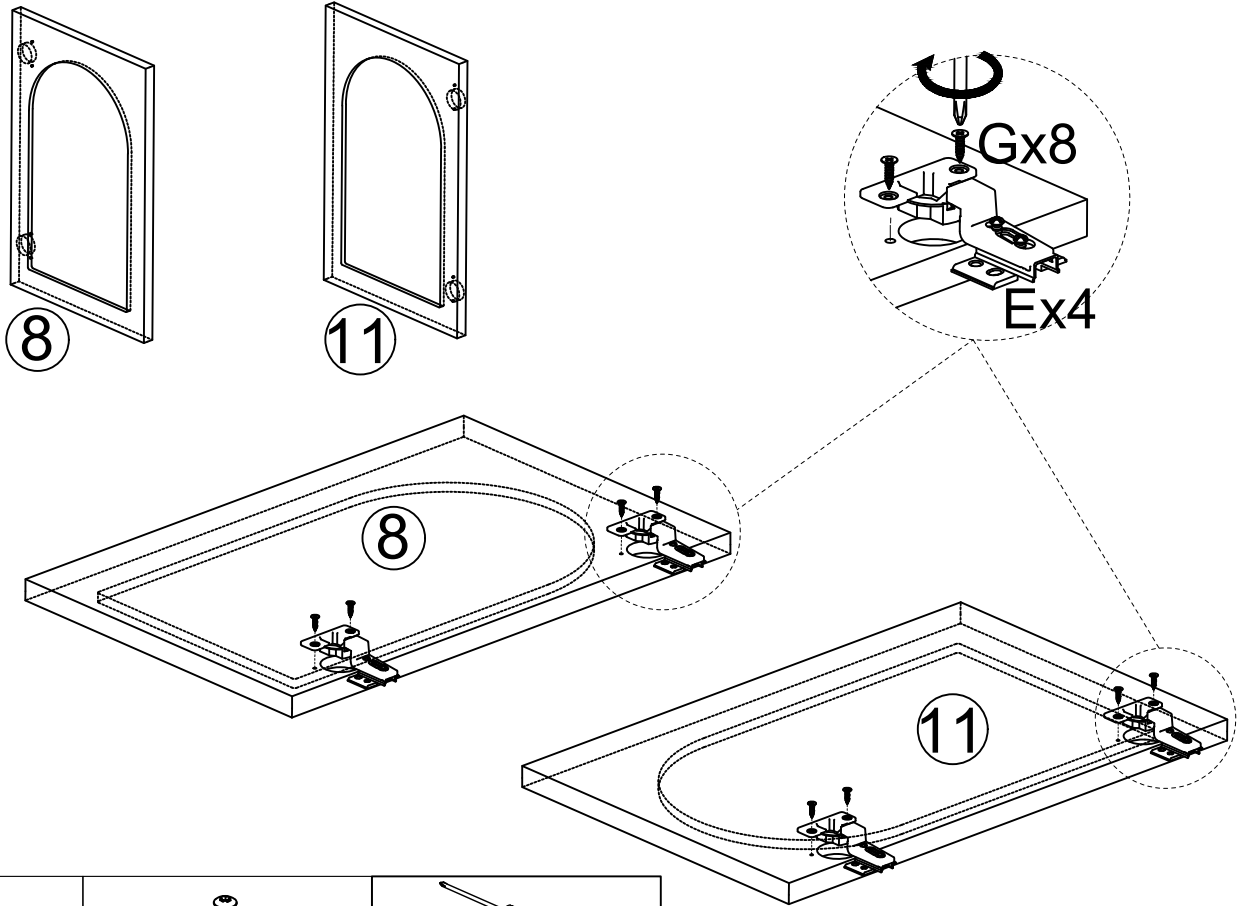
									
H	M3.5x15mm screws	28PCS	I	Mounting Brackets	2PCS	L	M3x16mm	4PCS	Not included

# Step 6



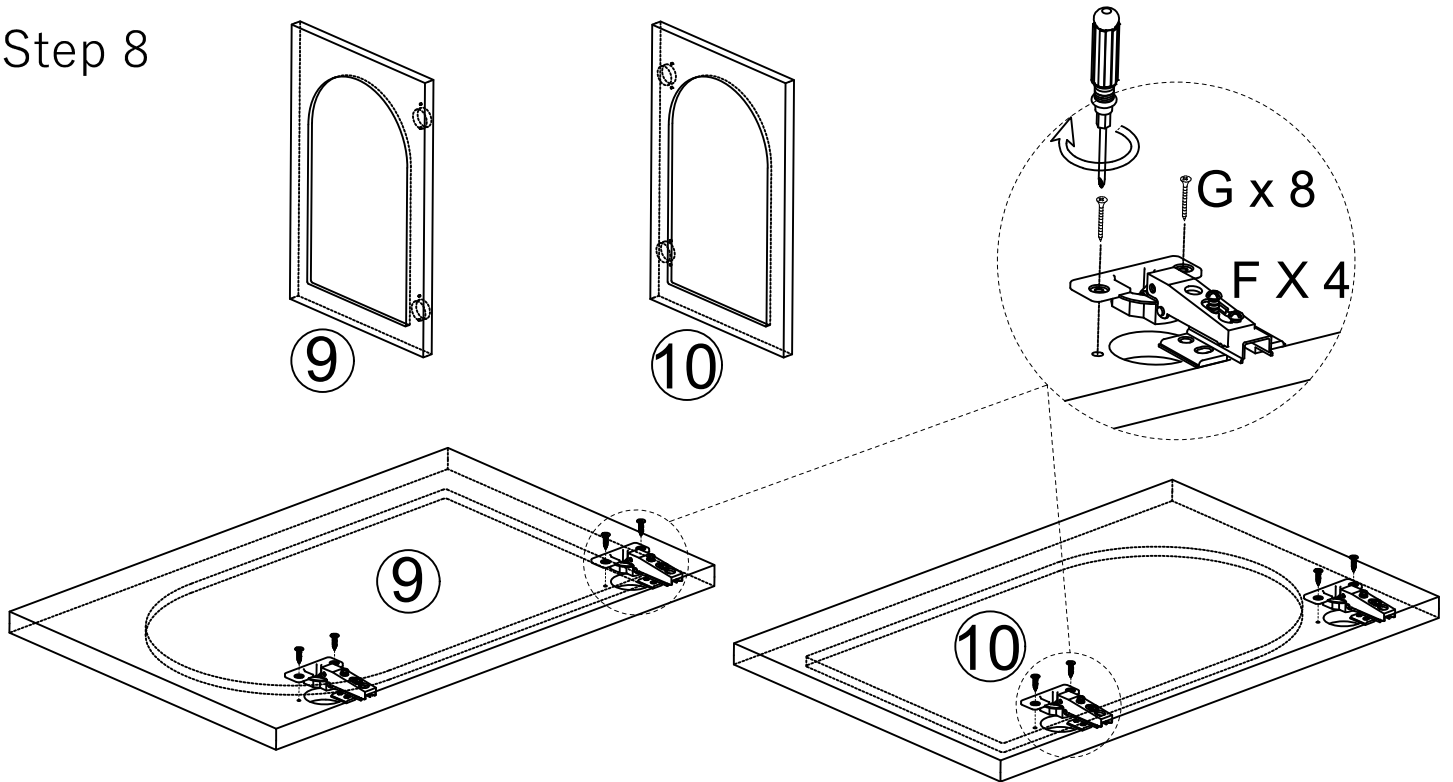
		
D	Cam cover	8PCS


## Step 7



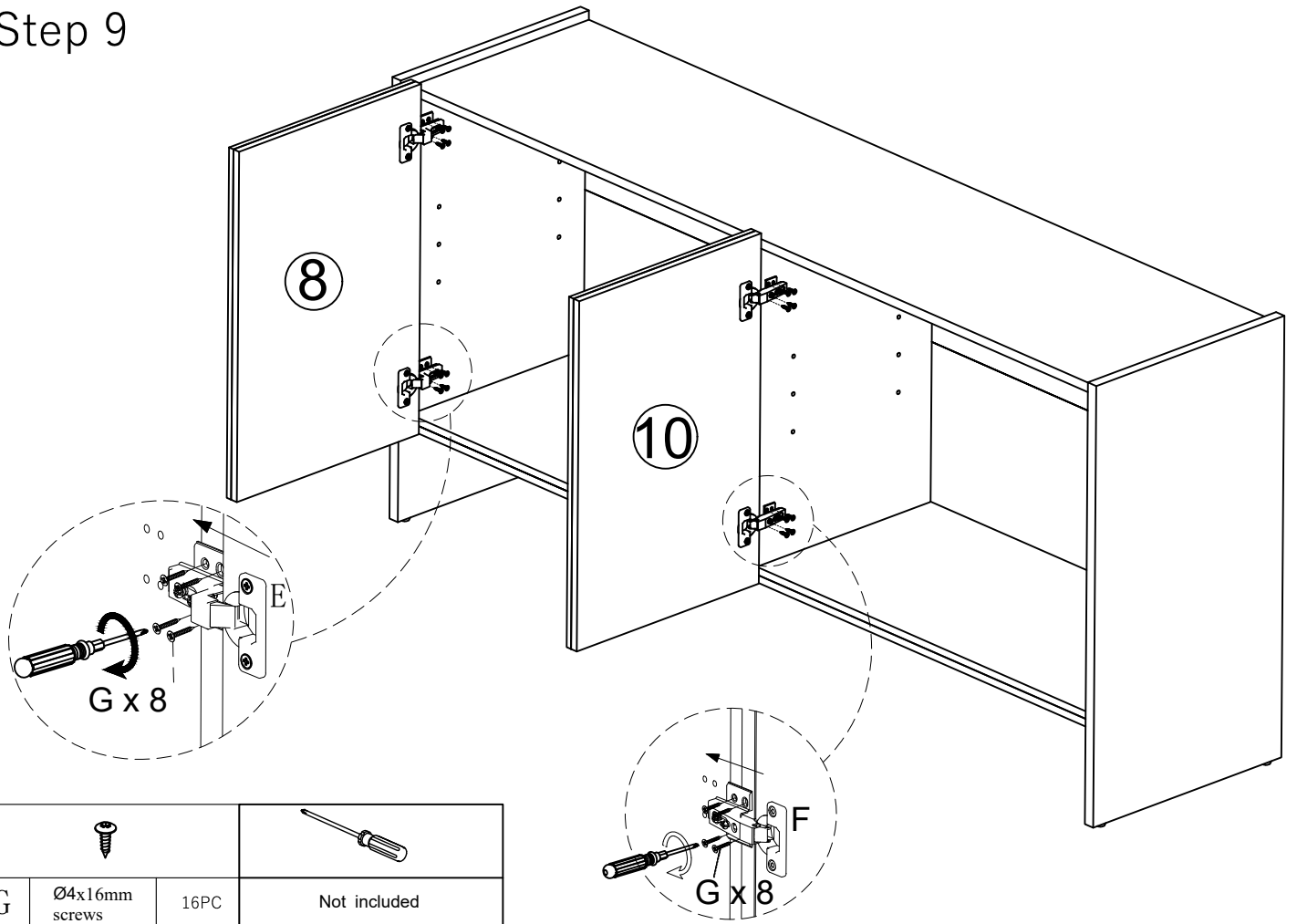
					
E	Larger cuts for side doors	4PC	G	Ø4x16mm screws	8PC
Not included					


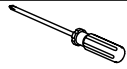
## Step 8



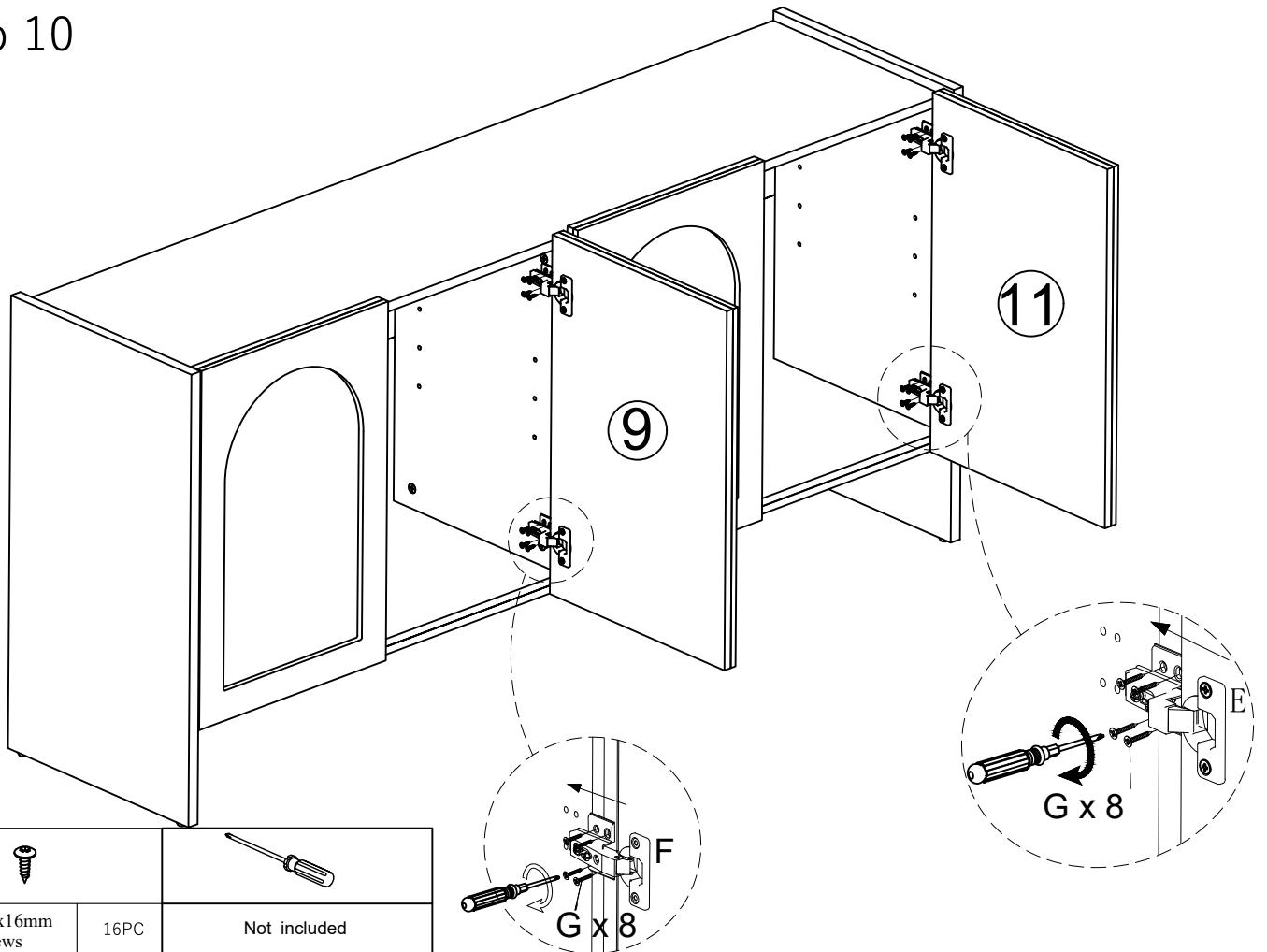
					
F	Smaller cuts fit in the middle doors	4PC	G	Ø4x16mm screws	8PC
Not included					


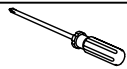
# Step 9



		
G	Ø4x16mm screws 16PC	Not included

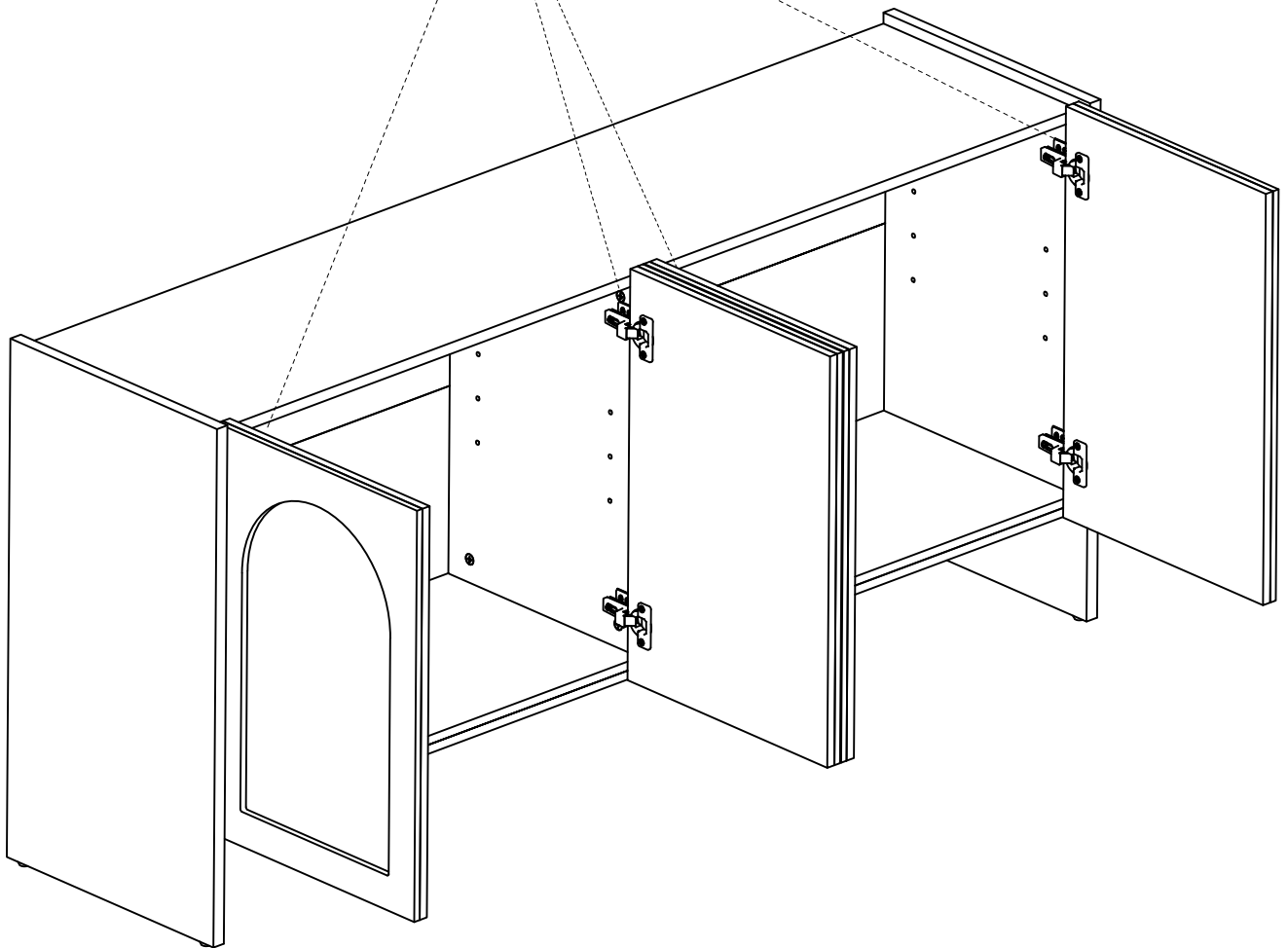
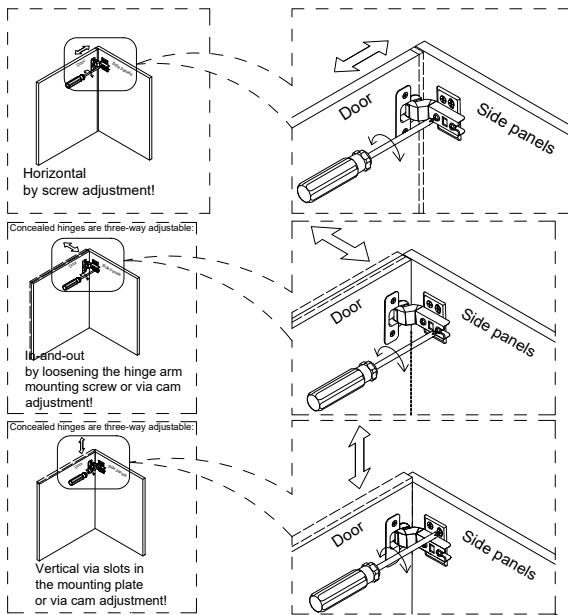
# Step 10



		
G	Ø4x16mm screws 16PC	Not included

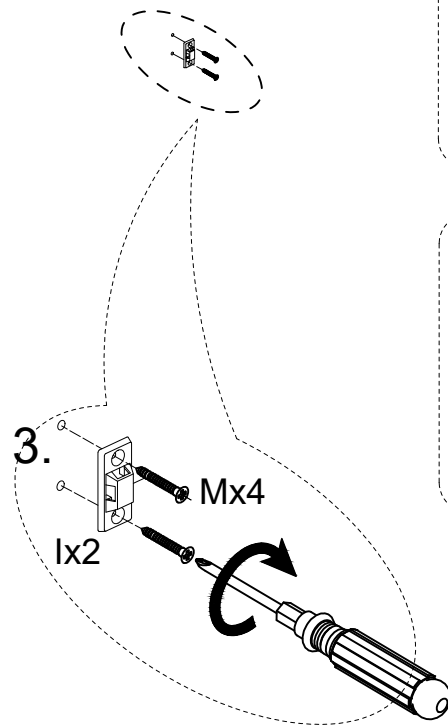
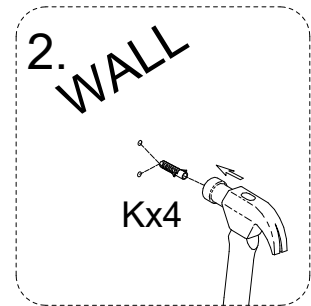
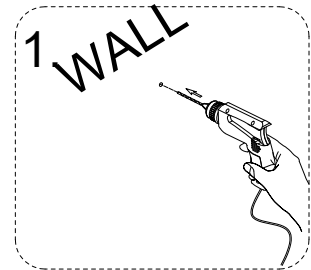
# Step 11




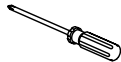
Note: Concealed hinges are three-way adjustable.



# Step 20

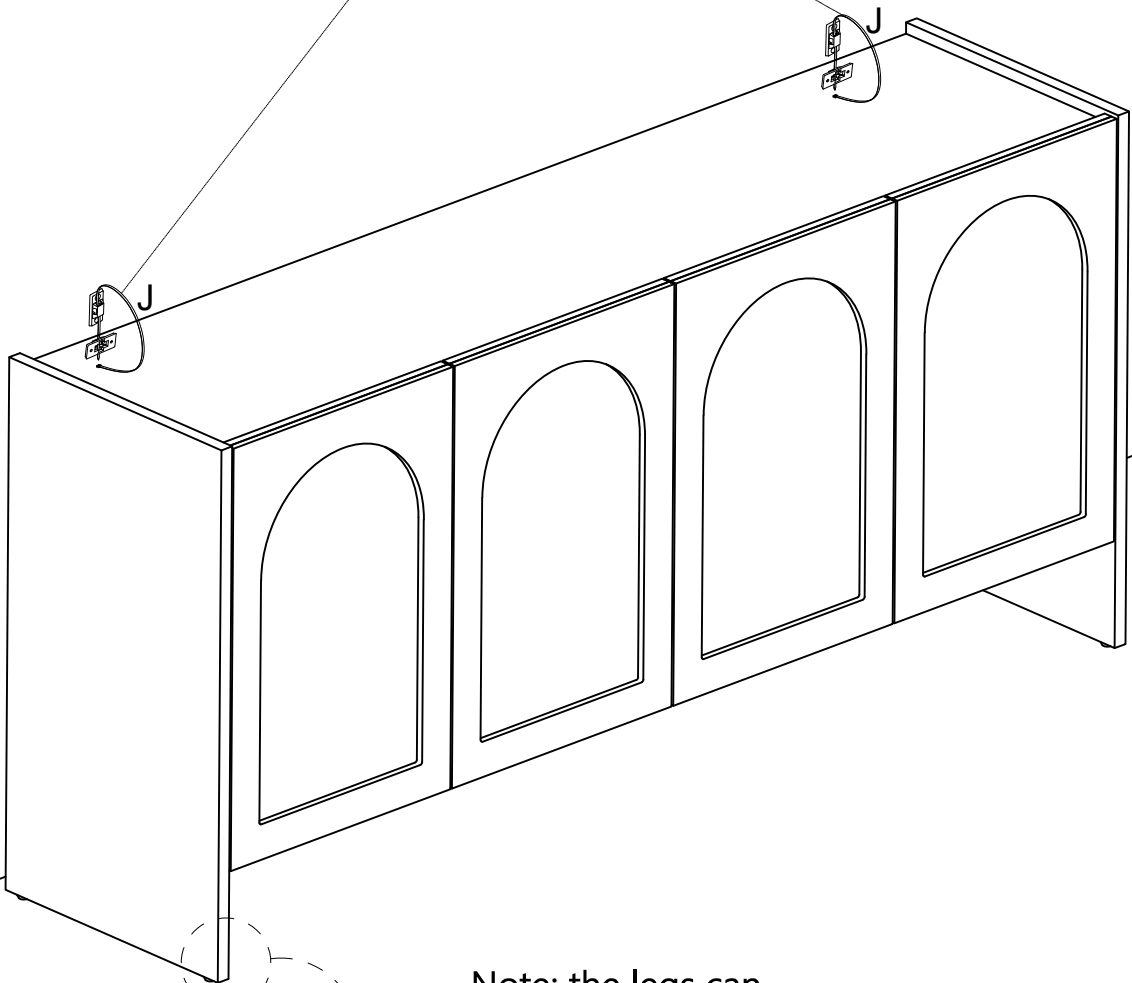
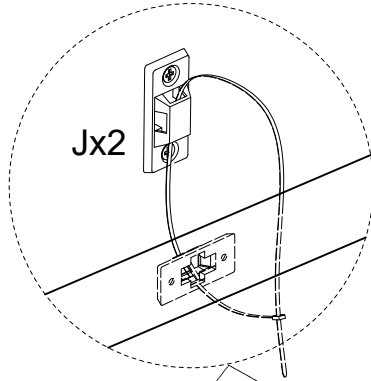
WALL



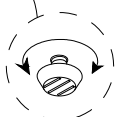
									
I	Mounting Brackets	2PCS	K	Plastic Anchor (Wall Plug)	4PCS	M	M3.5x35mm	4PCS	Not included

# Step 21

WALL



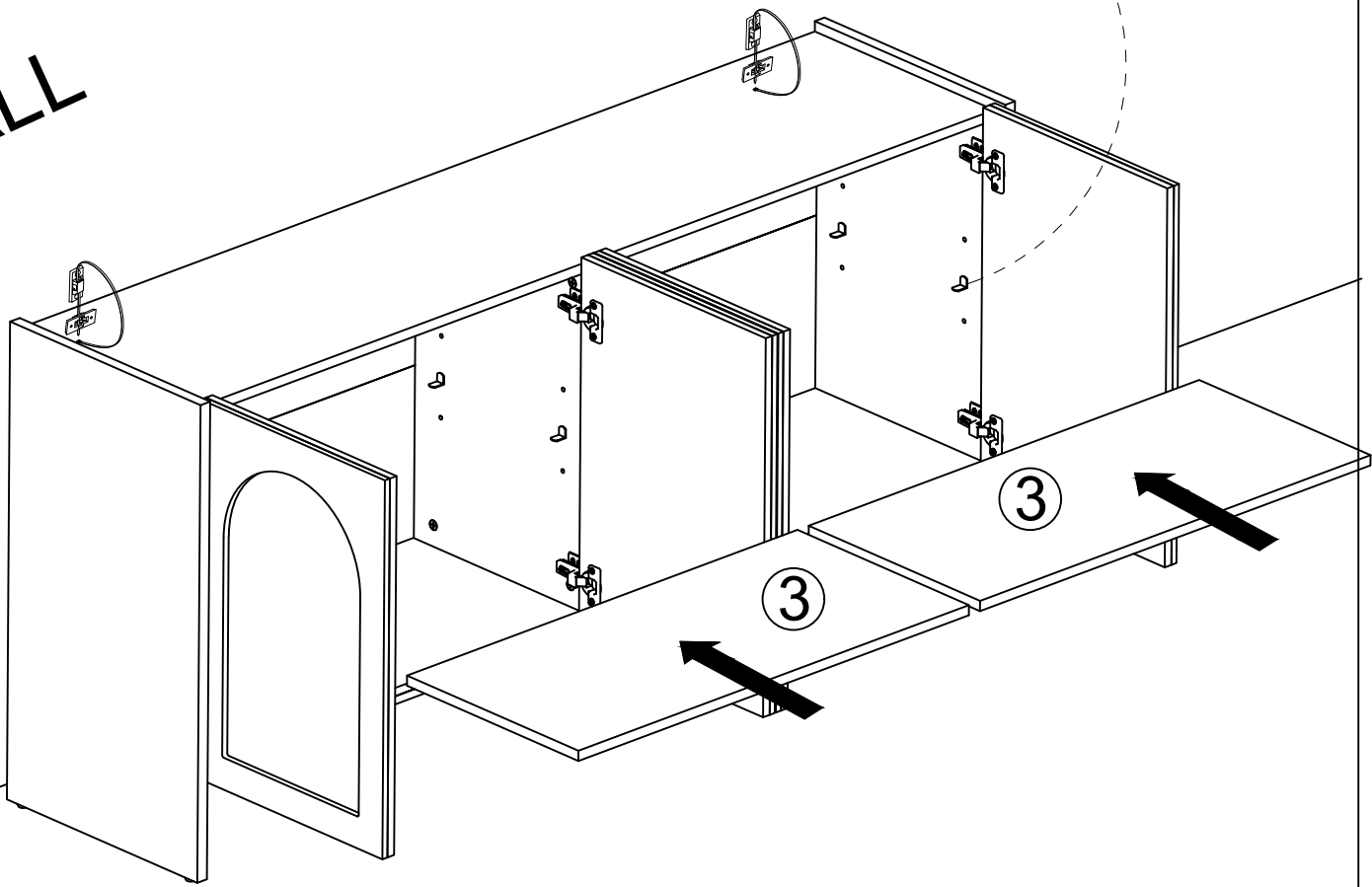
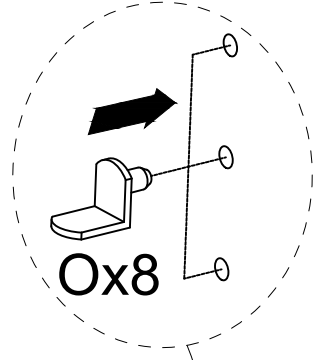
		
J	Nylon Restraint Strap	2PCS




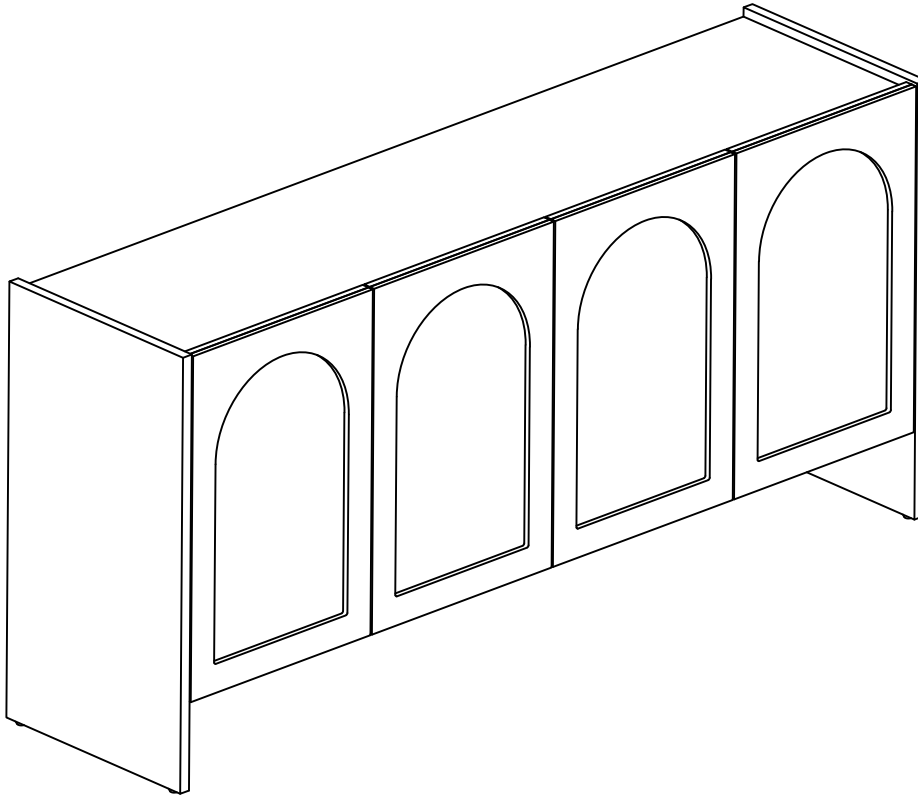
Note: the legs can be adjusted with adjustable leveler.

# Step 22

WALL



		
0	Bracket	8PCS



Your Item is ready for use.

This Item should only be used on a flat, level surface.

## **Care & Maintenance**

- Furniture may scratch the floor. We recommend using furniture pads to protect your floors.
- Avoid placing heavy objects on the tabletop.
- Do not put hot items directly on furniture surface.
- Do not clean furniture with harsh cleansers or polishers.
- Do not place furniture under direct sunlight.
- Do not place furniture near heating or cooling vents.
- Do not expose the product to high temperatures or humid environments.
- Do not write on furniture without a padded barrier to protect the surface.
- Do not place furniture outside. For indoor use only.
- Stains may be removed with mild soap solution and damp cloth.
- Children should not climb or jump on the furniture.
- Dust and clean up spills using a clean, non-colored, lint-free cloth.
- Regularly check screws to ensure stability.

Dear Customer,

Thank you for your purchase! We are committed to providing you with high-quality products and services. We hope you enjoy the comfort and convenience brought by this Item. If you have any further questions or any quality issues, please don't hesitate to contact our Customer Service People: