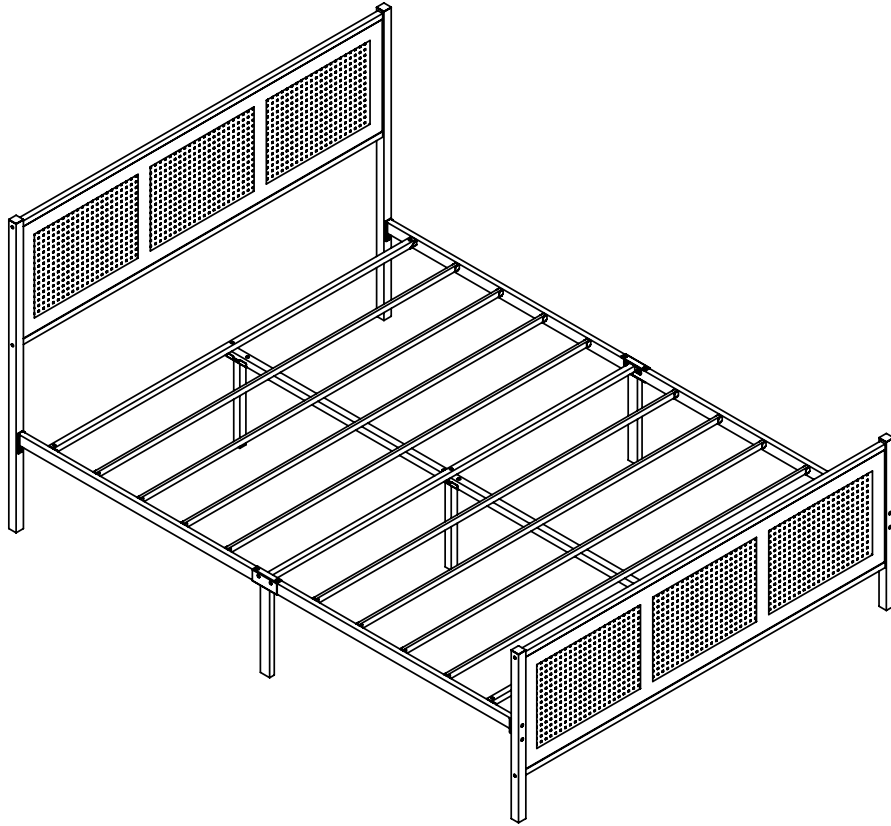


USER MANUAL

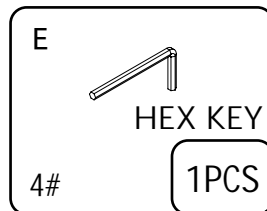
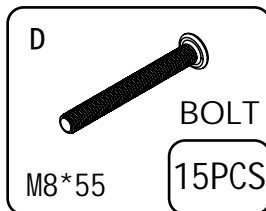
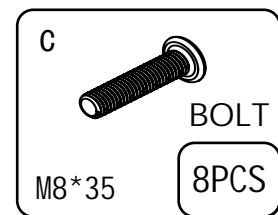
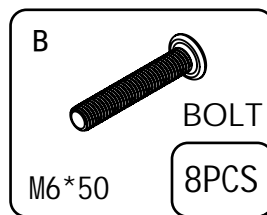
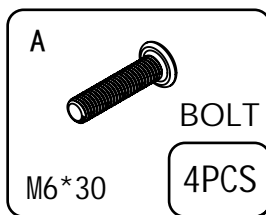
LED Bed Frame

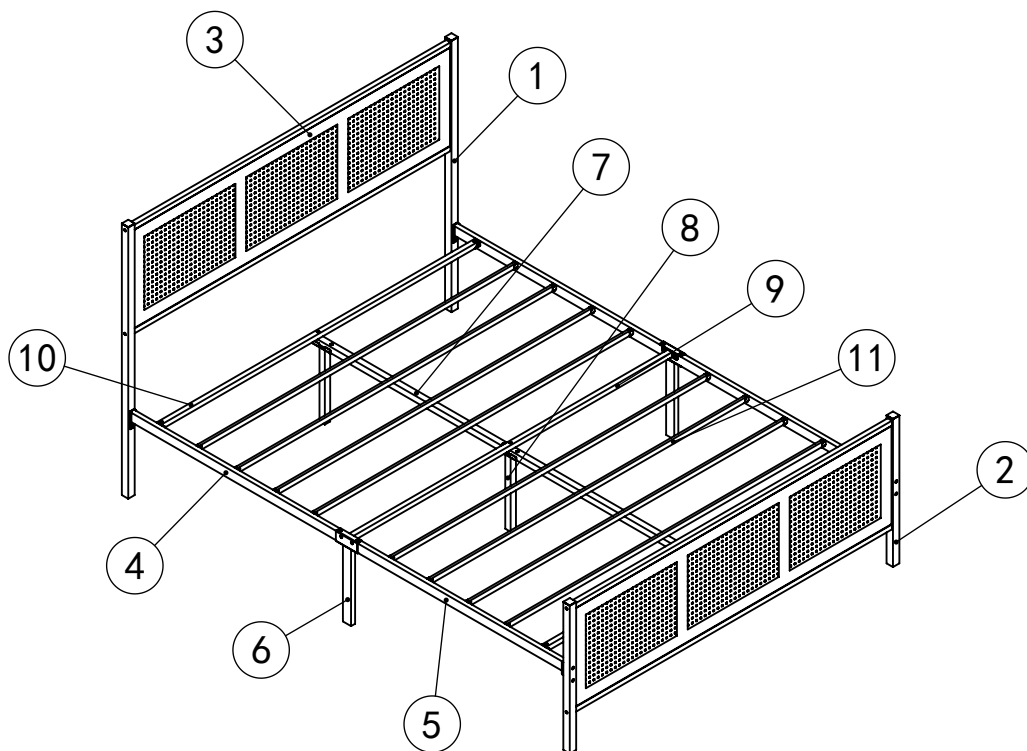
SKU:SCBE017401 & SCBE017501



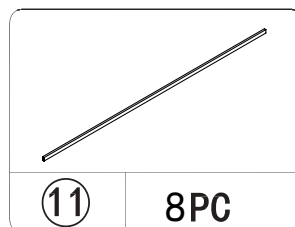
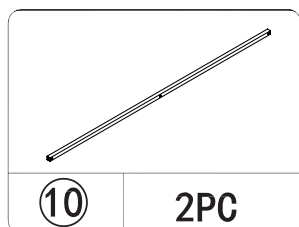
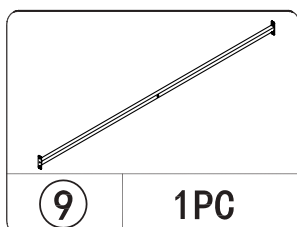
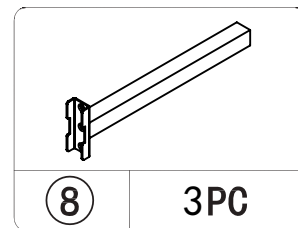
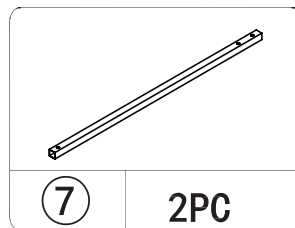
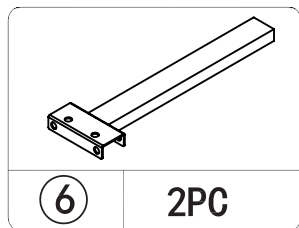
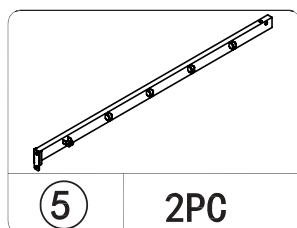
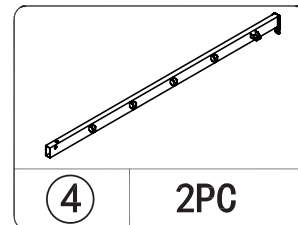
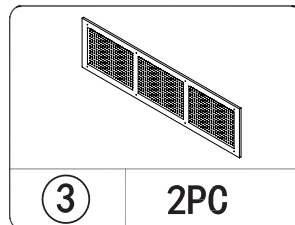
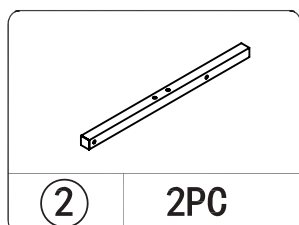
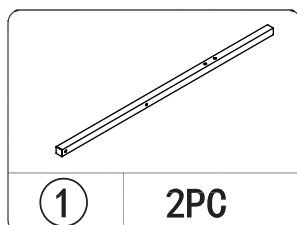
We are devoted to provide the best products and services for customers. Please contact us via the 'Contact seller' button in the detail page of your order for any concern and we'll response as soon as possible.

Hardware list



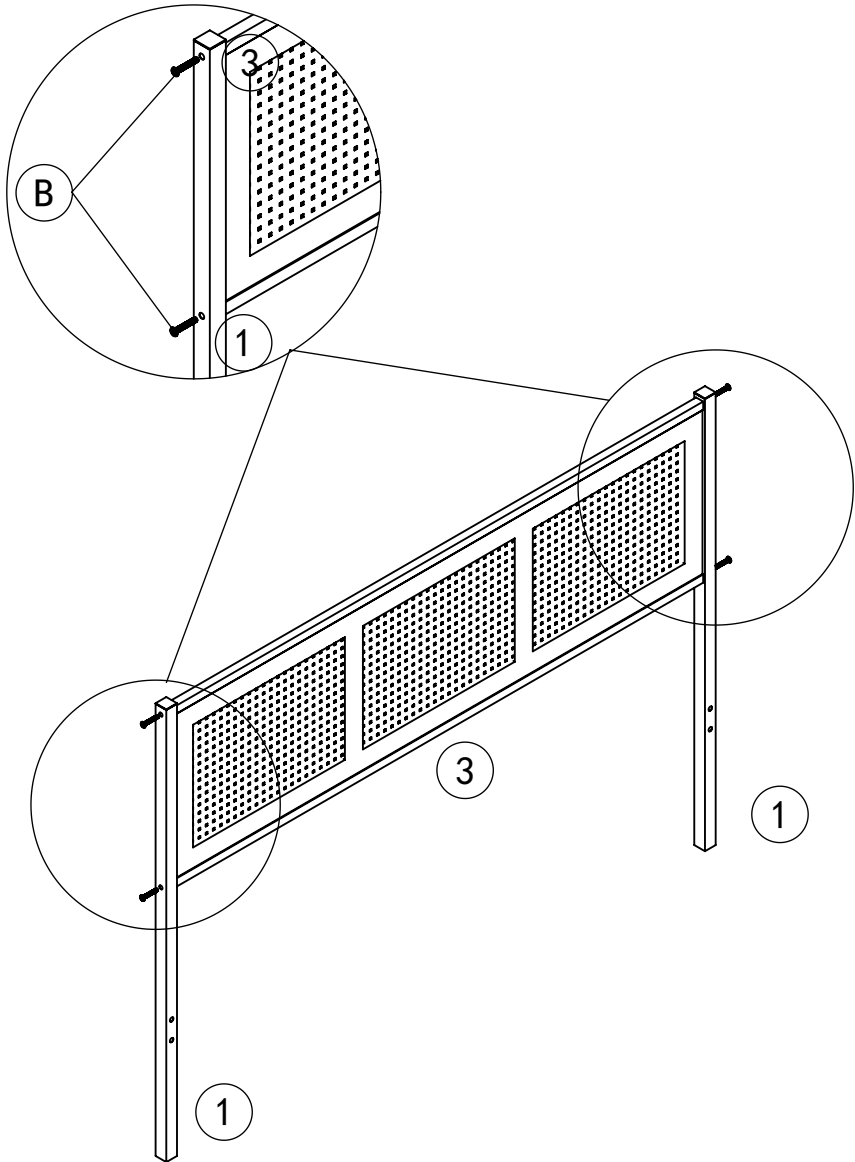


COMPONENTS



Step 1:	
B M6*50	4PCS
E 4#	1PCS

Attach Part (1) to Part(3) with Bolt (B) using Hex Key (E).

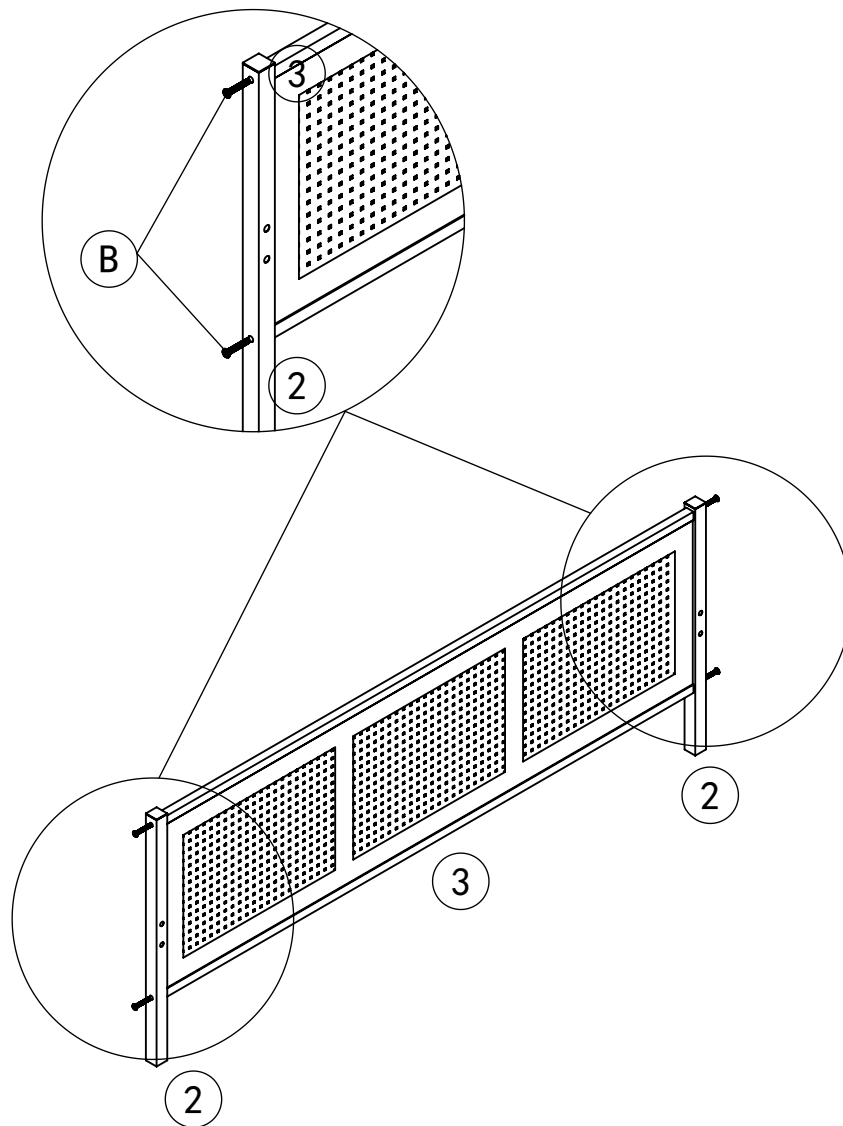


Step 2:

B M6*50 4PCS

E 4# 1PCS

Attach Part (2) to Part(3) with Bolt (B) using Hex Key (E).



Step 3:

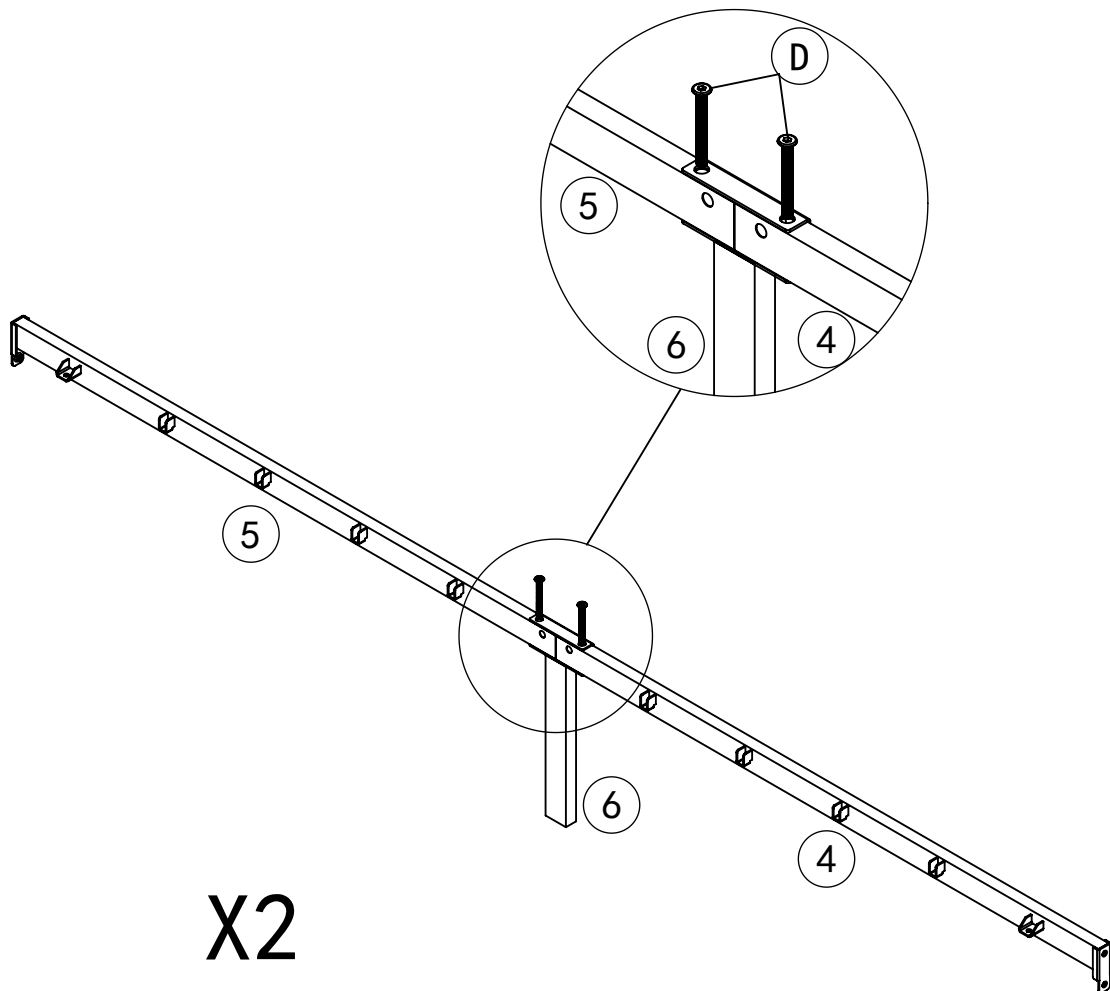
D M8*55

4PCS

E 4#

1PCS

Attach Part (4,5) to Part(6) with Bolt (D) using Hex Key (E).



X2

3

Step 4:

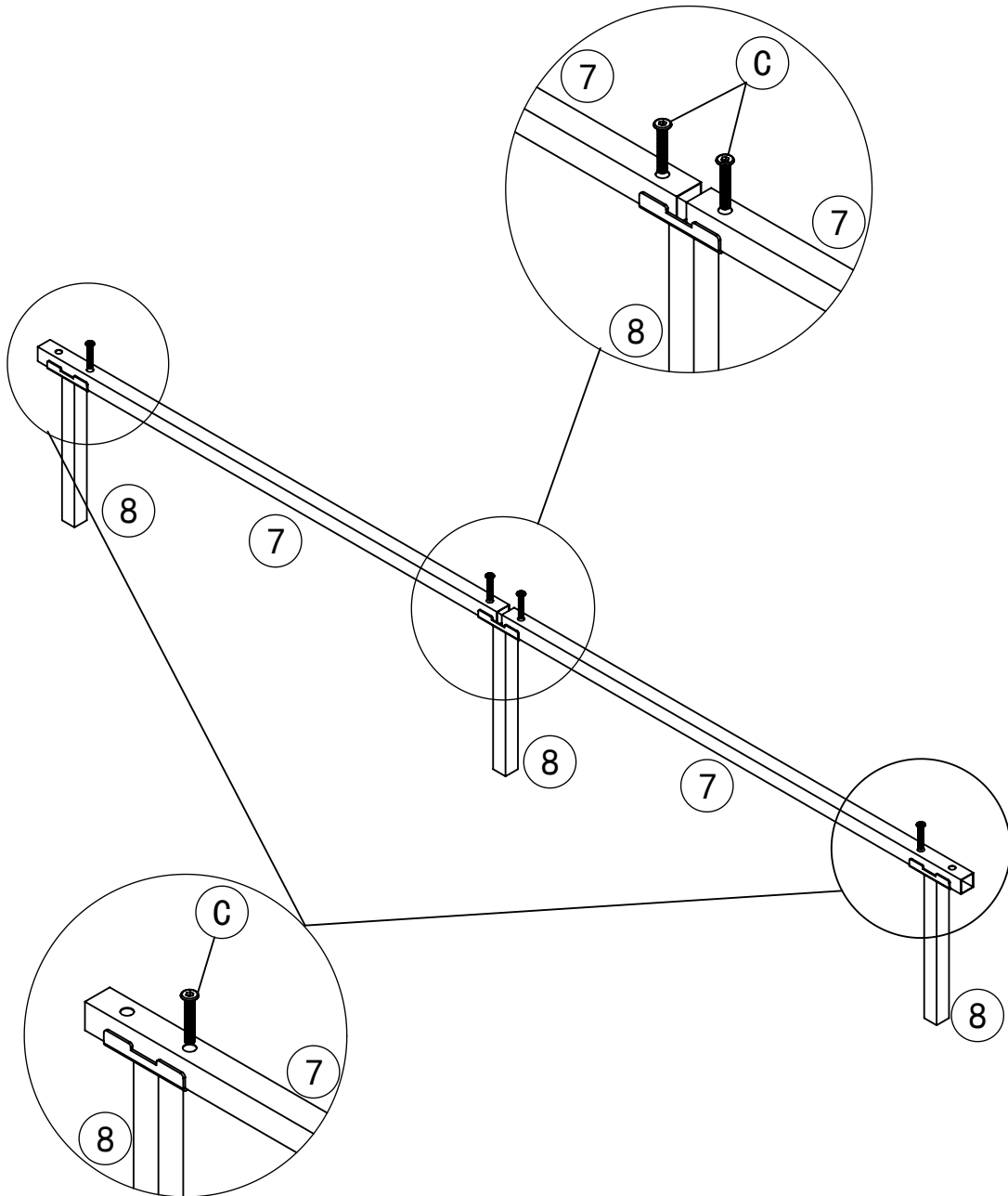
C M8*35

4PCS

Attach Part(7) to Part(8) with Bolt(C) using Hex Key (E).

E 4#

1PCS



Step 5:

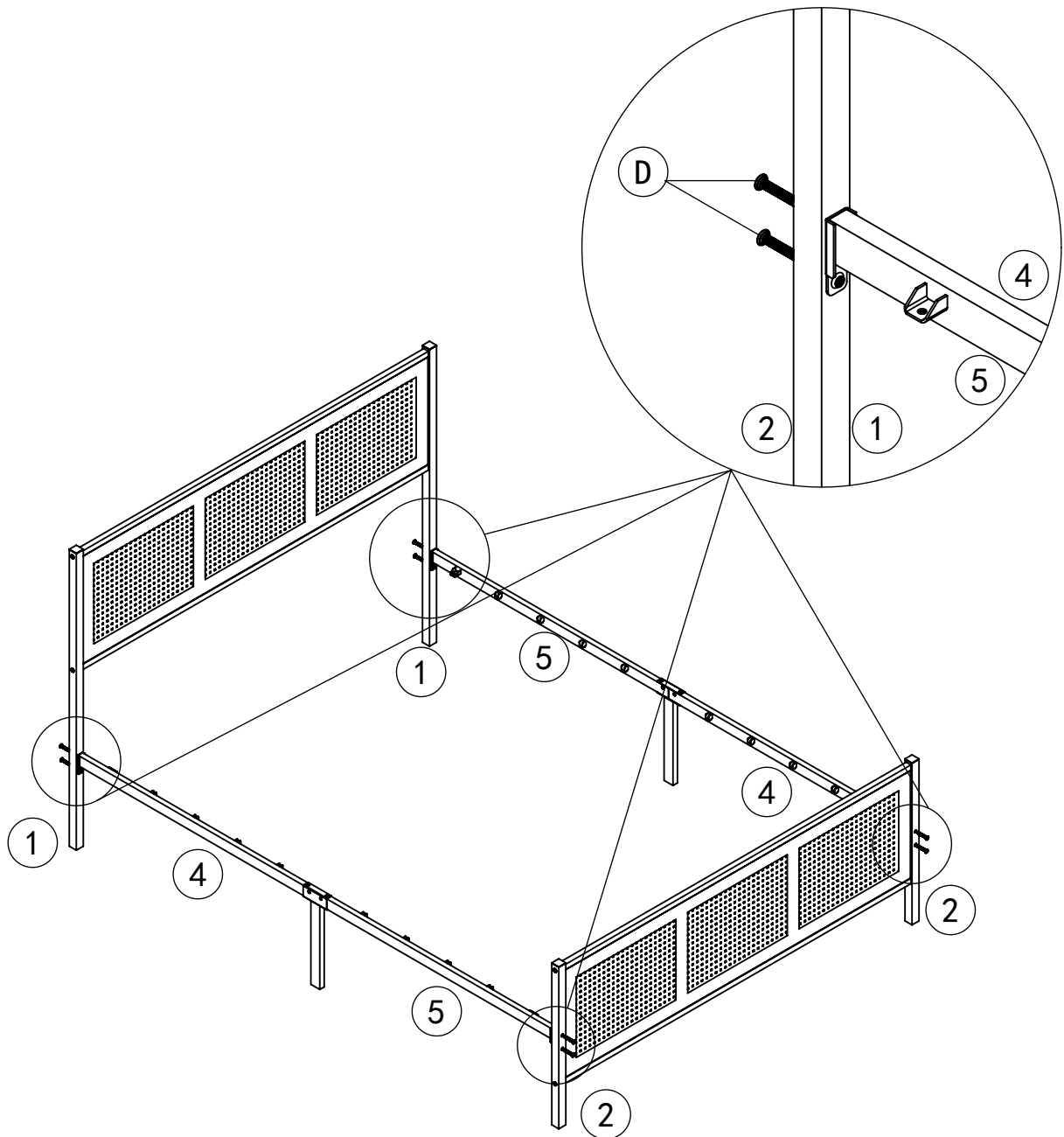
D M8*55

8PCS

E 4#

1PCS

Attach Part (4,5) to Part(1,2) with Bolt (D) using Hex Key (E).



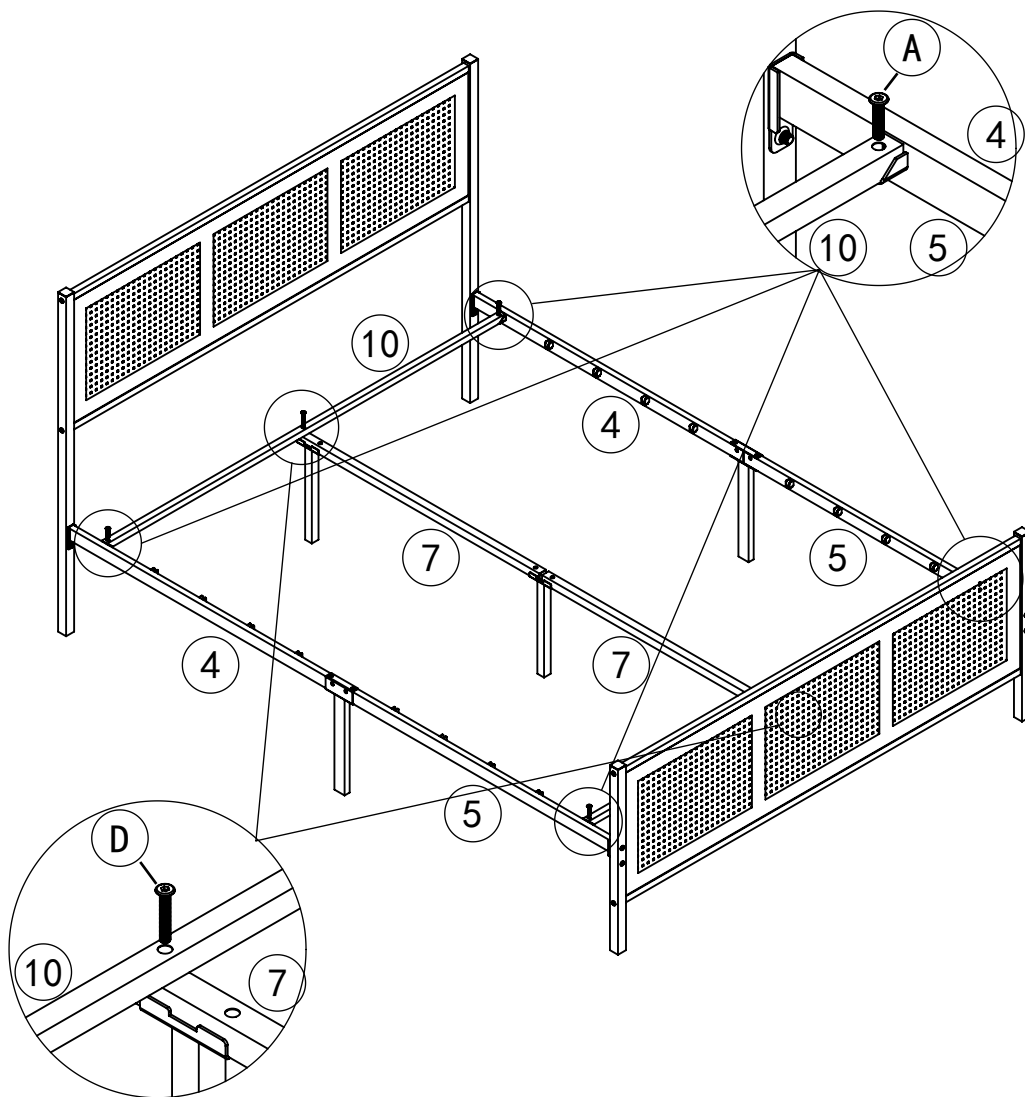
Step 6:

A M6*30 4PCS

D M8*55 2PCS

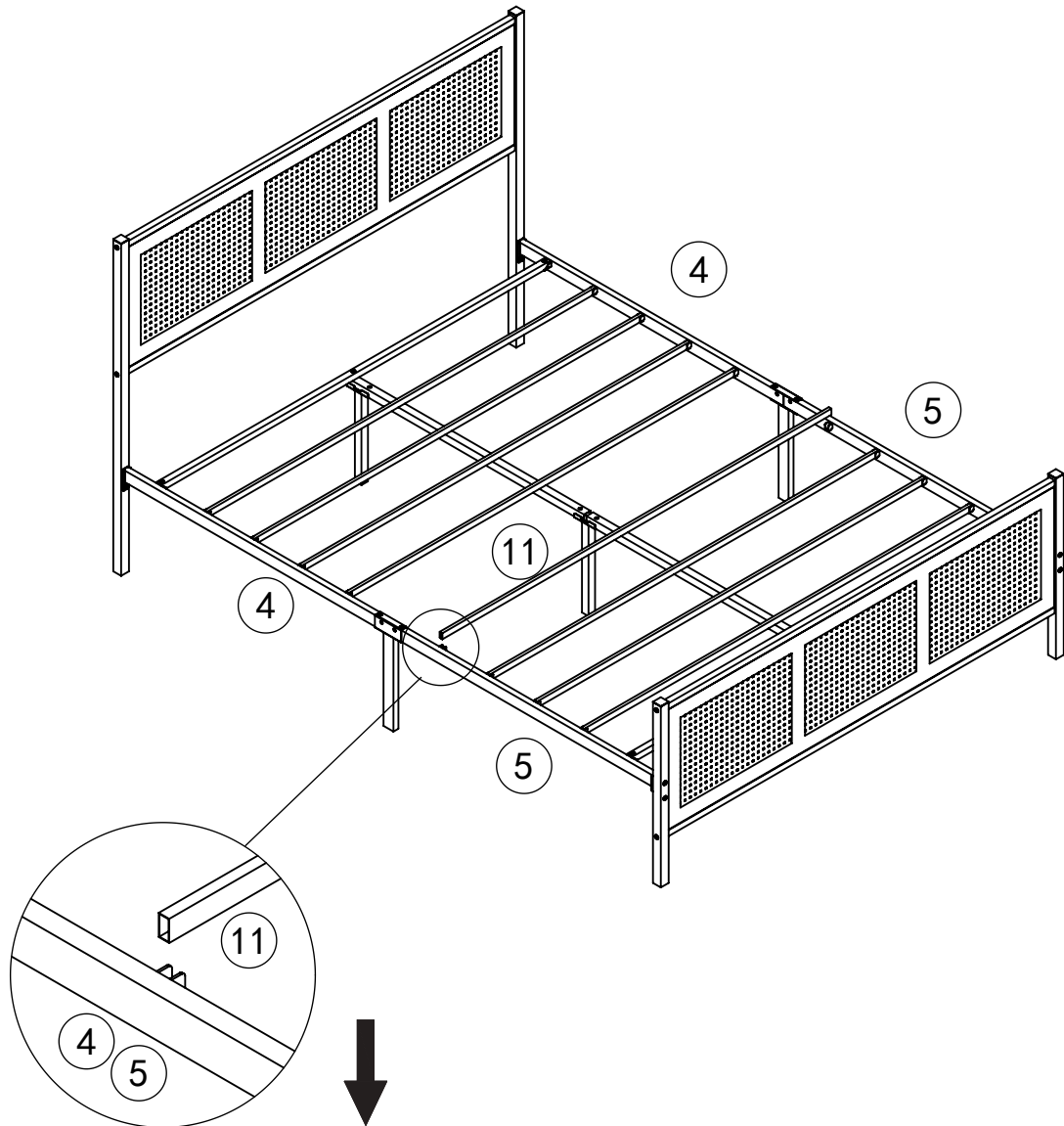
E 4# 1PCS

Attach Part (10) to Part(4,5) with Bolt (A) using Hex Key (E).
Attach Part (10) to Part(7) with Bolt (D) using Hex Key (E).



Step 7:

Insert and secure lock Part (11) to the bed frame.



Step 8:

C M8*35 4PCS

Attach Part (6) to Part(9) with Bolt (C) using Hex Key (E).
Attach Part (9) to Part(8) with Bolt (D) using Hex Key (E).

D M8*55 1PCS

E 4# 1PCS

