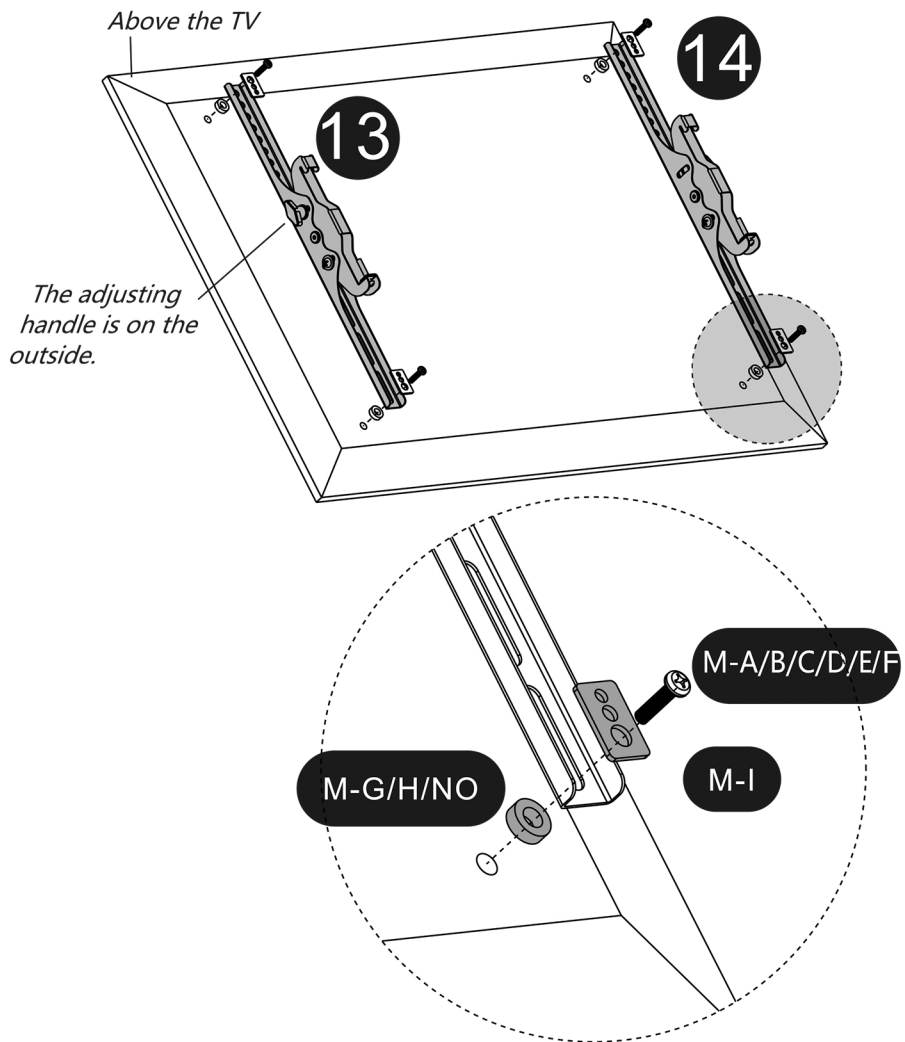


# STEP 9



# STEP 10

