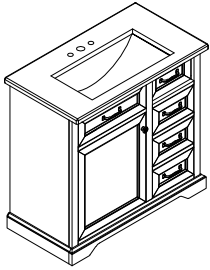


ASSEMBLY INSTRUCTIONS

Thank you for purchasing this quality Product. Be sure to check all packing material carefully for small parts, which may have come loose inside carton during shipment. Identify and count all parts and compare with the parts list below.



ASSEMBLY INSTRUCTION:

1. Remove hardware from box and sort by size.
2. Please check to see that all hardware and parts are present prior start of assembly.
3. Please follow attached instruction in the same sequence as numbered asure fast and aesy assembly.

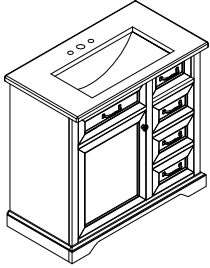
WARNING!

1. Dont attempt to repair or modify parts that are broken or defective. Prease contact the store immediately.
2. This productis for home use only and not intended for commercial esablishments.
3. Two persons are required for assembly.
4. Approximate assembly time 1/2 hours.
5. Component parts and fittings contained in the box. Prease sort out all parts before you begin to assemble the item. This is to make sure you always use the correct part.
6. It is **STRONGLY RECOMMENDED** that you **ANCHOR** this product.toling furniture can cause serious injuries and death. To prevent your furniture from tipping forward it is strongly recommended that you securely attach this product to a wallr other solid surface, using the anchor straps provided appropriate fixings.

No.	Component		Q'ty	No.	Component		Q'ty
A		Sink	1	N2		Bottom Flip down Box - Left	1
B		Side Panel-Left	1	O		Sides Flip down Box	4
C		Side Panel-Right	1	P		Front Drawer Panel - Top	1
D		Back Panel - Up	1	P1		Sides Drawer Panel - Top	2
E		Back Panel - Low	1	P2		Back Drawer Panel - Top	1
F		Door	1	Q		Front Drawer Panel - Bottom	1
G		Middle Panel	1	Q1		Sides Drawer Panel - Bottom	2
H		Bottom	1	Q2		Back Drawer Panel - Bottom	1
I		Racket Panel	2	R		Bottom Drawer Panel	2
K		Mid Racket Panel	2	S		Front Rail - Above	1
L		Round horizontal Bar	2	T		Front Rail #1 - Middle	1
M		Front Flip down Box - Right	1	U		Front Rail #2 - Middle	2
M1		Back Flip down Box - Right	1	V		Front Rail - Below	1
M2		Bottom Flip down Box - Right	1	W		Shelf	1
N		Front Flip down Box - Left	1				
N1		Back Flip down Box - Left	1				

ASSEMBLY INSTRUCTIONS

Thank you for purchasing this quality Product. Be sure to check all packing material carefully for small parts, which may have come loose inside carton during shipment. Identify and count all parts and compare with the parts list below.


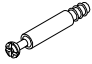






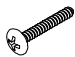
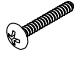













ASSEMBLY INSTRUCTION:

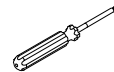
1. Remove hardware from box and sort by size.
2. Please check to see that all hardware and parts are present prior start of assembly.
3. Please follow attached instruction in the same sequence as numbered assure fast and easy assembly.

WARNING!

1. Don't attempt to repair or modify parts that are broken or defective. Please contact the store immediately.
2. This product is for home use only and not intended for commercial establishments.
3. Two persons are required for assembly.
4. Approximate assembly time 1/2 hours.
5. Component parts and fittings contained in the box. Please sort out all parts before you begin to assemble the item. This is to make sure you always use the correct part.
6. It is **STRONGLY RECOMMENDED** that you **ANCHOR** this product. Tying furniture can cause serious injuries and death. To prevent your furniture from tipping forward it is strongly recommended that you securely attach this product to a wall or other solid surface, using the anchor straps provided appropriate fixings.

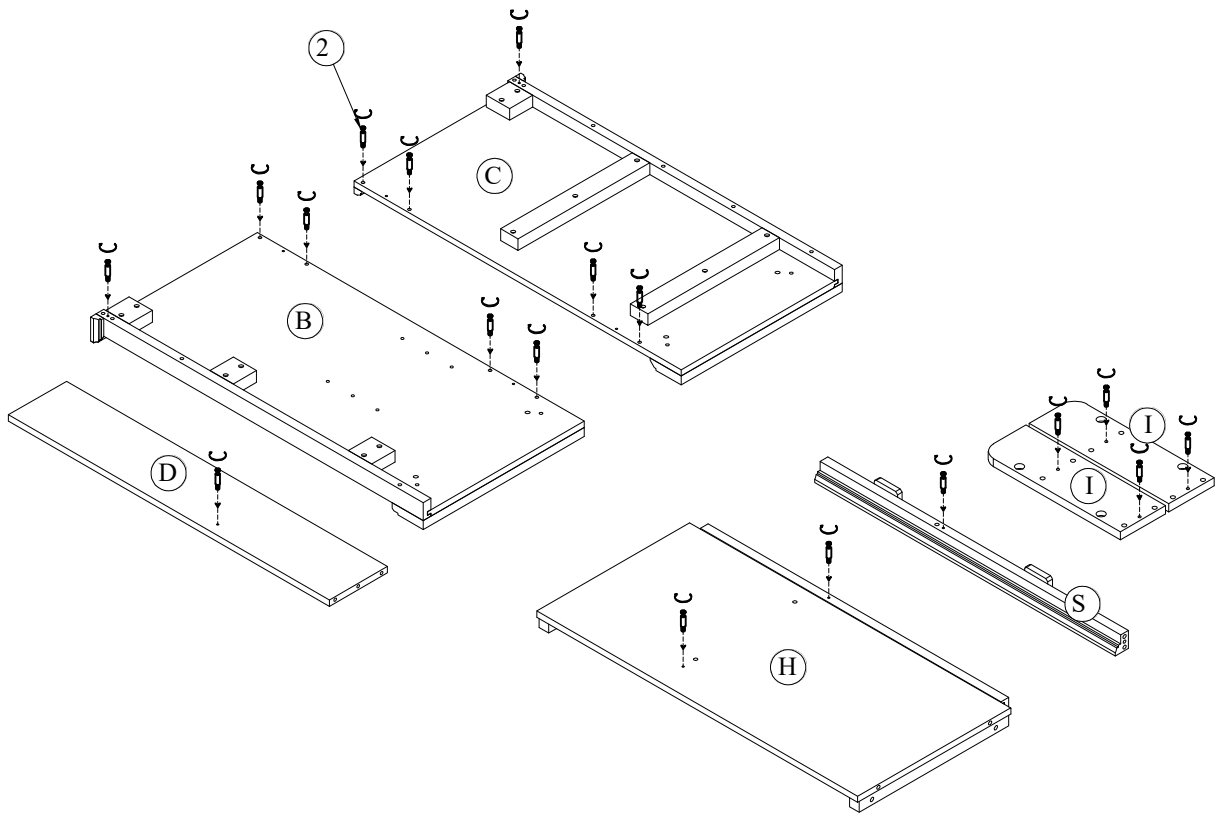
No.	Hardware	Q'ty
1	 Cam Lock	20
2	 Cam Lock Screws	20
3	 Wooden	35
4	 Hinges	2
5	 Screws M3.5x15	12
6	 Handle	5
7	 Knob	1
8	 Screws M4x30	8
9	 Screws M4x25	1
10	 Screws M4x17	2
11	 Rod Support hinges - Left	1

No.	Hardware	Q'ty
12	 Rod Support hinges - Right	1
13	 Swivel Hinges	4
14	 Shelf Support	4
15	 Screws M3.5x12	20
16	 Screws M4x20	32
17	 Screws M4x30	9
18	 Allen Bolts 1/4" x 40"	4
19	 Flat Washers 1/4" x 16 x 2"	4
20	 Lock washers 1/4" x 11 x 2"	4
21	 Allen key	1



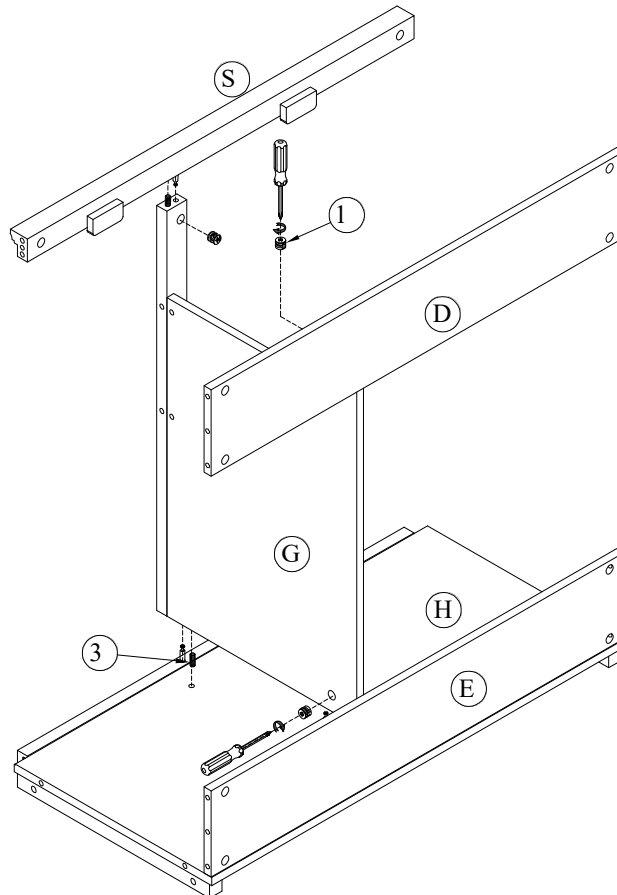
Not Included

Step 1



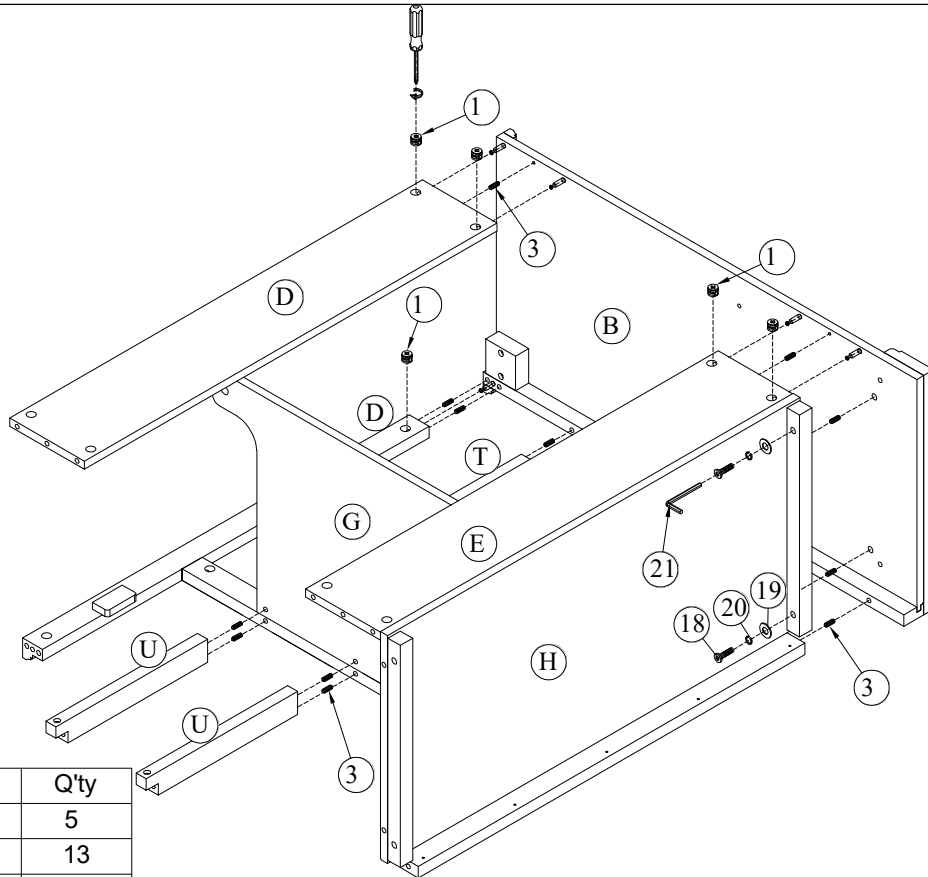
No	Hardware	Q'ty
2	Cam Lock Screws	20

Step 2



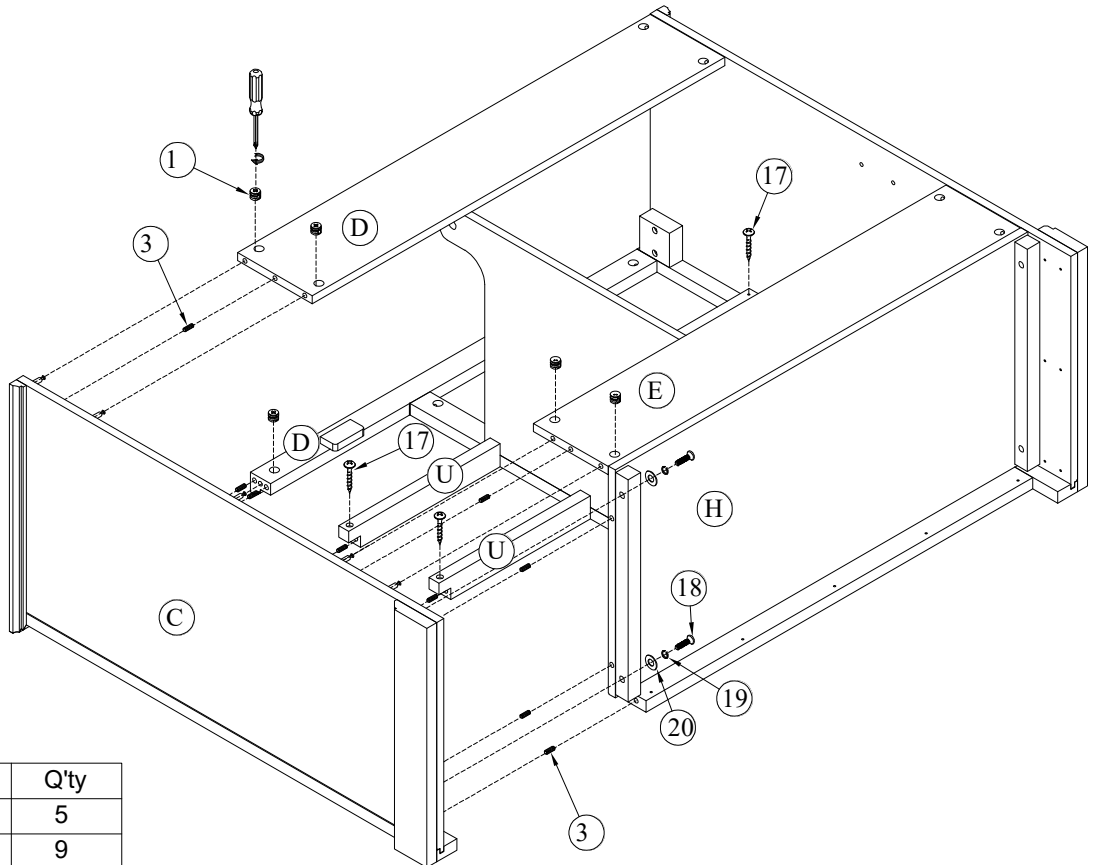
No	Hardware	Q'ty
1	Cam Lock	4
3	Wooden	3

Step 3



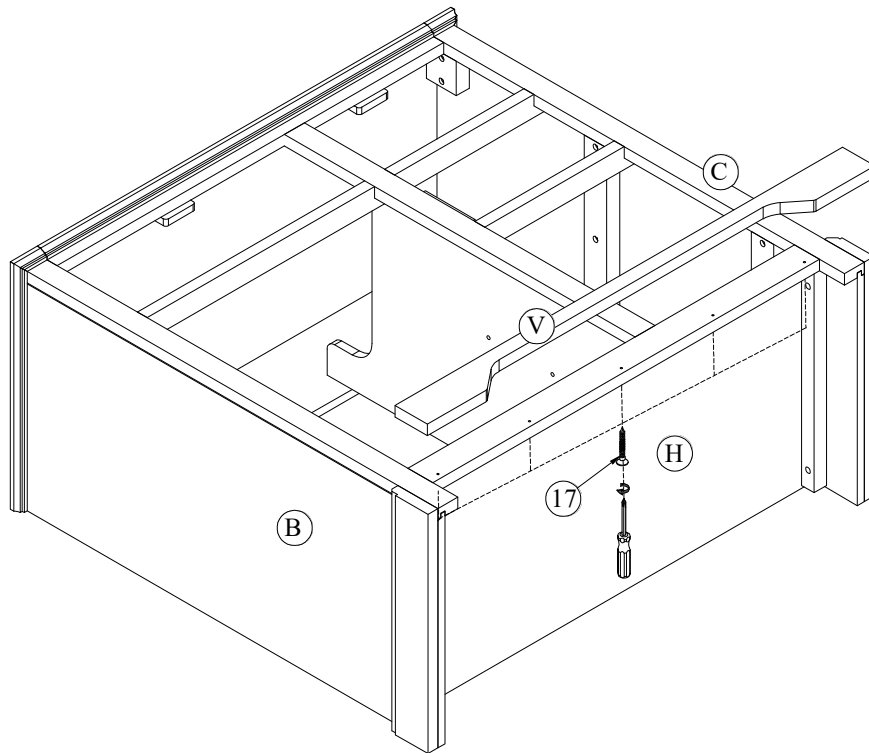
No	Hardware	Q'ty
1	Cam Lock	5
3	Wooden	13
18	Allen Bolts	2
19	Flat Washers	2
20	Lock washers	2
21	Allen key	1

Step 4



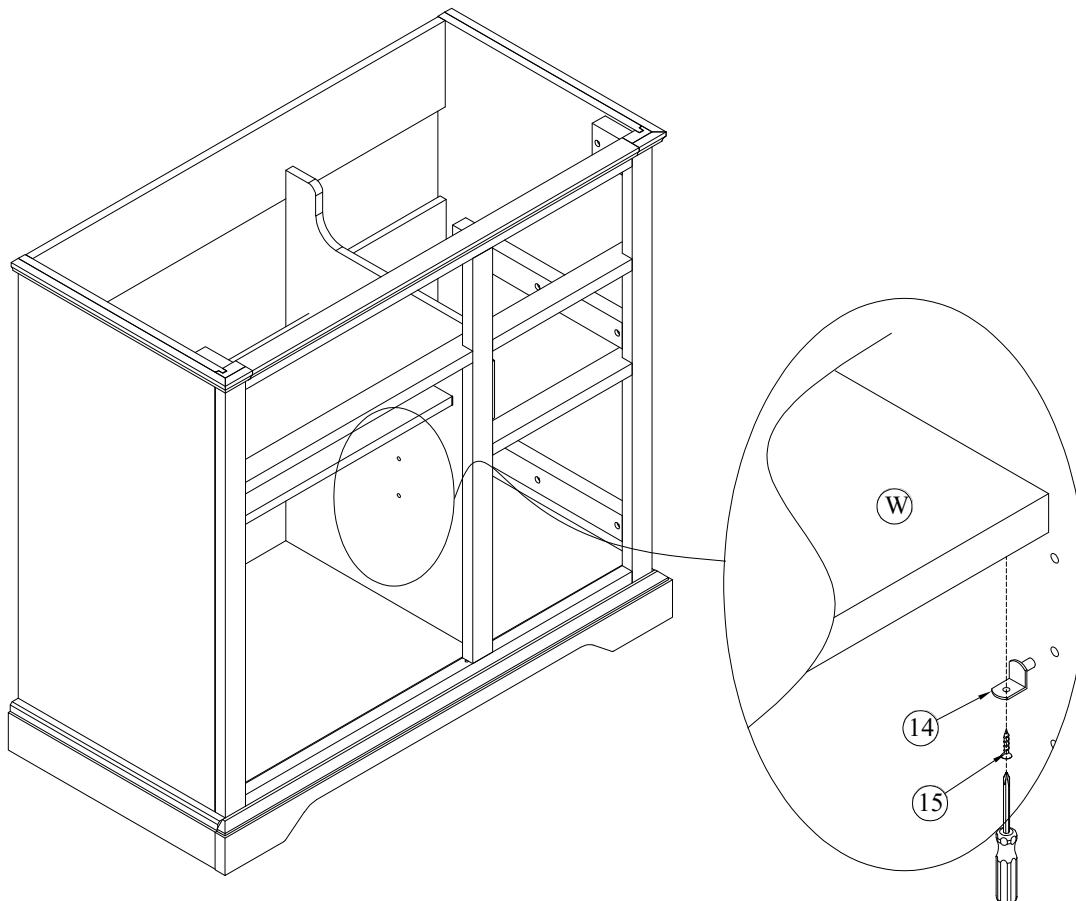
No	Hardware	Q'ty
1	Cam Lock	5
3	Wooden	9
18	Allen Bolts	2
19	Flat Washers	2
20	Lock washers	2
21	Allen key	1

Step 5



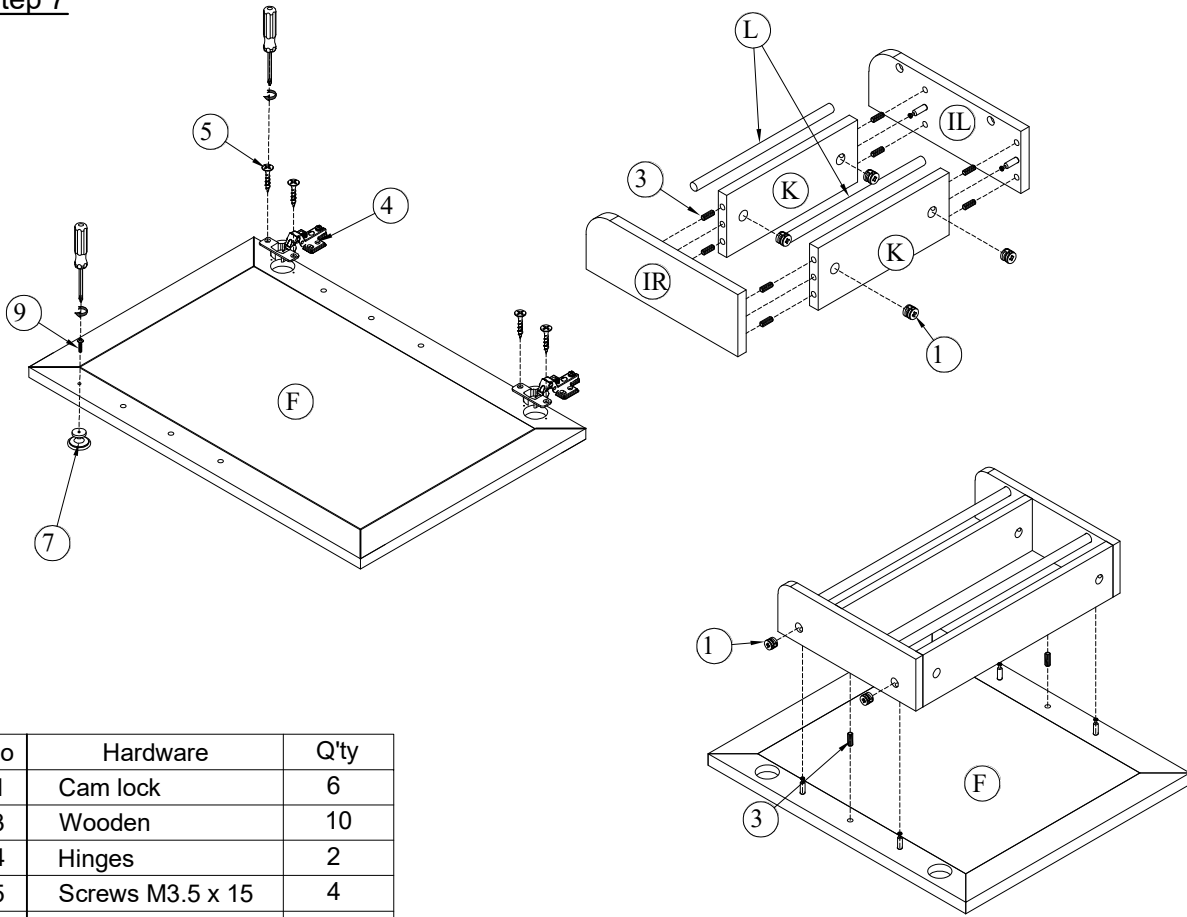
No	Hardware	Q'ty
17	Screws M4x30	5

Step 6



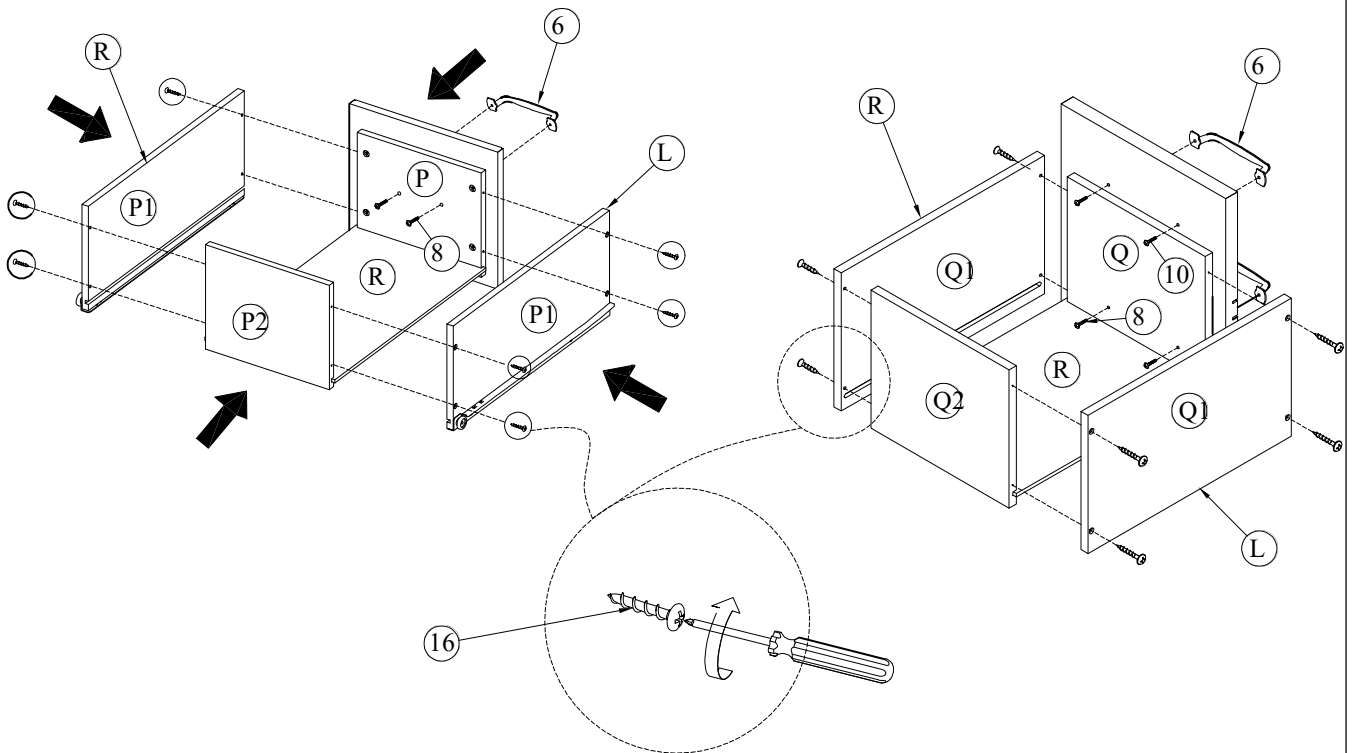
No	Hardware	Q'ty
14	Shelf Support	4
15	Screws M3.5 x 12	4

Step 7



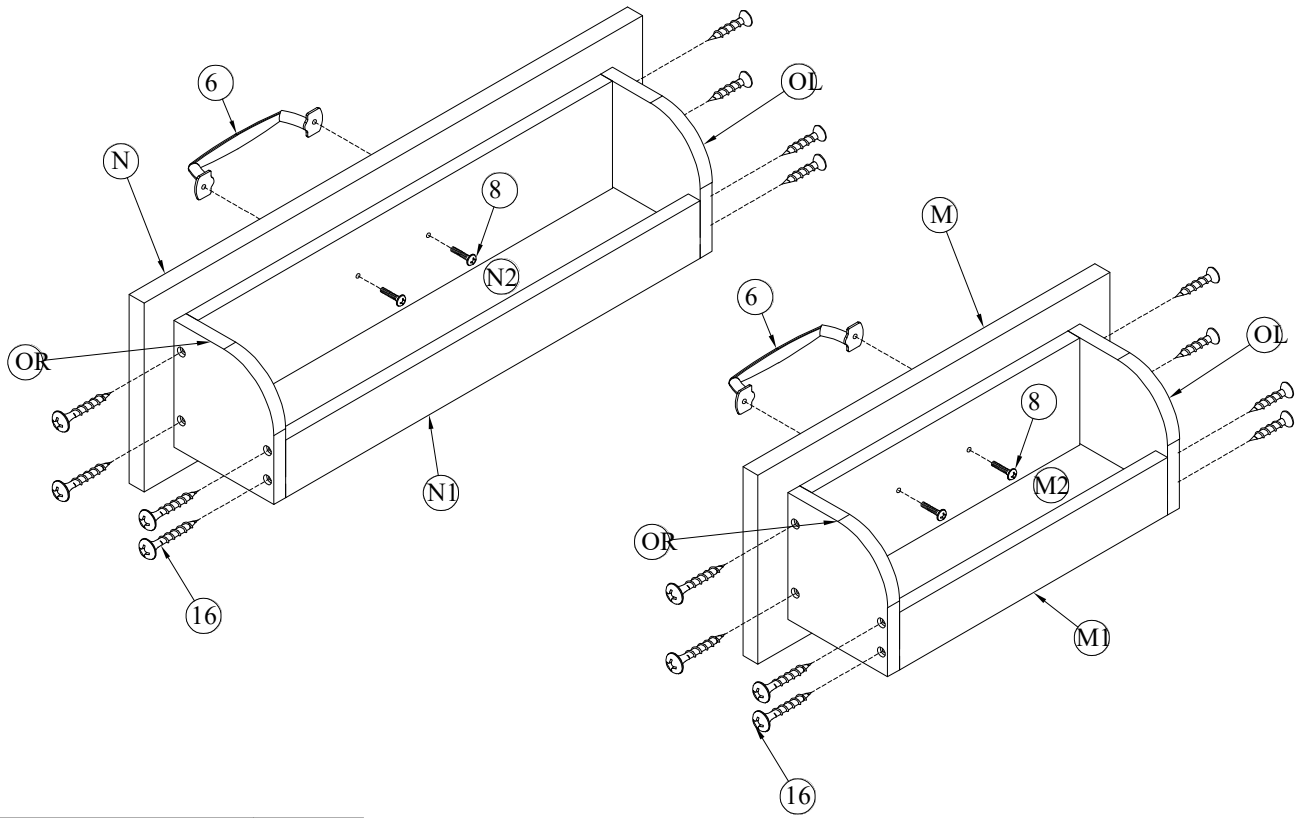
No	Hardware	Q'ty
1	Cam lock	6
3	Wooden	10
4	Hinges	2
5	Screws M3.5 x 15	4
7	Knob	1
9	Screws M4 x 25	1

Step 8



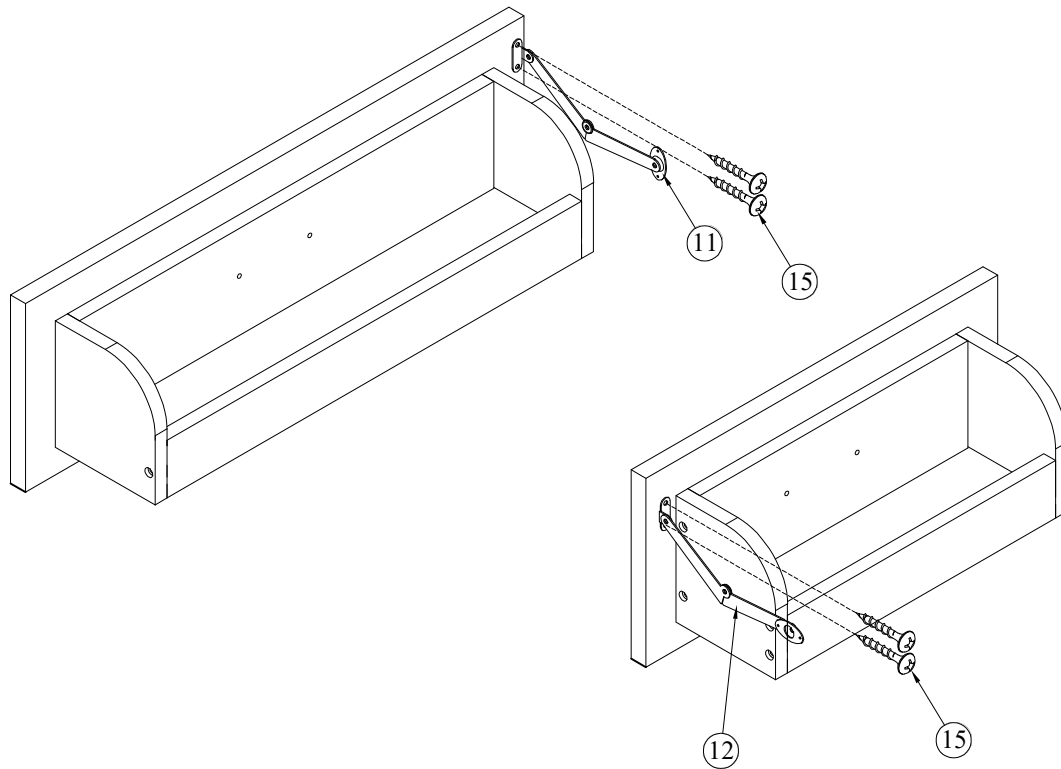
No	Hardware	Q'ty
16	Screws M4 x 20	16
6	Handle	3
8	Screws M4 x 30	4
10	Screws M4 x 17	2

Step 7



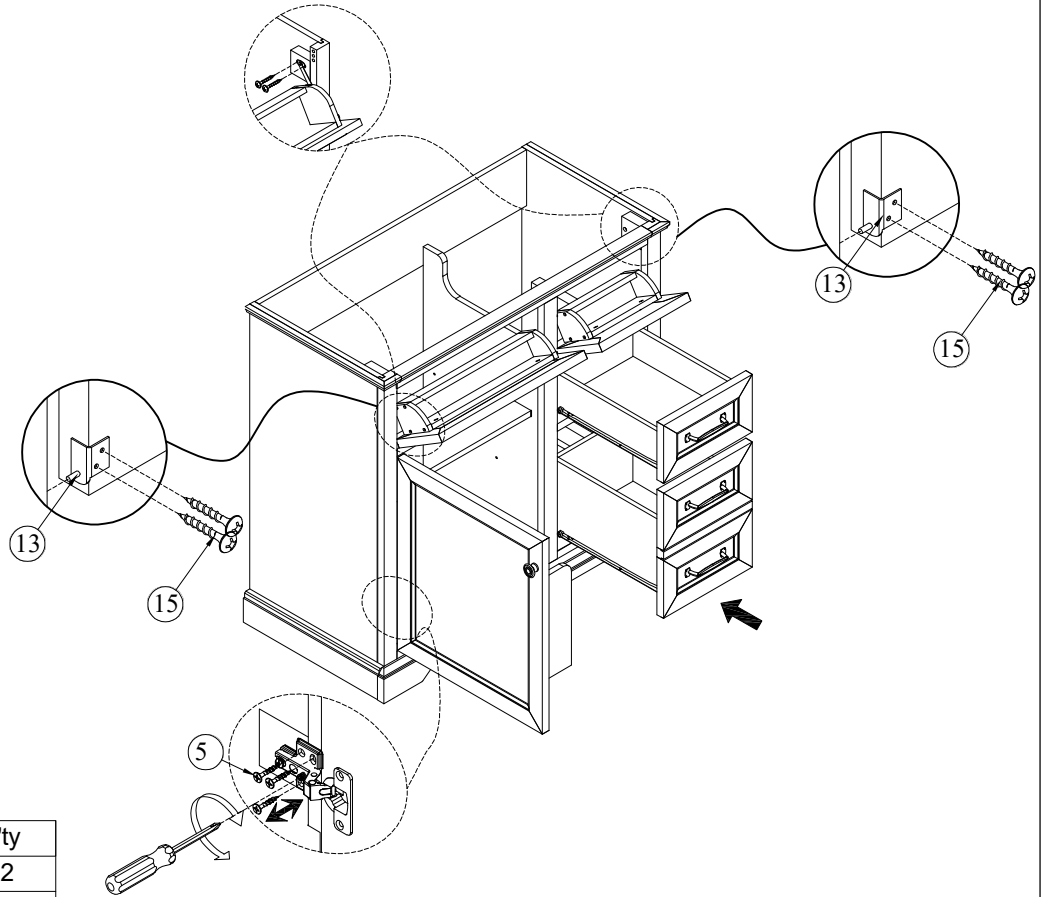
No	Hardware	Qty
16	Screws M4 x 20	16
6	Handle	2
8	Screws M4 x 30	4

Step 8



No	Hardware	Qty
11	Rod Support hinges	1
12	Rod Support hinges	1
15	Screws M3.5 x 12	4

Step 9



No	Hardware	Q'ty
15	Screws M3.5 x 12	12
5	Screws M3.5 x 15	8
13	Swivel Hinges	4

Step 10

