

## ASSEMBLY INSTRUCTIONS

Before assembling your bed, please read through these instructions carefully and familiarize yourself with the different parts.

**ATTENTION!** If you receive a damaged or defective item, please contact afifurnishings at customerservice@afifurnishings.com or 1-800-955-3726



### PARTS LIST

- 1 HEADBOARD PANEL 1 PC
- 2 LEFT LEG 1 PC
- 3 RIGHT LEG 1 PC

Instructions apply for bed sizes  
TWIN > FULL

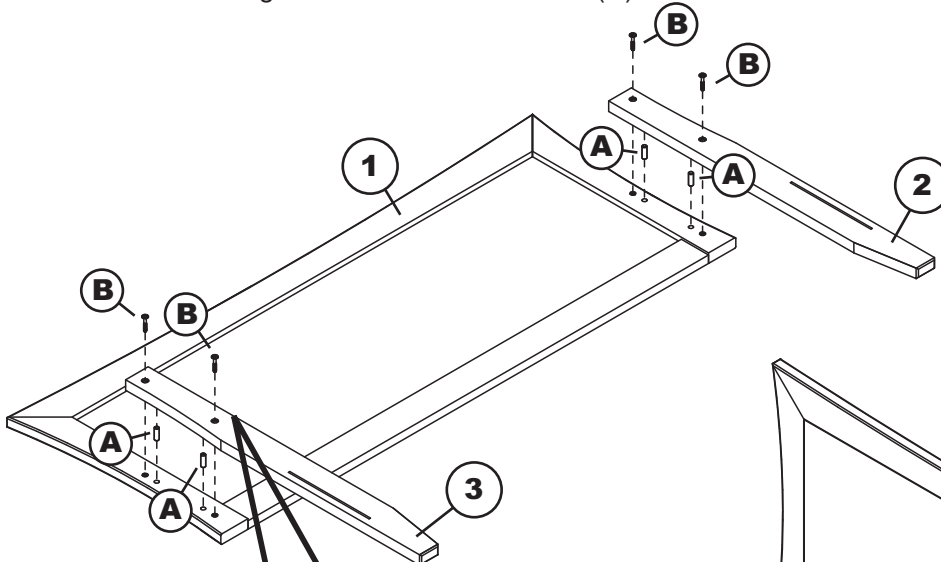
### HARDWARE

- (A) Wooden dowel - 4 pcs  
Spare - 1 pc
- (B) JCB M6 X 35mm (1 3/8") - 4 pcs  
Spare - 1 pc
- (C) Allen wrench - 1pc  
Spare - 1pc

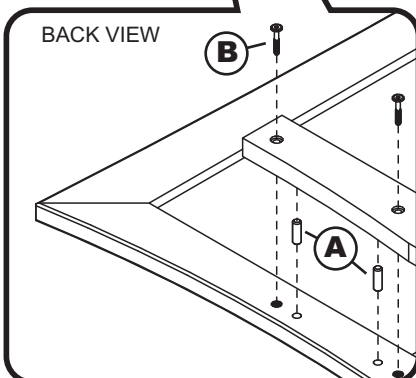
NOTE: WE INCLUDE SPARE HARDWARE IN CASE DAMAGE OCCURS DURING ASSEMBLY.

### Step 1

Attach the legs (2) and (3) to headboard panel (1), using wooden dowels (A) and JCB (B). Tighten with the Allen wrench (C).



CODE	ITEM	ITEM
HBFB-MTR	R-29072X	R-29073X



PO:

**Congratulations!**

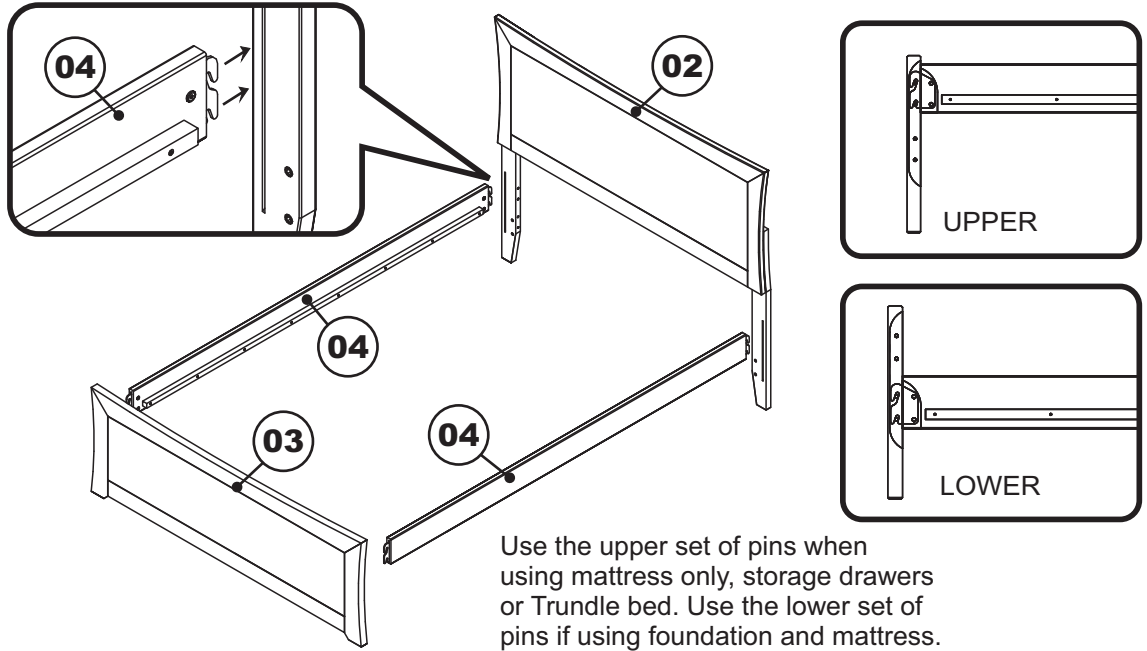
Your headboard is now assembled.

To ensure lasting safety, we recommend that you periodically check that all screws are tight and all parts are secure.

- 01 **HARDWARE**
- 02 **HEADBOARD** — **BOX 1**
- 03 **FOOTBOARD**
- 04 **SIDE RAILS** — **BOX 2**



**Step 1** Attach the side rails (04) to the headboard (02) and footboard (03) using the bed hook as shown below.

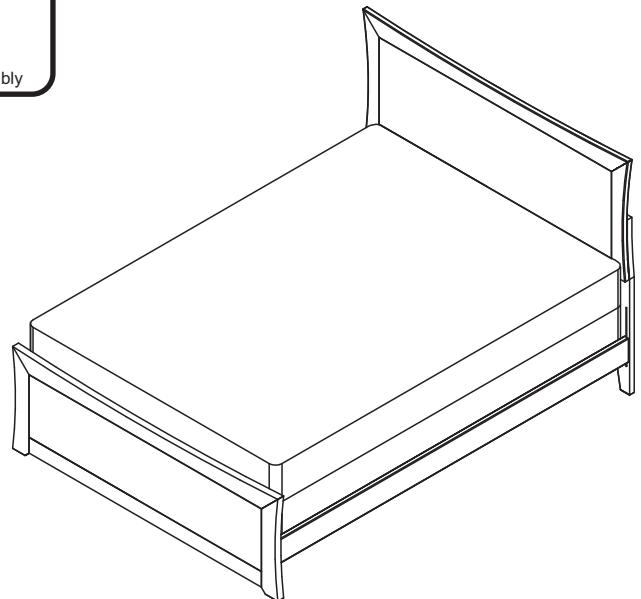
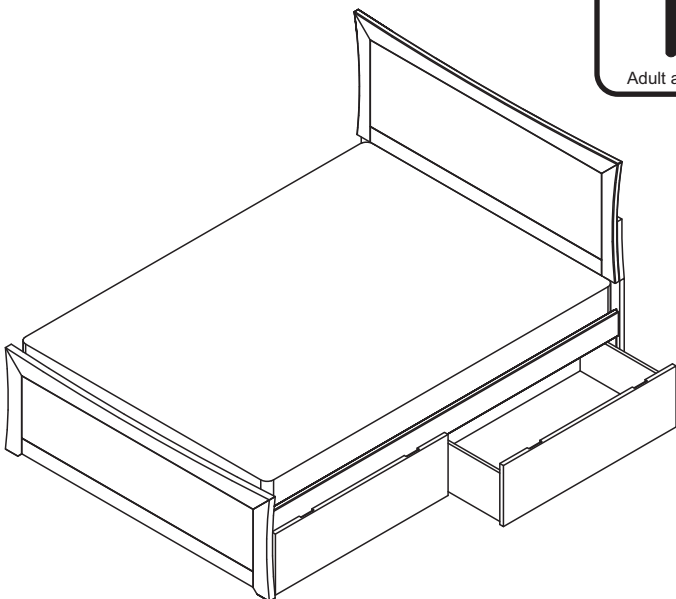


**Step 2** Lastly, lay slat kit or foundation support board onto the bed. For assembly, follow the assembly instructions included with support system.

PLATFORM BED - TALL HEIGHT



TRADITIONAL BED - LOW HEIGHT



## FULL

### ASSEMBLY INSTRUCTIONS

Before assembling your bed frame, please read through these instructions carefully and familiarize yourself with the different parts.



**ATTENTION!** If you receive a damaged or defective item, please contact afifurnishings at customerservice@afifurnishings.com or 1-800-955-3726

#### PARTS LIST

- ① **SIDE RAILS**            **2 PCS**
- ② **SLAT KIT**            **2 SET**
- ③ **SUPPORT RAIL**       **2 PCS**
- ④ **P SUPPORT LEGS**    **4 PCS**
- ⑤ **L SUPPORT LEGS**    **4 PCS**

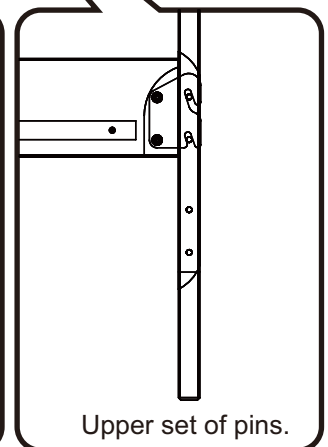
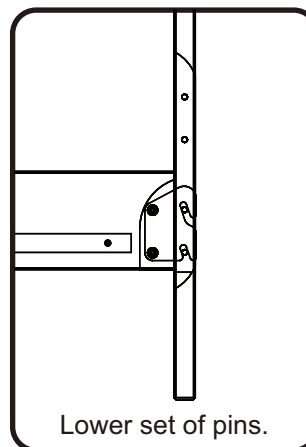
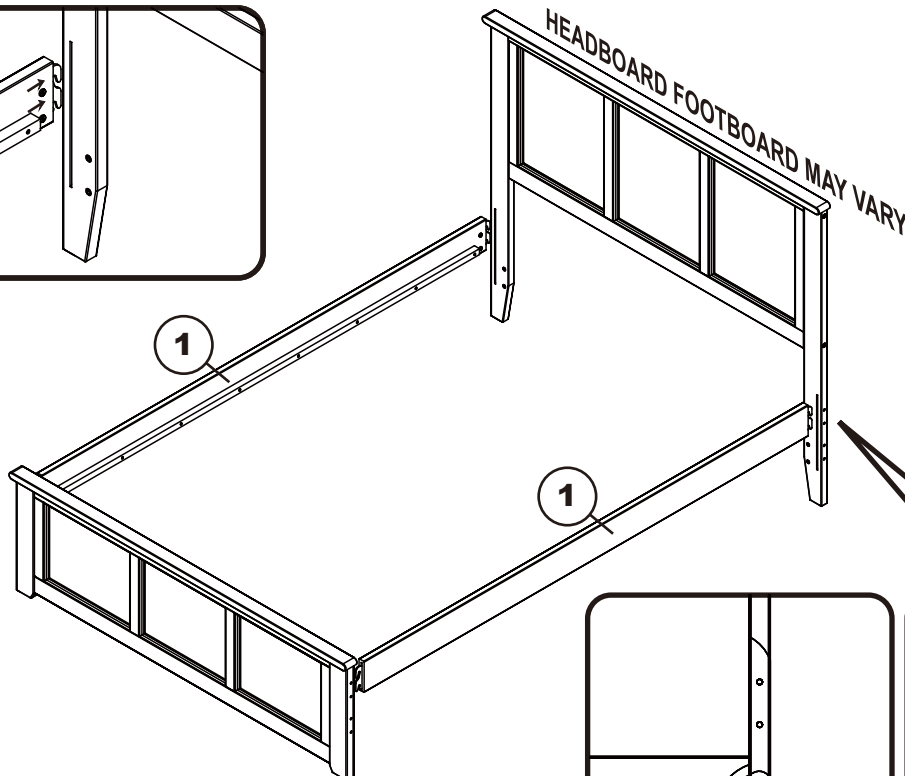
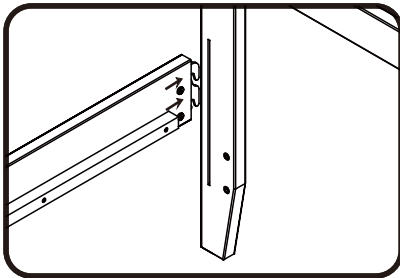
#### HARDWARE

- Ⓐ JCB M6 X 30mm ( 1 1/8" ) - 6 pcs  
Spare - 1 pc
- Ⓑ Cap Nut - 6 pcs
- Ⓒ Wood screw (1 1/4" ) - 12 pcs  
Spare - 1 pc
- Ⓓ JCB M8 X 40mm ( 1 5/8" ) - 4 pcs  
Spare - 1 pc
- Ⓔ Split Washer - 4 pcs  
Spare - 1 pc
- Ⓕ Flat Washer - 4 pcs  
Spare - 1 pc
- Ⓖ Allen wrench M4 - 1pc  
Spare - 1pc
- Ⓗ Allen wrench M5 - 1pc

NOTE: WE INCLUDE SPARE HARDWARE IN CASE DAMAGE OCCURS DURING ASSEMBLY.

#### Step 1

Attach side rails (1) to the headboard and footboard. For assembly, follow the assembly instructions included with your headboard and footboard.



**PO:**

CODE	ITEM
FR-UBN2-LPM	R-26553X

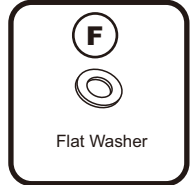
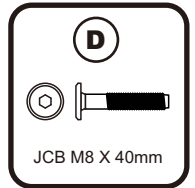
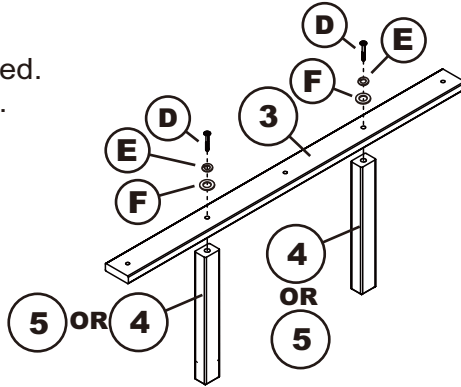
# FULL

## Step 2

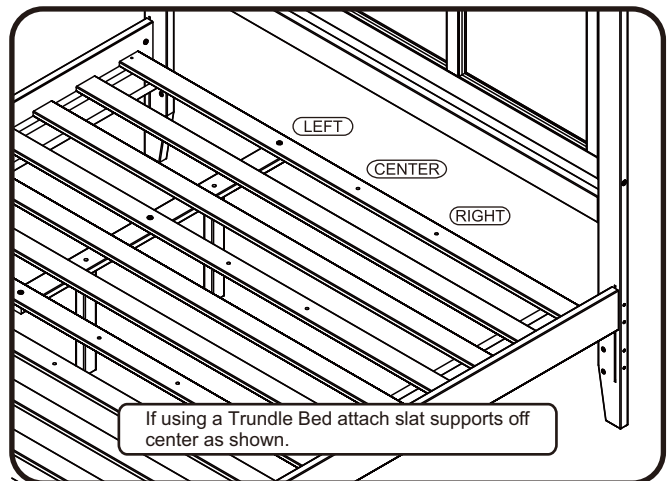
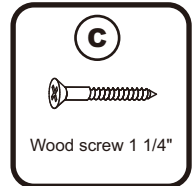
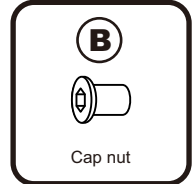
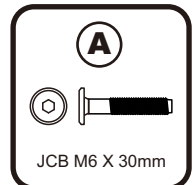
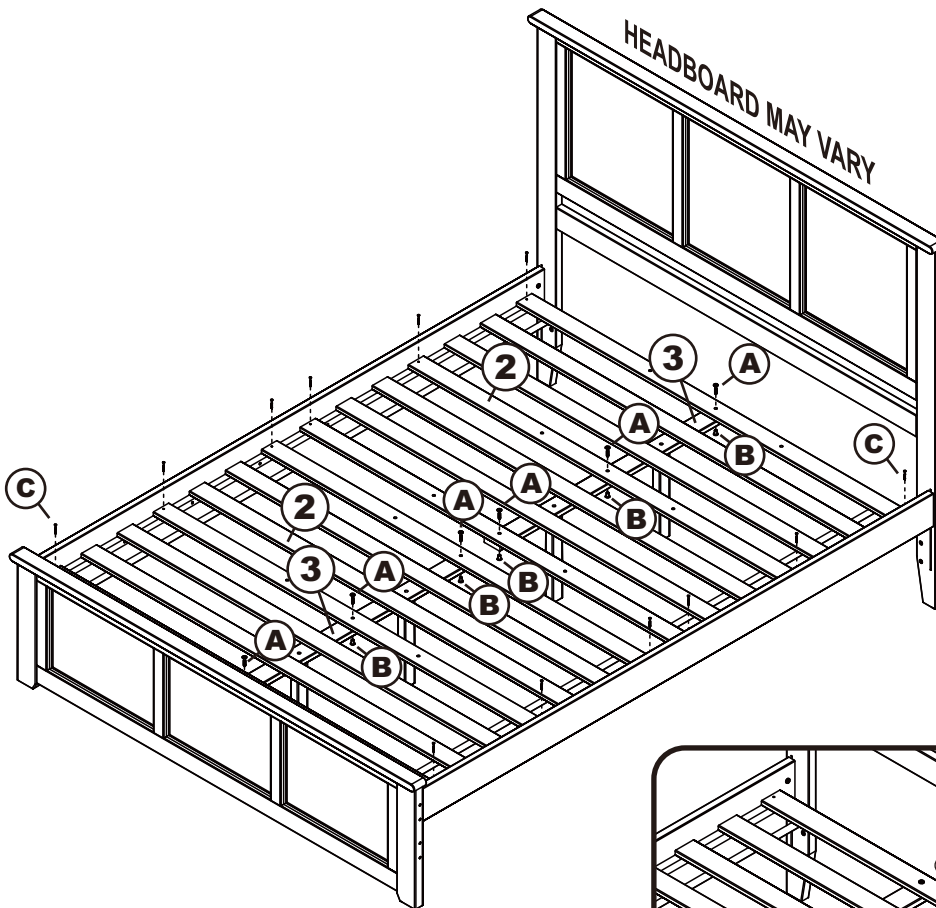
Attach support legs (4) or (5) to support rail (3) as shown below. Using JCB M8 (D) split and flat washer (E)(F) tighten with Allen wrench M5 (H). Repeat the other.

### NOTE :

- Using P Support Leg for Platform Bed.
- Using L Support Leg for Lower Bed.



## Step 3



## Congratulations!

Your bed is now ready for use.

We recommend that you periodically recheck that all screws are tight to ensure lasting safety.