
Rectangular Patio Market Umbrella



Need help or have any questions? Our Professional Service Team is ready to assist you. Don't hesitate to reach out to us at service@usavingmall.com or call us at **978-300-3837** for any support or further assistance. We are committed to providing excellent service.

User Manual

General Guidelines:

- Please read the following instructions carefully and use the product accordingly.
- Please keep this manual and hand it over when you transfer the product.
- This summary may not include every detail of all variations and considered steps.
- Please contact us for further information and assistance if needed.

Notes:

- Personal injury and/or damage to the product may occur if the products are used outside of their intended purposes and/or if the products have been changed/modified from their original design. The product must be assembled and used in accordance with the provisions of the manual. The seller does not assume any responsibility or liability with respect to any damage caused by incorrect assembly or improper use.
- Carefully check the accessories when opening the package. If anything is missing or damaged, please contact us immediately.
- This umbrella is only used for shading and decoration purposes.
- Store the umbrella in a dry, sheltered place, such as a garage or basement during high winds, rainy days, and the off-season.
- Never force your umbrella open. The umbrella mechanism should open gently and easily.
- Do not use sharp tools or equipment such as a knife or scissors when removing the protective material, as it may damage the product.
- Do not use the umbrella without an umbrella base (Not included).

Warnings:

- Keep children away when assembling the product. Small parts are included in the package; they may be fatal if swallowed or inhaled.
- To avoid the potential dangers of suffocation, please keep all parts and packaging (film, plastic bags, foam, etc.) away from babies and children.
- Keep the umbrella away from fire; do not use it during extreme cold and heat, and severe weather conditions like rainy, windy, snowy days, and hailstorms, etc.

Daily Maintenance:

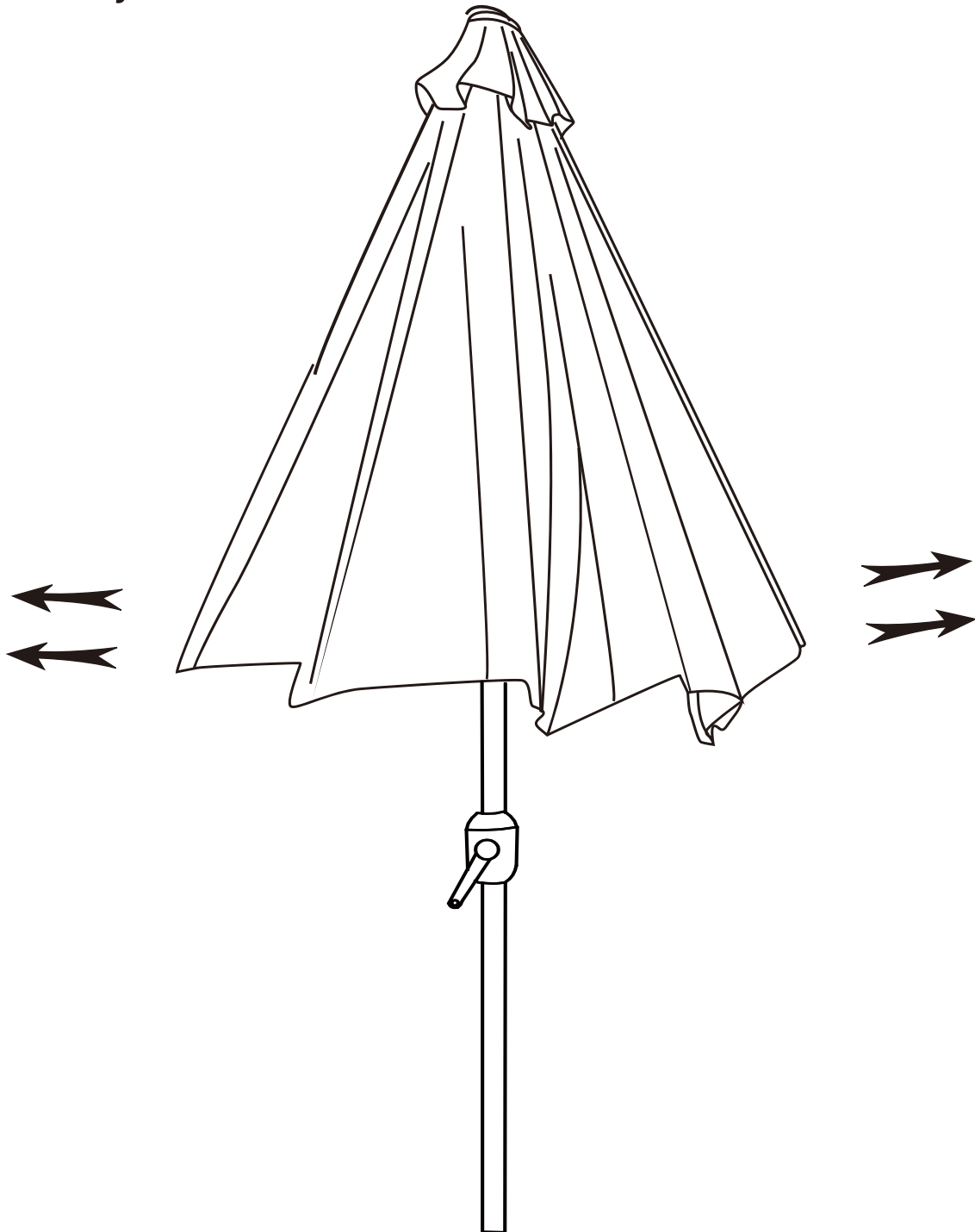
- Clean the canopy with a soft cloth moistened with a neutral detergent.
- Store it after completely drying, which will help reduce the growth of mold.
- Do not machine wash, do not dry.
- Do not iron.

Troubleshooting

Problem	Possible Cause	Solution
The umbrella can't close.	The top of the umbrella is in a tilted position.	Adjust the umbrella top to the upright position and then close the umbrella.
The crank does not click and the canopy does not move up when turning the crank handle in the open direction.	The rope is loose and needs to be wound around the crankshaft and stretched.	Keep turning the crank handle in the open direction several turns to wind and stretch the rope until the canopy moves up.
The crank becomes too hard to work.	The rope has come off the pulley.	Slack the rope and put it back onto the pulley.

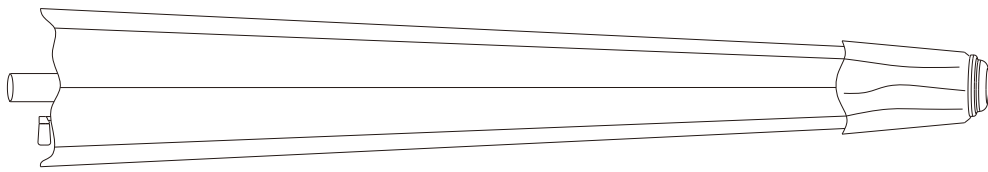
CAUTION

Please pull and loosen the umbrella ribs by hand, so they're not entangled, before attempting to open the umbrella by crank.



A

× 1

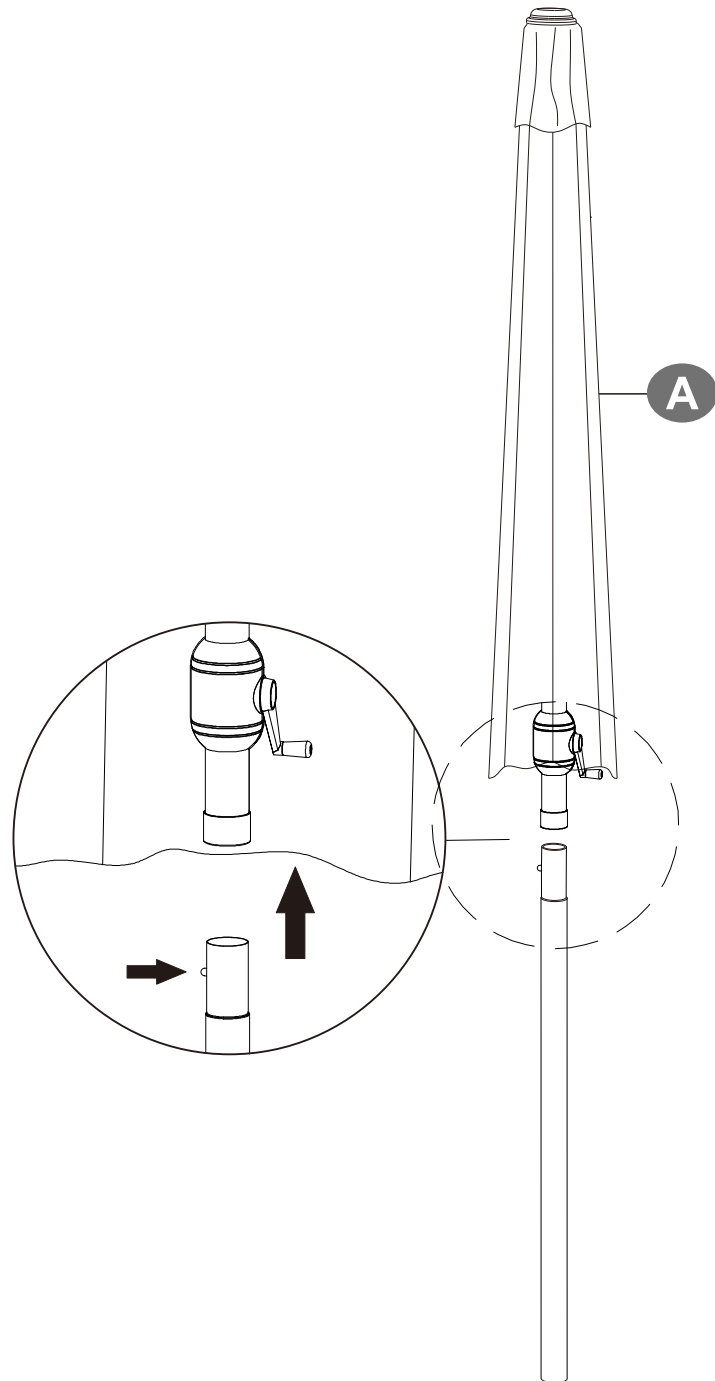


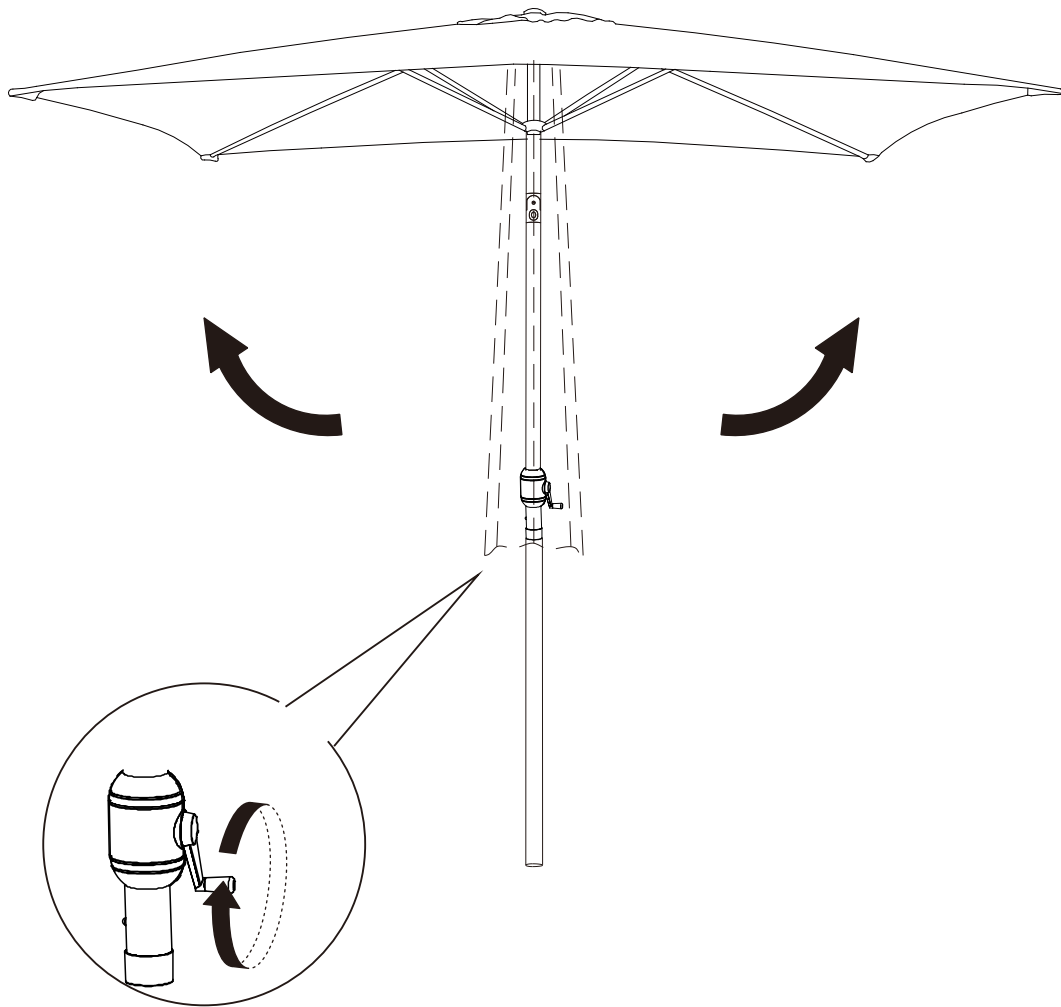
B

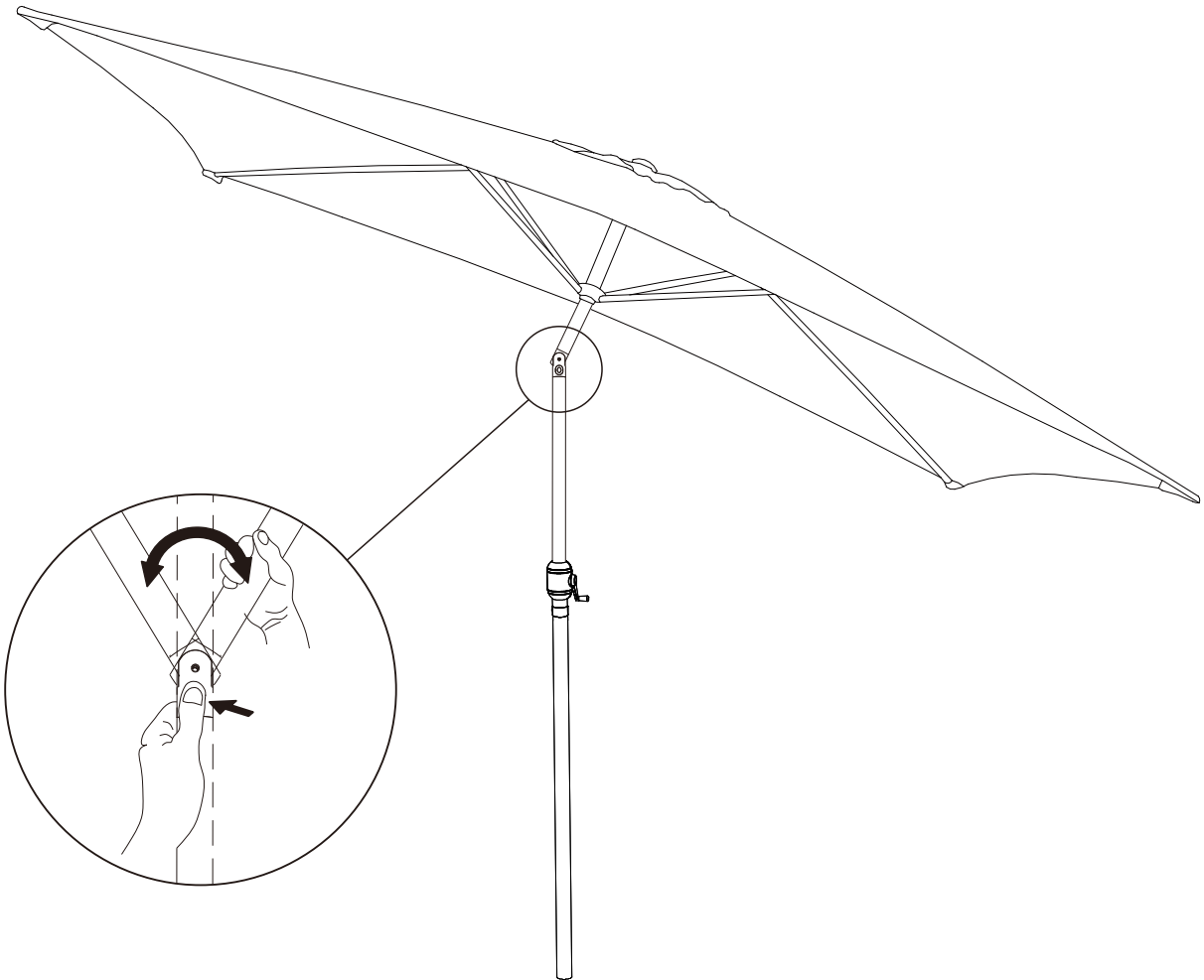
× 1



1







Tilt Mechanism Usage:

1. Locate the lock button and gently press it to unlock the umbrella canopy.
2. Tilt the umbrella canopy to your desired position.
3. Release the button and continue to tilt until you are satisfied; the button will automatically lock.