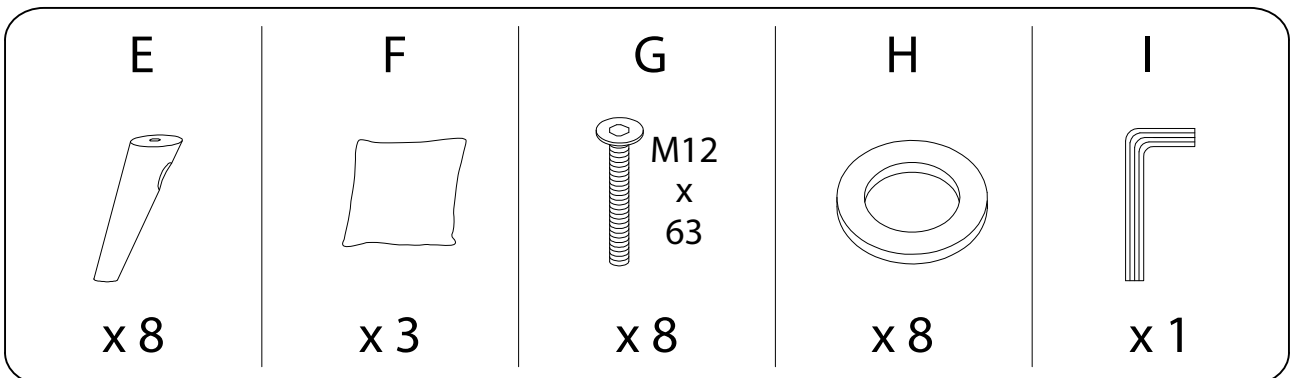
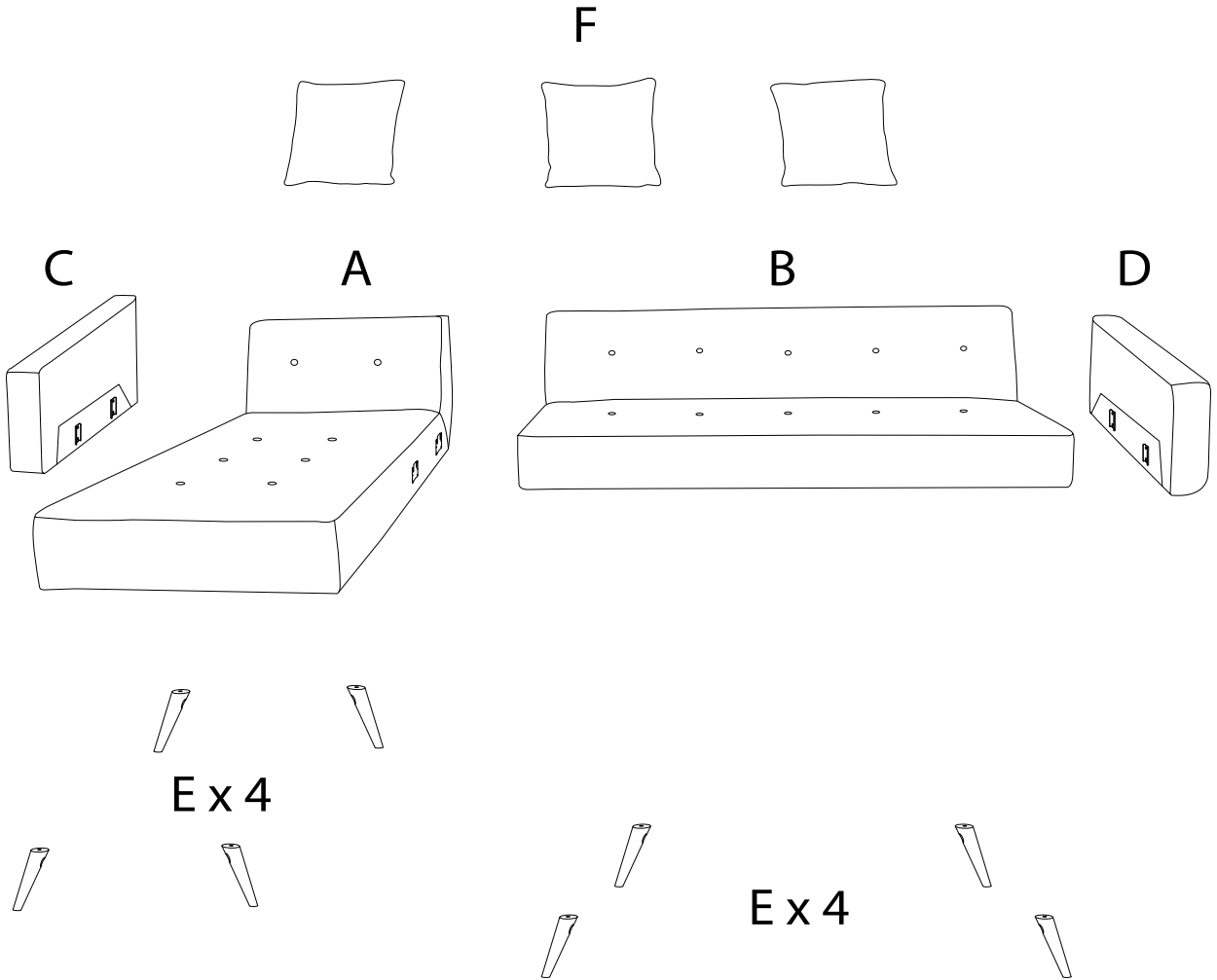
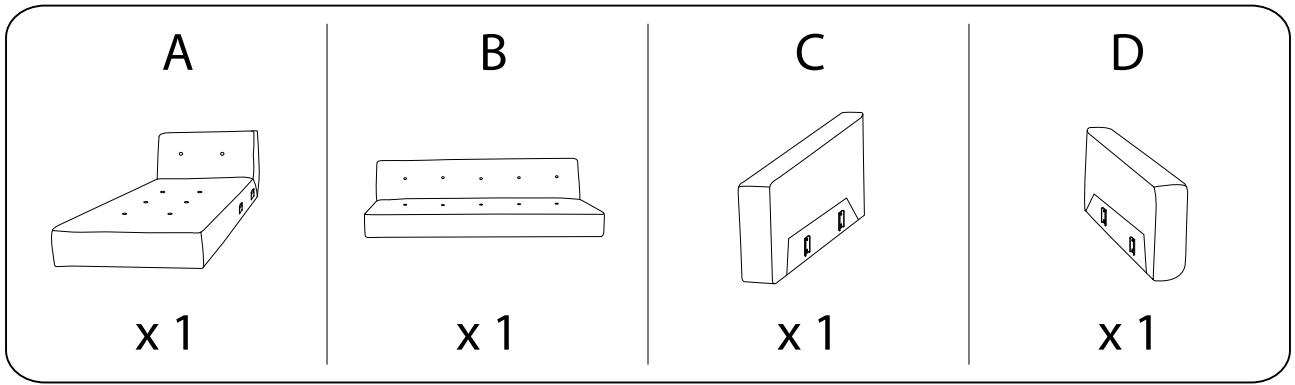
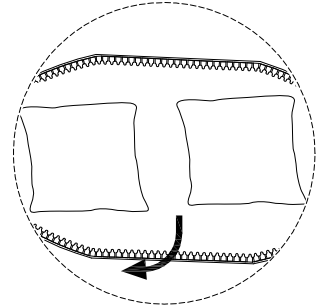
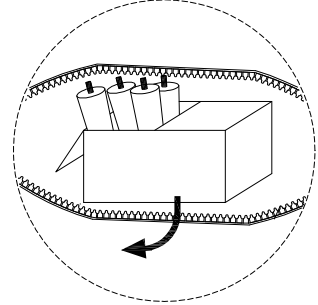
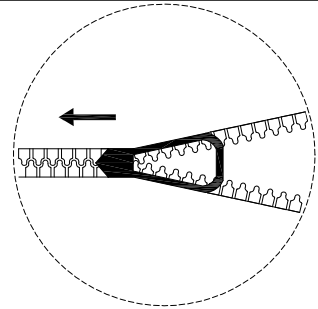
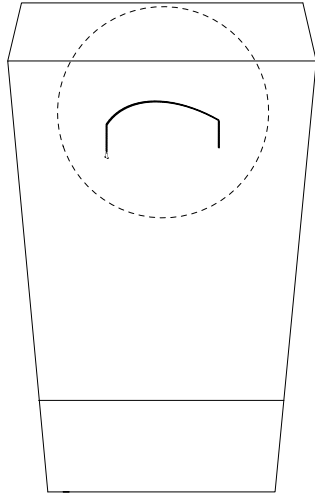

		20'
		1

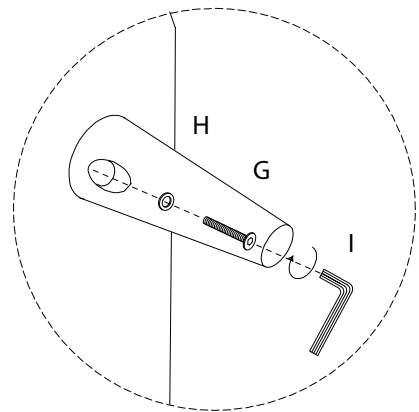
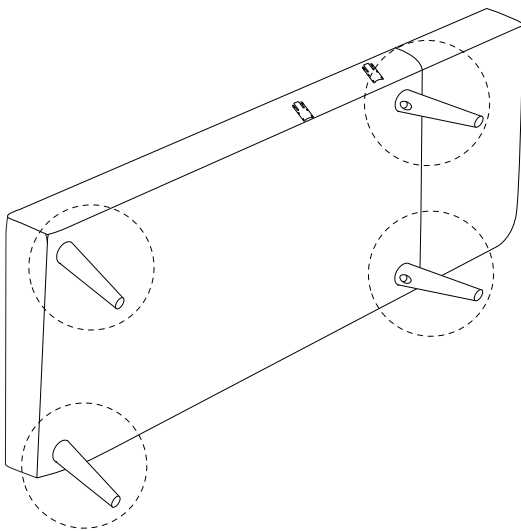


!

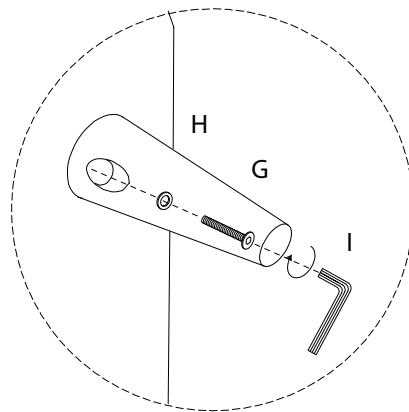
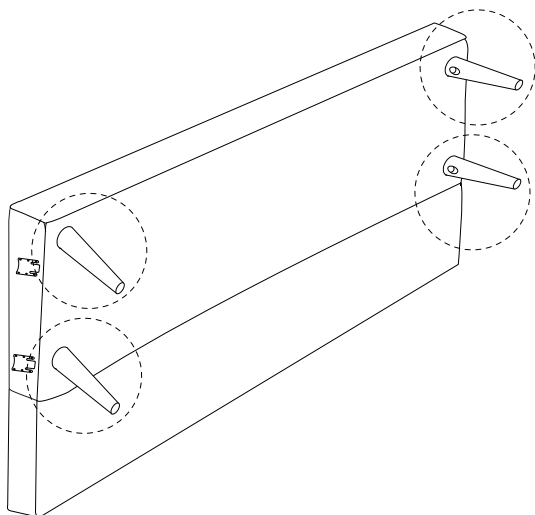
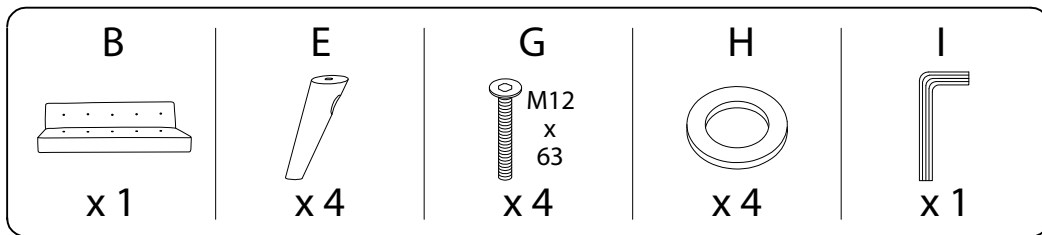


1

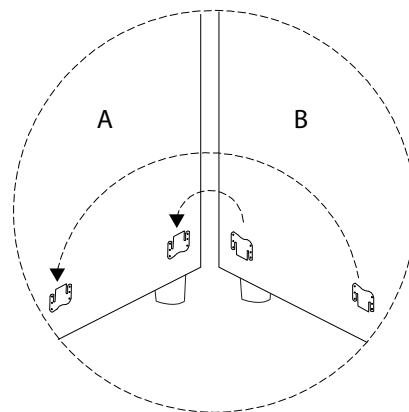
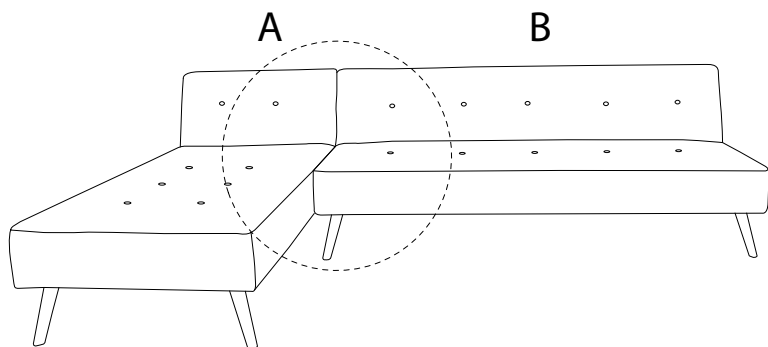
A x 1	E x 4	G M12 x 63 x 4	H x 4	I x 1
---------------------	---------------------	---------------------------------------	---------------------	---------------------



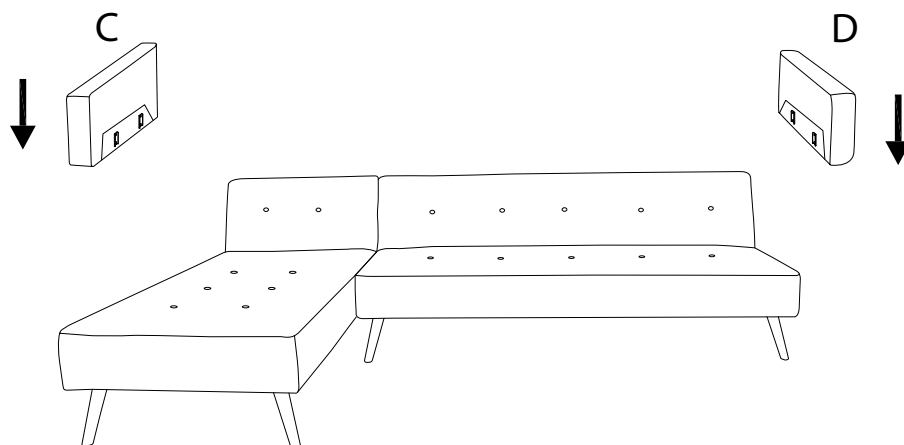
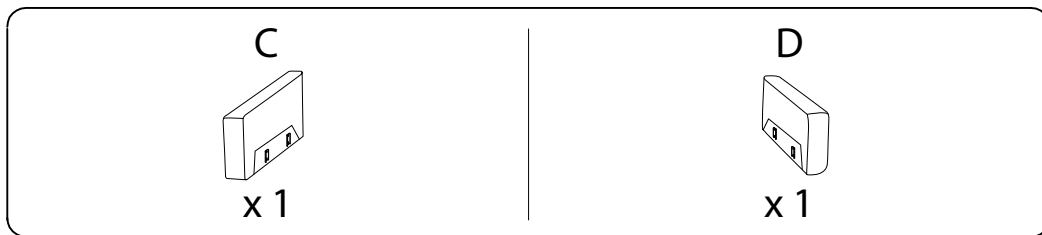
2



3



4



5

