






# PORTHOS

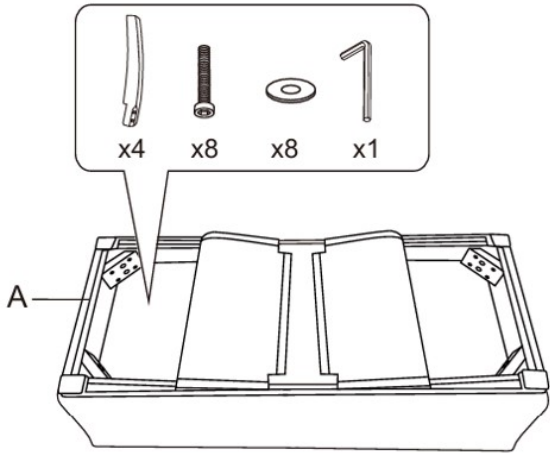
H O M E

## Assembly Instruction – QY063A & QY068A

Reminder: if you notice that the screws are difficult to insert, it may be due to some screws being too tight.  
Please try loosening or tightening the screws as needed to achieve the proper fit.

<b>A</b>  x1
<b>B</b>  x4
<b>C</b>  M8*60mm x8
<b>D</b>  φ8*22*1.5mm x8
<b>E</b>  x1

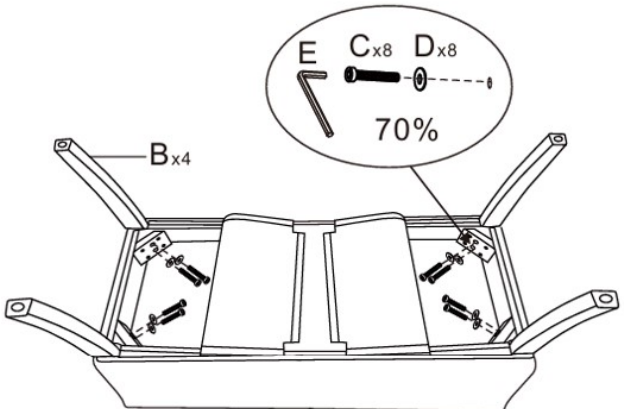
**1**



You will be able to locate part B, C, D & E underneath the part A.

**2**

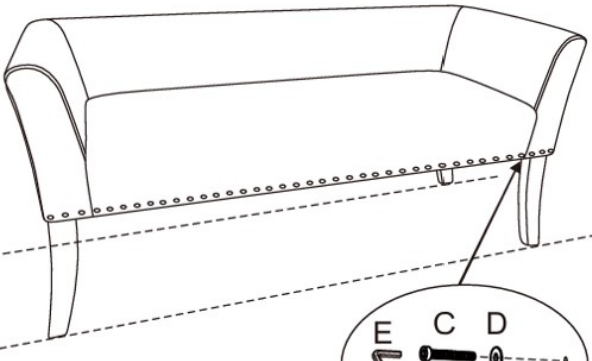
Tighten the screws to 70% only.



B<sub>x4</sub>

E C<sub>x8</sub> D<sub>x8</sub> 70%

**3**



Fully tighten all screws to 100% only after they are all in place.

E C D 100%

**4**

