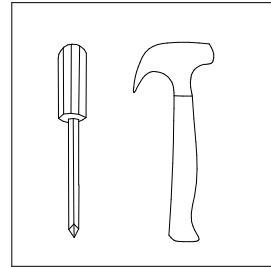
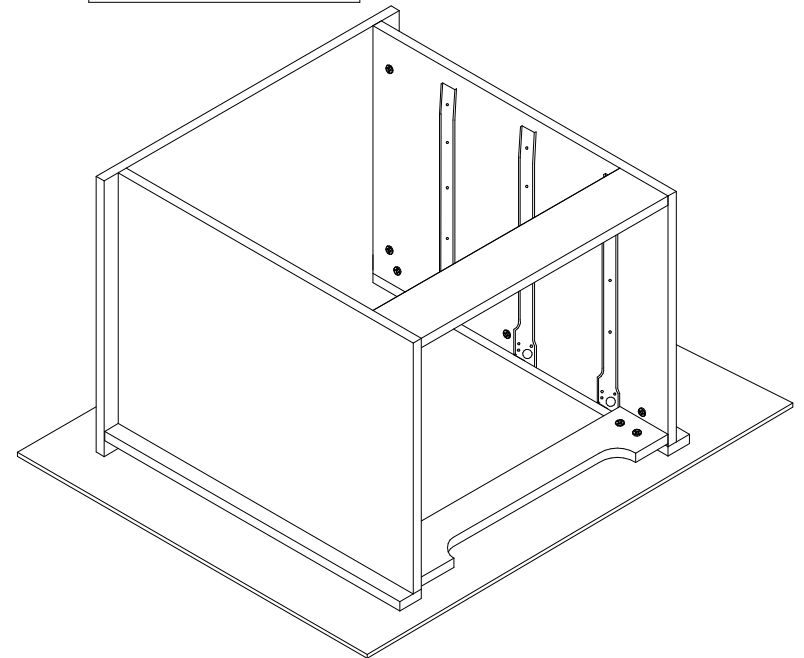
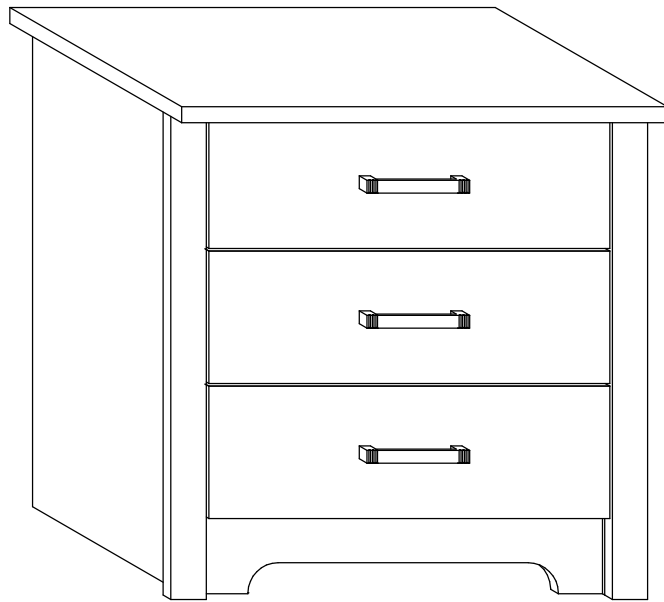


Required Tools : Screwdriver & Hammer

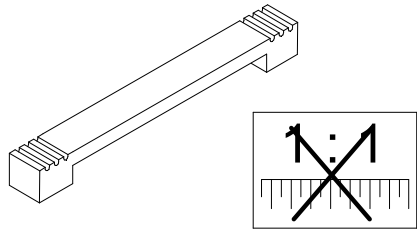


MODEL: HUDSON (NIGHT STAND)



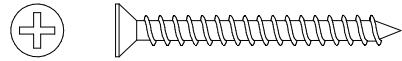
Please place on the carton while installing to prevent damage or scratches.





A **3PCS**

Plastic Handle



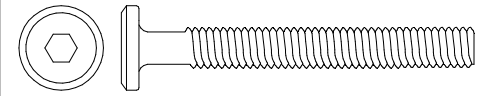
B **6PCS**

Handle Screw
M4 X 40mm



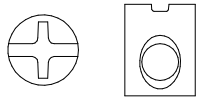
C **18PCS**

Wood Dowel
M6 X 30mm



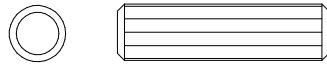
D **6PCS**

JCBC Bolt
M6 X 50mm



E **6PCS**

Barrel Nut



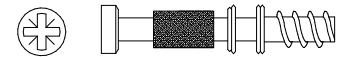
F **2PCS**

Wood Dowel
M8 X 30mm



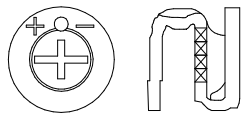
G **1PC**

Allen Key



H **30PCS**

Cam Screw



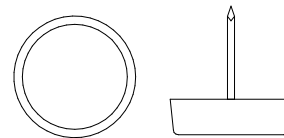
I **30PCS**

Cam Lock



J **16PCS**

Nail



K **4PCS**

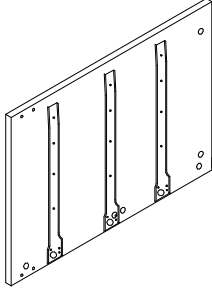
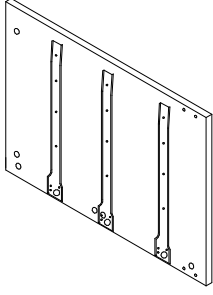
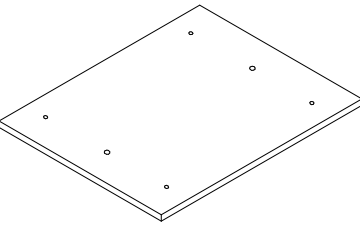
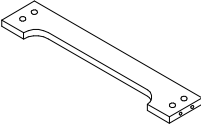
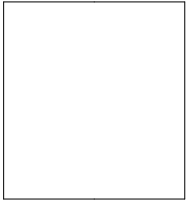
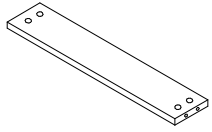
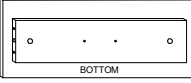

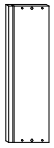
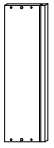

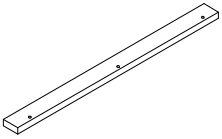
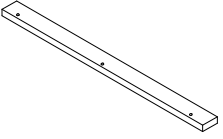
Nail Leg With Pin

1 : 1

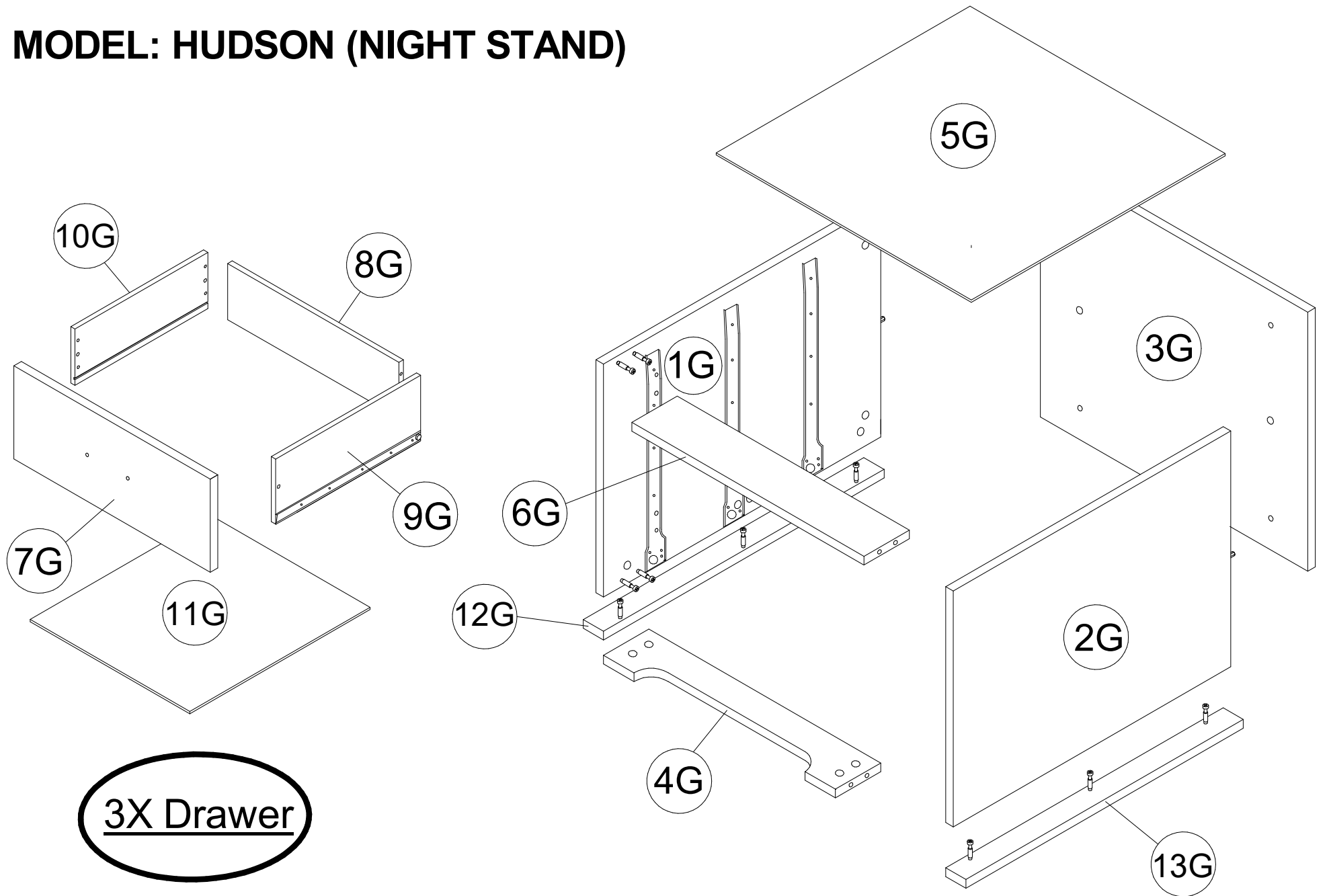


ASSEMBLY INSTRUCTION (PART)

MODEL: HUDSON (NIGHT STAND)

<p>1G</p>  <p style="text-align: center;">SIDE PANEL (R) (1PC)</p>	<p>2G</p>  <p style="text-align: center;">SIDE PANEL (L) (1PC)</p>	<p>3G</p>  <p style="text-align: center;">TABLE TOP (1PC)</p>	<p>4G</p>  <p style="text-align: center;">APRON FRONT PANEL (1PC)</p>	<p>5G</p>  <p style="text-align: center;">BACK PANEL (1PC)</p>	<p>6G</p>  <p style="text-align: center;">APRON BACK PANEL (1PC)</p>		
<p>7G</p>  <p style="text-align: center;">DRAWER TOP (3PCS)</p>		<p>8G</p>  <p style="text-align: center;">DRAWER BACK PANEL (3PCS)</p>		<p>9G</p>  <p style="text-align: center;">DRAWER SIDE PANEL R (3PCS)</p>		<p>10G</p>  <p style="text-align: center;">DRAWER SIDE PANEL L (3PCS)</p>	
<p>11G</p>  <p style="text-align: center;">DRAWER PANEL (3PCS)</p>		<p>12G</p>  <p style="text-align: center;">FRAME (R) (1PC)</p>			<p>13G</p>  <p style="text-align: center;">FRAME (L) (1PC)</p>		

MODEL: HUDSON (NIGHT STAND)




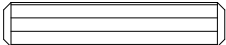
ASSEMBLY INSTRUCTION

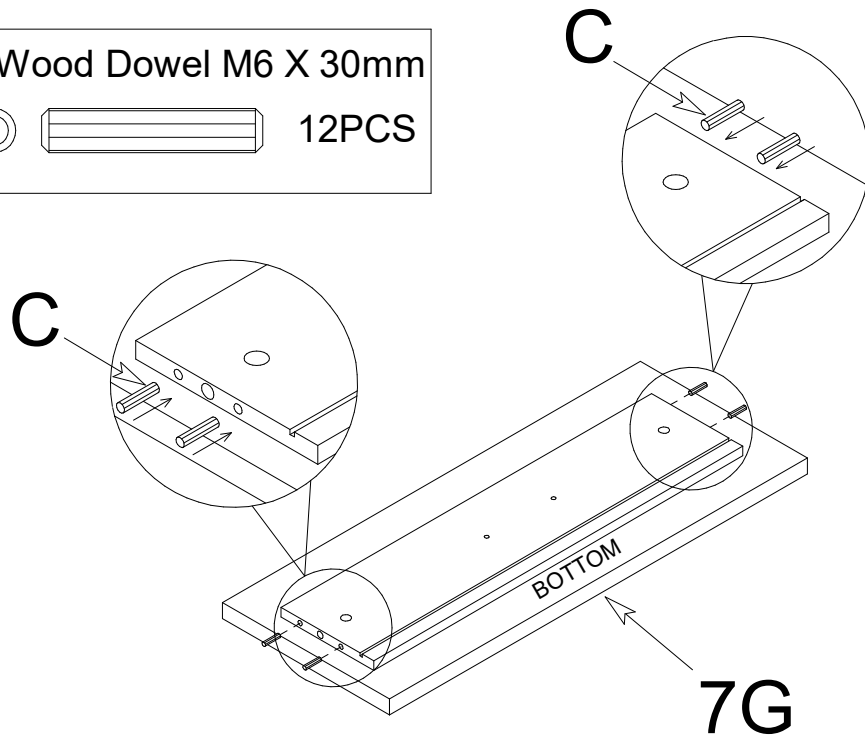
MODEL: HUDSON (NIGHT STAND)

STEP 1.

3X Drawer

C-Wood Dowel M6 X 30mm

  12PCS




Pre-Assembly

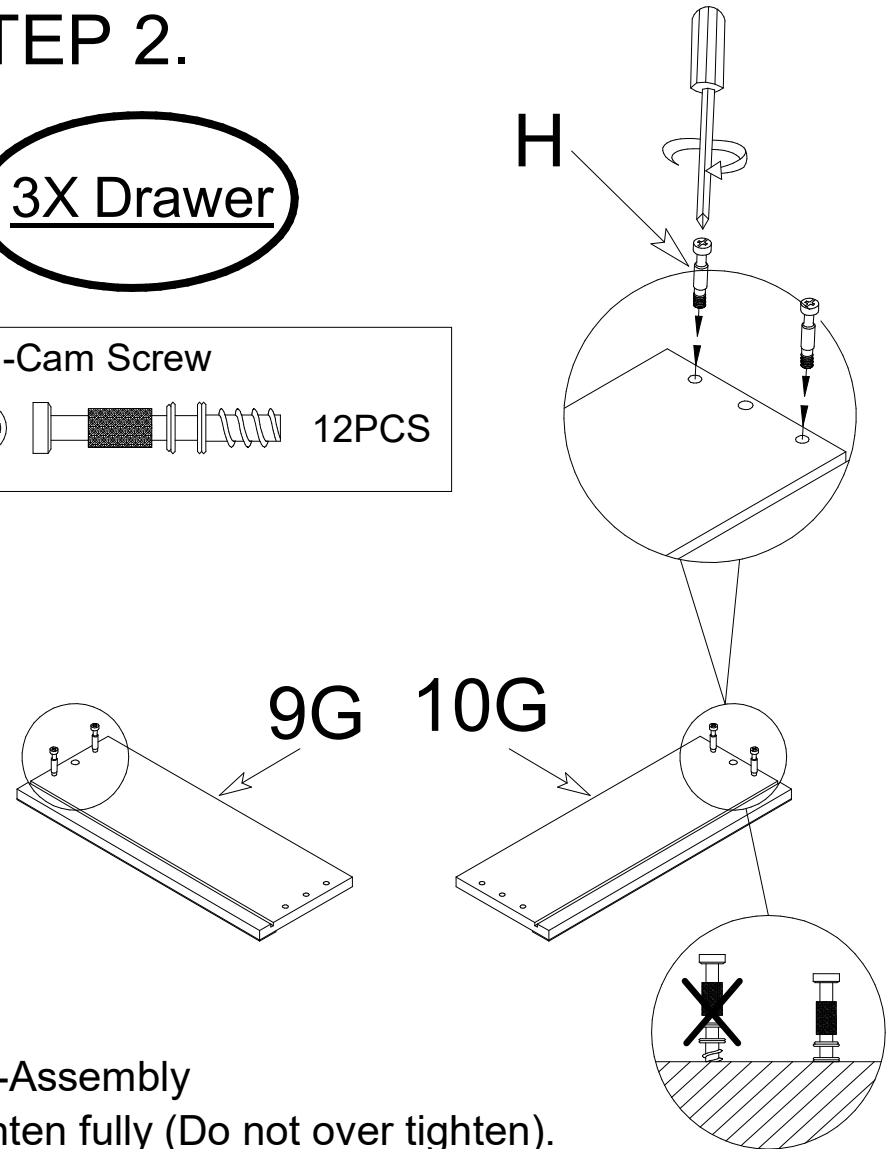
Insert wood dowel in predrilled hole.

STEP 2.

3X Drawer

H-Cam Screw

  12PCS



Pre-Assembly

Tighten fully (Do not over tighten).

ASSEMBLY INSTRUCTION

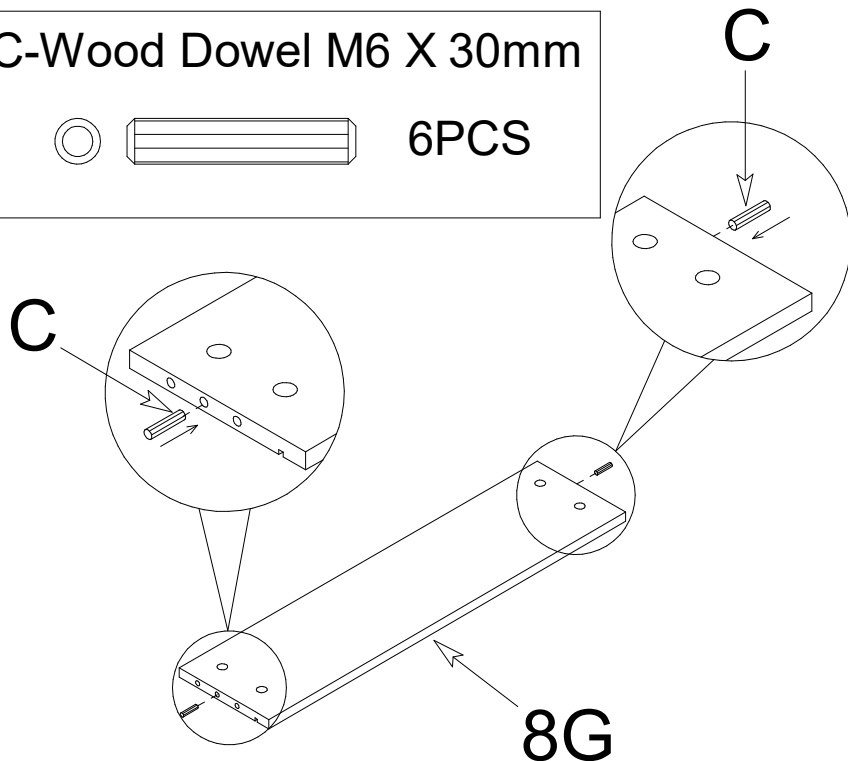
MODEL: HUDSON (NIGHT STAND)

STEP 3.

3X Drawer

C-Wood Dowel M6 X 30mm

 6PCS



Pre-Assembly

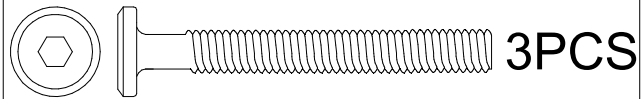
Insert wood dowel in predrilled hole.

STEP 4.

3X Drawer

10G

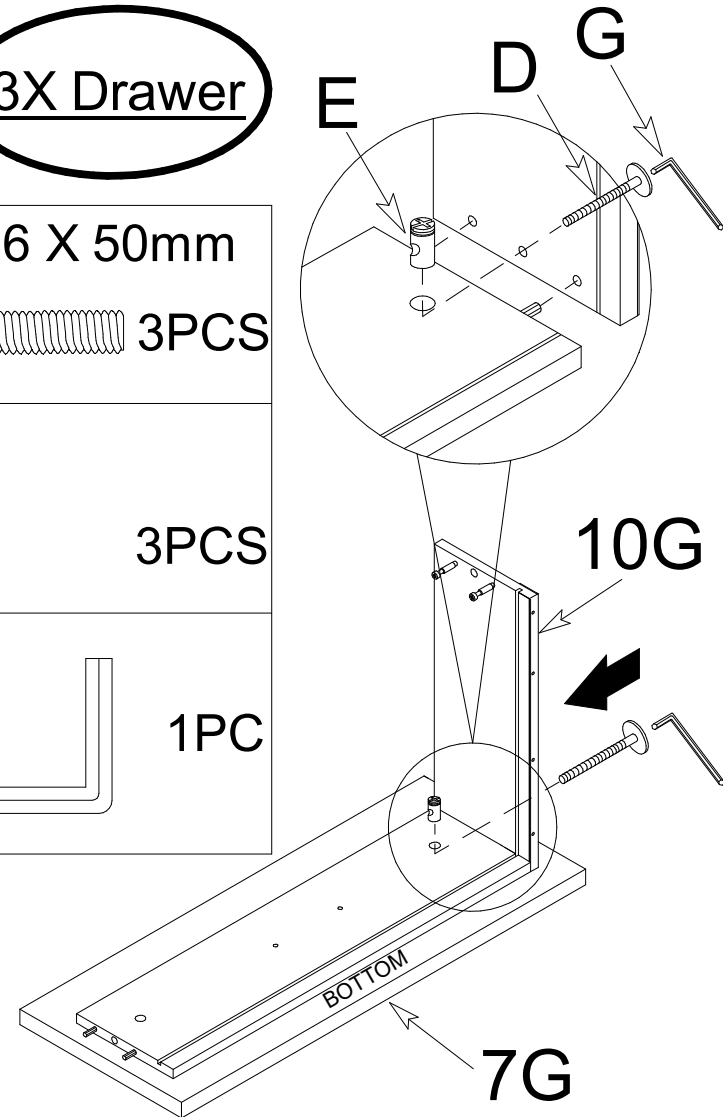
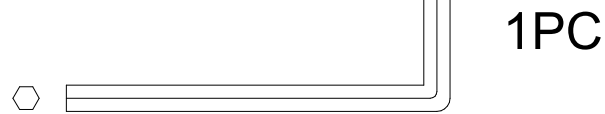
D-JCBC Bolt M6 X 50mm



E-Barrel Nut



G-Allen Key



Tighten fully. (Do not over tighten).

ASSEMBLY INSTRUCTION

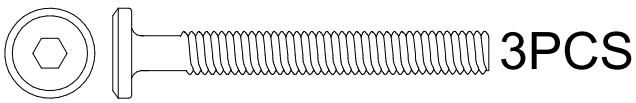
MODEL: HUDSON (NIGHT STAND)

STEP 5.

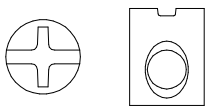
3X Drawer

9G

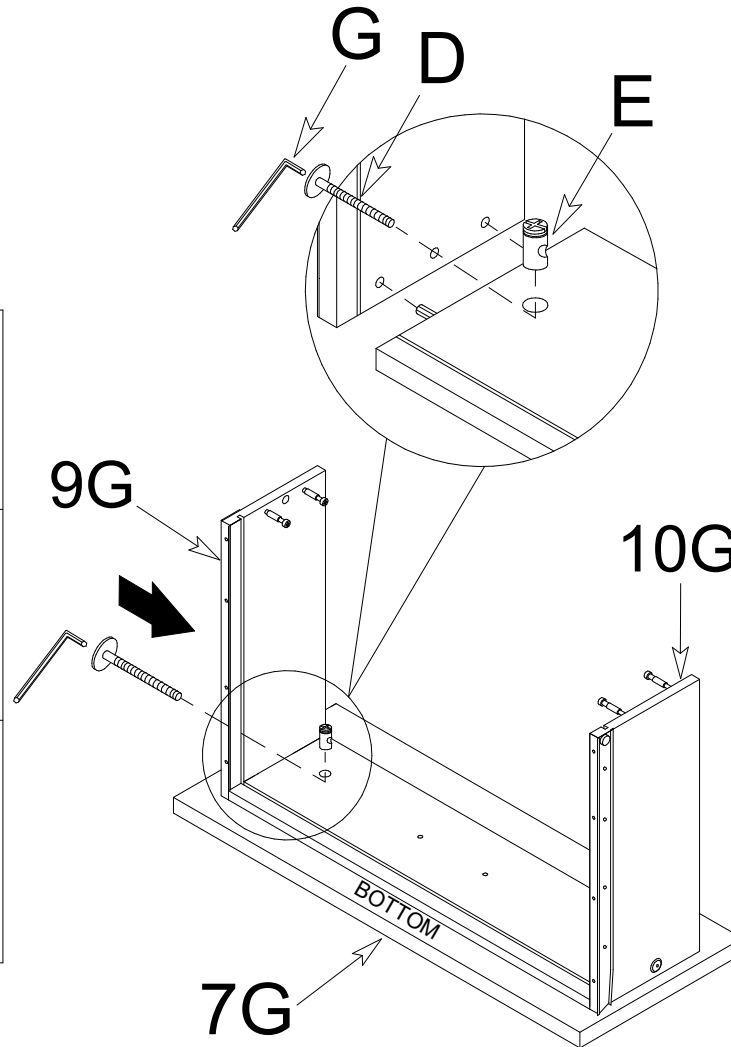
D-JCBC Bolt M6 X 50mm



E-Barrel Nut



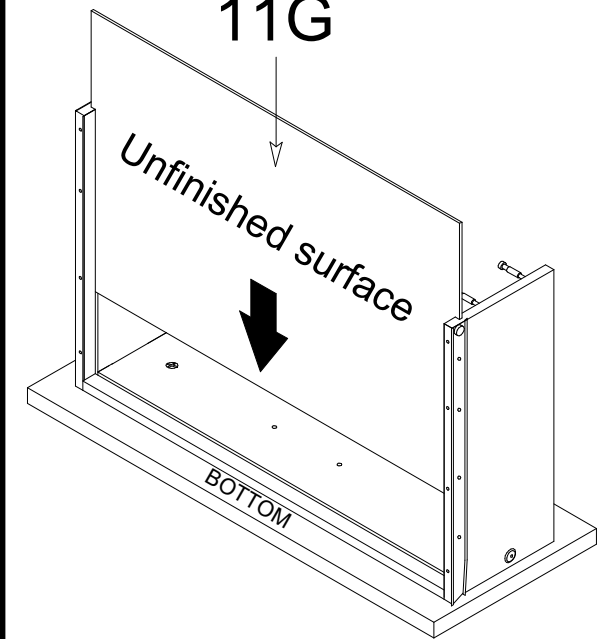
G-Allen Key



STEP 6.

3X Drawer

11G



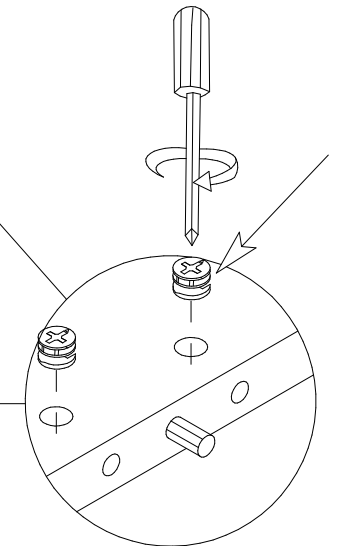
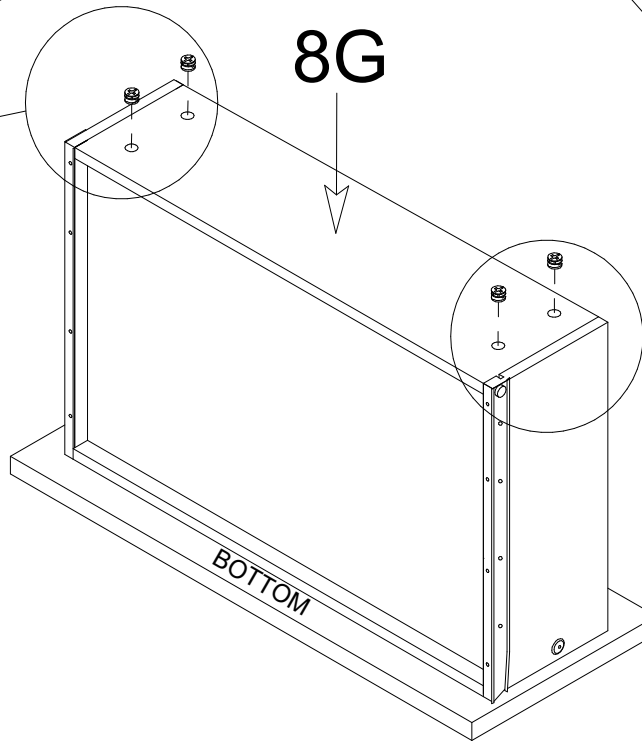
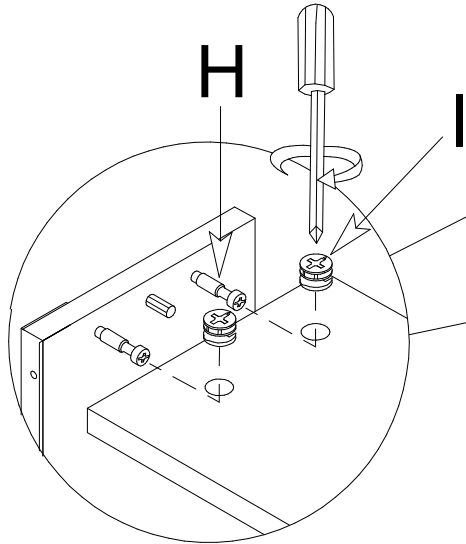
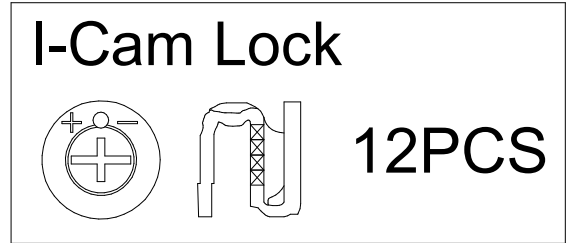
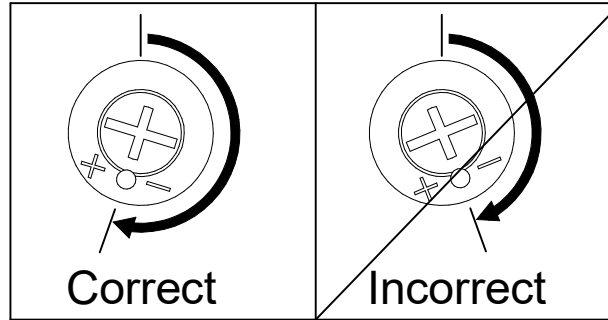
Tighten fully. (Do not over tighten).

ASSEMBLY INSTRUCTION

MODEL: HUDSON (NIGHT STAND)

STEP 7.

Tighten fully. (Do not over tighten).



Proper orientation
of Cam Lock (I).
1/2 turn to fully lock.

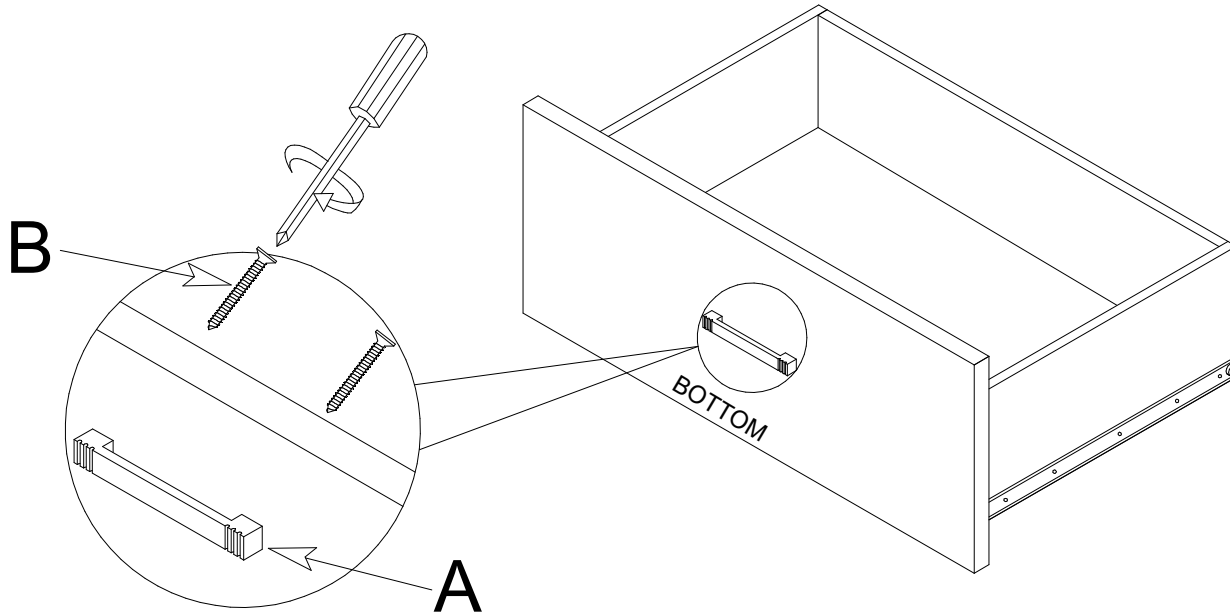
3X Drawer

ASSEMBLY INSTRUCTION

MODEL: HUDSON (NIGHT STAND)

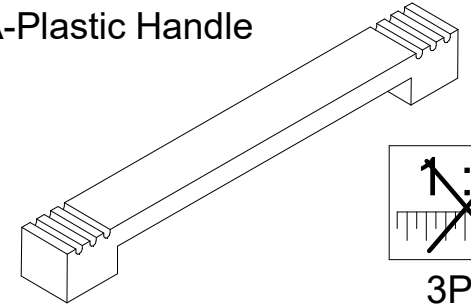
STEP 8.

3X Drawer



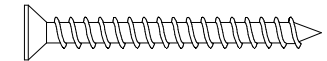
Attach handle using handle screw (B).

A-Plastic Handle



3PCS

B-Handle Screw M4 X 40mm

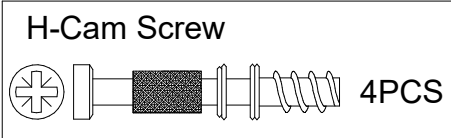


6PCS

ASSEMBLY INSTRUCTION

MODEL: HUDSON (NIGHT STAND)

STEP 9.



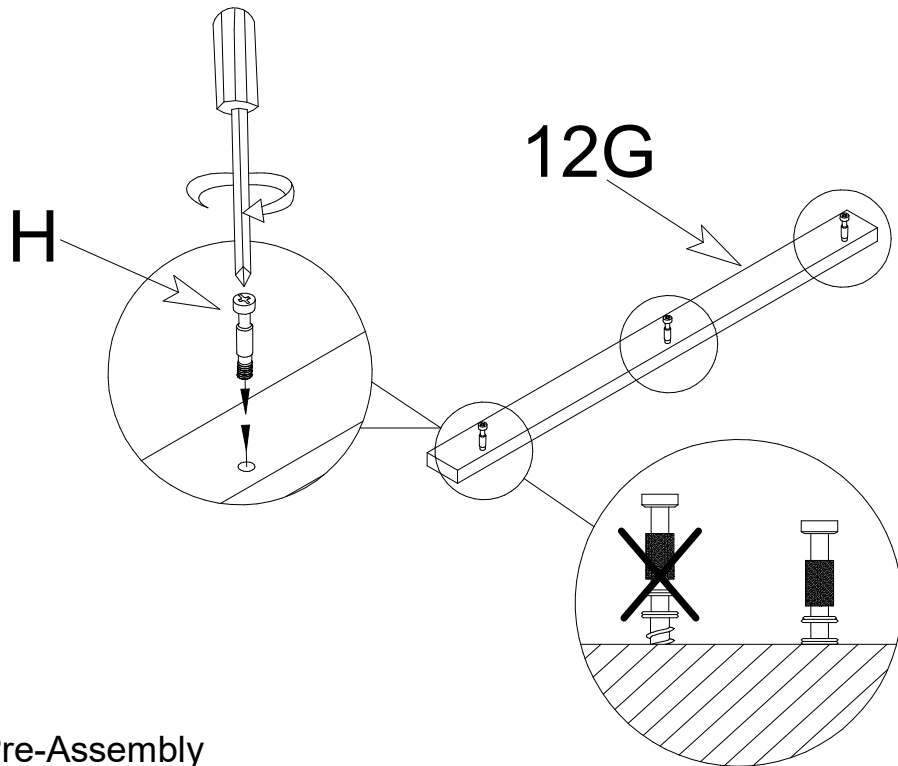
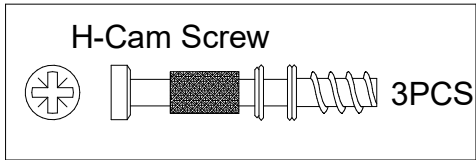
Pre-Assembly

Tighten fully. (Do not over tighten).

ASSEMBLY INSTRUCTION

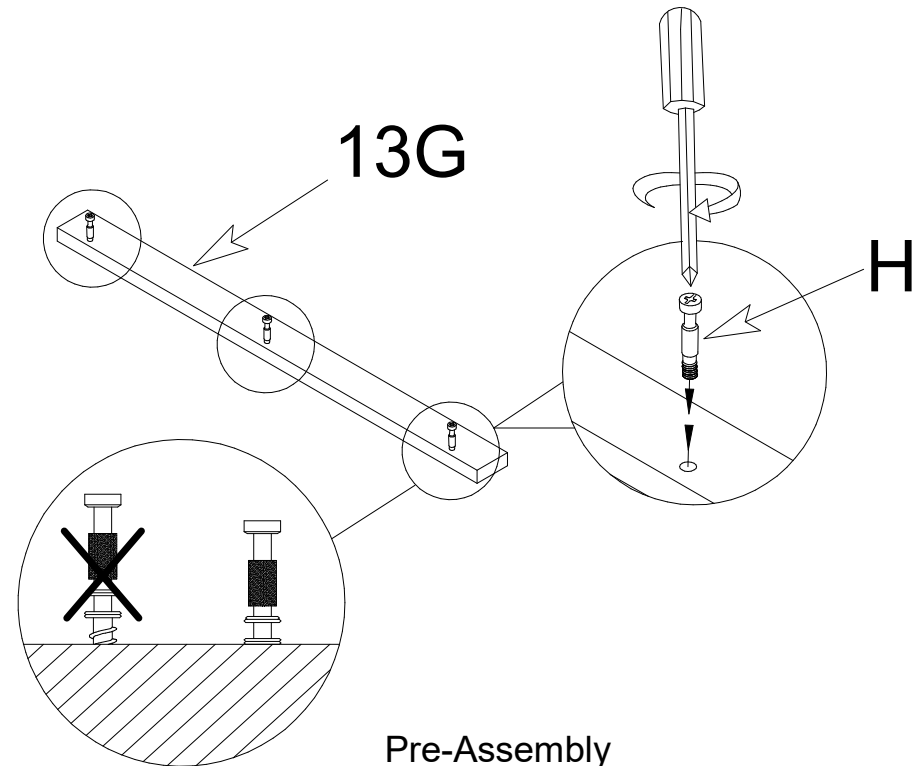
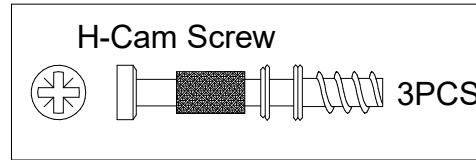
MODEL: HUDSON (NIGHT STAND)

STEP 10.



Pre-Assembly
Tighten fully.(Do not over tighten).

STEP 11.

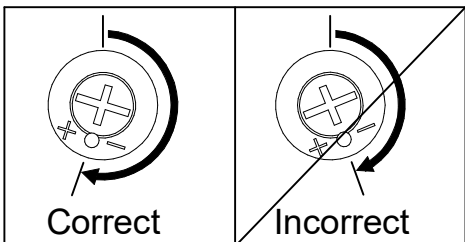


Pre-Assembly
Tighten fully.(Do not over tighten).

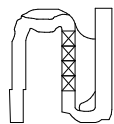
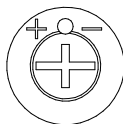
ASSEMBLY INSTRUCTION

MODEL: HUDSON (NIGHT STAND)

STEP 12.

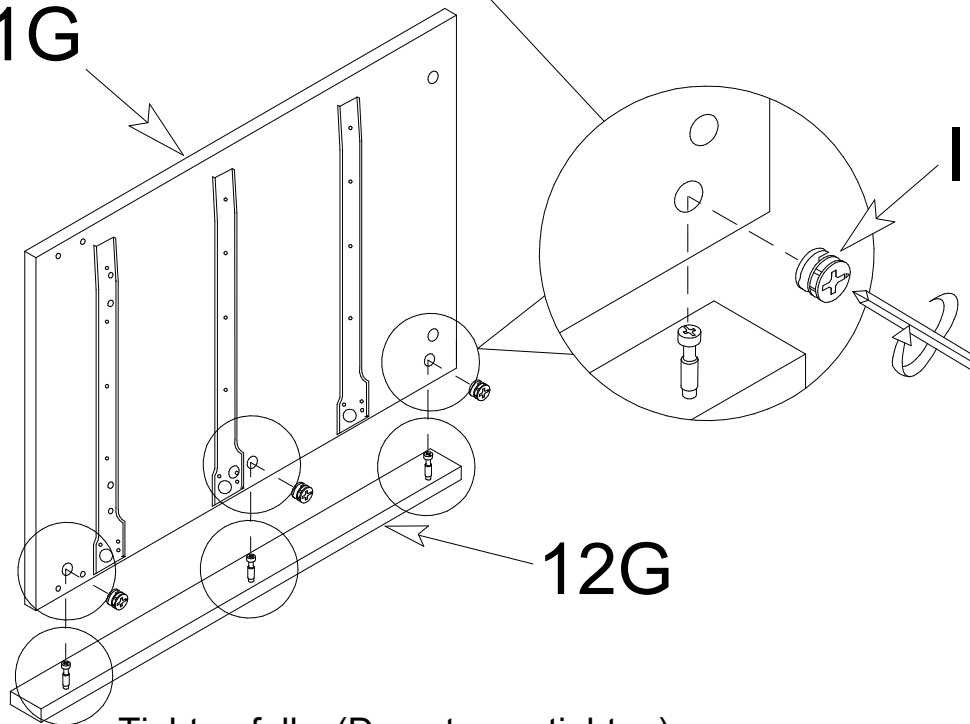


I-Cam Lock



3PCS

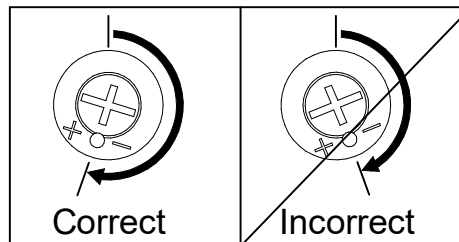
1G



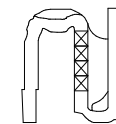
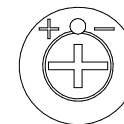
12G

Tighten fully. (Do not over tighten).
Proper orientation of Cam Lock (l)1/2 turn to fully lock.

STEP 13.

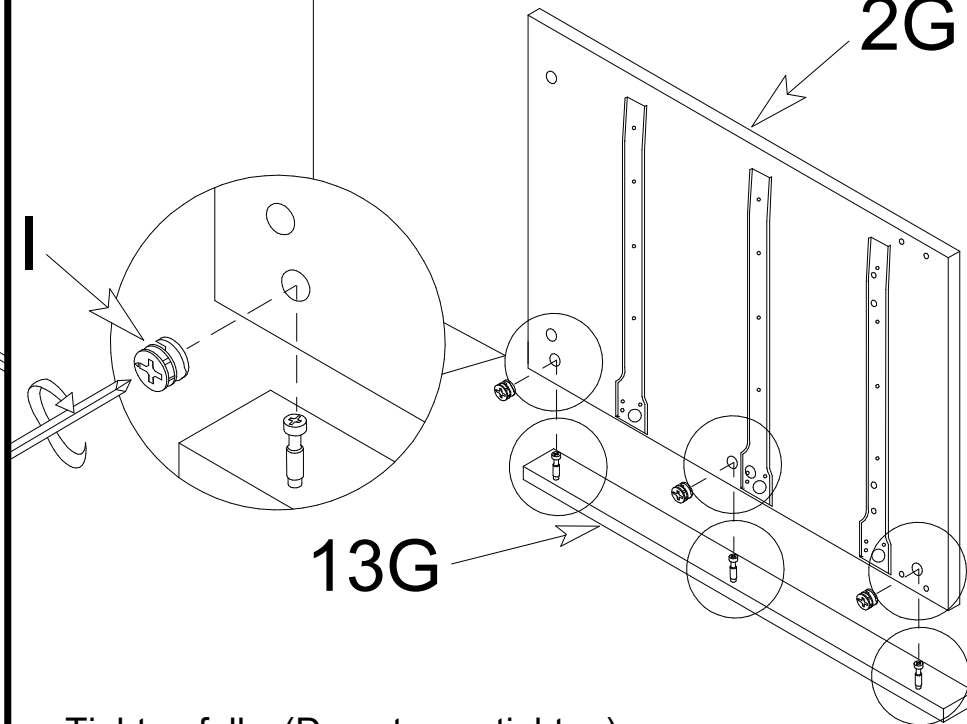


I-Cam Lock



3PCS

2G



13G

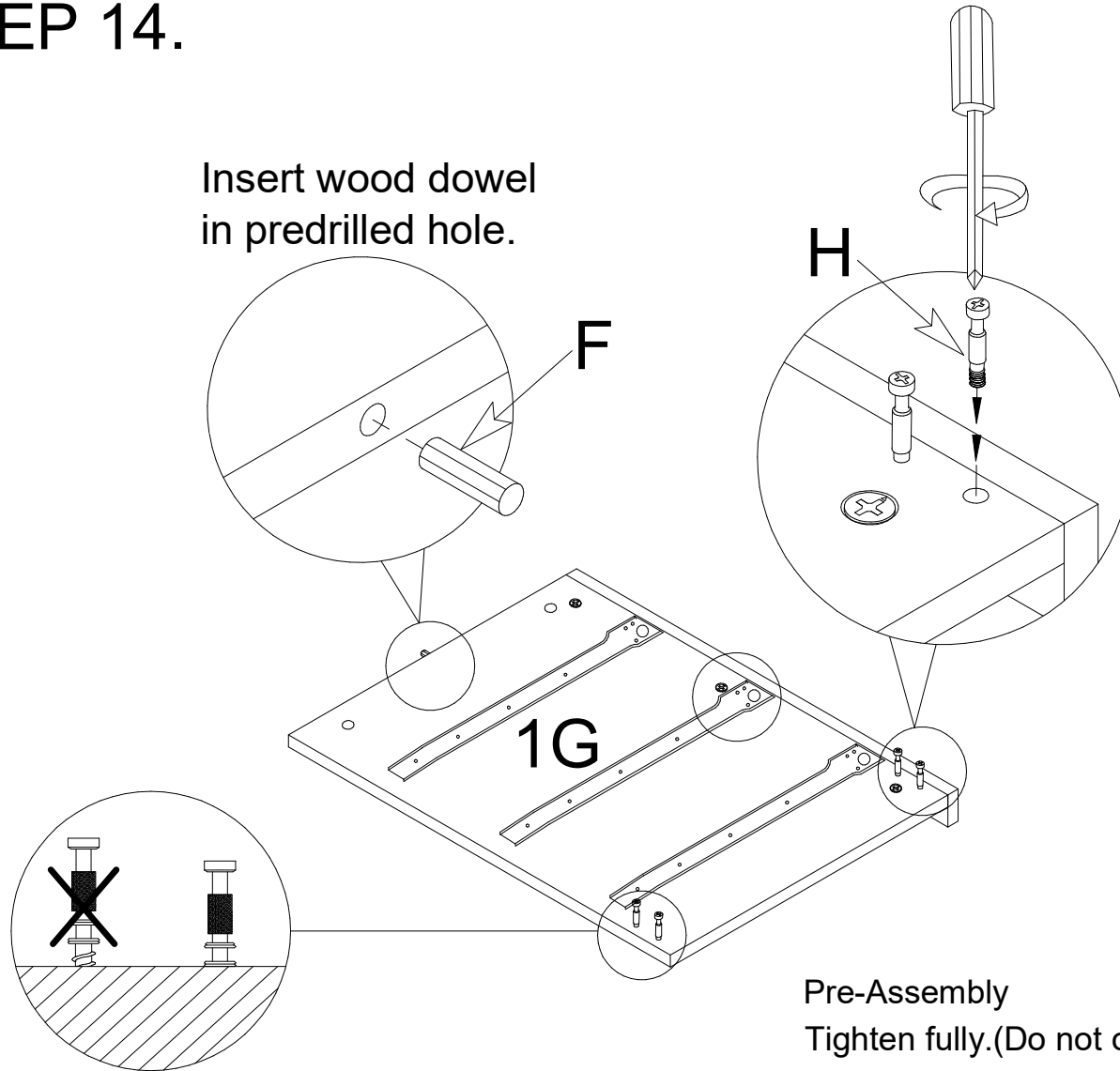
Tighten fully. (Do not over tighten).
Proper orientation of Cam Lock (l)1/2 turn to fully lock.

ASSEMBLY INSTRUCTION

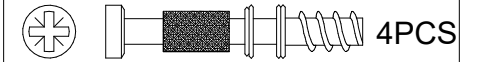
MODEL: HUDSON (NIGHT STAND)

STEP 14.

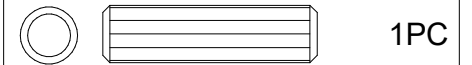
Insert wood dowel
in predrilled hole.



H-Cam Screw



F-Wood Dowel M8 X 30



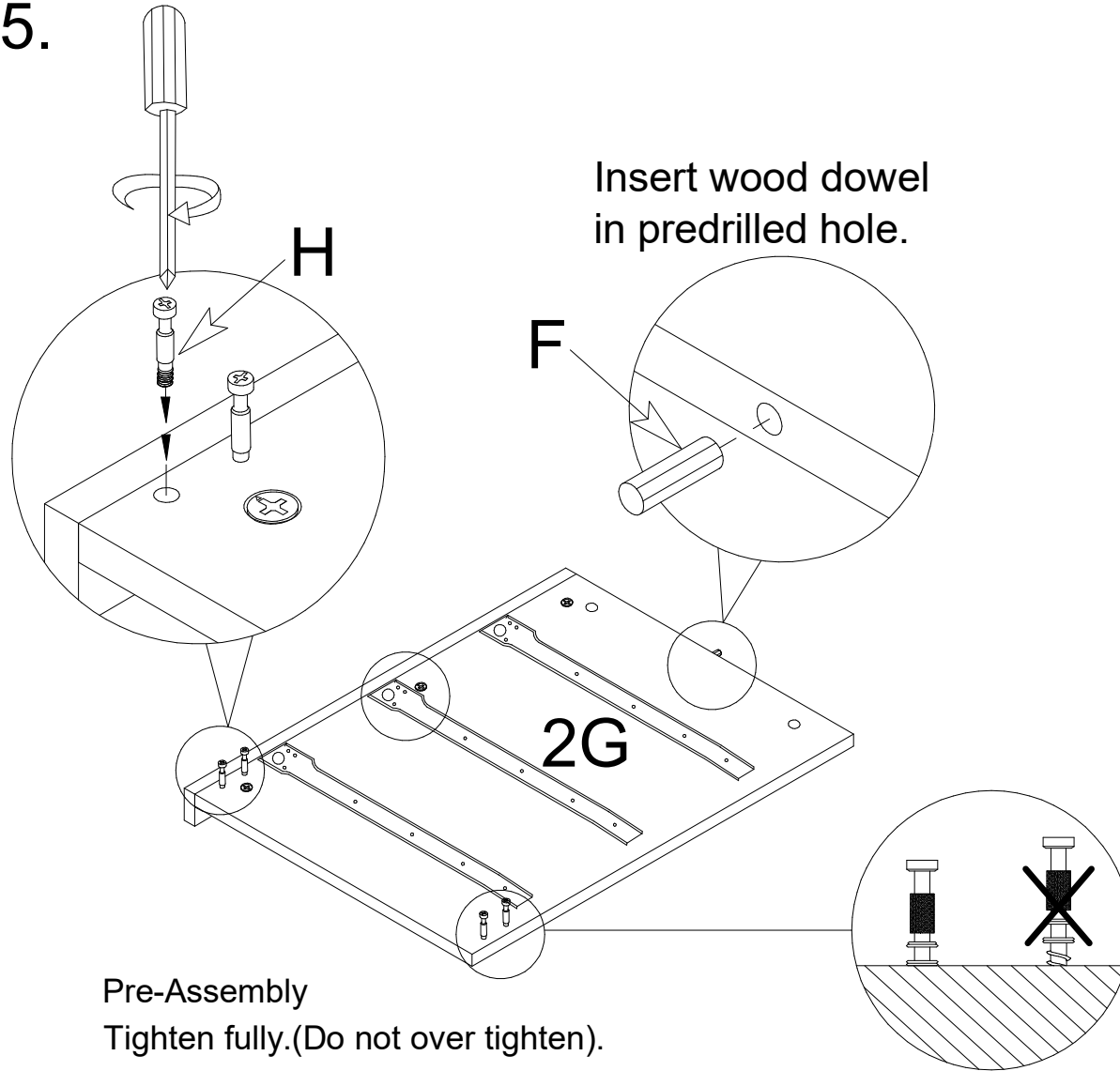
Pre-Assembly

Tighten fully.(Do not over tighten).

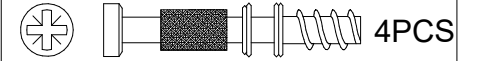
ASSEMBLY INSTRUCTION

MODEL: HUDSON (NIGHT STAND)

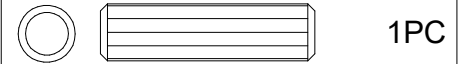
STEP 15.



H-Cam Screw



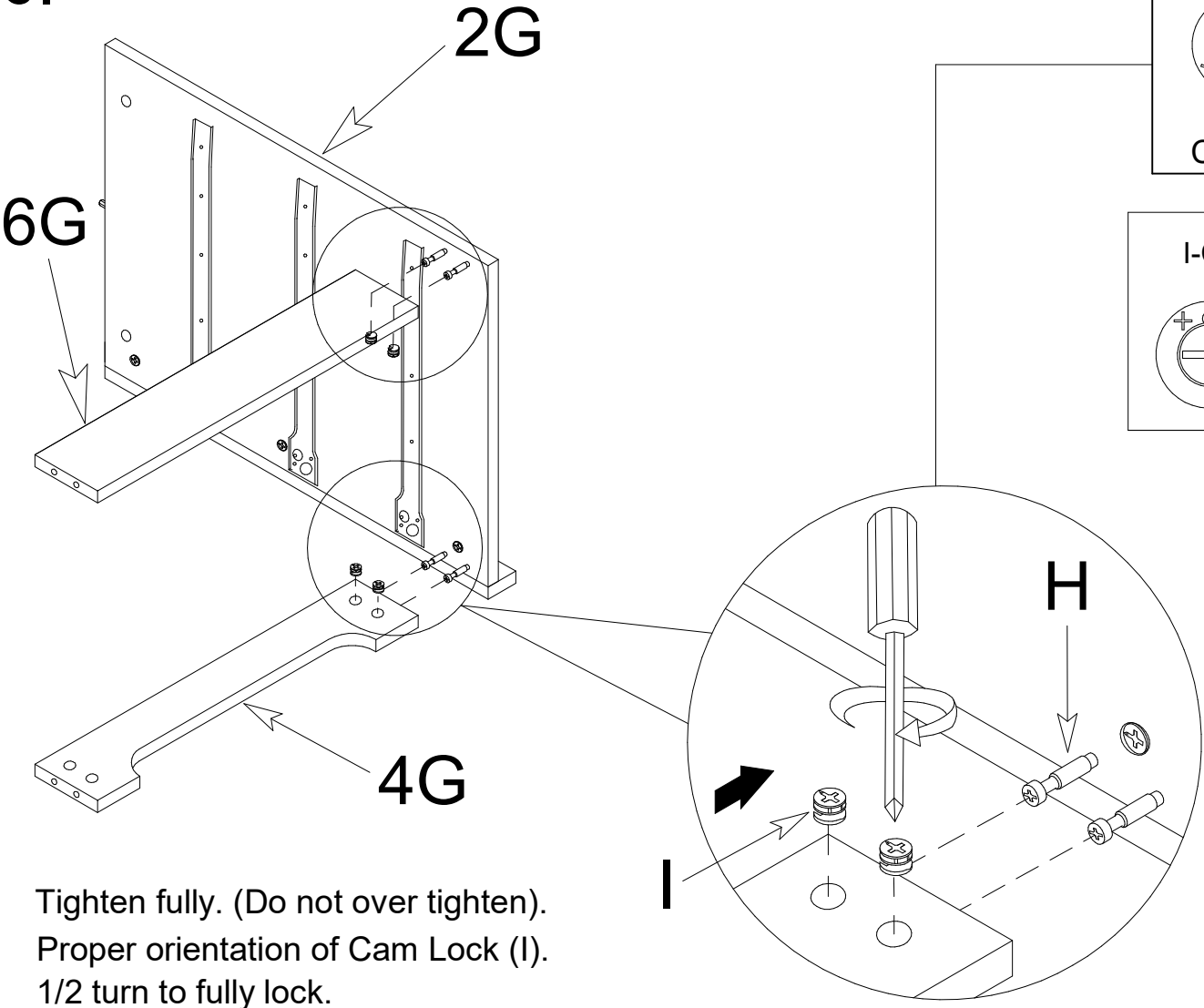
F-Wood Dowel M8 X 30



ASSEMBLY INSTRUCTION

MODEL: HUDSON (NIGHT STAND)

STEP 16.

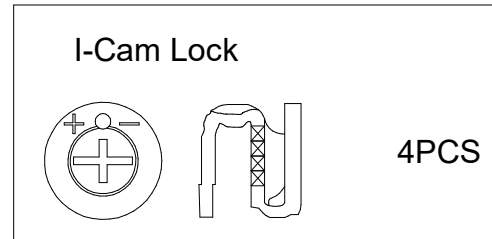
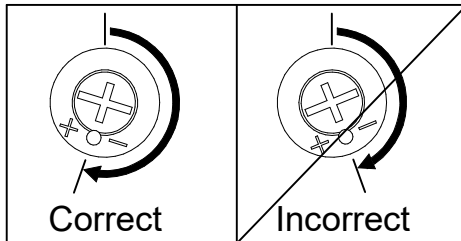


Tighten fully. (Do not over tighten).
Proper orientation of Cam Lock (I).
1/2 turn to fully lock.

ASSEMBLY INSTRUCTION

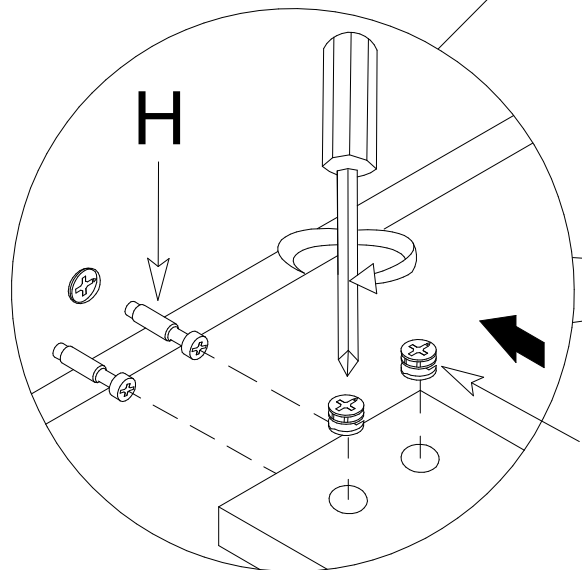
MODEL: HUDSON (NIGHT STAND)

STEP 17.



Tighten fully. (Do not over tighten).
Proper orientation of Cam Lock (I).
1/2 turn to fully lock.

1G

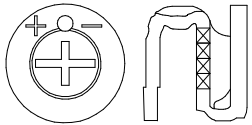


ASSEMBLY INSTRUCTION

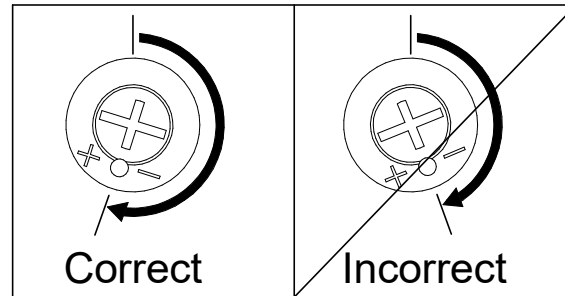
MODEL: HUDSON (NIGHT STAND)

STEP 18.

I-Cam Lock

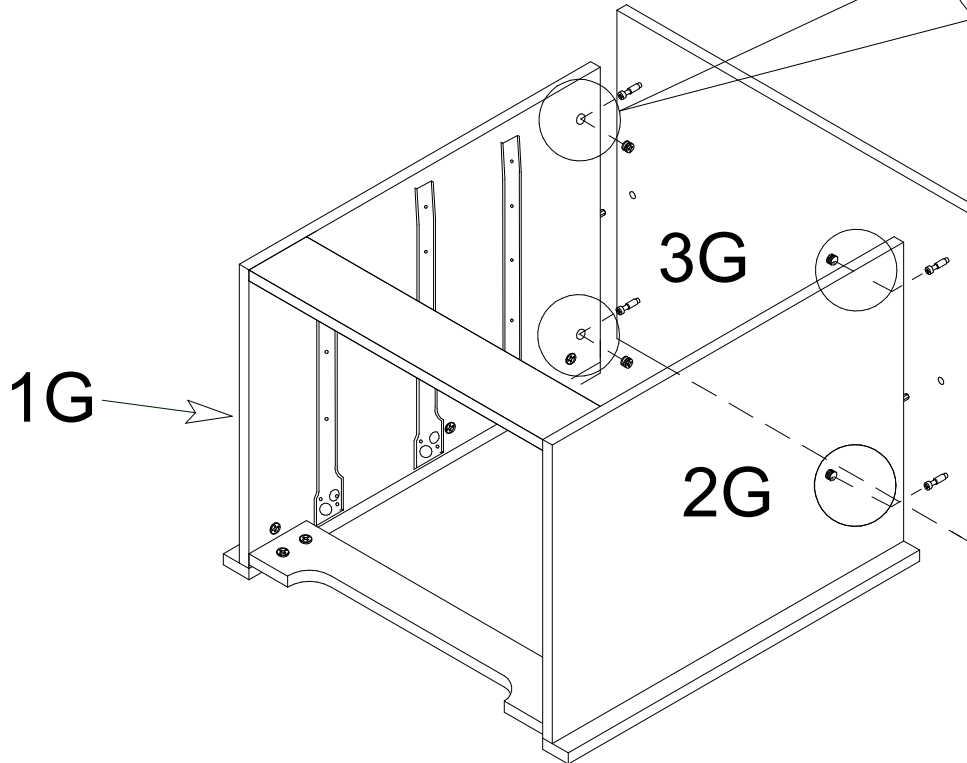
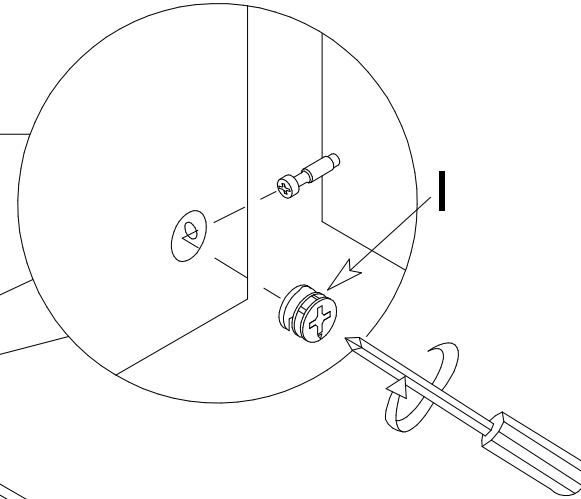


4PCS



Correct

Incorrect

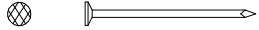
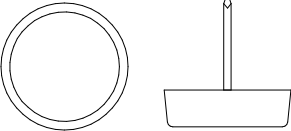


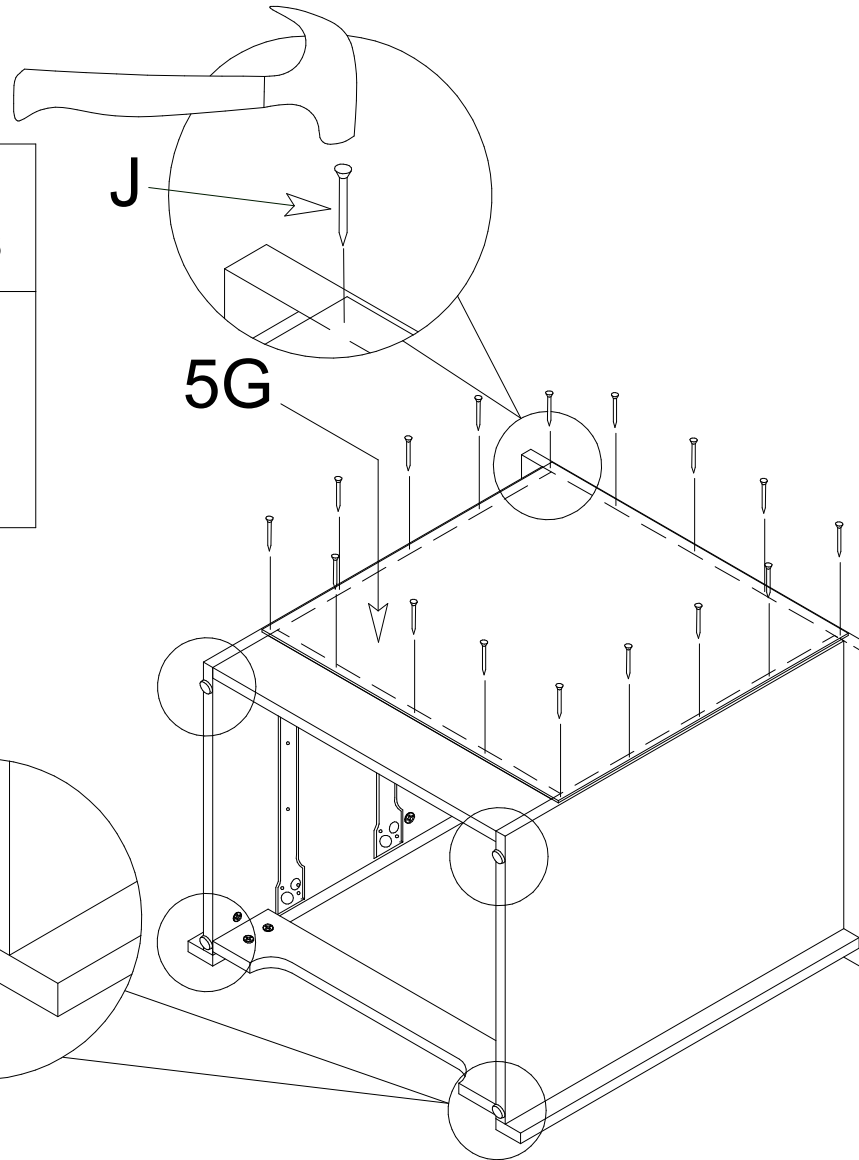
Tighten fully. (Do not over tighten).
Proper orientation of Cam Lock (I).
1/2 turn to fully lock.

ASSEMBLY INSTRUCTION

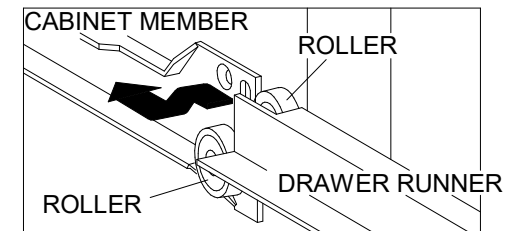
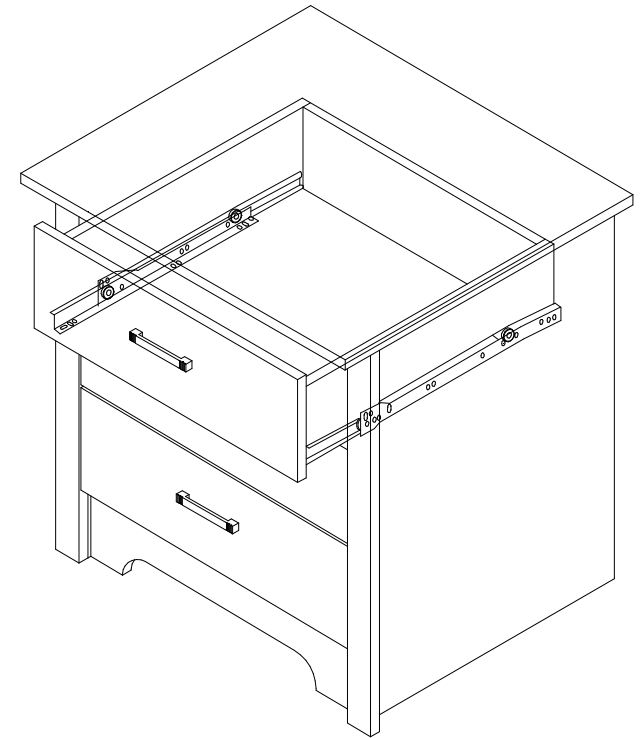
MODEL: HUDSON (NIGHT STAND)

STEP 19.

J-Nail	16PCS
	
K-Nail Leg With Pin	4PCS
	



STEP 20.



Put in drawer on the track.