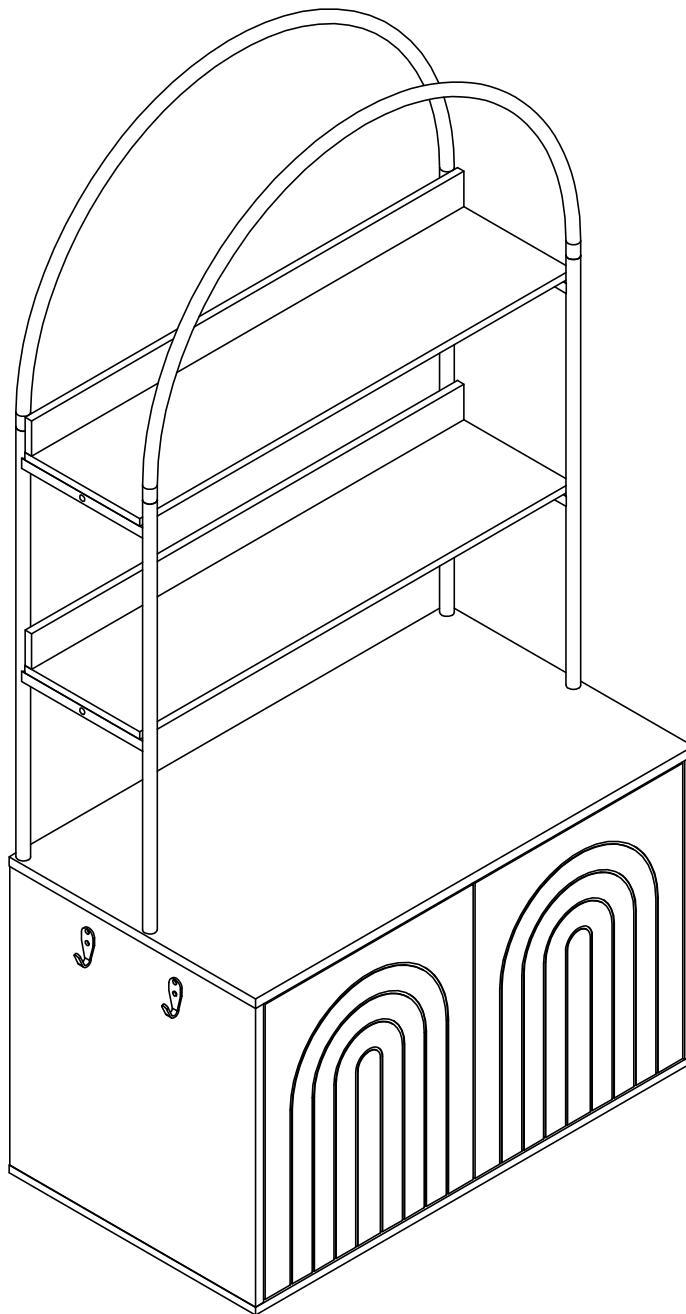


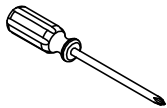
Installation Instruction



Assembling

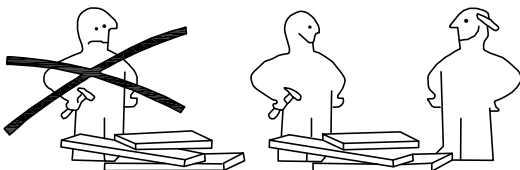
What you need

- Use the packaging carton as a working surface to prevent product damage during assembly
- Phillips head screwdriver



Weight Limitation

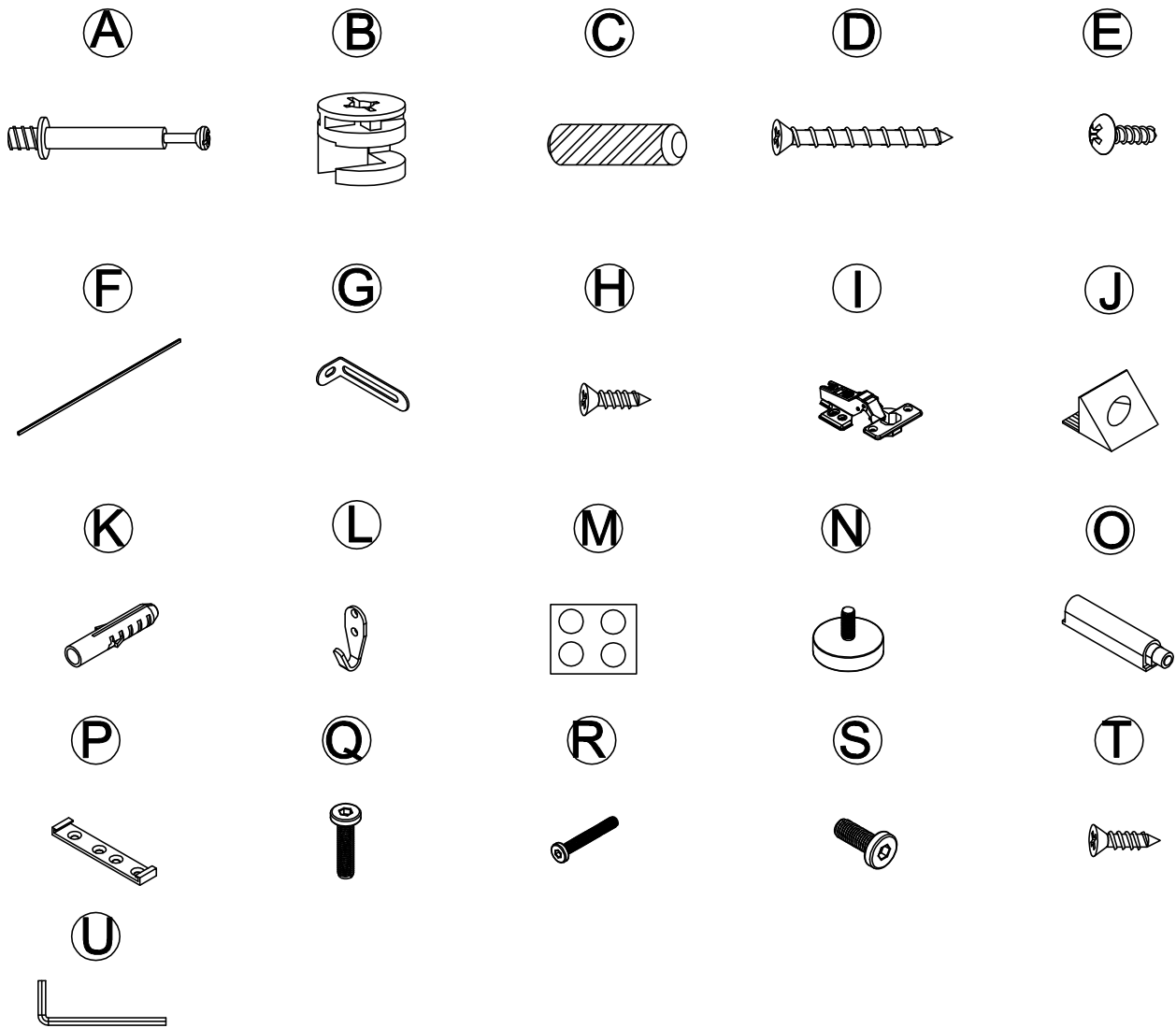

100 | **35**
 lbs table top lbs per



What' included

Code	Description	Qty
A	Cam Bolt M6X35MM	4
B	Cam Lock 15X10MM	4
C	Wooden Dowel M8X30MM	12
D	Screw M4X40MM	12
E	Screw M3.5X14MM	2
F	strip	1
G	shaped metal sheet	2
H	Screw M3.5X14MM	28
I	Hinge	4
J	The back button	8
K	Anchor	2
L	Hook	2
M	Hole position sticker	4
N	Adjustable Foot	6
O	Door Rebound Device	2
P	Door Rebound Device Holder	2
Q	Screw M6X25MM	12
R	Screw M6X35MM	8
S	Screw M6X10MM	4
T	Screw M3.0X14MM	12
U	Wrench M4X55MM	1

The Hardwares



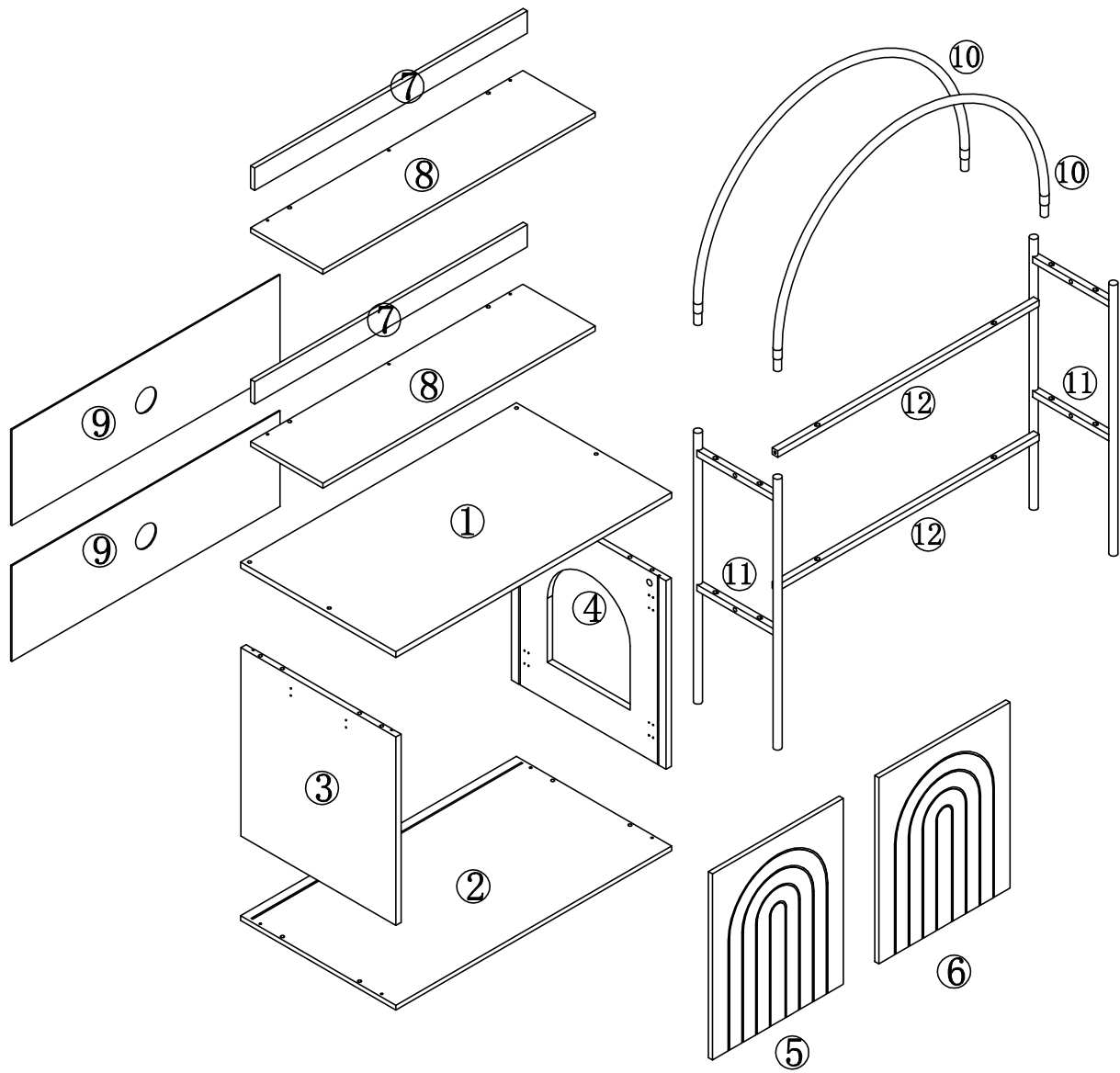
IMPORTANT:

1. Do not tighten bolts / screws completely until all bolts / screws are lined up and inserted into holes.
2. Do not over tighten screws and bolts to avoid stripping
3. Please use hand tools to assemble this product, you can also use power tools (please use power too carefully).

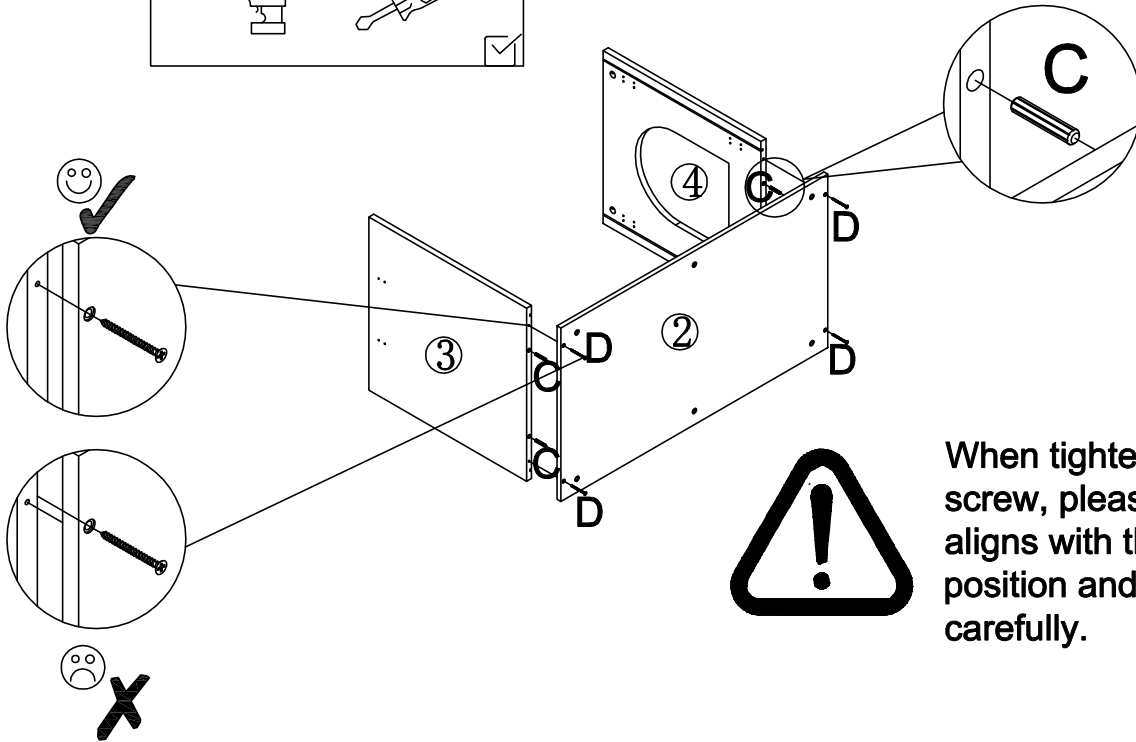
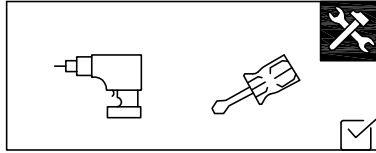
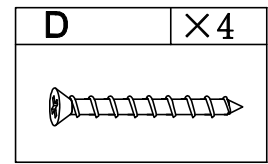
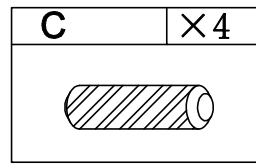
Included Accessories

Code	Description	Qty
1	Cabinet Top	1
2	Bottom Panel	1
3	Left Side Panel	1
4	Right Side Panel	1
5	The door	1
6	The door	1
7	The backboard	2
8	Layer plate	2
9	Back panel	2
10	circular tube	2
11	square tube	2
12	square tube	2

The Accessoriess



Step 1

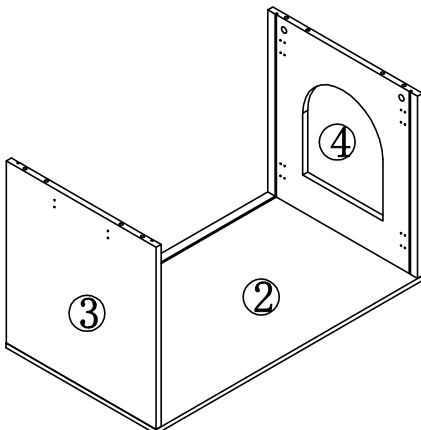


When tightening the D screw, please ensure it aligns with the hole position and lock it in carefully.

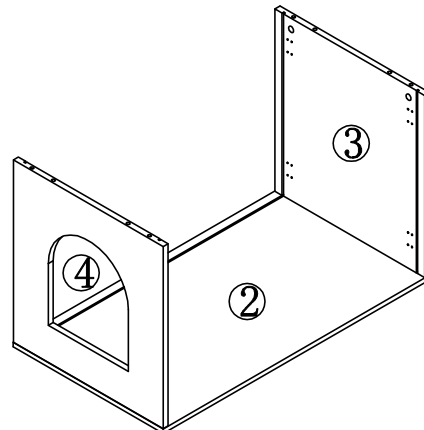


This product allows the No. 3 and No. 4 boards to be interchanged left and right depending on different usage scenarios.

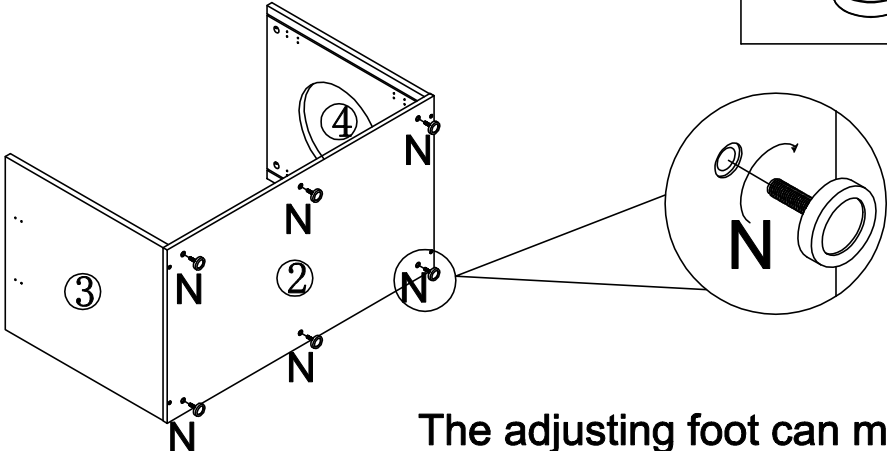
For example



For example

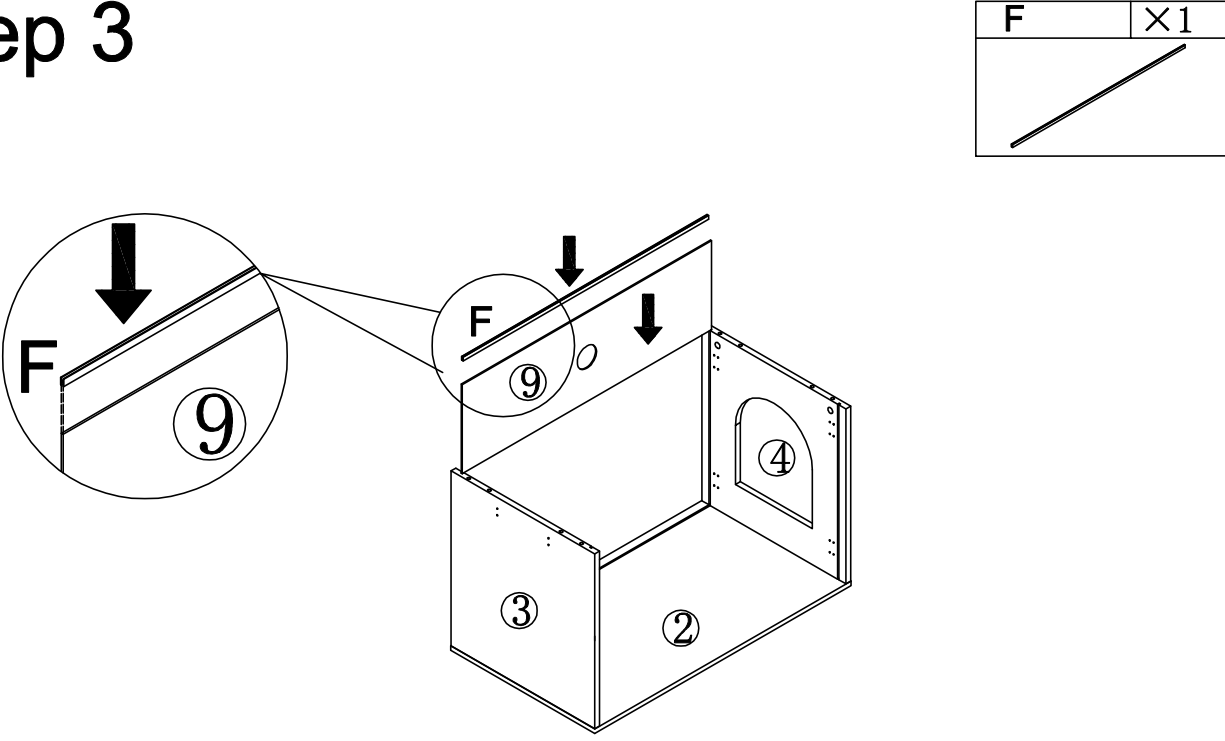


Step 2

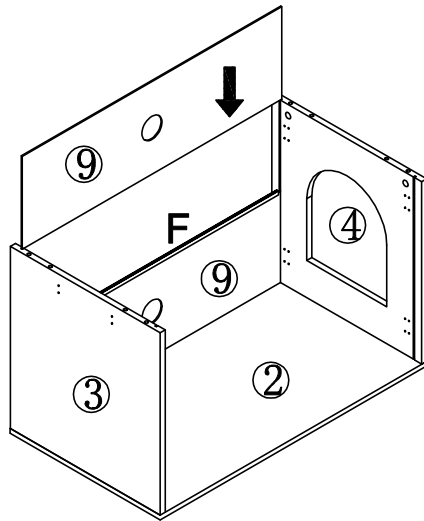


The adjusting foot can make the product flat on an uneven ground. Tighten it clockwise and loosen it counterclockwise.

Step 3

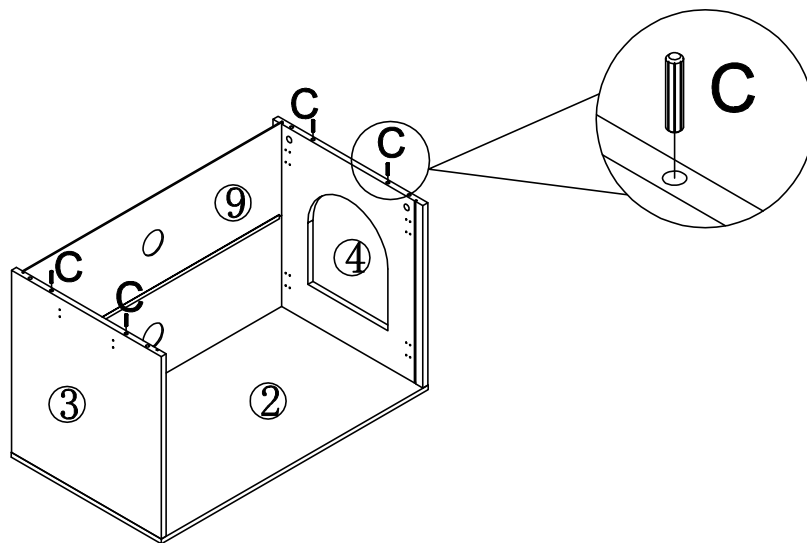
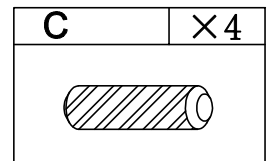


Step 4

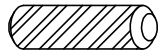


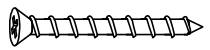
Please note that F is between two pieces of No. 9.

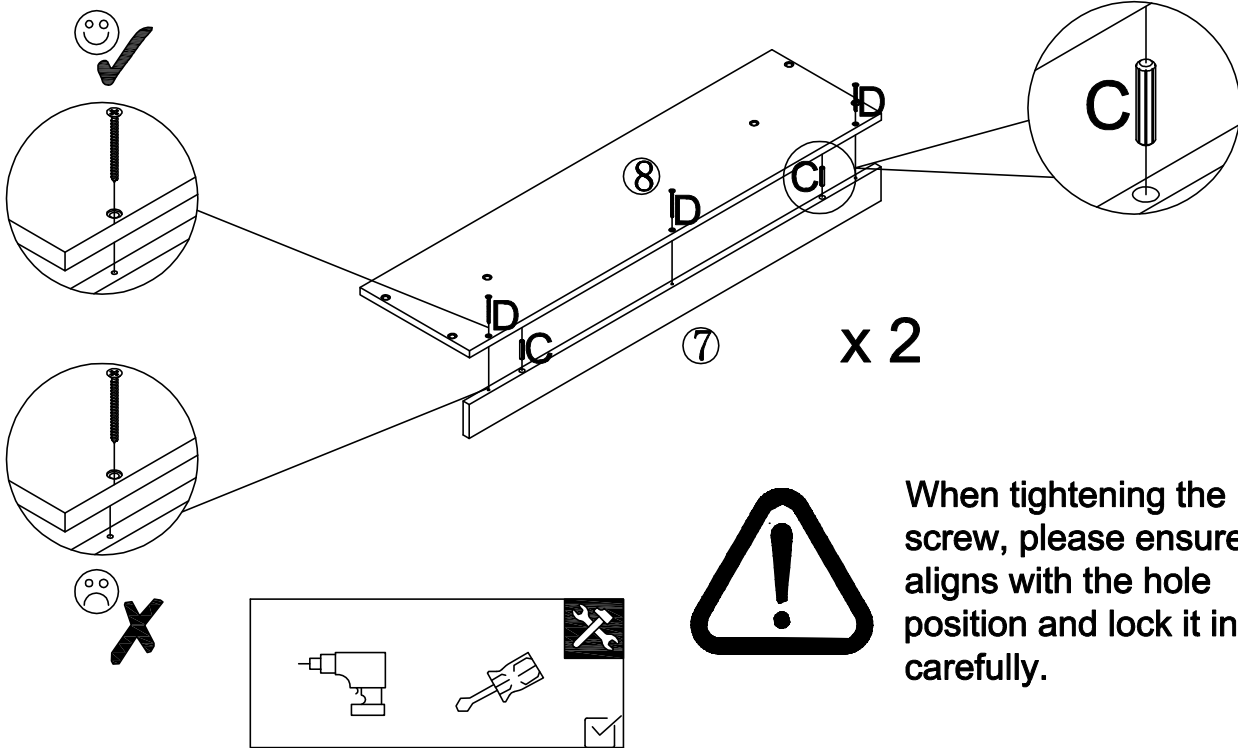
Step 5




Step 6


C	×4
	

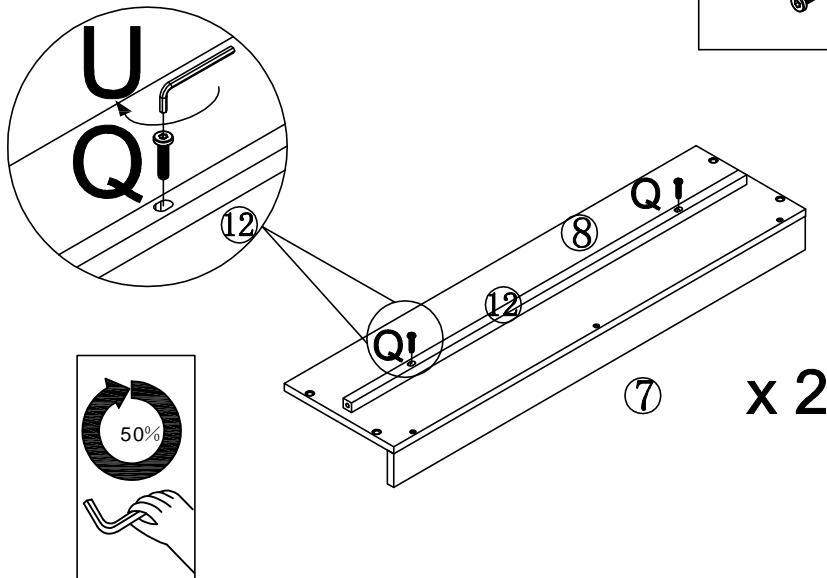
D	×6
	



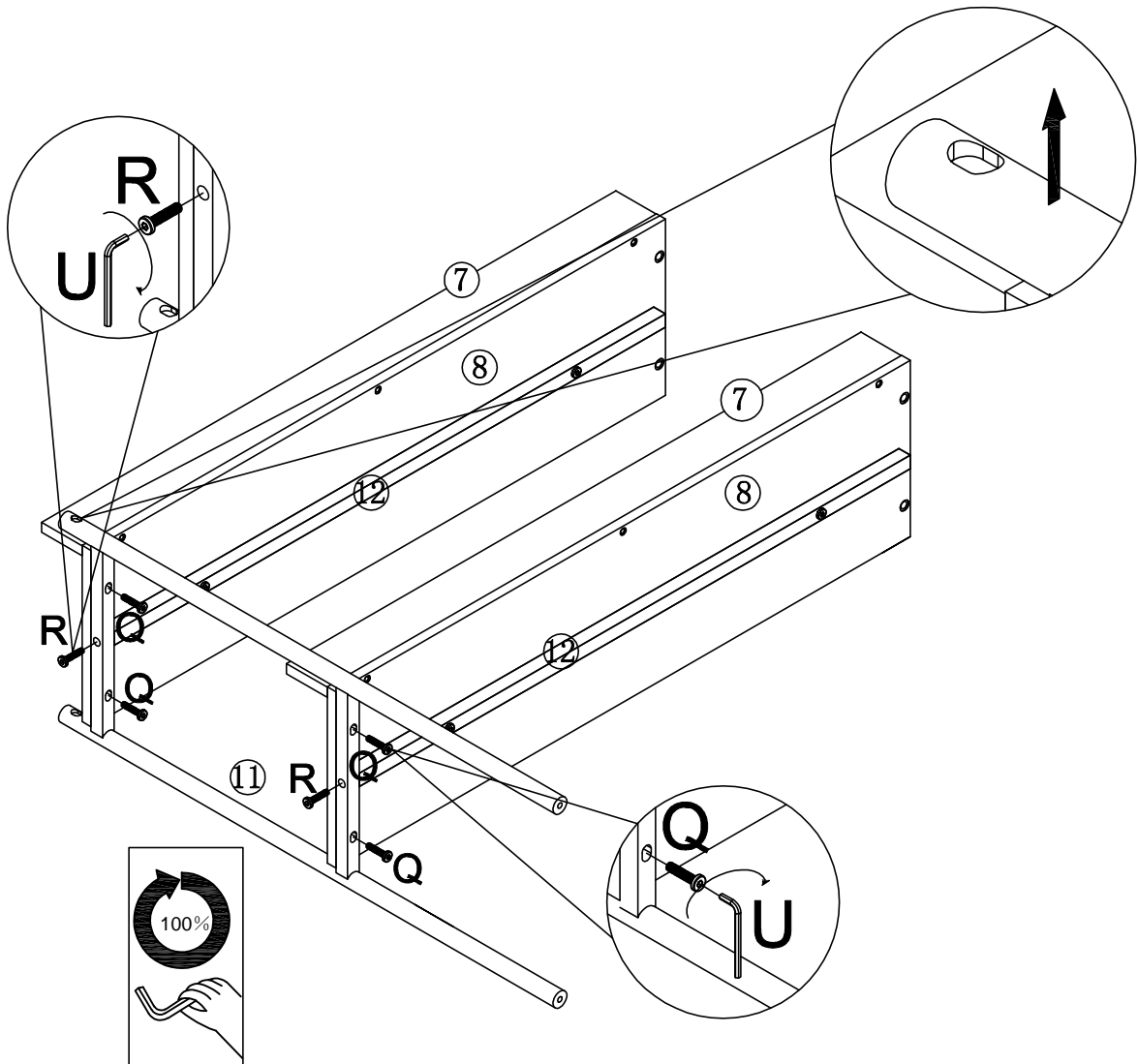
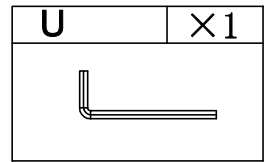
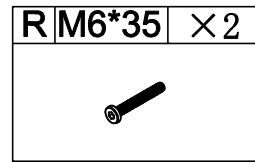
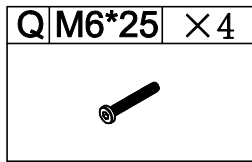
Step 7

Q M6*25	×4
	

U	×1
	



Step 8

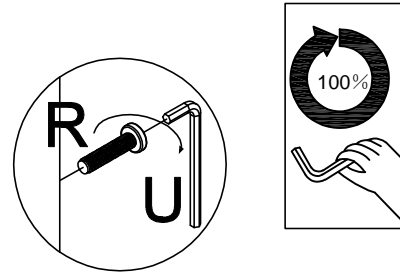
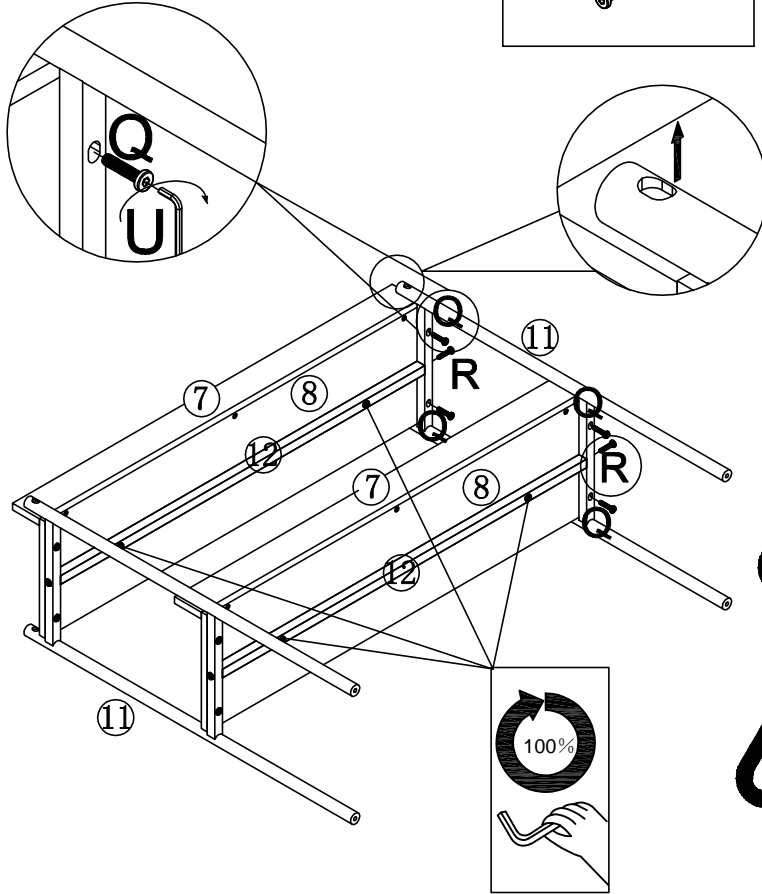
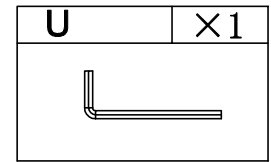
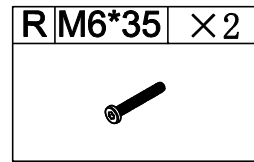
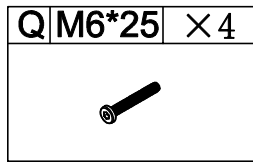


When tightening the Q and R screw, please ensure it aligns with the hole position and lock it in carefully.



When installing, please have the iron pipe holes facing upwards.

Step 9

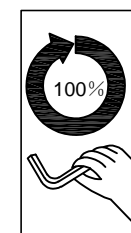
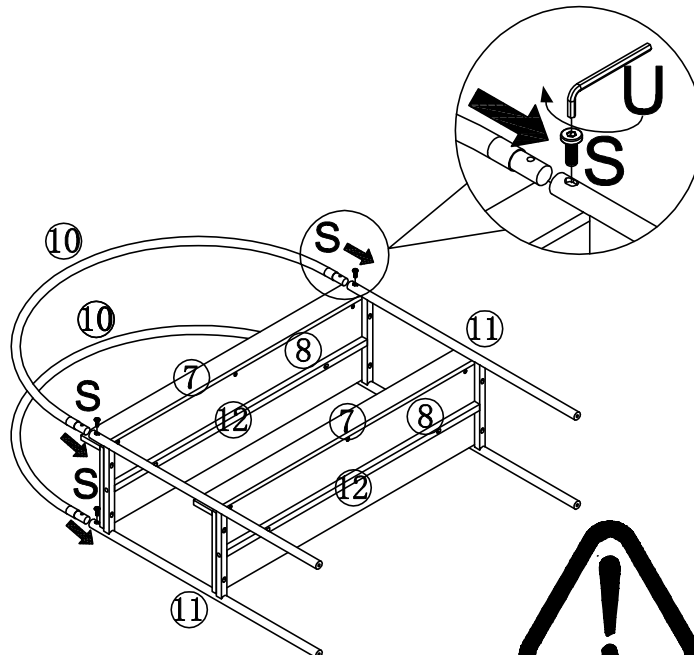
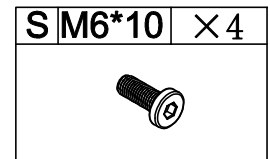


When installing, please have the iron pipe holes facing upwards.



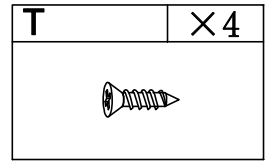
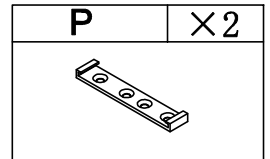
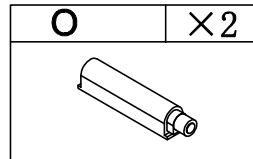
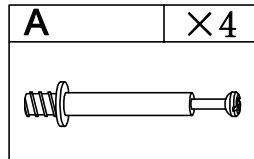
When tightening the Q and R screw, please ensure it aligns with the hole position and lock it in carefully.

Step 10

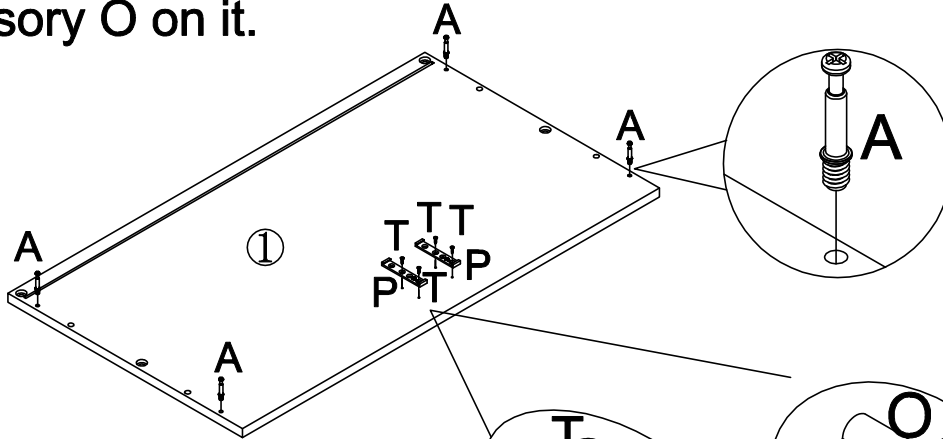


When tightening the S screw, please ensure it aligns with the hole position and lock it in carefully.

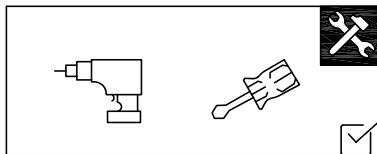
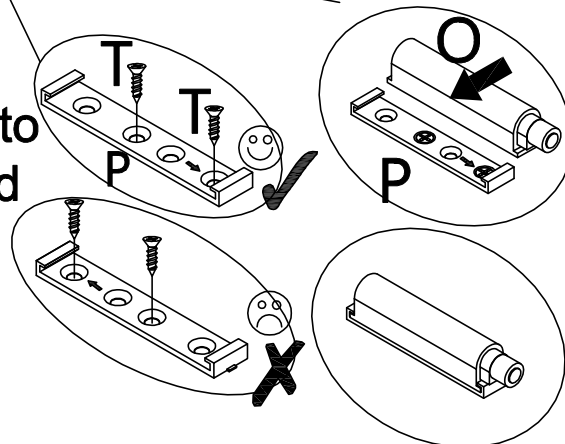
Step 11



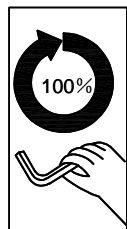
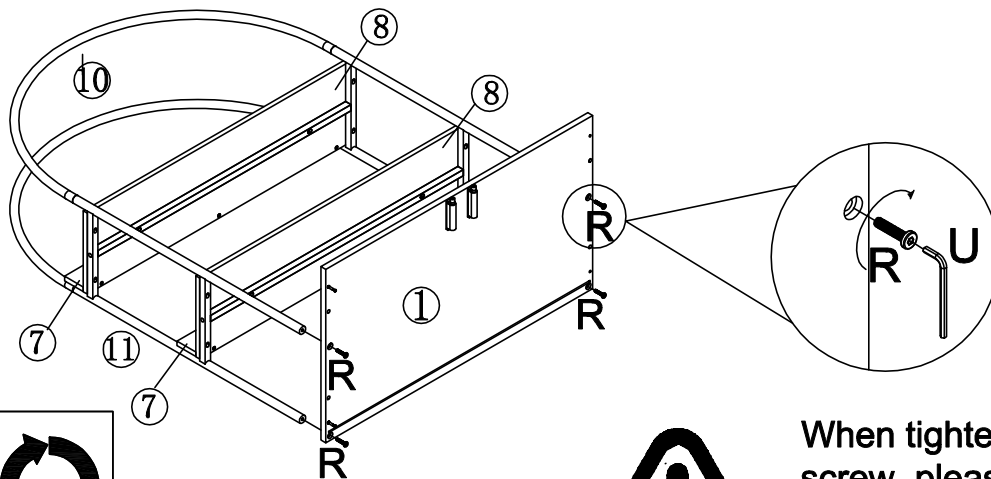
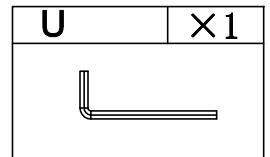
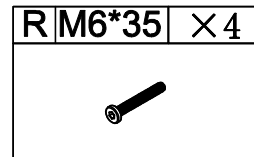
First, fix accessory P onto the board with accessory T, and then place accessory O on it.



Please pay attention to the direction indicated by the arrow.

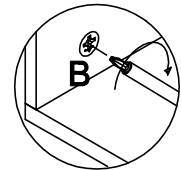
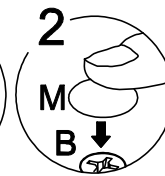
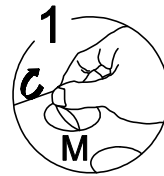
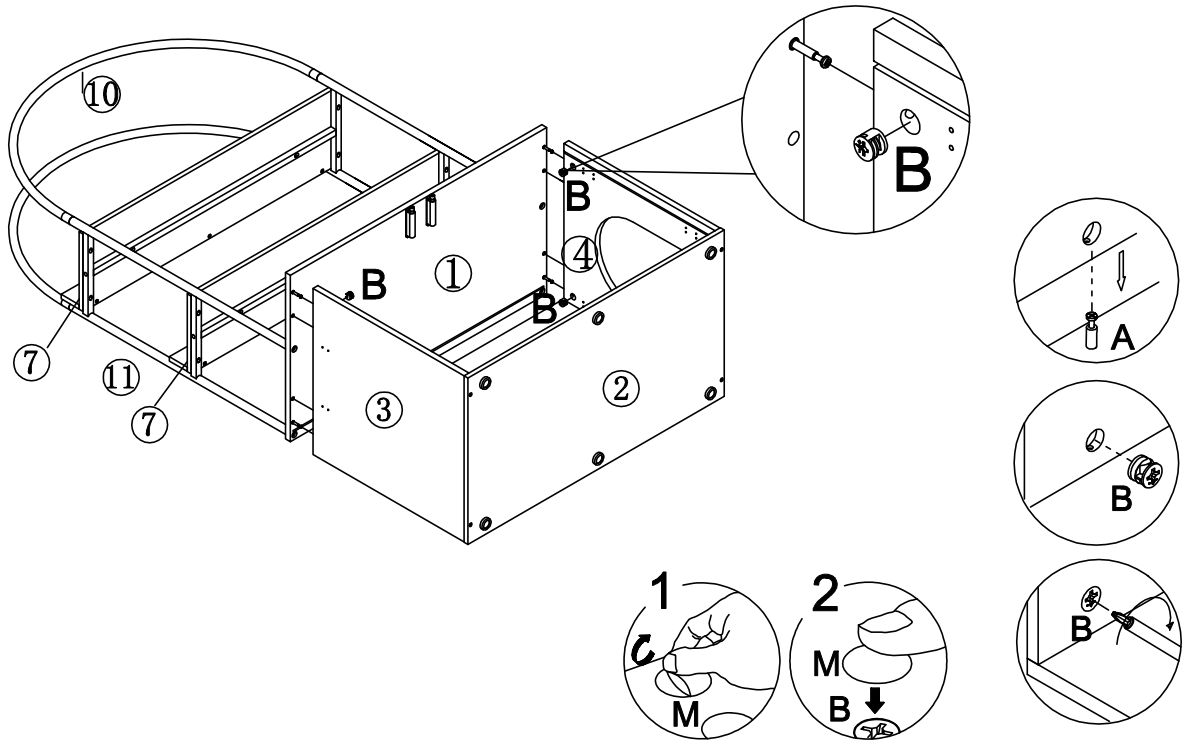
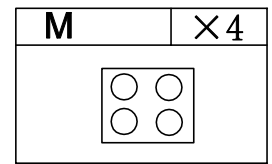
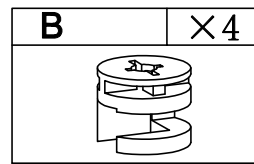


Step 12

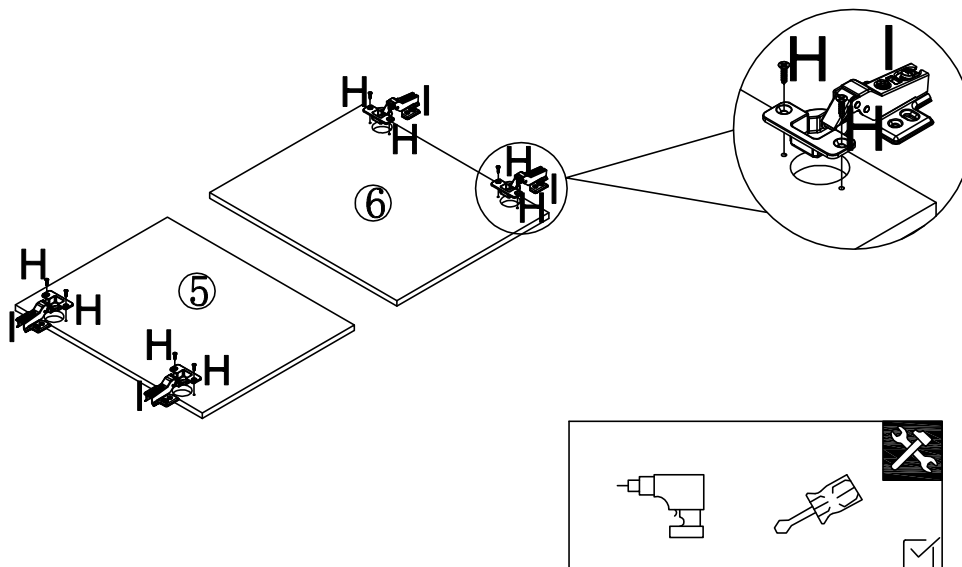
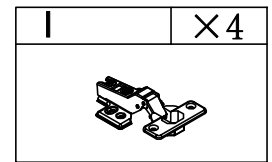
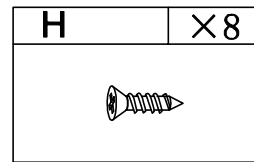


When tightening the R screw, please ensure it aligns with the hole position and lock it in carefully.


Step 13

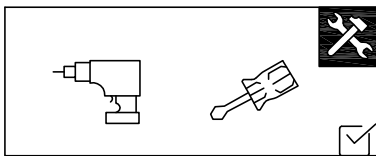
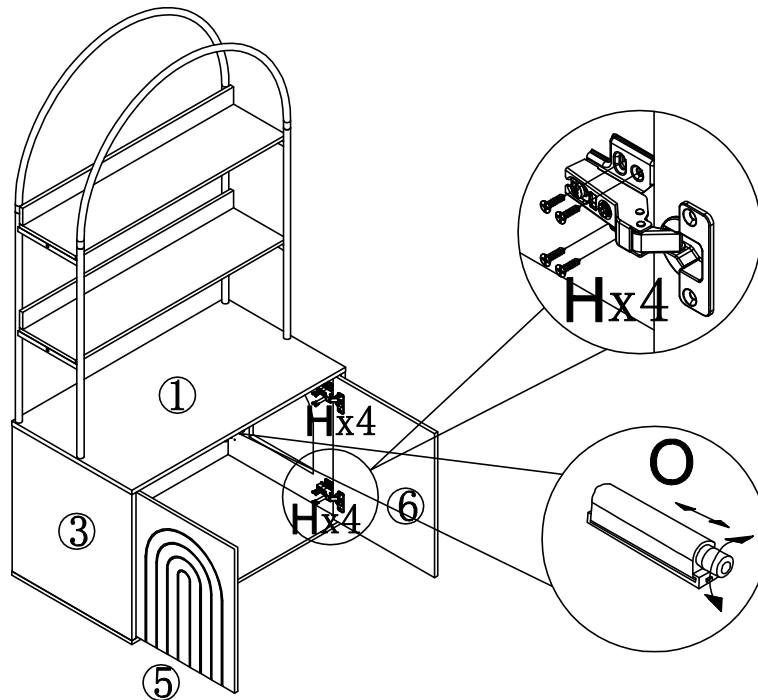


Step 14



Step 15

H	×16
	



Note If the drawer does not pop out, please adjust the rebound device as shown in the figure.

How do I get the two doors to align flat by adjusting the hinges?



01 Adjust the screws shown in Figure 1 to adjust the doors up and down.



02 Adjust the screws shown in Fig. 2 and pull the door back and forth so that it can be opened smoothly.





03 Adjust the screws shown in Figure 3 to adjust the door left and right to the right position.

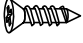


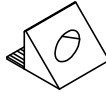
04 After the adjustment is complete, install the remaining two screws to secure the door in place.

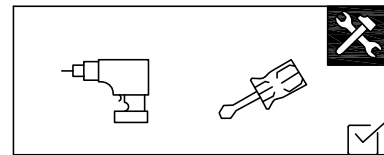
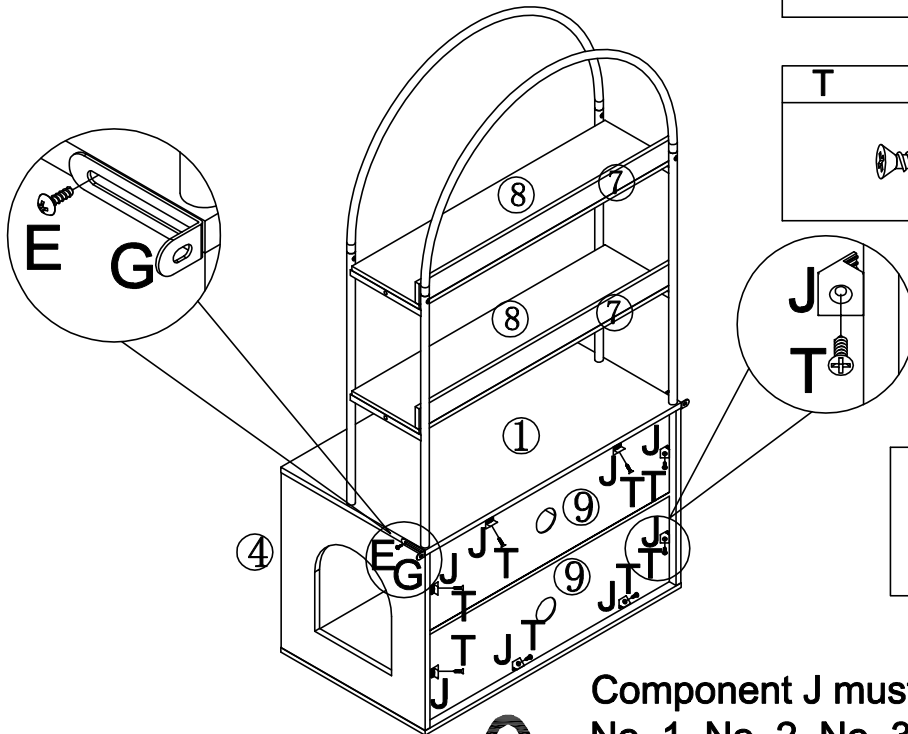
Step 16

E	×2
	

G	×2
	


T	×8
	


J	×8
	

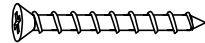



Component J must be locked between No. 9, No. 1, No. 2, No. 3 and No. 4 boards as per the drawing to enhance the stability of the overall structure.

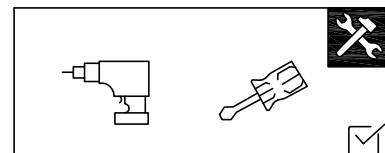
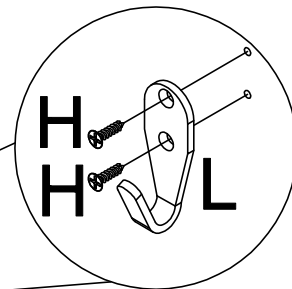
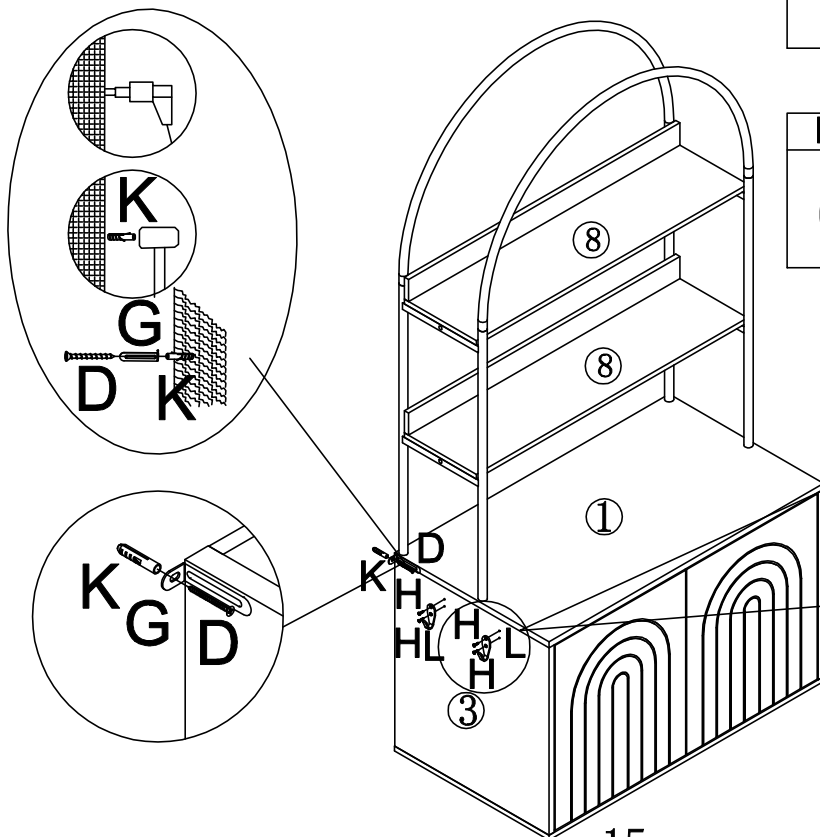
Step 17

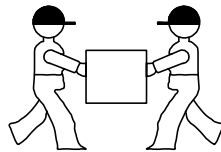
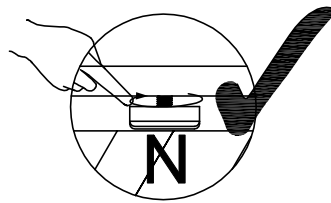
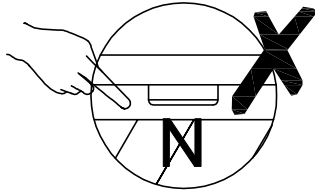
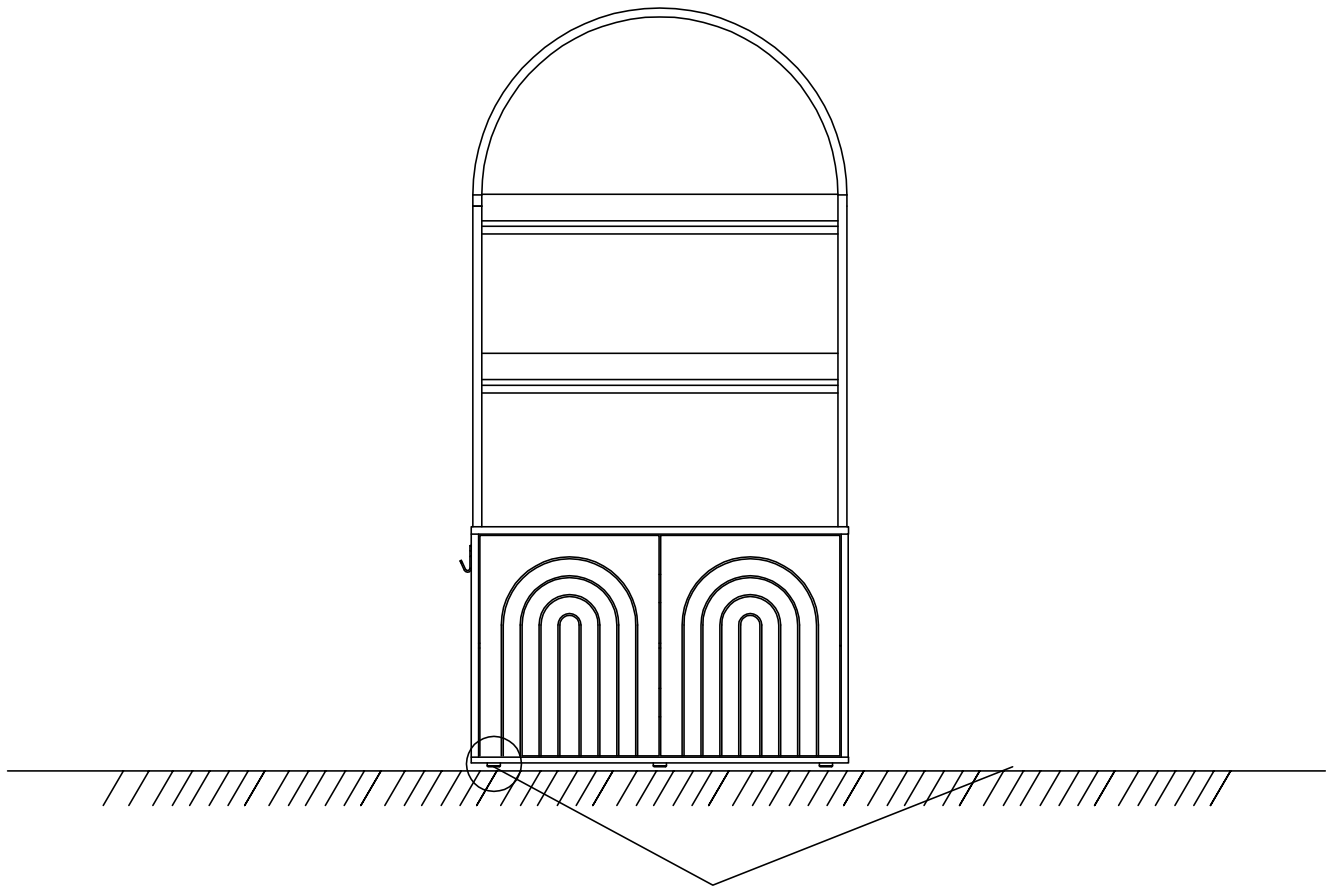
H	×4
	

L	×2
	

D	×2
	

K	×2
	





Two people work together to move the cabinet.
Make sure you lift it off the ground.
Don't push and pull.