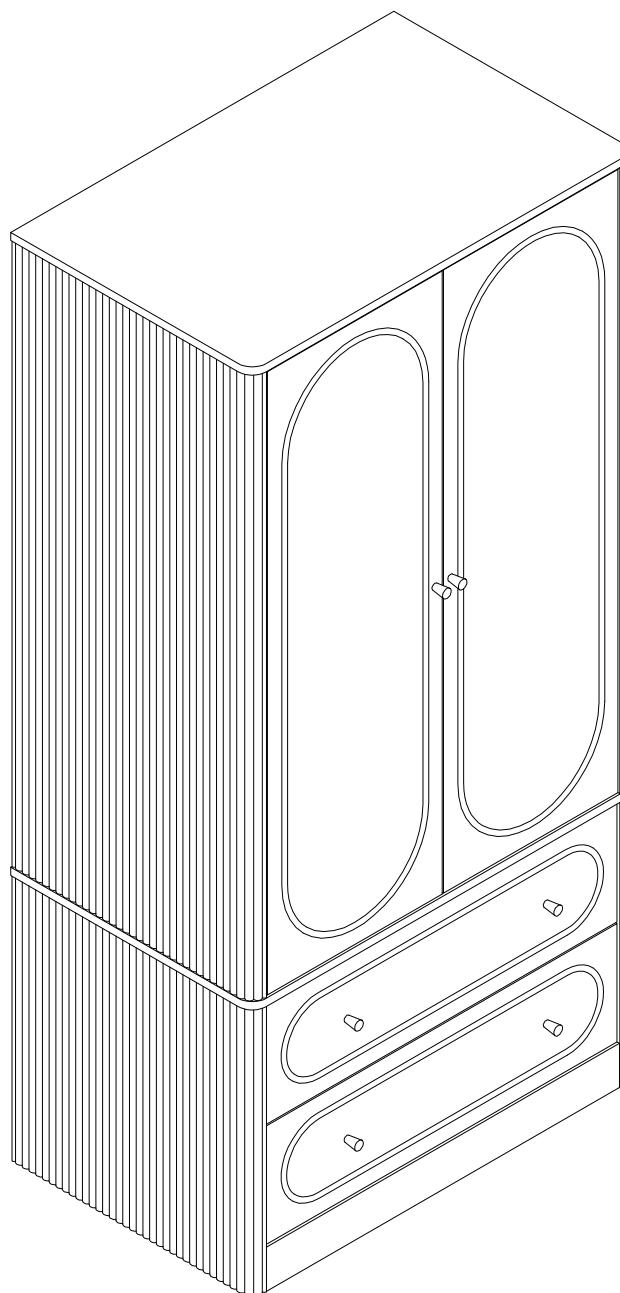


Assembly Instructions

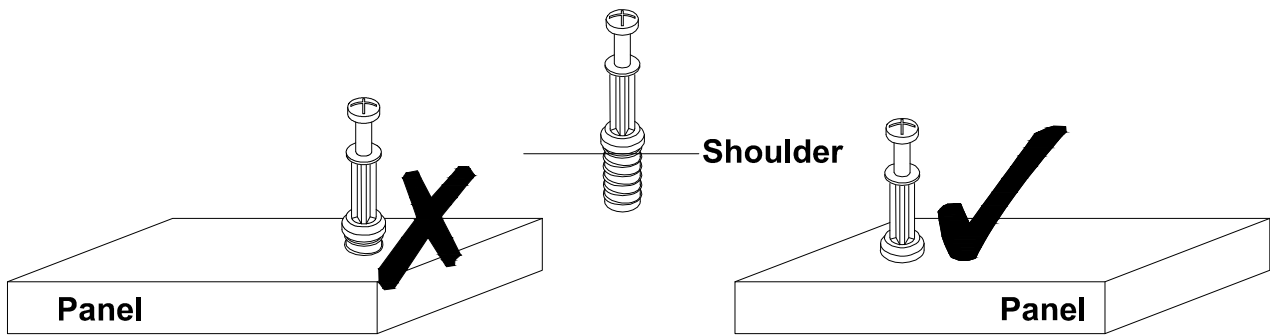


Before Assembly

Tips Before Your Start:

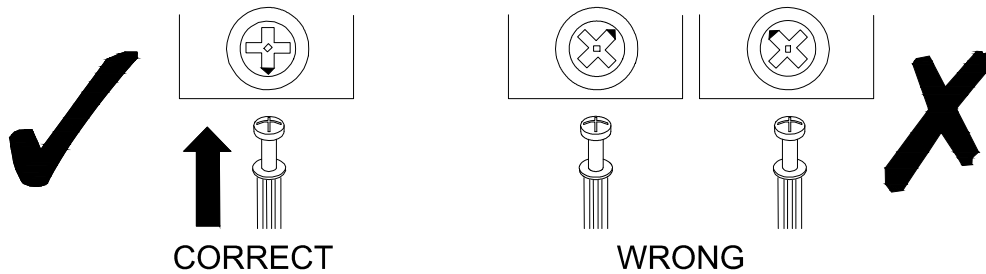
- Remove all wrapping material, including staples & packing straps before you start to assemble.
- DO NOT tighten all screws and bolts until the assembly is completely assembled.
- Keep all hardware parts out of reach of children.

QUICKFIT



Tighten quickfit until shoulder is flush with panel. Do not overtighten or undertighten.

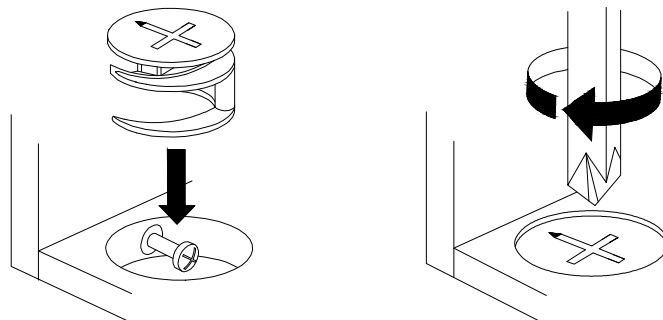
CAM LOCK



When fitting a cam lock, ensure the starting position is correct before inserting the connecting QUI CKFIT

Quickfit head should be in the centre of the cam lock when the two panels are joined.

Cam lock should be inserted before quickfit.

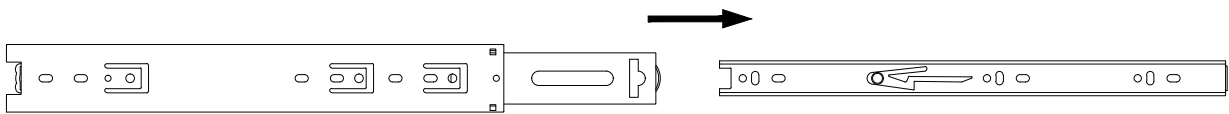
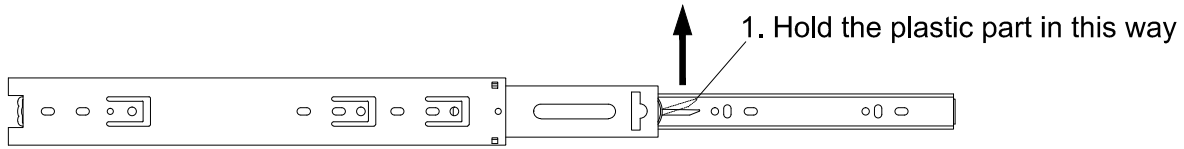


Turn cam lock clockwise to tighten.

Before Assembly

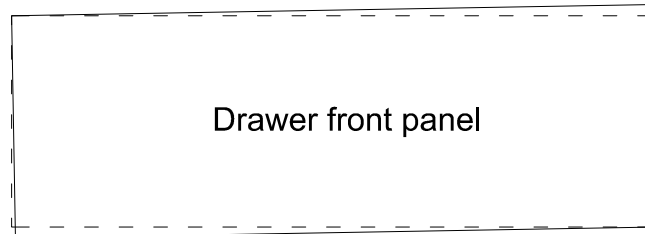
Tips Before Your Start

How to separate the drawer slider:

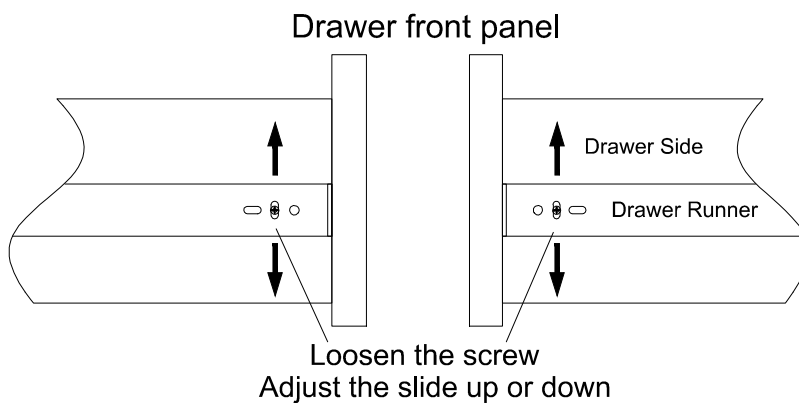


2. Pull out the inner slider for drawer box fixing

Drawer Front Alignment




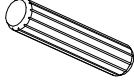
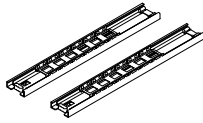
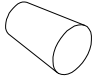

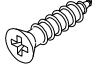
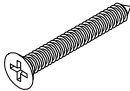
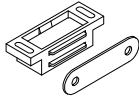
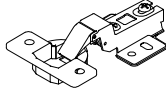



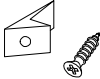
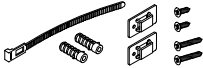


If the drawer front panel is NOT level after being assembled, then...

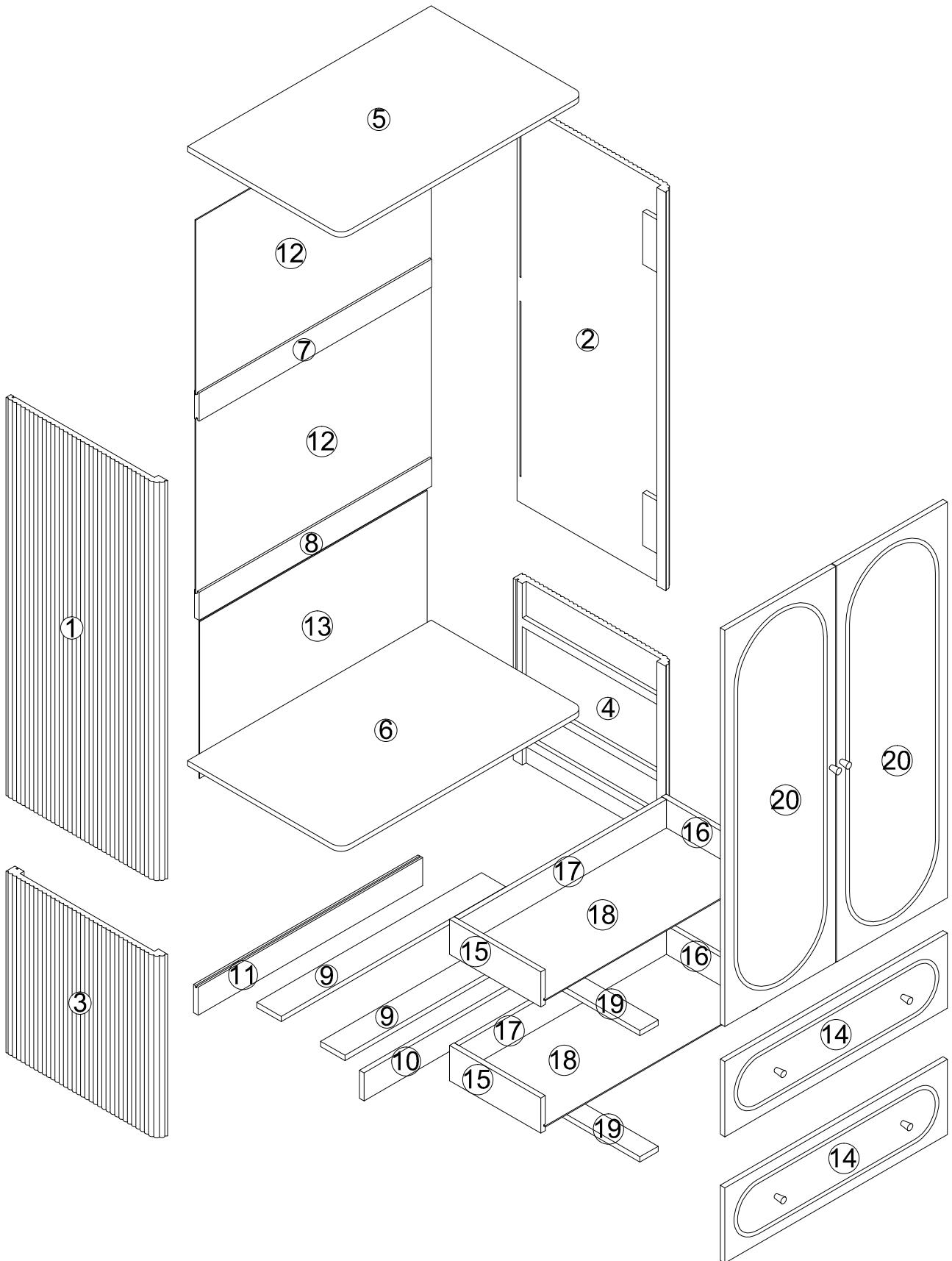


Loosen the screws on the left and right hand side, then adjust the drawer slide up or down, until the drawer fronts are even/level, then tighten the screws.

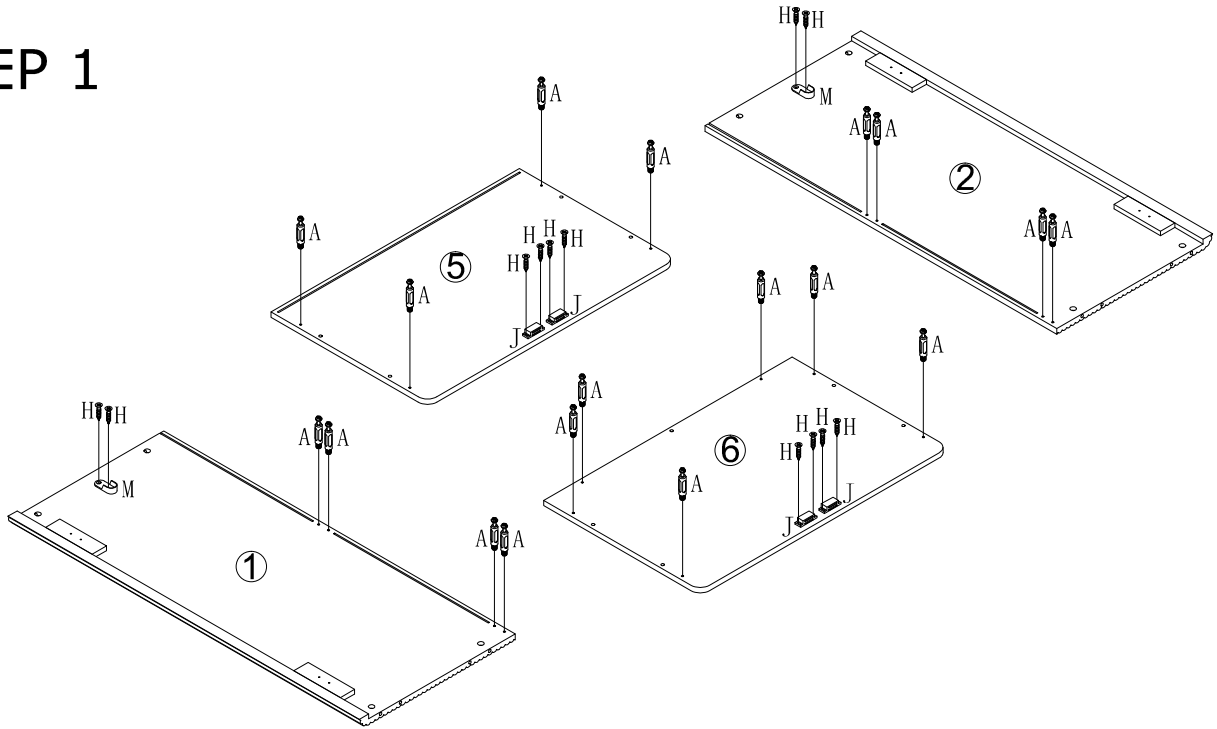
Part List

<p>No. A Quantity: 58 Pcs Cam Lock Dowel 8*28mm</p> 	<p>No. B Quantity: 58 Pcs Cam φ15</p> 	<p>No. C Quantity: 58 Pcs Sticker Ø20</p> 	<p>No. D Quantity: 15 Pcs Dowel 8*30mm</p> 
<p>No. E Quantity: 2 Sets Drawer Slider 10"</p> 	<p>No. F Quantity: 6 Pcs Handle Ø20*23mm</p> 	<p>No. G Quantity: 6 Pcs Screw M4*20mm</p> 	<p>No. H Quantity: 60 Pcs Screw M3.5*14mm</p> 
<p>No. I Quantity: 8 Pcs Screw M4*30mm</p> 	<p>No. J Quantity: 4 Pcs Magnetic Door Catcher</p> 	<p>No. K Quantity: 4 Pcs Hinge</p> 	<p>No. L Quantity: 6 Pcs Foot Pad Ø15</p> 
<p>No. M Quantity: 2 Pcs Pothook</p> 	<p>No. N Quantity: 1 Pcs Supporting Rod 758*28*15mm</p> 	<p>No. O Quantity: 12 Pcs Plastic Wedge</p> 	<p>No. P Quantity: 2 Sets Anti-falling Parts</p> 

Product structure



STEP 1



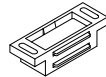
No. A
Quantity: 18 Pcs
8*28 mm



No. H
Quantity: 12 Pcs
M3.5*14mm



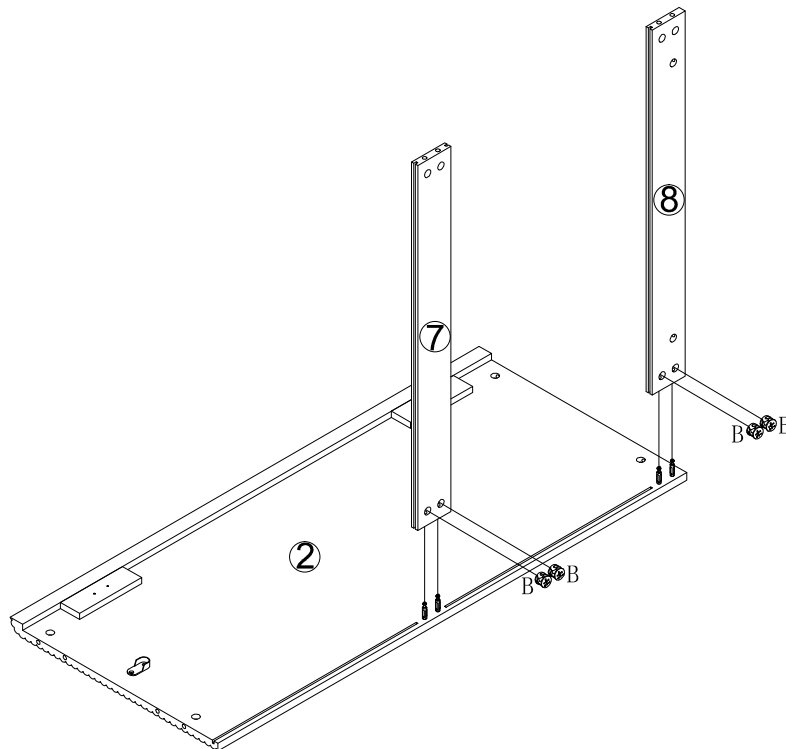
No. J
Quantity: 4 Pcs



No. M
Quantity: 2 Pcs



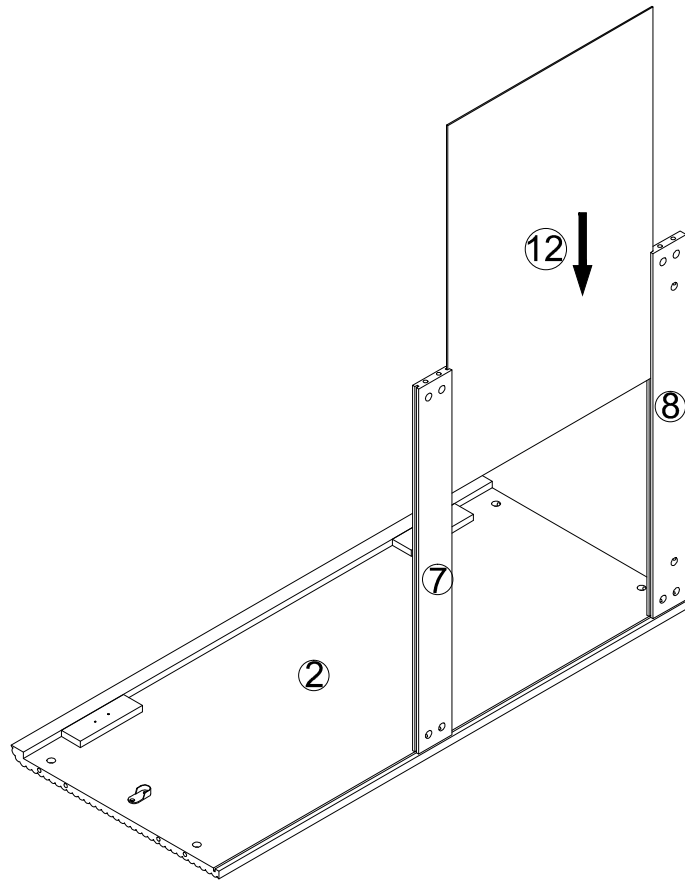
STEP 2



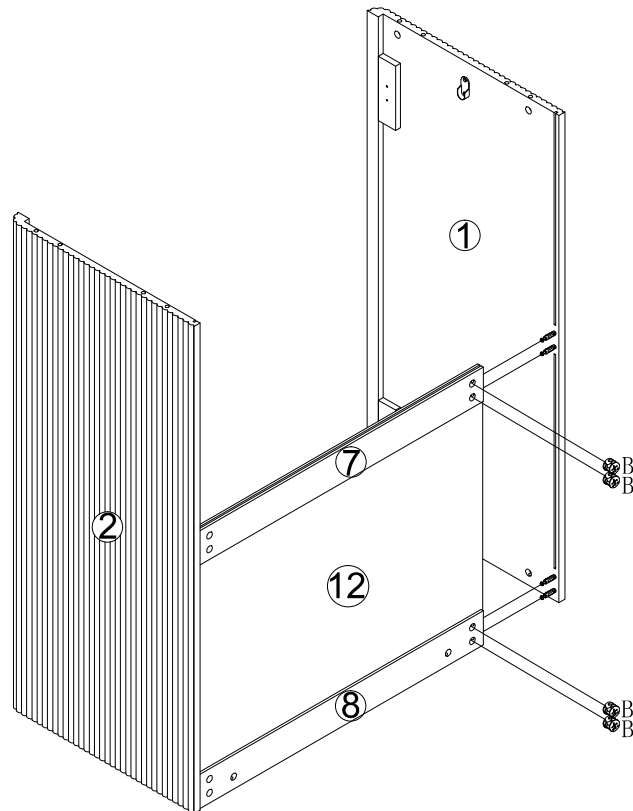
No. B
Quantity: 4 Pcs
Ø15



STEP 3



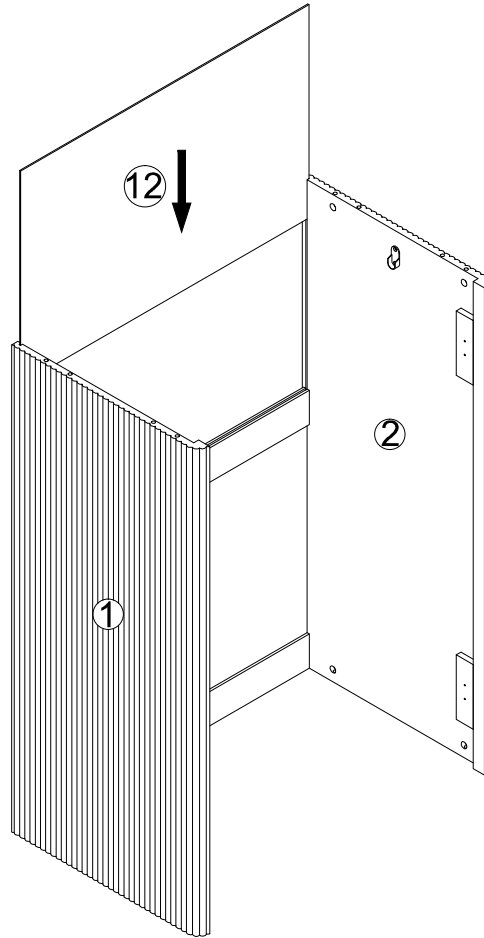
STEP 4



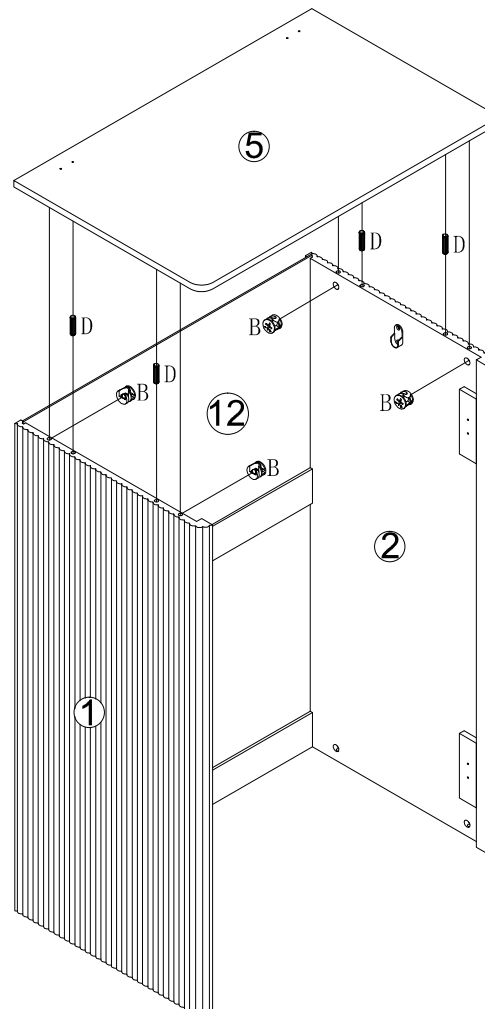
No. B
Quantity: 4 Pcs
Ø15



STEP 5



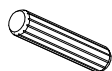
STEP 6



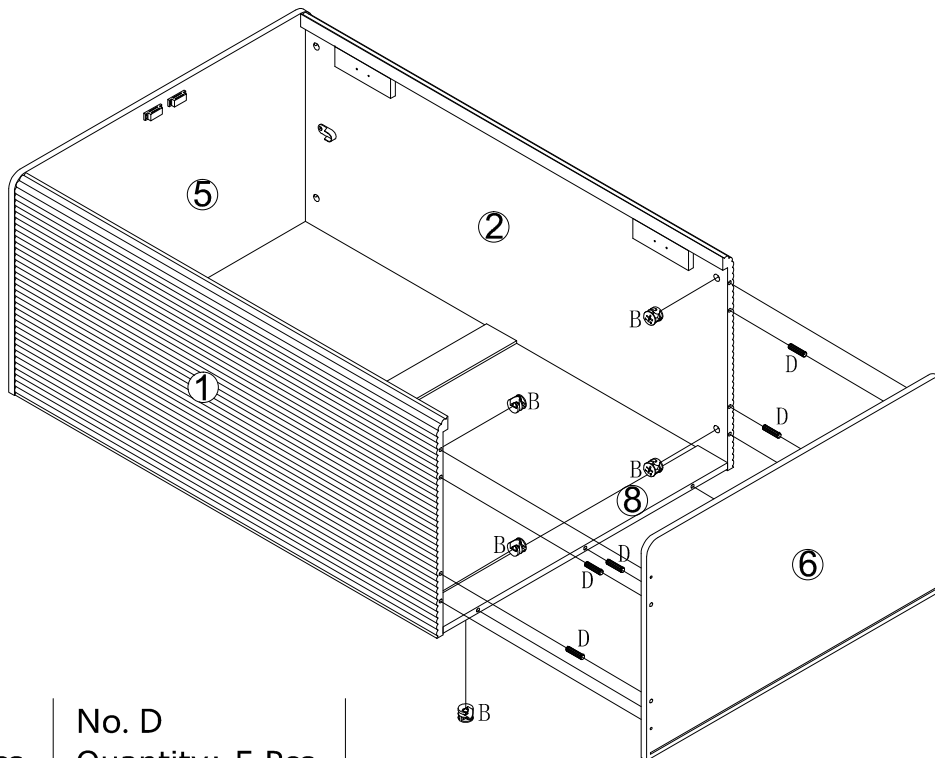
No. B
Quantity: 4 Pcs
Ø15



No. D
Quantity: 4 Pcs
8*30mm



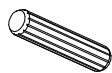
STEP 7



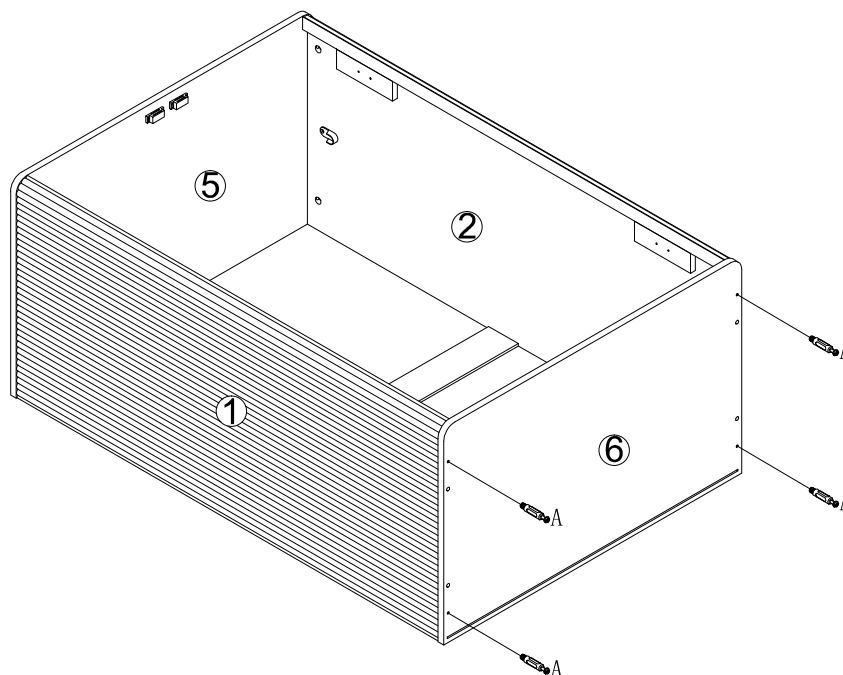
No. B
Quantity: 6 Pcs
Ø15



No. D
Quantity: 5 Pcs
8*30mm



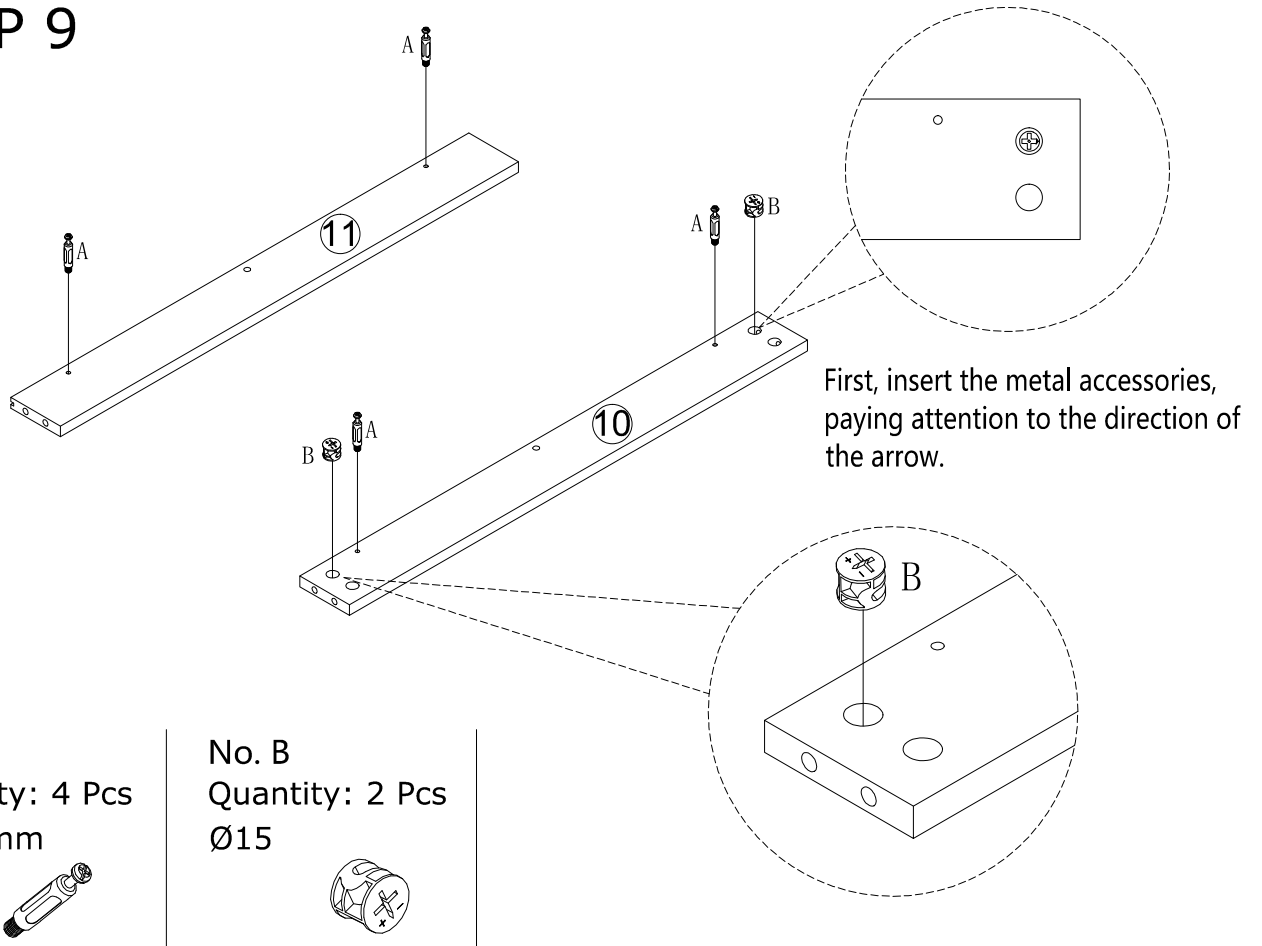
STEP 8



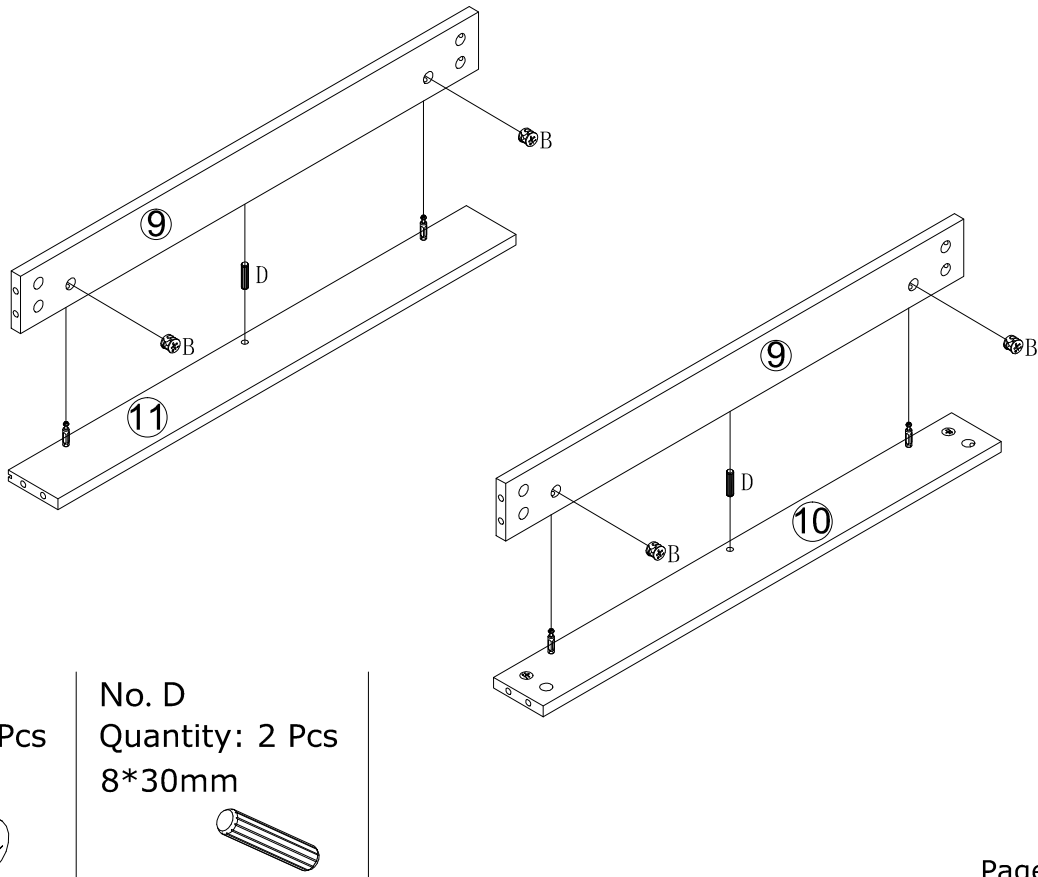
No. A
Quantity: 4 Pcs
8*28 mm



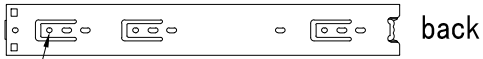
STEP 9



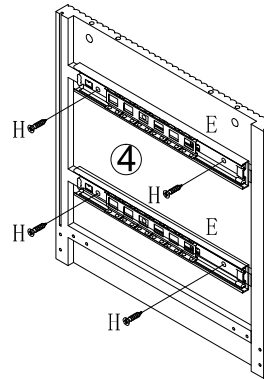
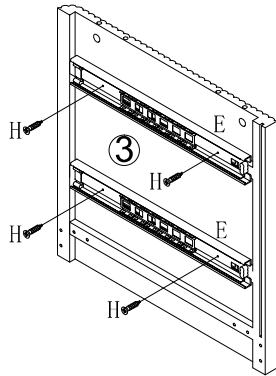
STEP 10



STEP 11



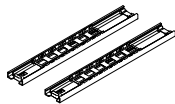
The first screw hole should correspond with the board location hole



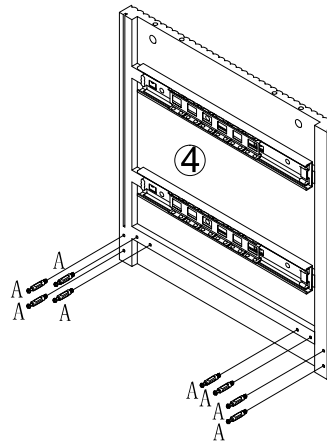
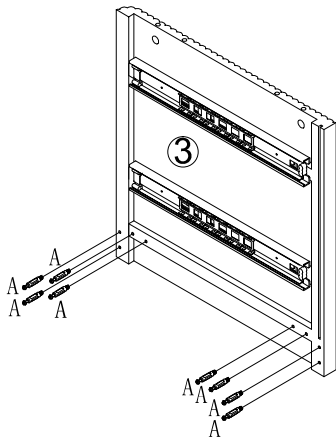
No. H
Quantity: 8 Pcs
M3.5*14mm



No. E
Quantity: 2 Sets
10"



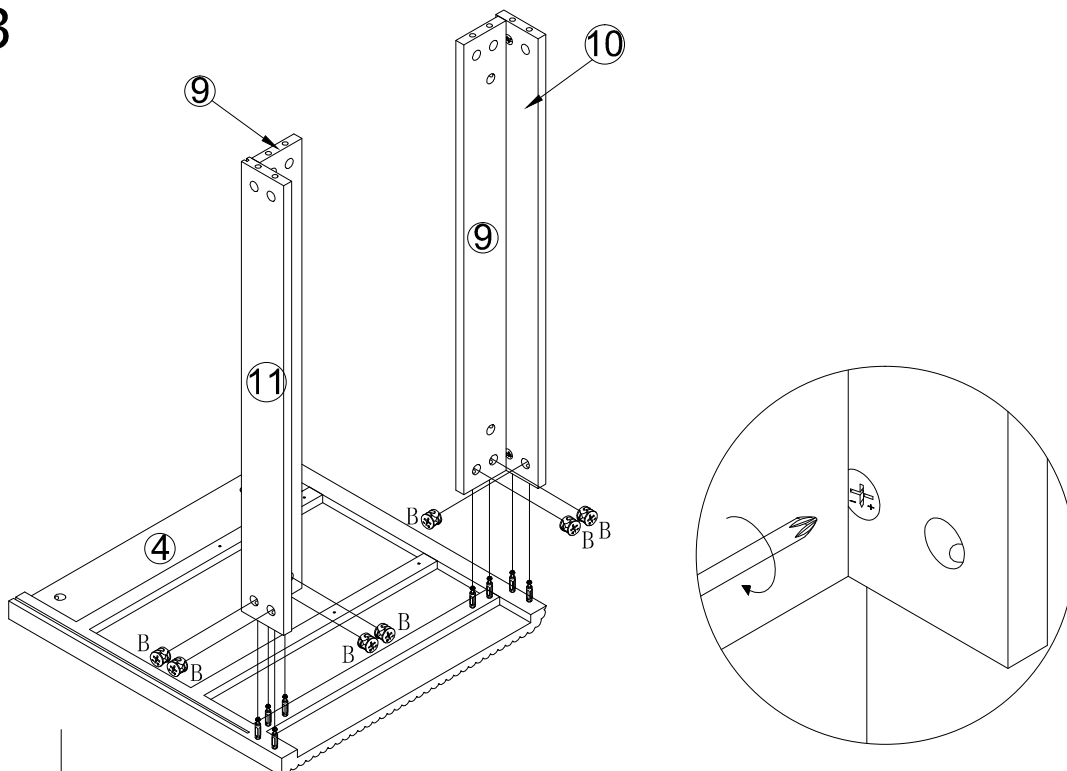
STEP 12



No. A
Quantity: 16 Pcs
8*28 mm



STEP 13

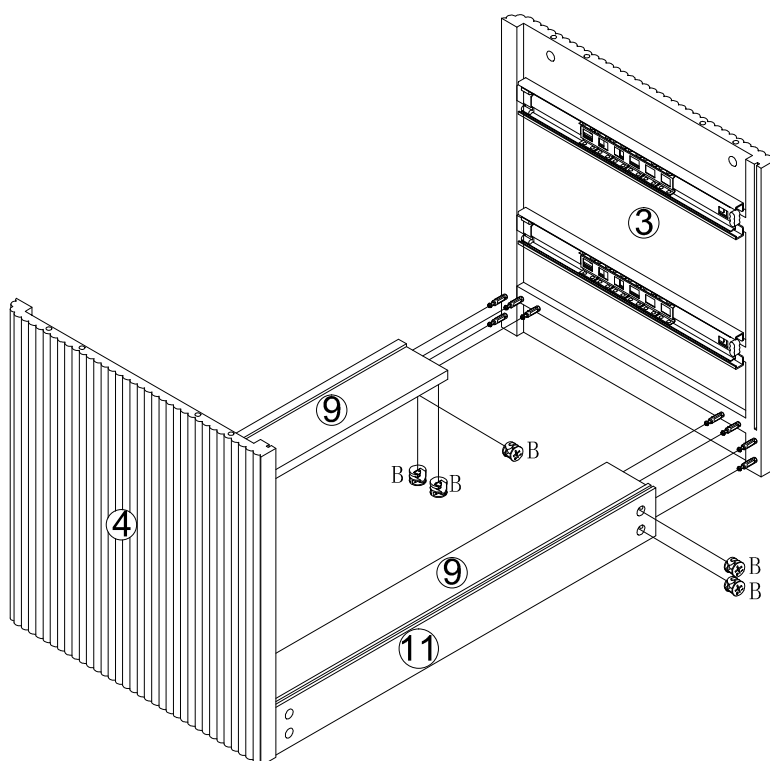


No. B
Quantity: 7 Pcs
Ø15



Note: The hardware parts here have been pre-installed in the board and can be directly locked. If they cannot be placed during connection, you can the hardware direction of the part labeled "B".

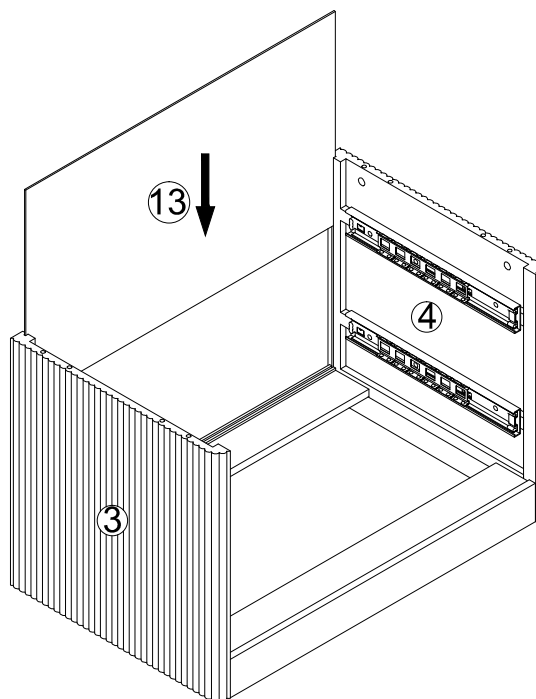
STEP 14



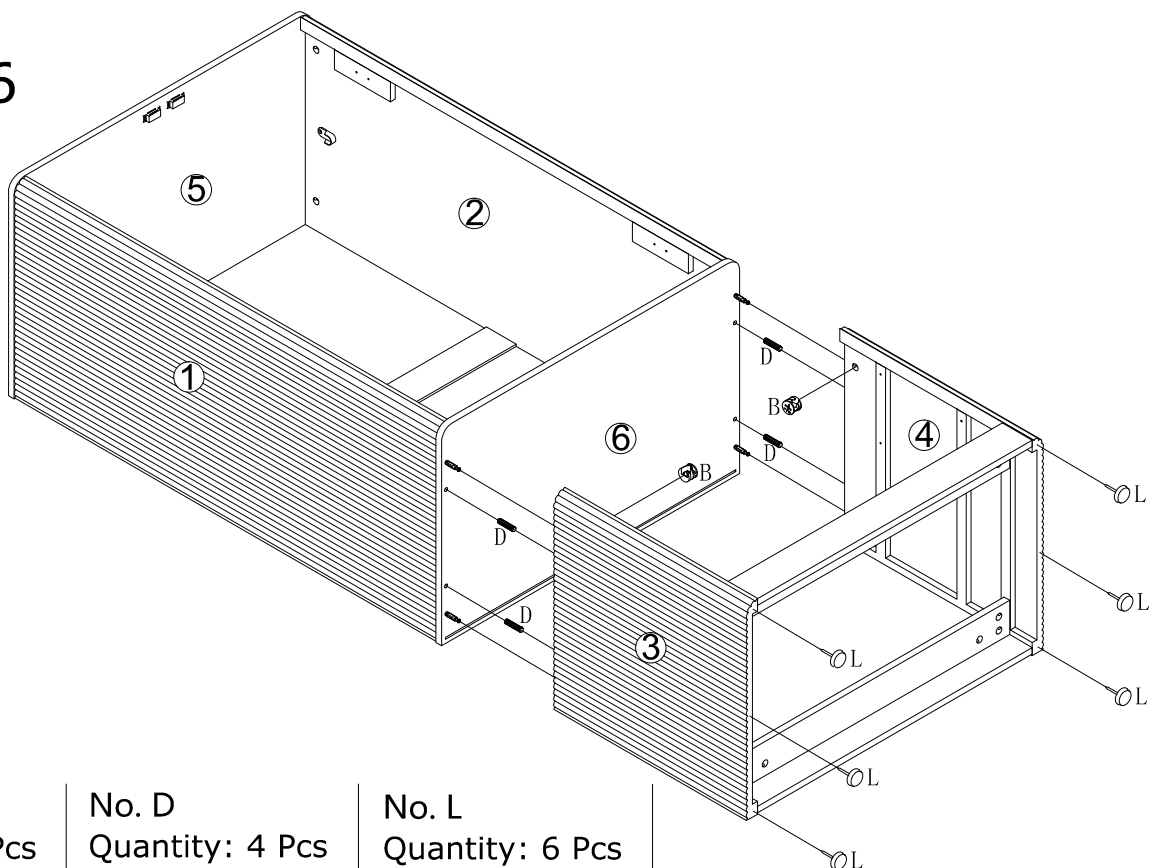
No. B
Quantity: 7 Pcs
Ø15



STEP 15



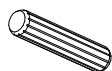
STEP 16



No. B
Quantity: 4 Pcs
Ø15



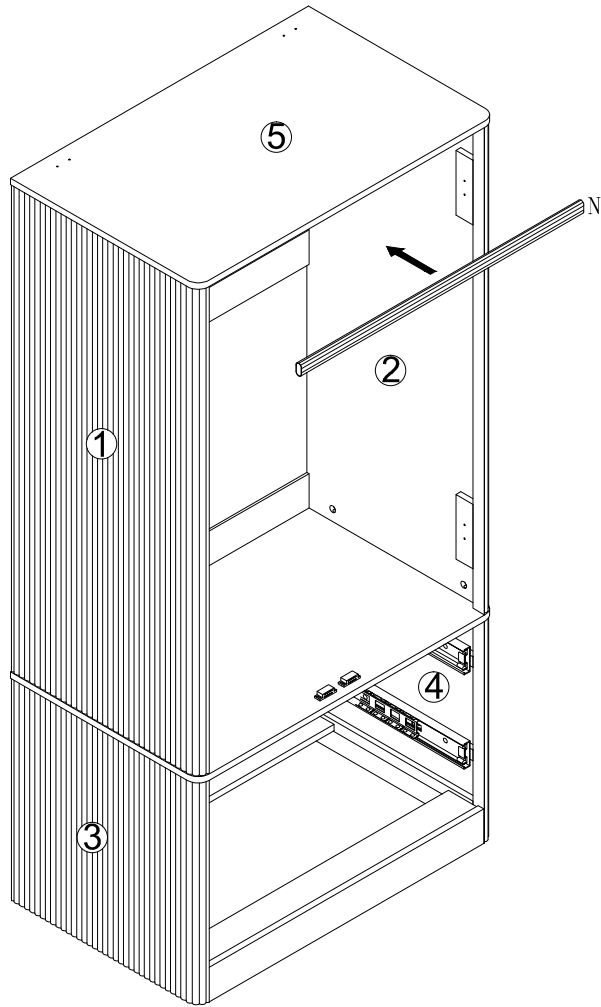
No. D
Quantity: 4 Pcs
8*30mm



No. L
Quantity: 6 Pcs
Ø15



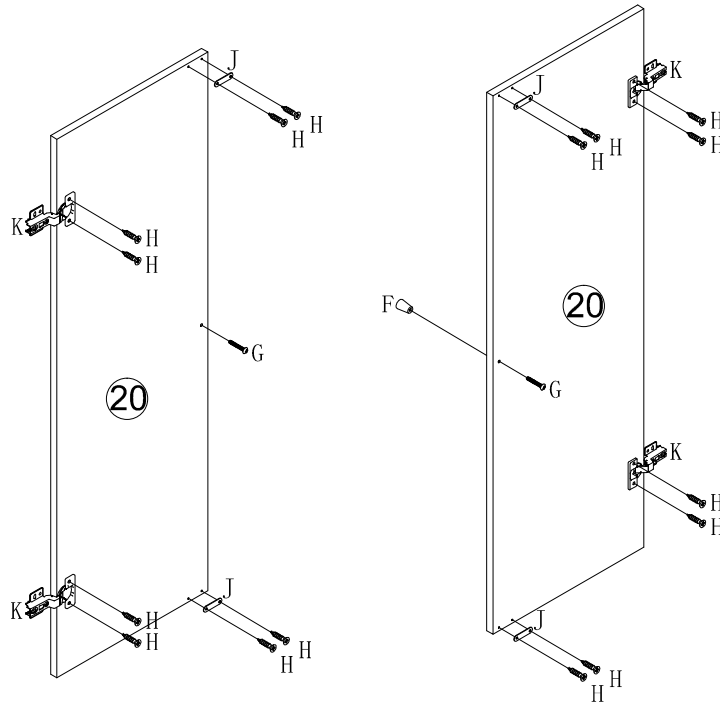
STEP 17



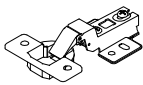
No. N
Quantity: 1 Pcs
758*28*15mm



STEP 18



No. K
Quantity: 4 Pcs



No. F
Quantity: 2 Pcs
Ø20*23mm



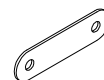
No. G
Quantity: 2 Pcs
M4*20mm



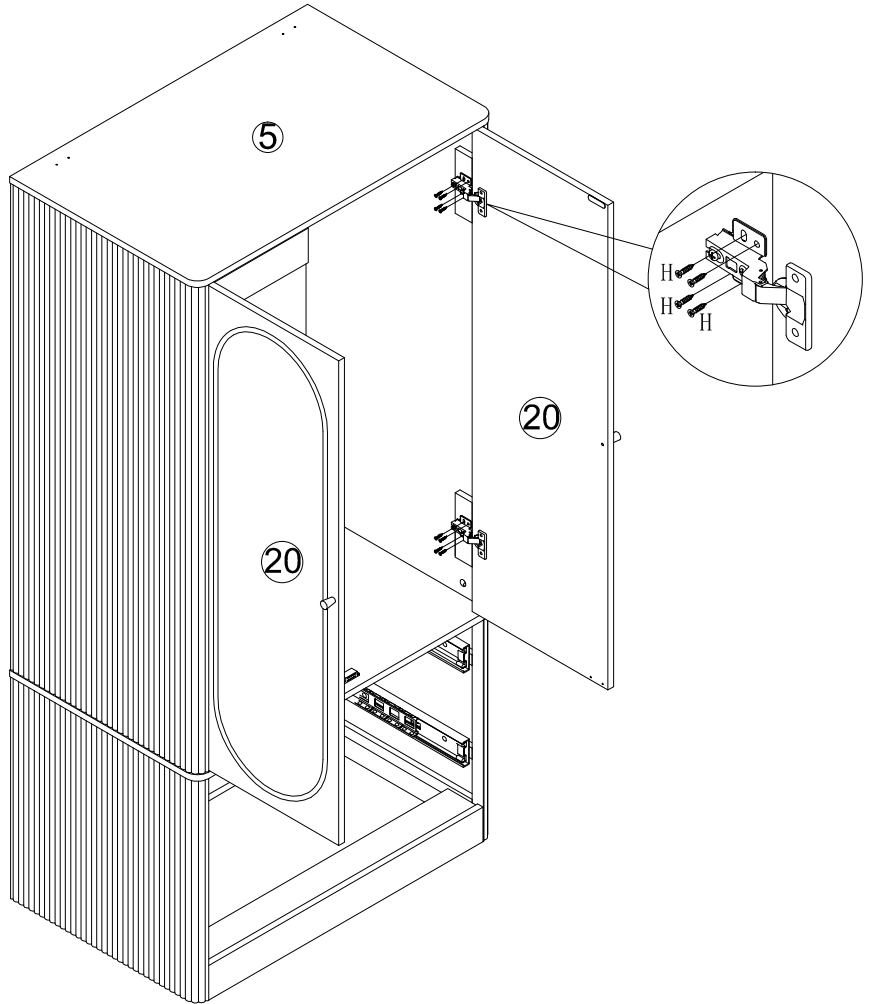
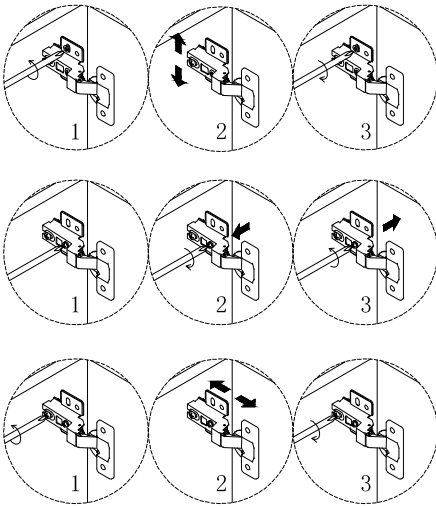
No. H
Quantity: 16 Pcs
M3.5*14mm



No. J
Quantity: 4 Pcs



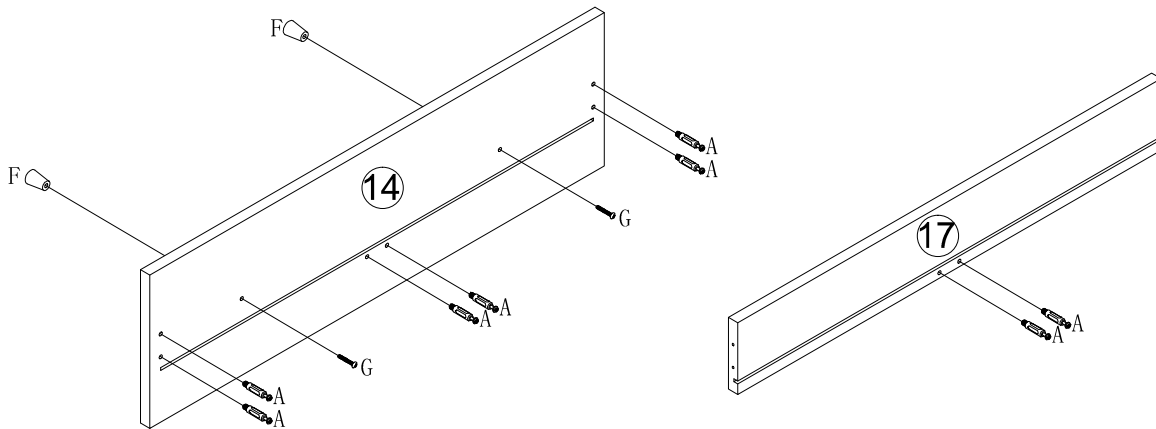
STEP 19



No. H
Quantity: 16 Pcs
M3.5*14mm



STEP 20



x2

No. A
Quantity: 16 Pcs
8*28 mm



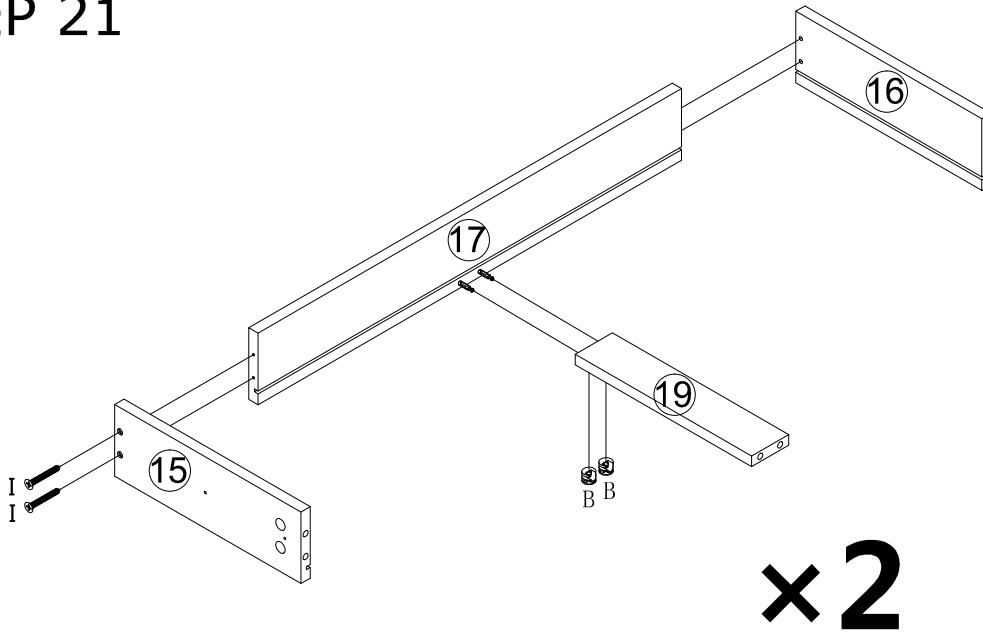
No. F
Quantity: 4 Pcs
Ø20*23mm



No. G
Quantity: 4 Pcs
M4*20mm



STEP 21



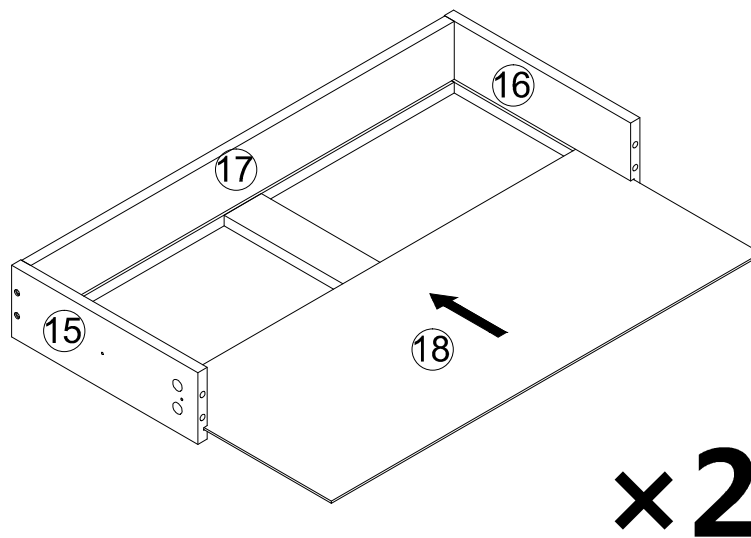
No. B
Quantity: 4 Pcs
Ø15



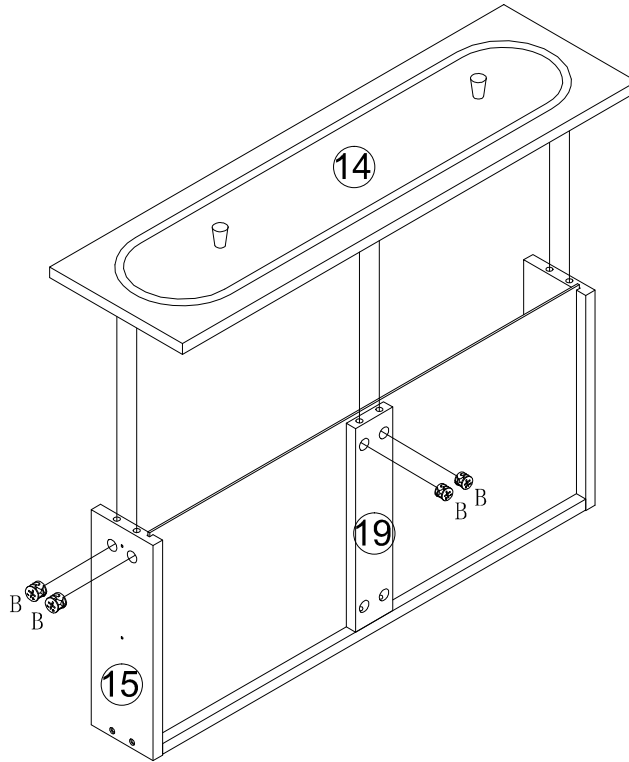
No. I
Quantity: 8 Pcs
M4*30mm



STEP 22



STEP 23



x2

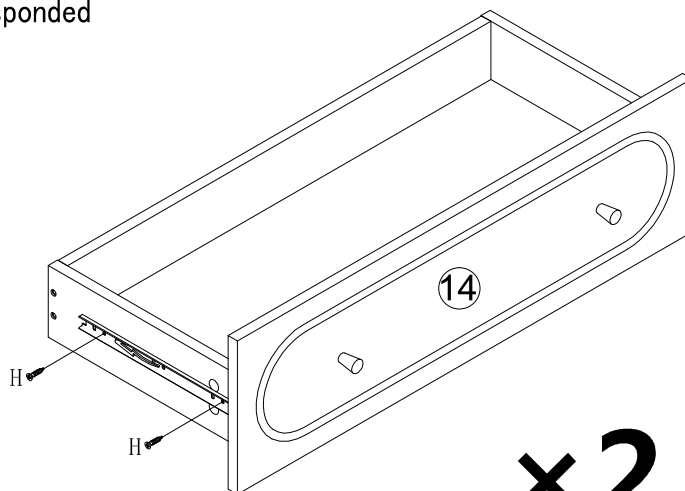
No. B
Quantity: 12 Pcs
Ø15



STEP 24

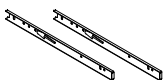


The first screw hole should corresponded with the board location hole



x2

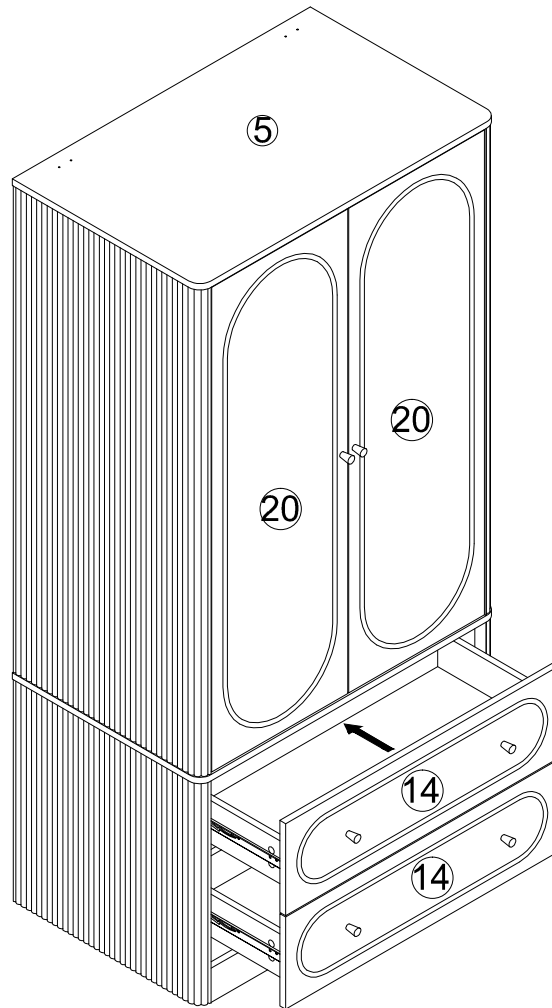
No. E
Quantity: 2 Sets
10"



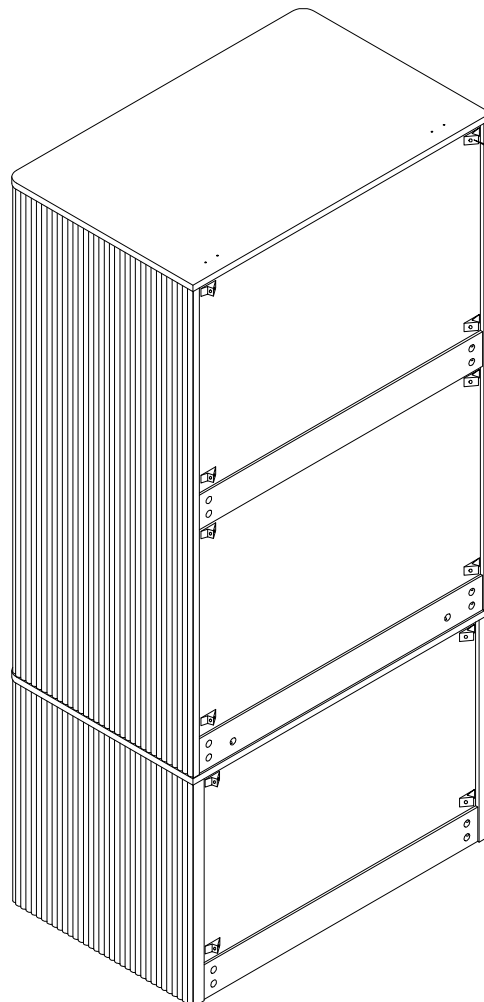
No. H
Quantity: 8 Pcs
M3.5*14mm



STEP 25



STEP 26



Description: Insert the thinner end of the reinforcement into the gap in this back panel, then tighten the screws. This will make the cabinet more stable.

No. O
Quantity: 12 Pcs

