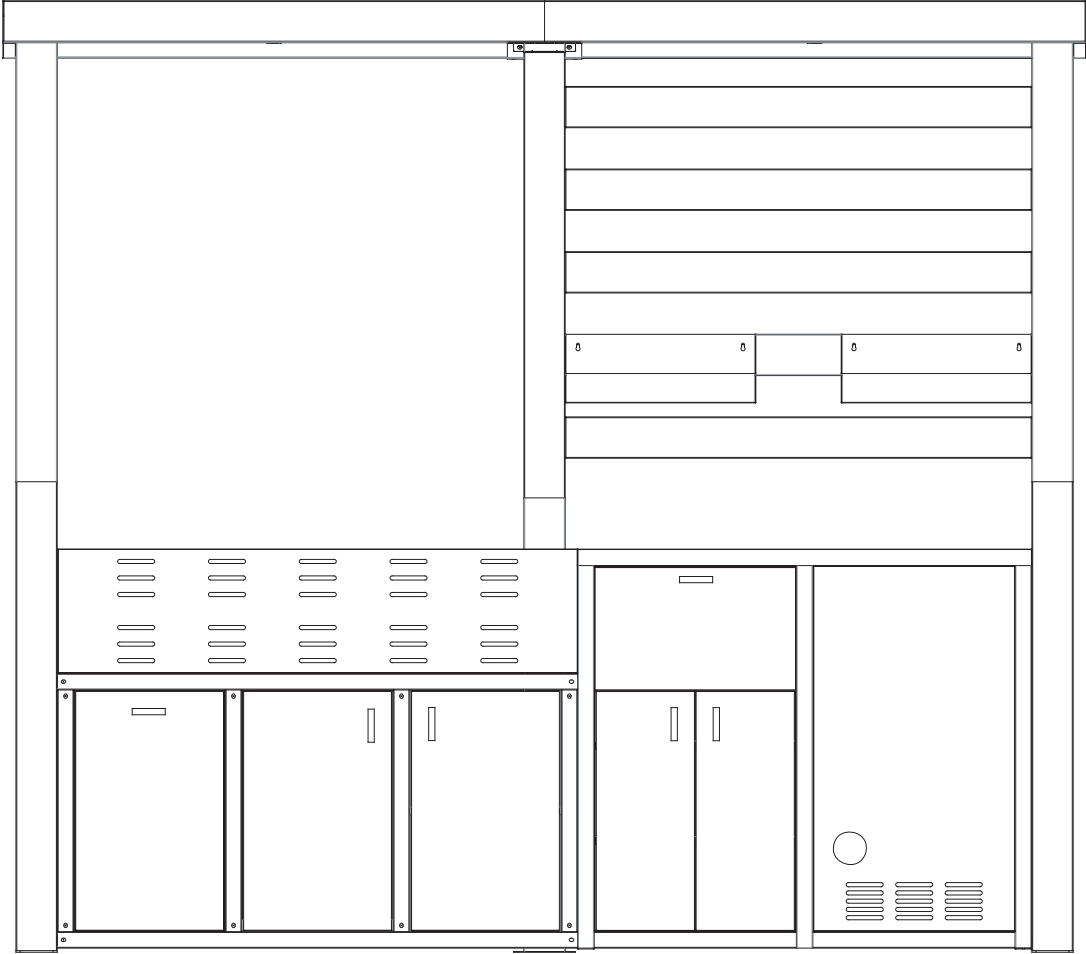


INSTALLATION

Product Manual

Version: 510014-00-25A-YM

OUTDOOR KITCHEN

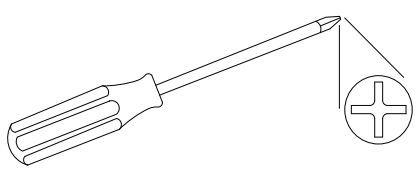


OWNER'S MANUAL - BASIC SETUP DIMENSIONS & ASSEMBLY NOTES

It is critically important that you start with square and level footings, concrete pad or deck to attach your structure

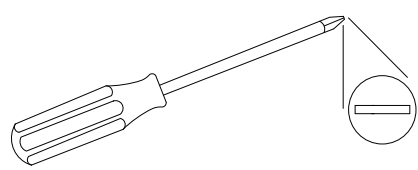
- ☒ Pay close attention to the items needed for each step. Make sure you are using the correct hardware for each step. Using incorrect hardware may result in improper assembly
- ☒ Remember to double check for underground utilities and overhead electrical lines

TOOLS REQUIRED (NOT INCLUDED)



Phillips screwdriver

TOOLS REQUIRED (NOT INCLUDED)



Flathead screwdriver

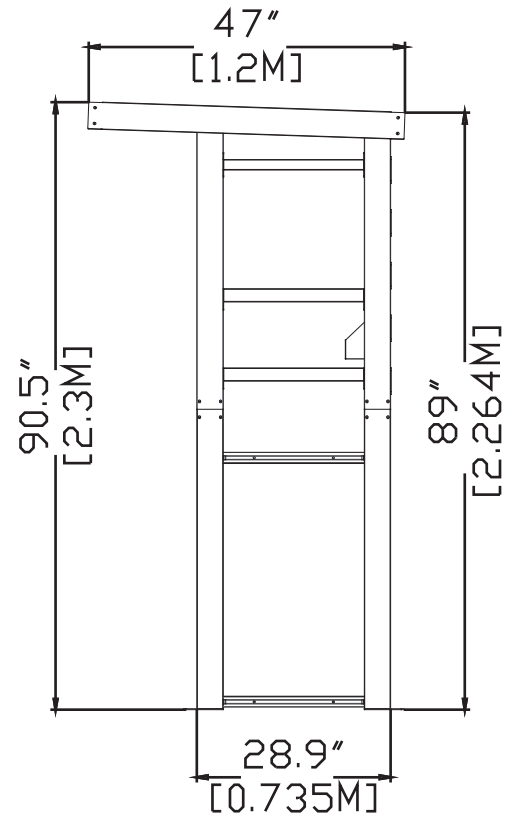
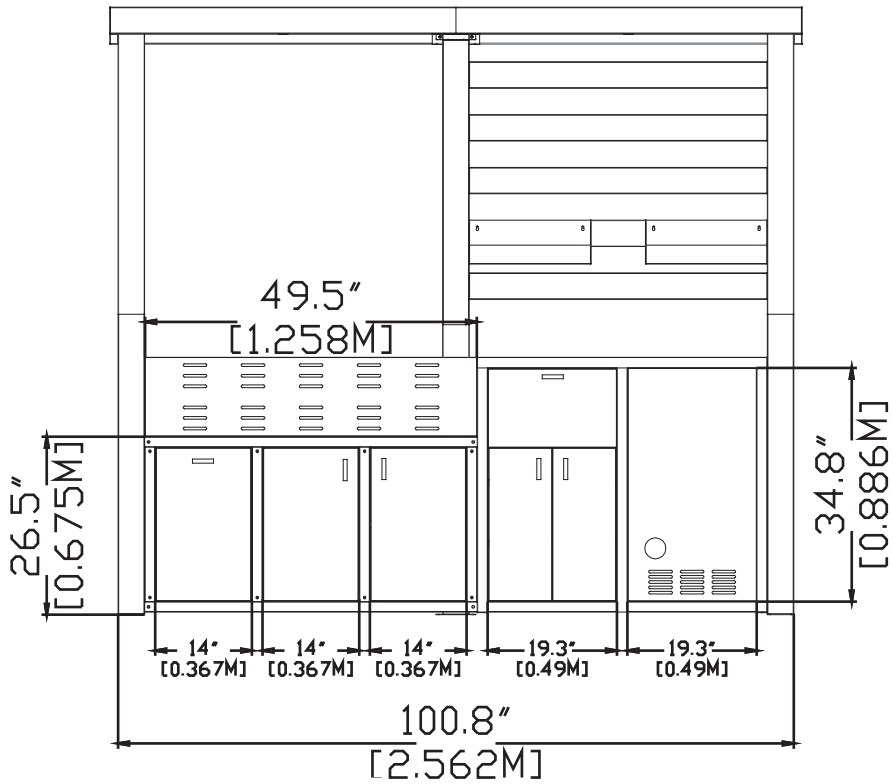
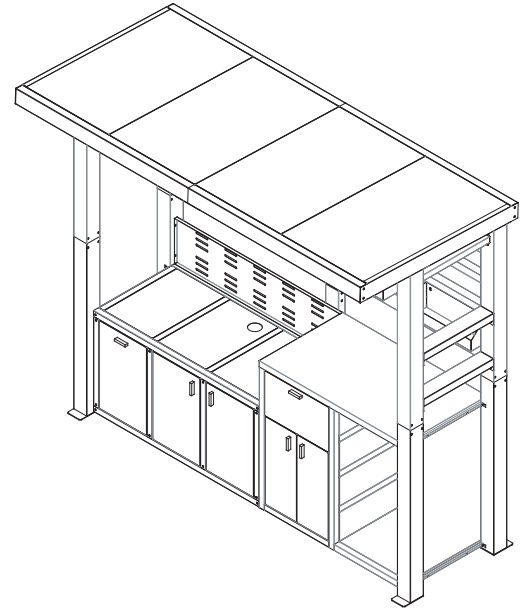
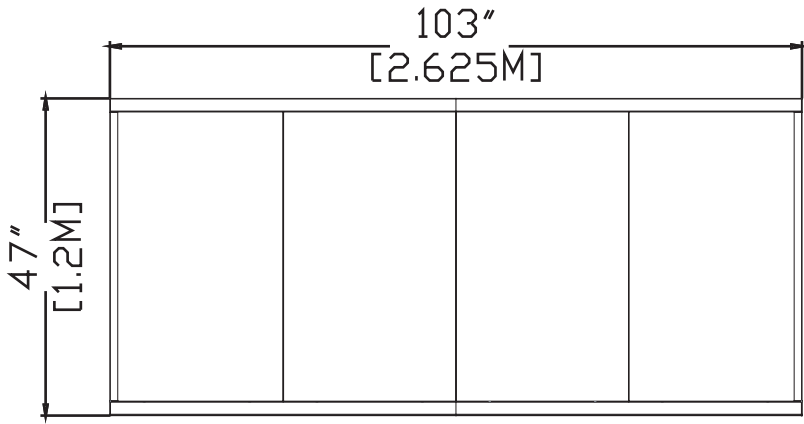
Matters needing attention

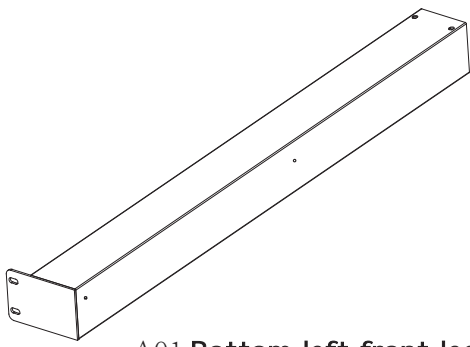


The installation requires two or more people and takes approximately four hours.

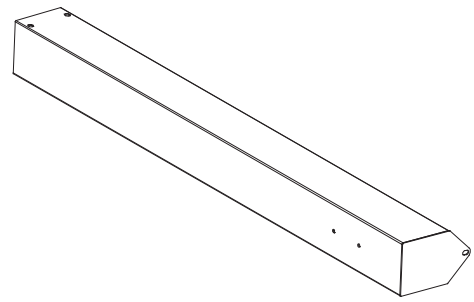


Do not fully tighten screws prior to complete assembly.

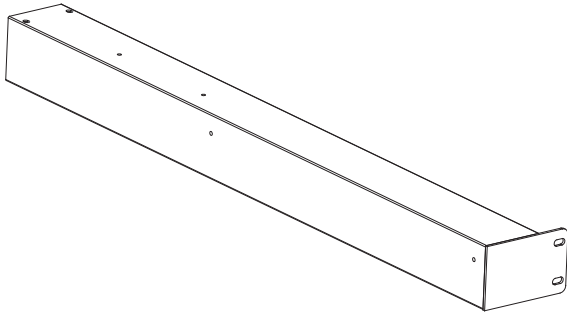




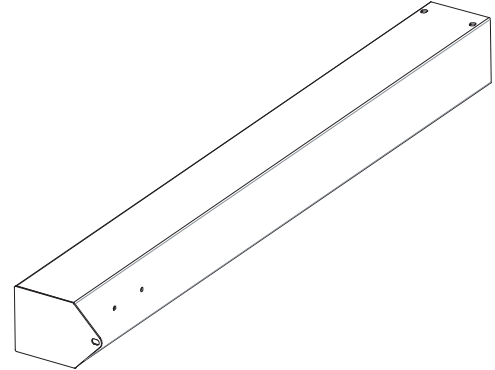
A01 **Bottom left front leg*1**
1140*100*150



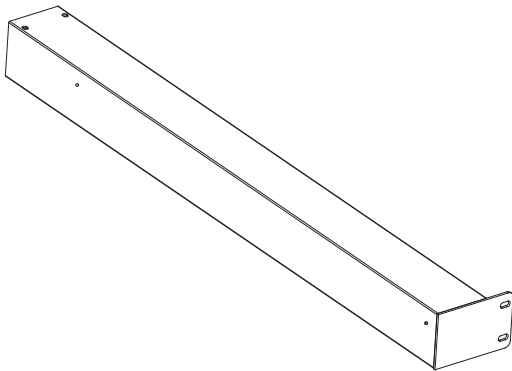
A02 **Upper left front leg*1**
1084*100*146



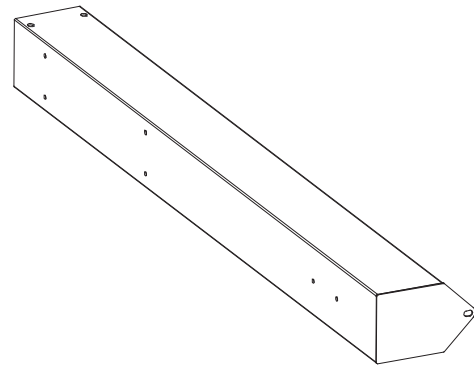
B01 **Bottom left back leg*1**
1140*100*150



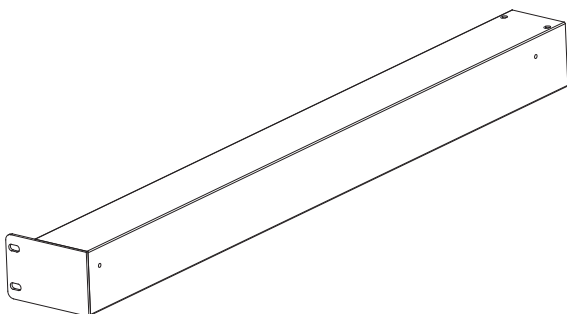
B02 **Upper left back leg*1**
1064*100*146



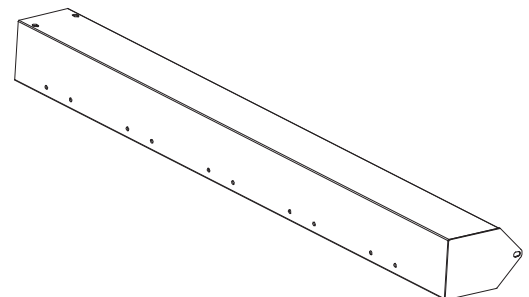
C01 **Bottom right front leg*1**
1140*100*150



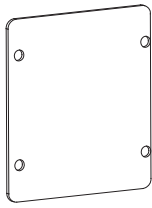
C02 **Upper right front leg*1**
1084*100*146



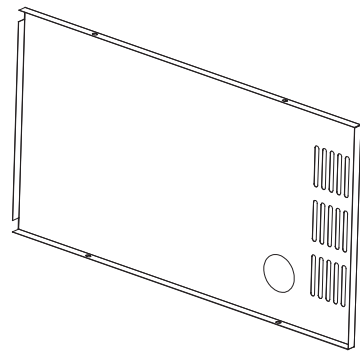
D01 **Bottom right back leg*1**
1140*100*150



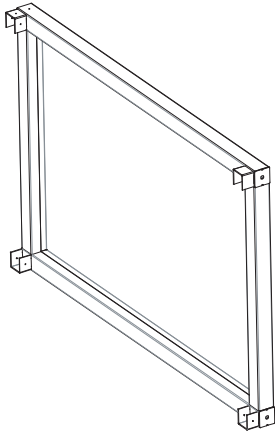
D02 **Upper right back leg*1**
1064*100*146



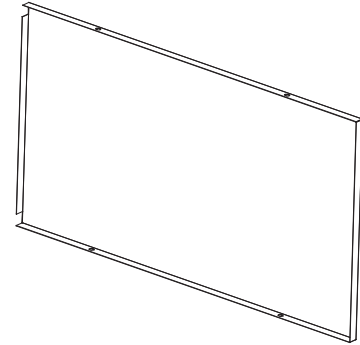
E Pin connector*8
93*100*1.8



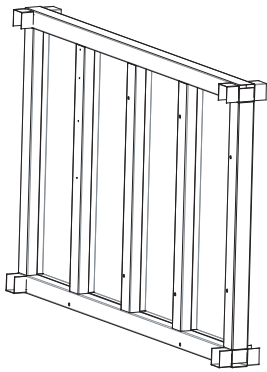
G01 Freezer cooling back panel*1
488*883*20



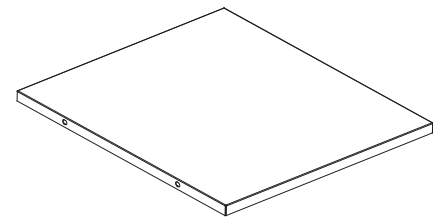
F01 Freezer right panel*1
969*635*70



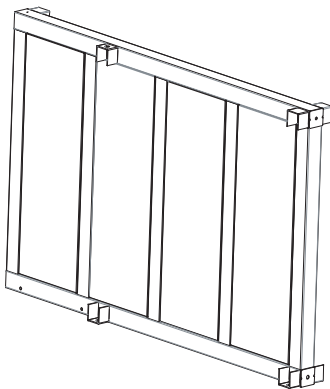
G02 Freezer back panel*1
488*883*20



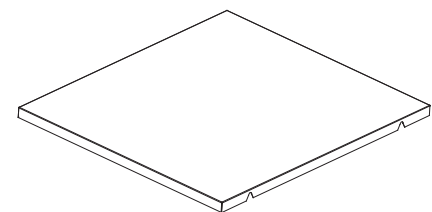
F02 Freezer shelf*1
969*635*100



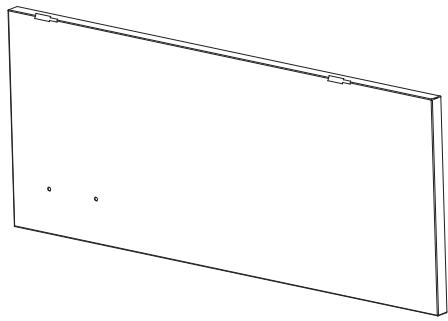
H01 Freezer bottom panel*2
490*555*20



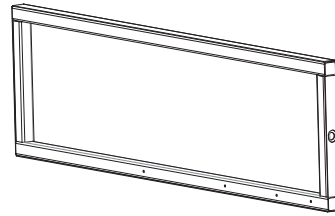
F03 Freezer left panel*1
969*635*100



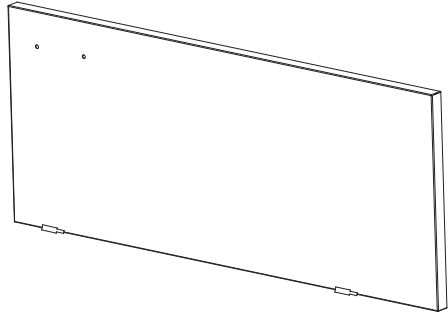
H02 Freezer middle shelf*2
550*485*20



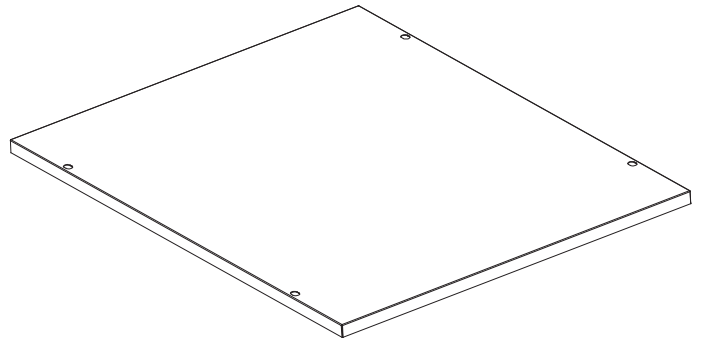
I01 Freezer right door panel*1
240*580*16



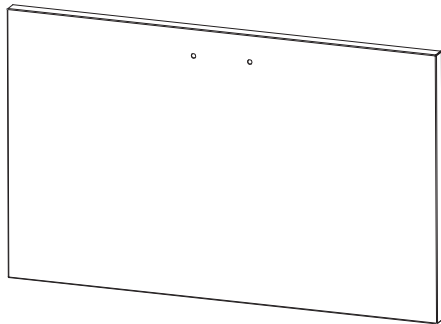
J03 Freezer drawer left panel*1
585*161*16



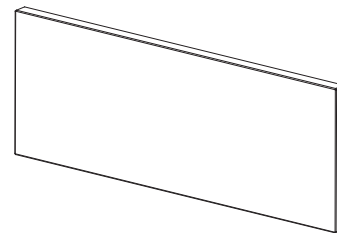
I02 Freezer left door panel*1
240*580*16



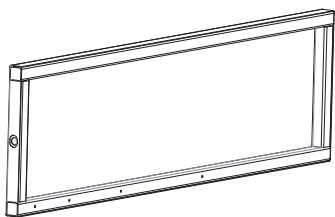
J04 Freezer drawer shelf*1
585*464*15



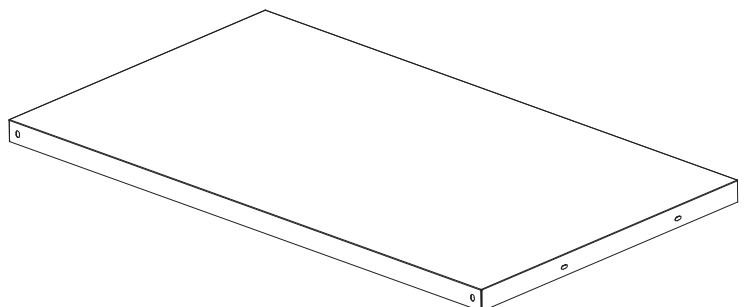
J01 Freezer drawer door panel*1
488*298*16



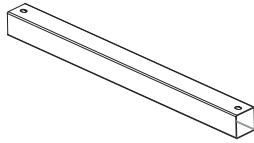
J05 Freezer drawer back panel*1
432*161*15



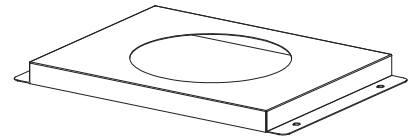
J02 Freezer drawer right panel*1
585*161*16



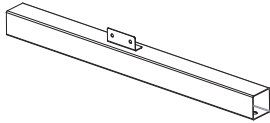
K Freezer table top *1
1100*637*40



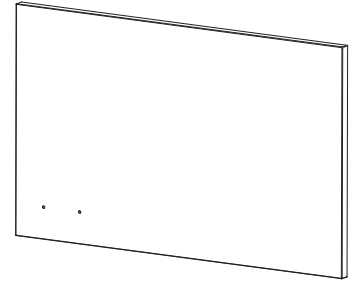
L01 Freezer connection tube*7
40*40*490



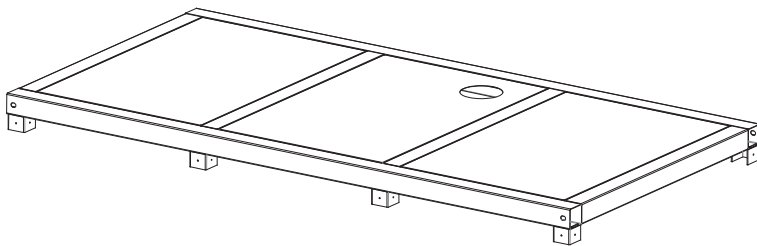
M03 Gas tank support*1
435*295*30



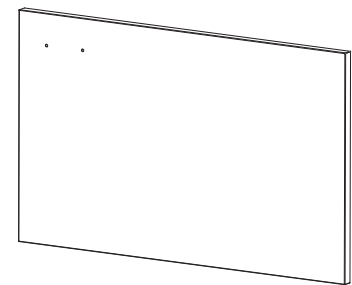
L02 Freezer connection tube*1
63*40*490



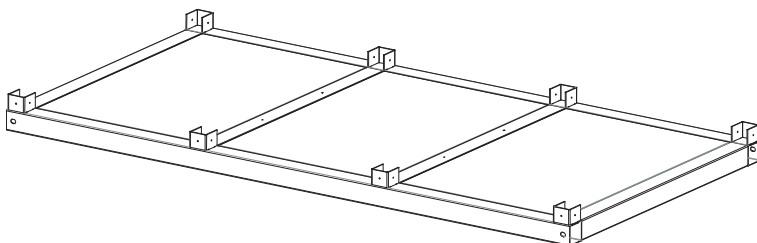
N01 Barbecue cabinet right door panel*1
360*580*16



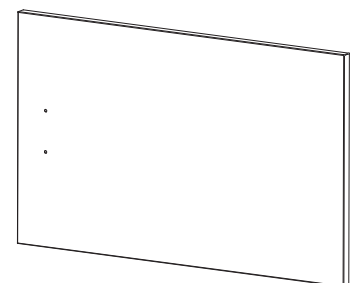
M01 Barbecue cabinet table top*1
1260*635*70



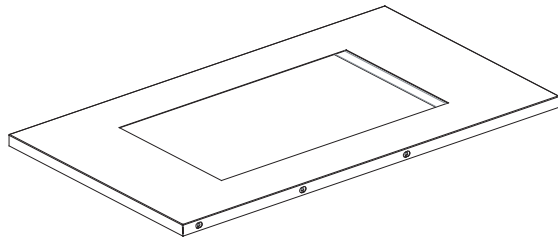
N02 Barbecue cabinet left door panel*1
360*580*16



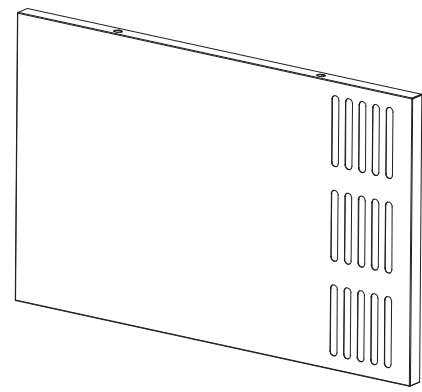
M02 Barbecue cabinet bottom panel*1
1260*635*70



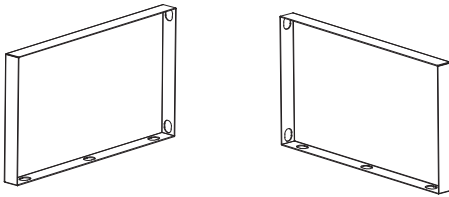
N03 Barbecue cabinet drawer door panel*1
360*580*16



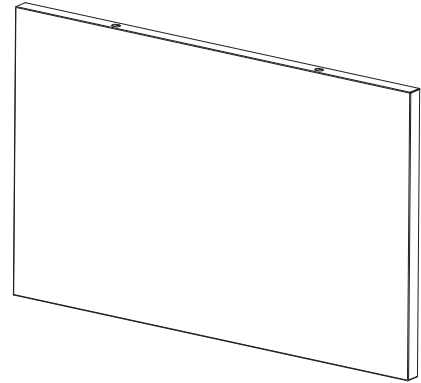
N04 Barbecue cabinet trash holder*1
580*341*16



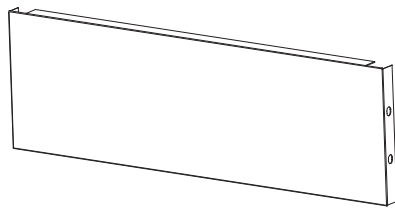
O03 Barbecue cabinet cooling back panel*1
365*584*20



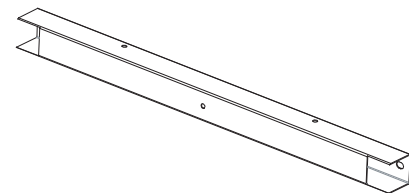
N05/N06 Barbecue cabinet drawer connector box*2
200*114*15



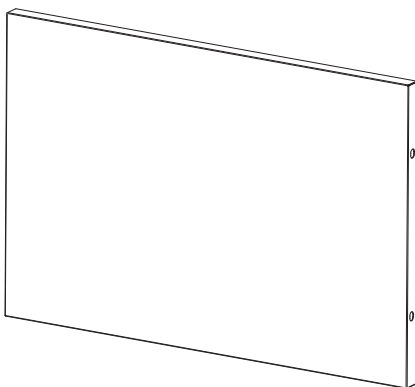
O04 Barbecue cabinet back panel*2
365*584*20



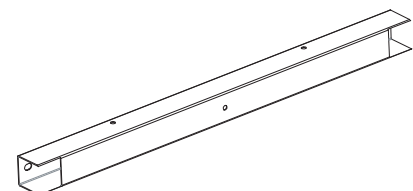
O01 Barbecue cabinet left panel (S)*1
553*172*20



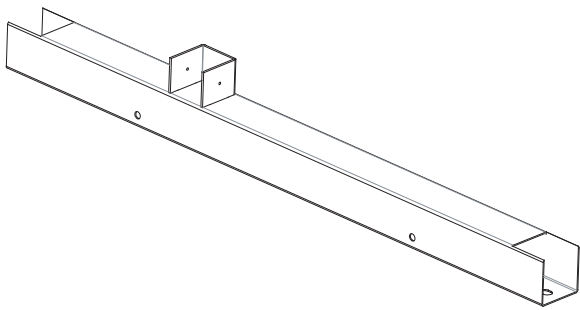
P01 Barbecue cabinet support pipe*1
40*40*585



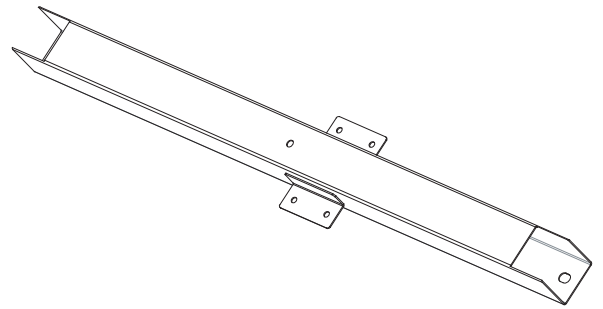
O02 Barbecue cabinet left panel(L)*1
553*372*20



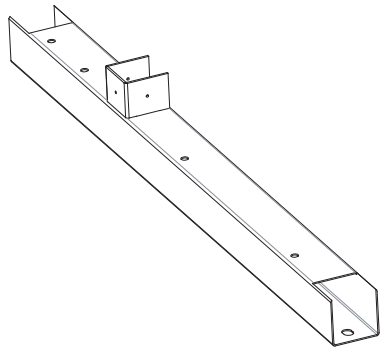
P02 Barbecue cabinet support pipe*1
40*40*585



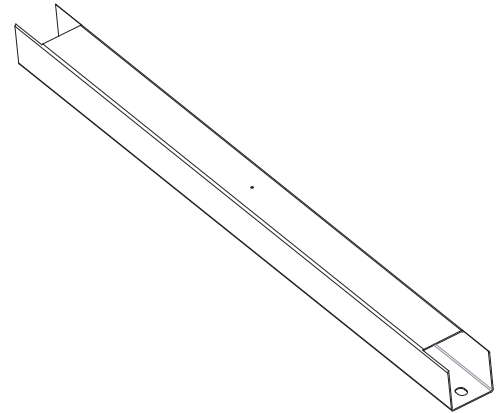
P03 **Barbecue cabinet support pipe*1**
40*70*585



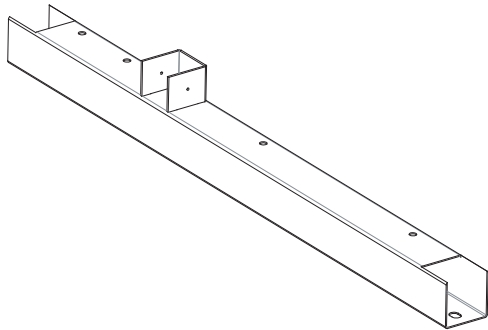
P07 **Barbecue cabinet support pipe*1**
86*40*585



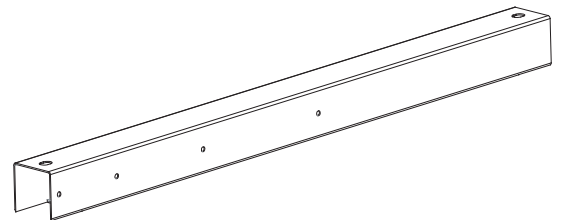
P04 **Barbecue cabinet support pipe*1**
40*70*585



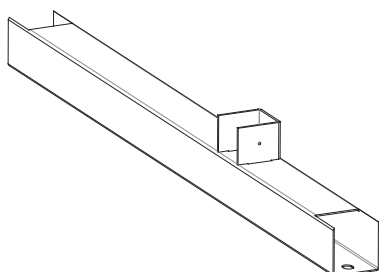
P08 **Barbecue cabinet support pipe*1**
40*40*585



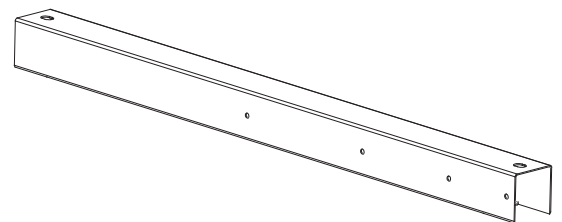
P05 **Barbecue cabinet support pipe*1**
40*70*585



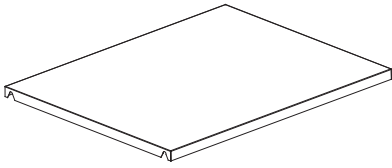
P09 **Barbecue cabinet support pipe*1**
40*40*555



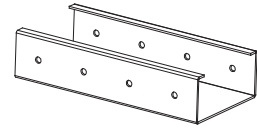
P06 **Barbecue cabinet support pipe*1**
40*70*585



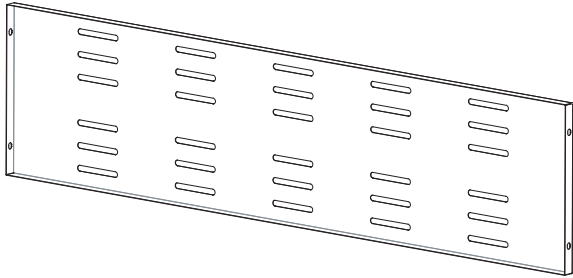
P10 **Barbecue cabinet support pipe*1**
40*40*555



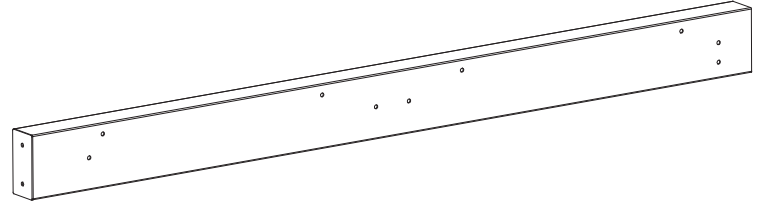
Q01 Barbecue cabinet middle shelf*1
440*550*20



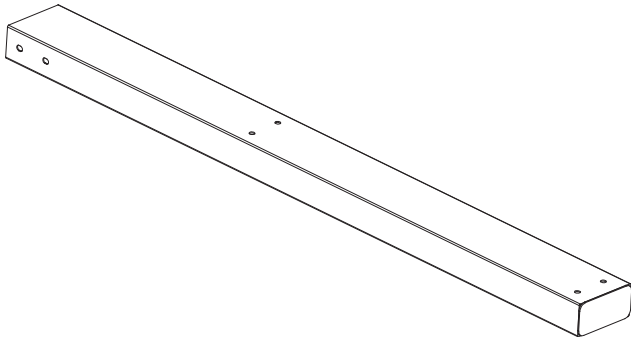
R03 Upright post connector *1
95*200*45



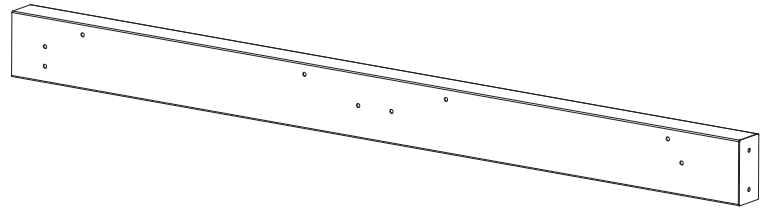
Q02 Barbecue cabinet cooling panel *1
1260*300*20



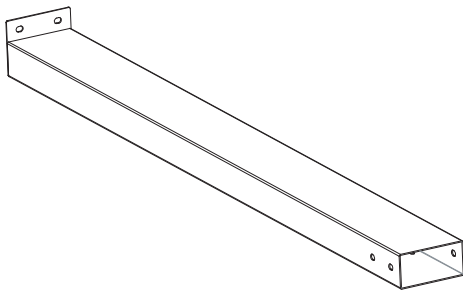
S01 Top outer frame(long)*2
100*50*1312



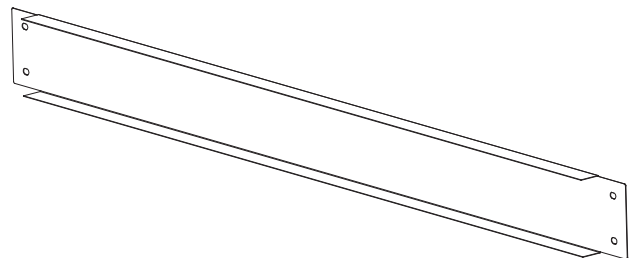
R01 Bottom upright post *1
100*50*1100



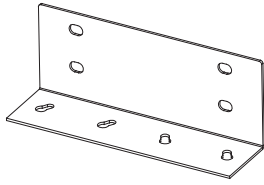
S02 Top outer frame(long)*2
100*50*1312



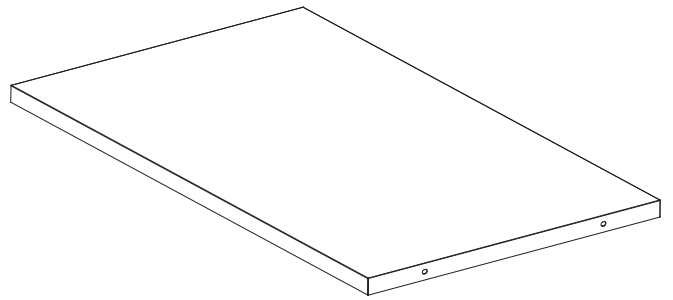
R02 Upper upright post*1
80*100*1080



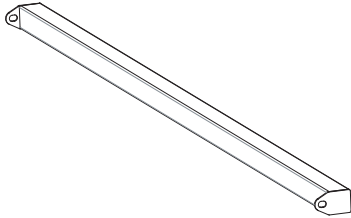
S03 Top outer frame(short)*2
100*30*1200



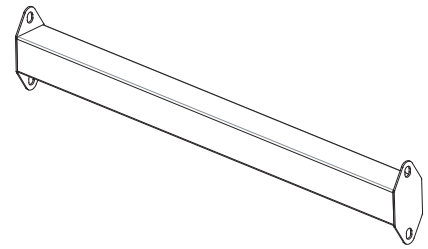
T Top connector strap*2
180*50*70



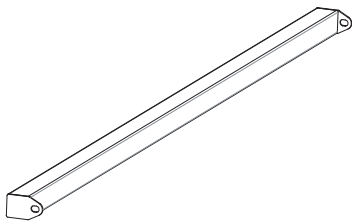
V Top decorative sheet*4
655*1100*33



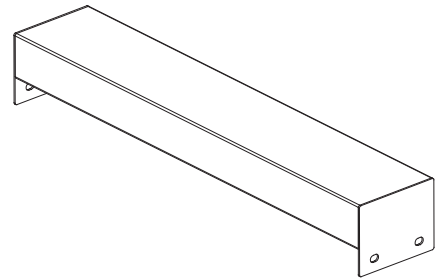
U01 Top right connector pipe*1
30*50*1100



W01 Leg connector pipe*2
93*40*535



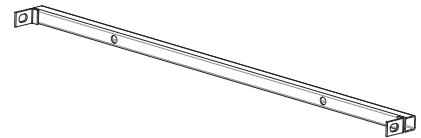
U02 Top left connector pipe*1
30*50*1100



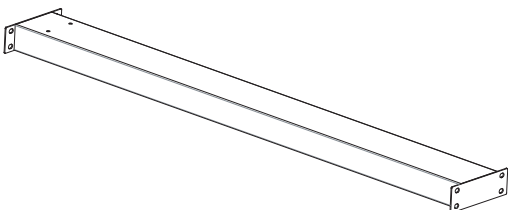
W02 Storage pipe*2
80*100*535



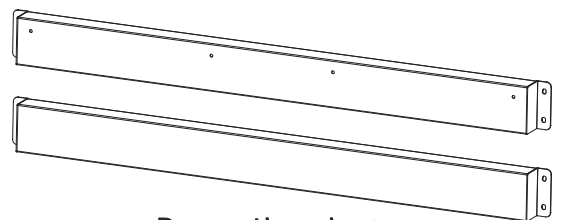
U03 Top connector pipe*2
30*77*1100



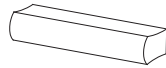
W03 Connector pipe*4
40*15*535



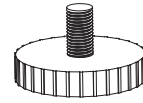
U04 Top middle connector pipe*1
150*50*1100



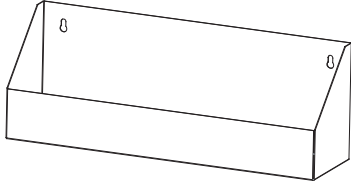
X Decorative pipe*5
100*50*1190



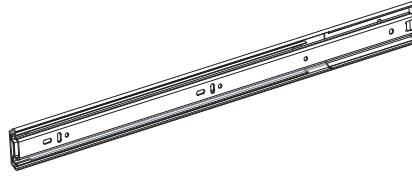
Door handle*6



Foot pad*12



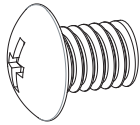
Container*2
460*120*165



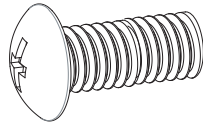
Slideway*4



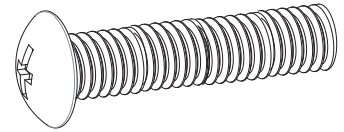
Grommet*2



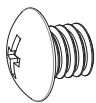
M6*10*246



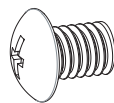
M6*25*10



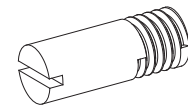
M6*60*4



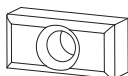
M4*4*12



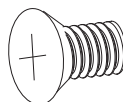
M4*8*28



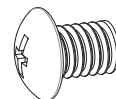
M6*16*12



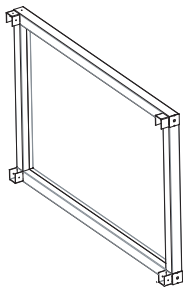
Magnet*4



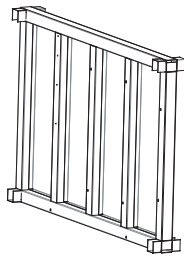
M4*8*4
(countersunk bolt)



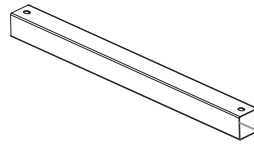
M6*10*4
(small head bolt)



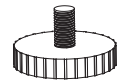
F01 Freezer right panel*1



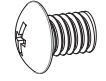
F02 Freezer shelf*1



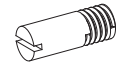
L01 Freezer connection tube*4



Foot pad*4



M6*10*8

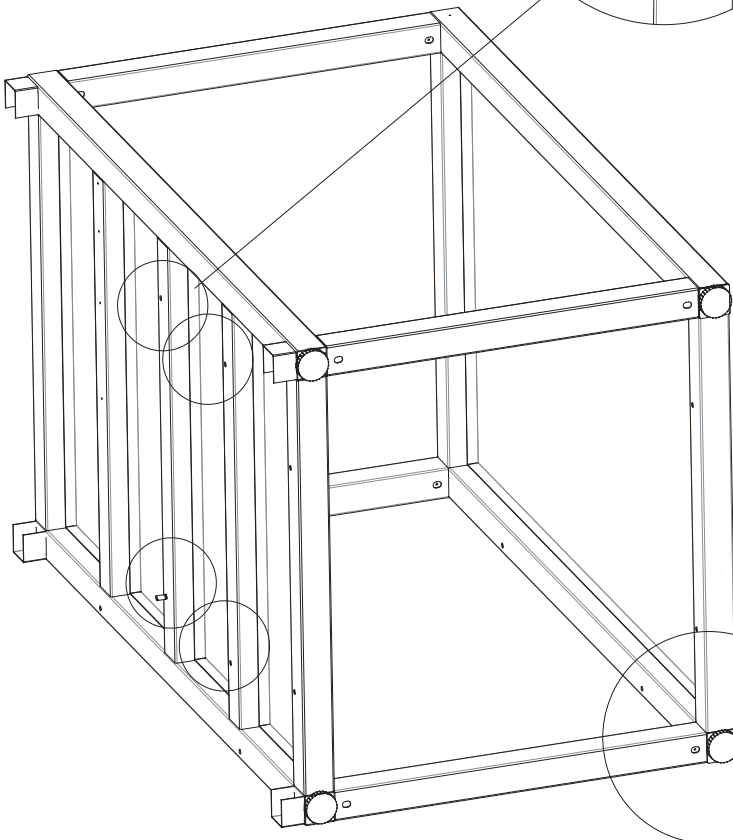
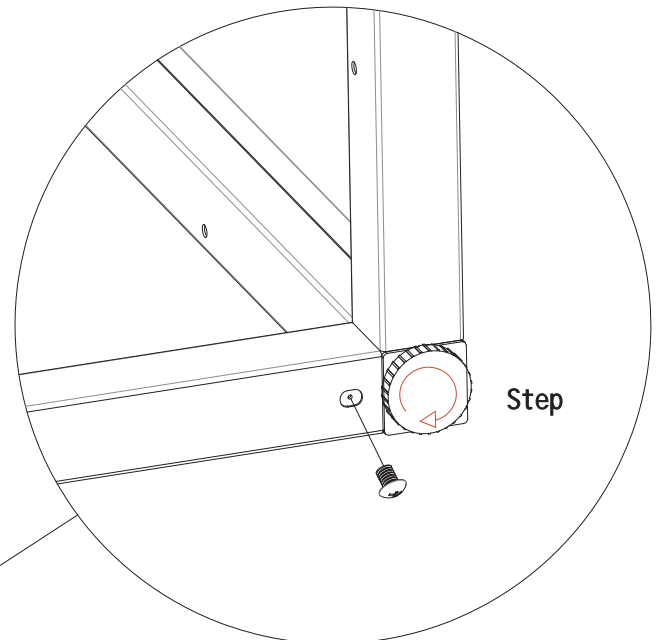
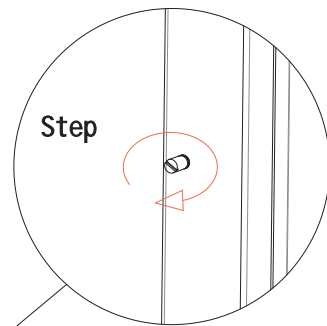
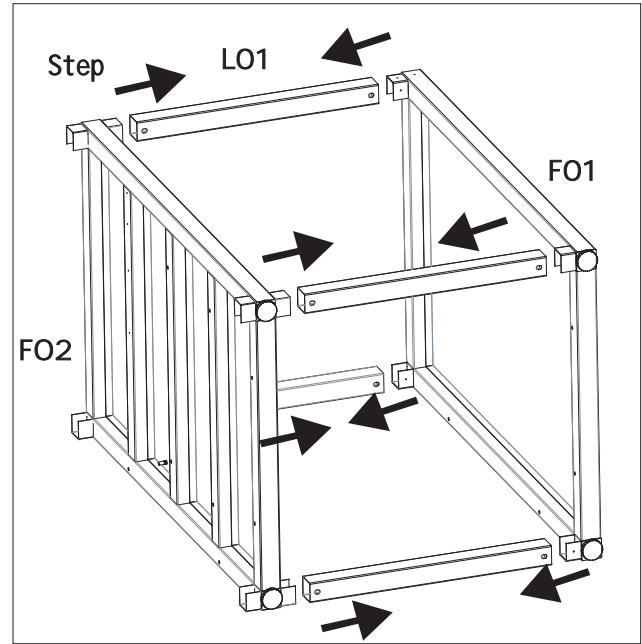


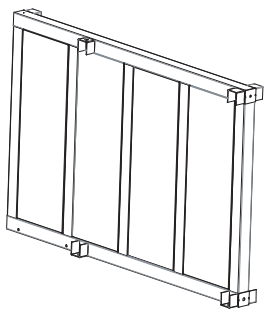
M6*16*4

1. Attach the four L01 to the F01 and F02 by using eight M6*10 bolts, then tighten them. Note that for the F02 plane face inward and the hole face outward.

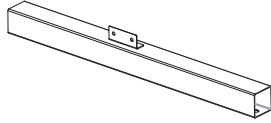
2. Put the four foot pads into F01 and F02.

3. Install the four M6*16 bolts as shown on the following figure.

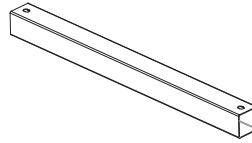




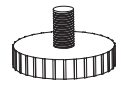
F03 Freezer left panel *1



L02 Freezer connection tube *1



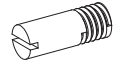
L01 Freezer connection tube *3



Foot pad*2



M6*10*8

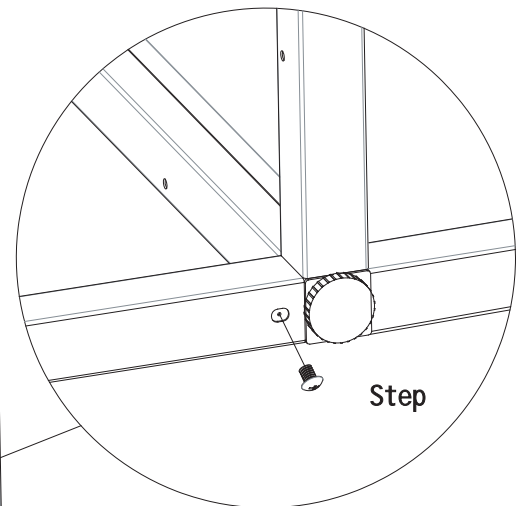
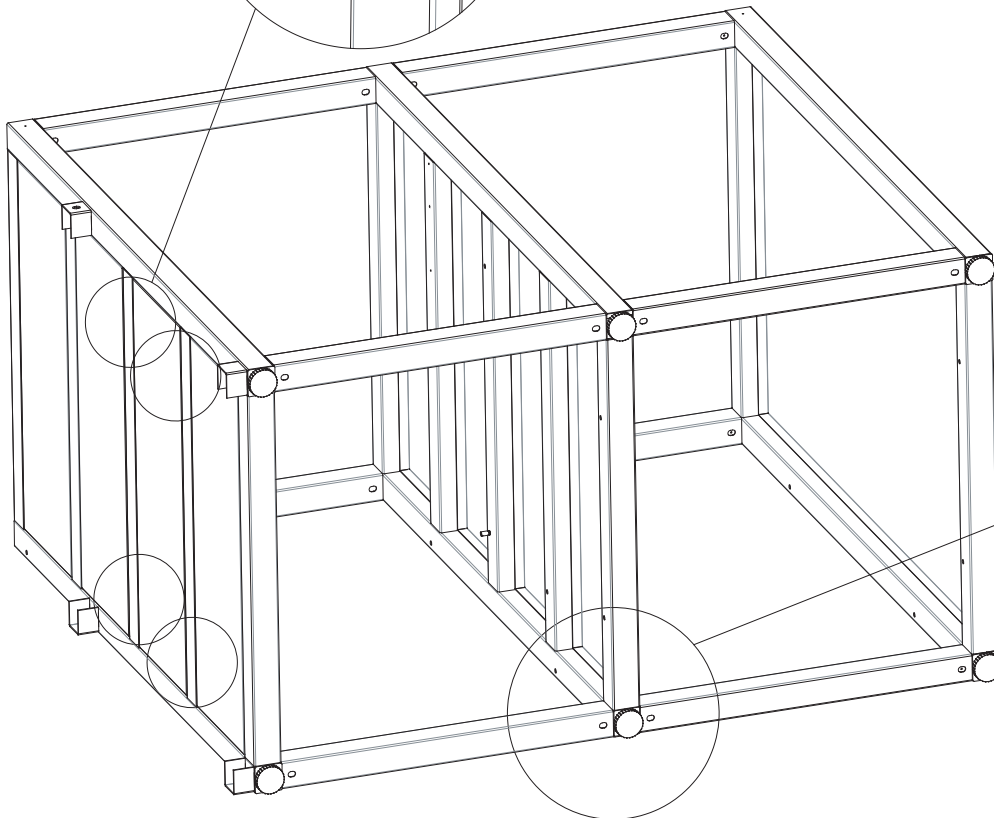
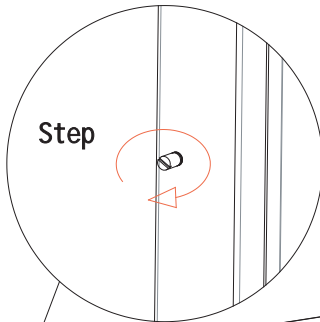
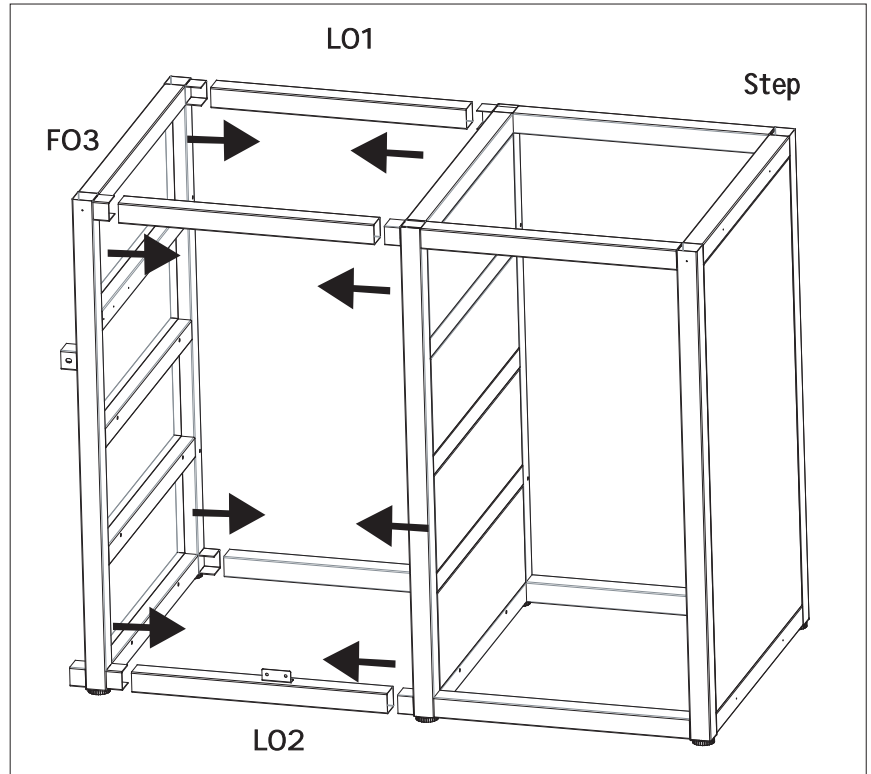


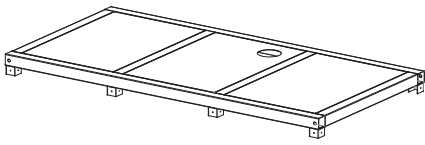
M6*16*4

1. Attach the L02 and three L01 to the F03 and F02 by using eight M6*10 bolts, then tighten them.

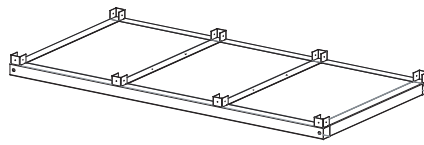
2. Put the two foot pads into the F03 .

3. Install the four M6*16 bolts as shown on the following figure.

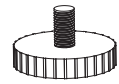




M01 Barbecue cabinet table top*1



M02 Barbecue cabinet bottom panel*1

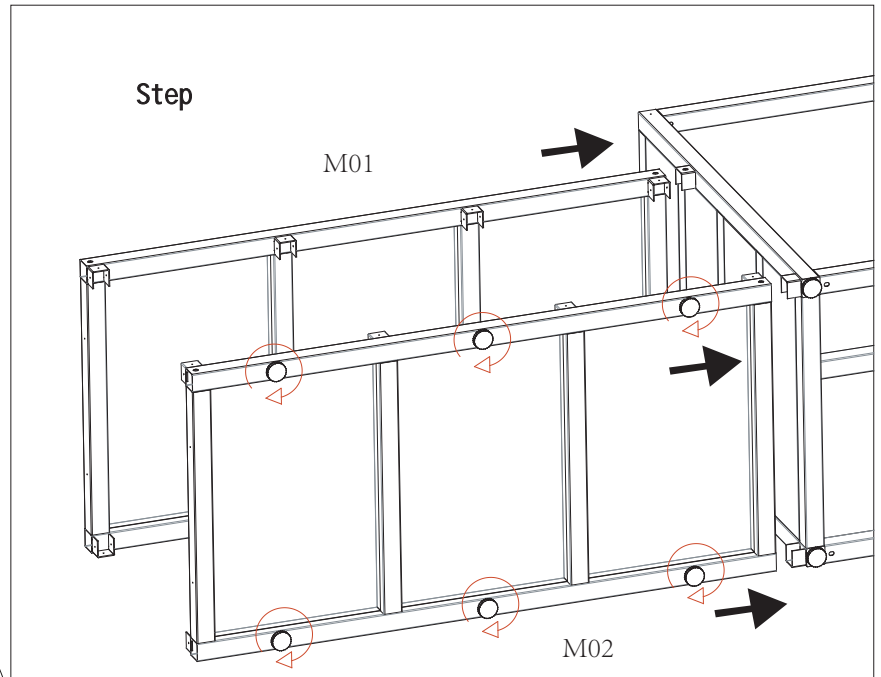


Foot pad*6

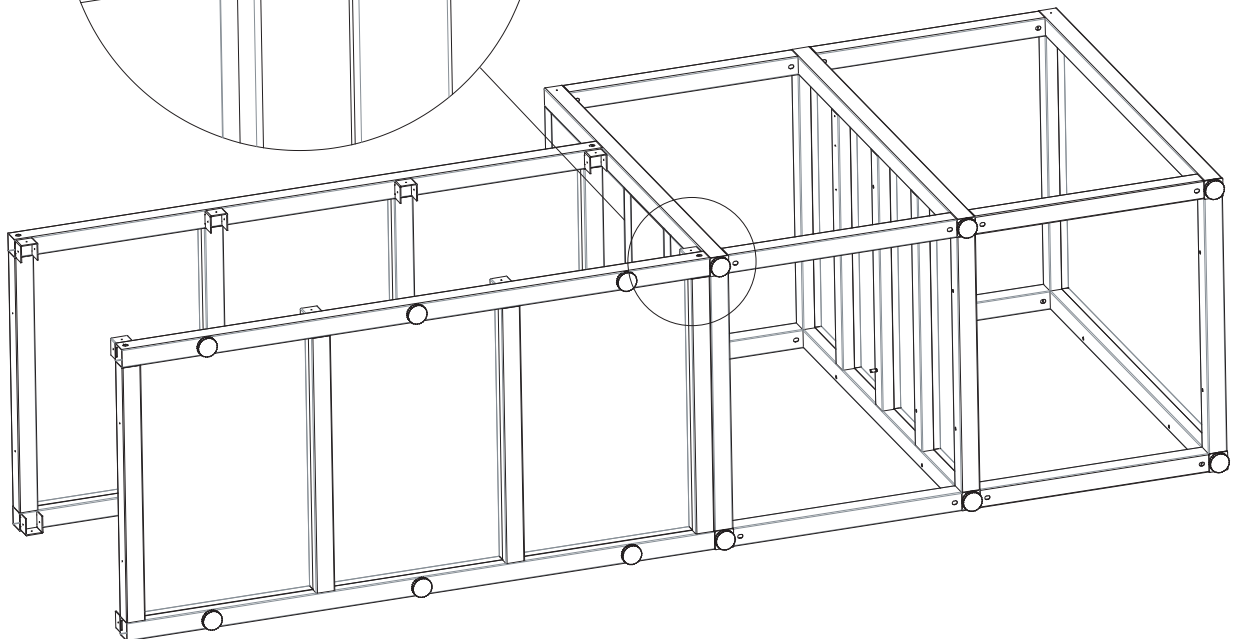
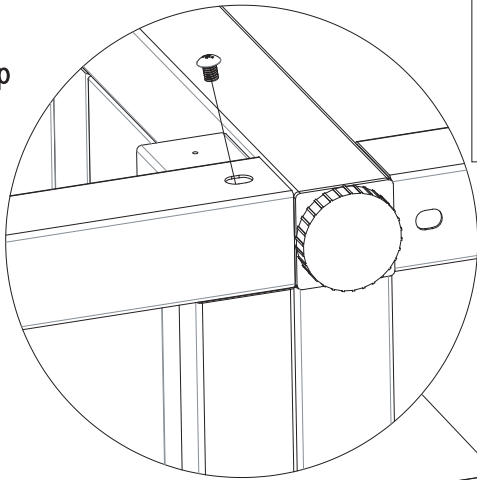


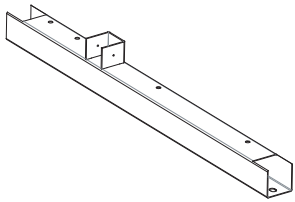
M6*10*2

1. Attach the M01 and M02 to the F03 by using two M6*10 bolts, then tighten them.
2. Install the six foot pads on M02.

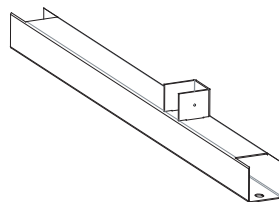


Step

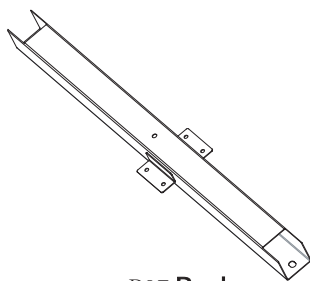




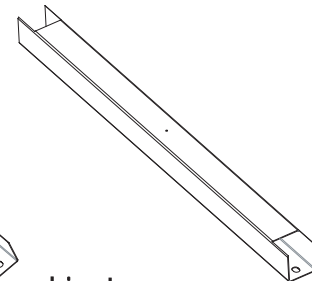
P05 Barbecue cabinet support pipe*1



P06 Barbecue cabinet support pipe*1



P07 Barbecue cabinet support pipe*1



P08 Barbecue cabinet support pipe*1



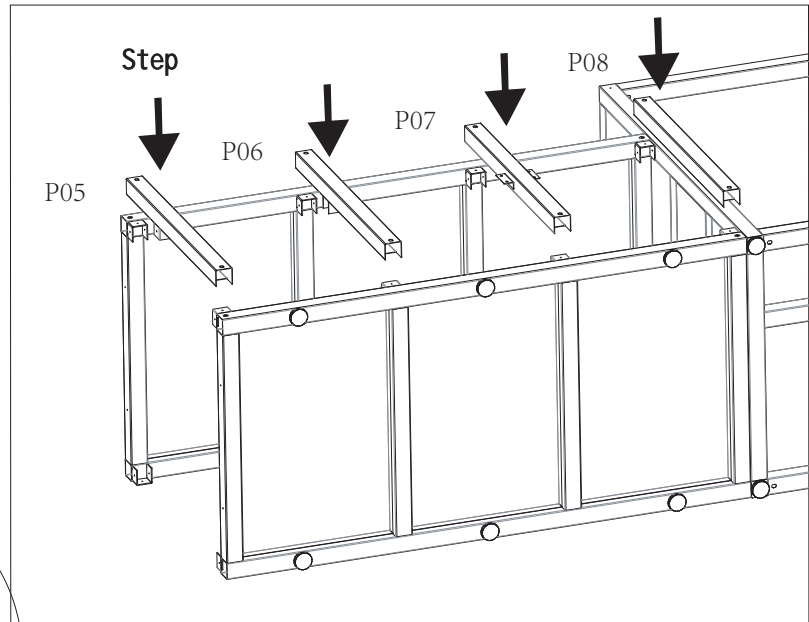
M6*10*8



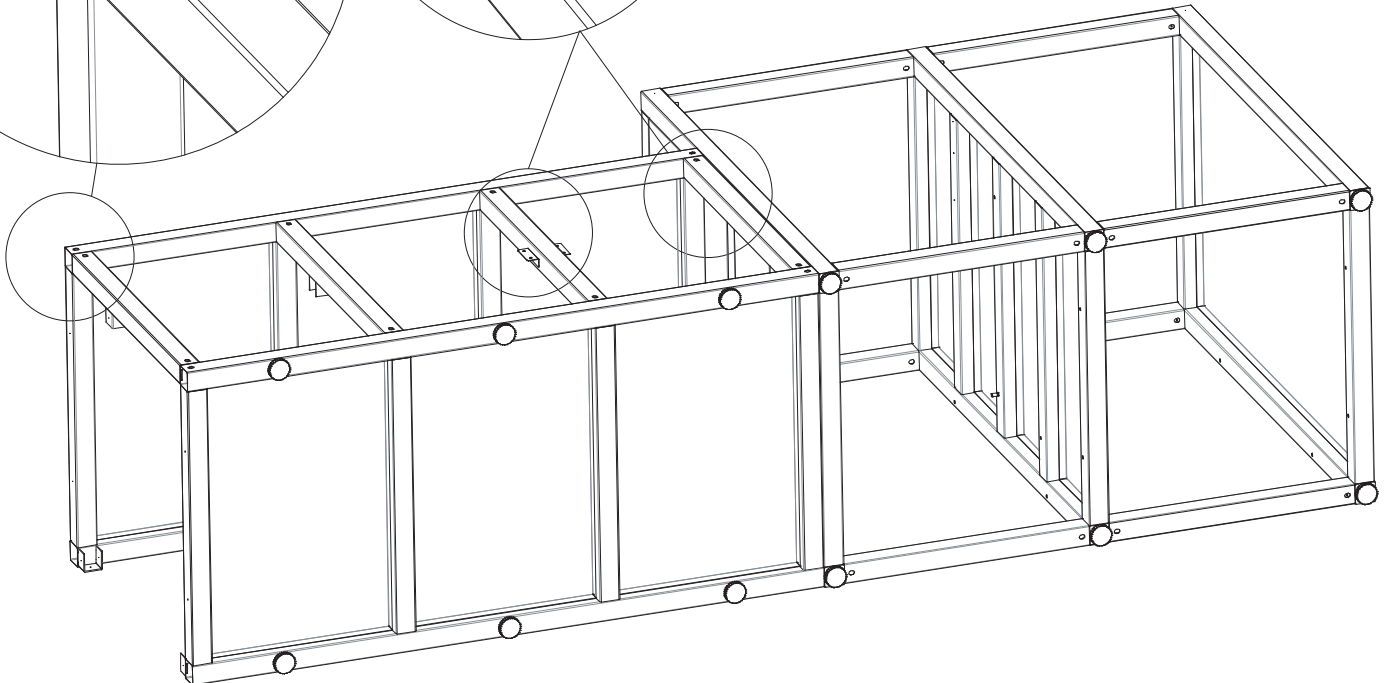
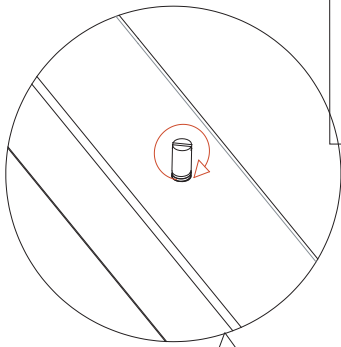
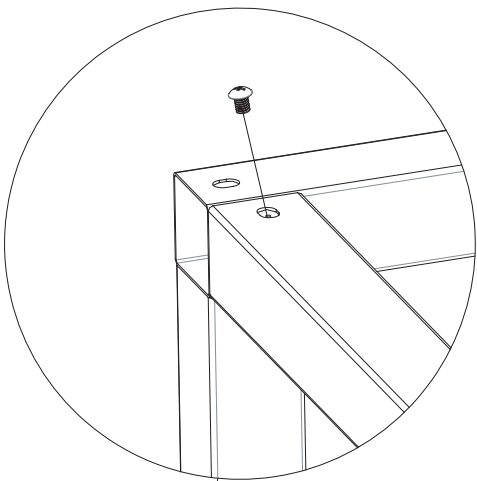
M6*16*2

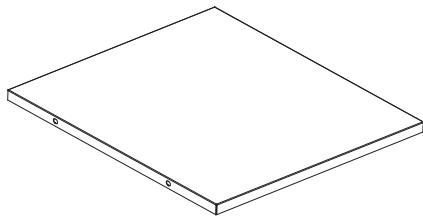
1. Install the two M6*16 bolts on the P07 and P08.

2. Attach the P05, P06, P07, P08 to the M01 and M02 by using eight M6*10 bolts, then tighten them.



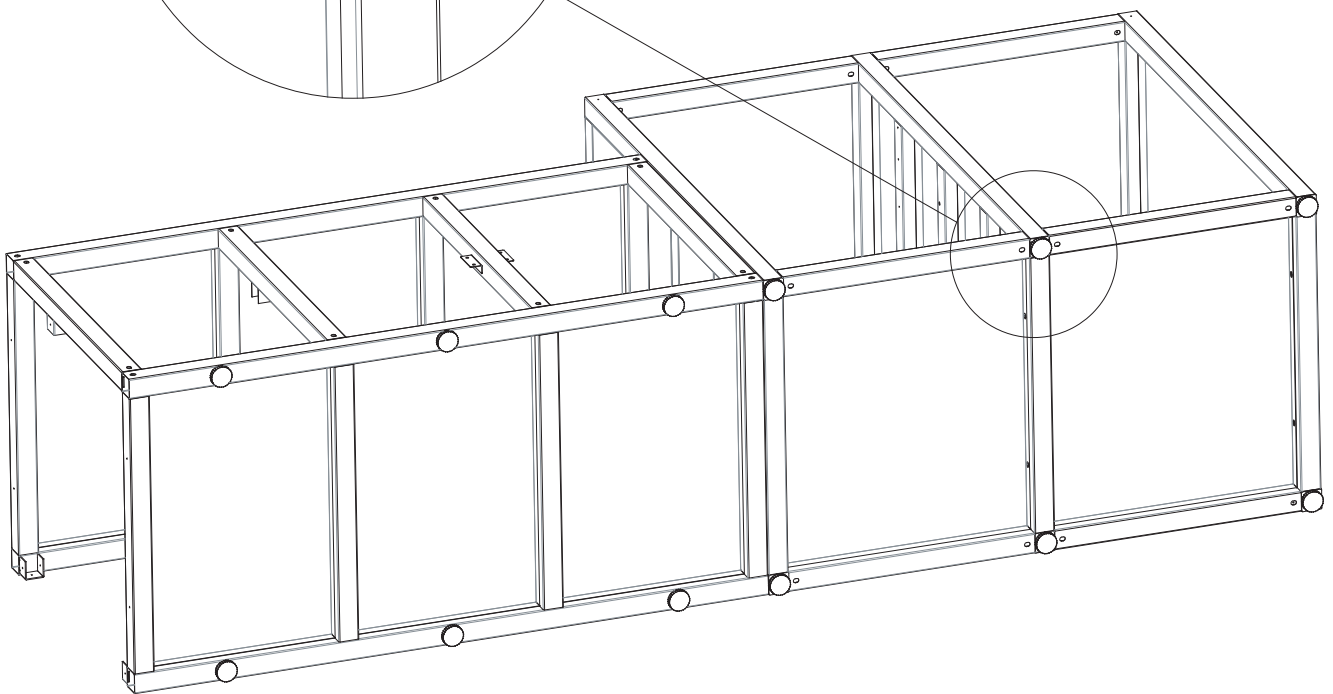
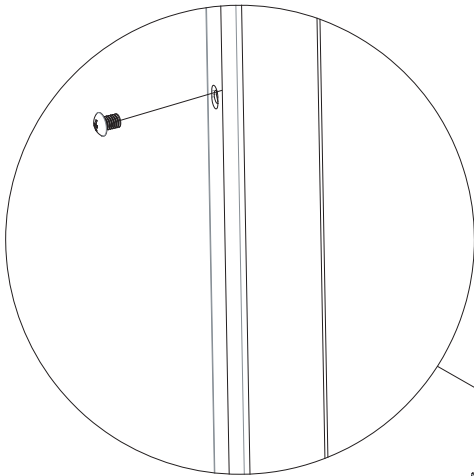
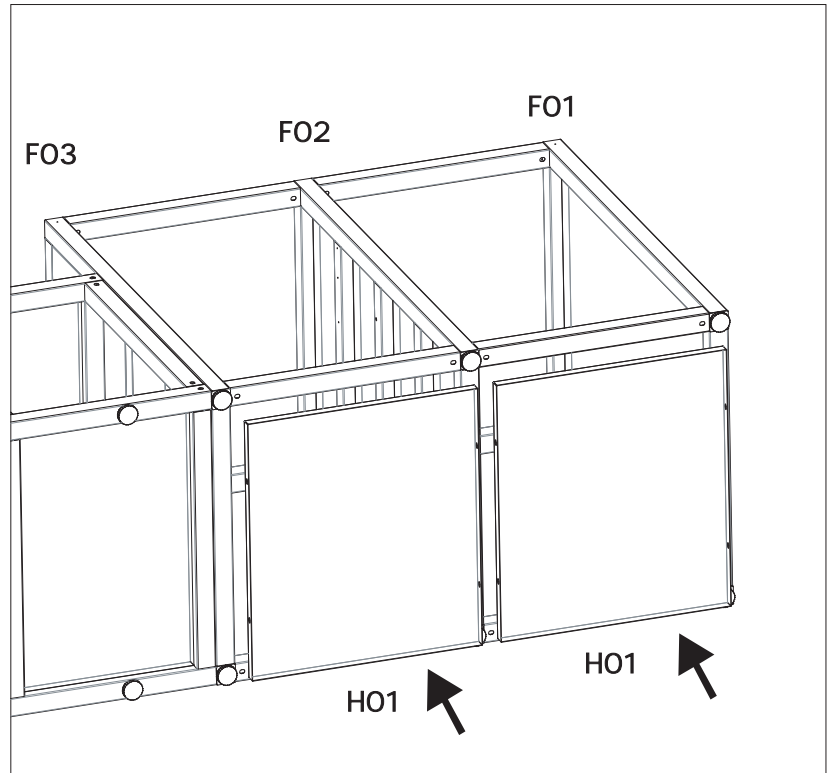
Step

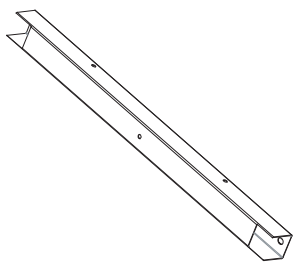




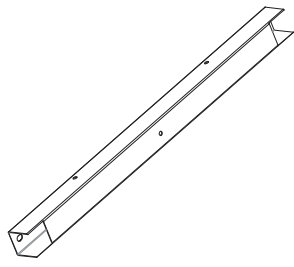
H01 Freezer
bottom panel*2

1. Attach the two H01 to the F01, F02 and F03 by using eight M6*10 bolts, then tighten them.

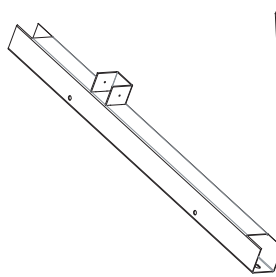




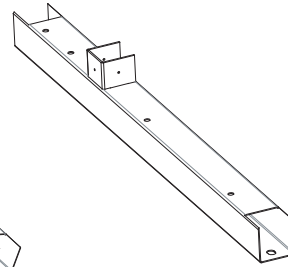
P01 Barbecue cabinet support pipe*1



P02 Barbecue cabinet support pipe*1



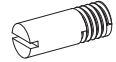
P03 Barbecue cabinet support pipe*1



P04 Barbecue cabinet support pipe*1



M6*10*10



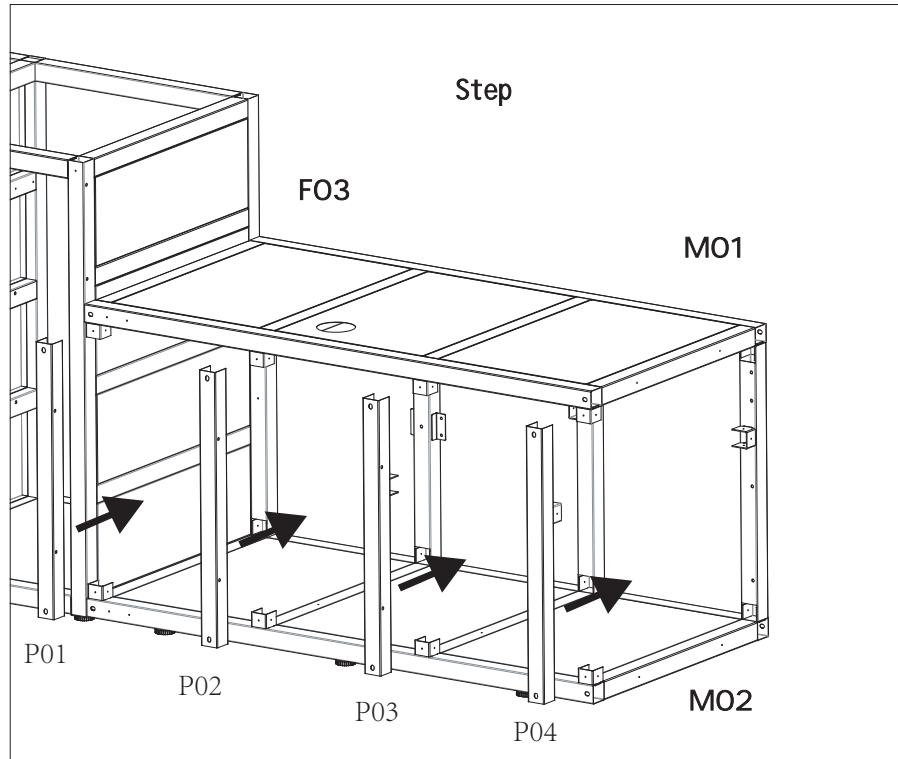
M6*16*2

1. Stand the product up.

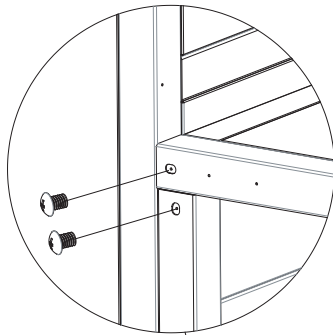
2. Install the two M6*16 bolts on the P01 and P02.

3. Attach the P01,P02,P03,P04 to the M01 and M02 by using eight M6*10 bolts, then tighten them.

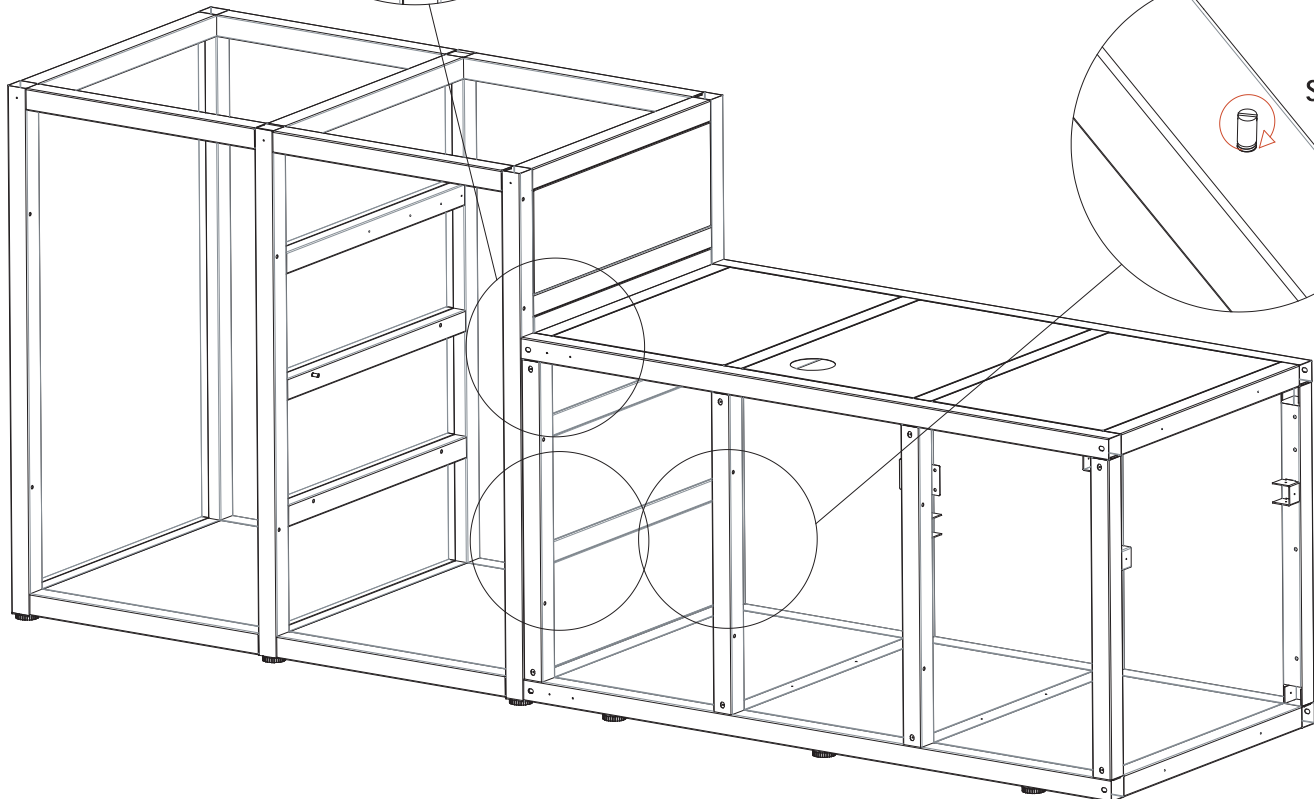
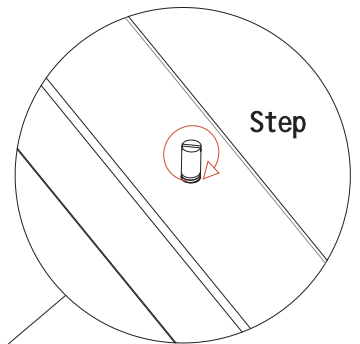
4. Attach the M01 and M02 to the F03 by using two M6*10 bolts, then tighten them.

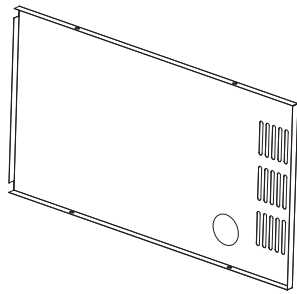


Step

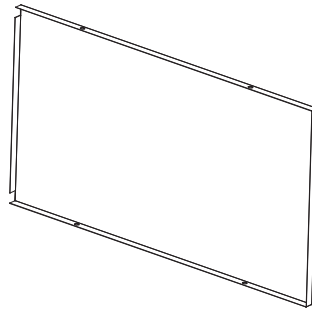


Step

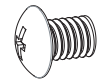




G01 Freezer cooling back panel*1

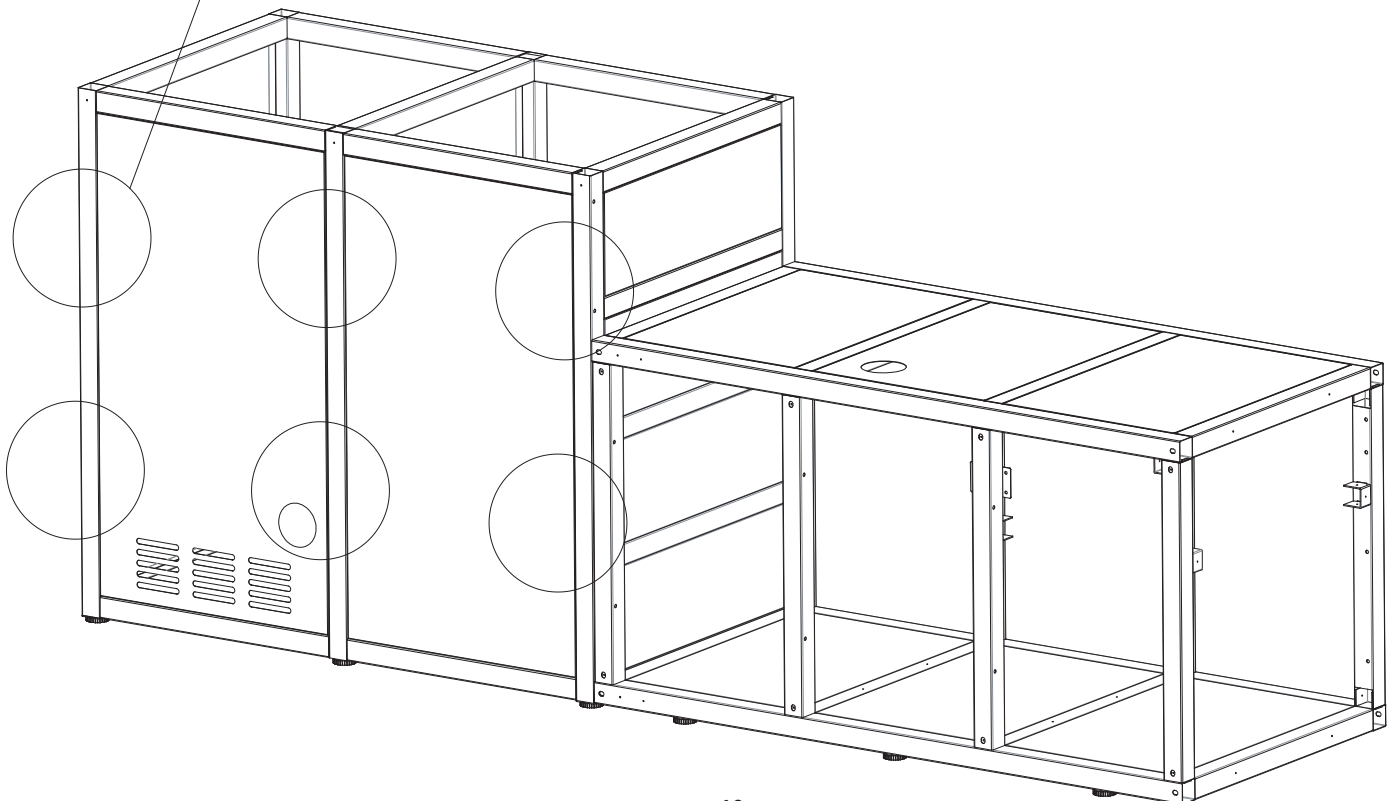
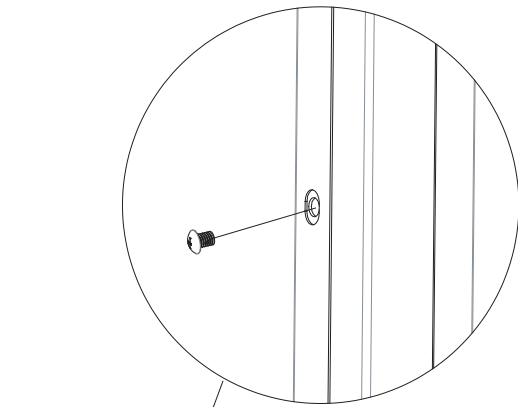
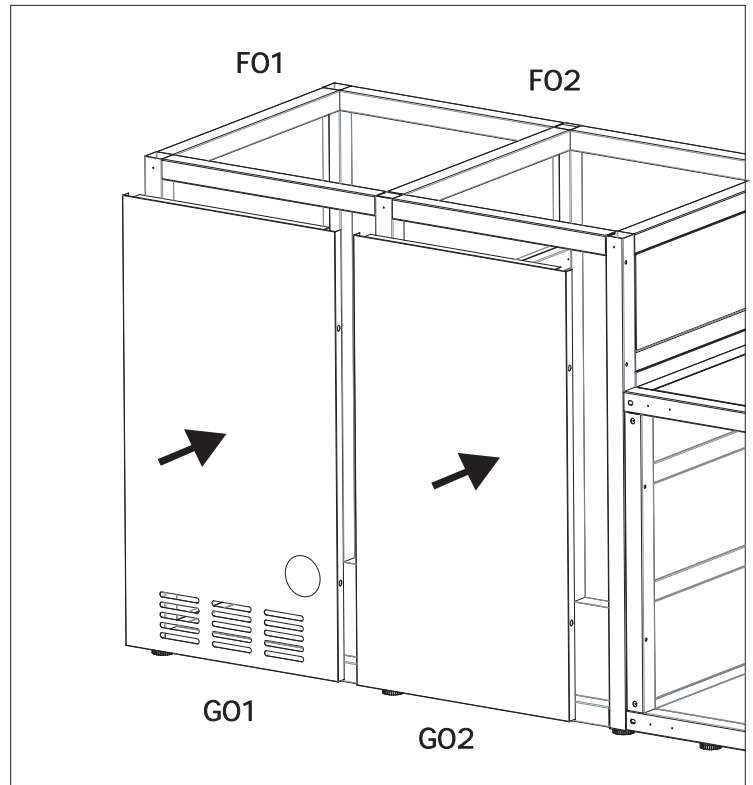


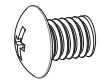
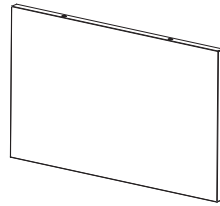
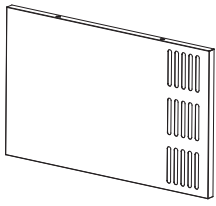
G02 Freezer back panel*1



M6*10*8

1. Attach the G01, G02 to the F01, F02 and F03 by using eight M6*10 bolts, then tighten them.



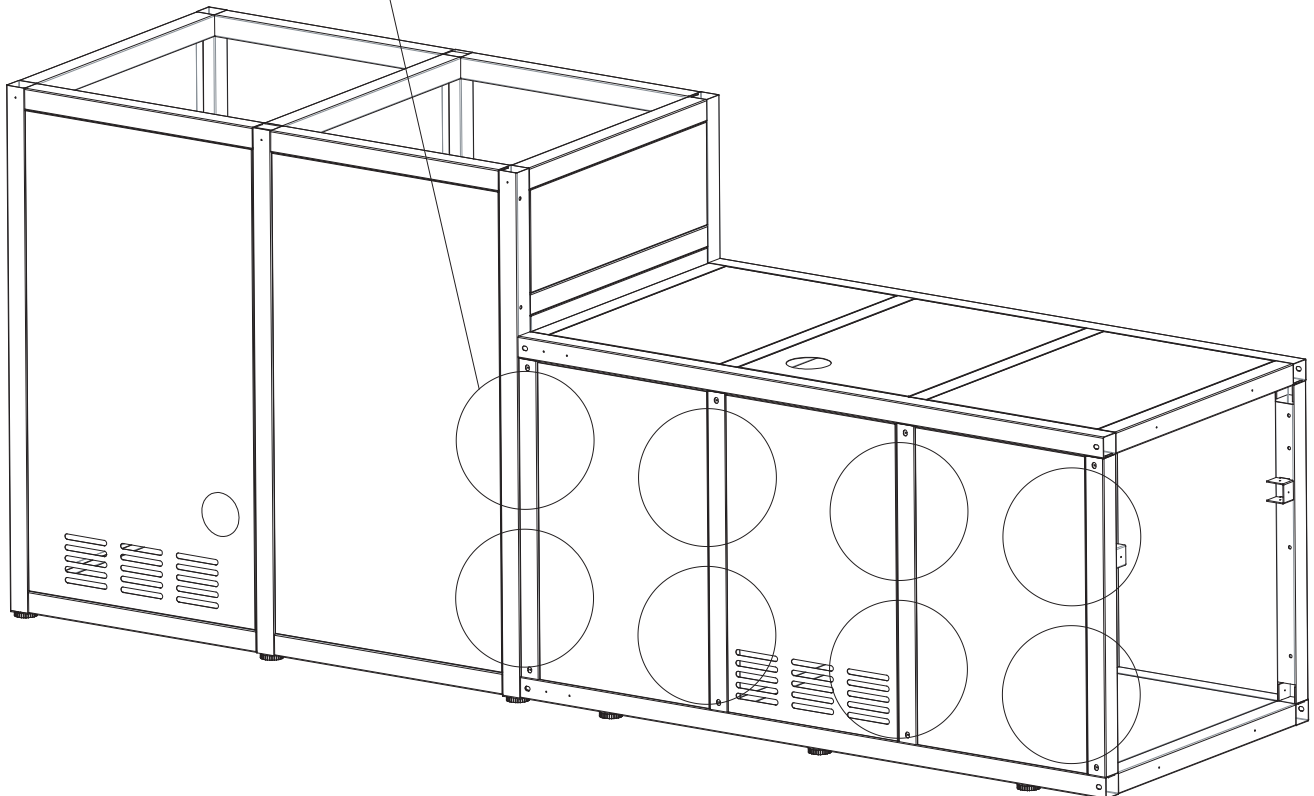
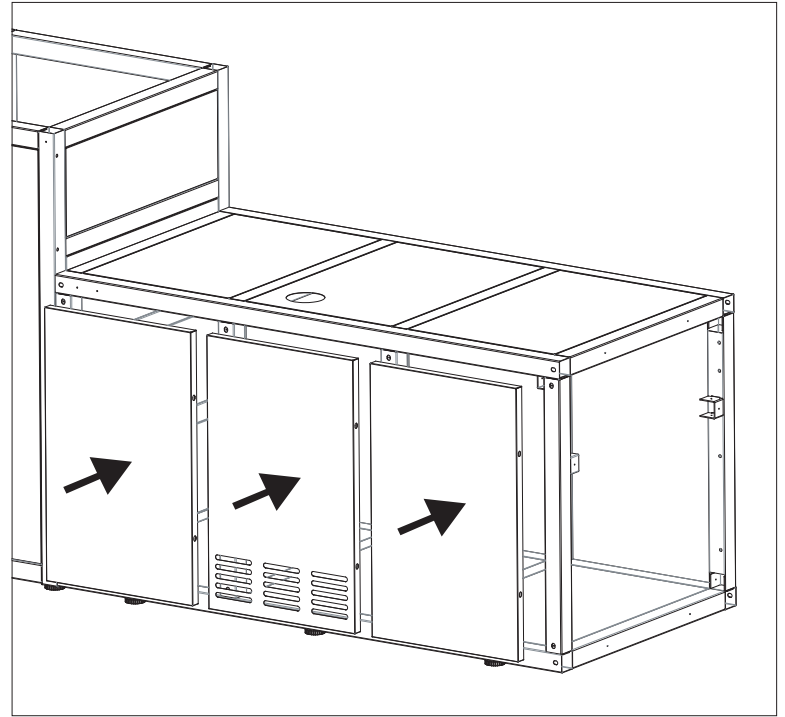
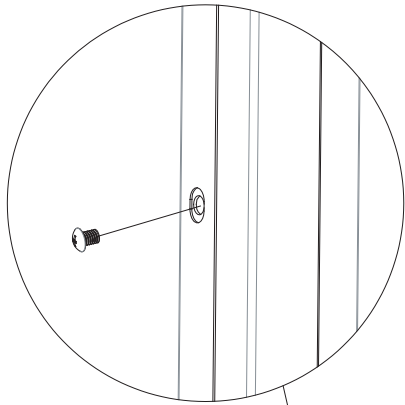


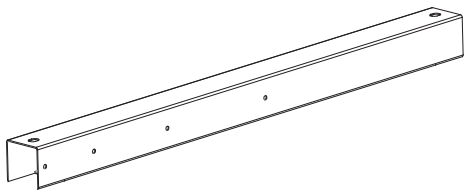
M6*10*12

O03 Barbecue cabinet cooling back panel*1

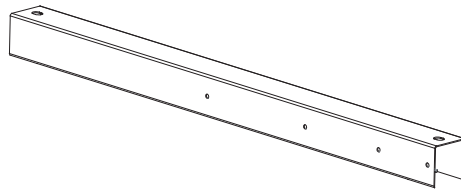
O04 Barbecue cabinet back panel*2

1. Attach the O03 and two O04 to the P01,P02,P03,P04 by using twelve M6*10 bolts, then tighten them.





P09 Barbecue cabinet support pipe*1

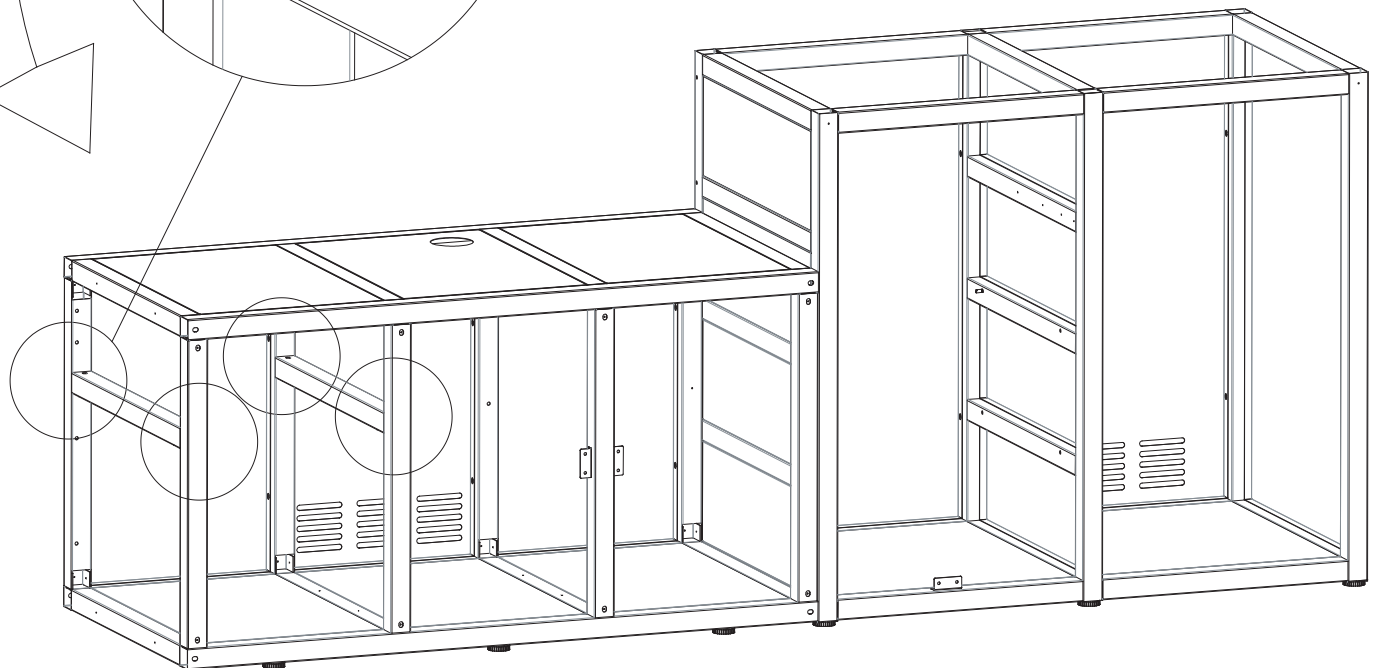
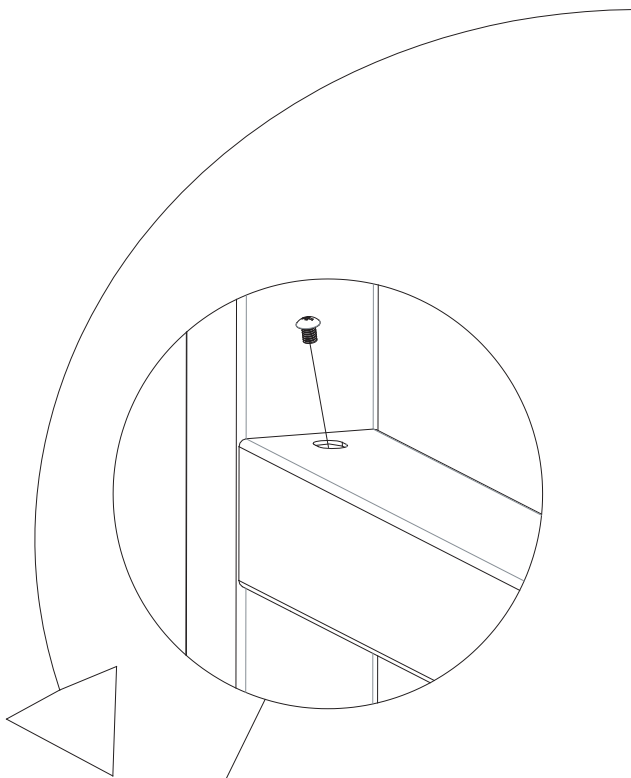
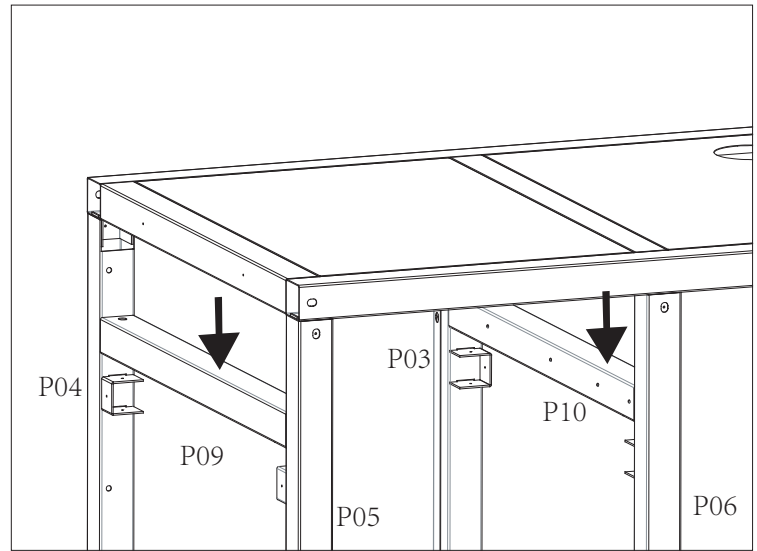


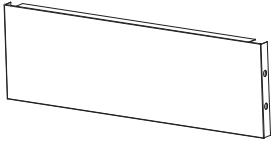
P10 Barbecue cabinet support pipe*1



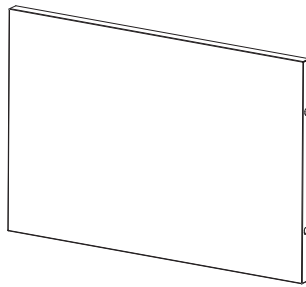
M6*10*4

1. Attach the P09 and P10 to the P04, P05, P03, P06 by using four M6*10 bolts, then tighten them.





O01 Barbecue cabinet
left panel (S)*1

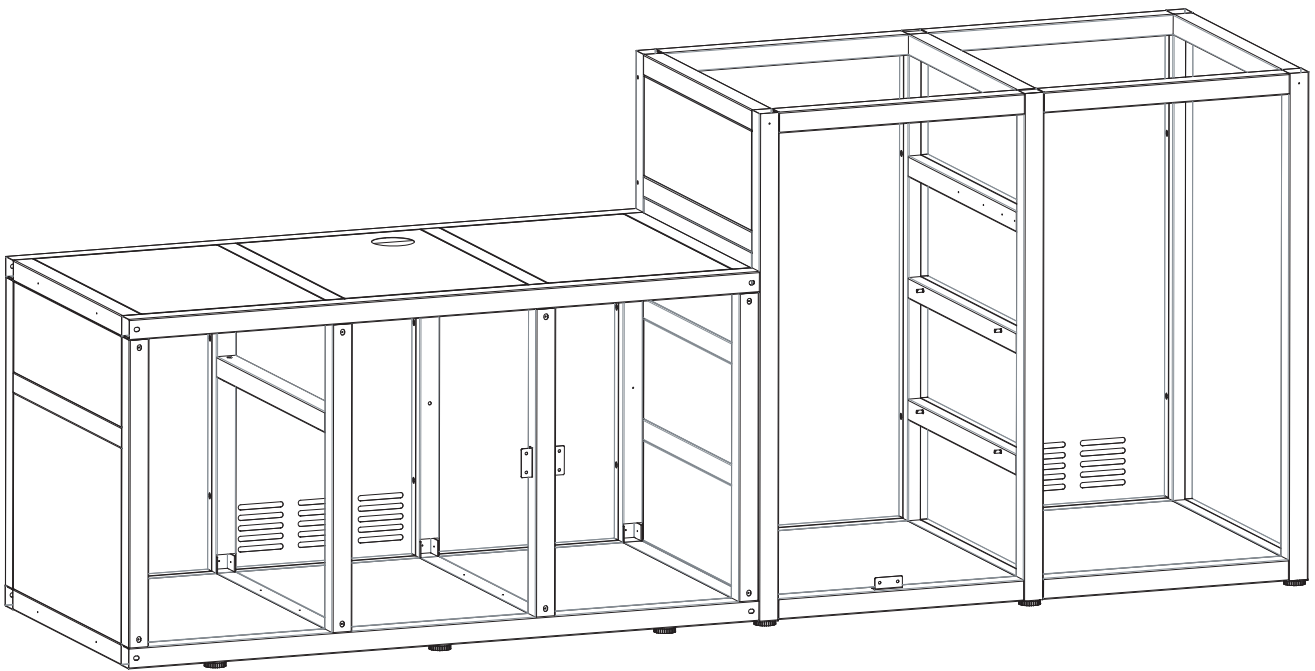
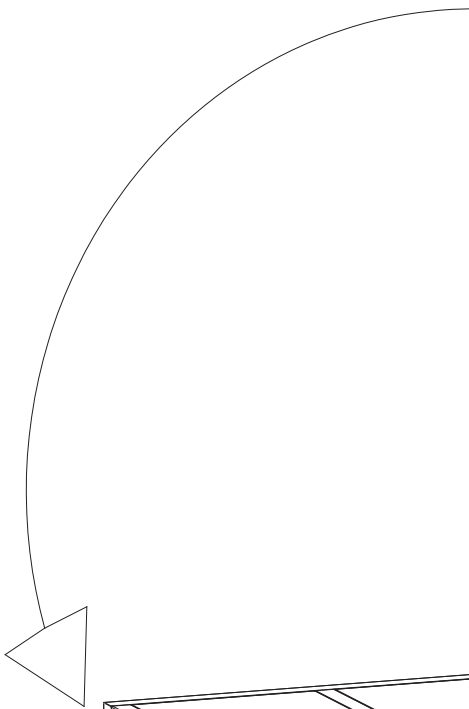
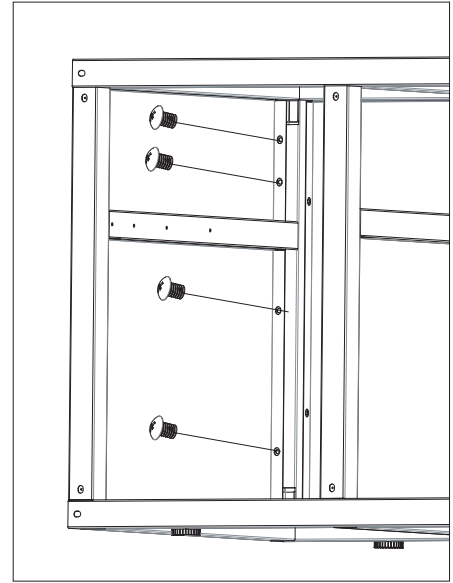
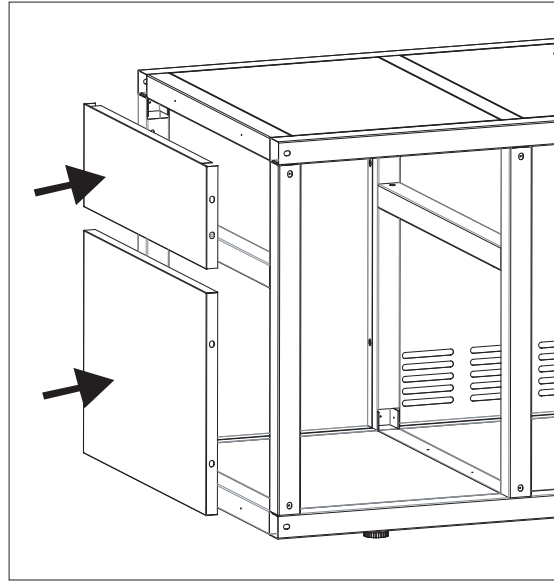


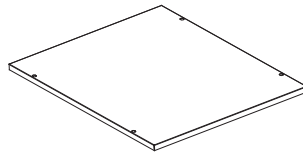
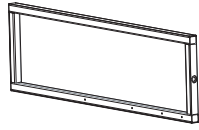
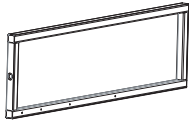
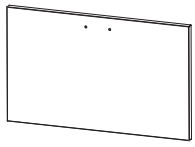
O02 Barbecue cabinet left panel(L)*1



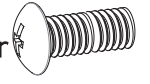
M6*10*8

1. Attach the O01 and O02 to the P04 and P05 by using eight M6*10 bolts, then tighten them.





M6*10*6



M6*25*2

J01 Freezer drawer door panel*1

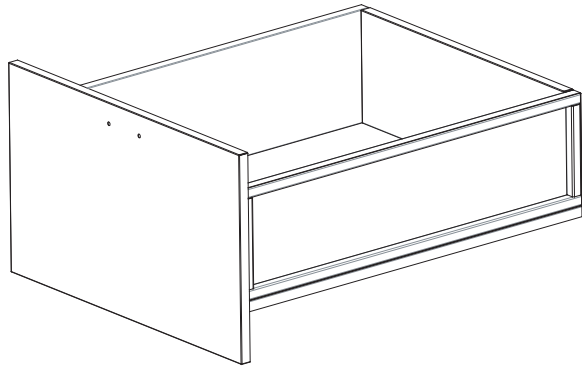
J02 Freezer drawer right panel*1

J03 Freezer drawer left panel*1

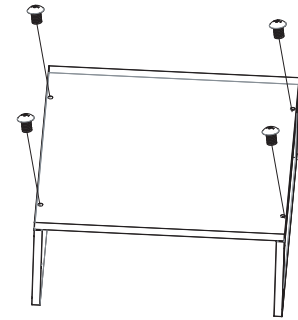
J04 Freezer drawer shelf*1

J05 Freezer drawer back panel*1

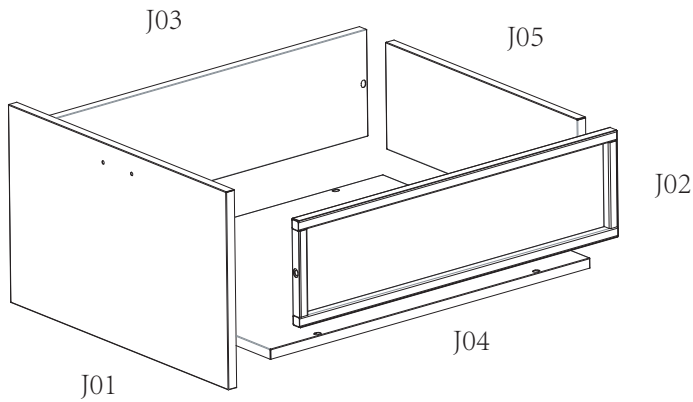
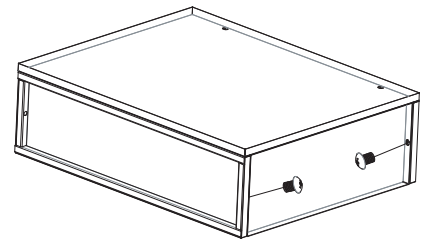
- 1.Install J02 and J03 on J04 with four M6*10 bolts
- 2.Install J05 on J02 and J03 with two M6*10 bolts
- 3.Install J02 and J03 on J01 with two M6*25 bolts



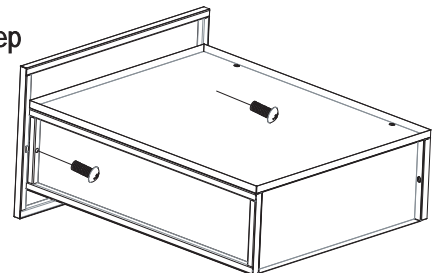
Step

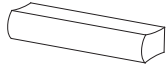


Step

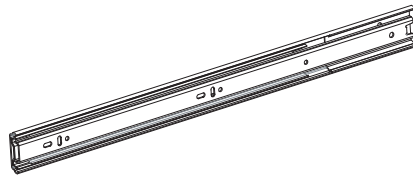


Step





Handle*1



Slideway*2



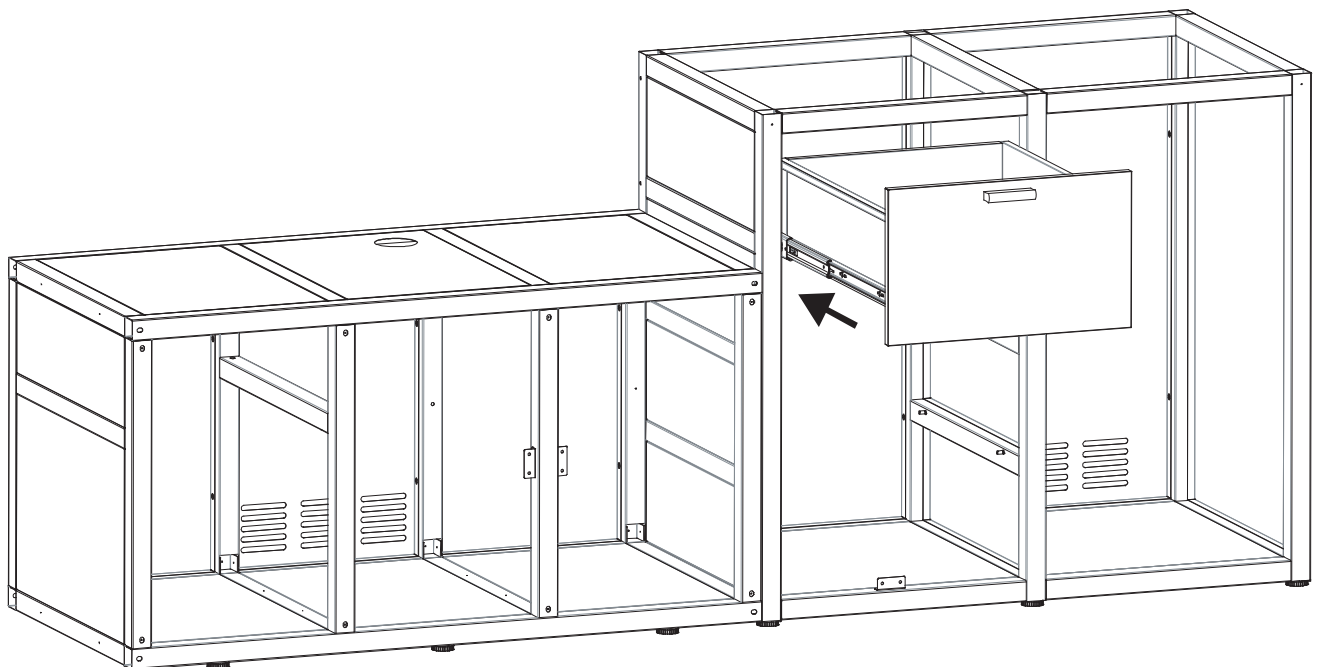
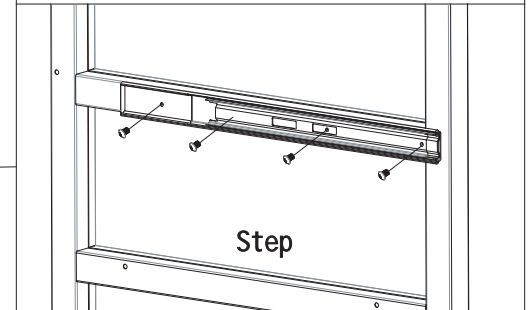
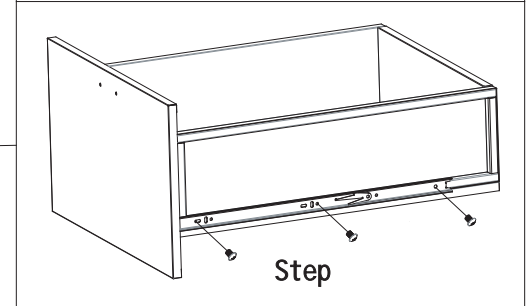
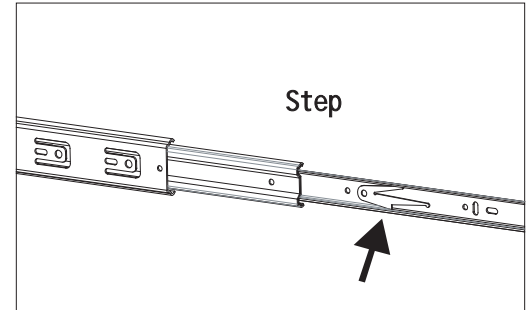
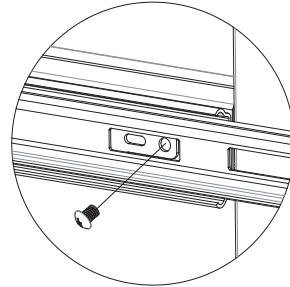
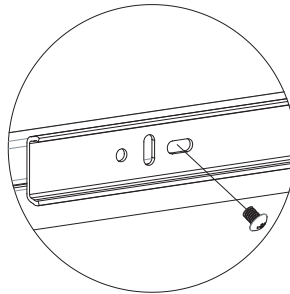
M4*8*14

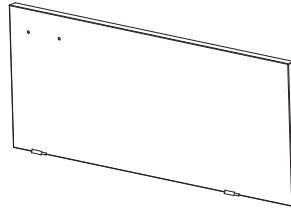
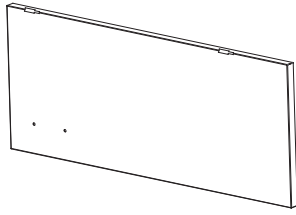
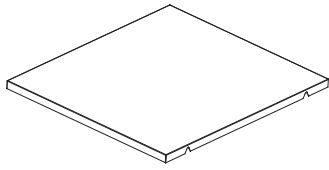


M4*4*2

1. Pull out the slideway.
2. Install the slideway on each side of J02 and J03 with six M4*8 bolts. The bolts is installed on the horizontal waist type hole.
3. Install the slideway at the position of F02 and F03 with eight M4*8 bolts. The bolts is installed on the circular hole.
4. Install the door handle on J01 with two M4*4 bolts.
5. Slowly put the drawer into the slideway.


* If the drawer gap is uneven, you can return to the previous step to loosen the J01 bolts for adjustment.





 Magnet*2

 Door handle*2

 M4*8*2
(countersunk bolt)

 M4*4*4

H02 Freezer middle shelf*2

I01 Freezer right door panel*1

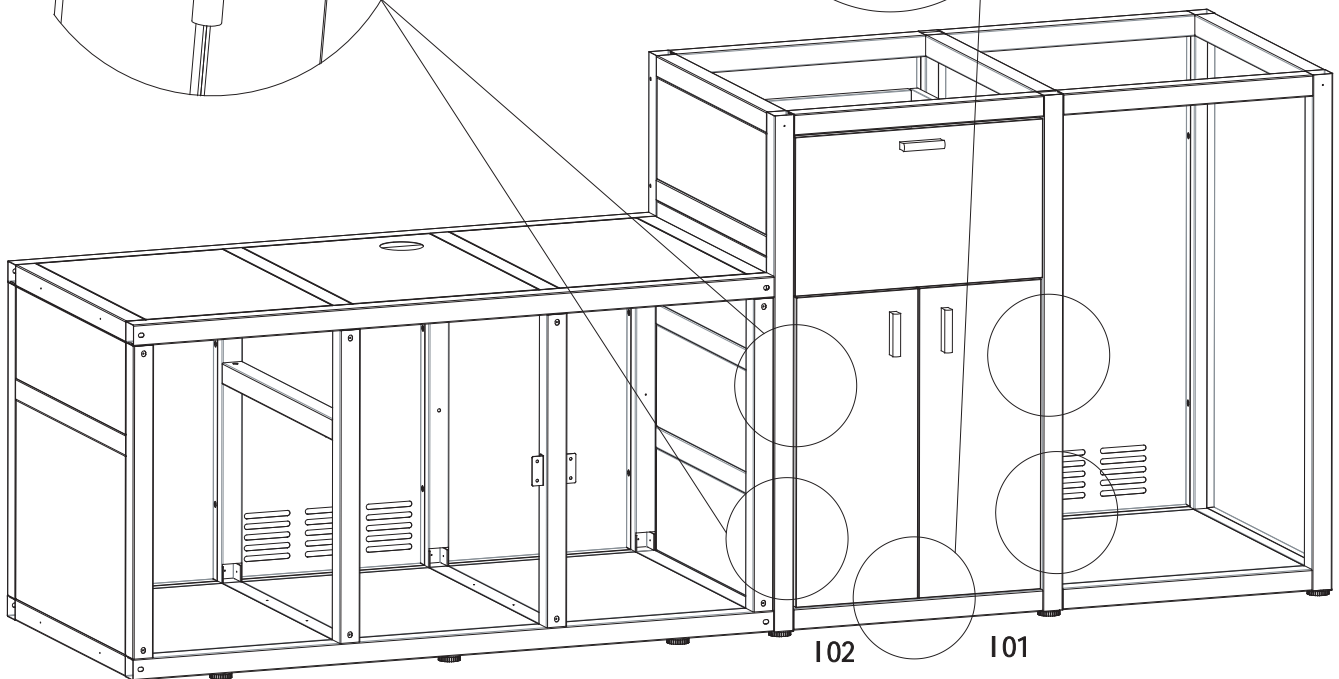
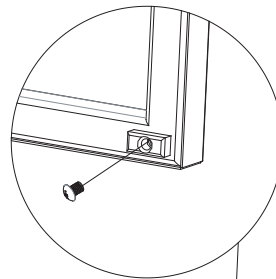
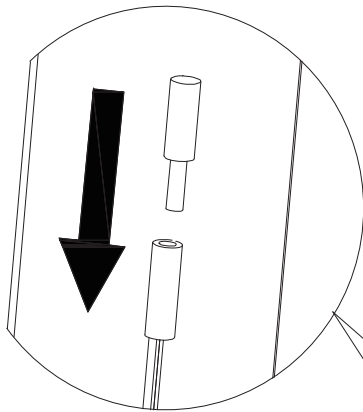
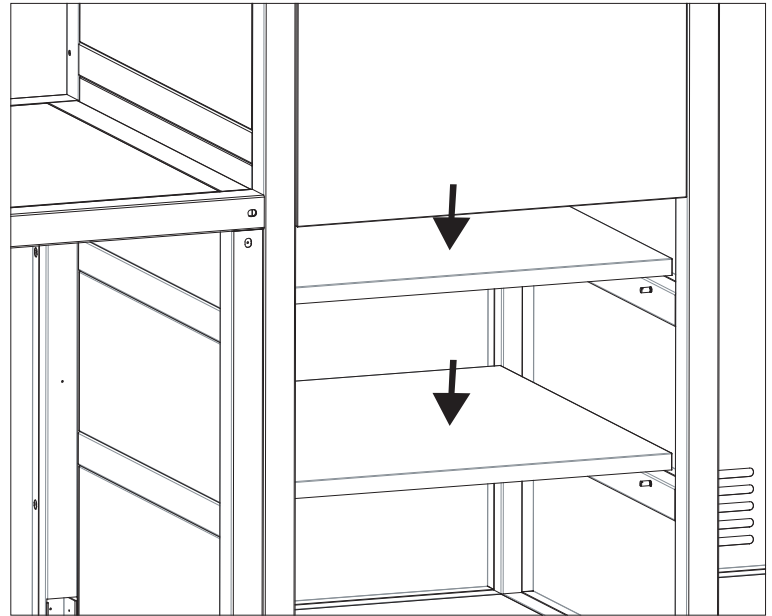
I02 Freezer left door panel*1

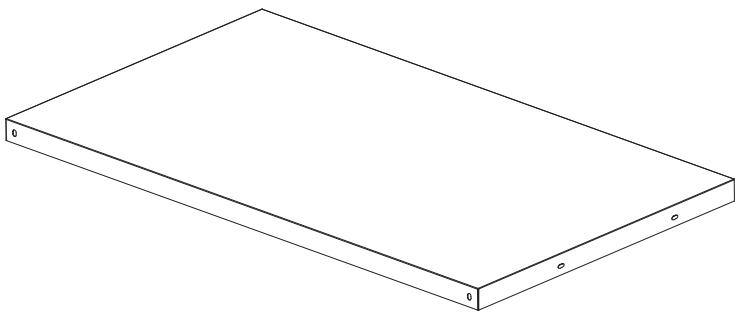
1. Install the magnet to the lower position on I01 and I02 with two M4*8 countersunk bolts as shown on the following figure.

2. Install the door handle on I01 and I02 with four M4*4 bolts.

3. Clip the H02 gap into the M6*16 bolts on F02 and F03.

4. Install the I01 and I02 on F02 and F03.





K Freezer table top *1

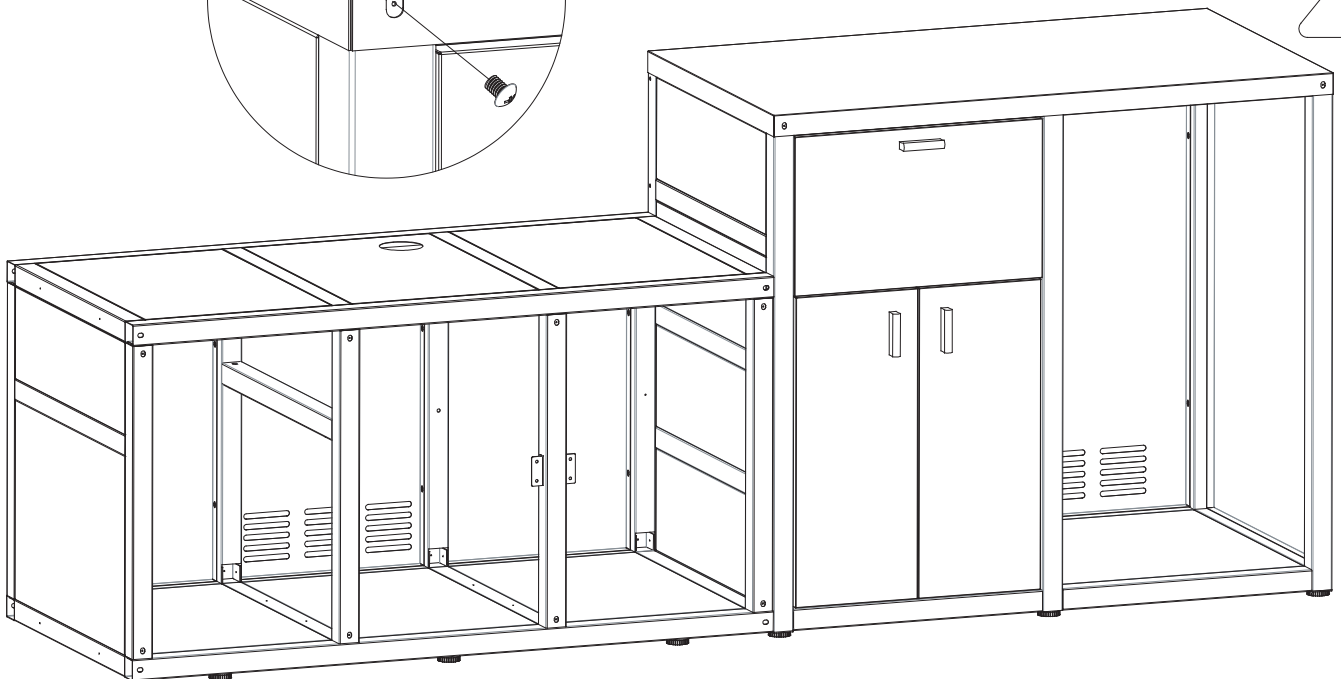
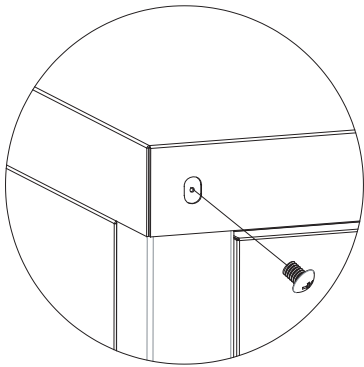
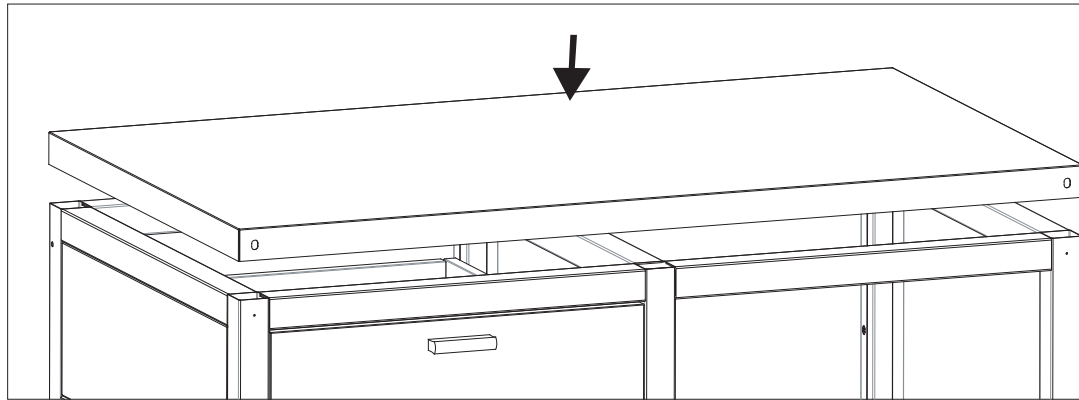


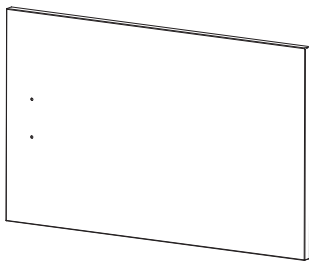
M6*10*4

1. Install the K to the figure position with four M6*10 bolts.

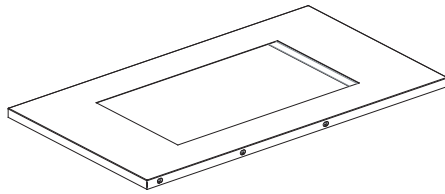


Put the hole side on the right

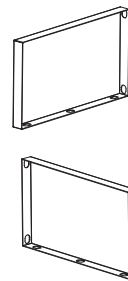




N03 Barbecue cabinet drawer door panel*1



N04 Barbecue cabinet trash holder*1

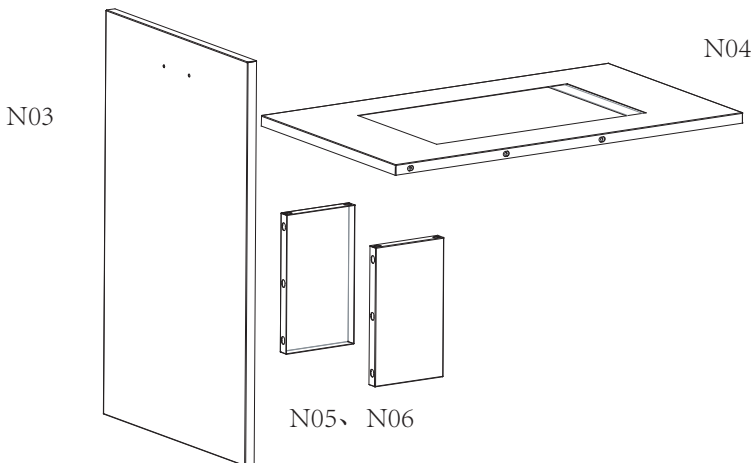
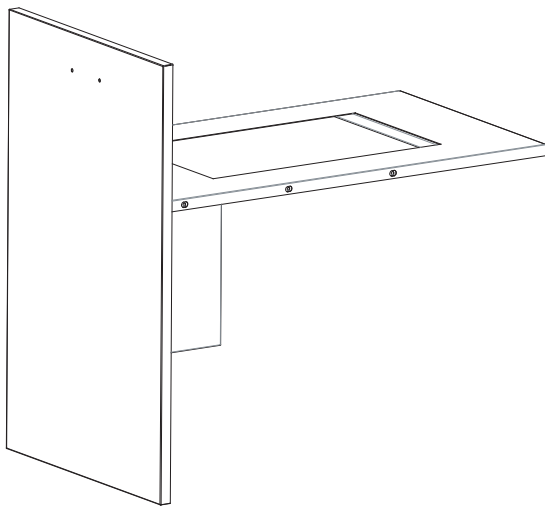
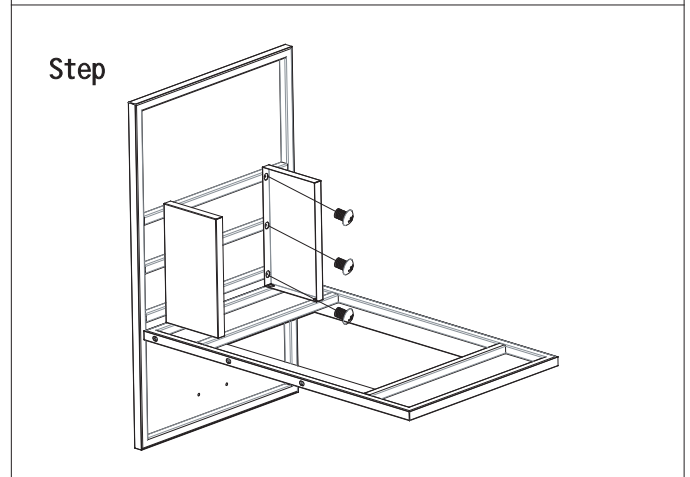
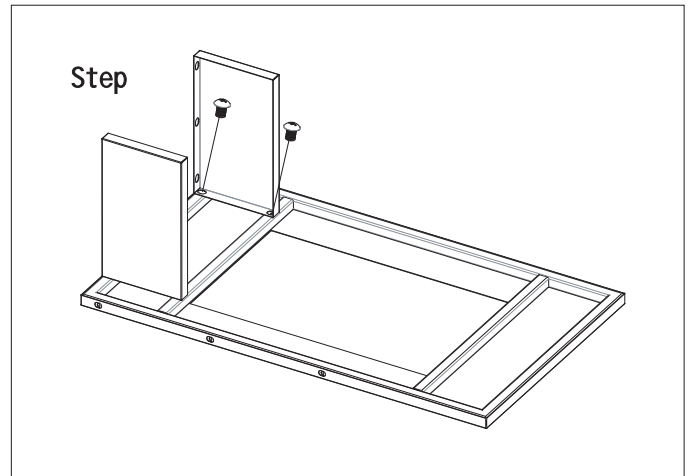


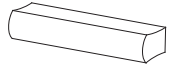
N05/N06 Barbecue cabinet drawer connector box*2



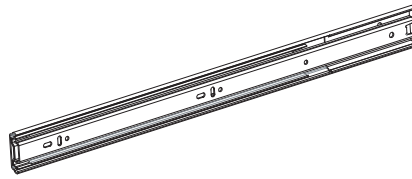
M6*10*10

- 1.Install N05 and N06 on N04 with four M6*10 bolts
- 2.Install N05 and N06 on N03 with six M6*10 bolts





Door handle *1



Slideway*2



M4*8*14



M4*4*2

1.Pull out the slideway.

2.Install the slideway on each side of NO4 with six M4*8 bolts.

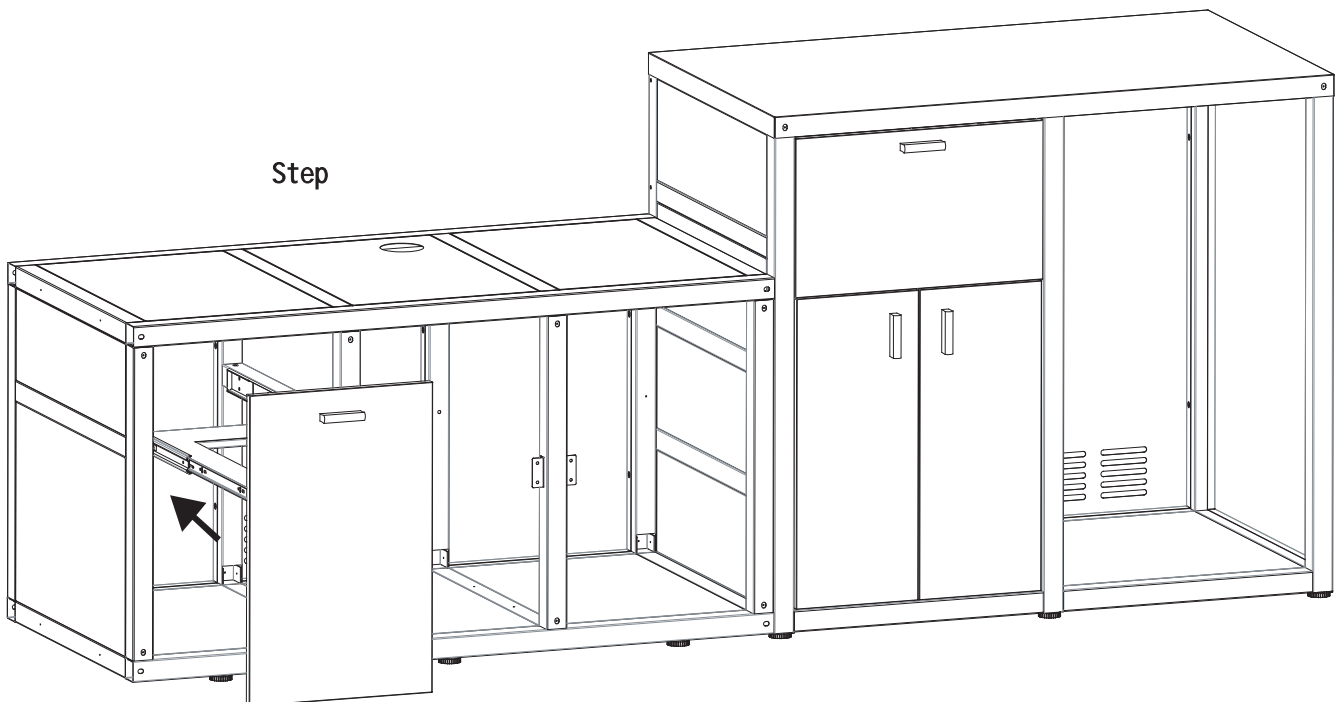
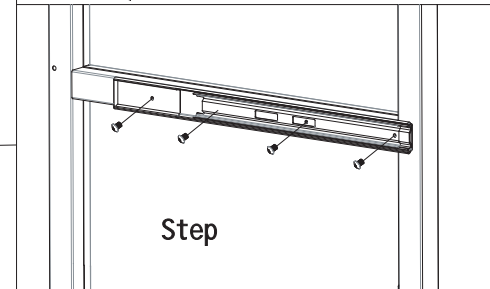
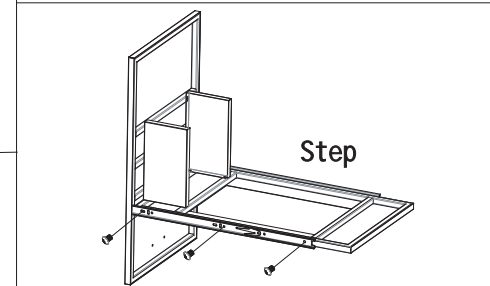
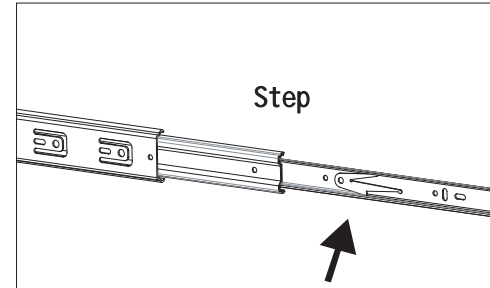
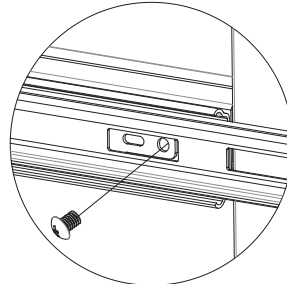
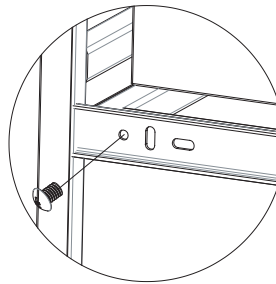
The bolts is installed on the circular hole.

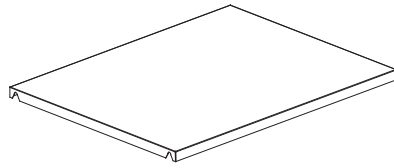
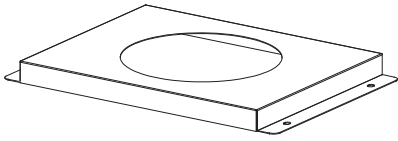
3.Install the slideway at the position of P09 and P10 with eight M4*8 bolts.The bolts is installed on the circular hole.

4.Install the door handle on NO3 with two M4*4 bolts.

5.Slowly put the drawer into the slideway.

*In case of uneven drawer gap,please return to the previous step to loose bolts,which are already installed on NO3 for adjustment.

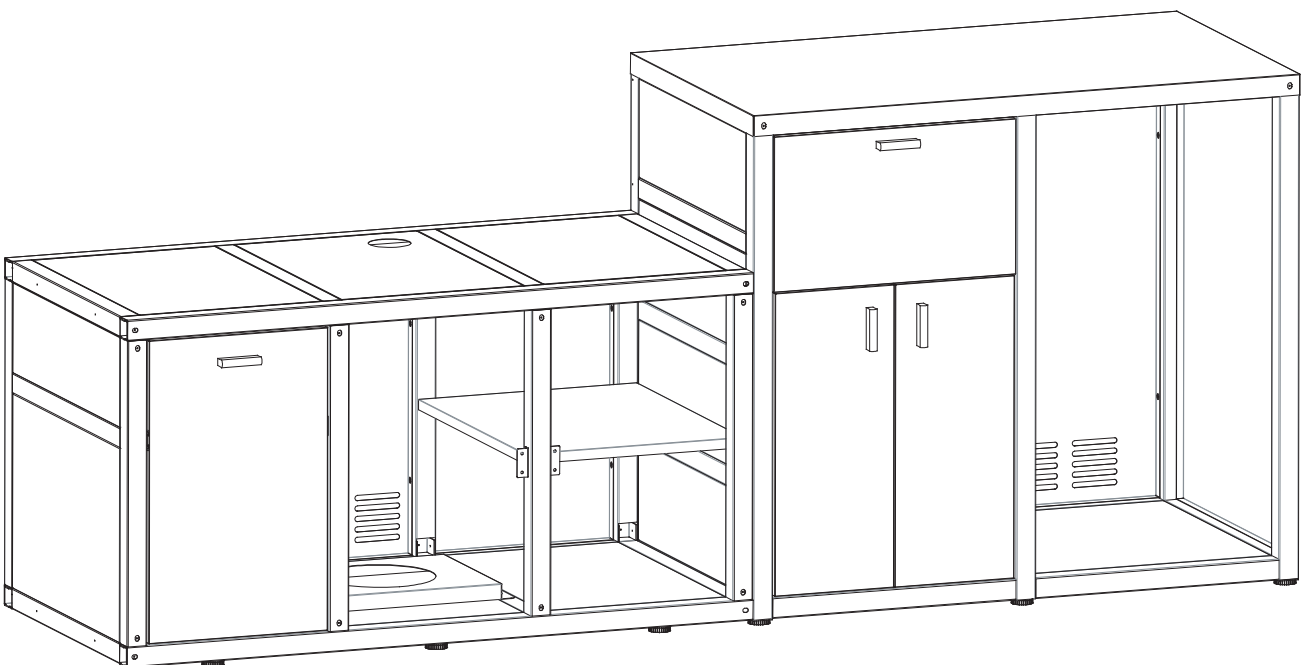
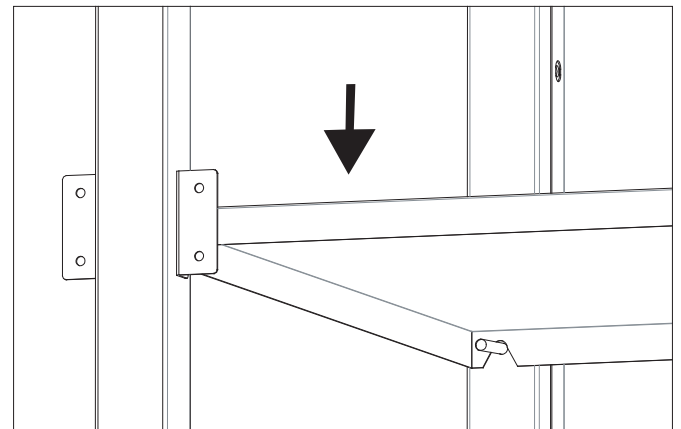
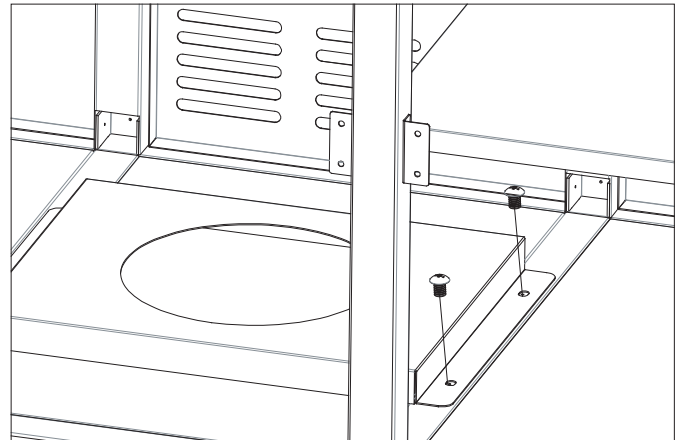


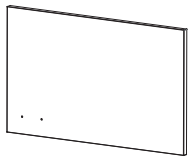


M03 Gas tank support*1

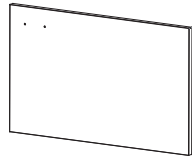
Q01 Barbecue cabinet middle shelf*1

- 1.install the M03 on M02 with four M6*10 bolts.
- 2.Clip Q01 gap into M6*16 bolts on P01,P02,P07 and P08.





N01 Barbecue cabinet
right door panel*1



N02 Barbecue cabinet
left door panel*1



magnet *2



door handle *2



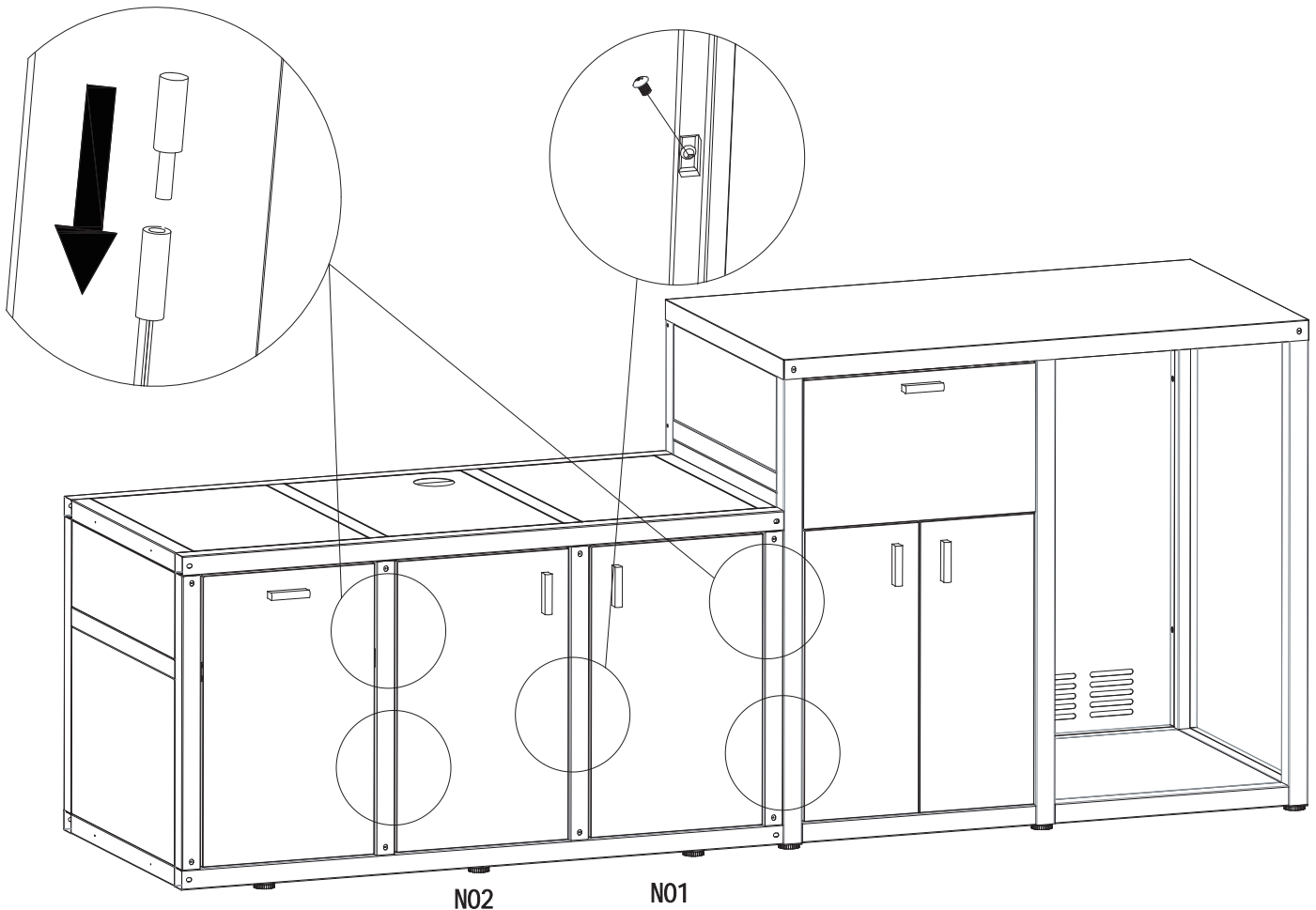
M4*8*2 (countersunk bolt)

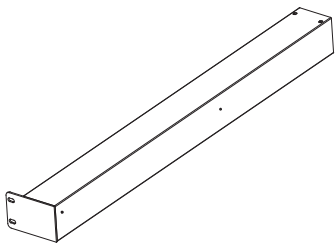


M4*4*4

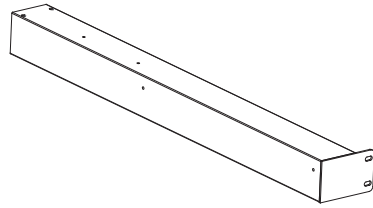
- 1.Install the magnet to the center position on N01 and N02 with two M4*8 countersunk bolts as shown on the following figure.
- 2.Install the door handle on N01 and N02 with four M4*4 bolts.
- 3.Install N01 and N02 on P08 and P06.

If the door does not close properly or is uneven in height, you can make appropriate adjustments to the foot pad.

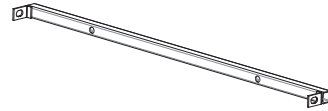




A01 Bottom left front leg*1



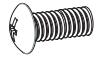
B01 Bottom left back leg*1



W03 Connector pipe*2

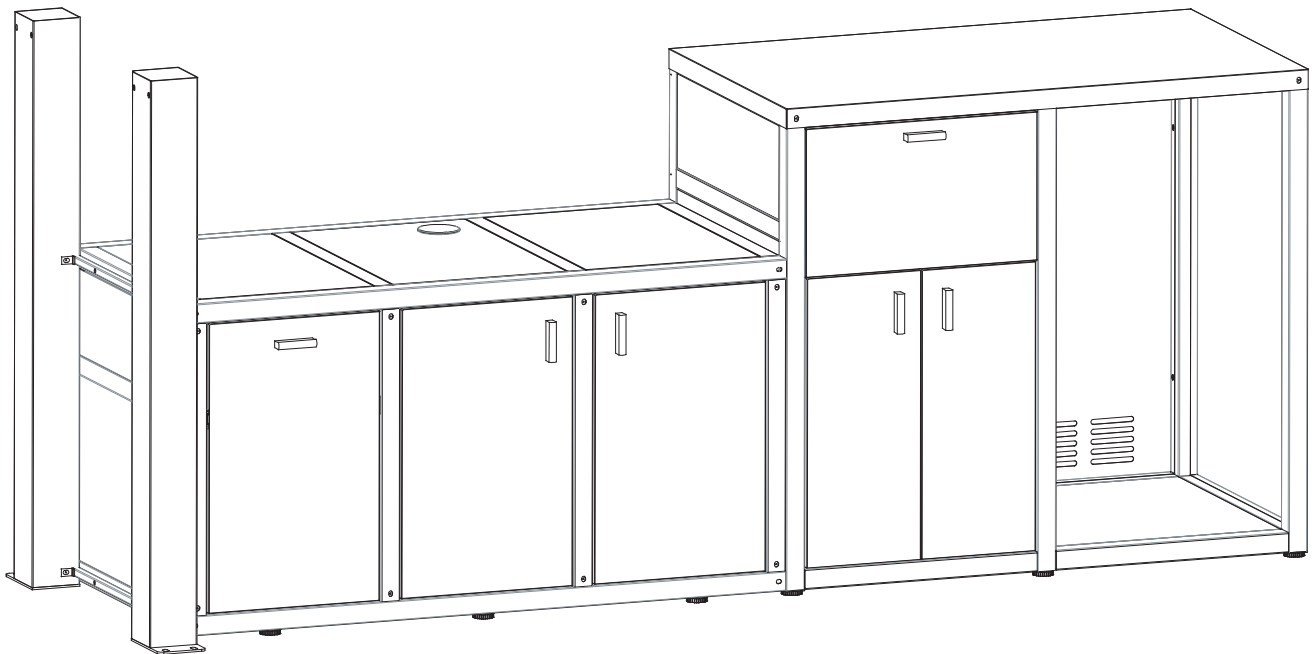
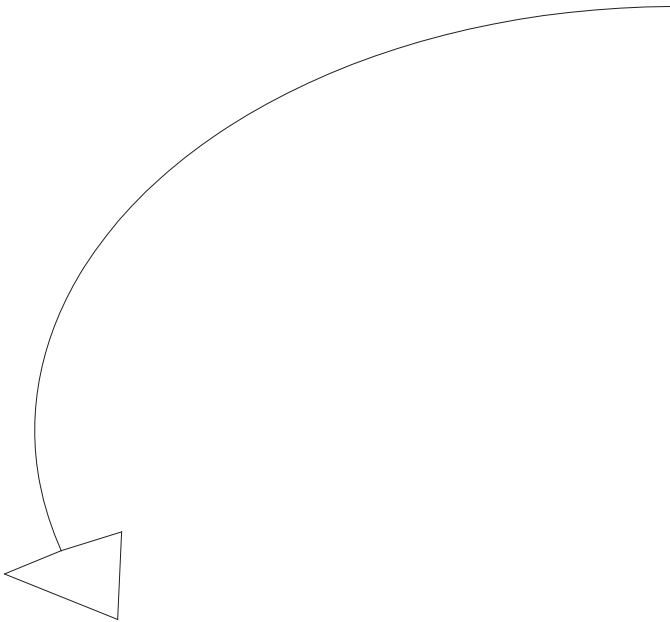
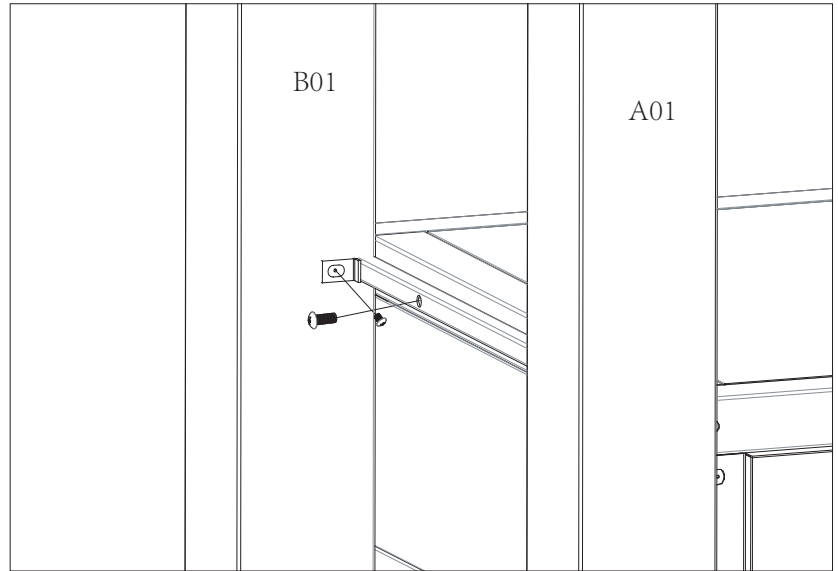


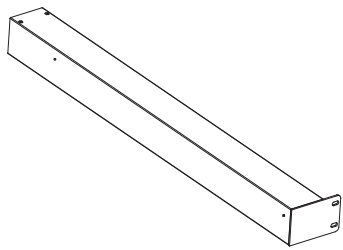
M6*10*4



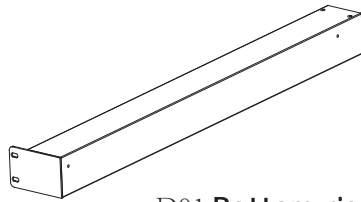
M6*25*4

1. Place A01 and B01 on the shown position
2. Install W03 on A01 and B01 with four M6*10 bolts.
3. Install W03 on M01 and M02 with four M6*25 bolts.

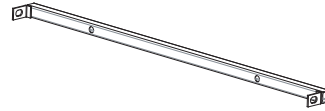




C01 Bottom right front leg*1



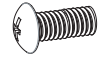
D01 Bottom right back leg*1



W03 Connector pipe*2

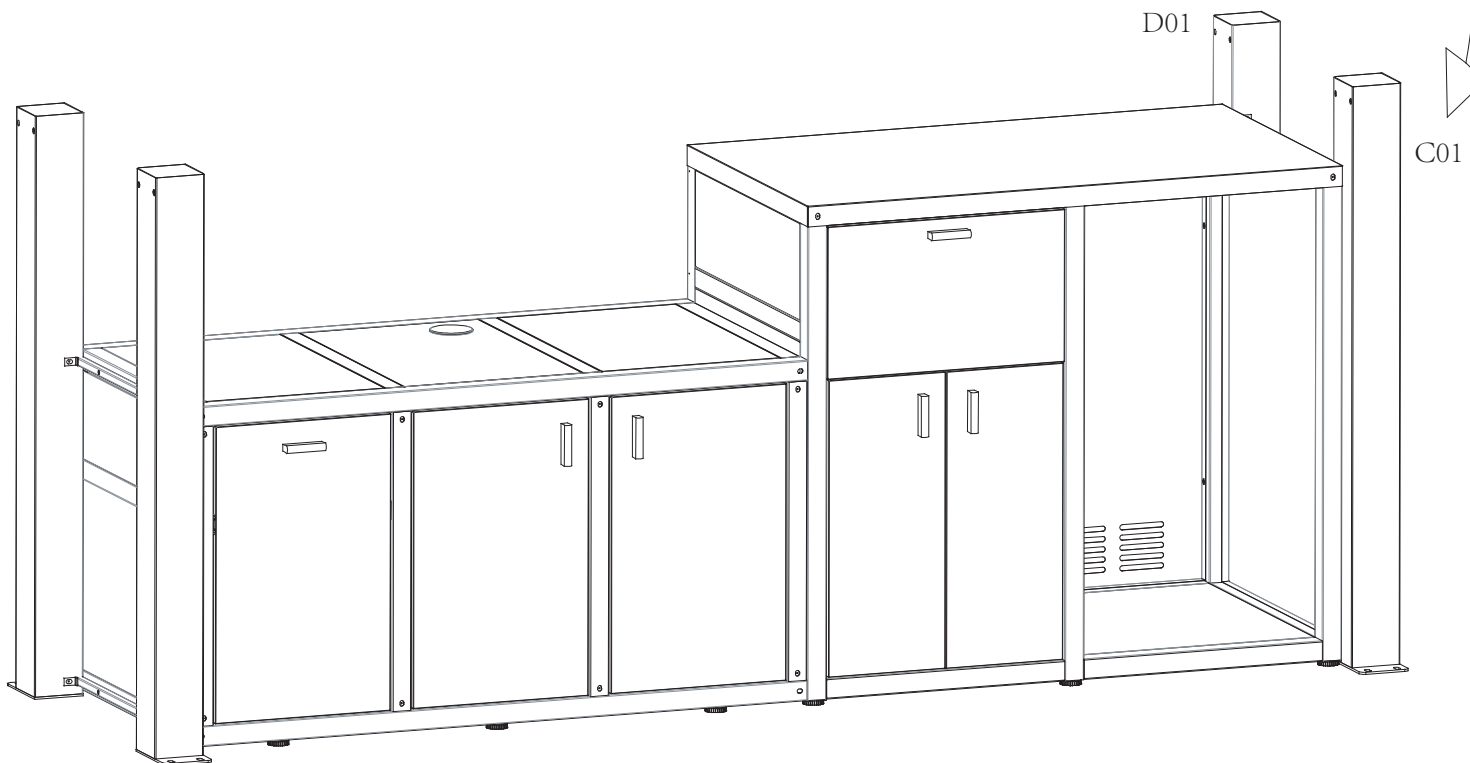
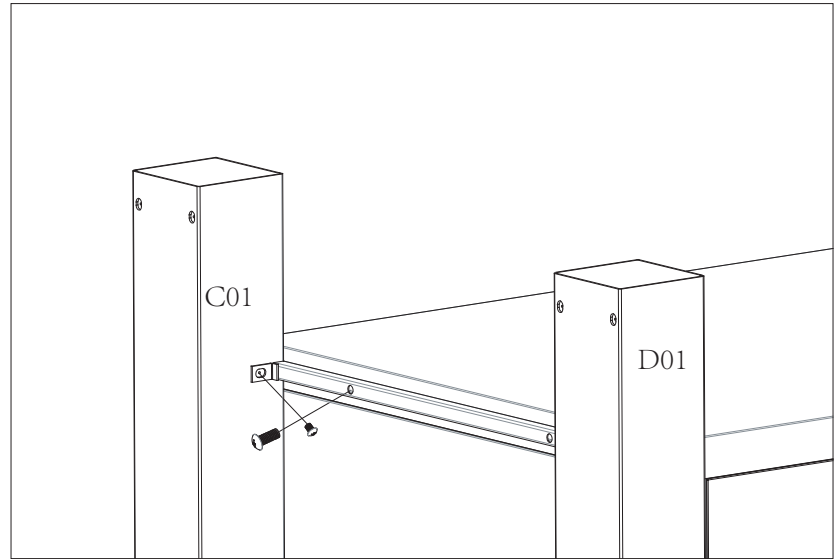


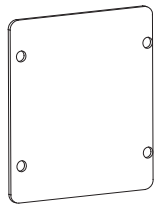
M6*10*4



M6*25*4

1. Place C01 and D01 on the shown position.
2. Install W03 on C01 and D01 with four M6*10 bolts.
3. Install W03 on F01 with four M6*25 bolts.

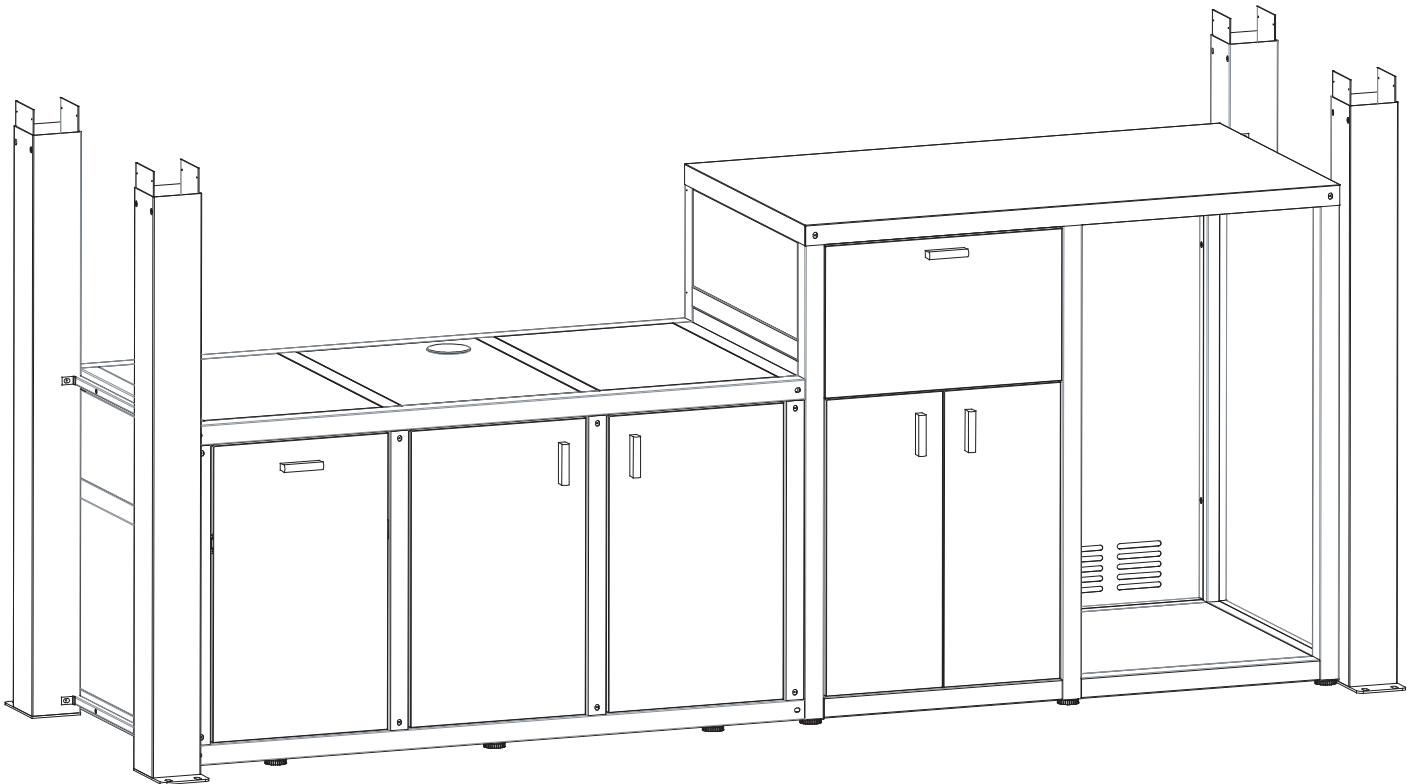
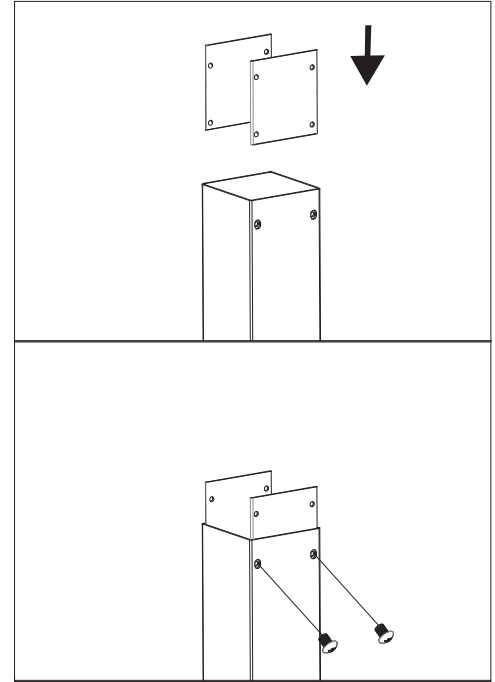


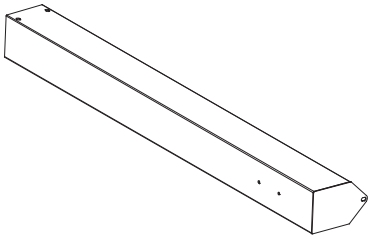


M6*10*16

E Pin connector*8

1. Install the E on A01, B01, C01, and D01 with the sixteen M6*10 bolts





A02 Upper left front leg*1



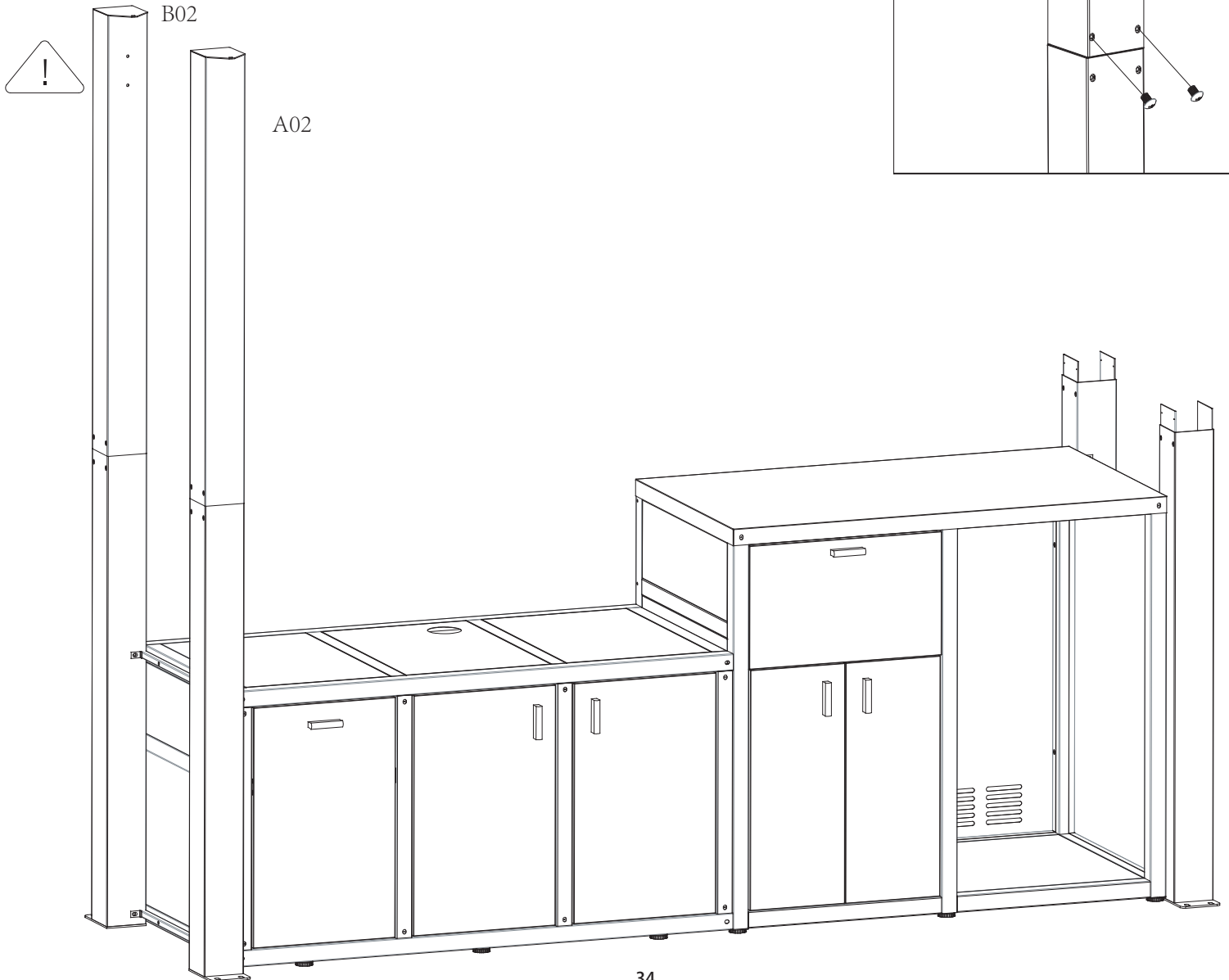
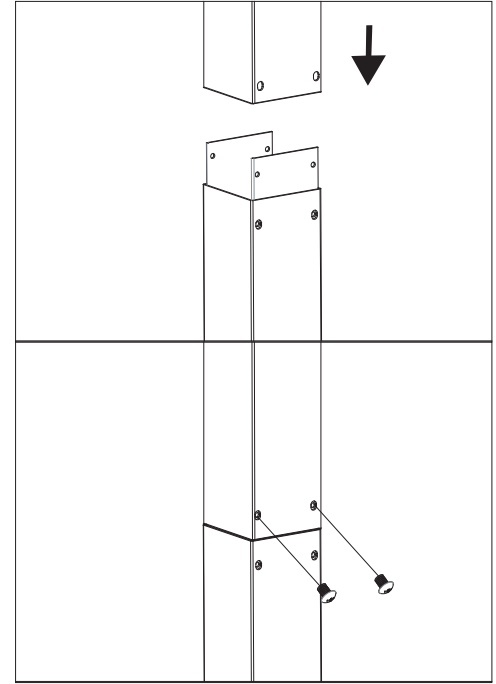
B02 Upper left back leg*1

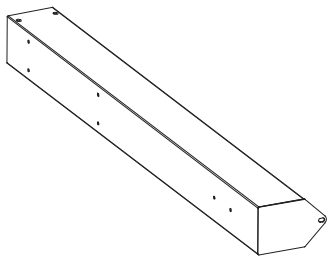


M6*10*8

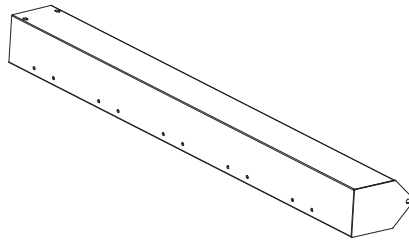
- 1.Insert A02 and B02 into A01 and B01.
- 2.Lock A01, B01 and A02, B02 with eight M6*10 bolts.

Attention : the hole facing side.

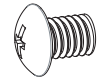




C02 Upper right front leg*1



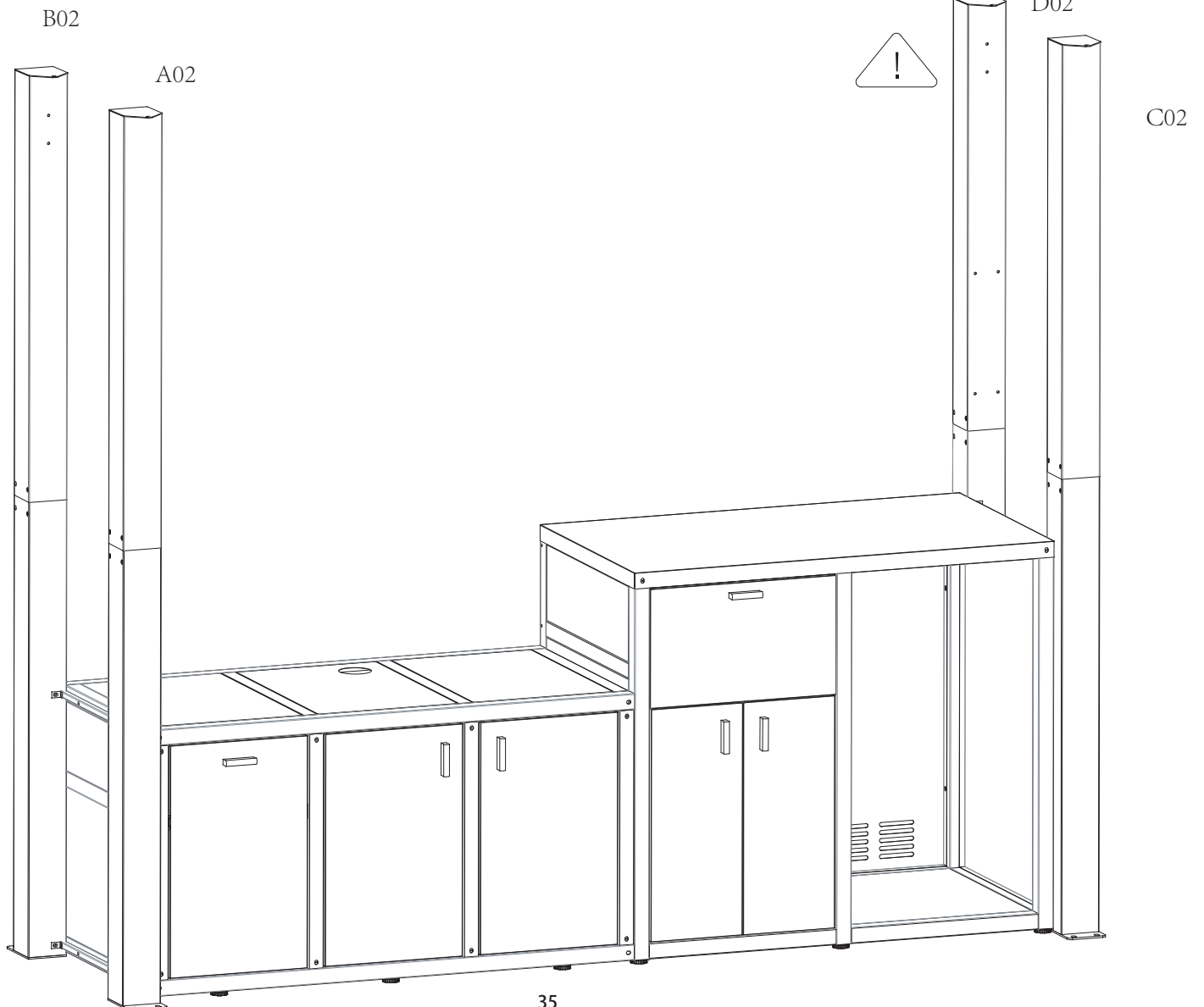
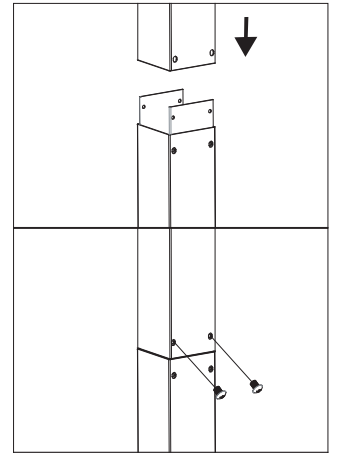
D02 Upper right back leg*1

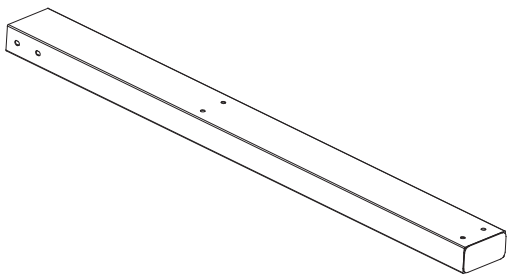


M6*10*8

- 1.Insert C02 and D02 into C01 and D01.
- 2.Lock C02,D02 and C01,D01 with eight M6*10 bolts.

Attention: the hole facing side.



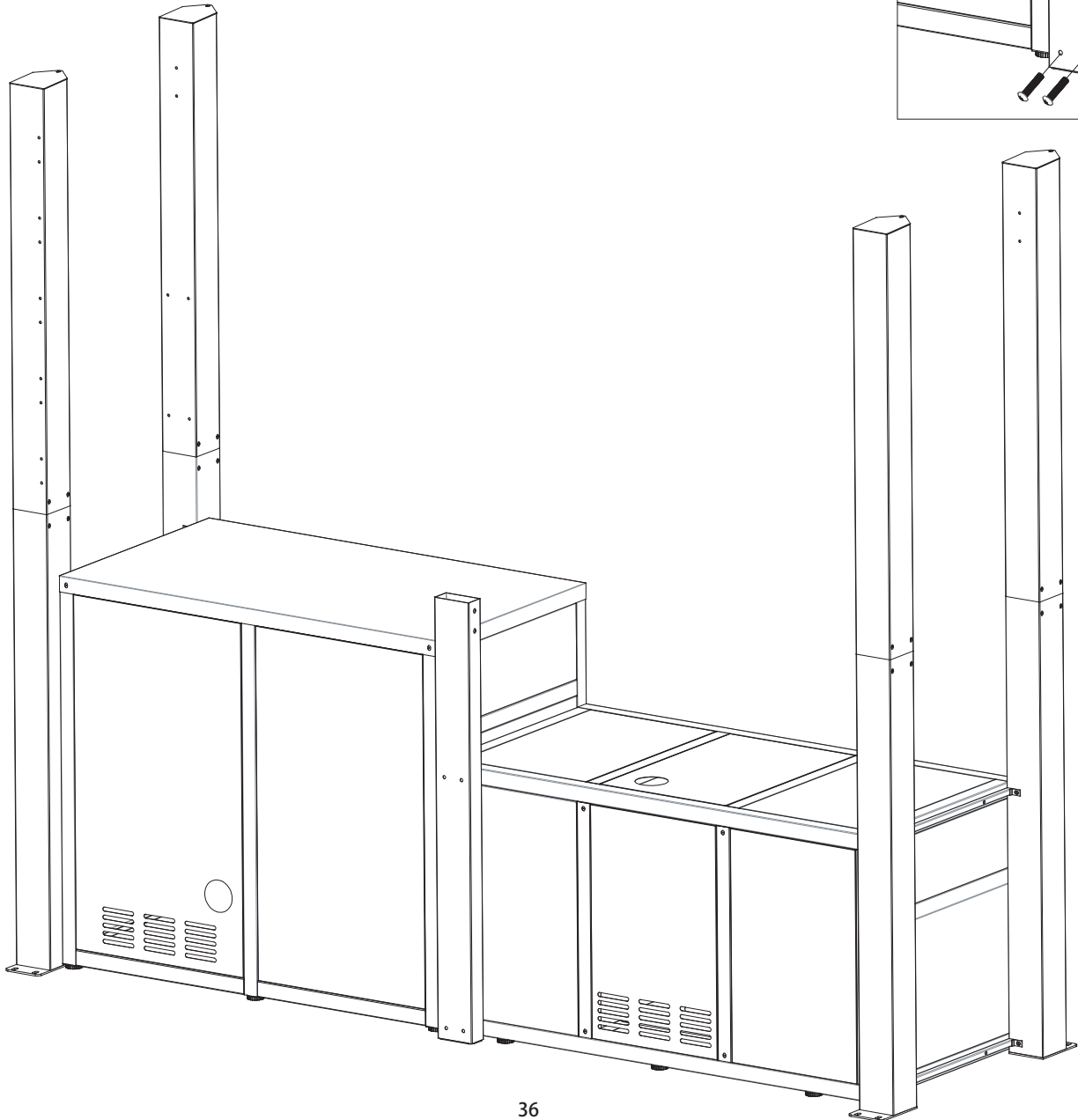
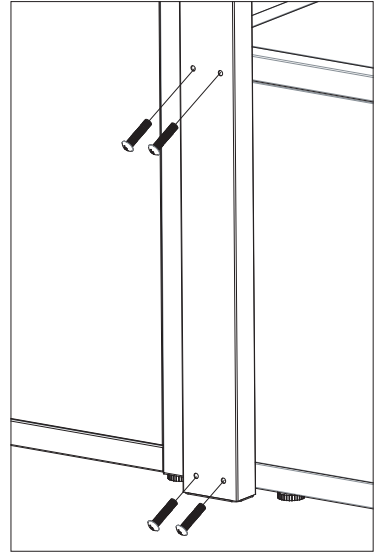


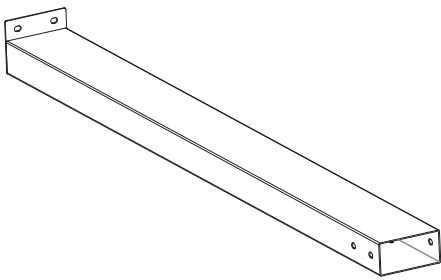
R01 Bottom upright post*1



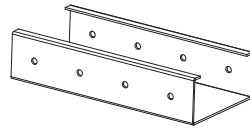
M6*60*4

1. Install R01 on M01 and M02 with four M6*60 bolts.

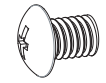




R02 Upper upright post*1



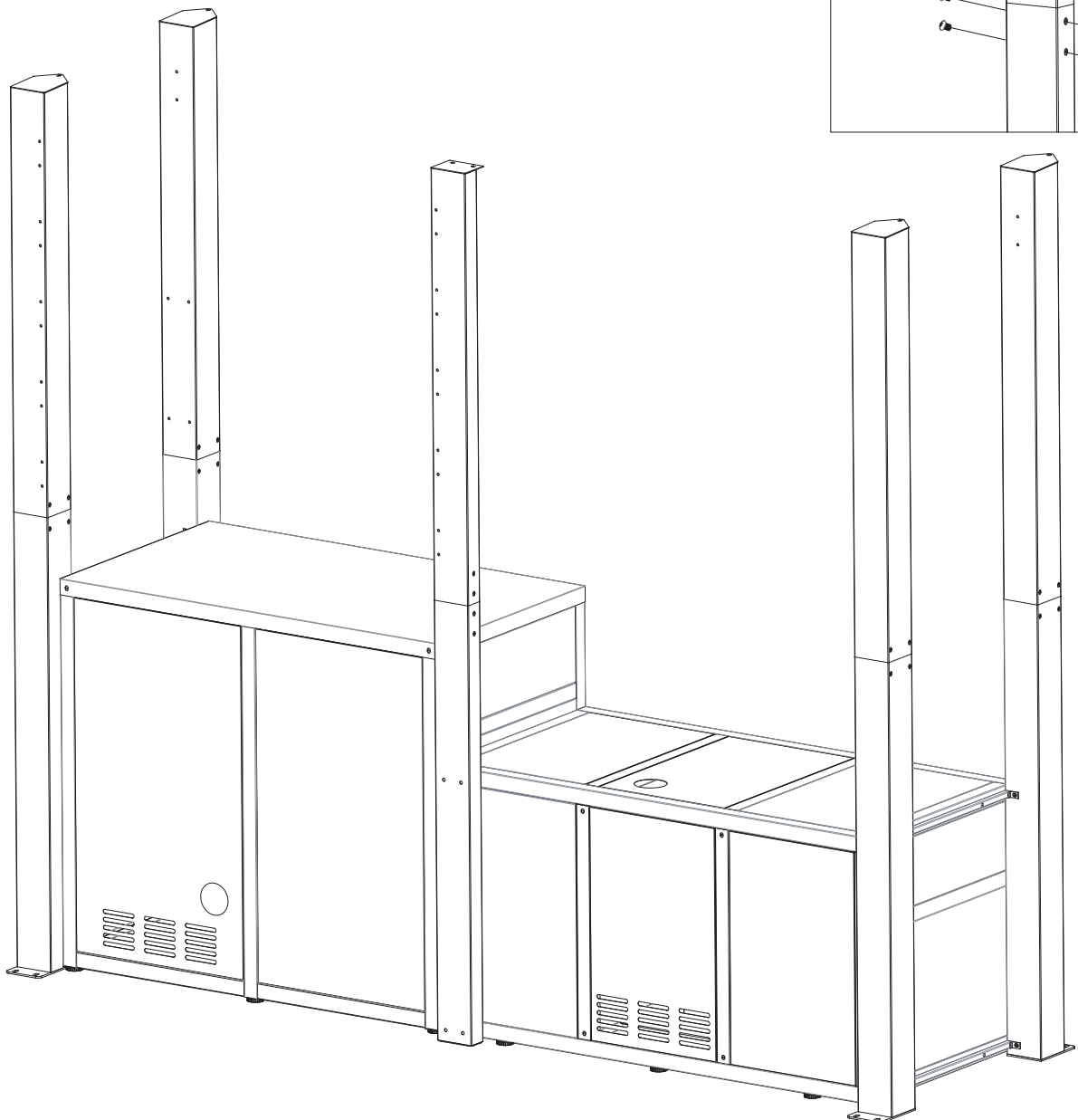
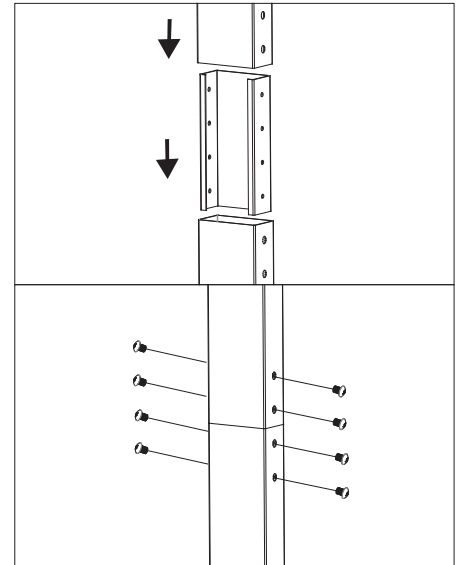
R03 Upright post connector*1

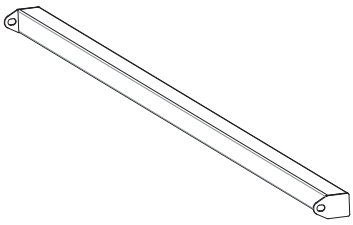


M6*10*8

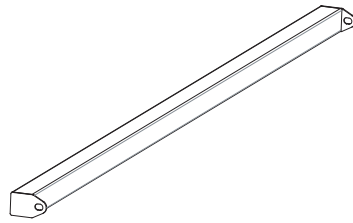
- 1.Insert R03 into R01 and lock it with the four M6*10 bolts.
- 2.Insert R02 into R03 and lock it with the four M6*10 bolts.

Attention:the R02 hole facing side.





U01 Top right connector pipe*1

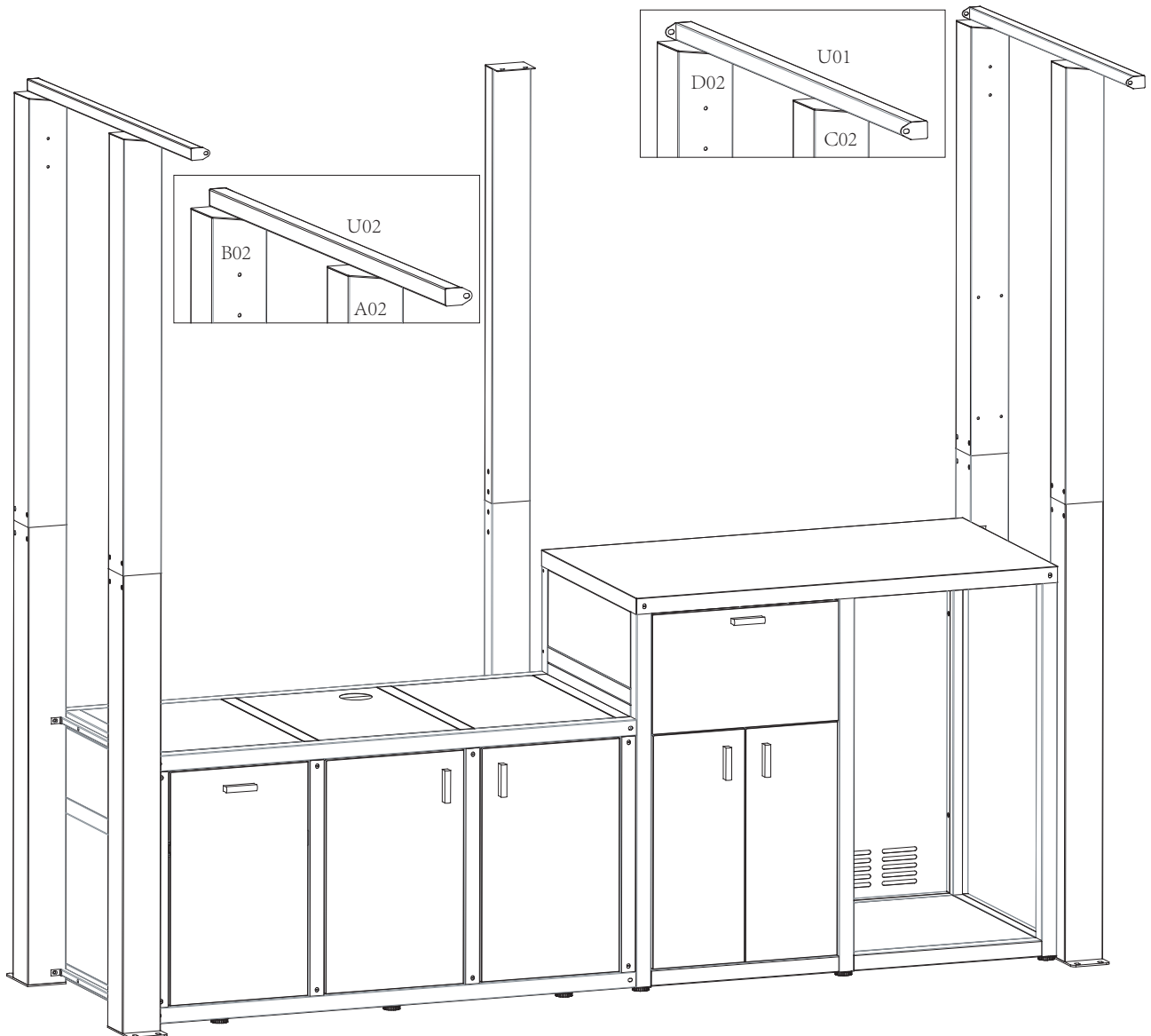
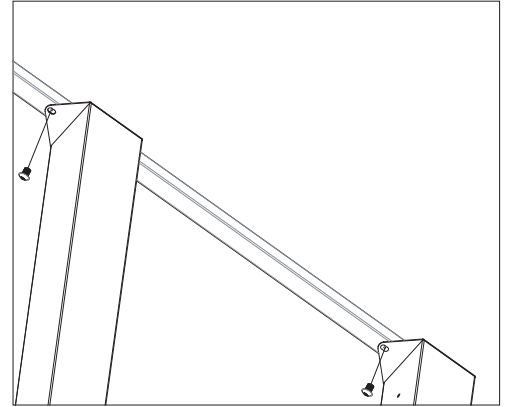


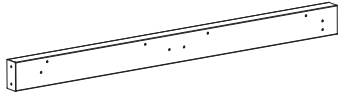
U02 Top left connector pipe*1



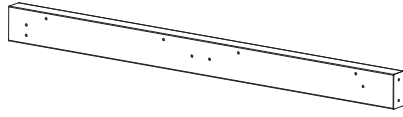
M6*10*4

- 1.Install U01 on C02 and D02 with two M6*10 bolts.
 - 2.Install U02 on A02 and B02 with two M6*10 bolts.
- Pay attention to the installation direction.
- Do not tighten the bolts at this step.

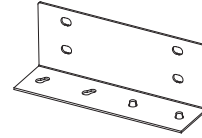




S01 Top outer frame(long)*2



S02 Top outer frame(long)*2

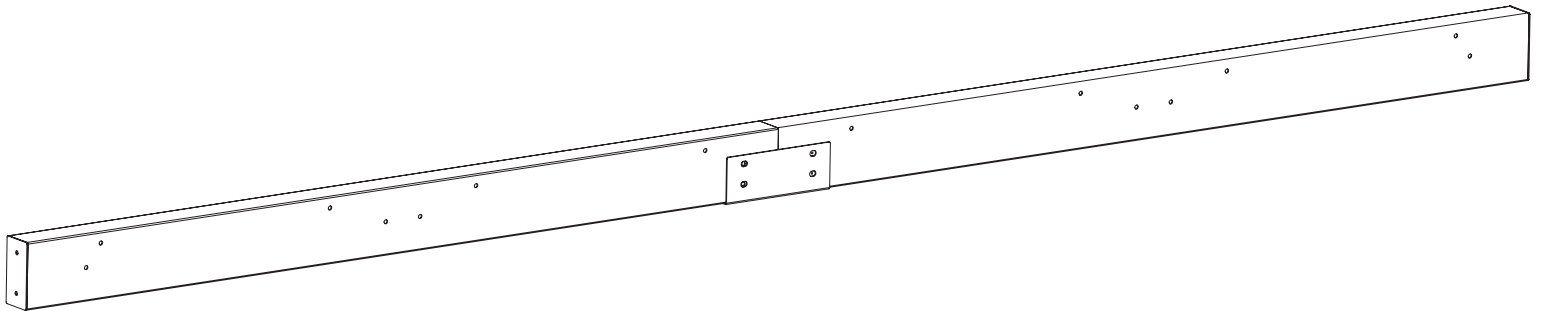
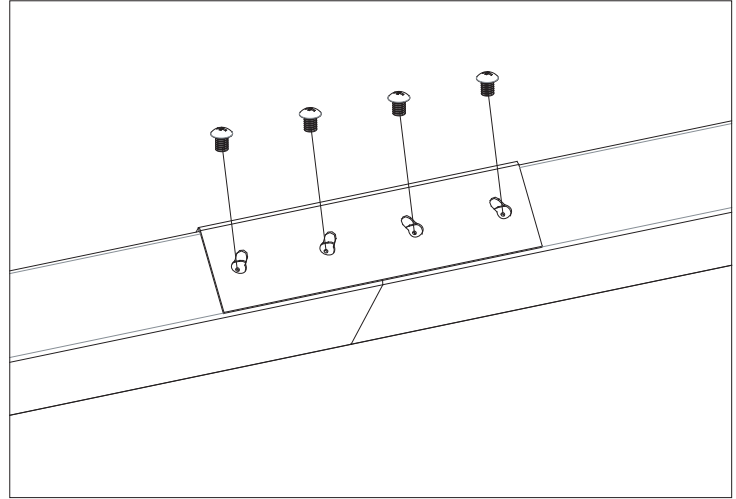


T Top connector strap*2



M6*10*8

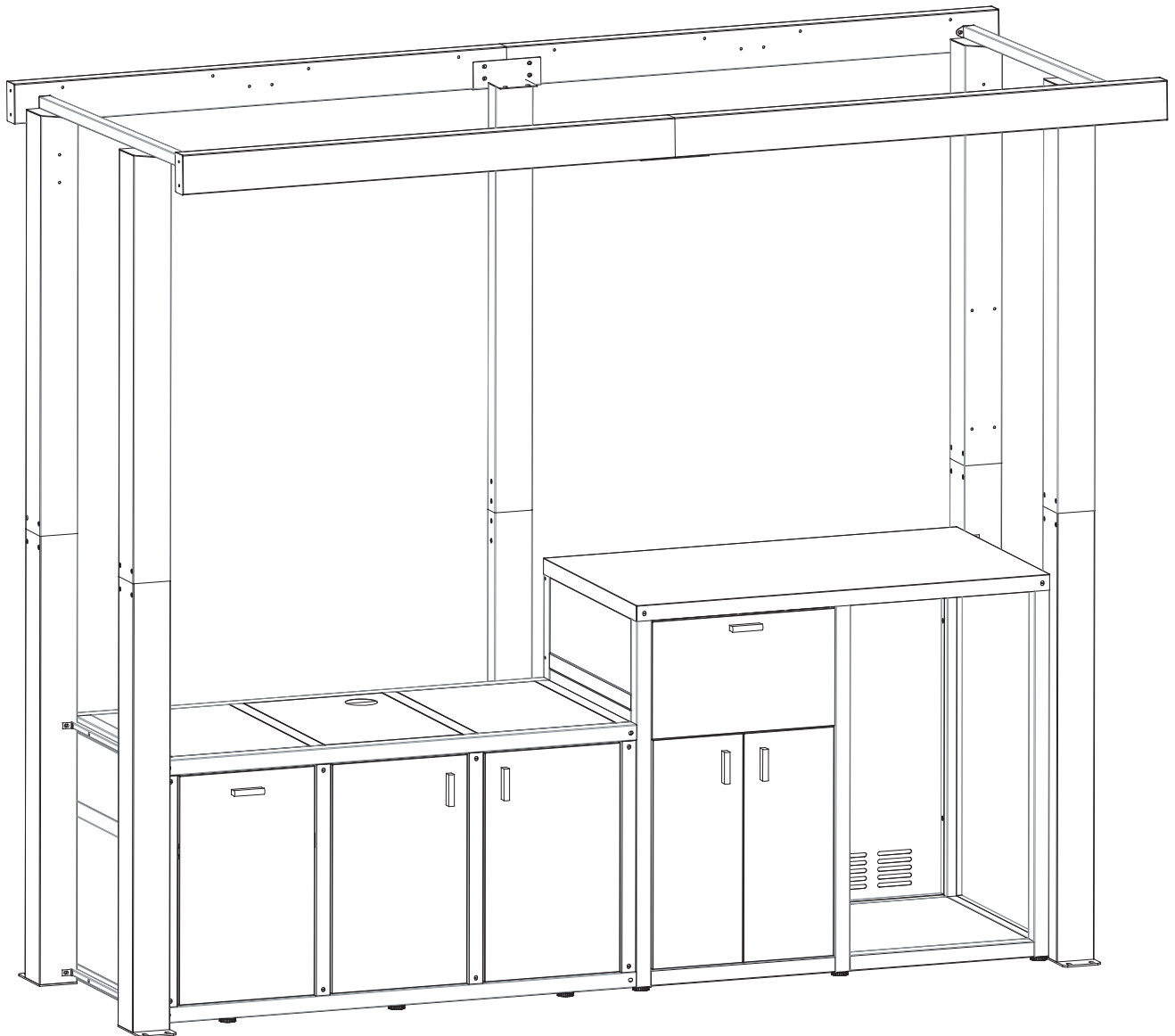
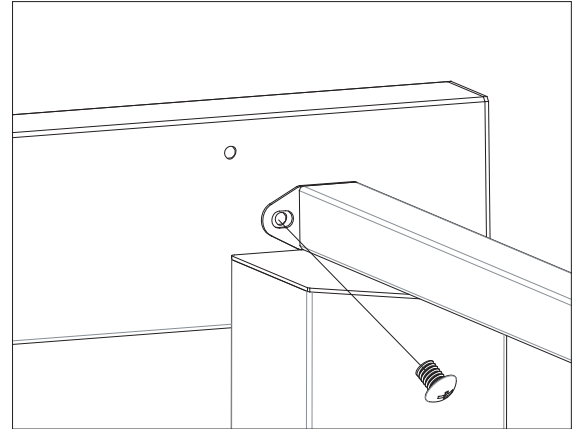
1.Install S01 and S02 on T with eight M6*10 bolts.

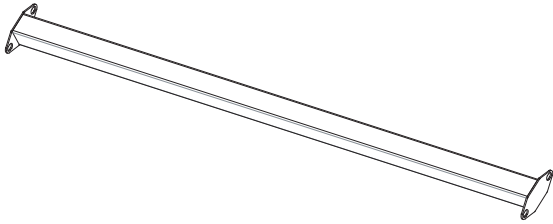




1. Install S01 and S02 combined on U01 and U02 with four M6*10 bolts.

Do not tighten the bolts at this step.





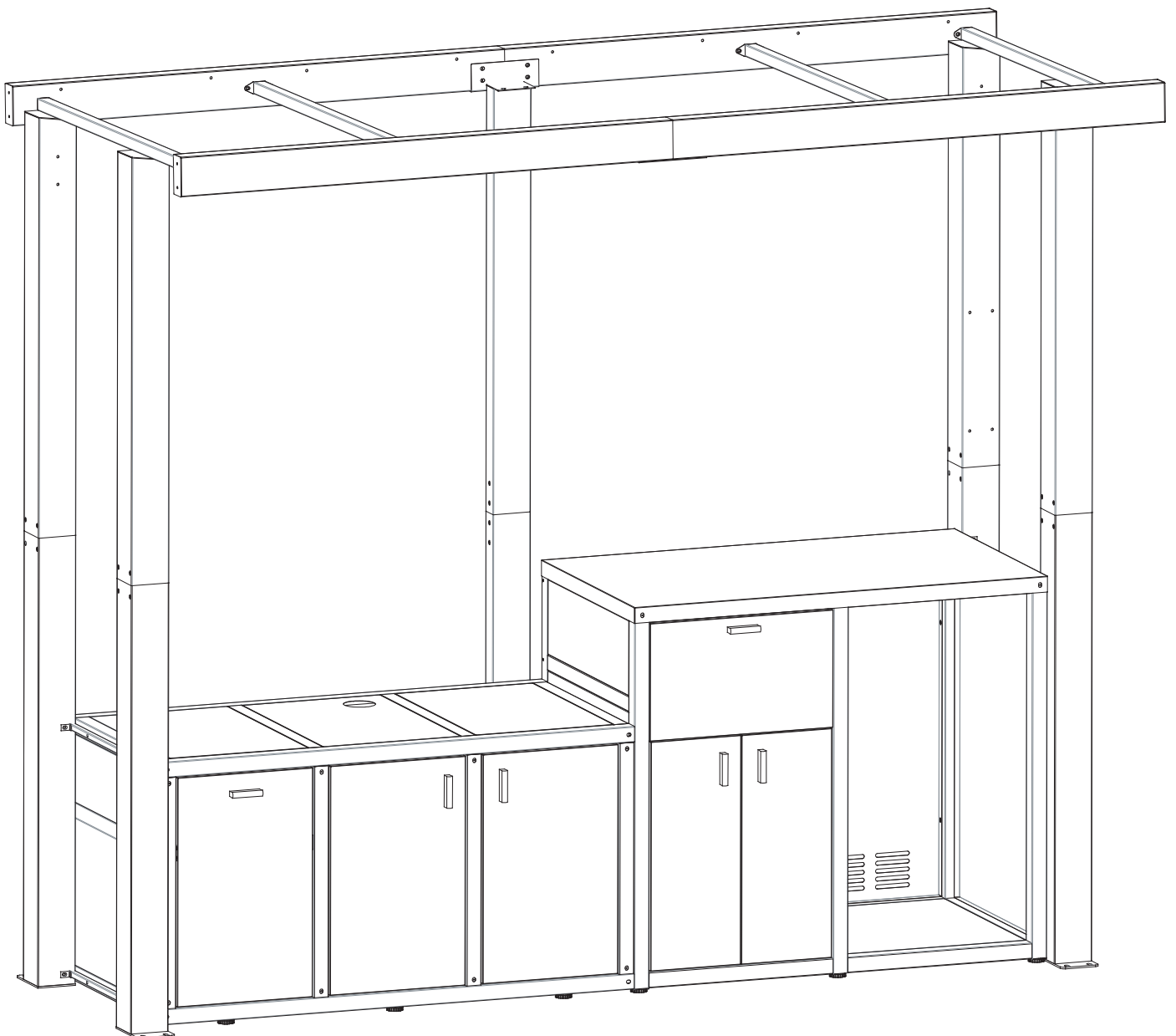
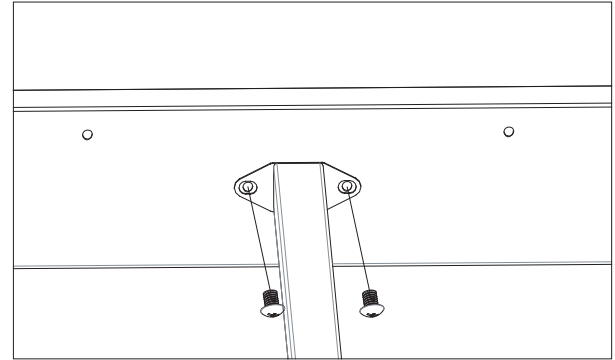
U03 Top connector pipe*2

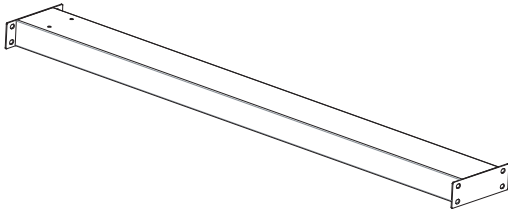


M6*10*8

1. Install U03 on the S01 and S02 combination with eight M6*10 bolts.

Do not tighten the bolts at this step.





U04 Top middle connector pipe*1

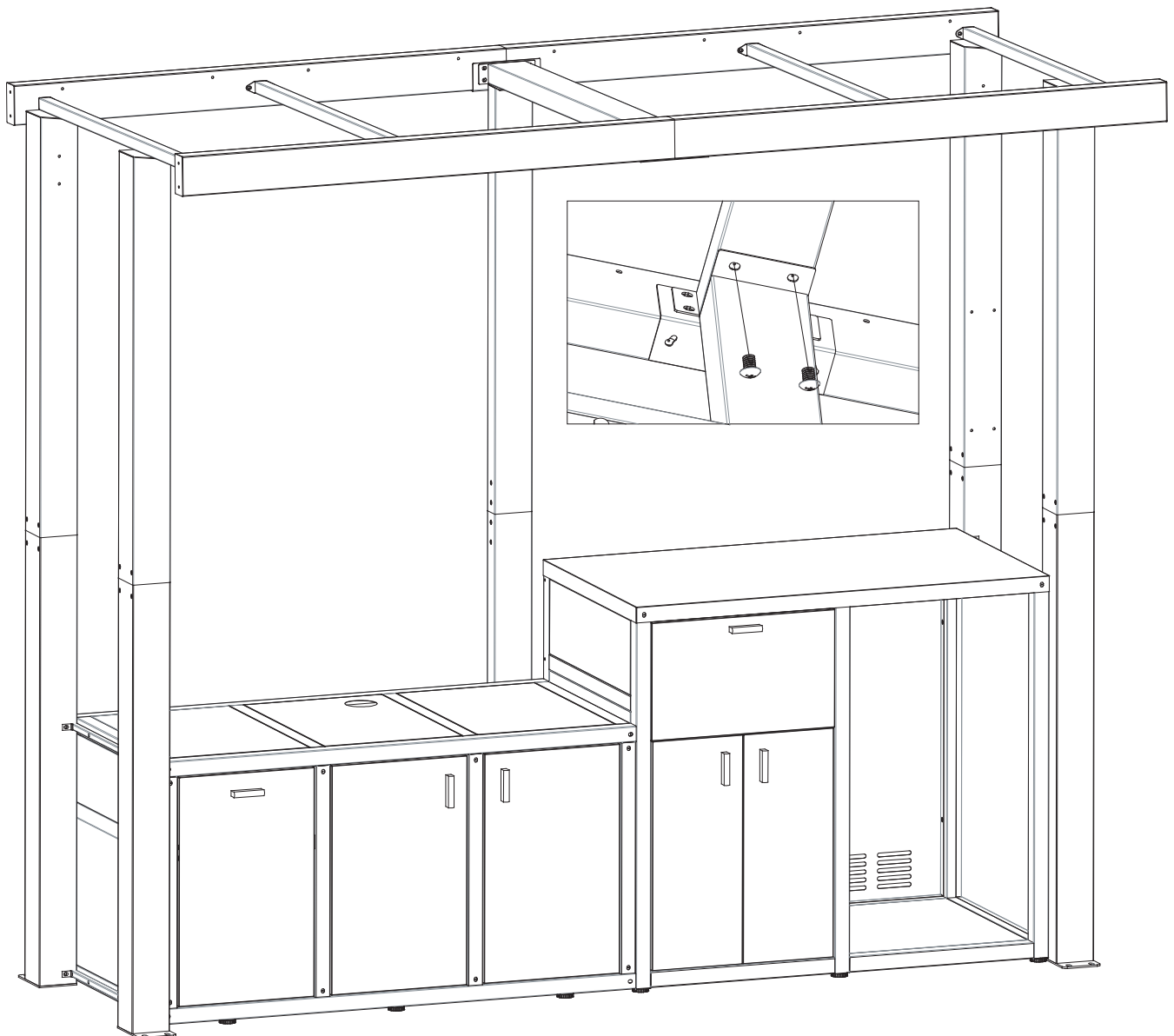
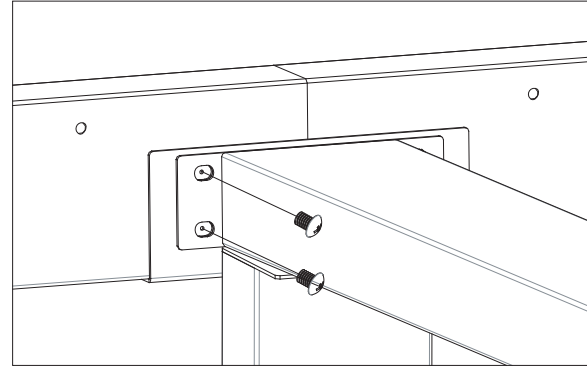


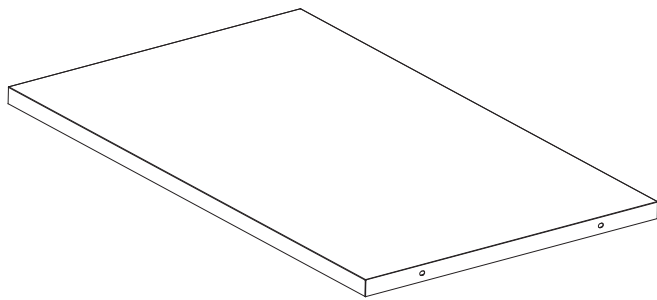
M6*10*10

1. Install U04 on the S01 and S02 combination with eight M6*10 bolts.

2. Install U04 and R02 together with two M6*10 bolts.

Do not tighten the bolts at this step.





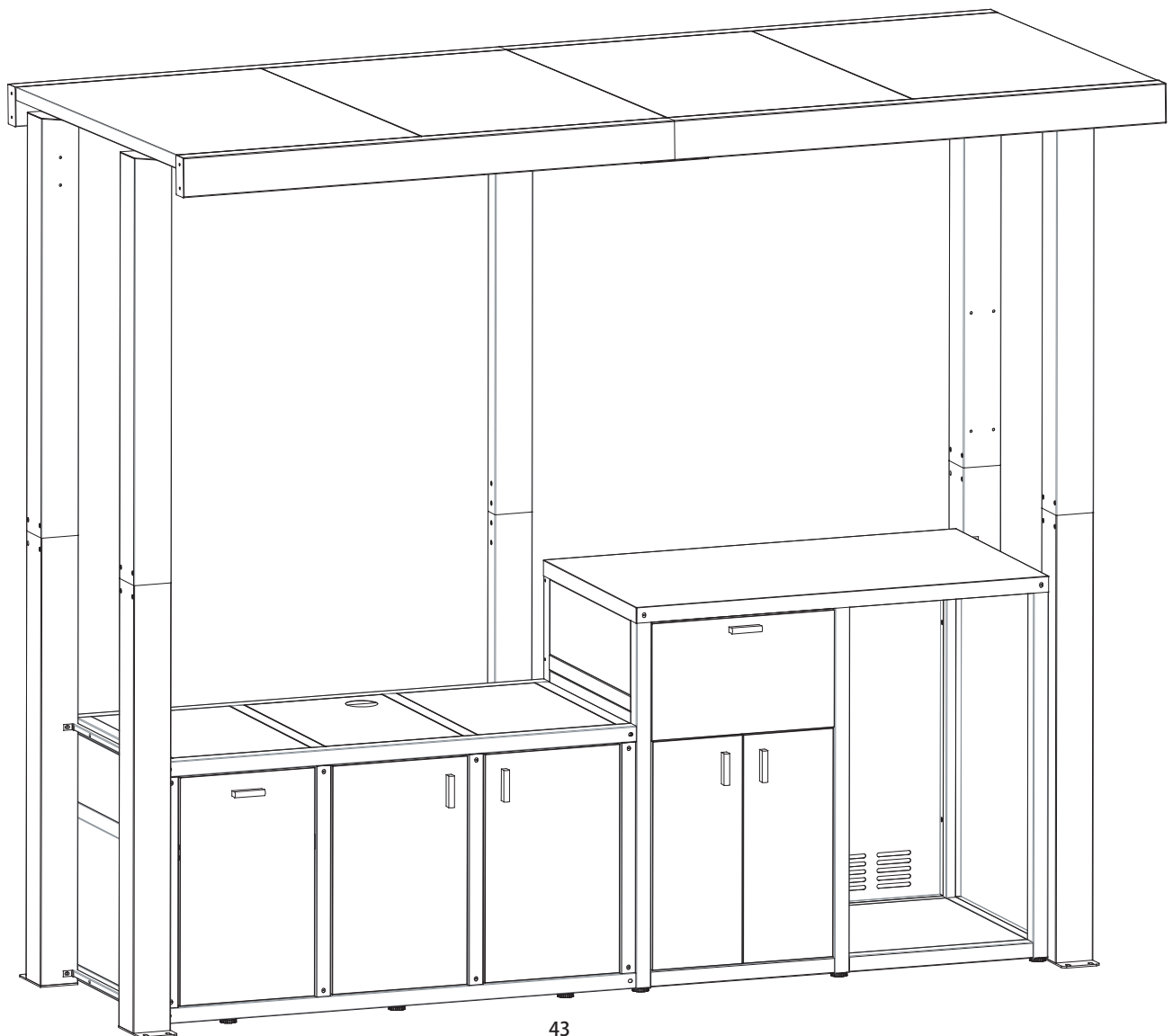
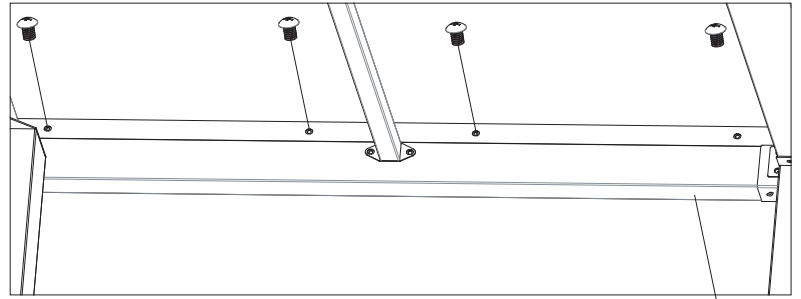
V Top decorative sheet*4

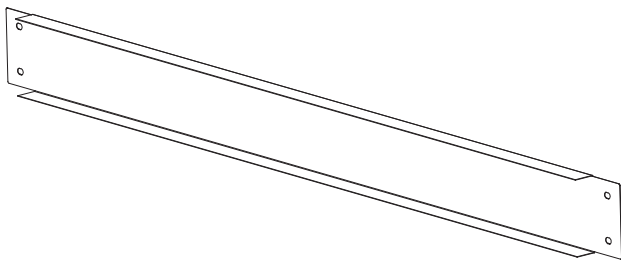


M6*10*16

1. Install V on the S01 and S02 combination with sixteen M6*10 bolts.

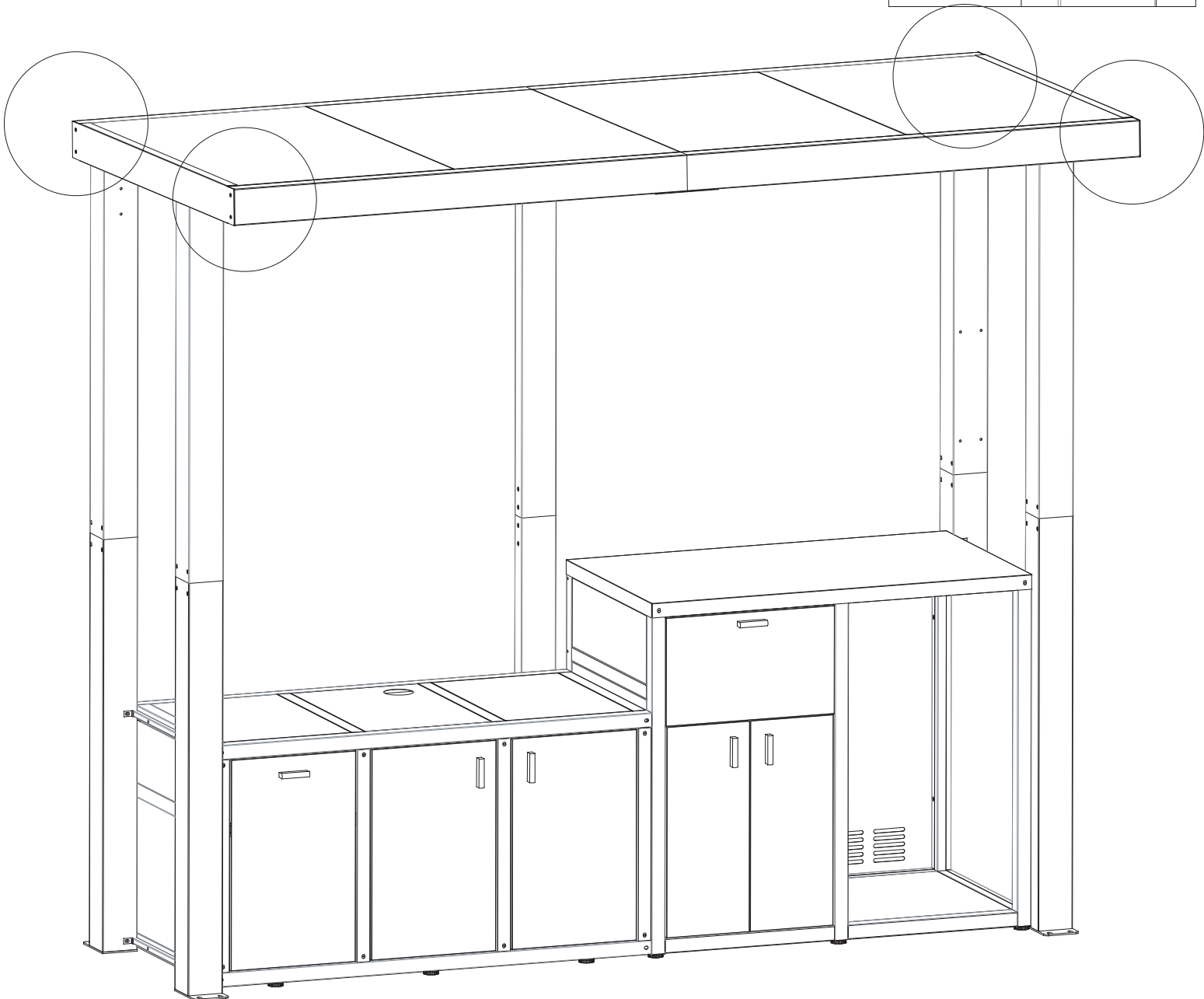
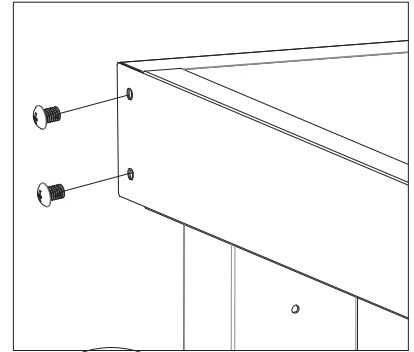
Tighten all bolts at this step. (The bolts on page 38 still does not tighten.)

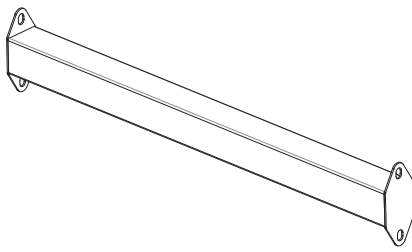




S03 Top outer frame(short)*2

1. Install S03 on the S01 and S02 combination with eight M6*10 bolts.

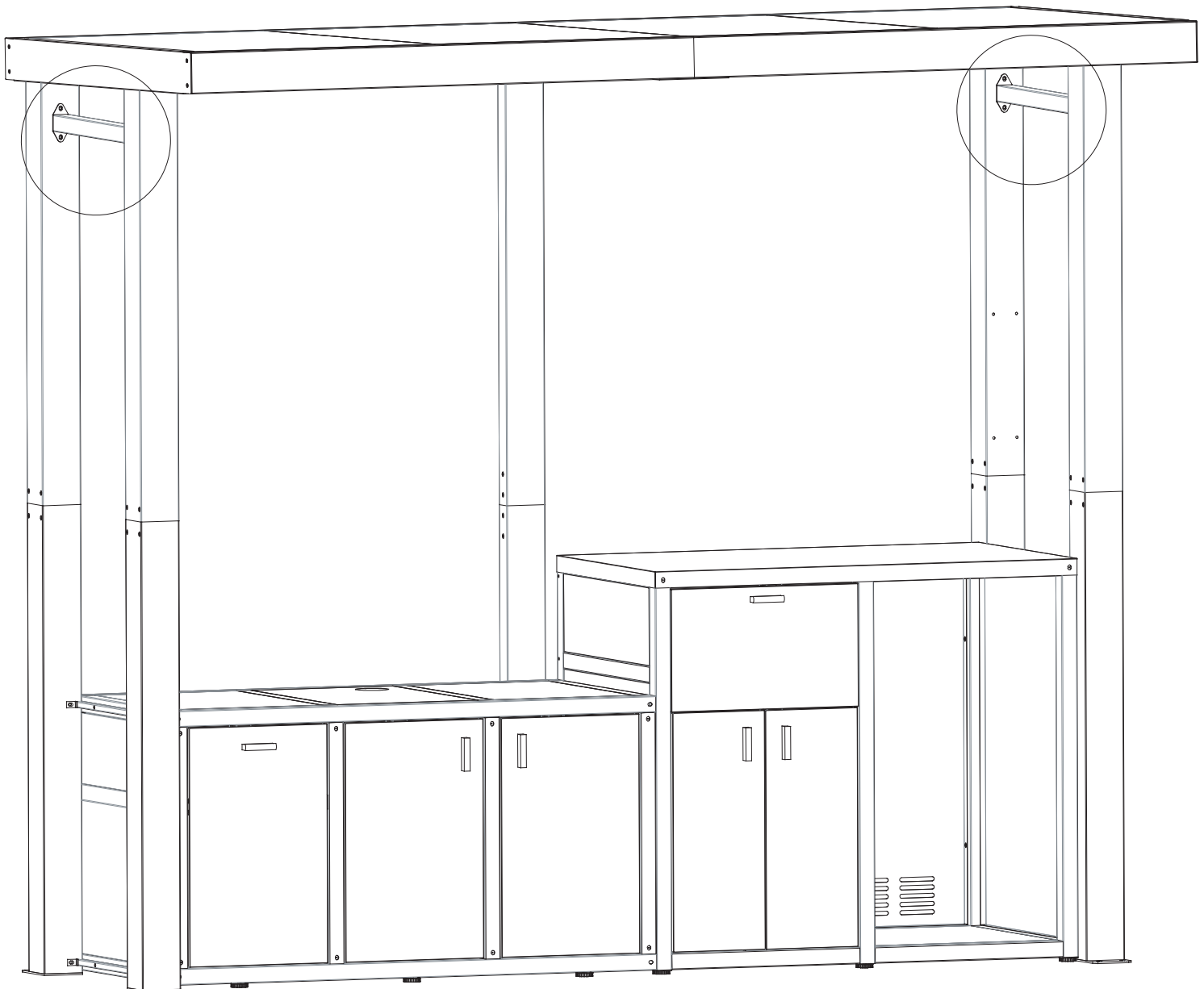
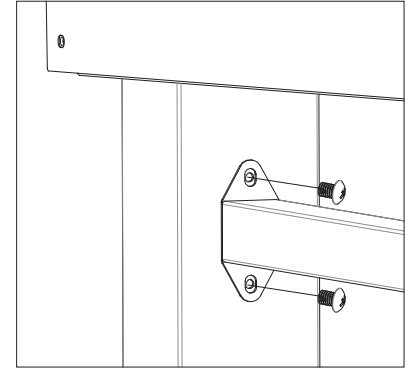


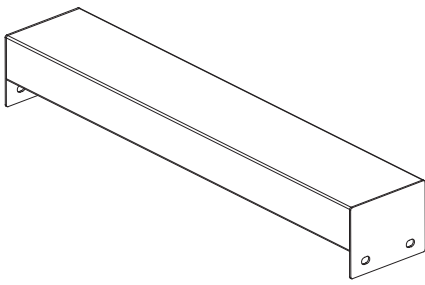


M6*10*8

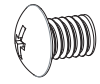
W01 Leg connector pipe*2

1. Install W01 on A02, B02, C02, and D02 with eight M6*10 bolts.
Do not tighten the bolts at this step.





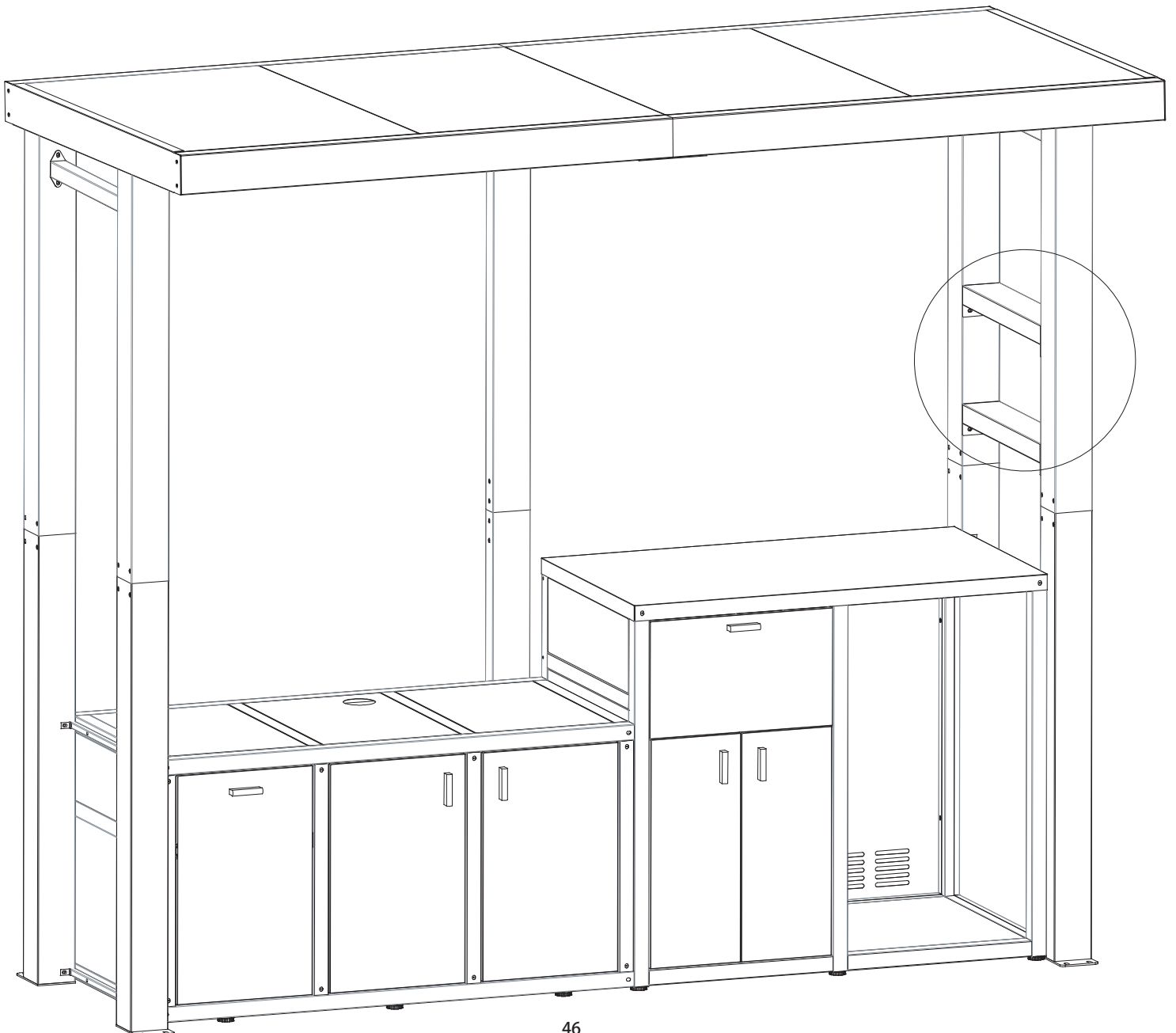
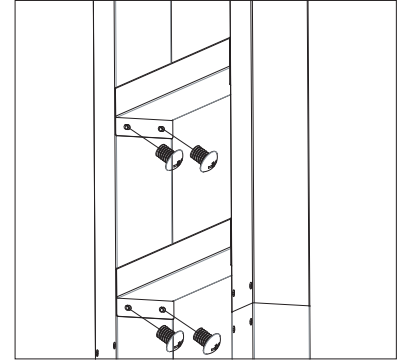
W02 Storage pipe*2

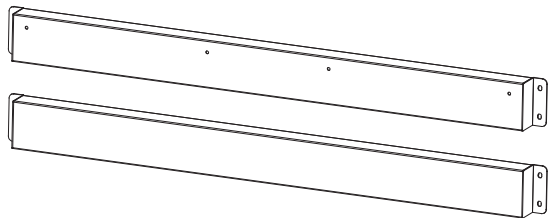


M6*10*8

1. Install W02 on C02 and D02 with eight M6*10 bolts.

Tighten all bolts at this step.

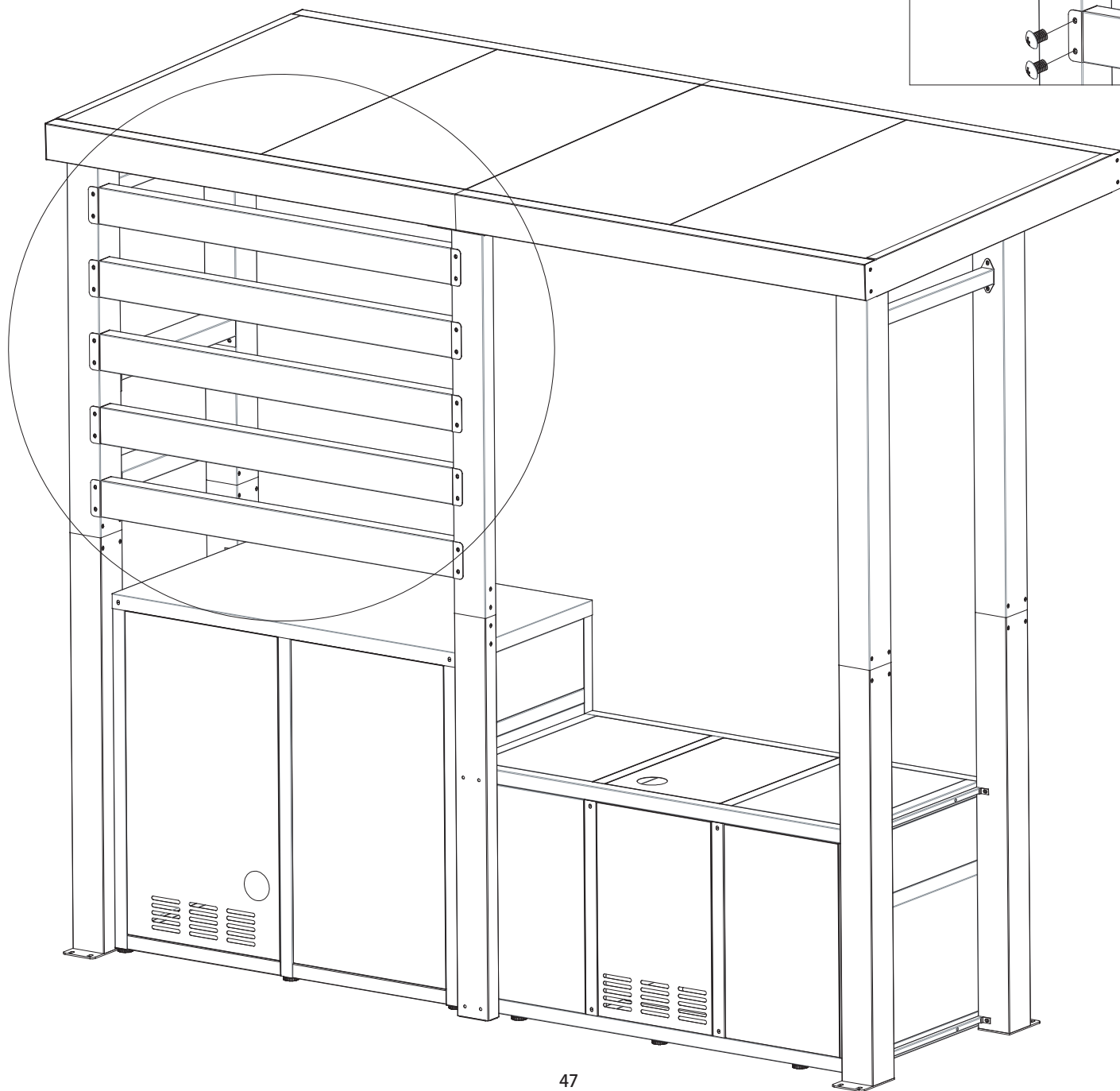
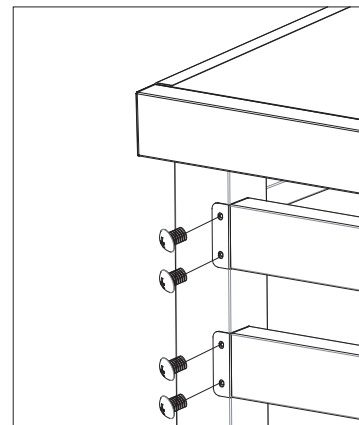


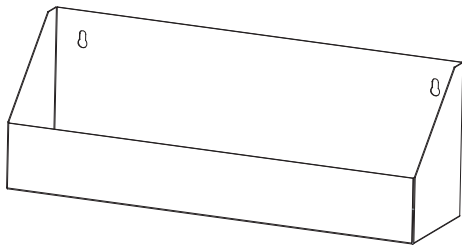


M6*10*20

X Decorative pipe*5

1. Install X on D02 and R02 with twenty M6*10 bolts.



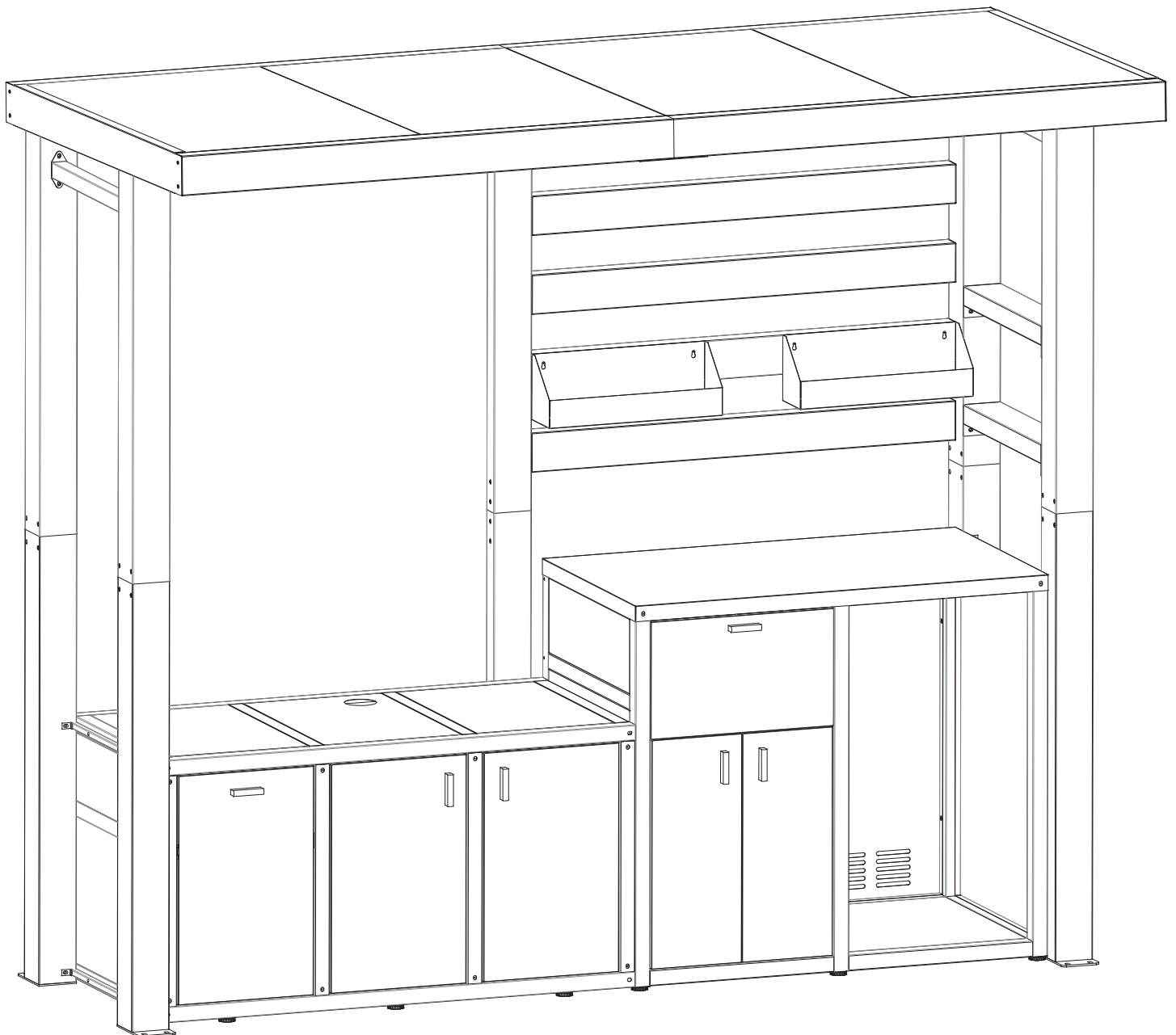
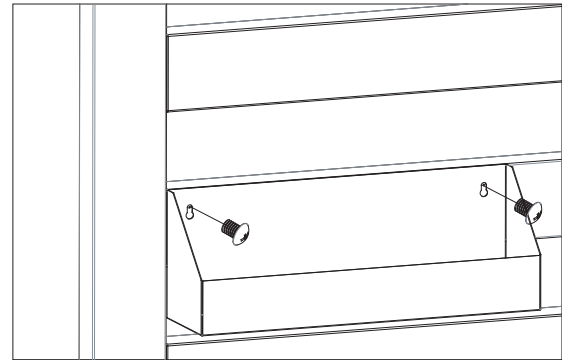


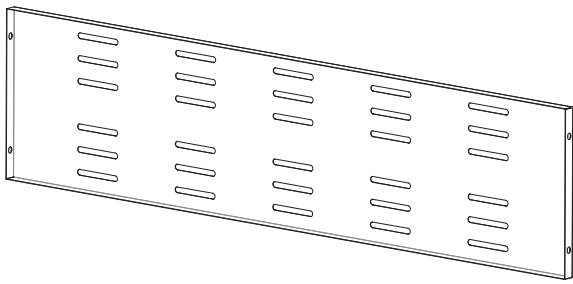
Container*2



M6*10*4(small head bolt)

1. Install the container on the X with four M6*10 small head bolts.

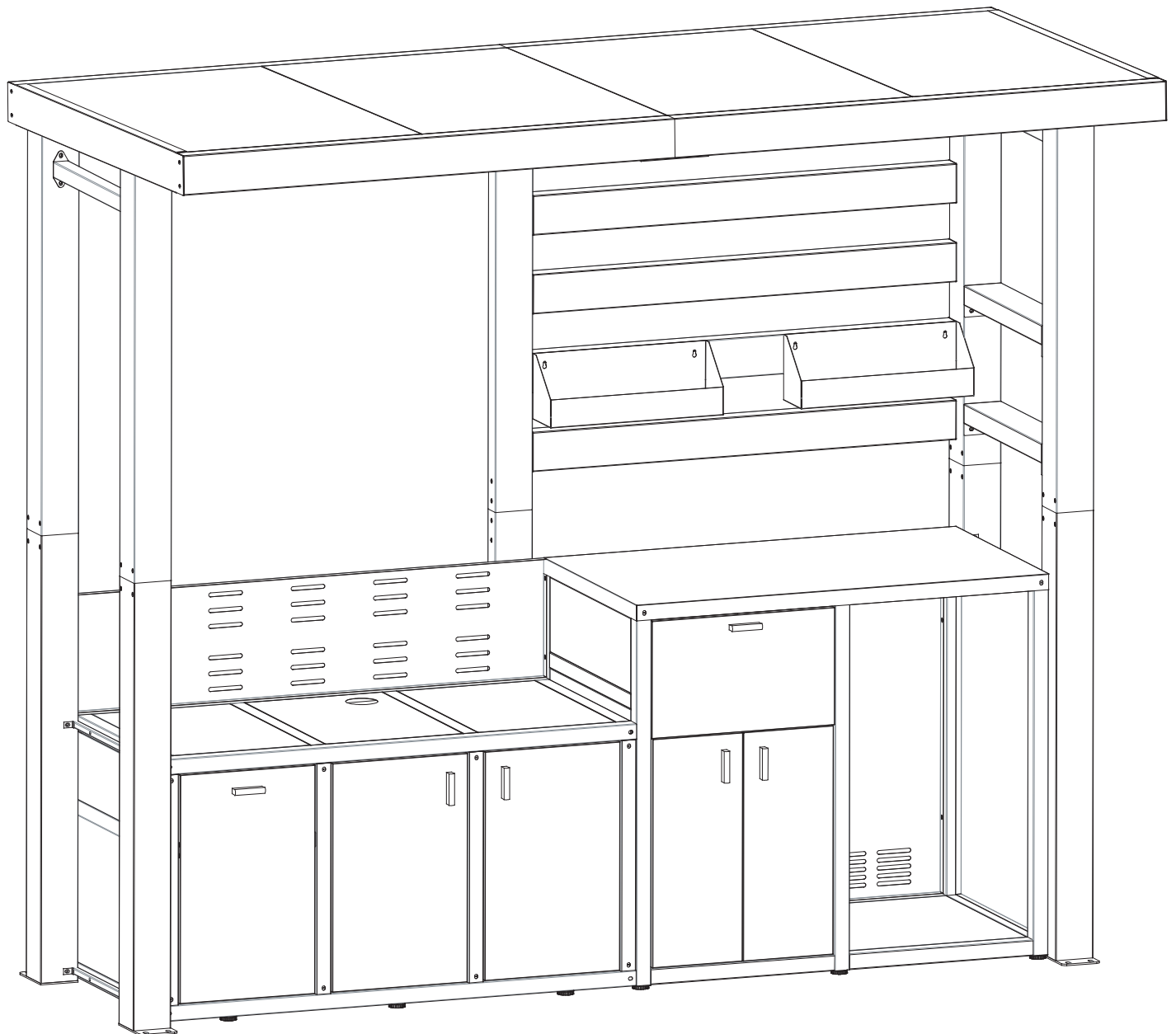
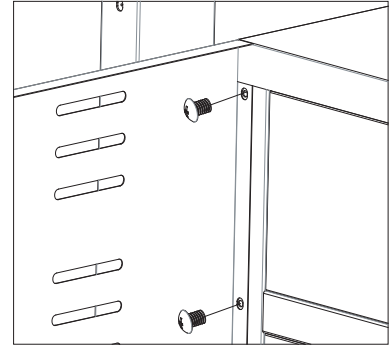


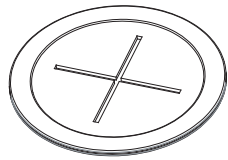


M6*10*4

Q02 Barbecue cabinet cooling panel*1

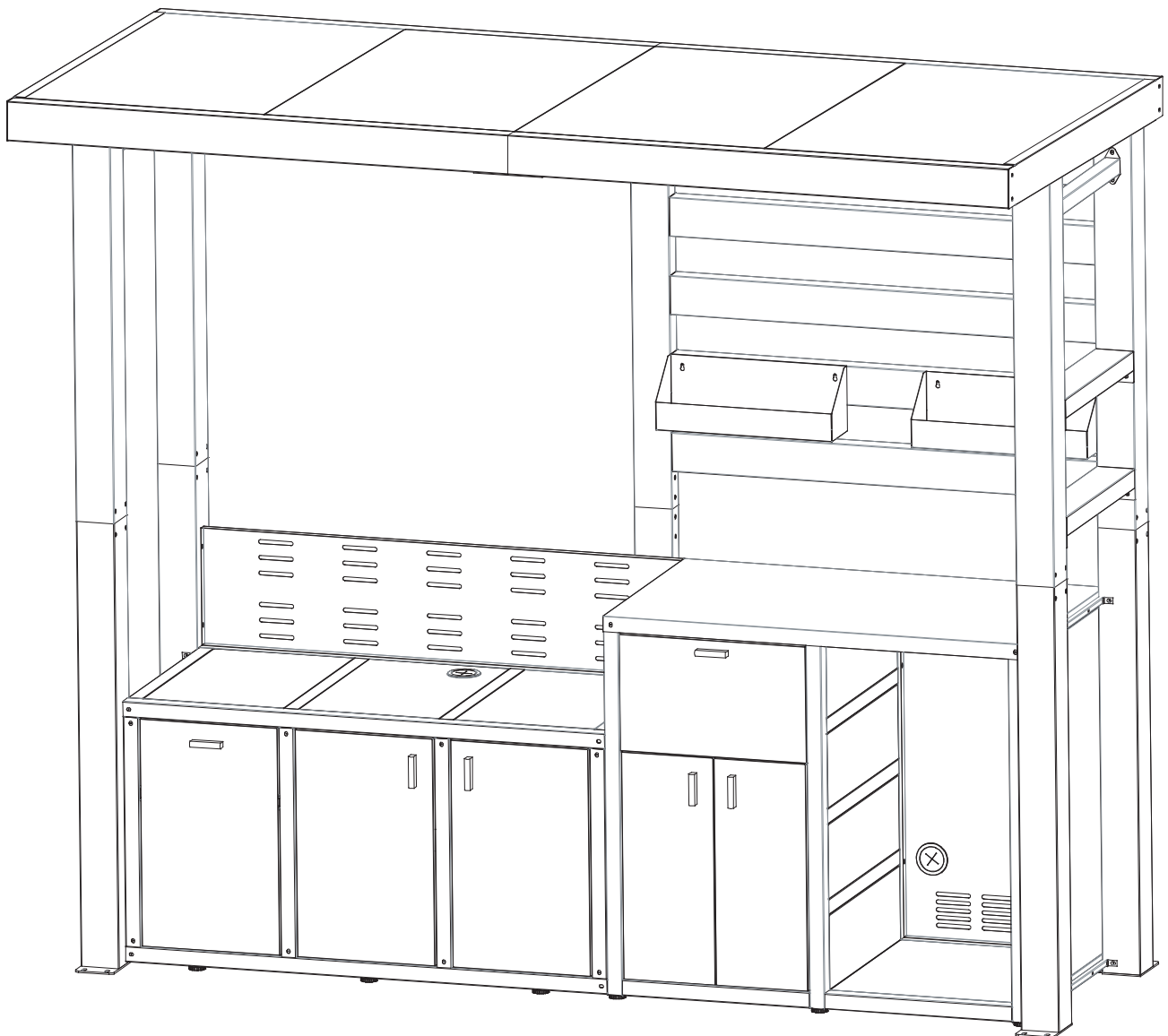
1.Install Q02 on B01 and F03 with four M6*10 bolts.





Grommet*2

1.Install the Grommet on the M01 and G01 round holes.



WARRANTY

WARRANTY CLAIMS

- There is a 30-day warranty for broken furniture or any other problems that do not work properly. The warranty will start from the date of purchase which must be verified by proof of purchase.
- Before making a claim, we may be able to answer your query, simply call us. Please leave your purchase order number, along with some details of the problem, if you want a replacement part. We will arrange within 48 hours. If there is out of stock, we will reply with a shipping date.
- The product must be used in accordance with the instructions provided. For health reasons.
- For other reasons, if the furniture needs to be returned, it must be cleaned and dried and operated within 30 days of receipt.

Type of Warranty Claim

- Failure to follow the furniture instructions will invalidate the warranty. Attention please.
- Does not include damage during installation, but includes damage during transportation.

Scope of responsibility

- Shall not bear any responsibility for misuse or user damage and / or loss of parts during the installation of furniture.
- After using, the damage and scratches of the furniture are not covered by the warranty.

The Warranty Relates to All Bought in The Us and Covers The Following Areas

- Sheet parts: 1 month from the date of purchase.
- Electrical parts: 1 month from the date of purchase.

RETURNS

CHANGED YOUR MIND AND NEED TO RETURN YOU ITEM?

PLEASE FOLLOW THE BELOW INSTRUCTIONS:

- If you have purchased and have simply changed your mind, follow the retailer's instructions for returns.

DEFECTIVE ITEMS

- If your item is defective in any way, i.e. it doesn't work but you can't identify why, in the first instance, please call us.

DAMAGED ITEMS

- If you receive an order with obvious shipping damage from the retailer, then we suggest the delivery is refused. If the delivery has been accepted and then shipping damage is found, please follow the specific instructions advised by the retailer.
In all circumstances please save all packaging material and paperwork for the order. Please be aware that if you dispose of packaging material or attempt to return the merchandise without contacting the fulfiller, you jeopardise your chances of making a claim, and you may not receive a credit for the return.

AFTER-SALES CONTACT

