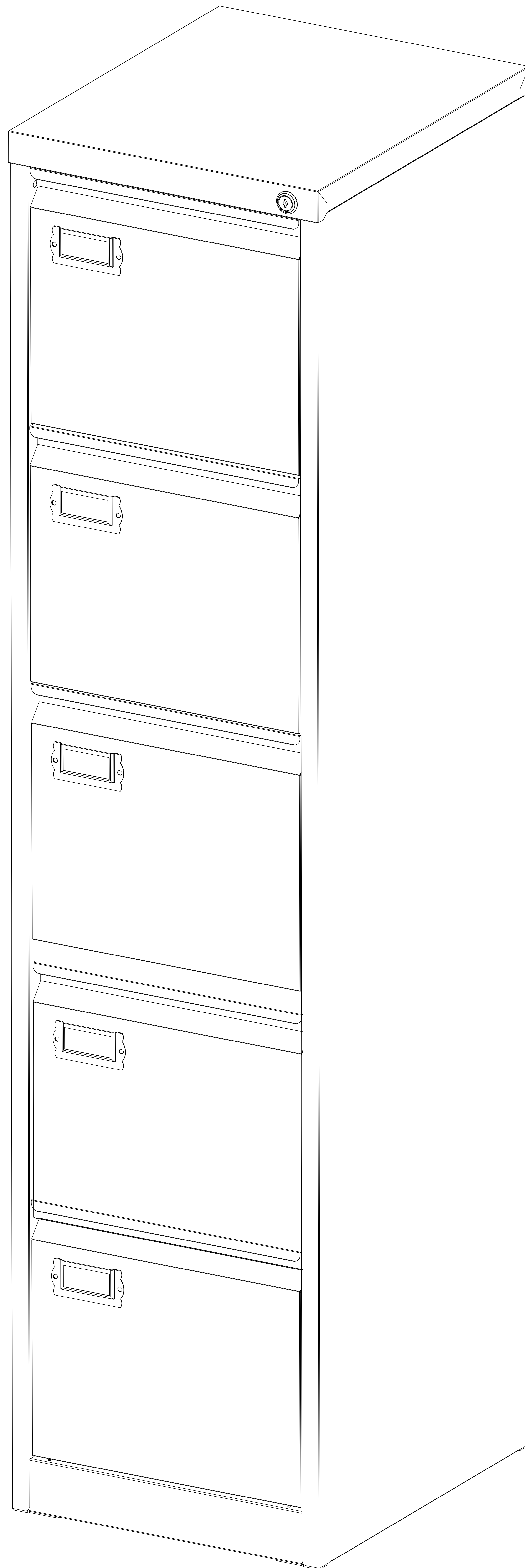
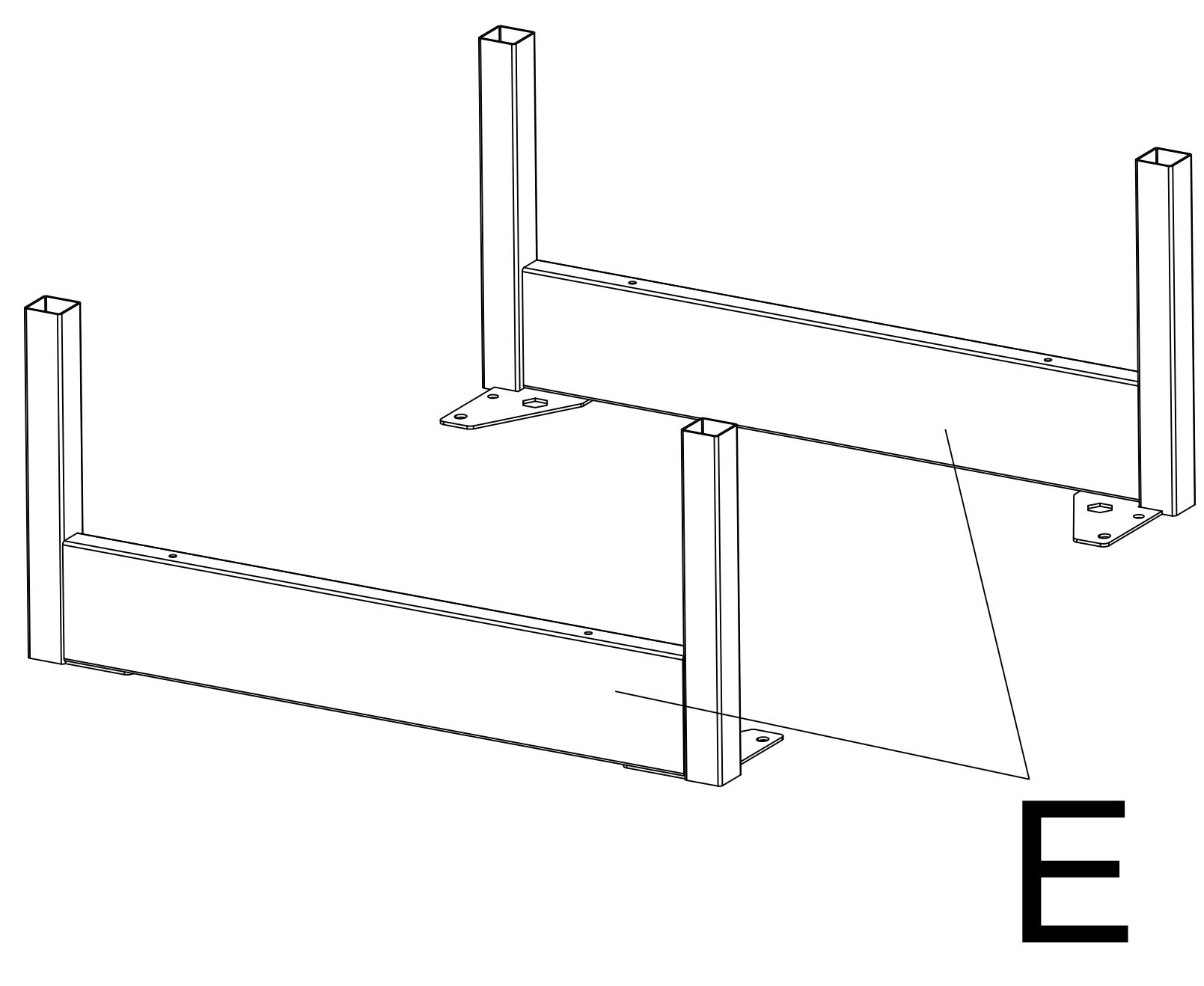
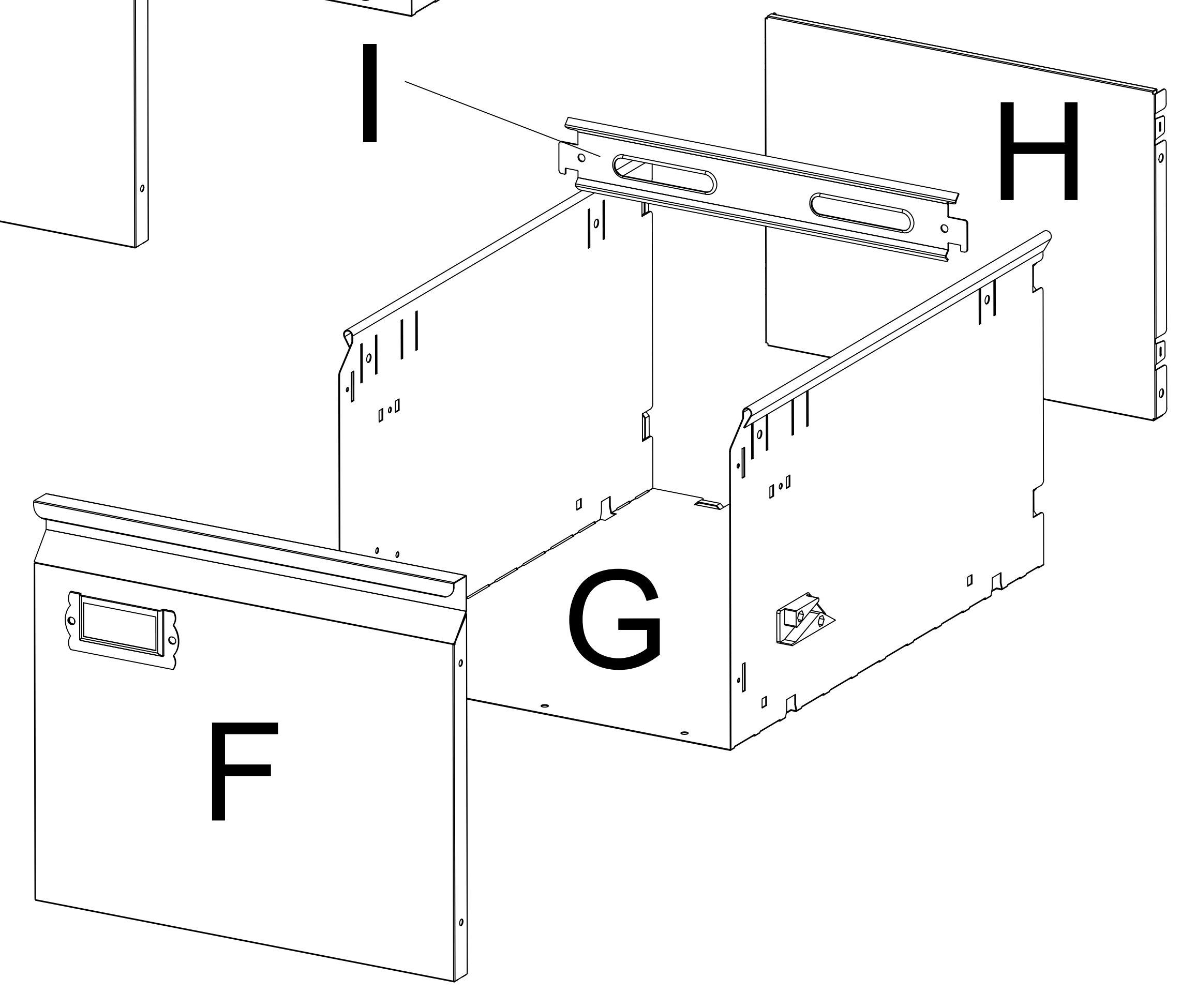
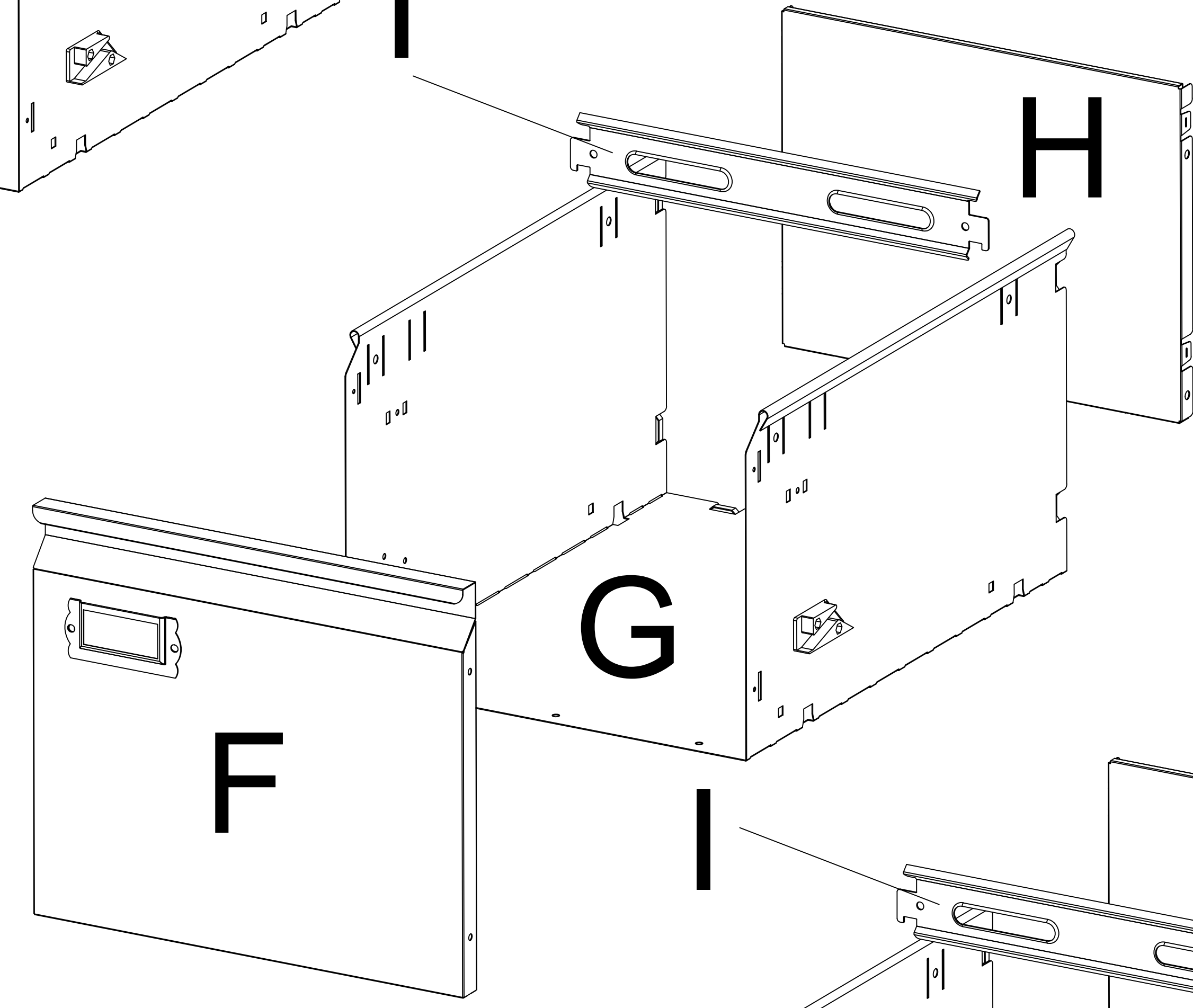
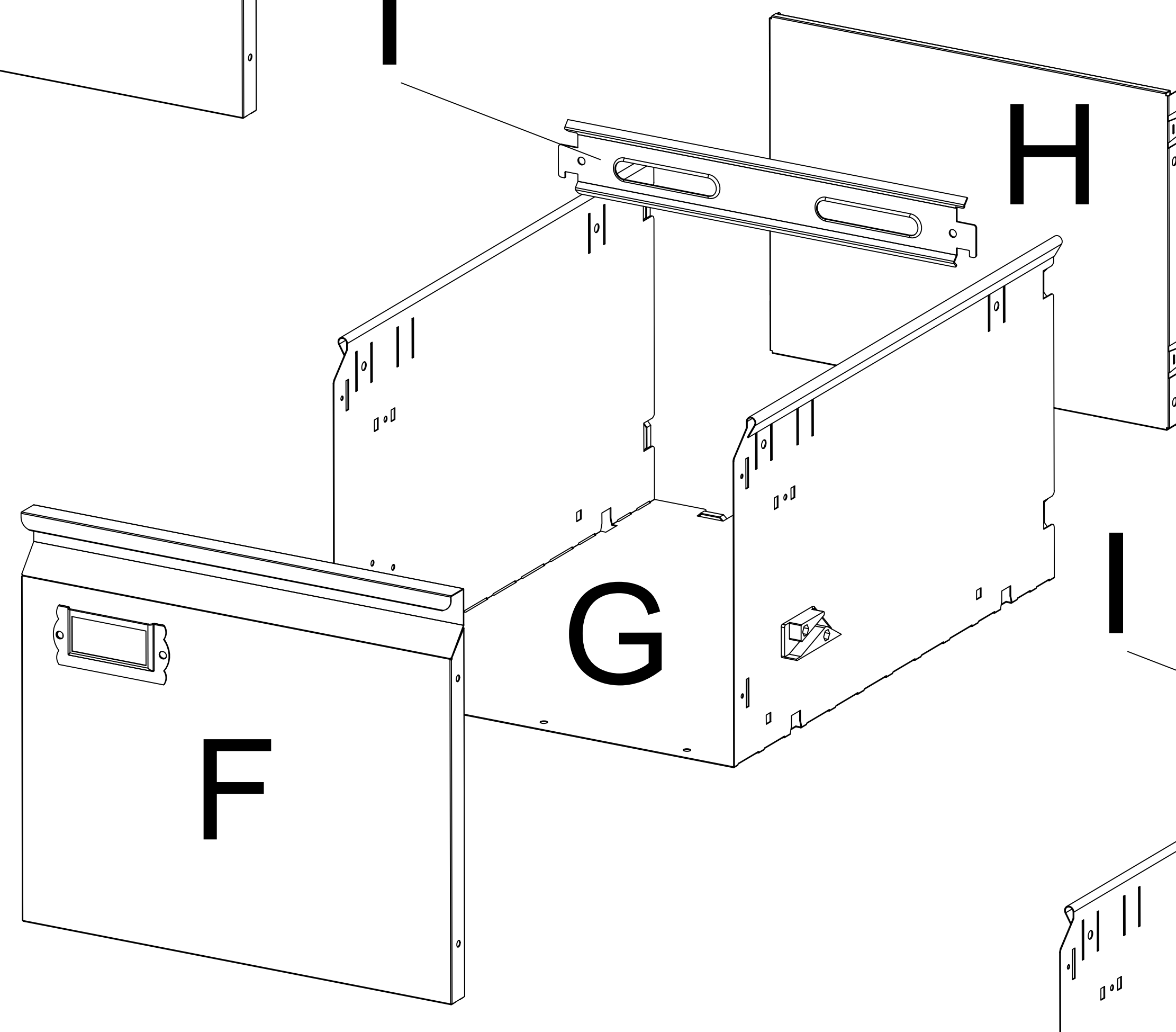
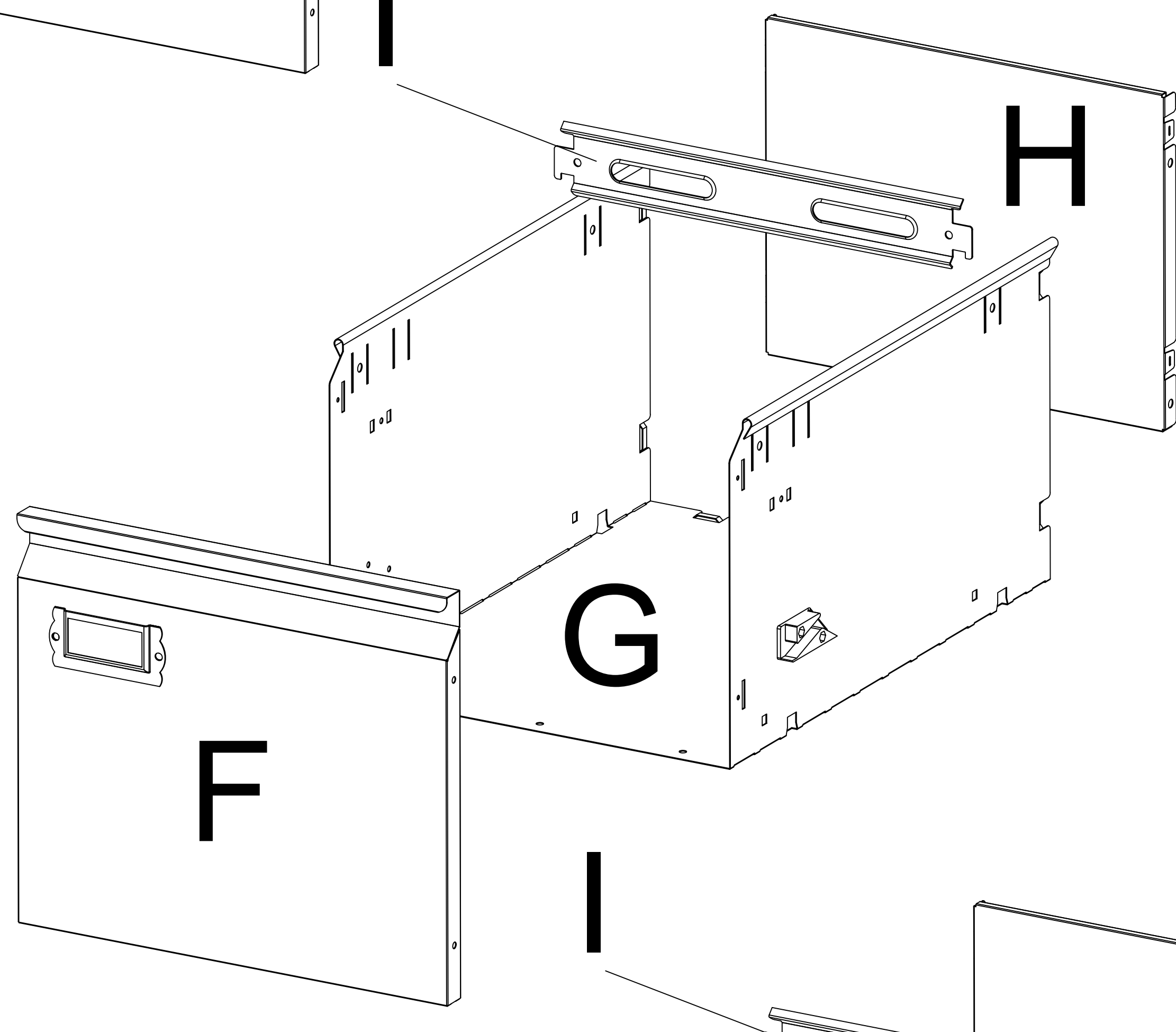
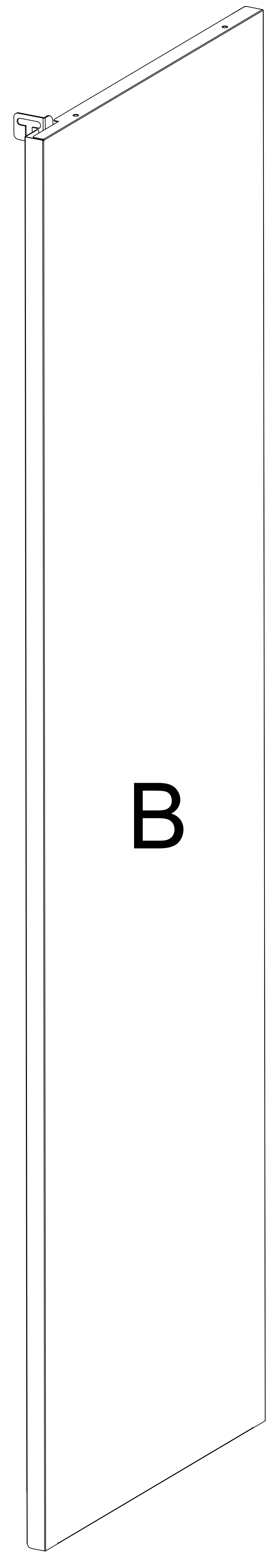
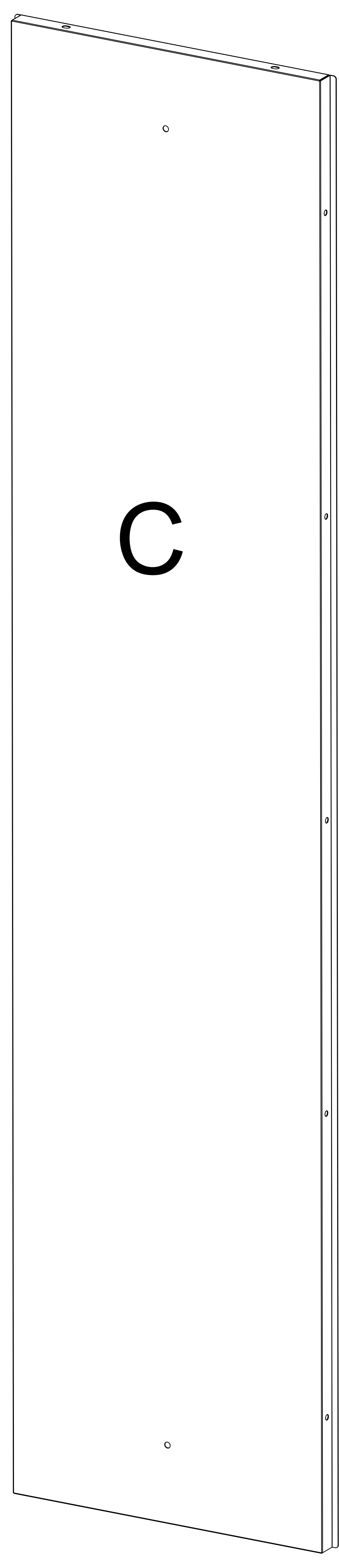
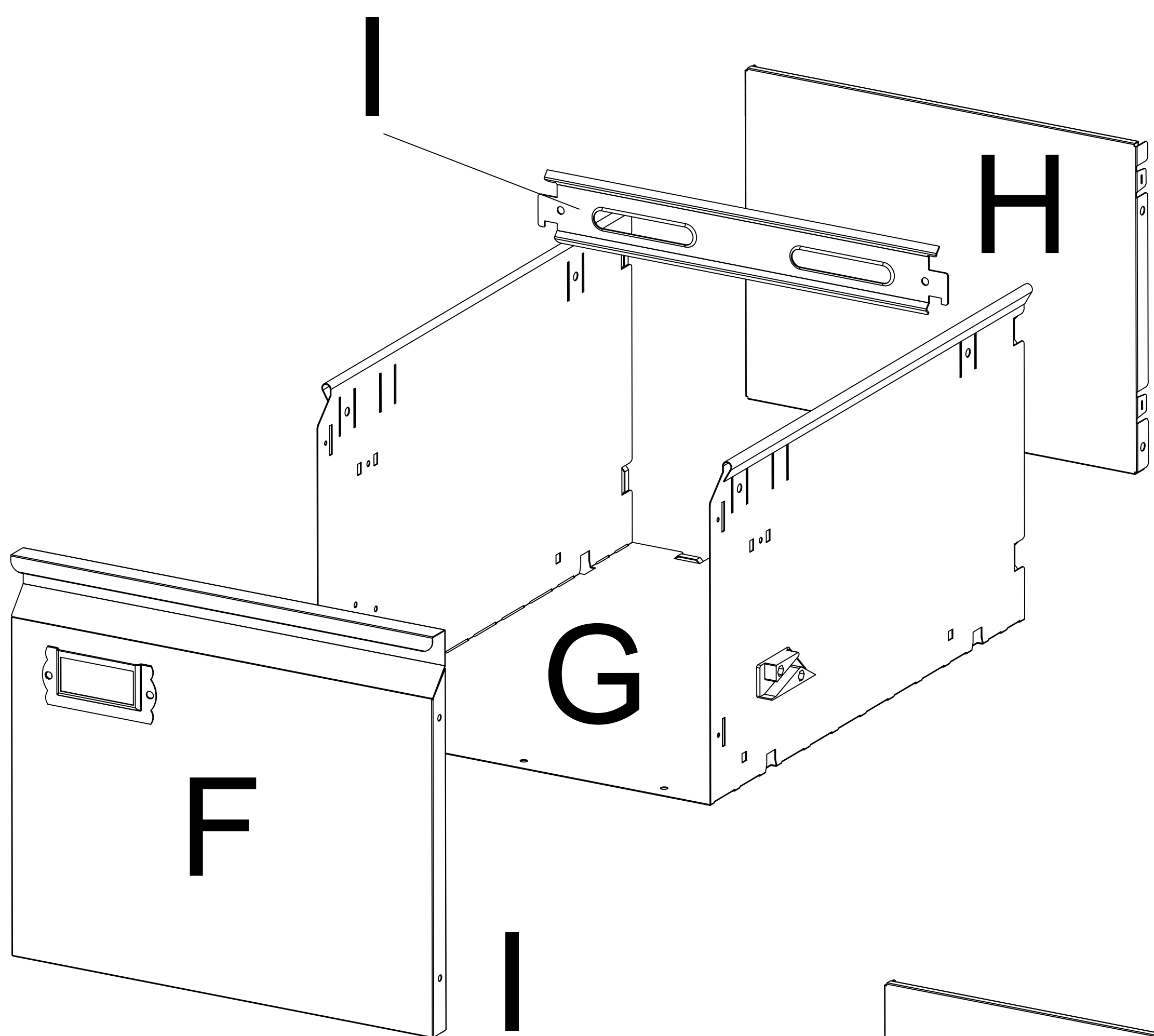
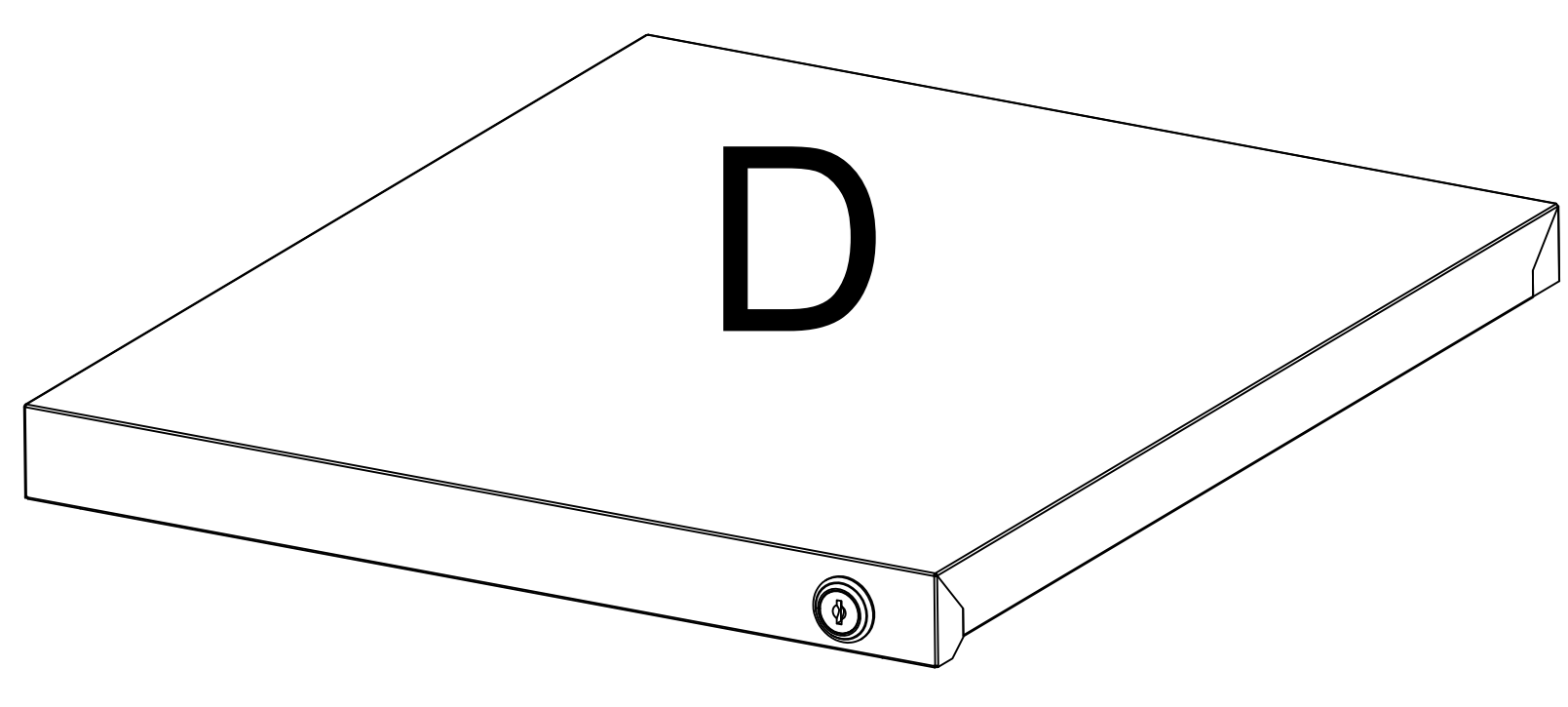
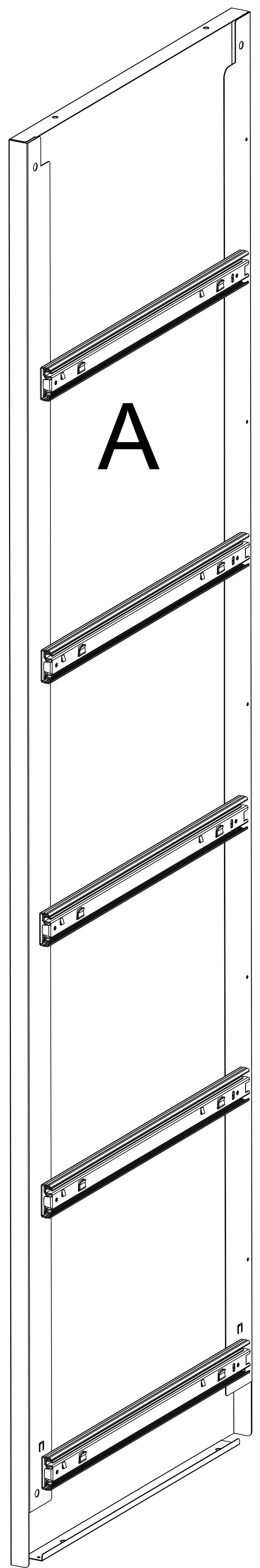
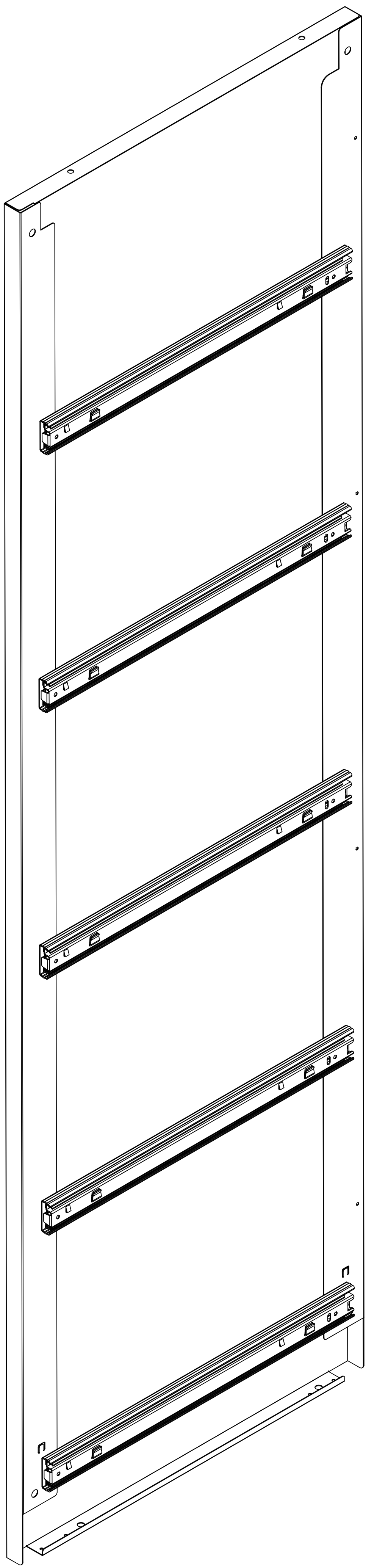


Installation Instructions

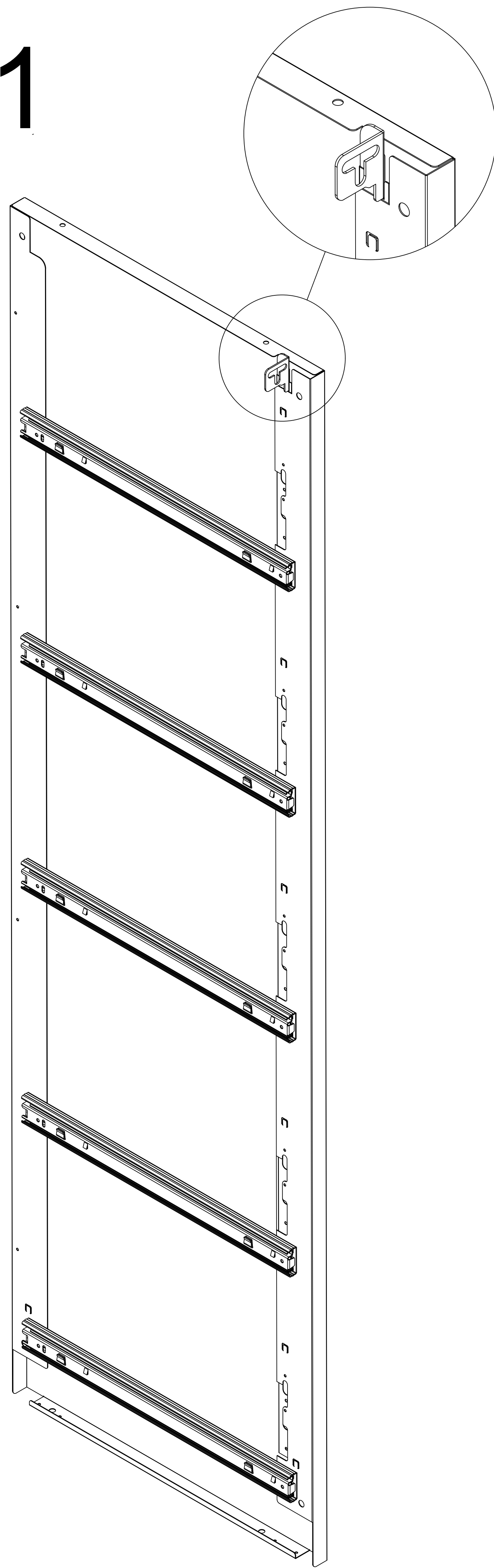




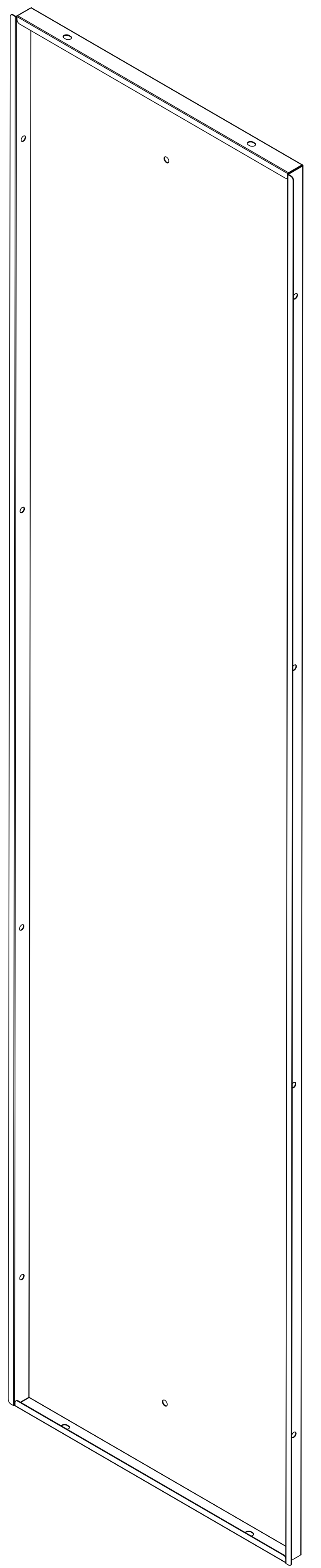
A×1



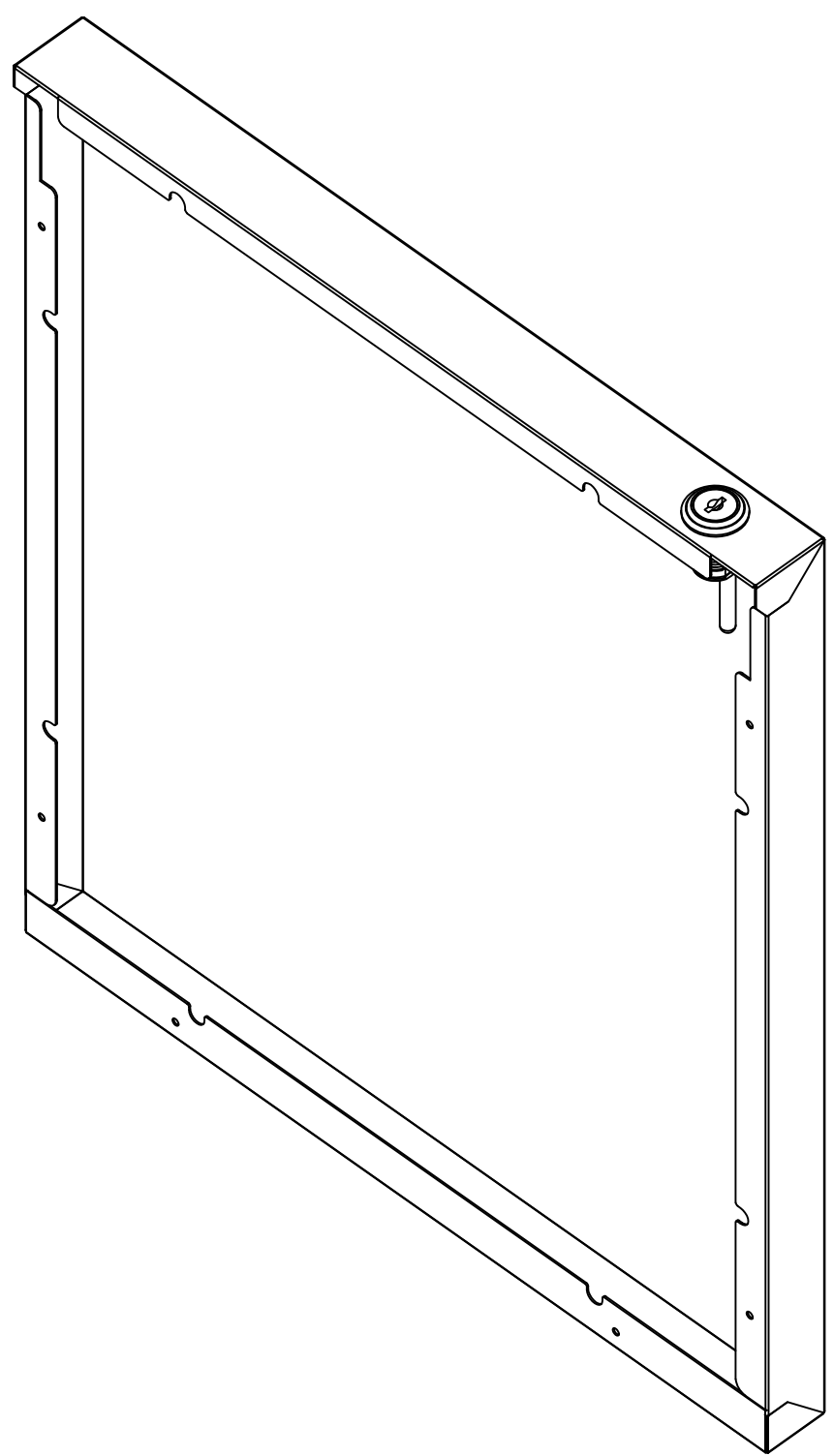
B×1



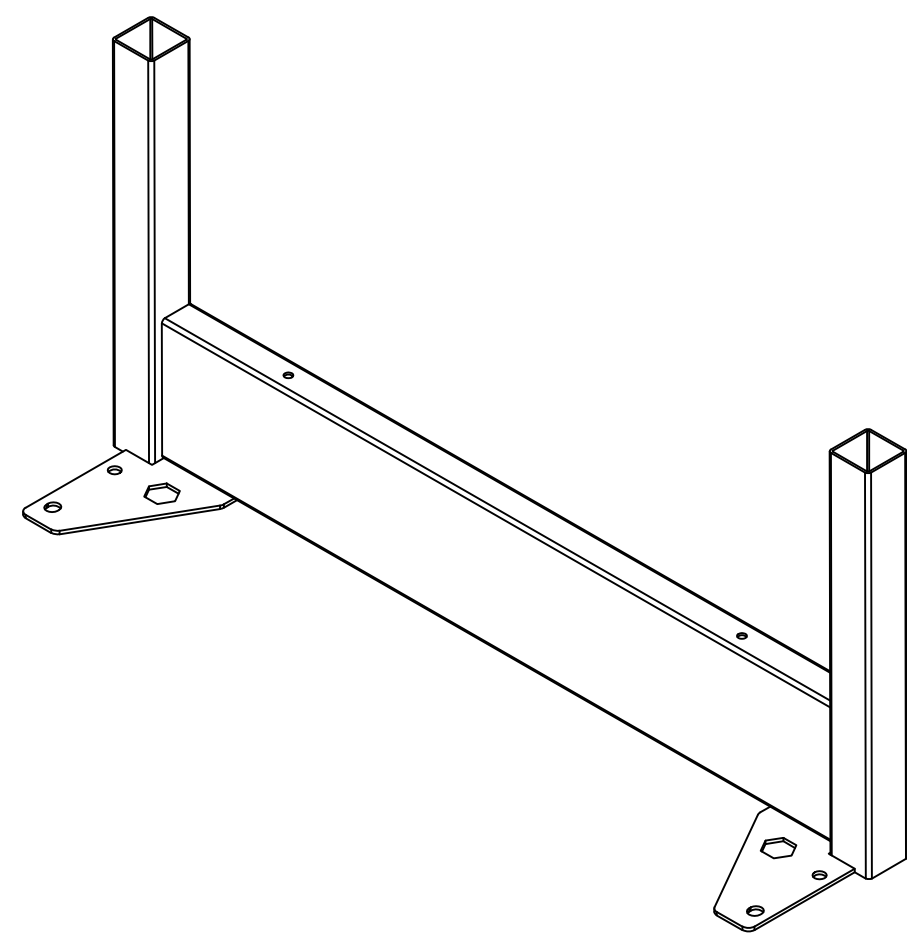
C×1



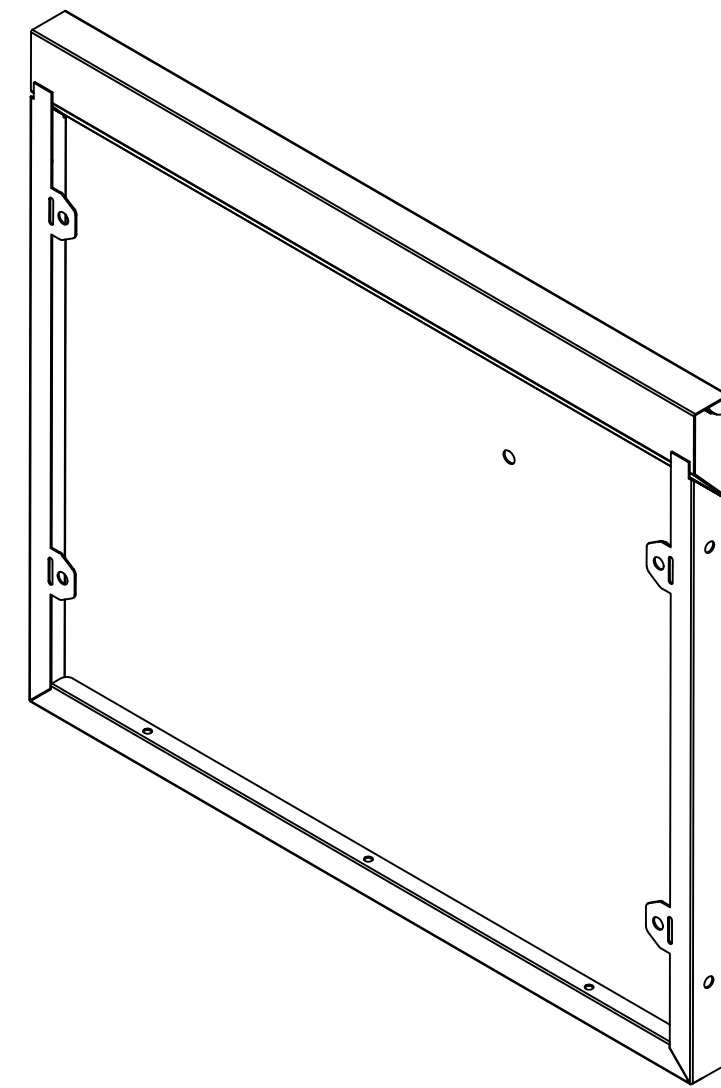
D×1



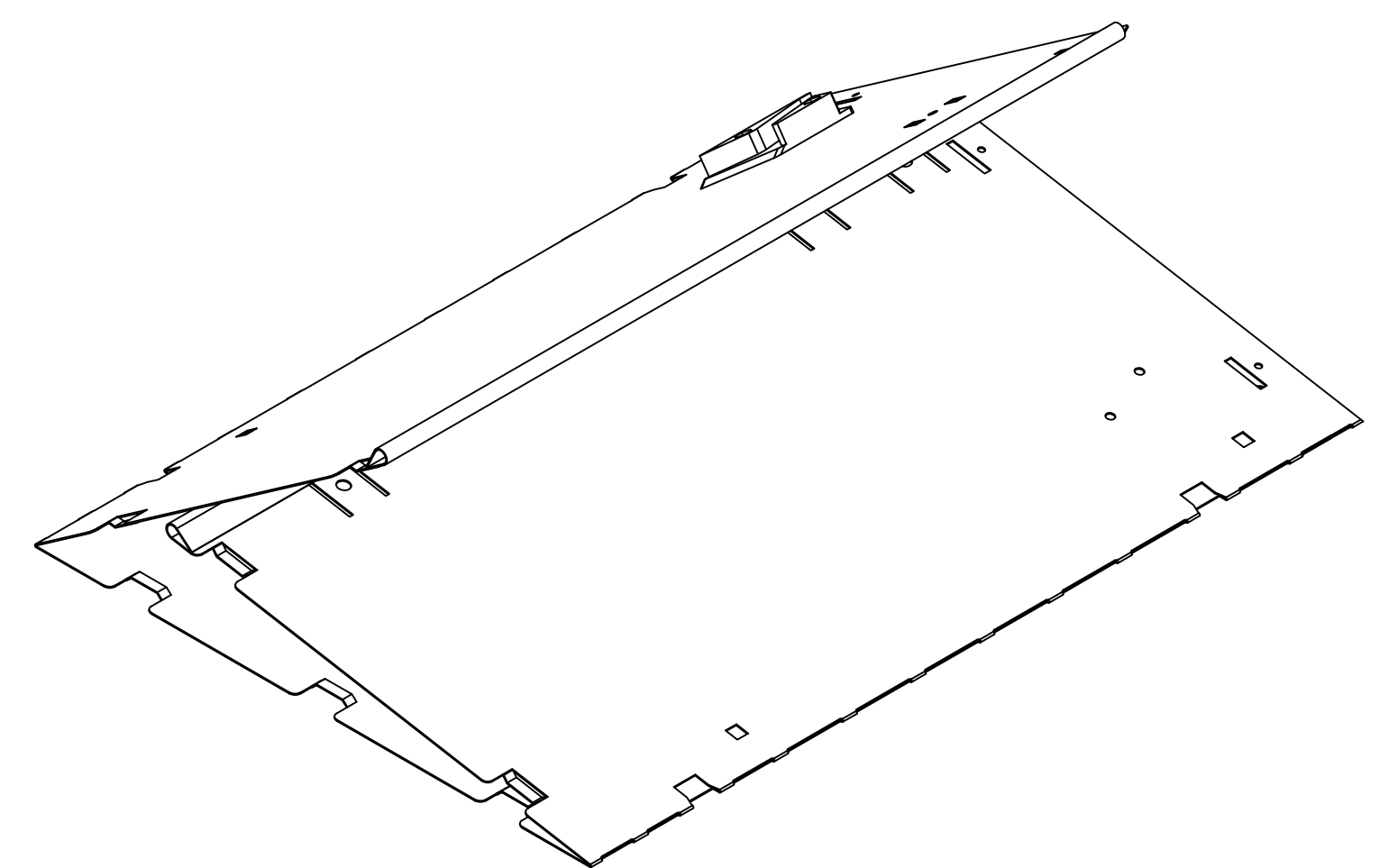
E×2



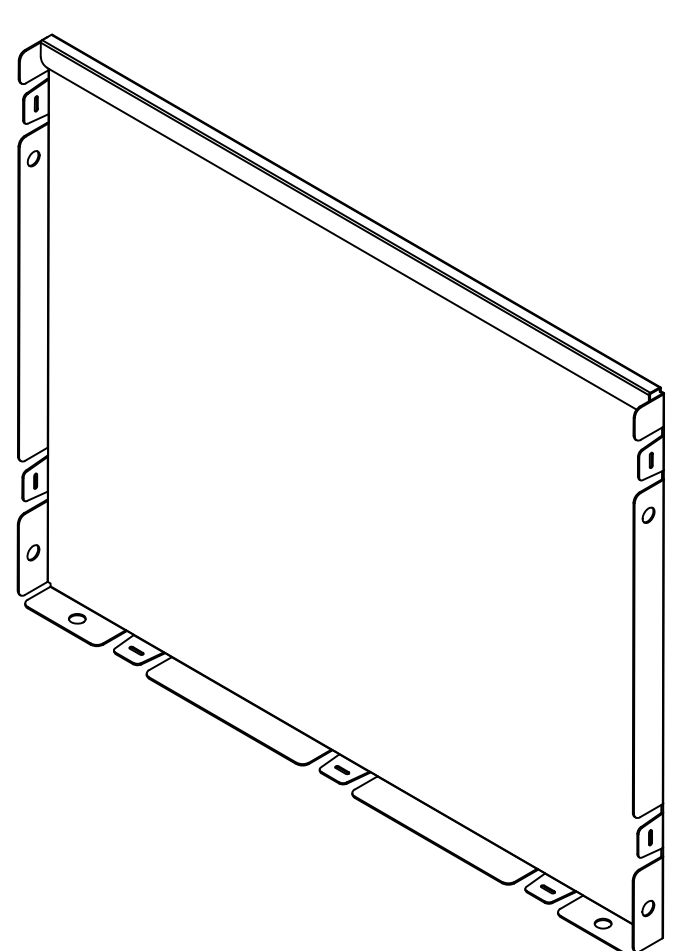
F×5



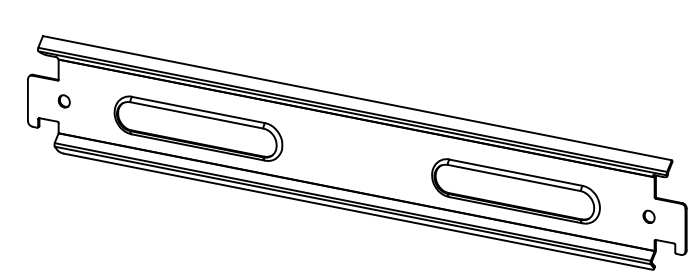
G×5



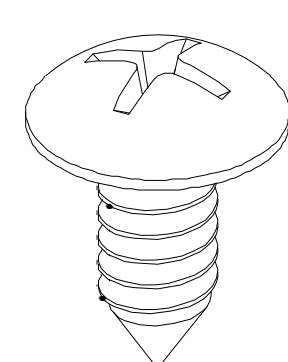
H×5



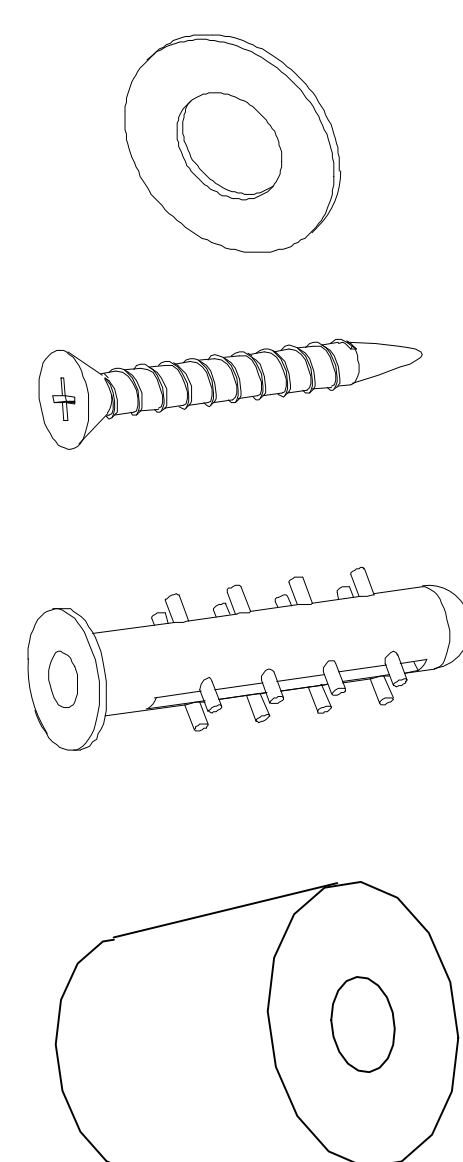
I×5



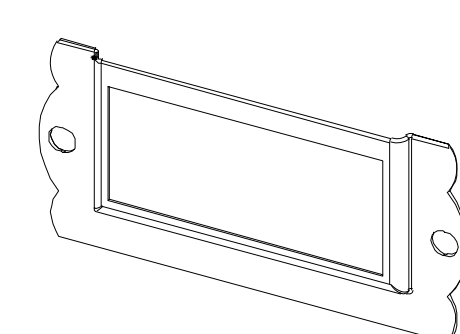
J×49



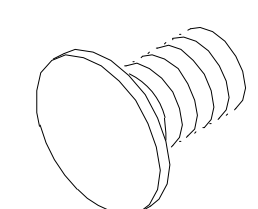
K×1



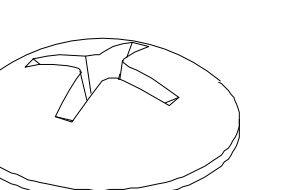
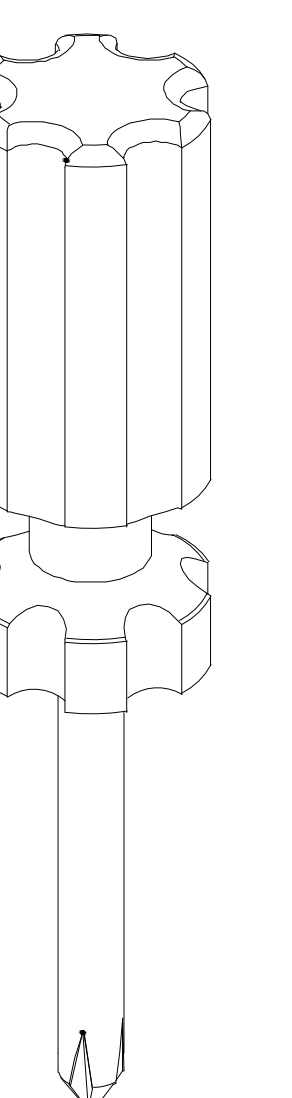
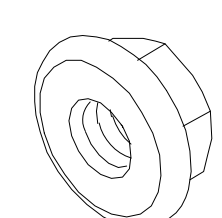
L×5



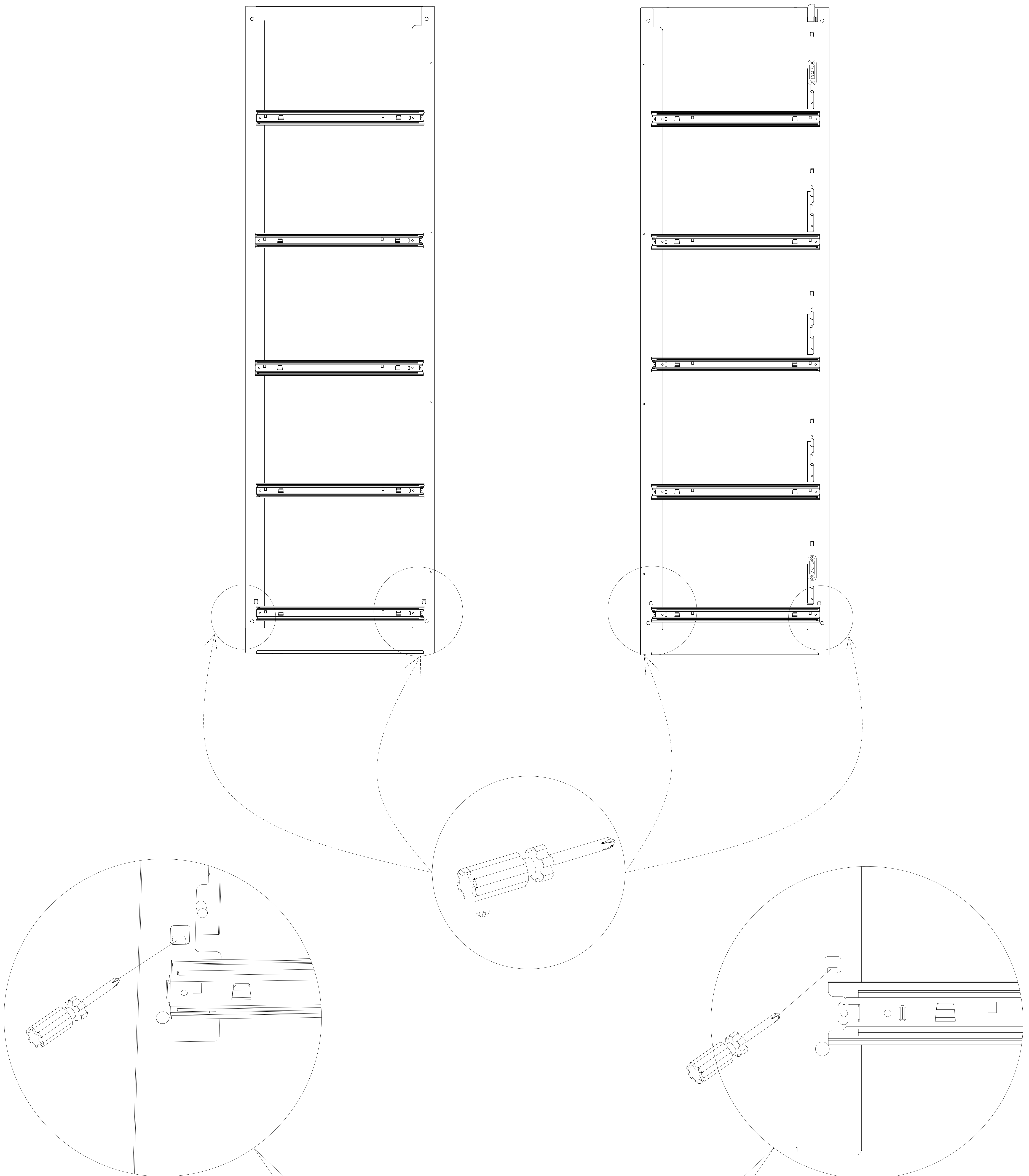
M×10



N×10



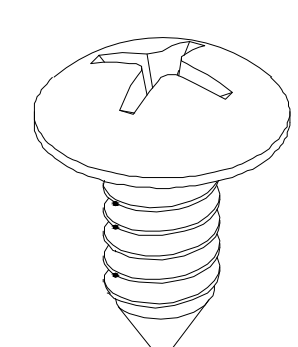
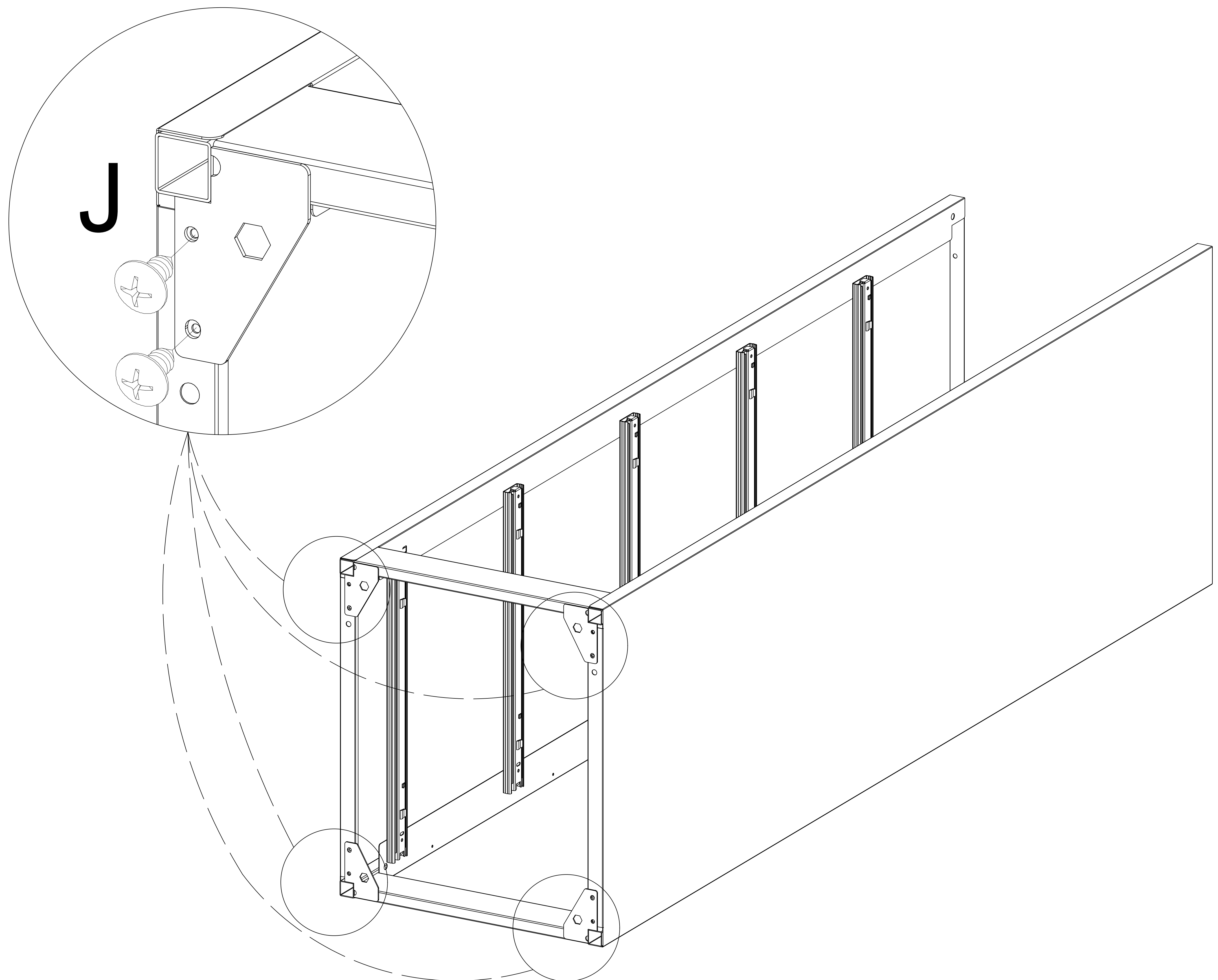
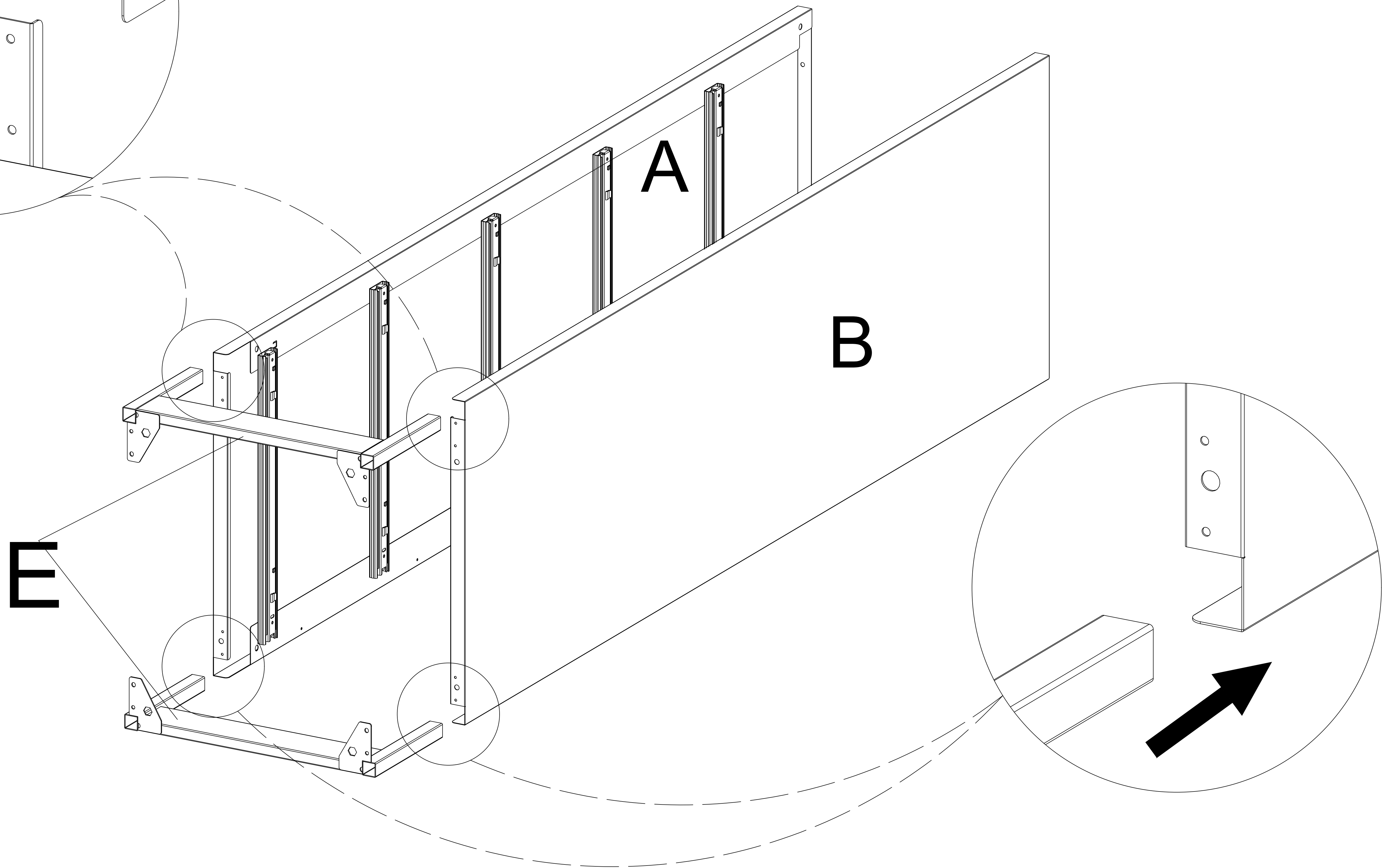
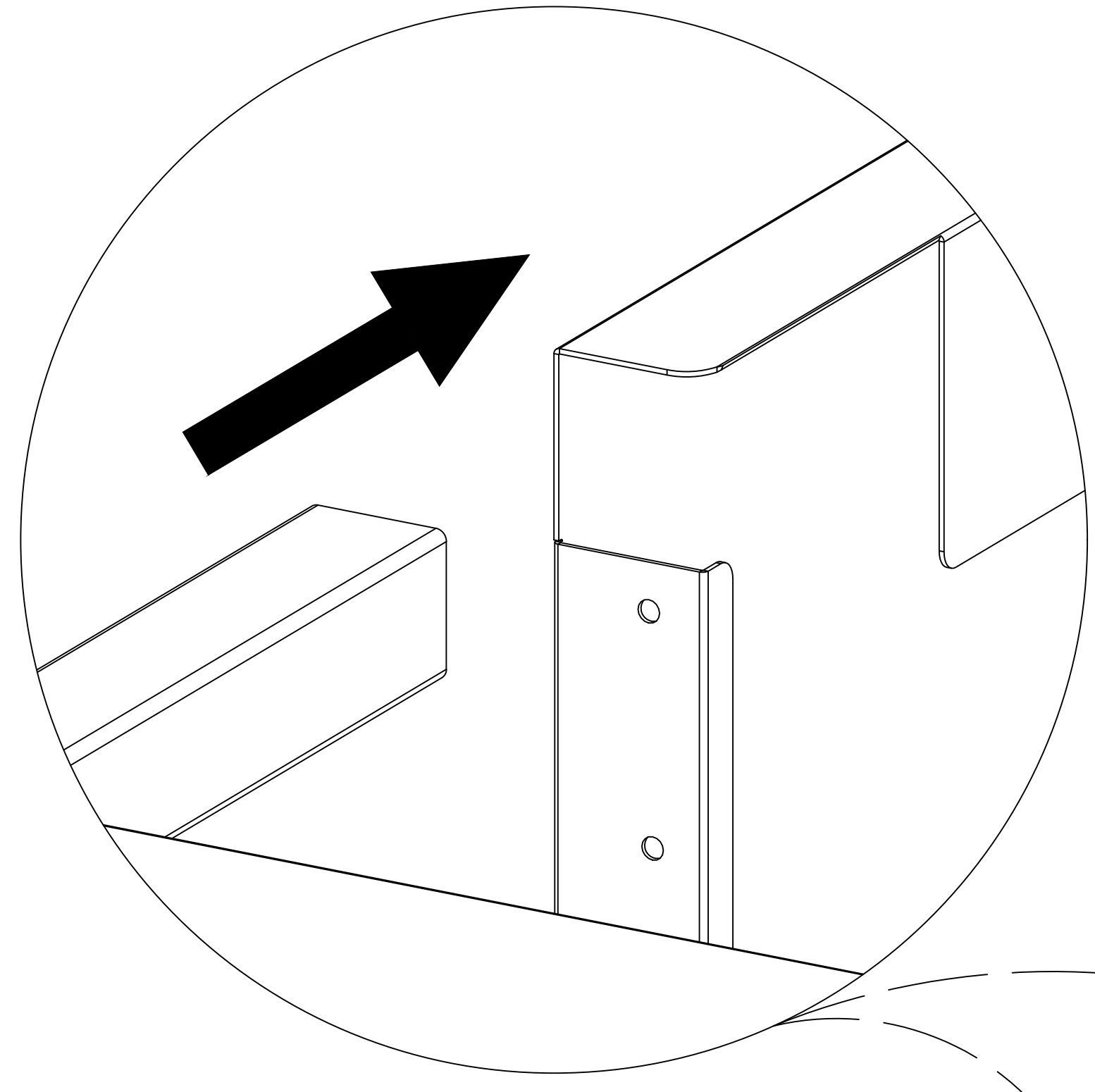
step 1



Before beginning assembly, use the screwdriver to bend the tabs on the left side panel A and right side panel B.

step 2

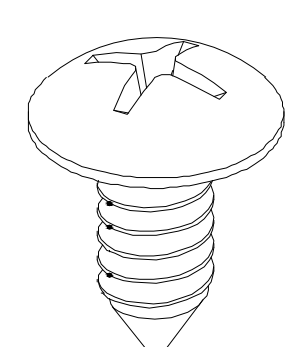
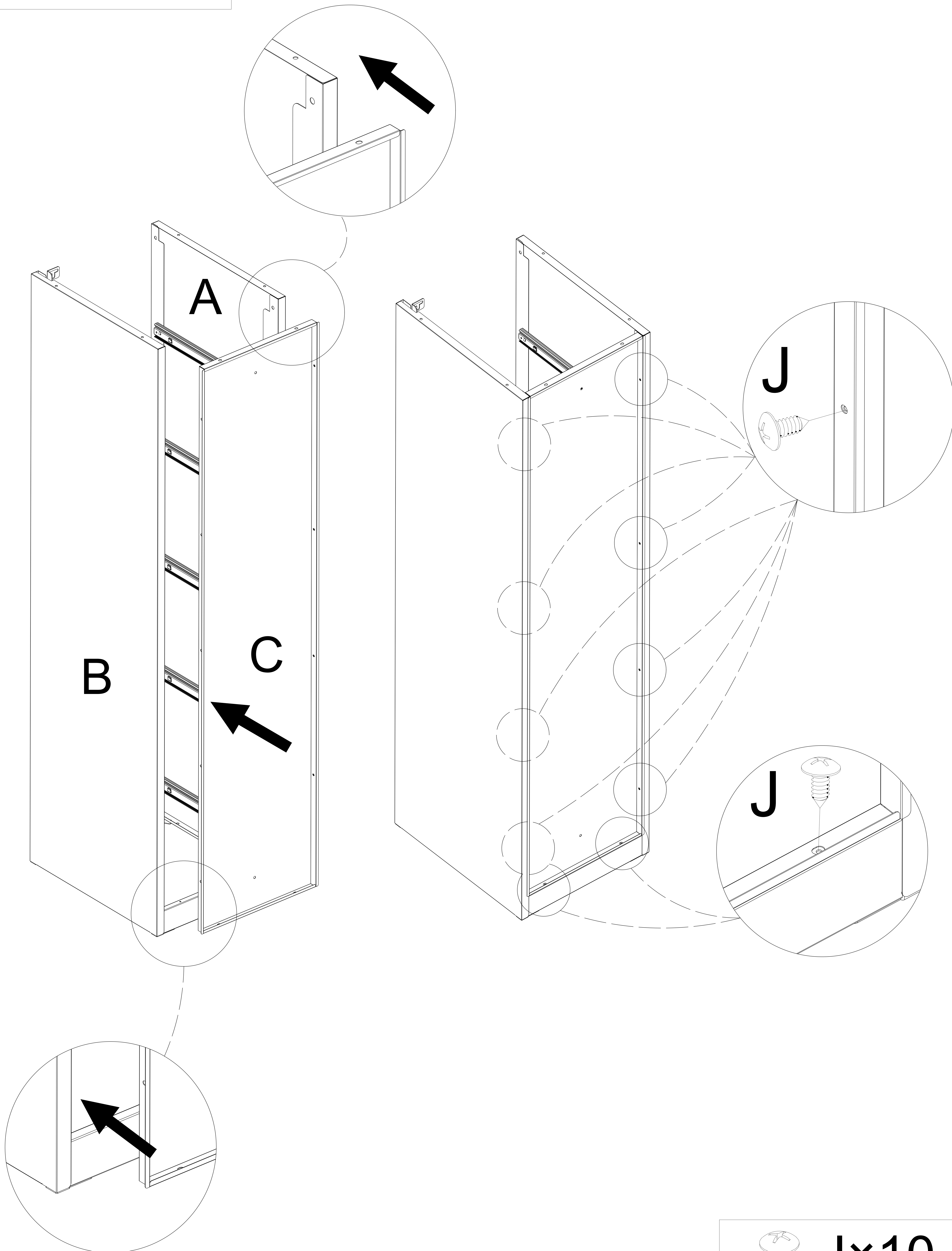
Insert Part E into the channels of the two side panels, and put eight screws in the holes to make them in place.



J×8

step 3

Put the rear wall into the cabinet with the floded up side facing outward , and put ten screws to hold it in place from the outside.

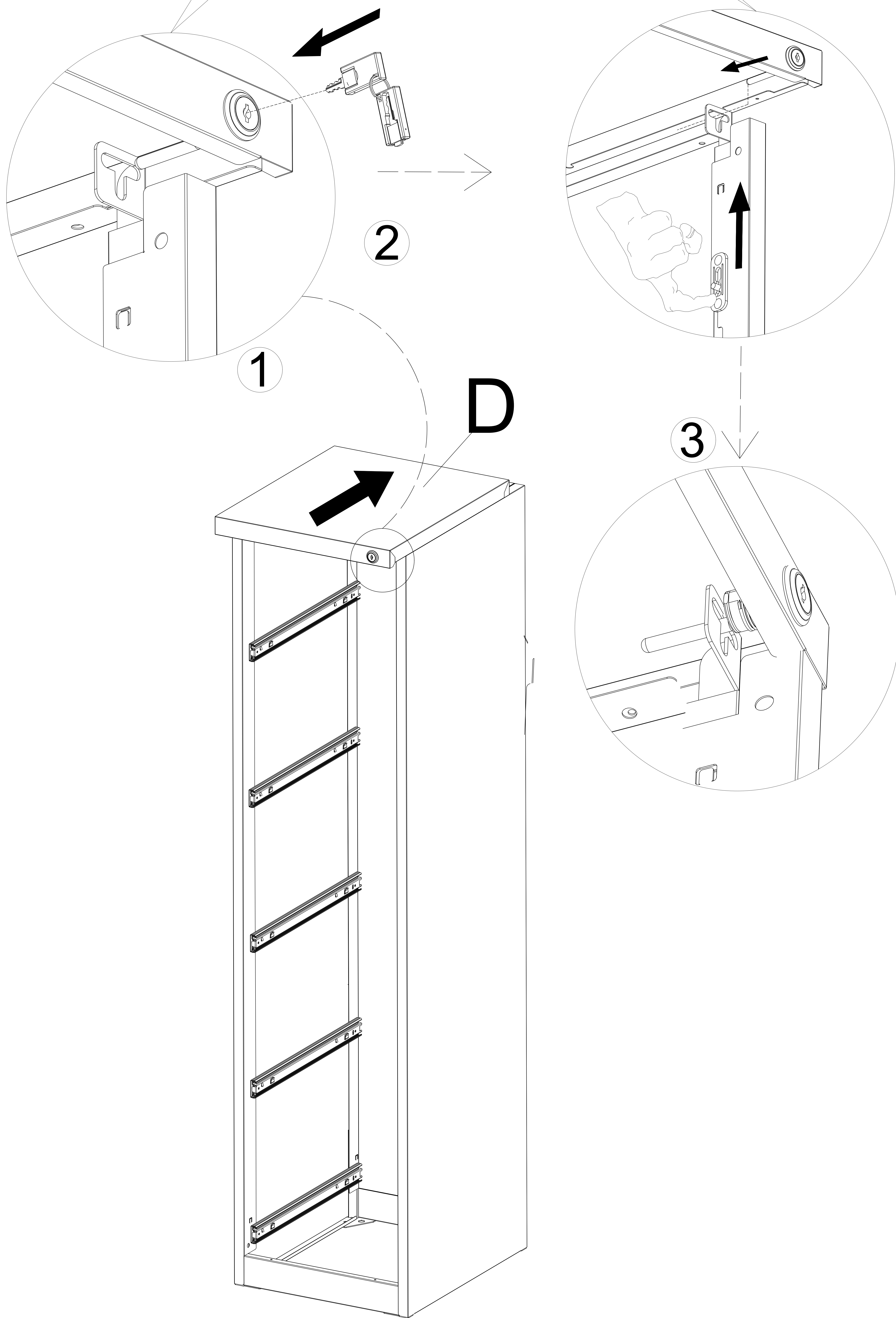


J x 10

step 4

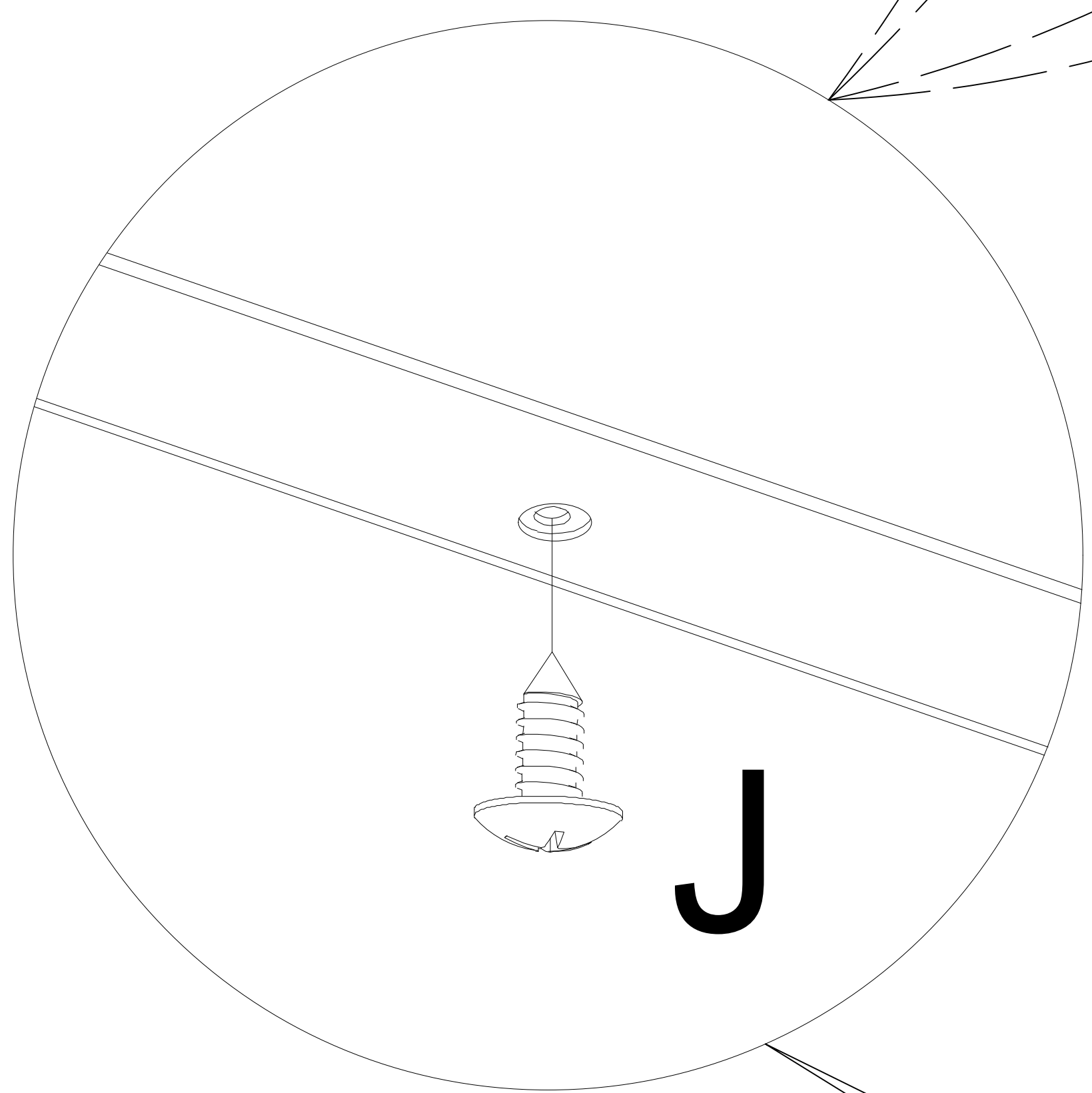
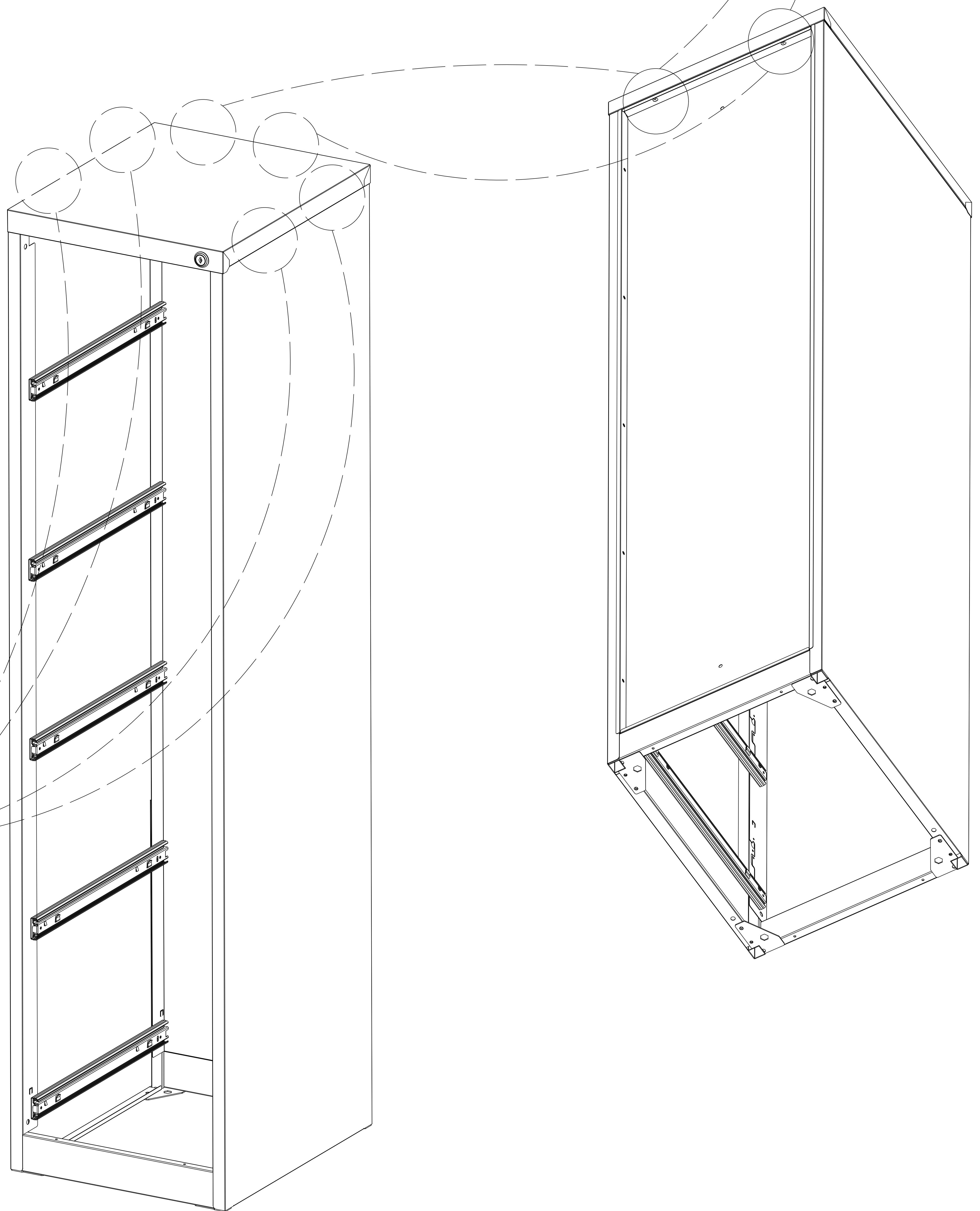
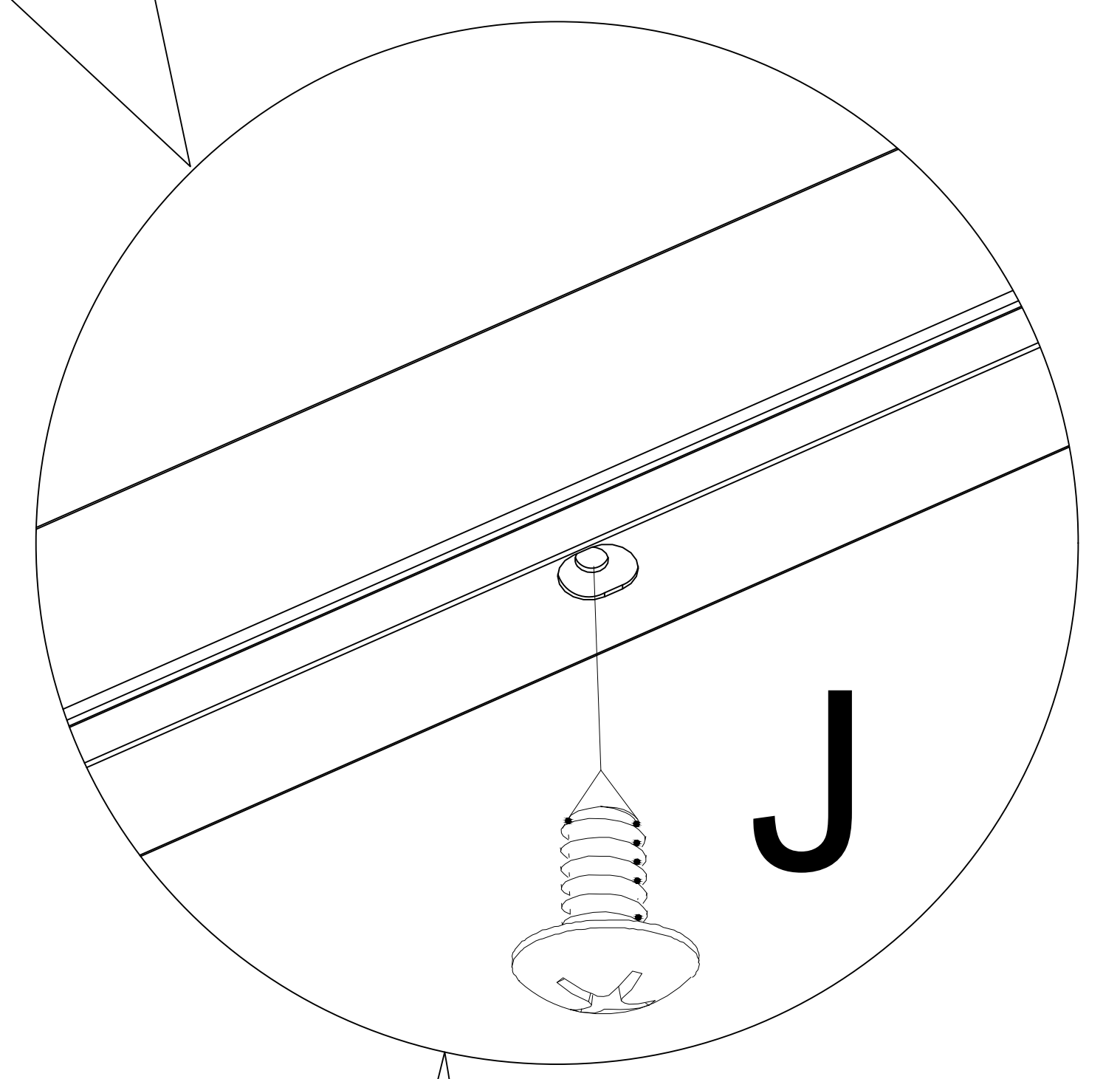
First, use the key to turn the lock on the top plate 180 degrees clockwise so that the metal rod behind the lock is near the bottom and the lock is in the open position.

Slowly push the right locking lever upwards and then push the top plate D backward into place. Ensure that the locking bar is inserted into the T-hole in the side panel.

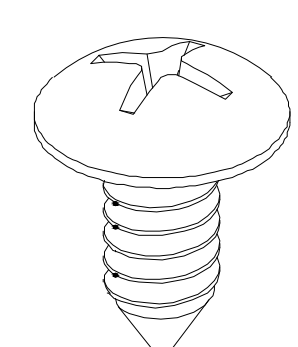


step 5

Use two screws to secure the top panel from outside.



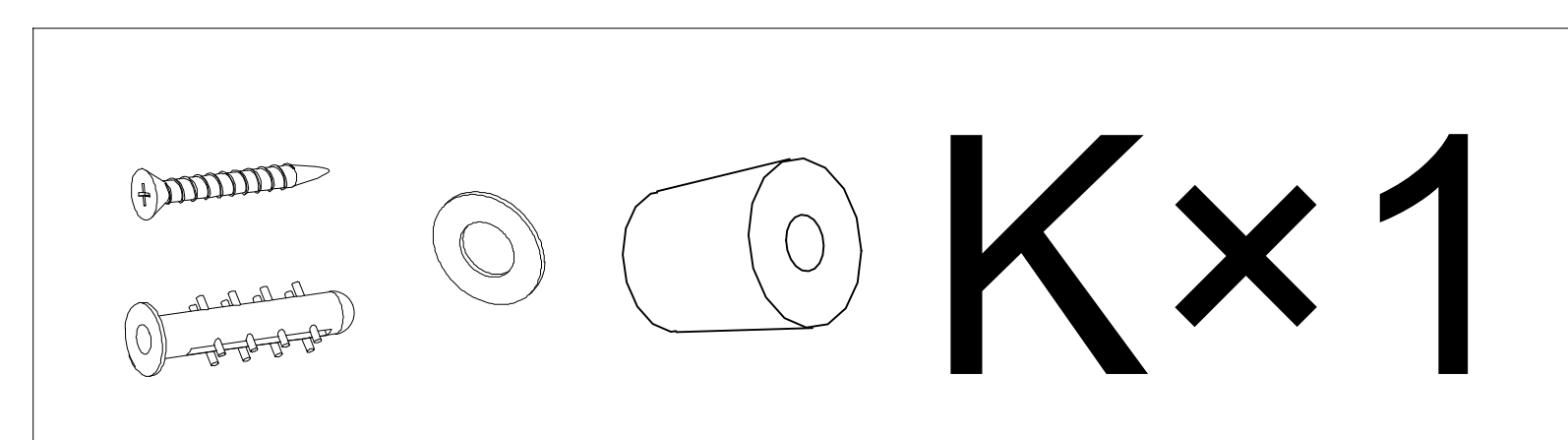
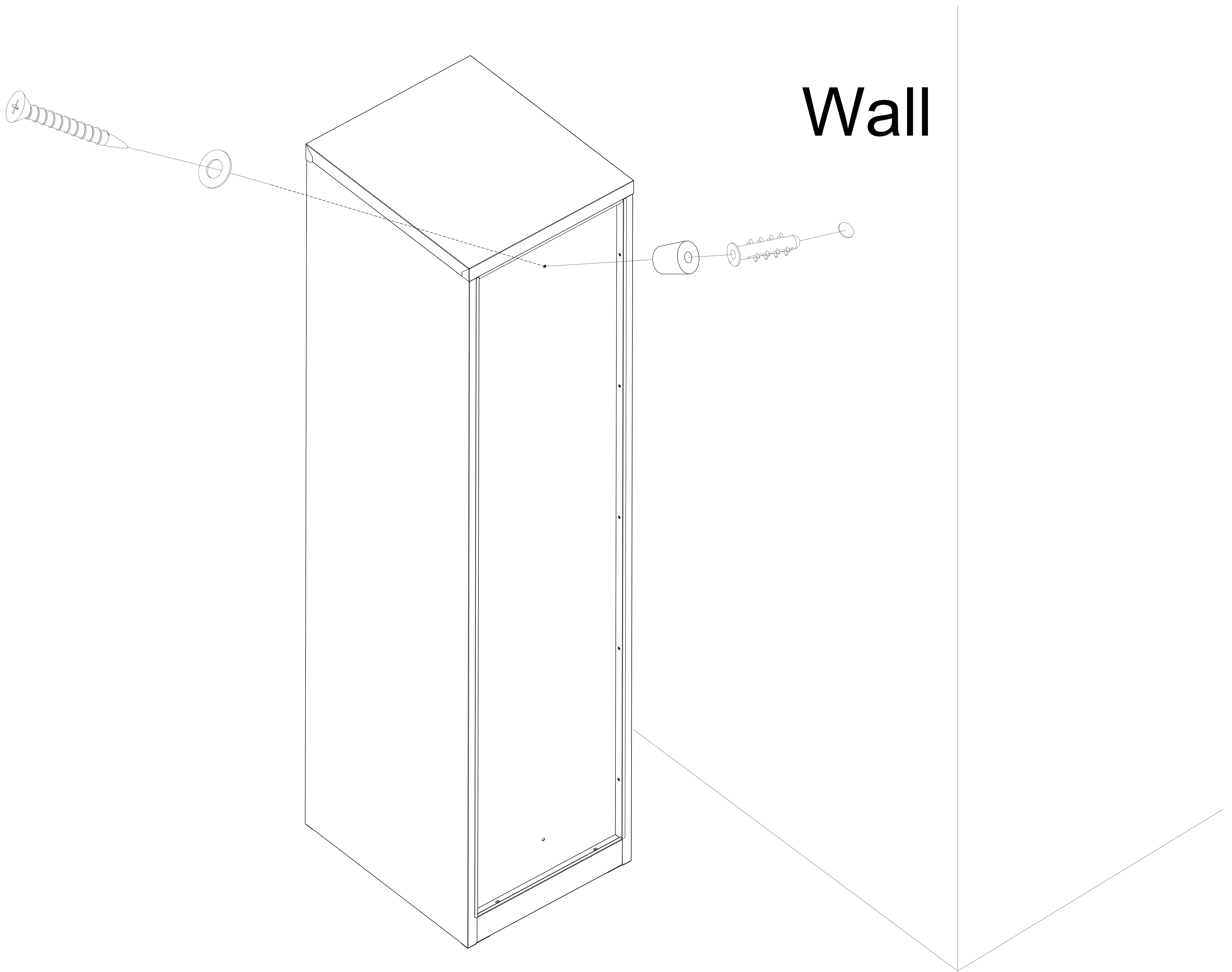
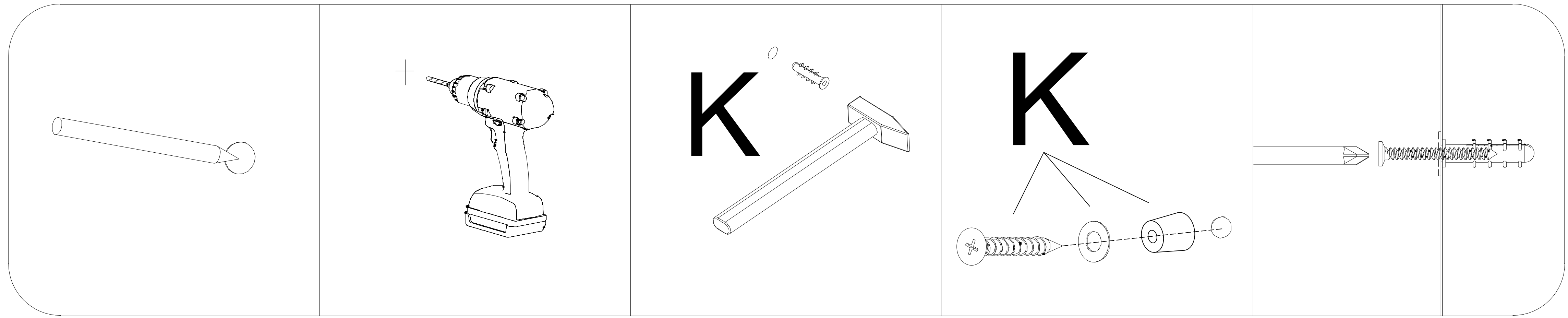
Use four screws to secure the top panel from inside.



J×6

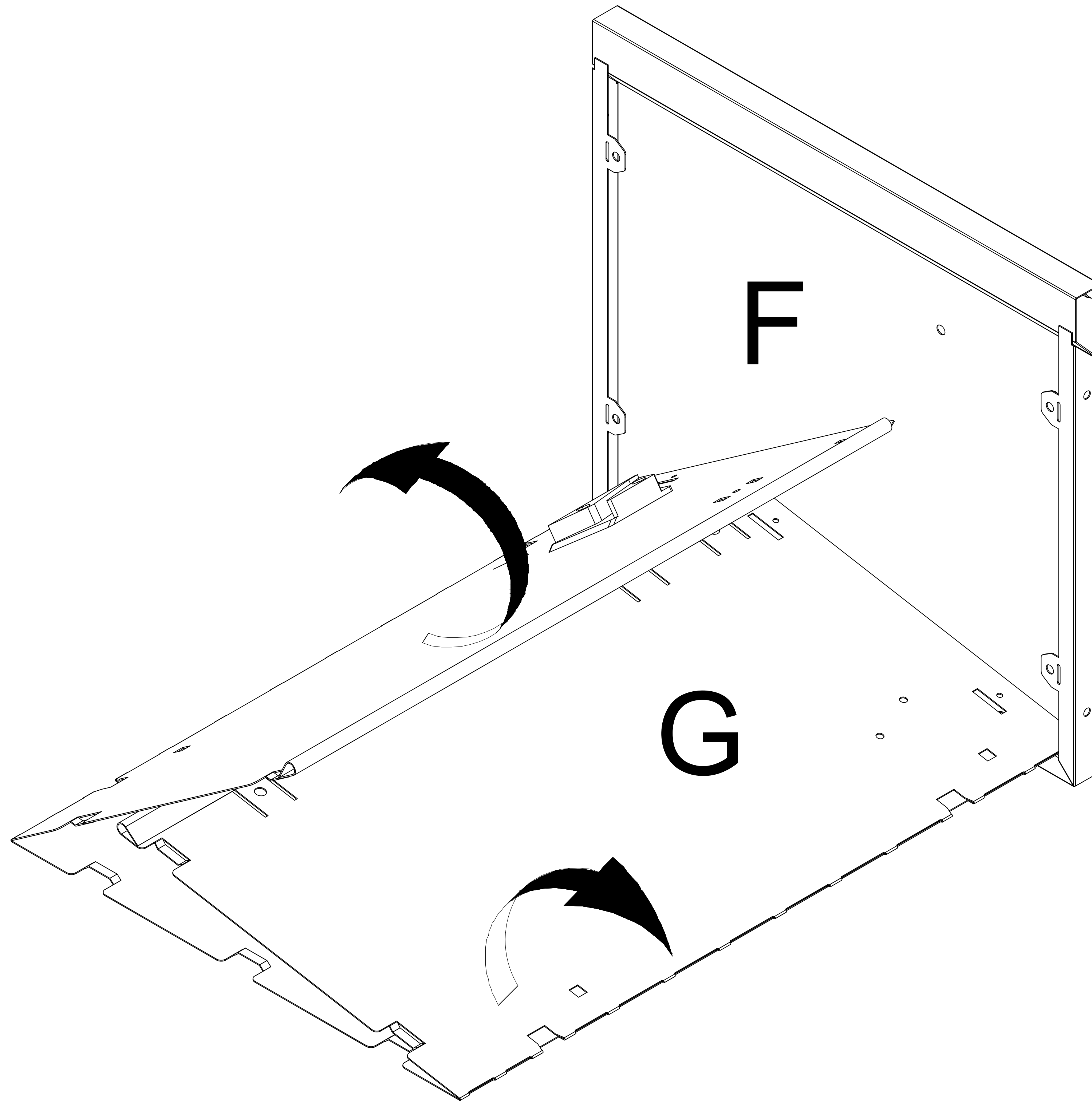
step 6

The cabinet can be fixed to the wall as needed.

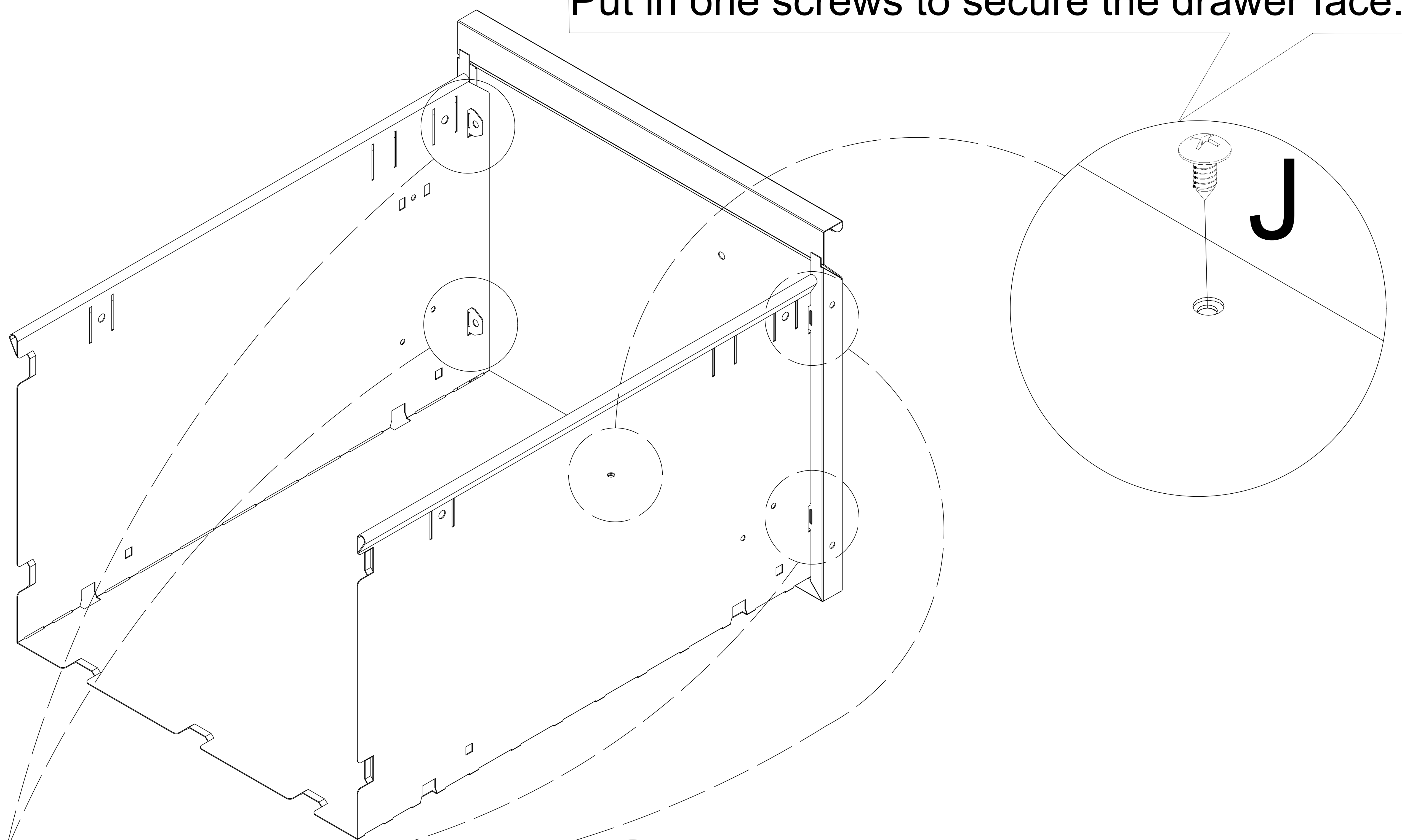


step 7

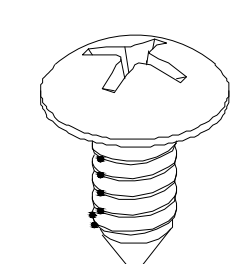
Bend the side walls of the drawer to vertical.



Put in one screws to secure the drawer face.



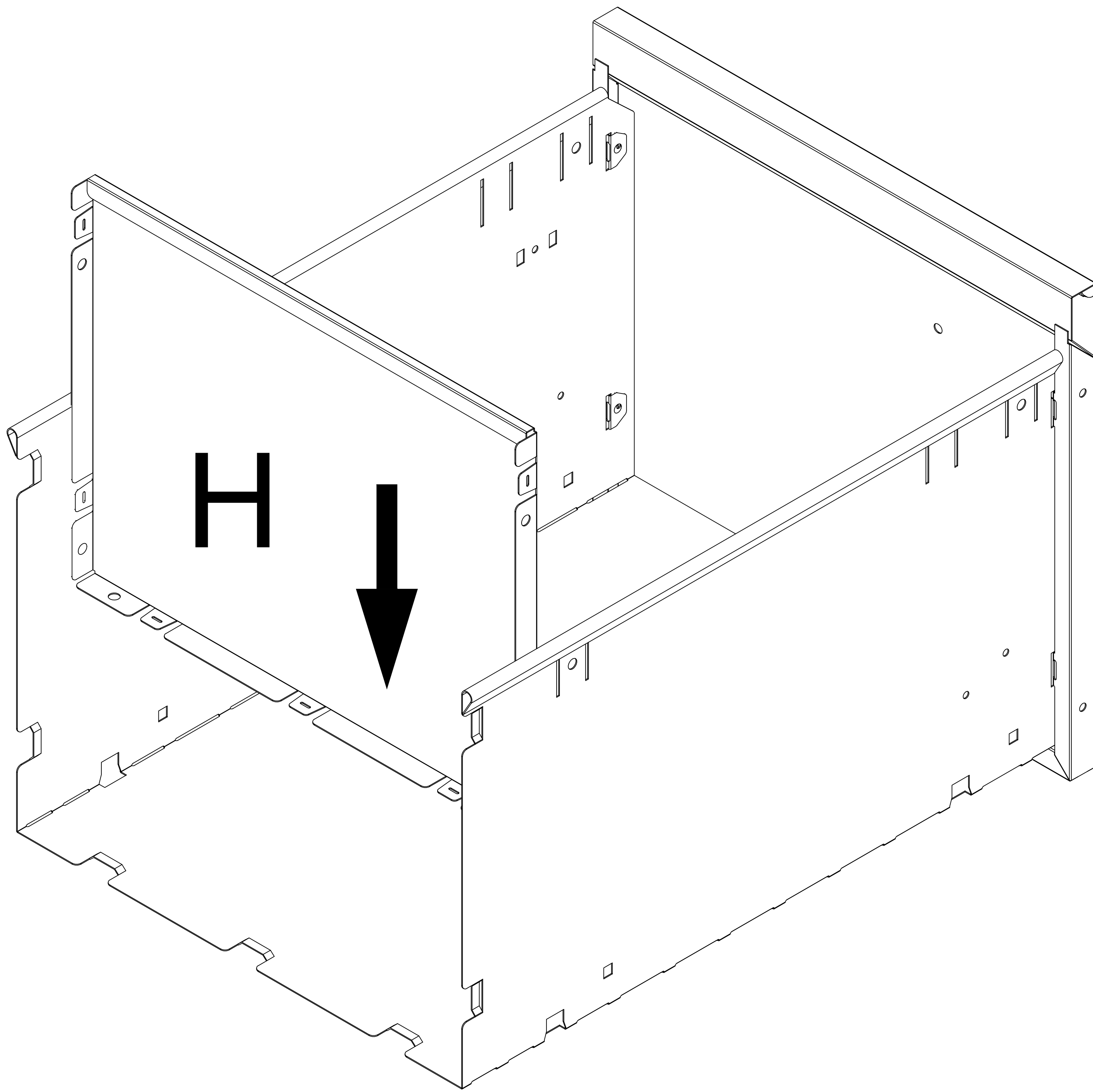
Bend the tabs on the drawer faces. Put four screws to hold them in place.



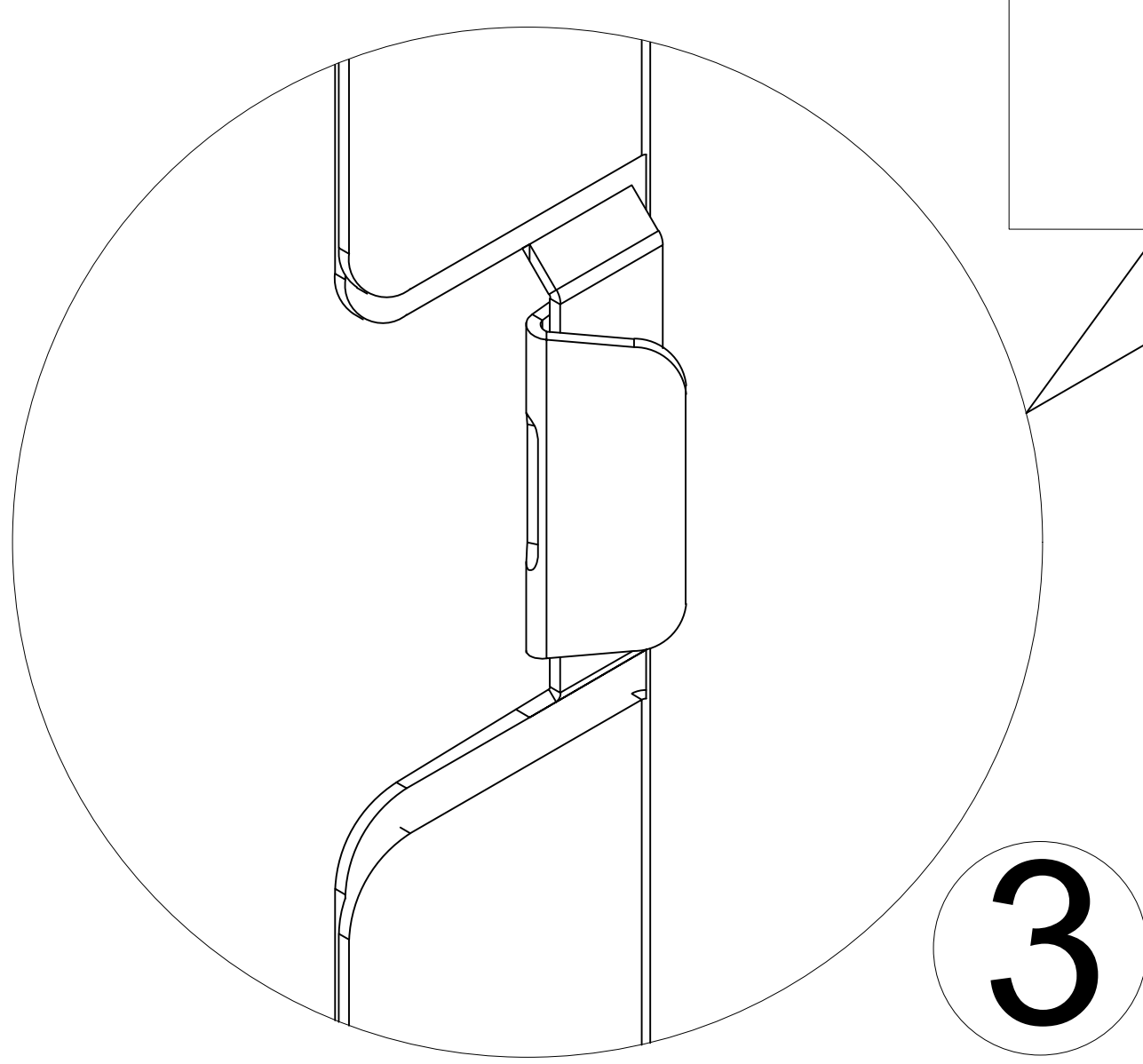
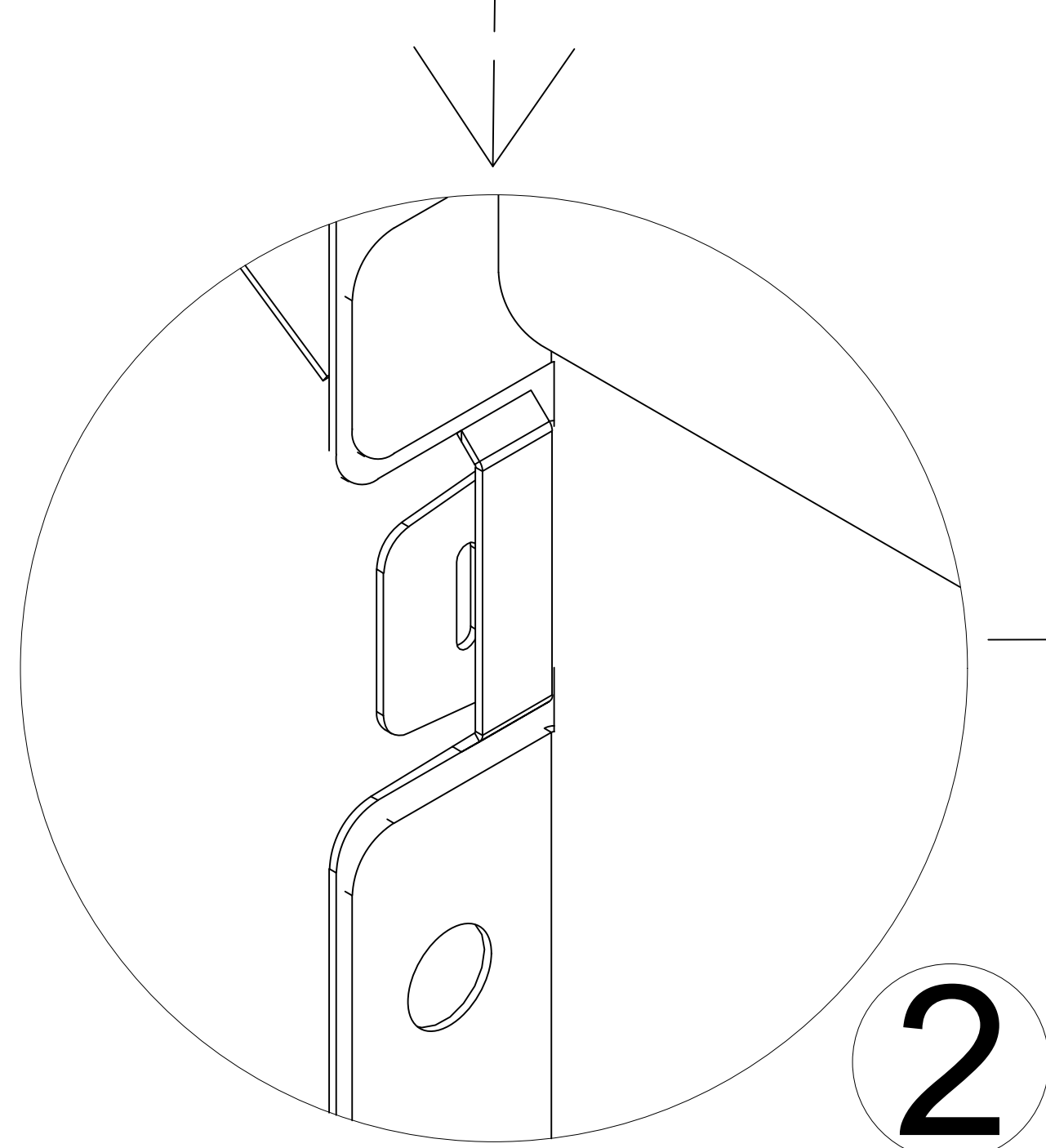
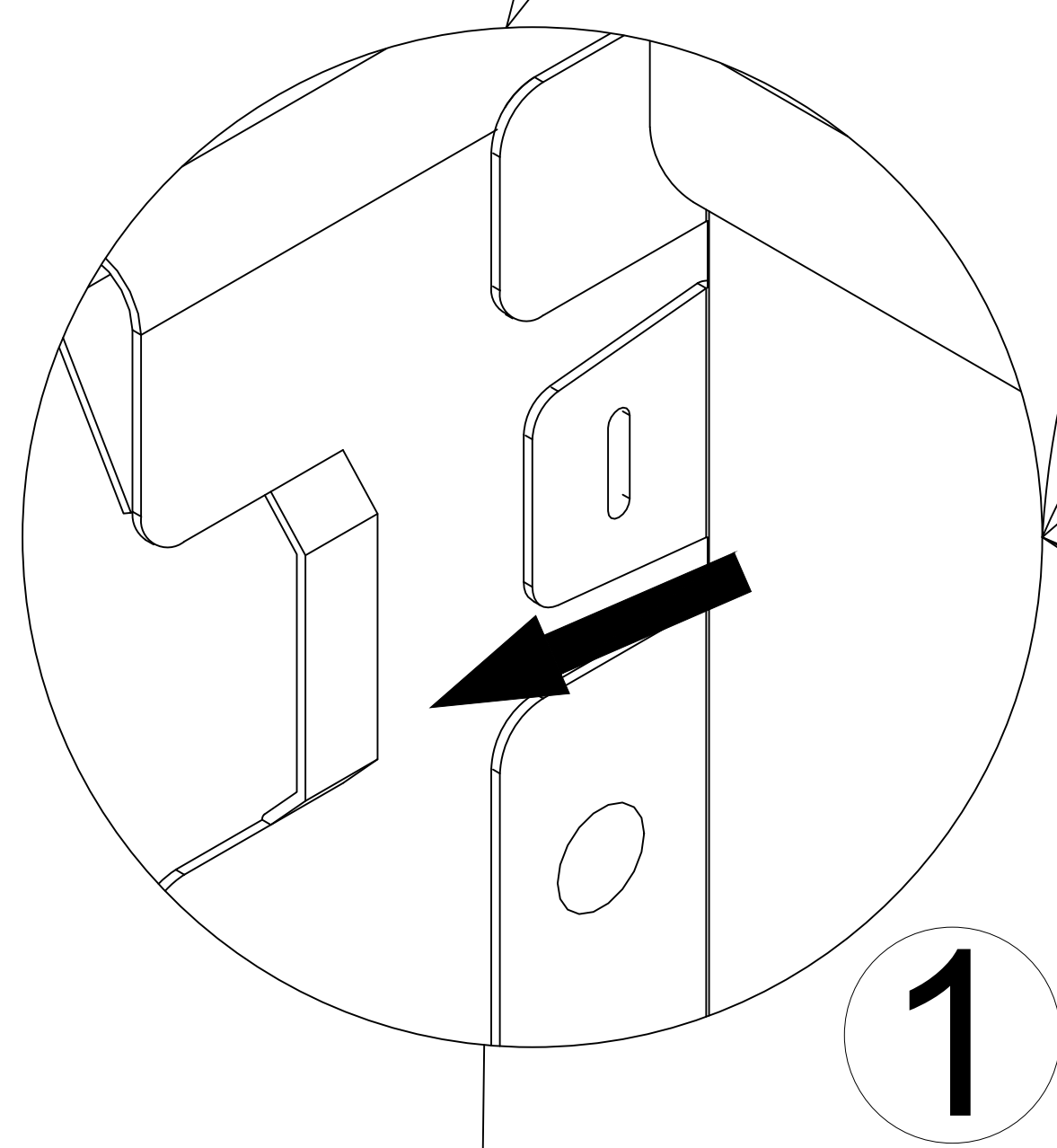
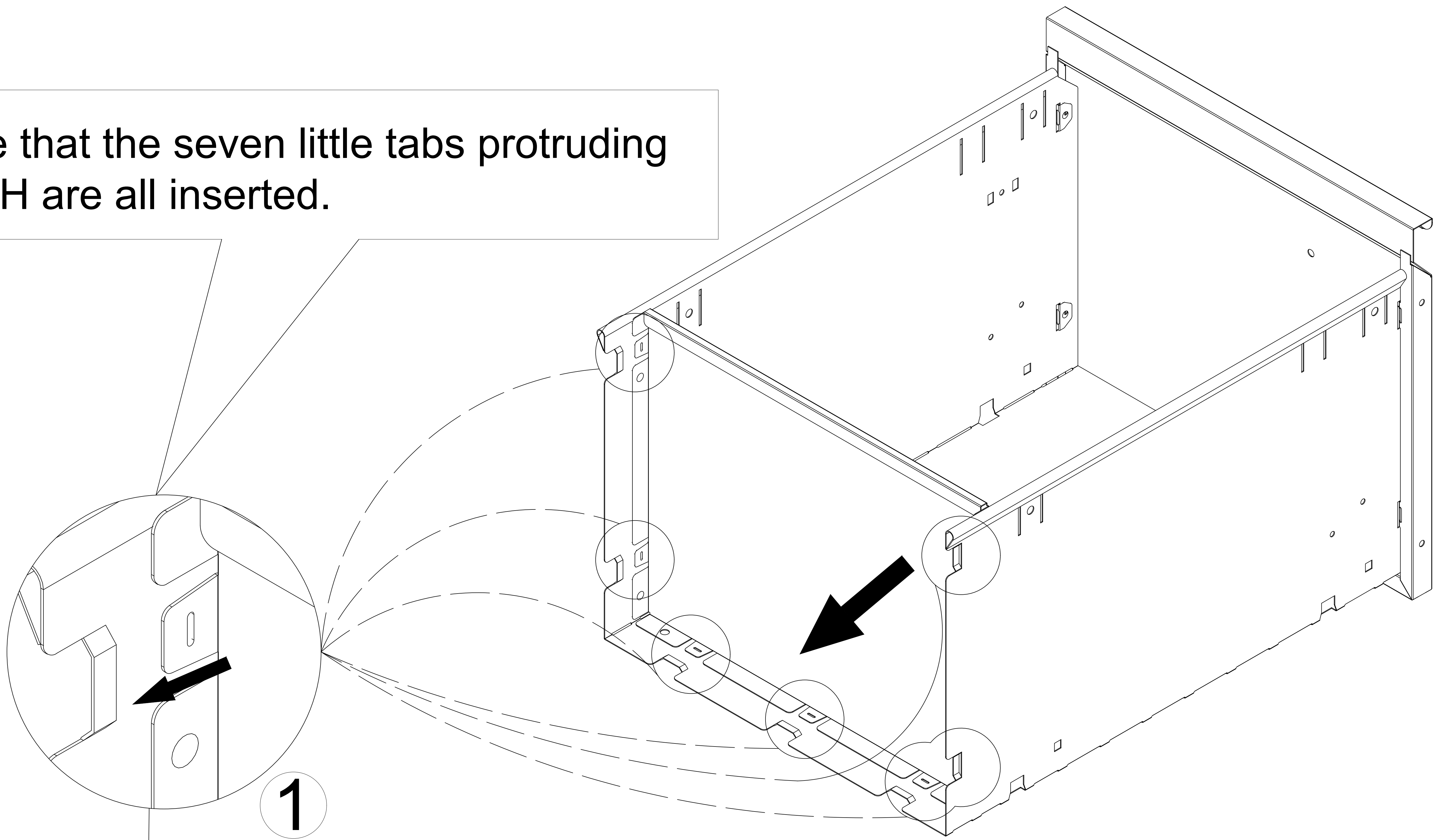
J×5

step 8

Insert the drawer back wall H from the inside.



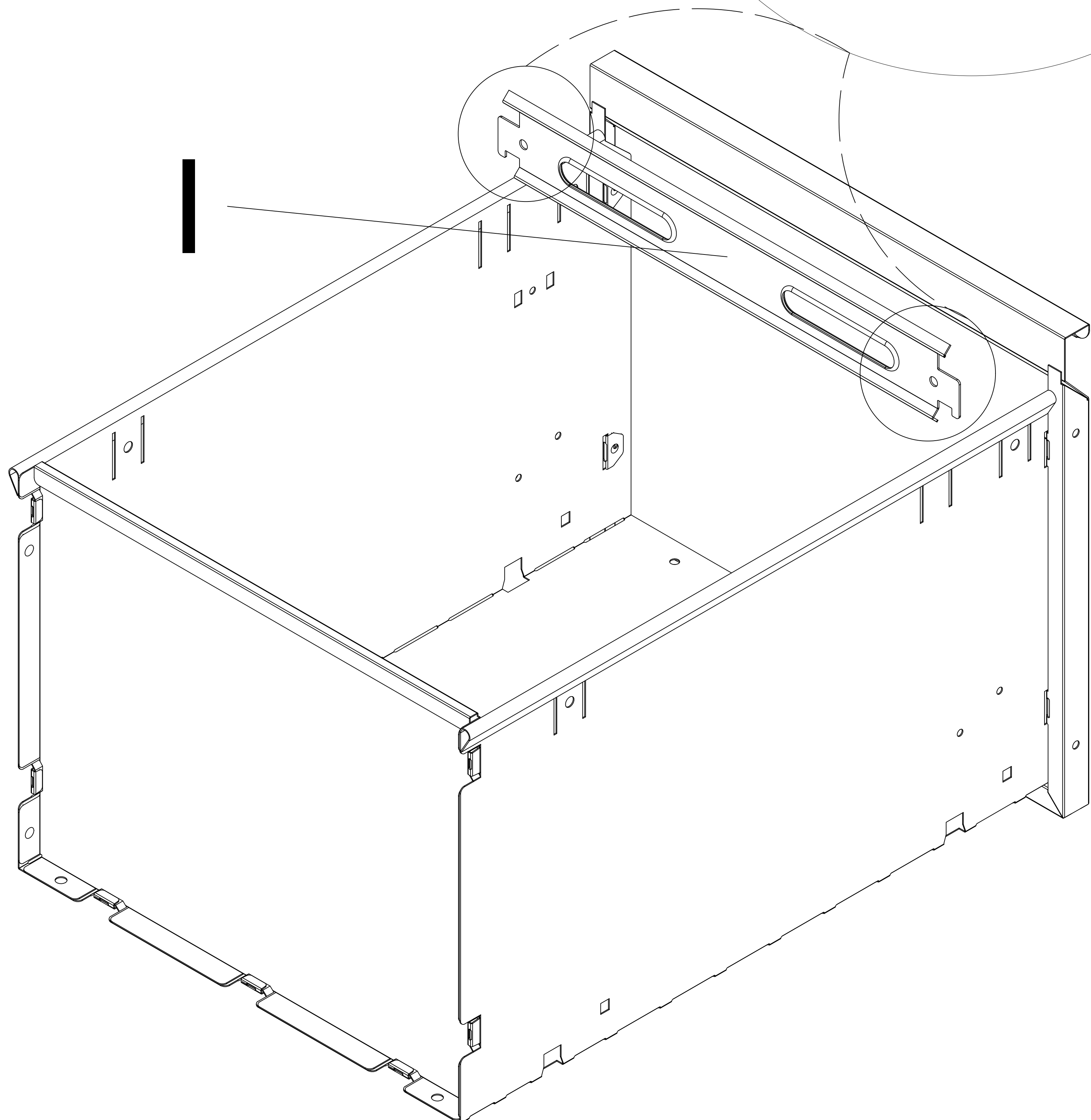
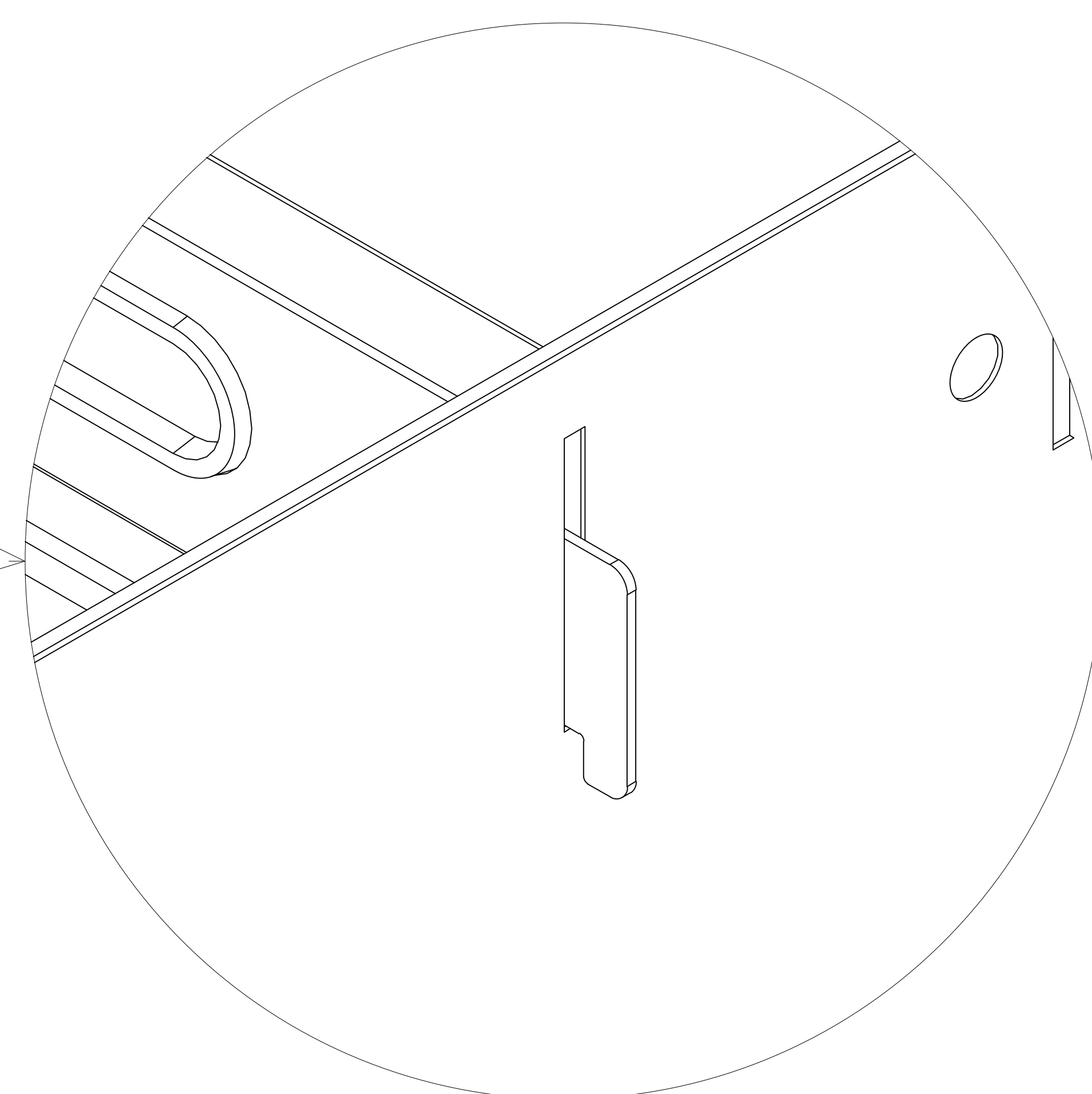
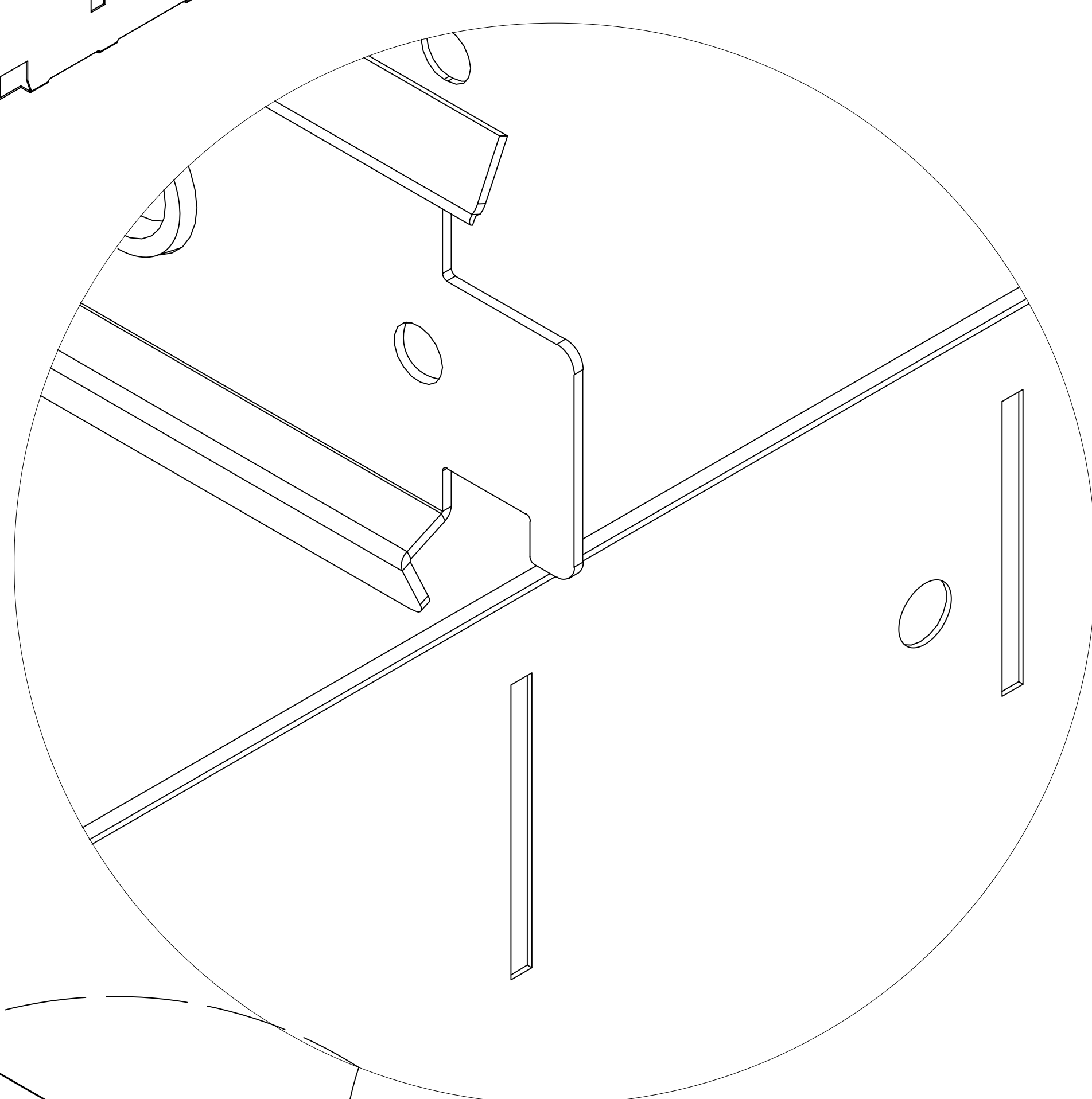
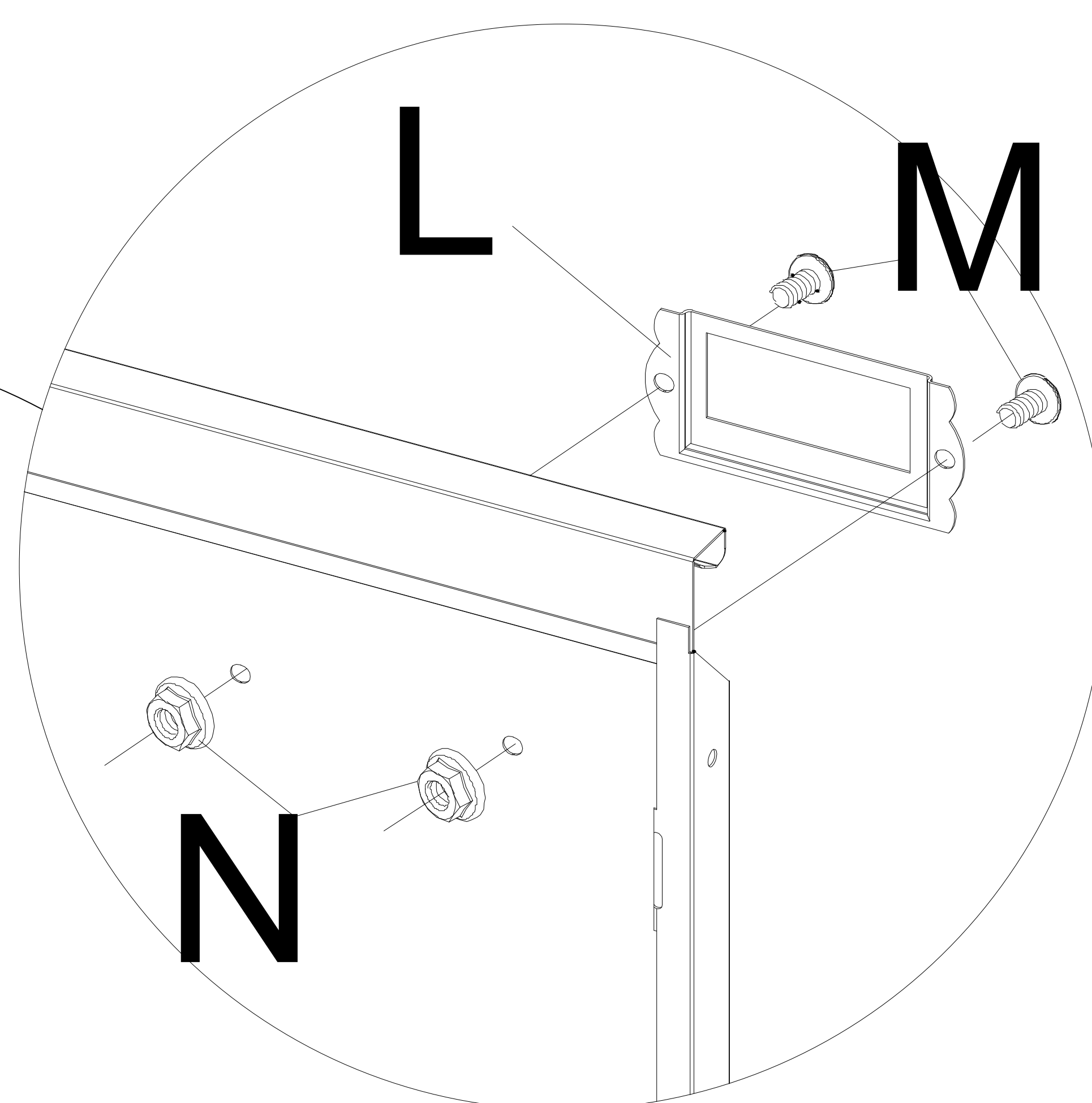
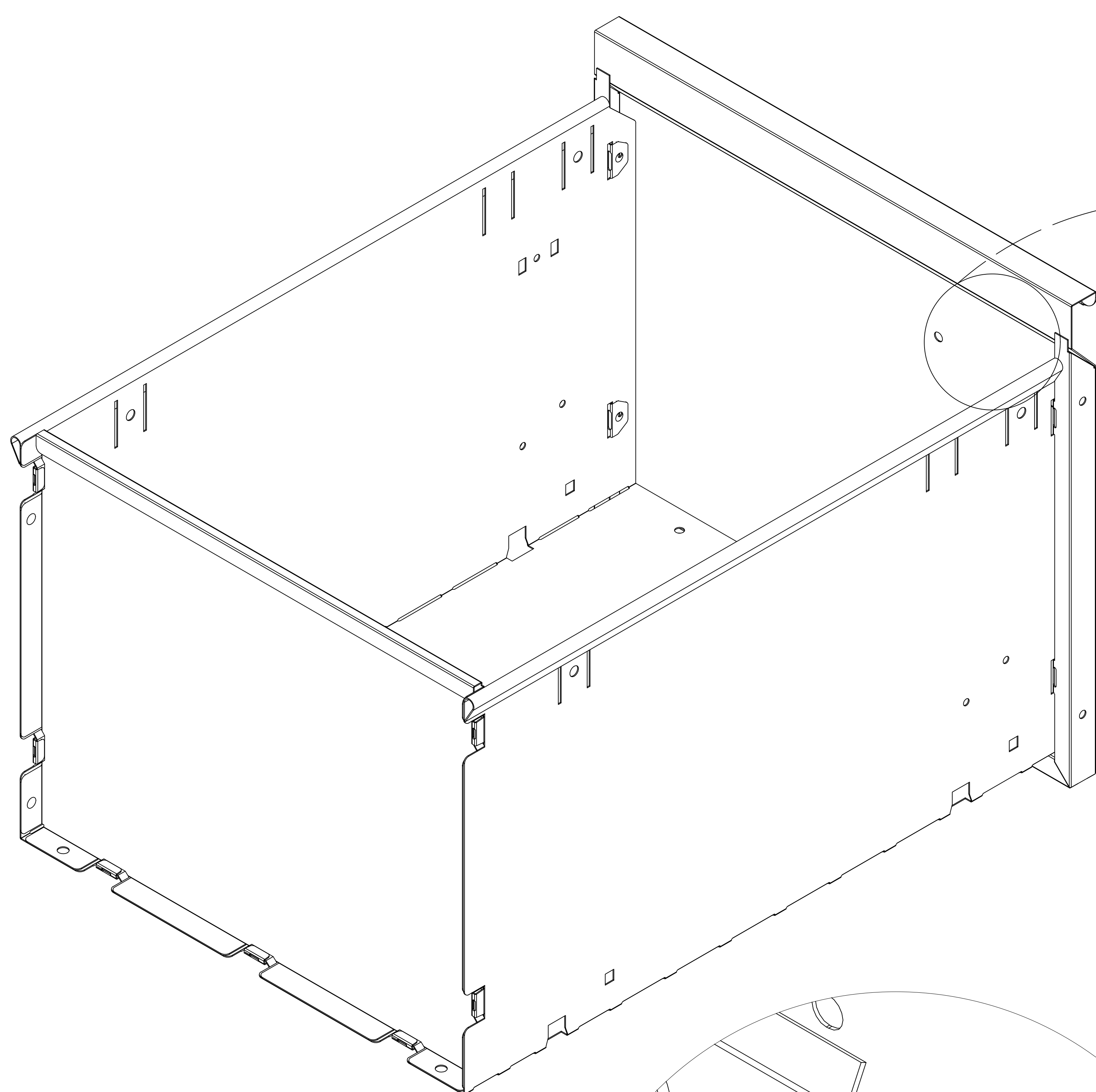
Make sure that the seven little tabs protruding from Part H are all inserted.



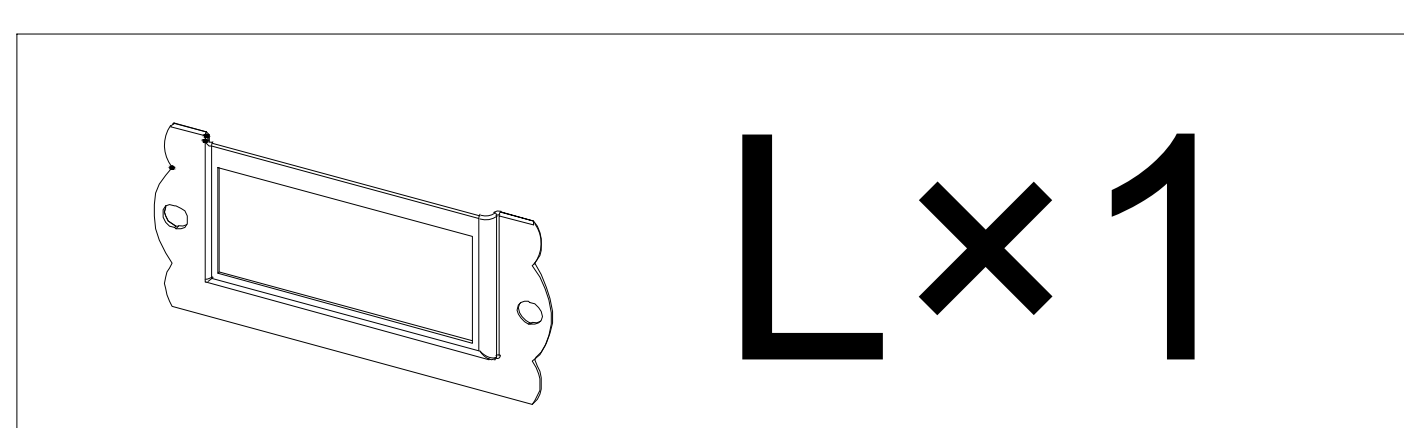
Then bend the circled seven tabs.

step 9

Secure the label frame L to the drawer face F with two sets of bolts and nuts.



The file hanging bar can be put inside.



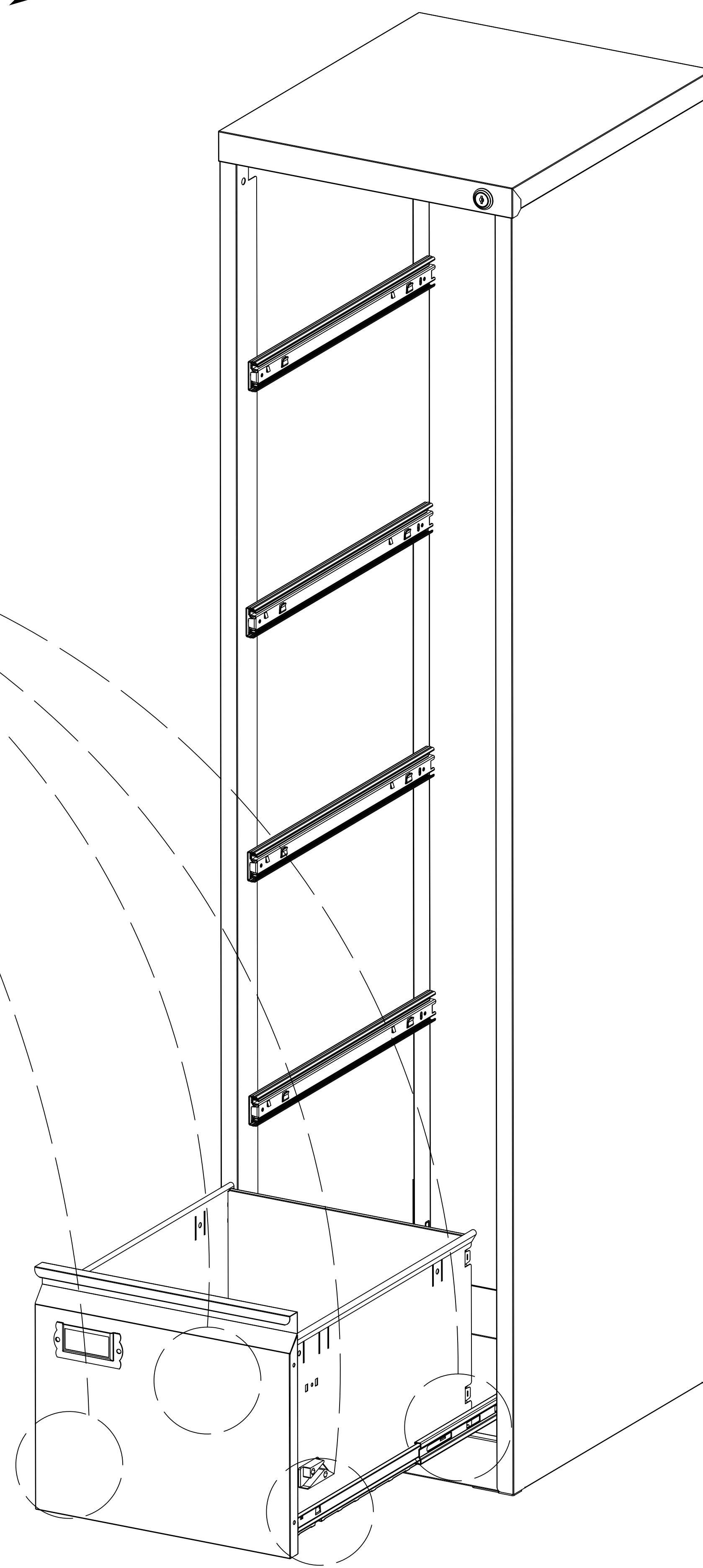
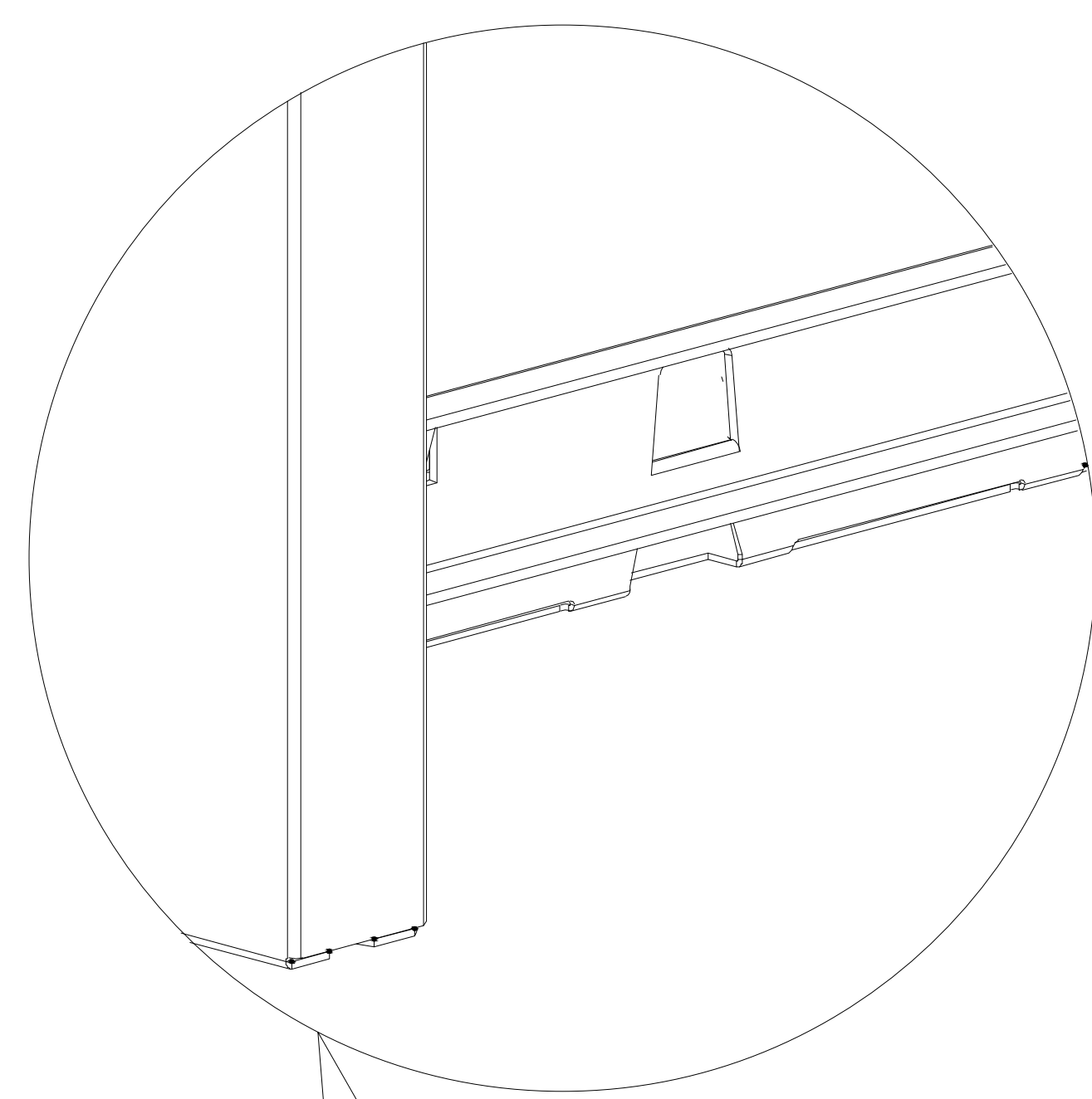
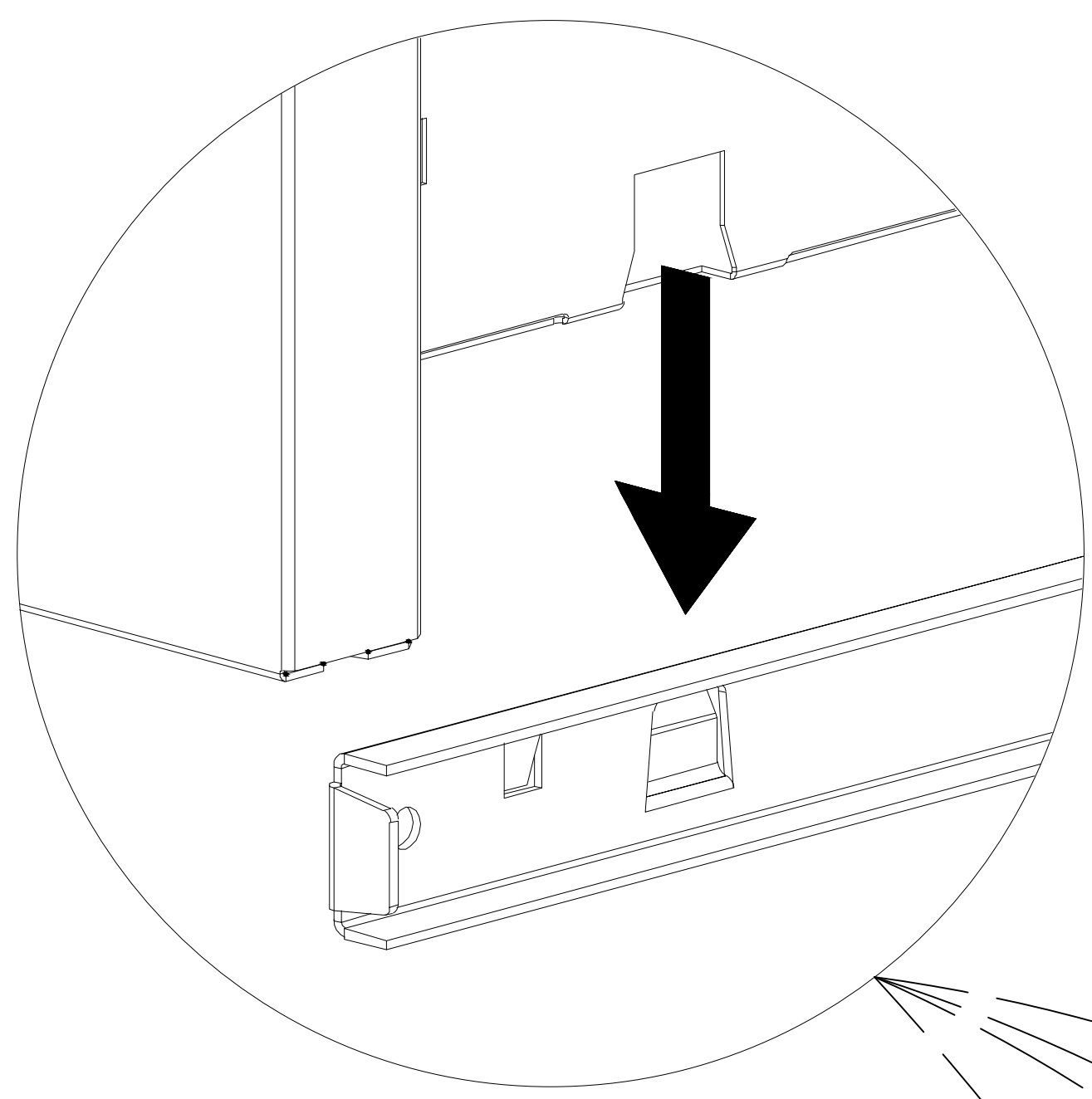
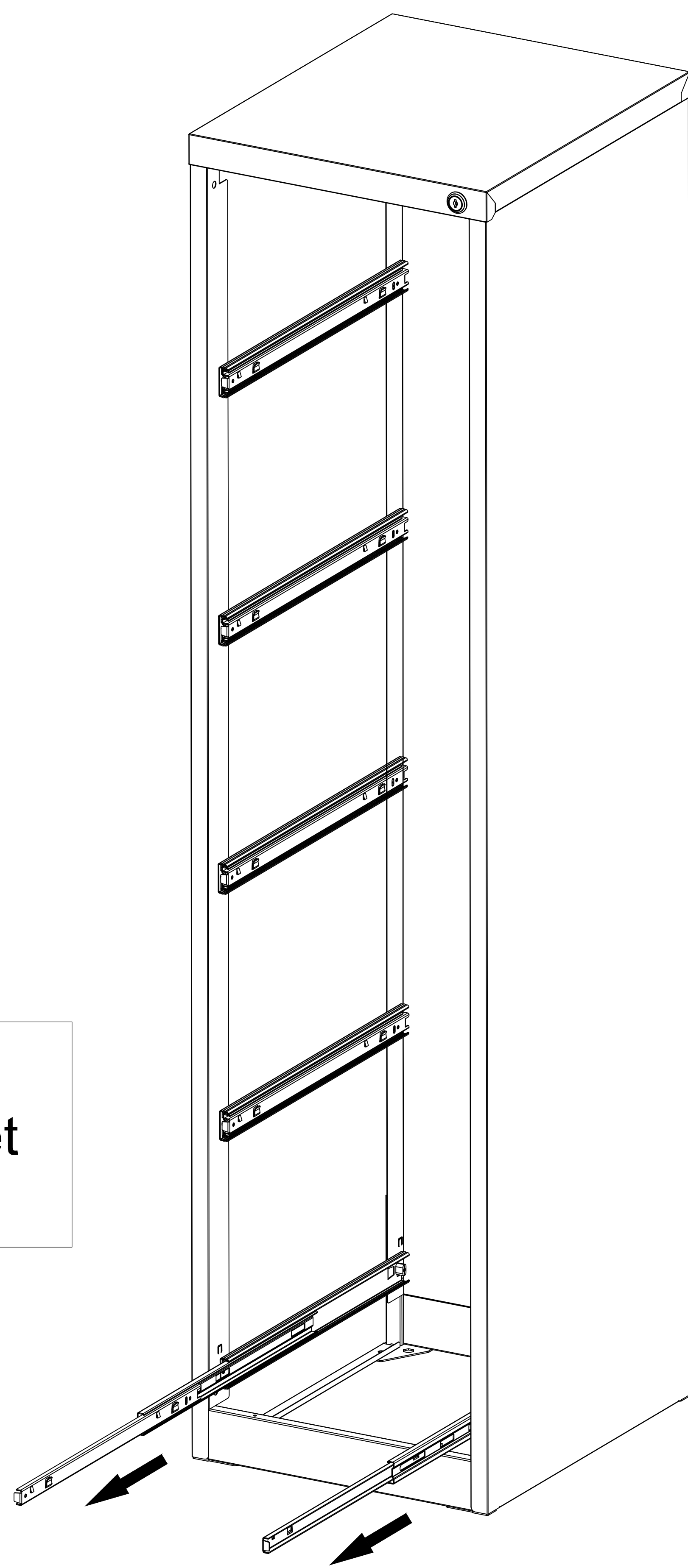
step 10

Once the top panel is in place, insert the key into the lock, keep the lock in the open position (turned 180 degrees clockwise), and then make sure the lever at the end of the lock is in the position shown (near the bottom), otherwise the drawer will not be able to be fully closed after installation.



step 11

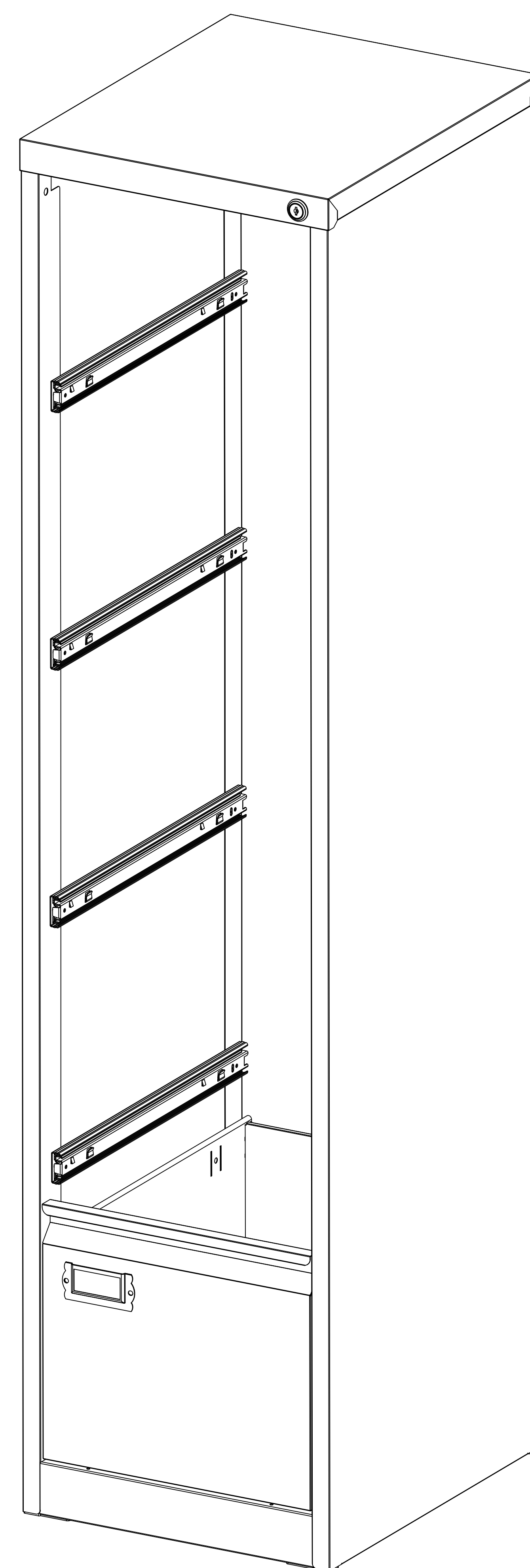
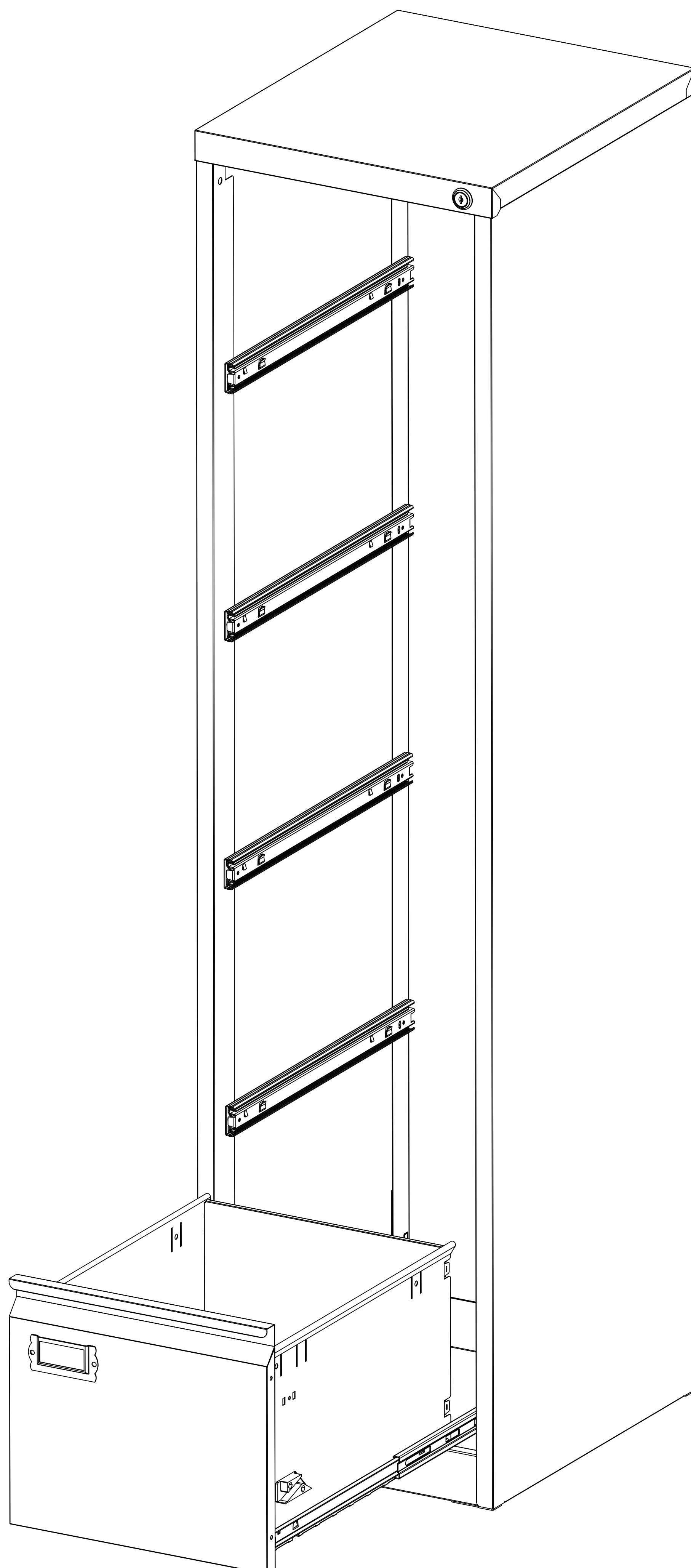
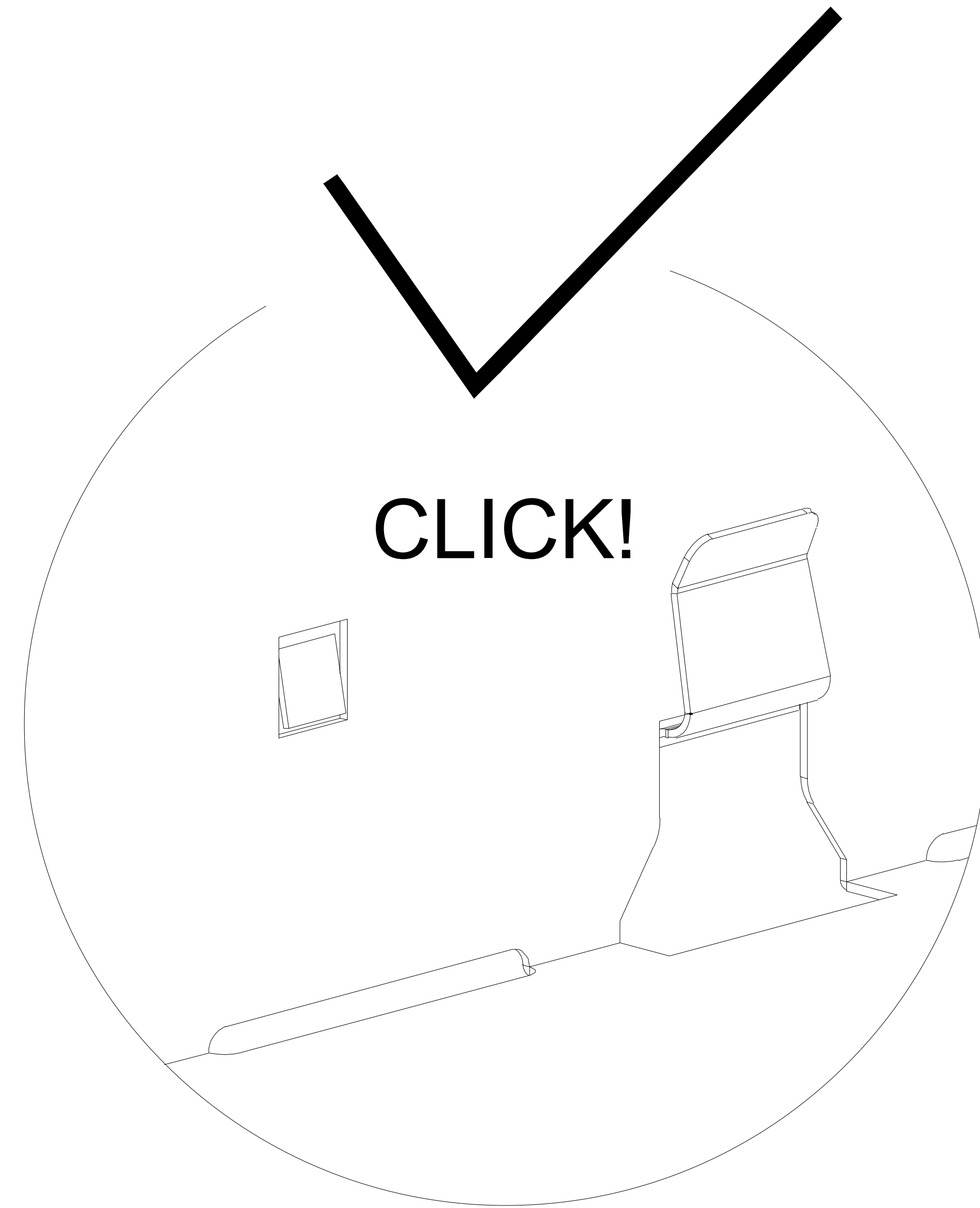
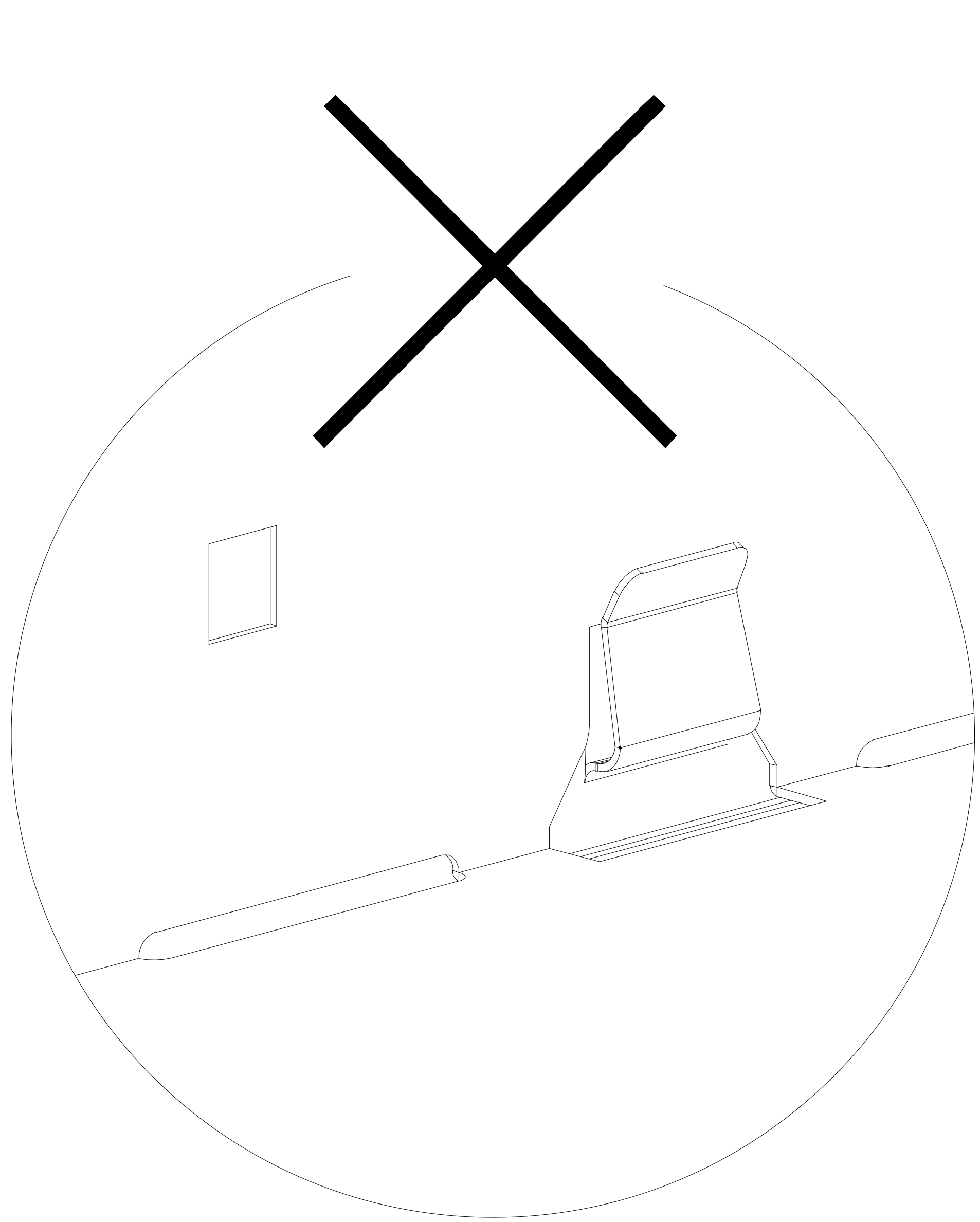
Pull out the two sliding rails at the arrow position of the cabinet completely.



Align the four holes in the side wall of the drawer with the four clips on the slide rails, then press the drawer down with force until the slide clips are fully snapped into place, or lift the slide rails upward while pressing down on the drawer to get the drawer in place, otherwise the drawer will not close.

step 12

Before closing the drawers, make sure you have pressed down with some force on all four corners of the drawer to lock with the slide rails. If you don't hear the locking noise, it's not locked in place and the drawer may not close completely. You can verify that the drawers are in place by checking the snaps in four positions inside the drawer.



step 13

Install the other four drawers in the same way.

Note: The pushing of the top drawer will squeeze the spare key.

