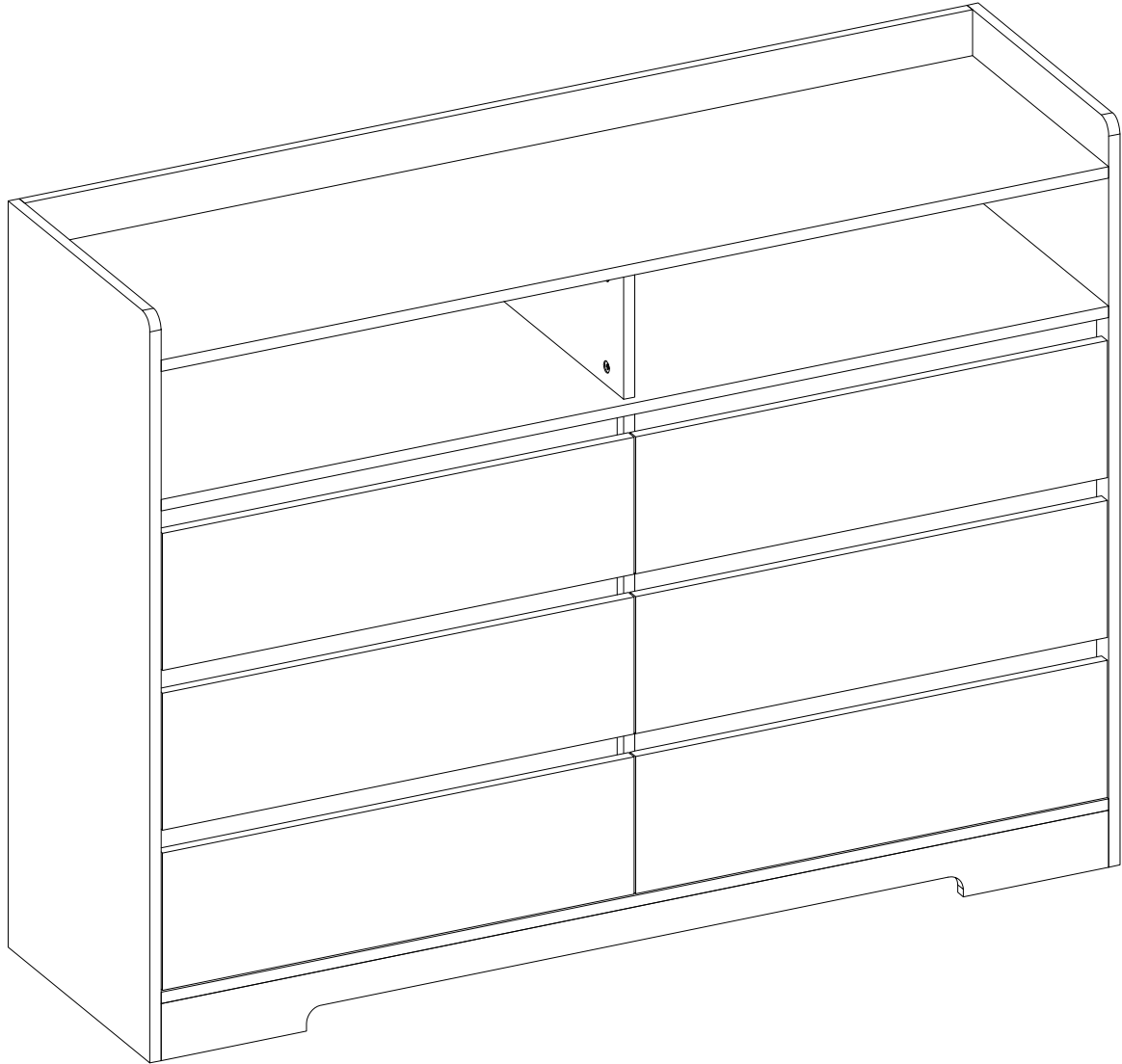
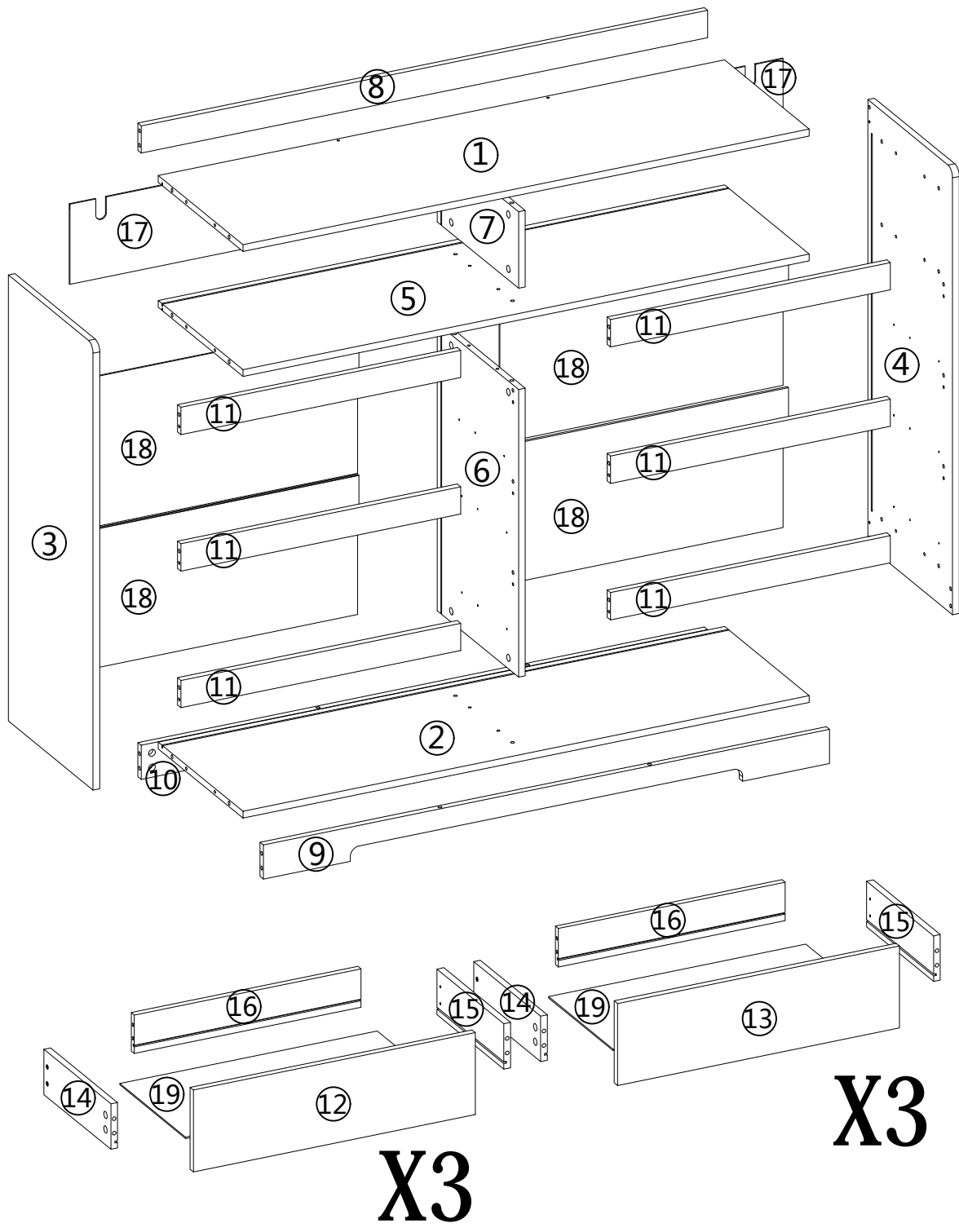


User's Manual

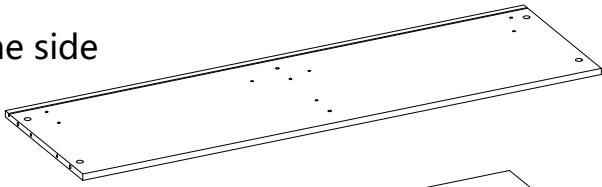




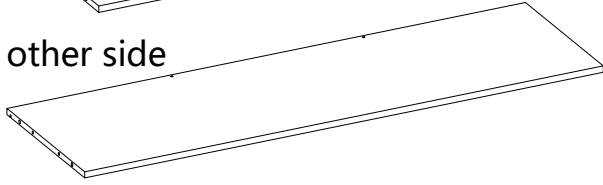
A A1 A2 74PCS	B $\phi 8 \times 30\text{mm}$ 22PCS	C $\phi 8 \times 50\text{mm}$ 5PCS	D $M3.5 \times 14\text{mm}$ 94PCS	E $M3.5 \times 35\text{mm}$ 24PCS	F $M3.5 \times 40\text{mm}$ 2PCS	G $M8 \times 40\text{mm}$ 2PCS
H CR CL DR DL $L=300\text{mm}$ 6PCS	I I1 I2 I3 I4 15×4 16×4 1PC	J 6PCS	K 20PCS	L $65 \times 32 \times 15\text{mm}$ 2PCS	M $L=627\text{mm}$ 2PCS	N $\phi 21\text{mm}$ 74PCS

1

one side



the other side

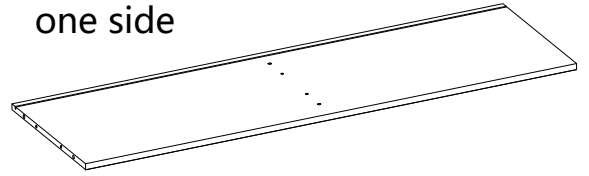


1270*379*15mm

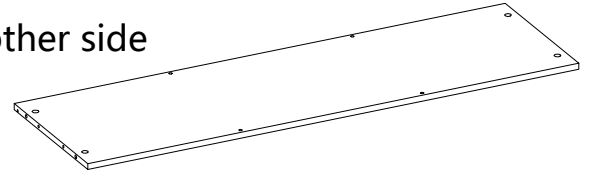
1 PC

2

one side



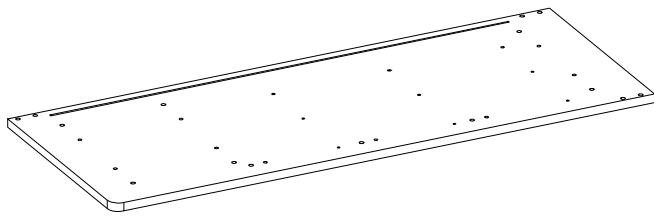
the other side



1270*379*15mm

1 PC

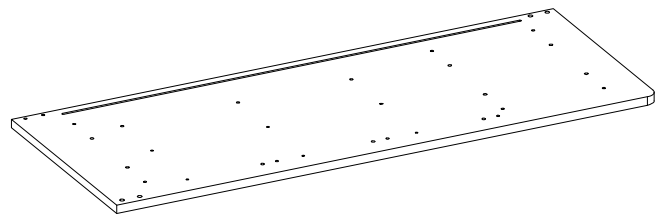
3



980*380*15mm

1 PC

4

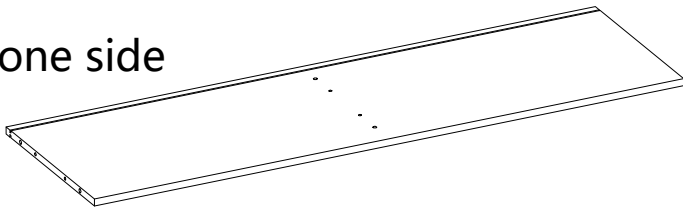


980*380*15mm

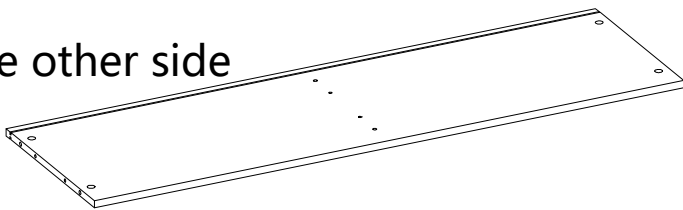
1 PC

5

one side



the other side

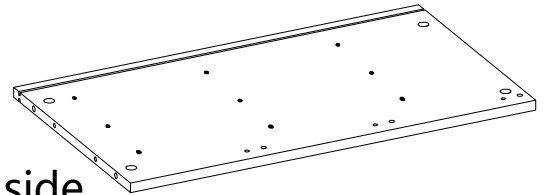


1270*379*15mm

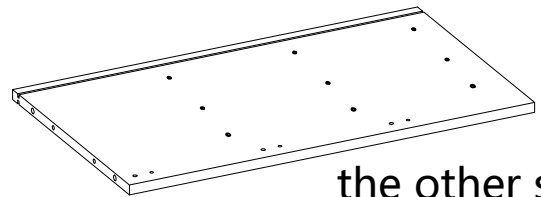
1 PC

6

one side



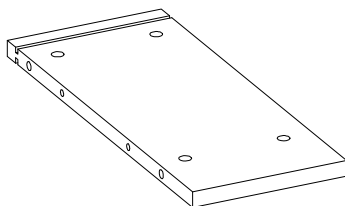
the other side



632*364*15mm

1 PC

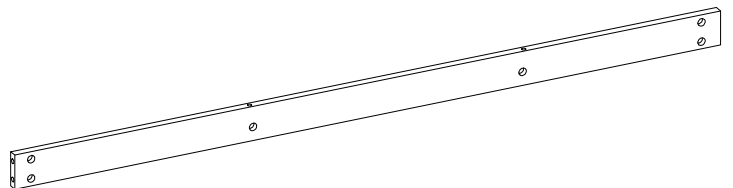
7



167*364*15mm

1 PC

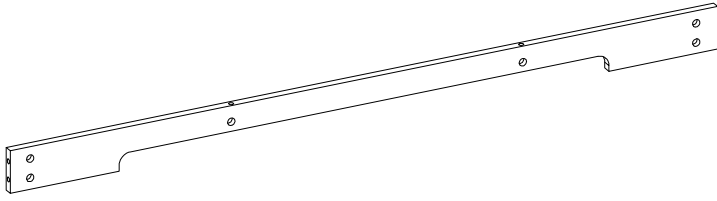
8



1270*60*15mm

1 PC

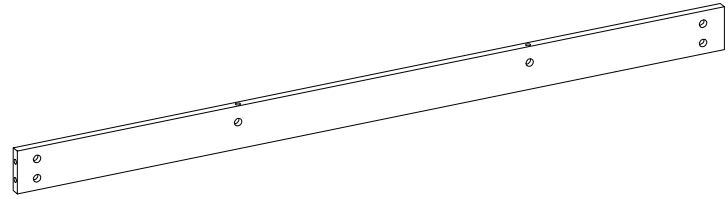
9



1270*75*15mm

1 PC

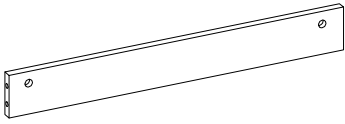
10



1270*75*15mm

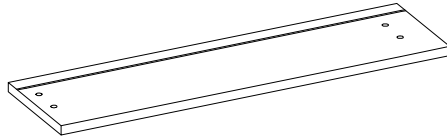
1 PC

11



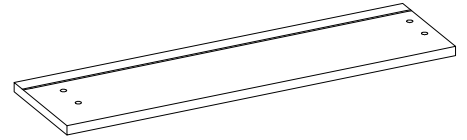
627.5*50*15mm 6 PCS

12



180*632*15mm 3 PCS

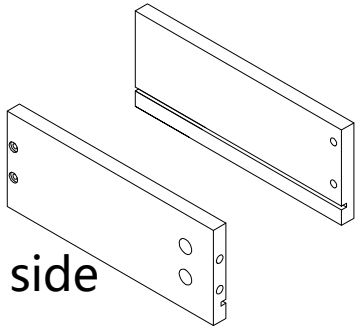
13



180*632*15mm 3 PCS

14

the other side

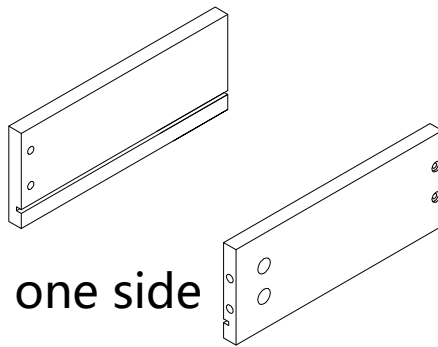


one side

300*100*15mm 6 PCS

15

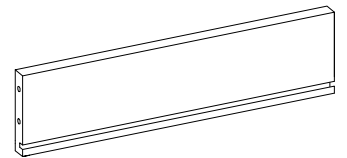
the other side



one side

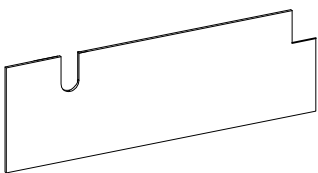
300*100*15mm 6 PCS

16



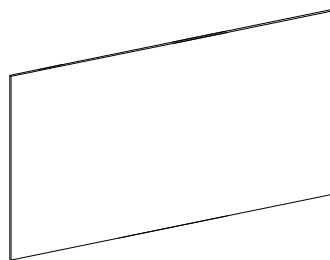
572.5*100*15mm 6 PCS

17



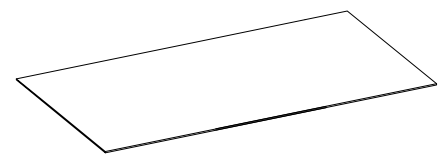
636.5*176*3mm 2 PCS

18



636.5*320.5*3mm 4PCS

19



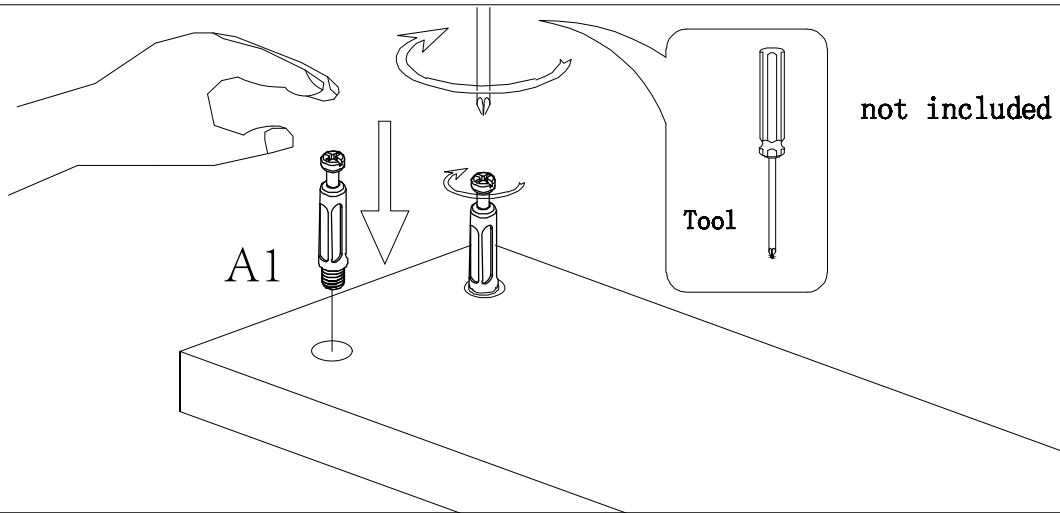
582.5*295*3mm 6 PCS

Hardware installation demonstration

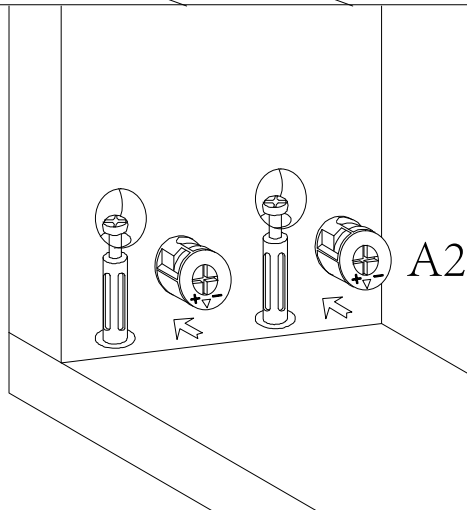


NOTE: Please make sure "A1" hardware tightened and can't be pulled out!

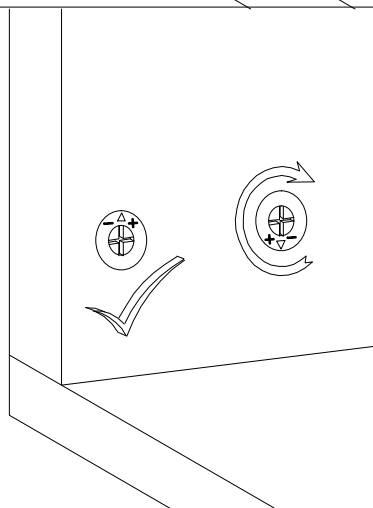
I



II

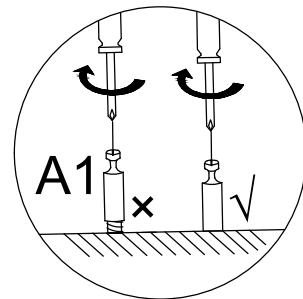
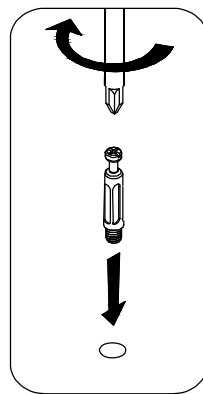


III

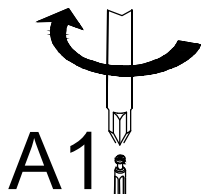


STEP 1

Tighten it , Same after

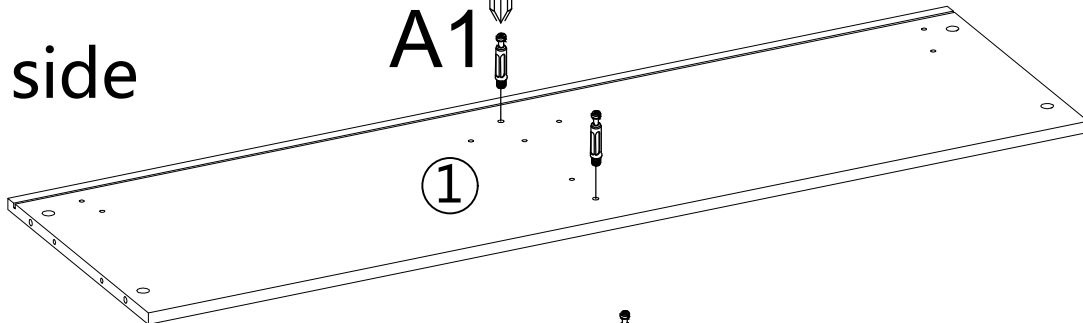


one side

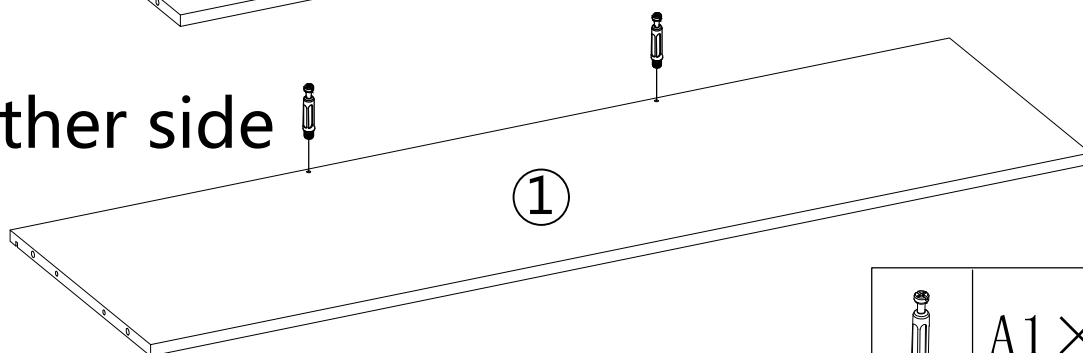


A1

①

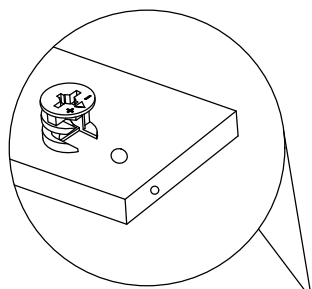
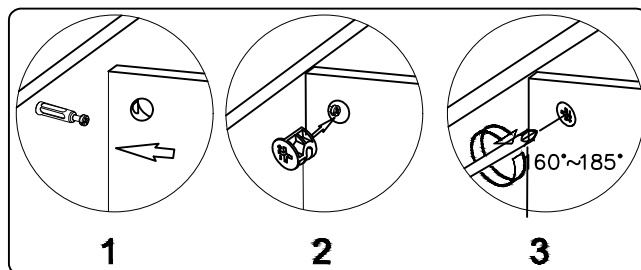


the other side



A1 × 4PCS

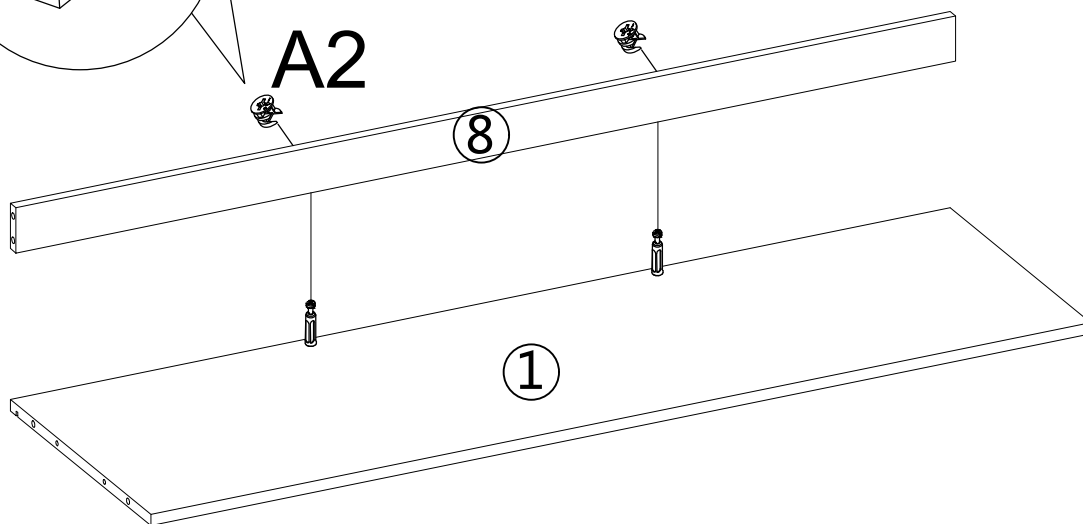
STEP 2



A2

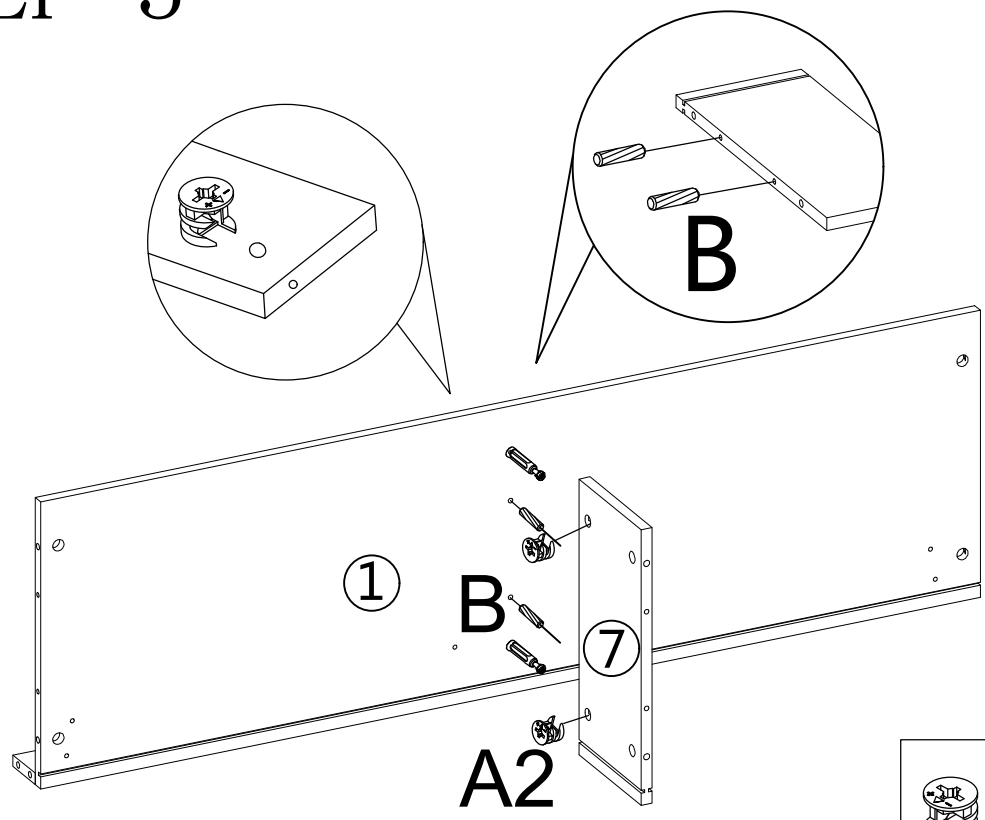
⑧



①



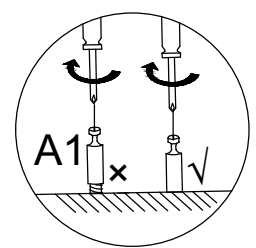
A2 × 2PCS

STEP 3

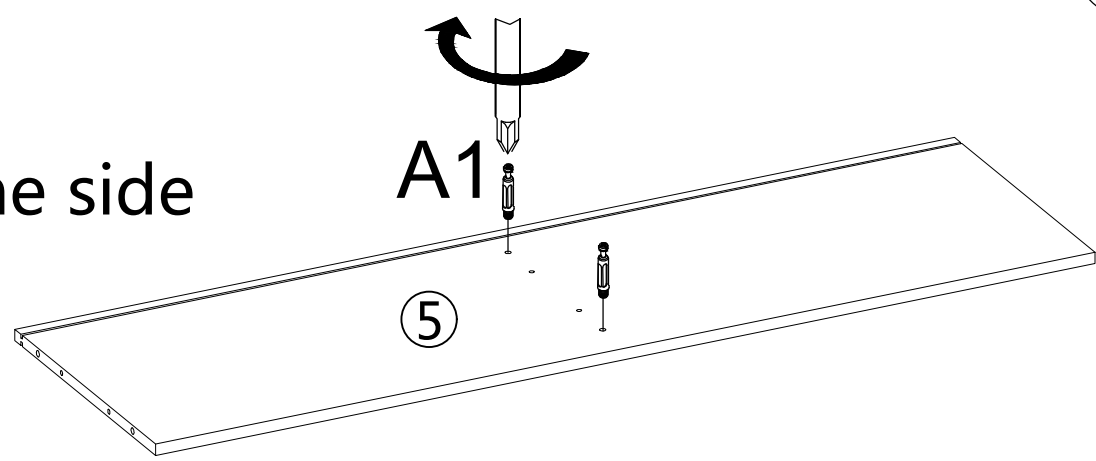


	A2 × 2PCS
	B × 2PCS

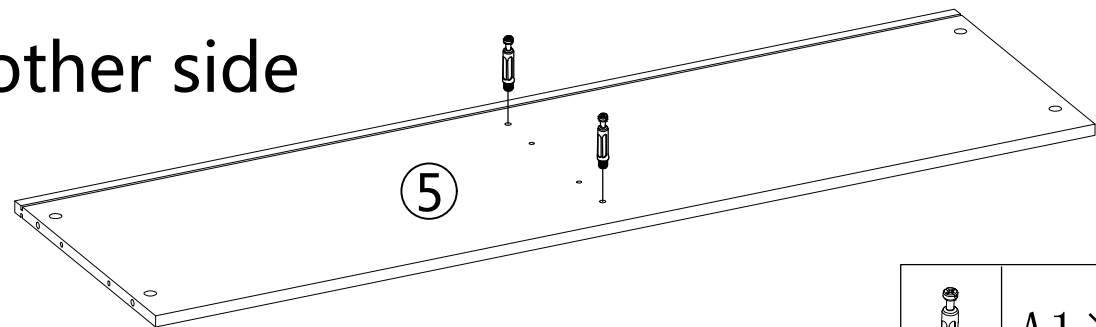
STEP 4




one side

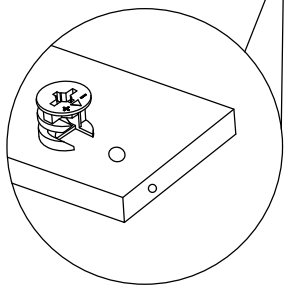
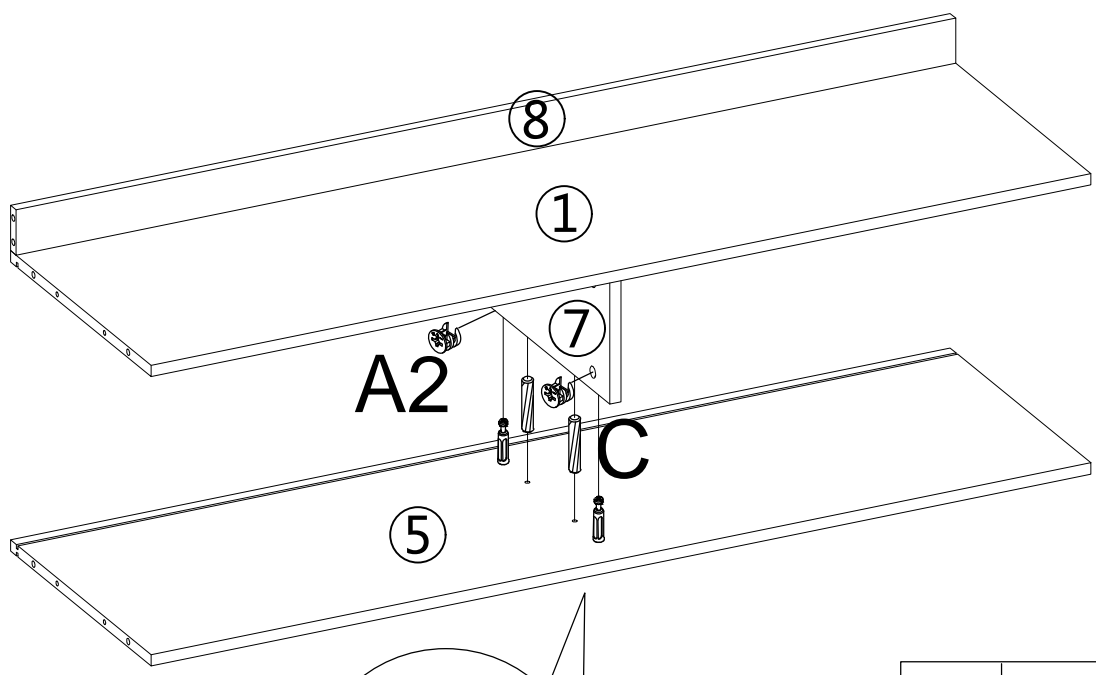




the other side



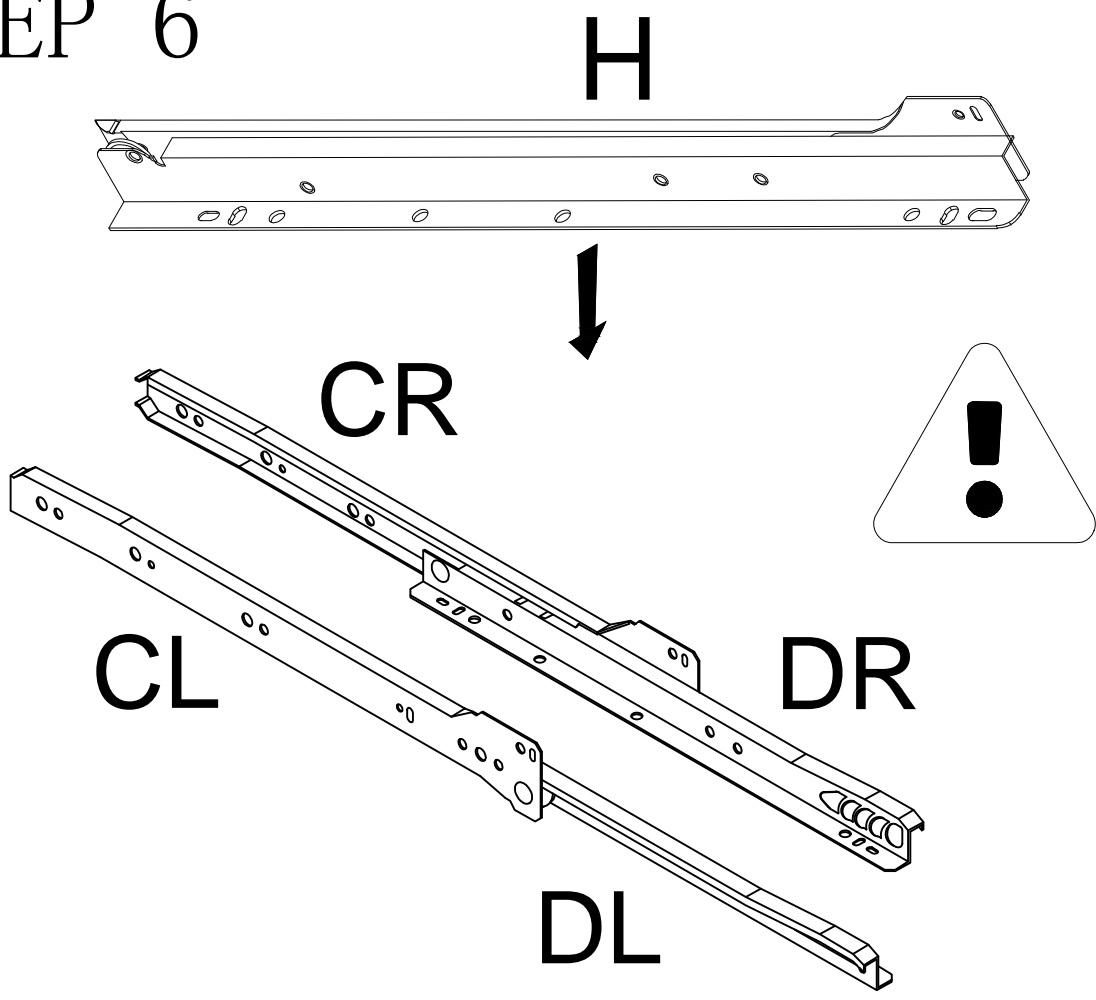
	A1 × 4PCS
---	-----------

STEP 5



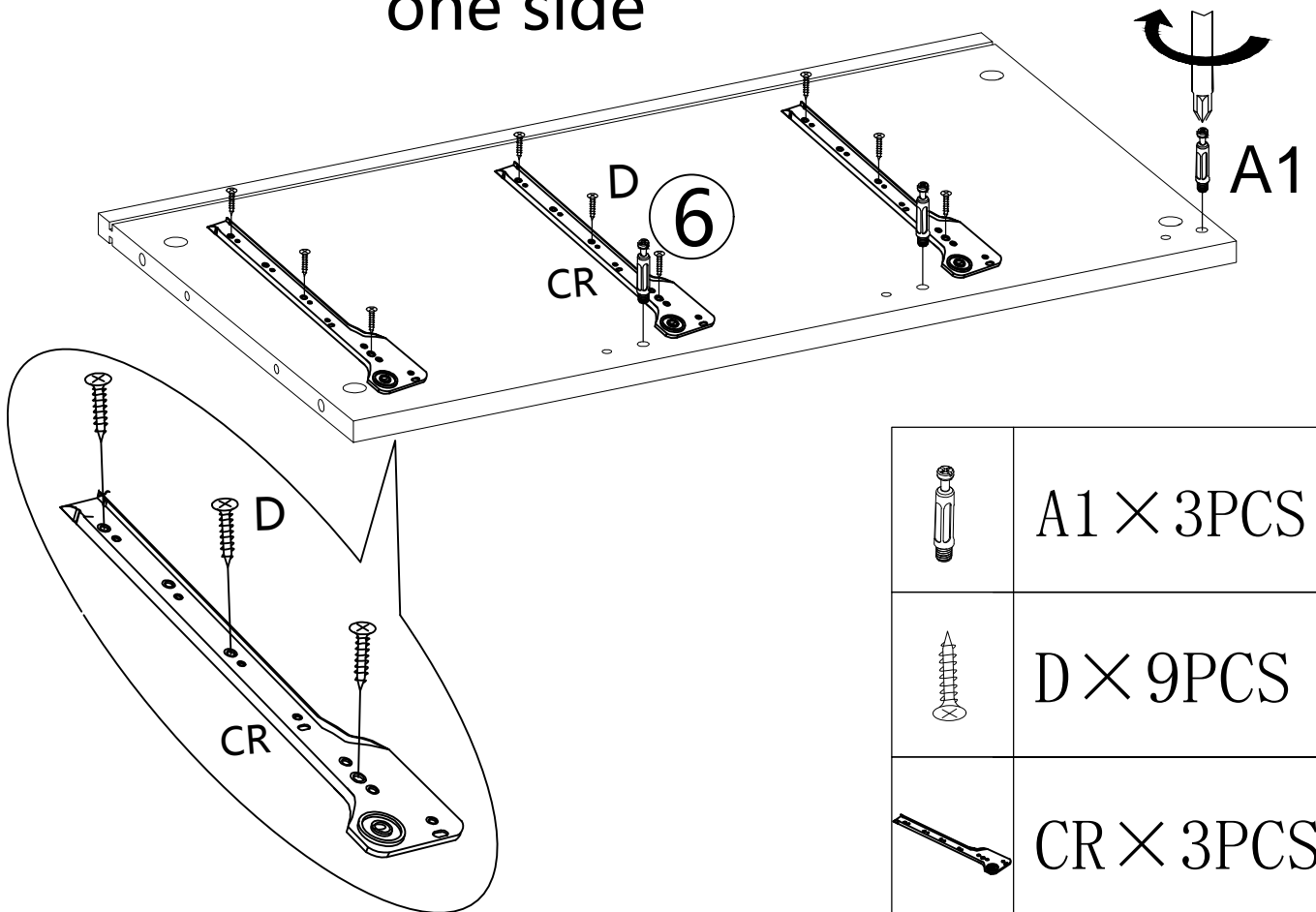
	A2 × 2PCS
	C × 2PCS




STEP 6



STEP 7

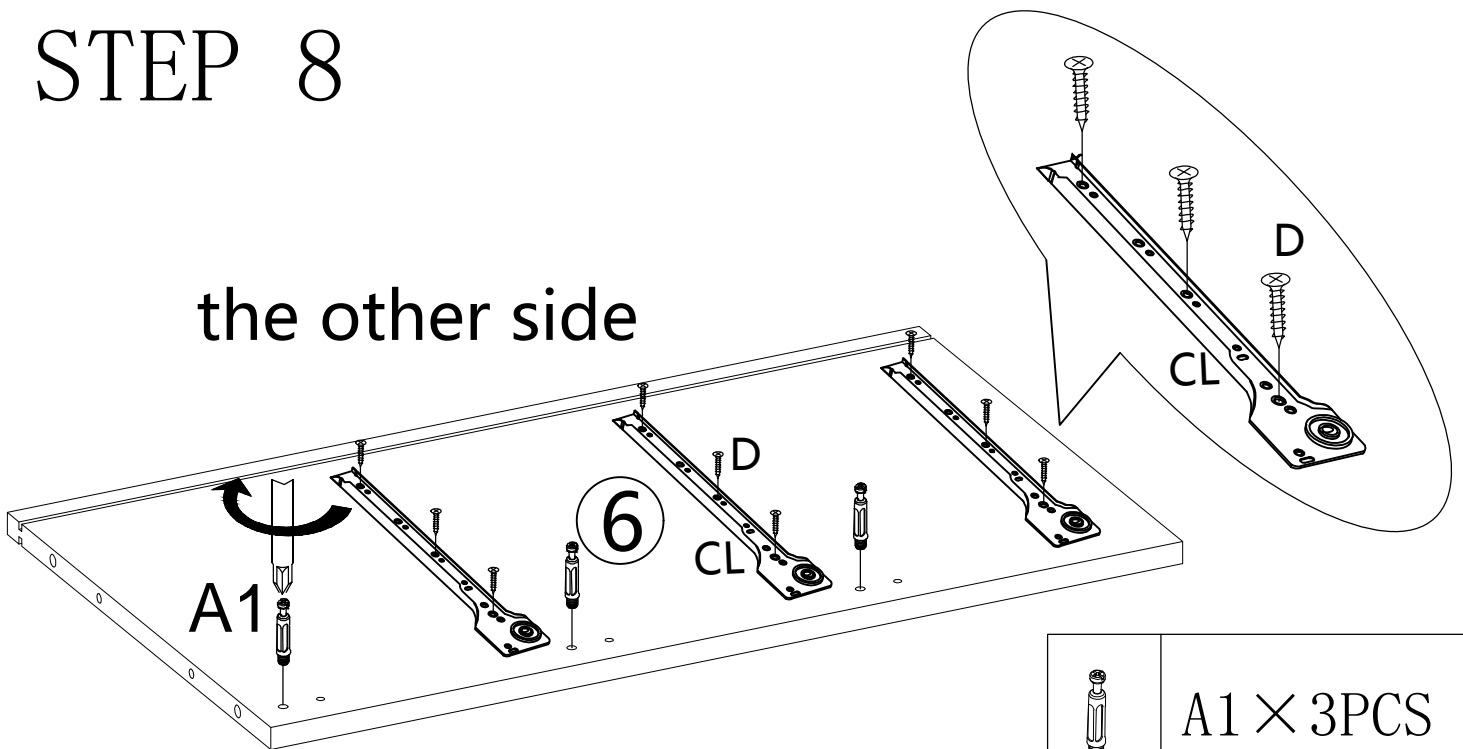
one side






	A1 × 3PCS
	D × 9PCS
	CR × 3PCS

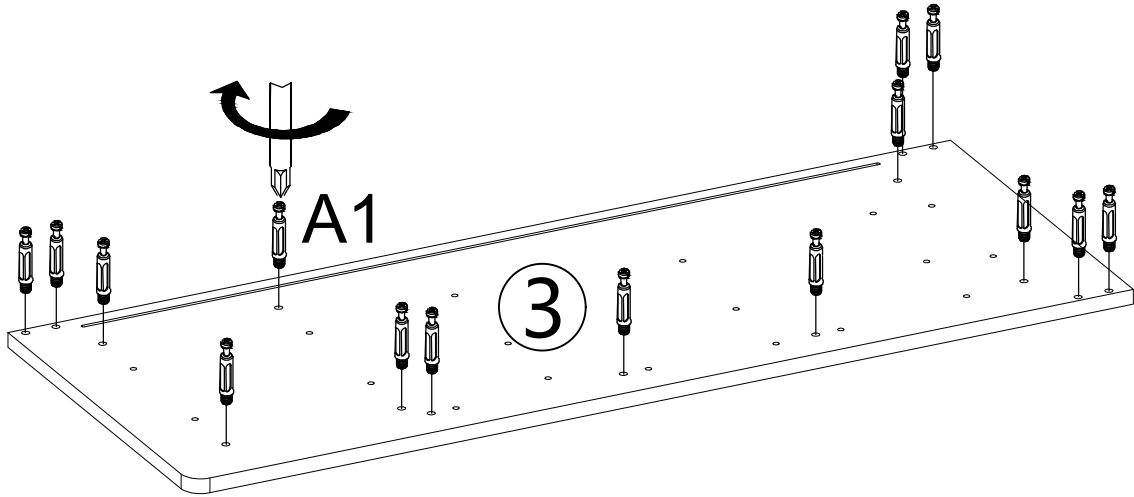
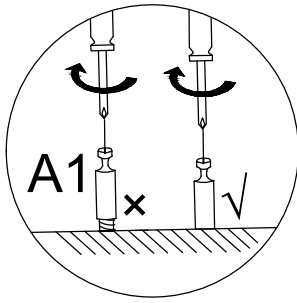
STEP 8


the other side



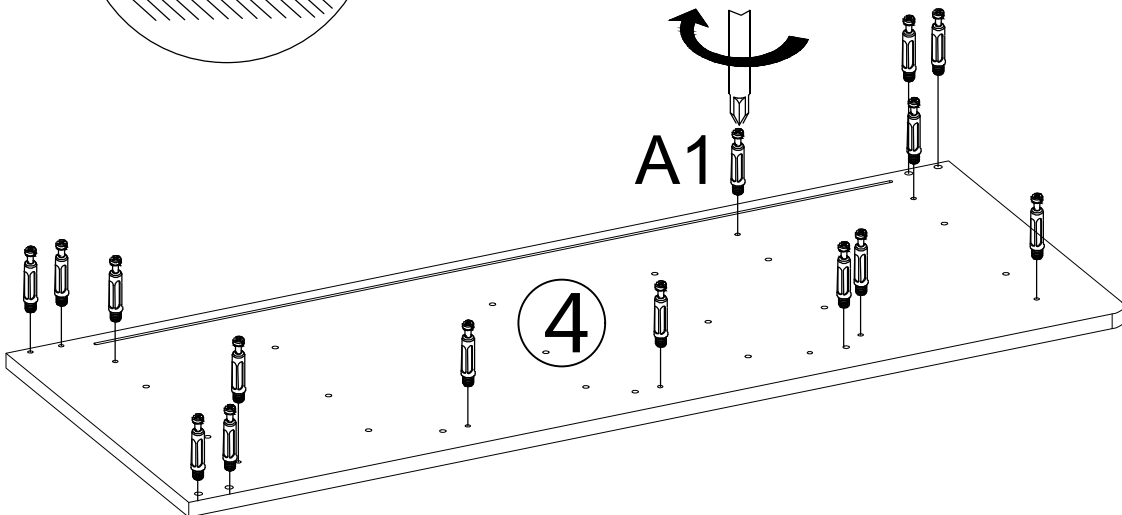
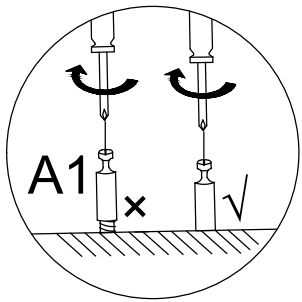
	A1 × 3PCS
	D × 9PCS
	CL × 3PCS


STEP 9



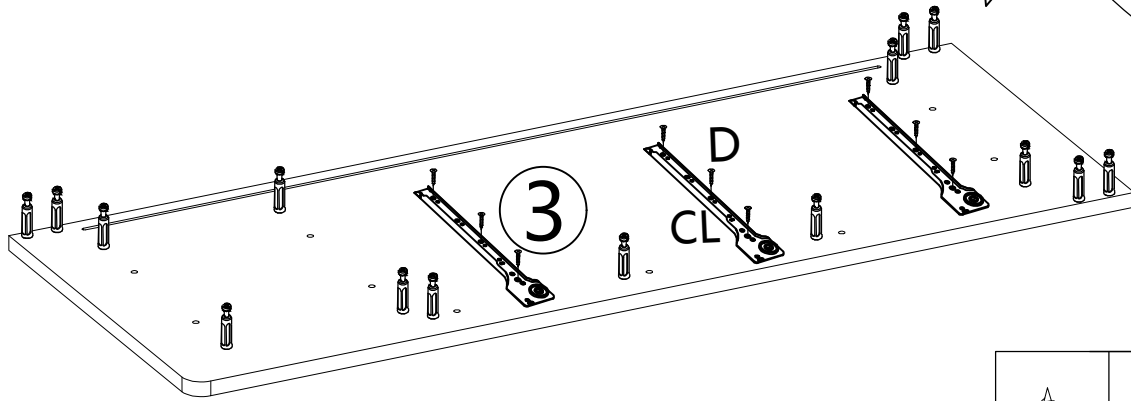
	A1 × 15PCS
---	------------



STEP 10



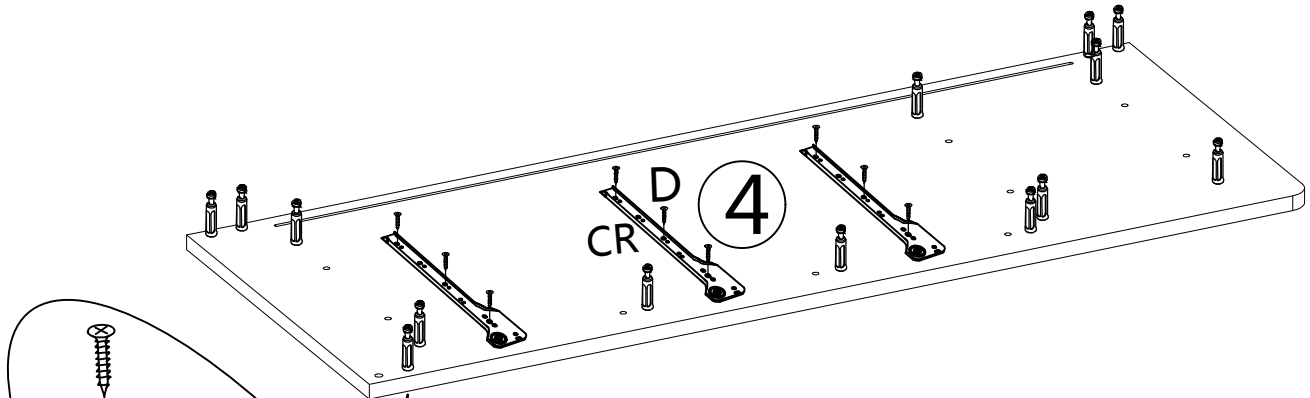
	A1 × 15PCS
---	------------



STEP 11



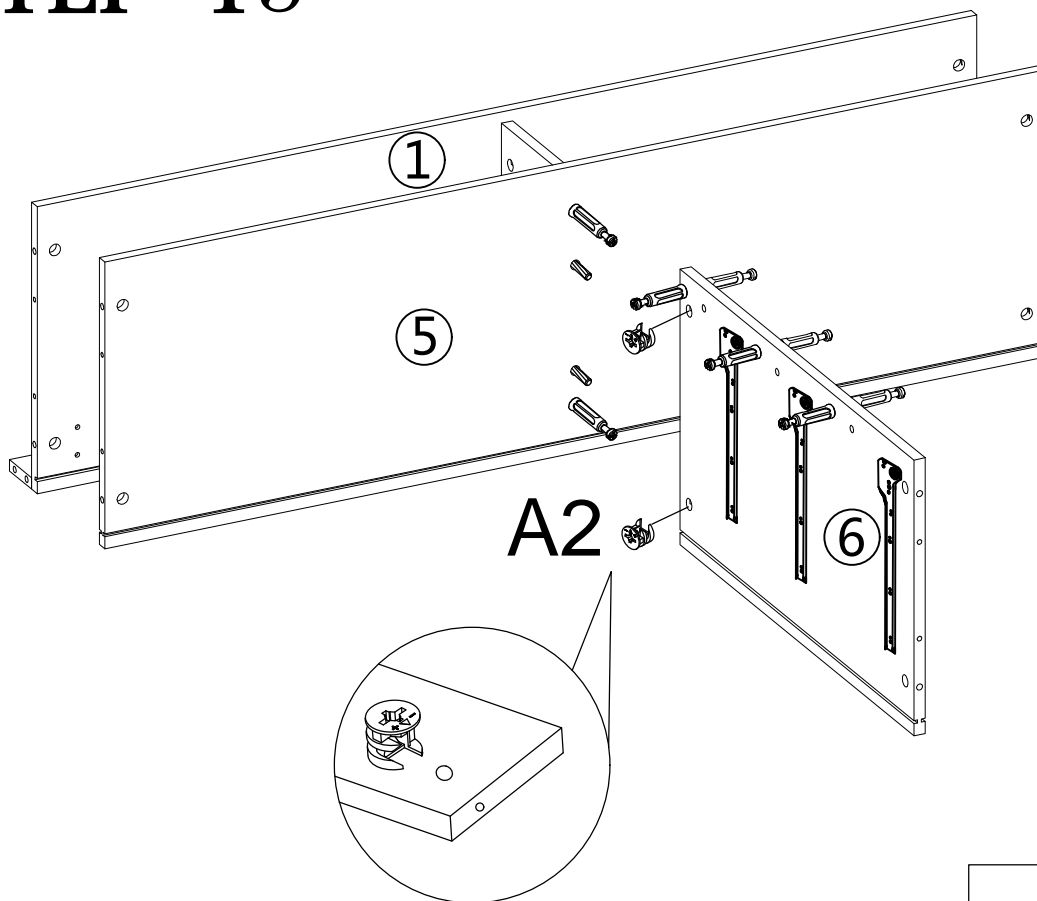
	D × 9PCS
	CL × 3PCS

STEP 12



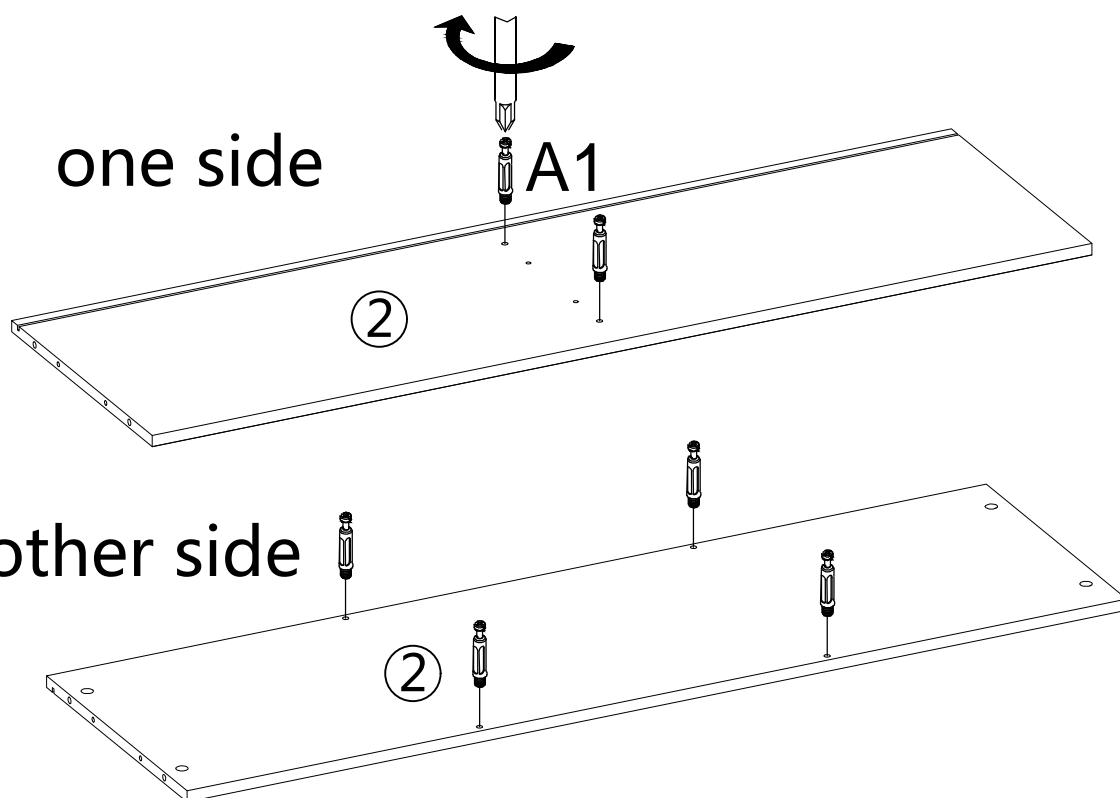
	D × 9PCS
	CR × 3PCS

STEP 13



A2 × 2PCS

STEP 14



one side

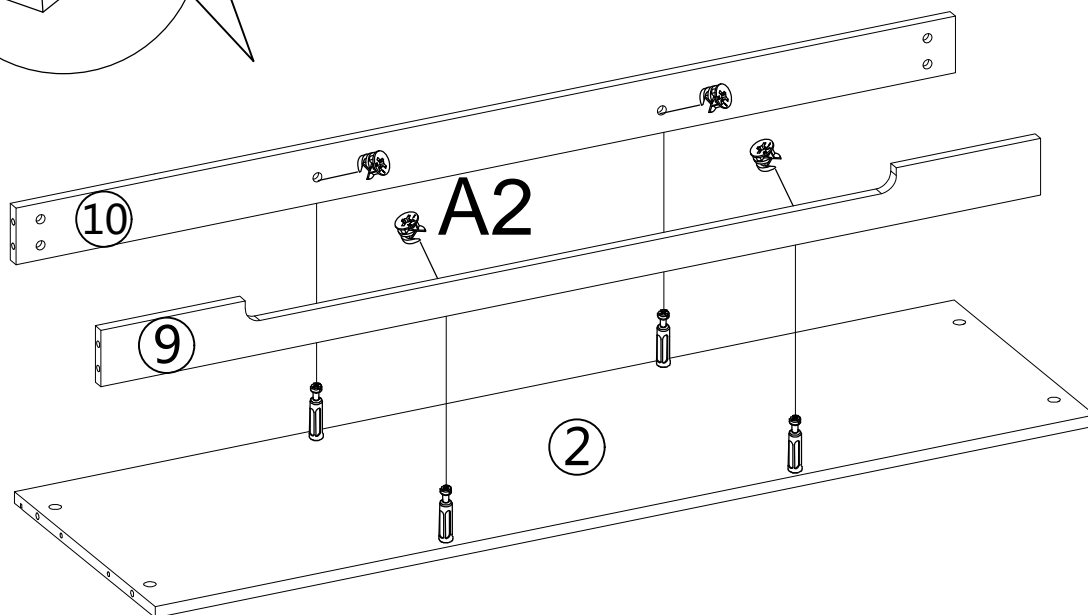
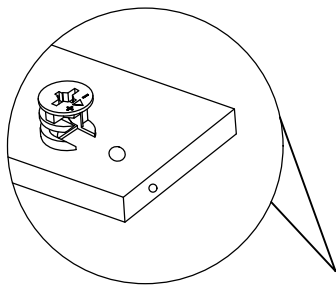
A1

the other side



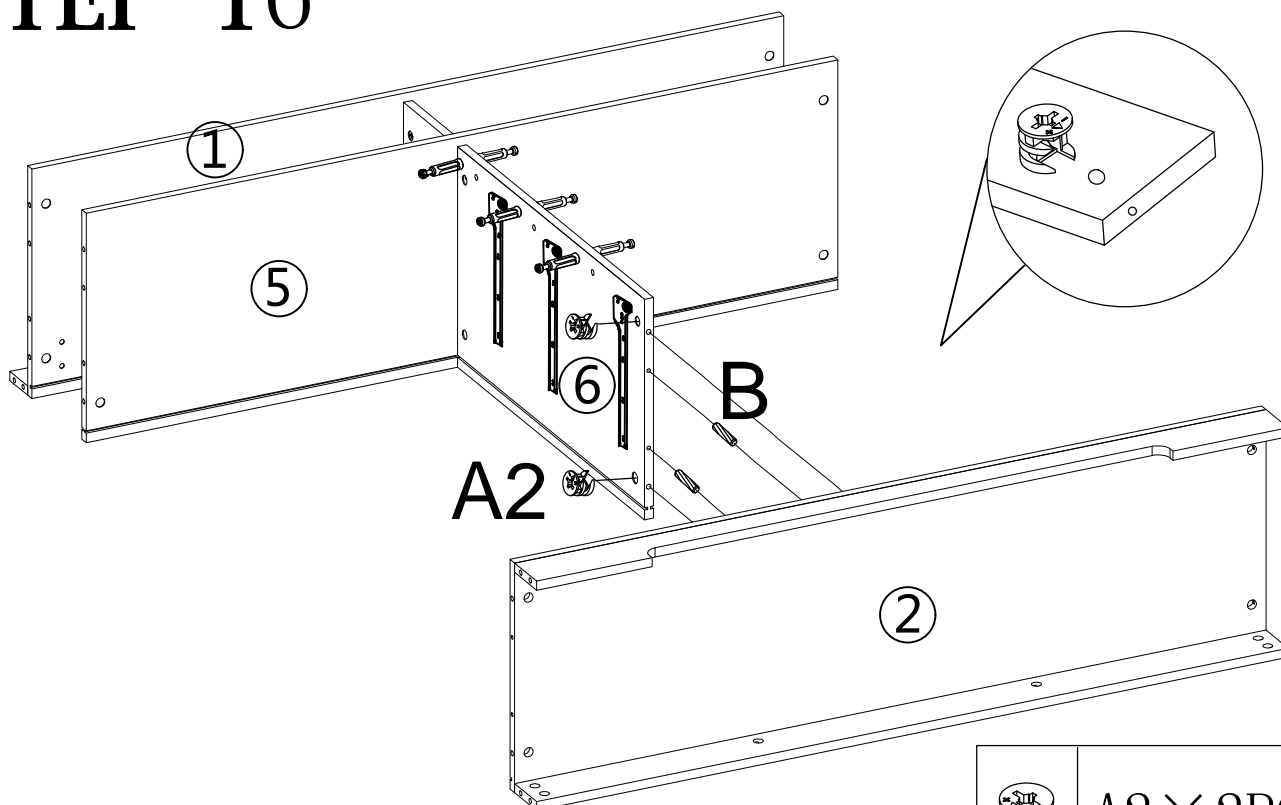
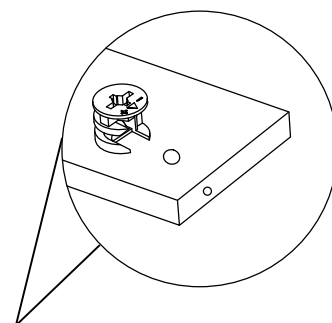
A1 × 6PCS

STEP 15



A2 × 4PCS

STEP 16

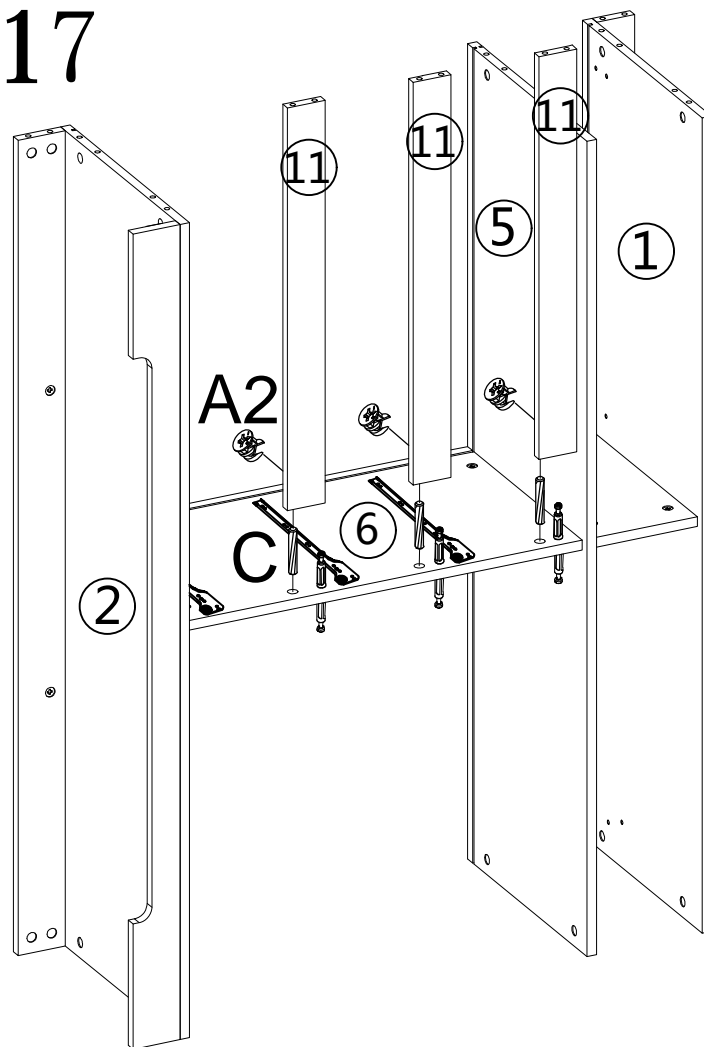




A2 × 2PCS



B × 2PCS

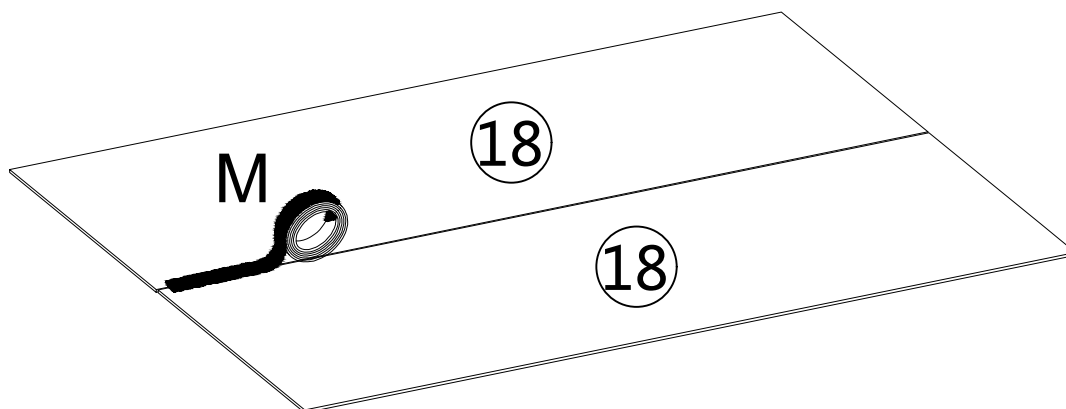
STEP 17




	A2 × 3PCS
	C × 3PCS

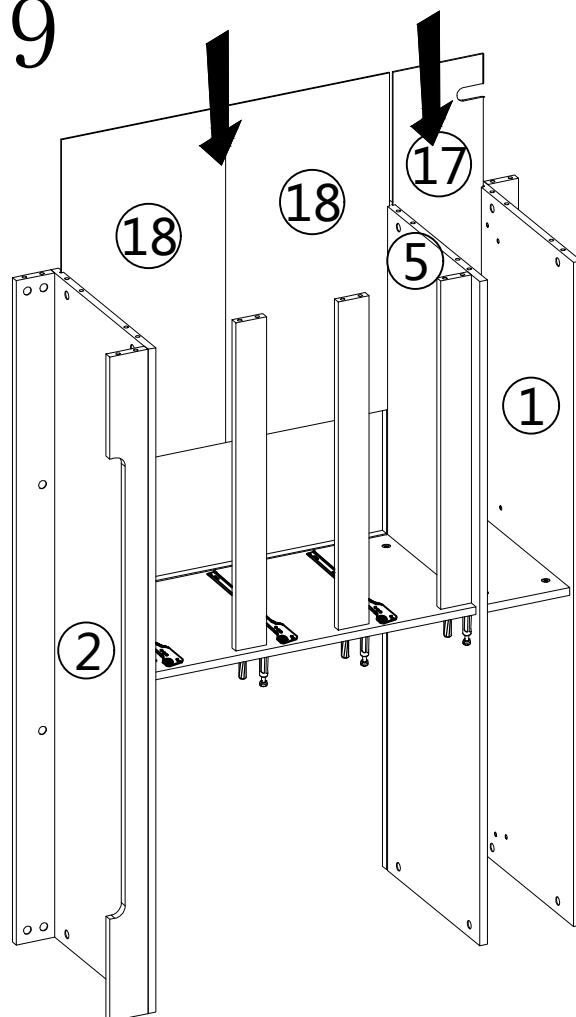
STEP 18

X2

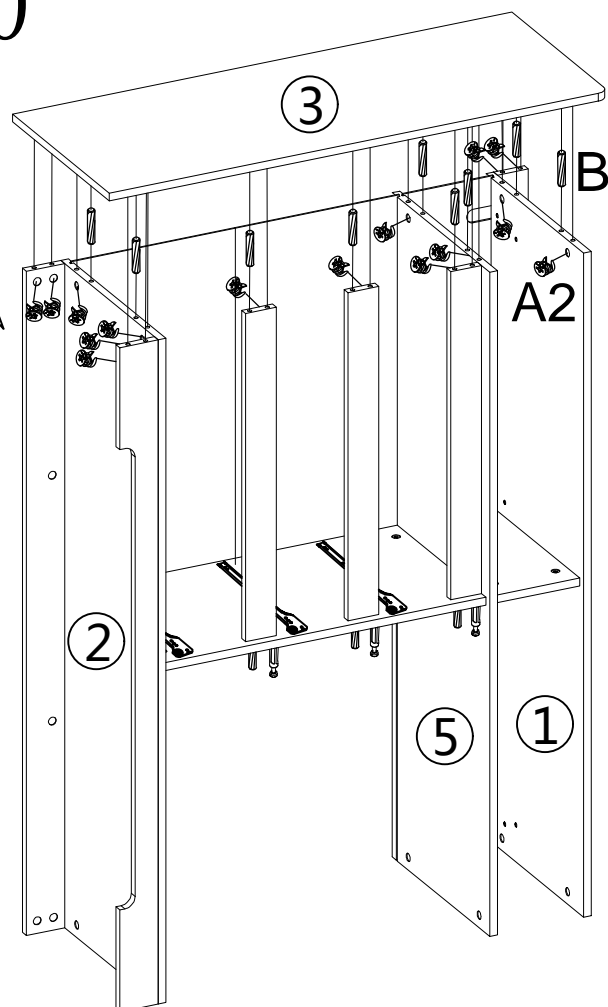
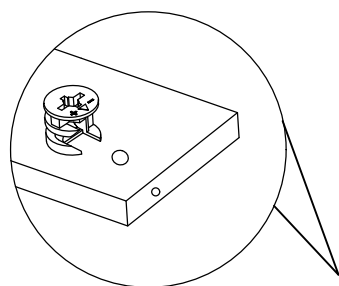




	M × 1PC
---	---------

STEP 19

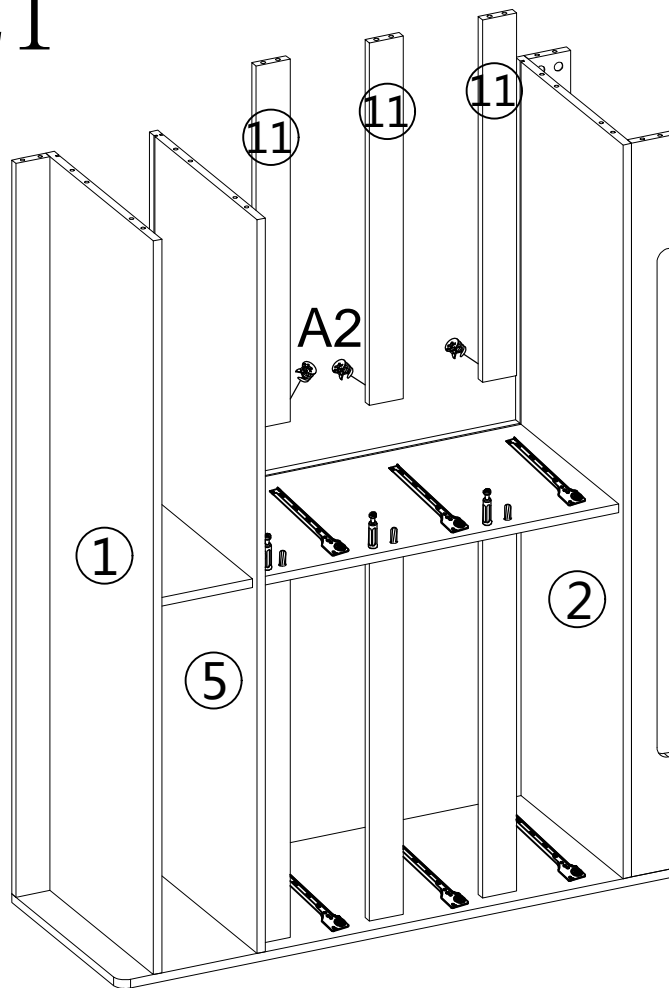


STEP 20



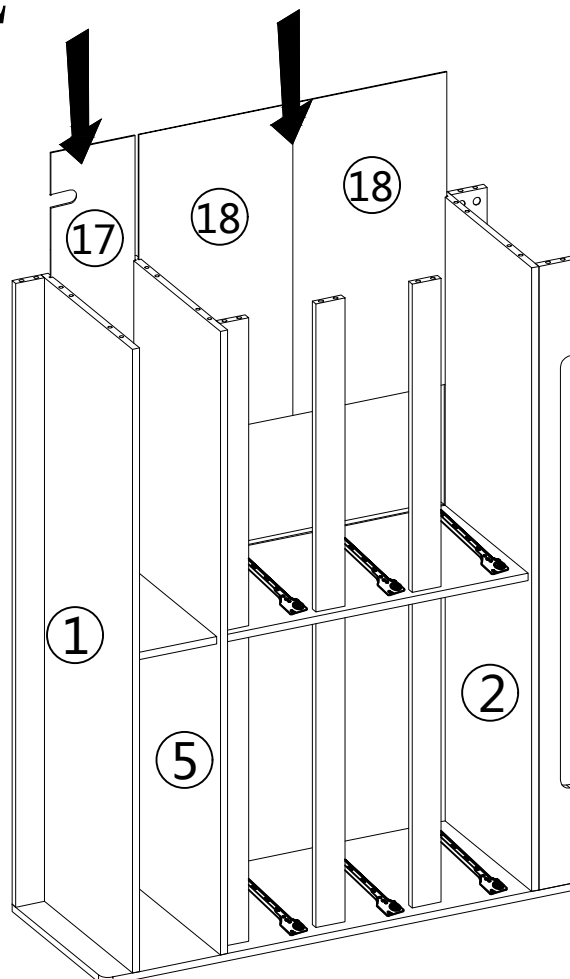
	A2 × 15PCS
	B × 9PCS

STEP 21

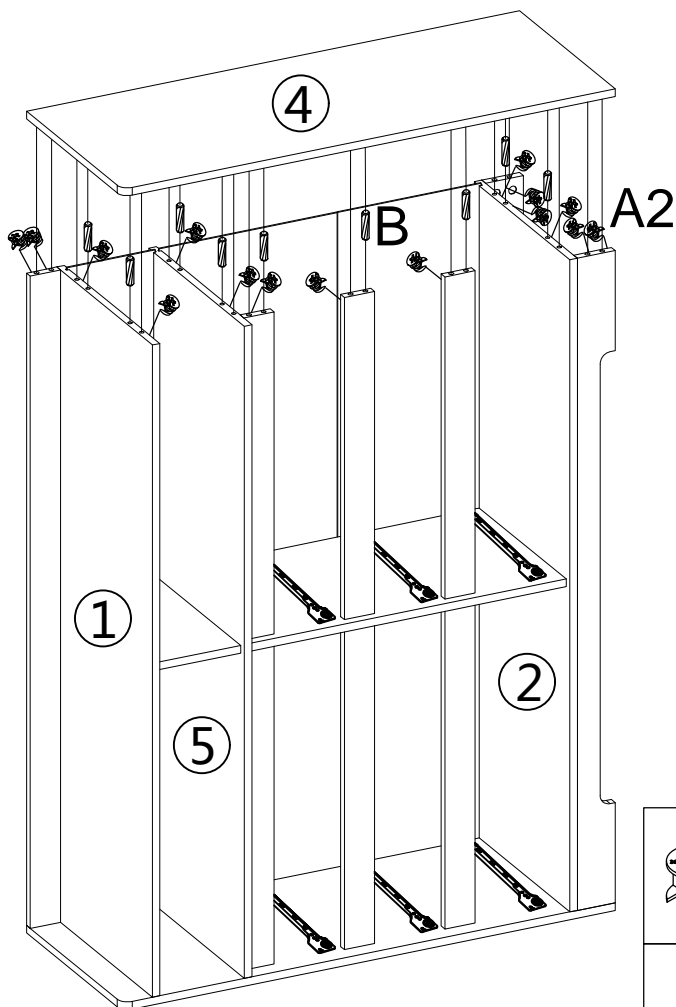
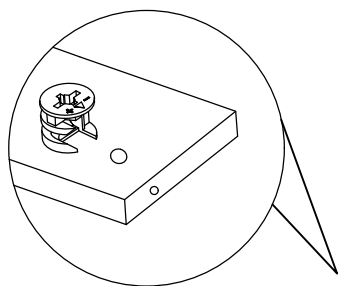




A2 × 3PCS

STEP 22

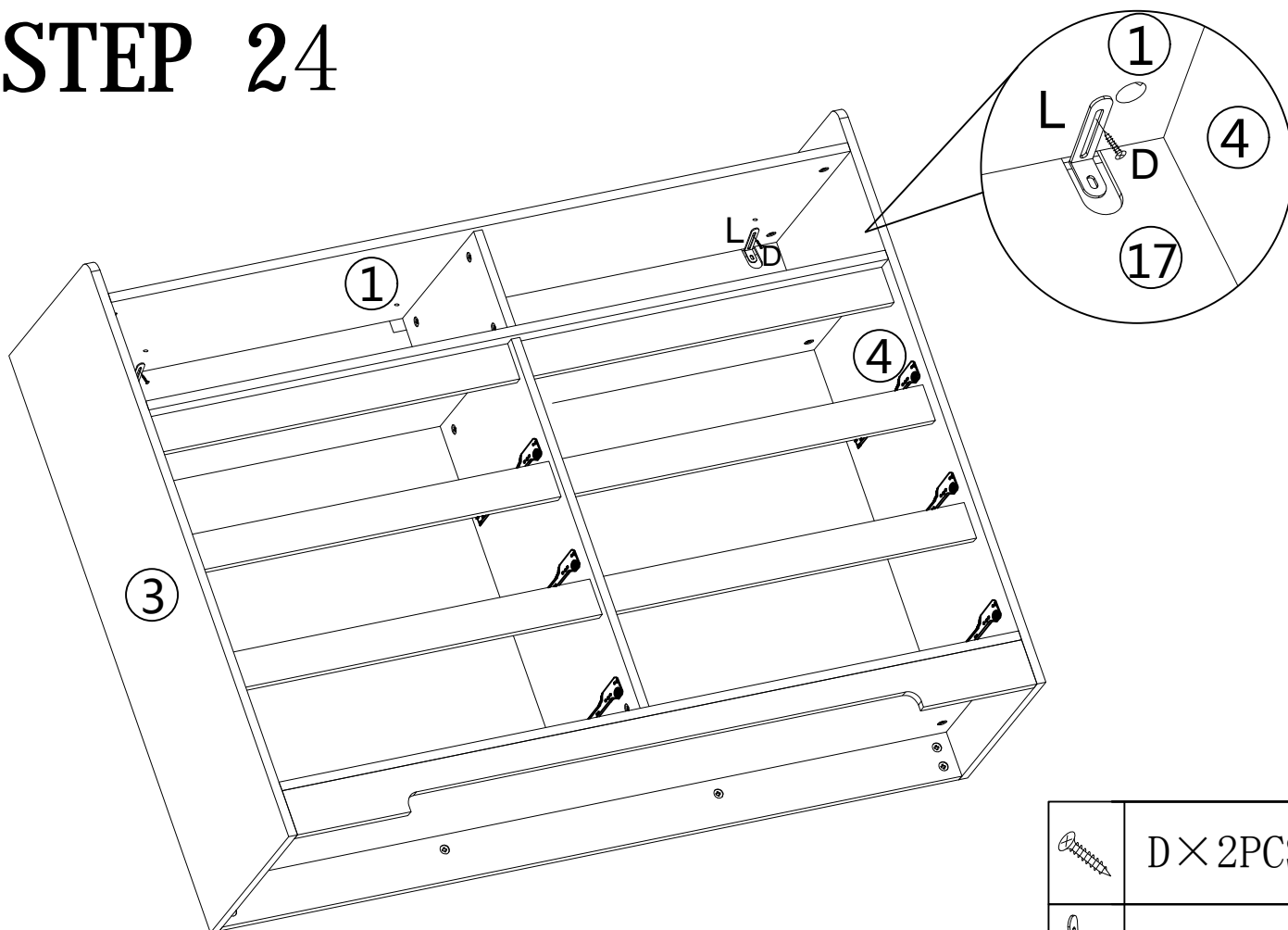




STEP 23



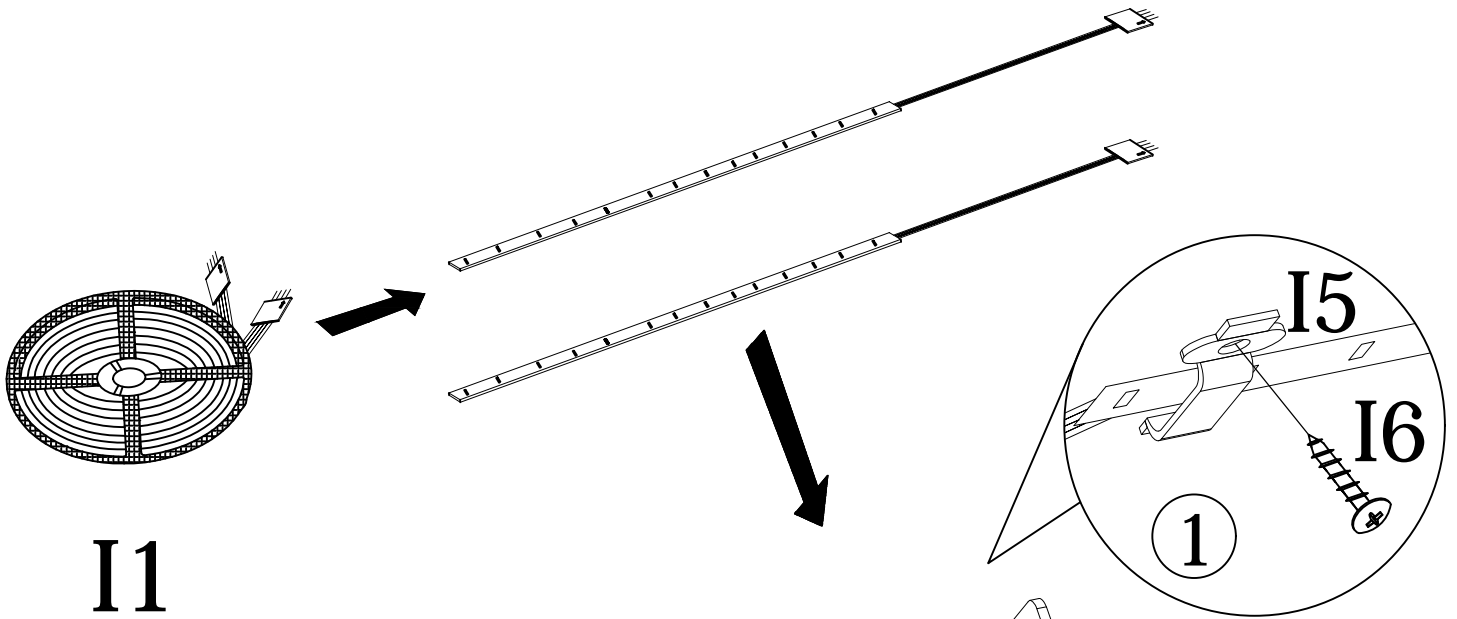
	A2 × 15PCS
	B × 9PCS

STEP 24

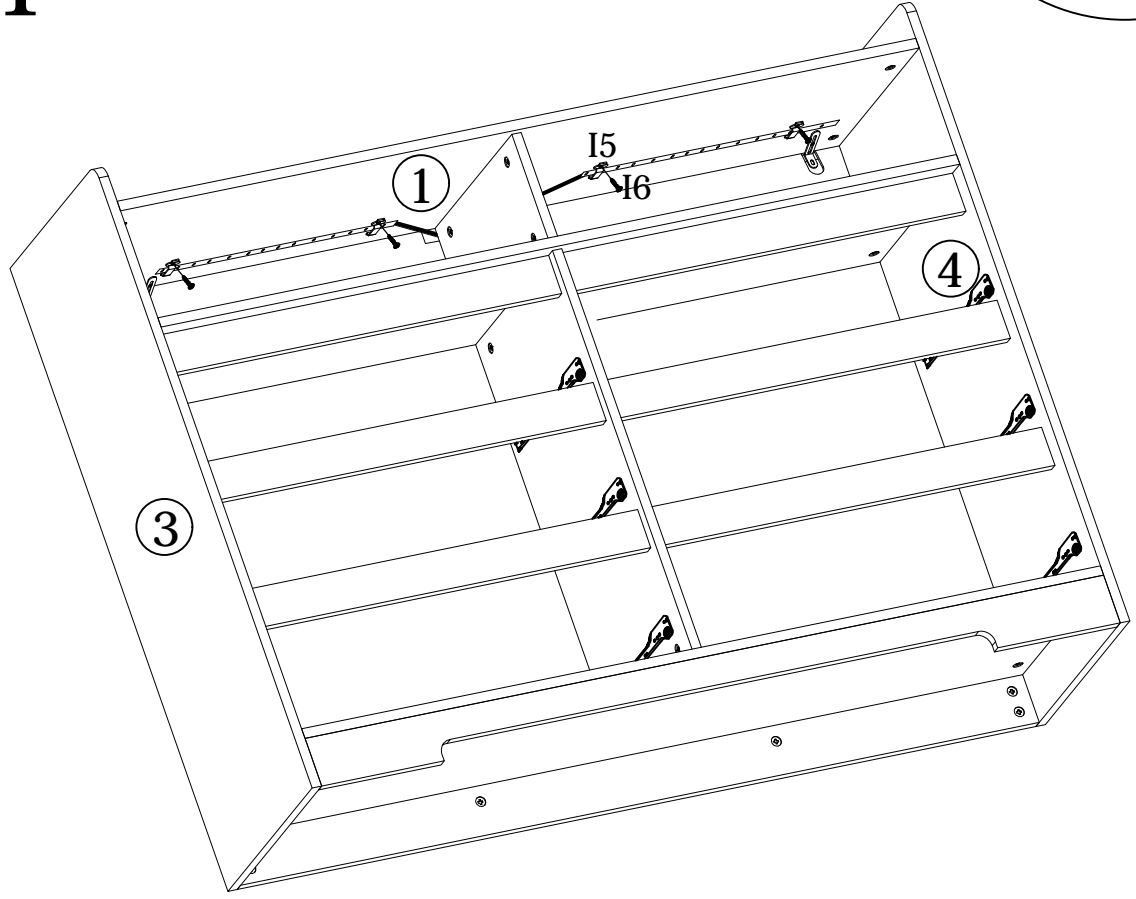


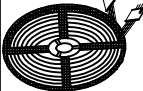
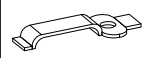

	D × 2PCS
	L × 2PCS

STEP 25

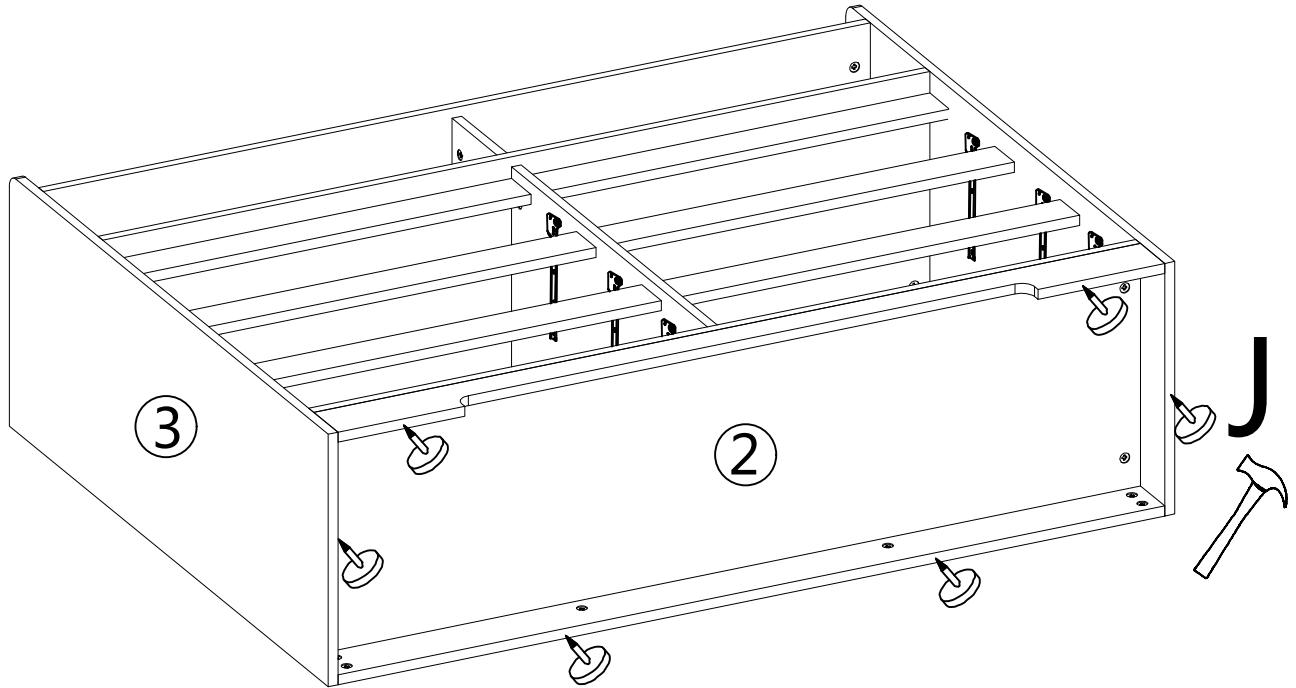



I1



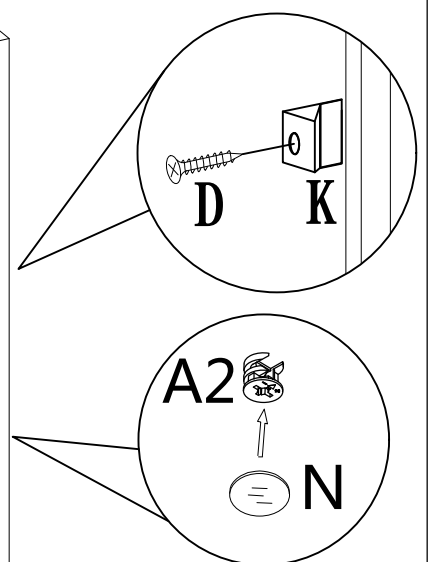
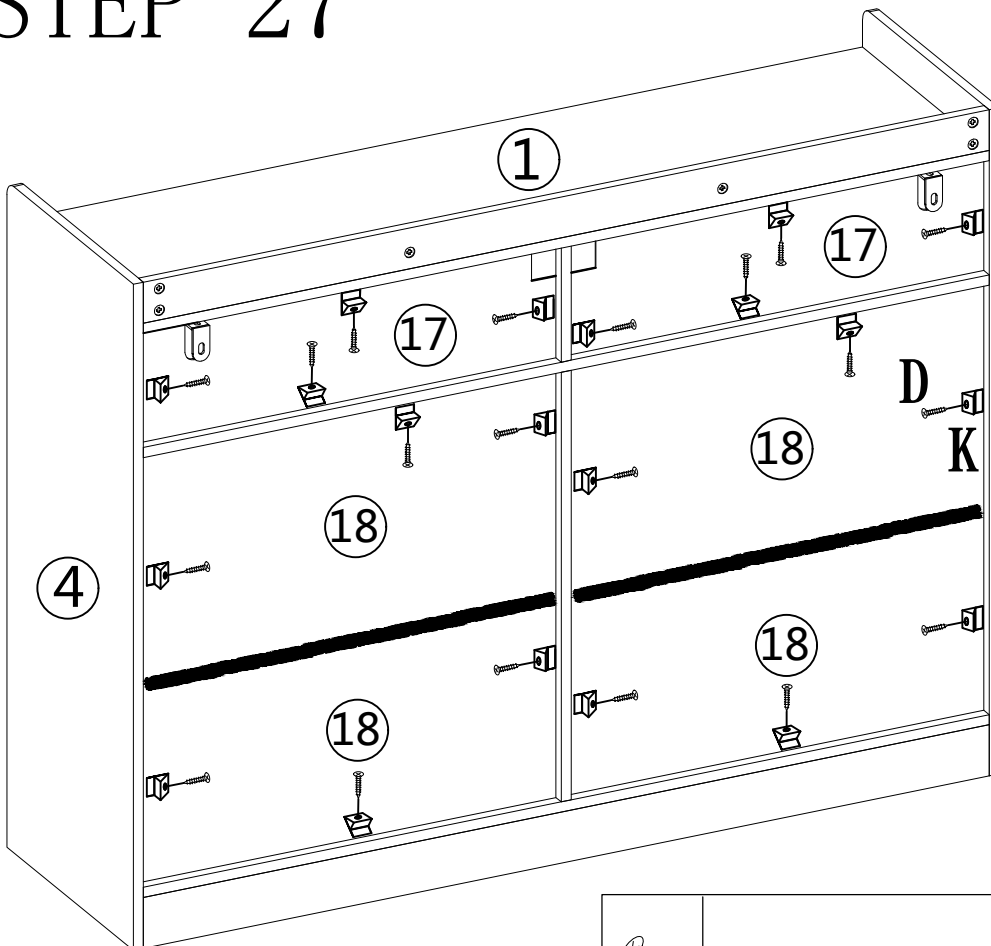
	I1 × 1PC
	I5 × 4PCS
	I6 × 4PCS




STEP 26



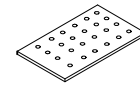
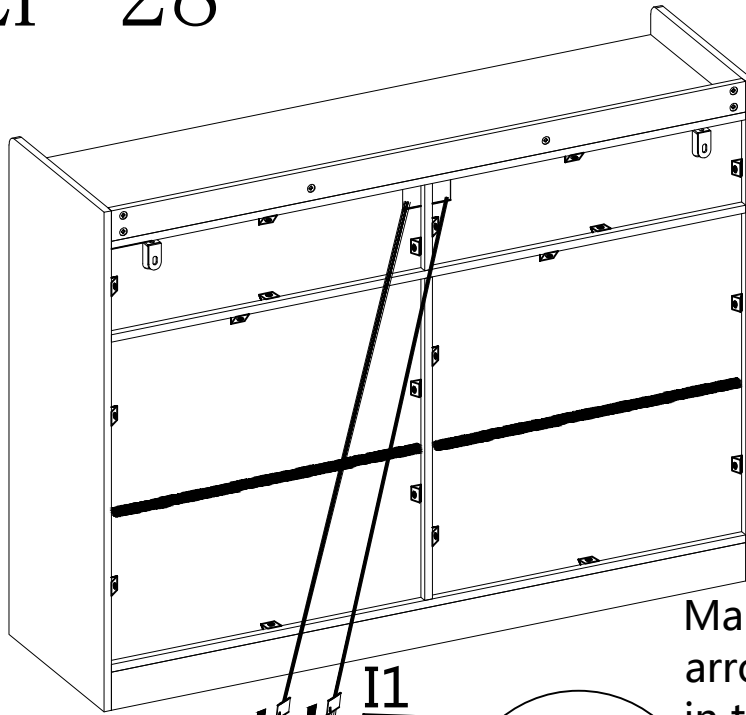
	J × 6PCS
--	----------

STEP 27



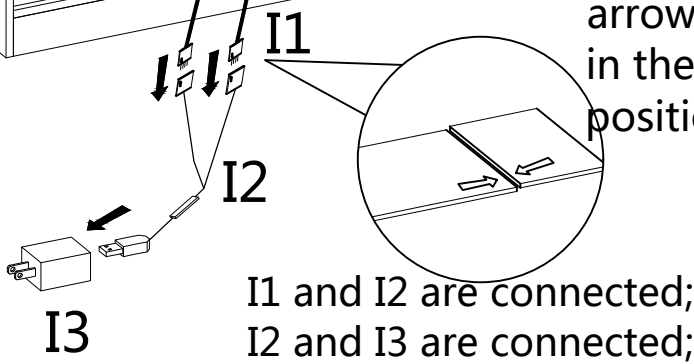
	N × 50PCS
	D × 20PCS
	K × 20PCS

STEP 28



I4

Last: lug the I3 into the power supply !
I4 can be adjusted !

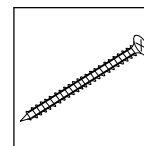
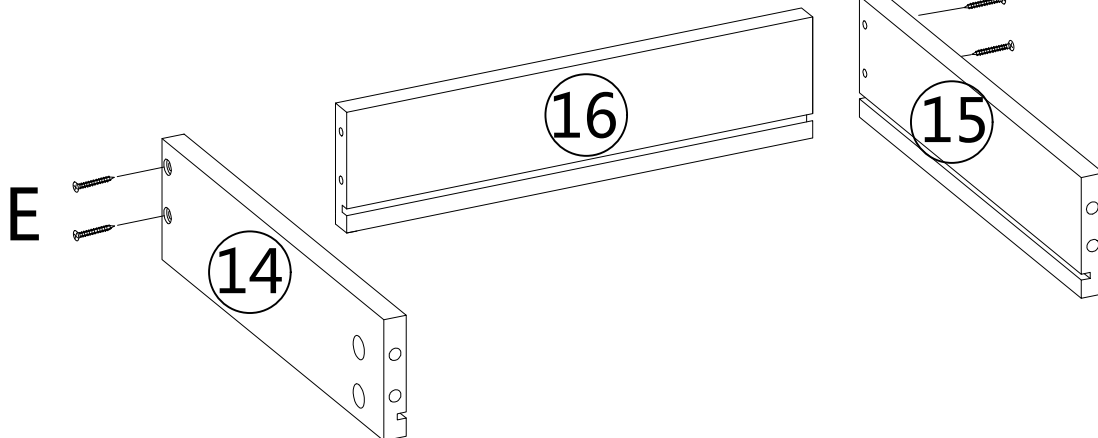


Make sure the arrows are in the same position !

	I2 × 1PC
	I3 × 1PC
	I4 × 1PC

STEP 29

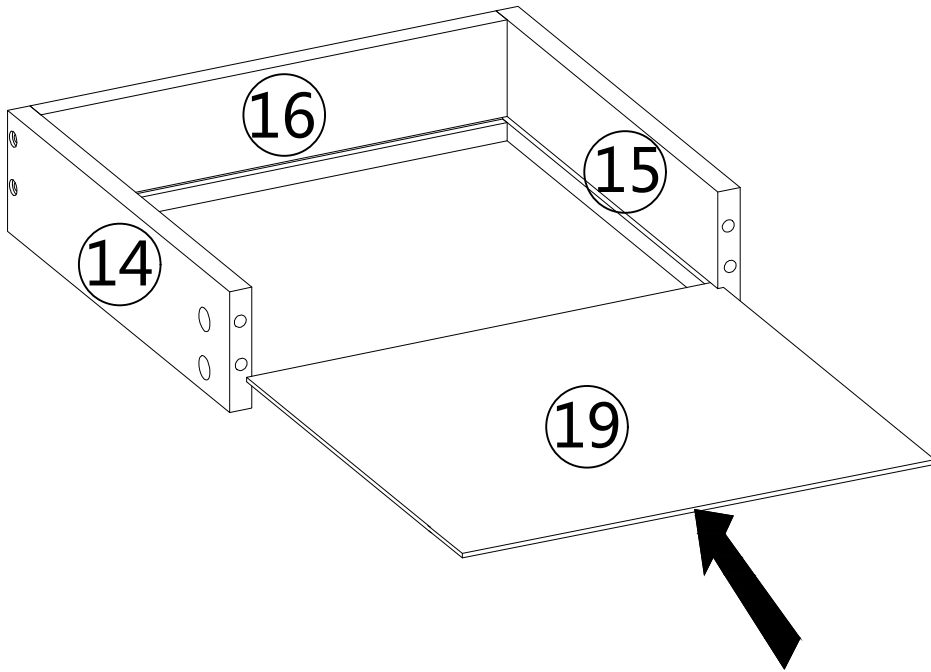
X6



E × 4PCS

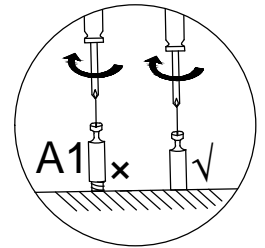
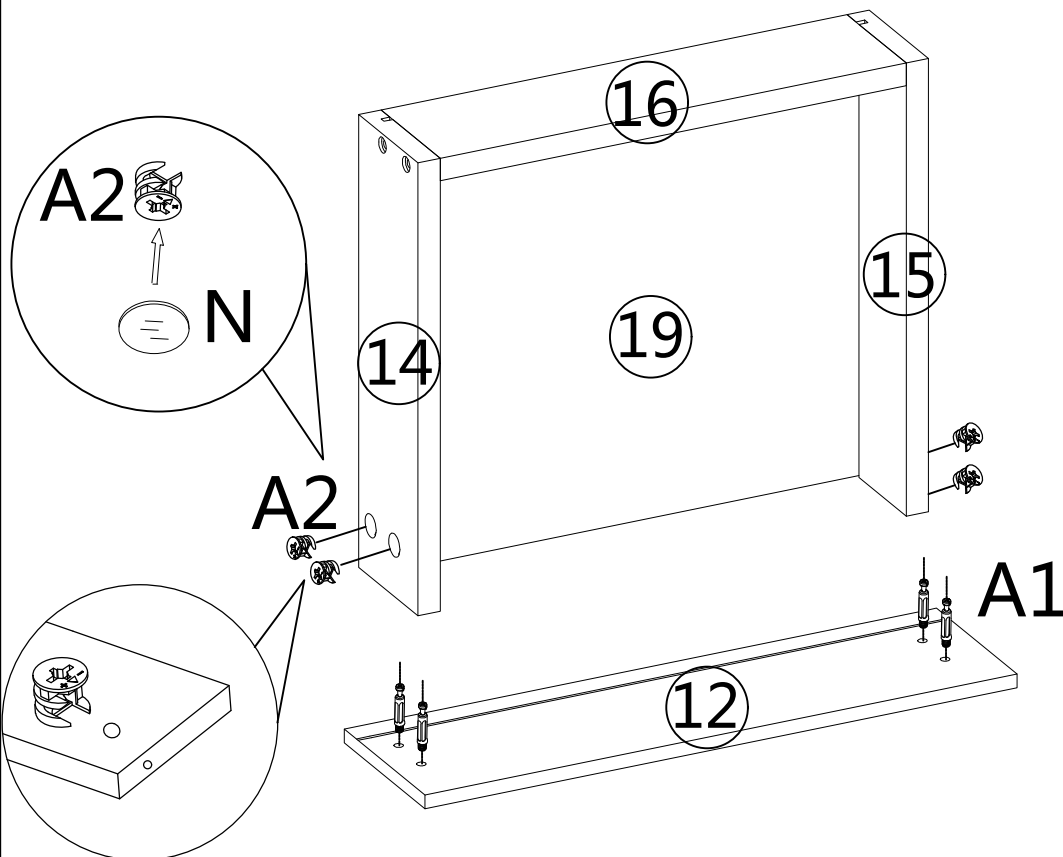
STEP 30




X6



STEP 31

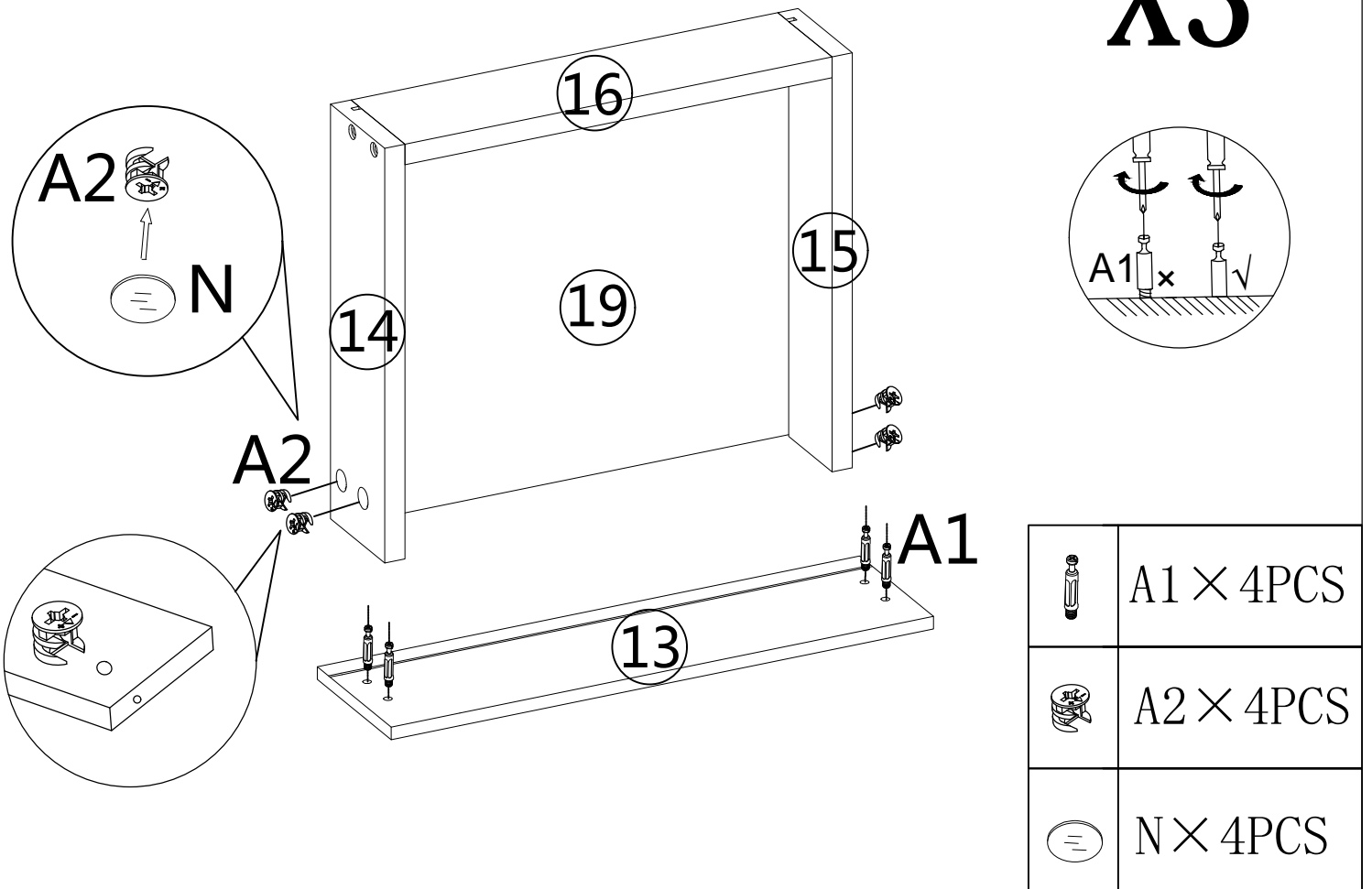
X3






	A1 × 4PCS
	A2 × 4PCS
	N × 4PCS

STEP 32

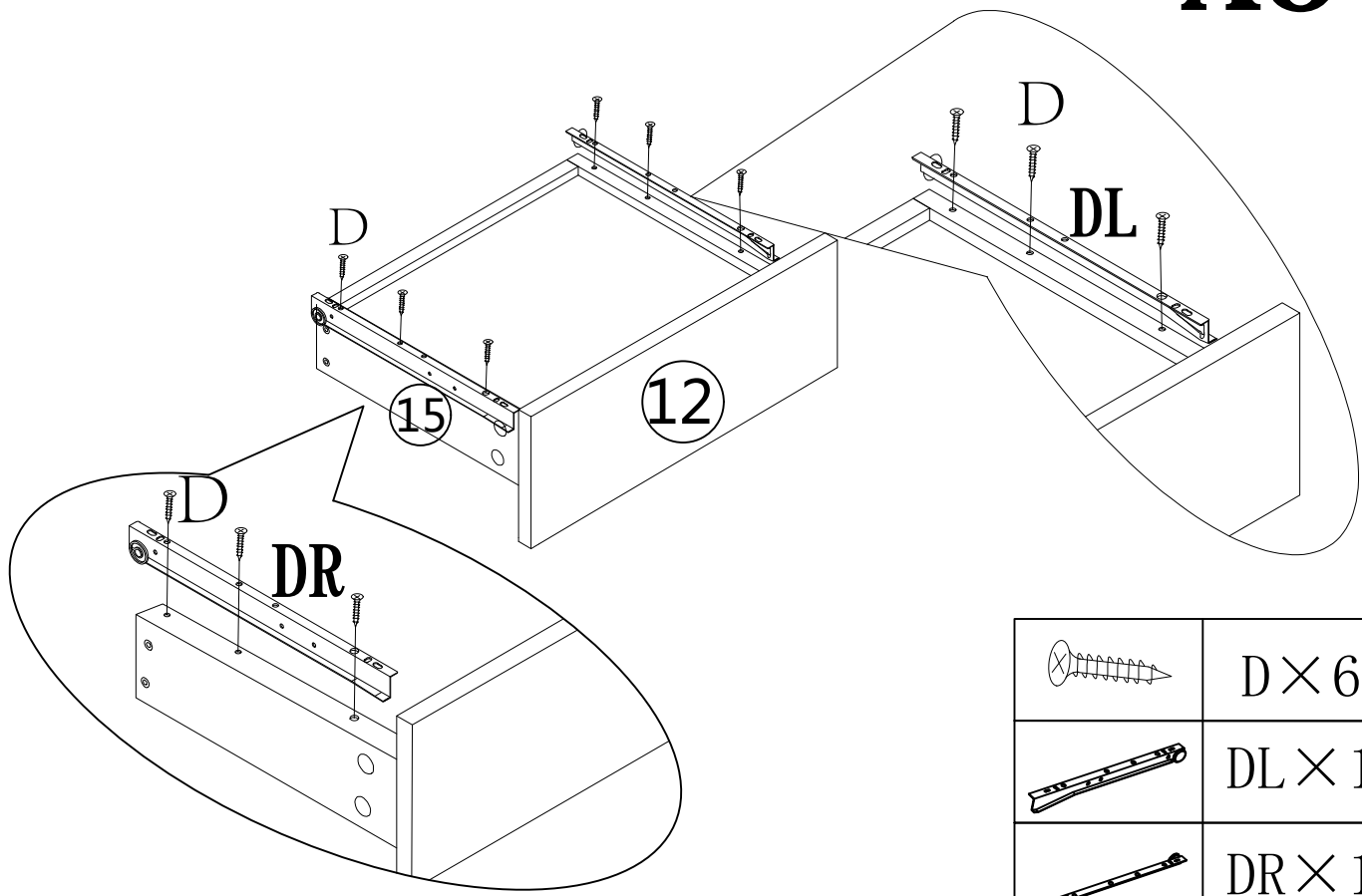
X3

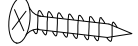




	A1 × 4PCS
	A2 × 4PCS
	N × 4PCS

STEP 33

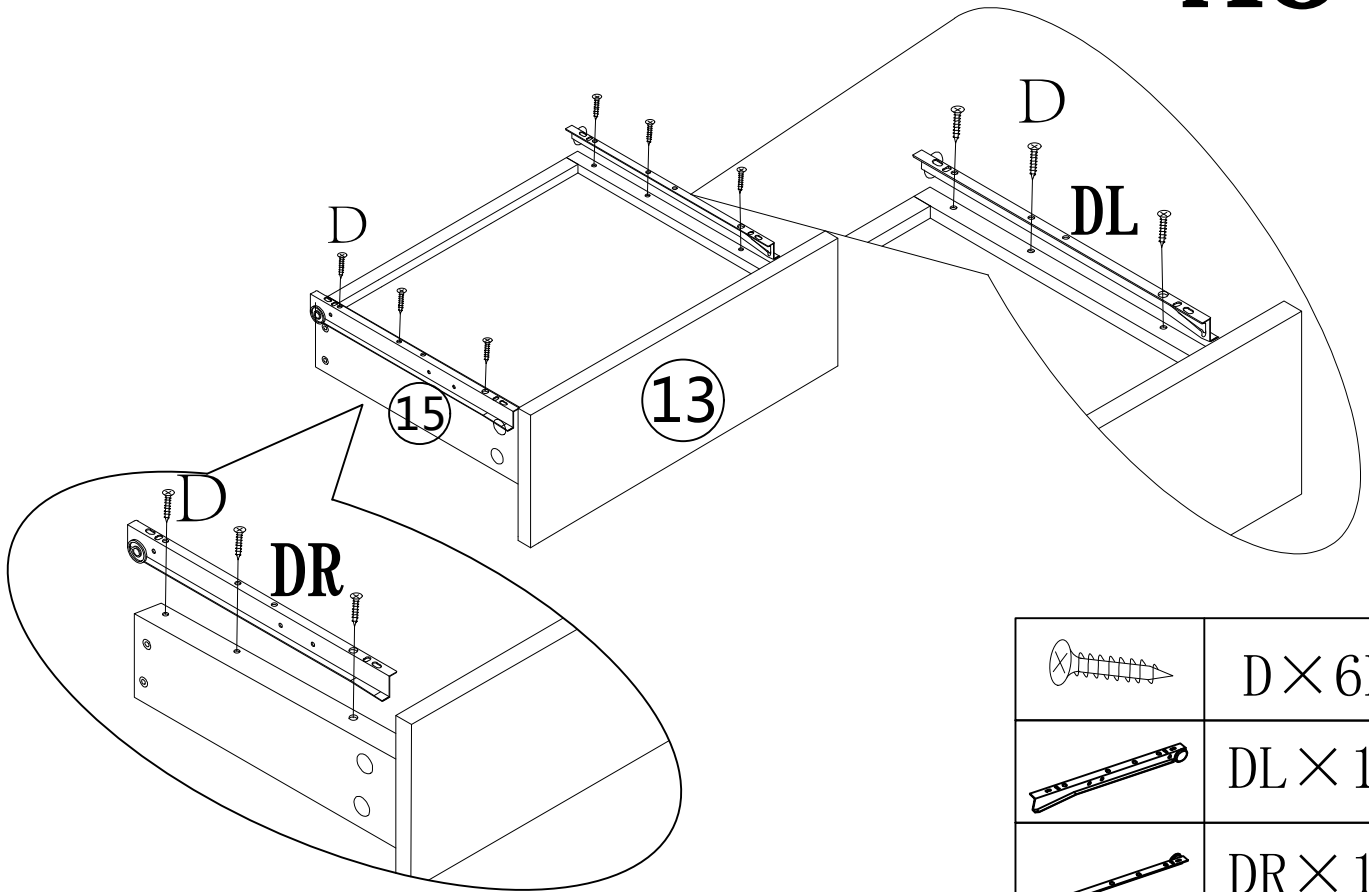
X3



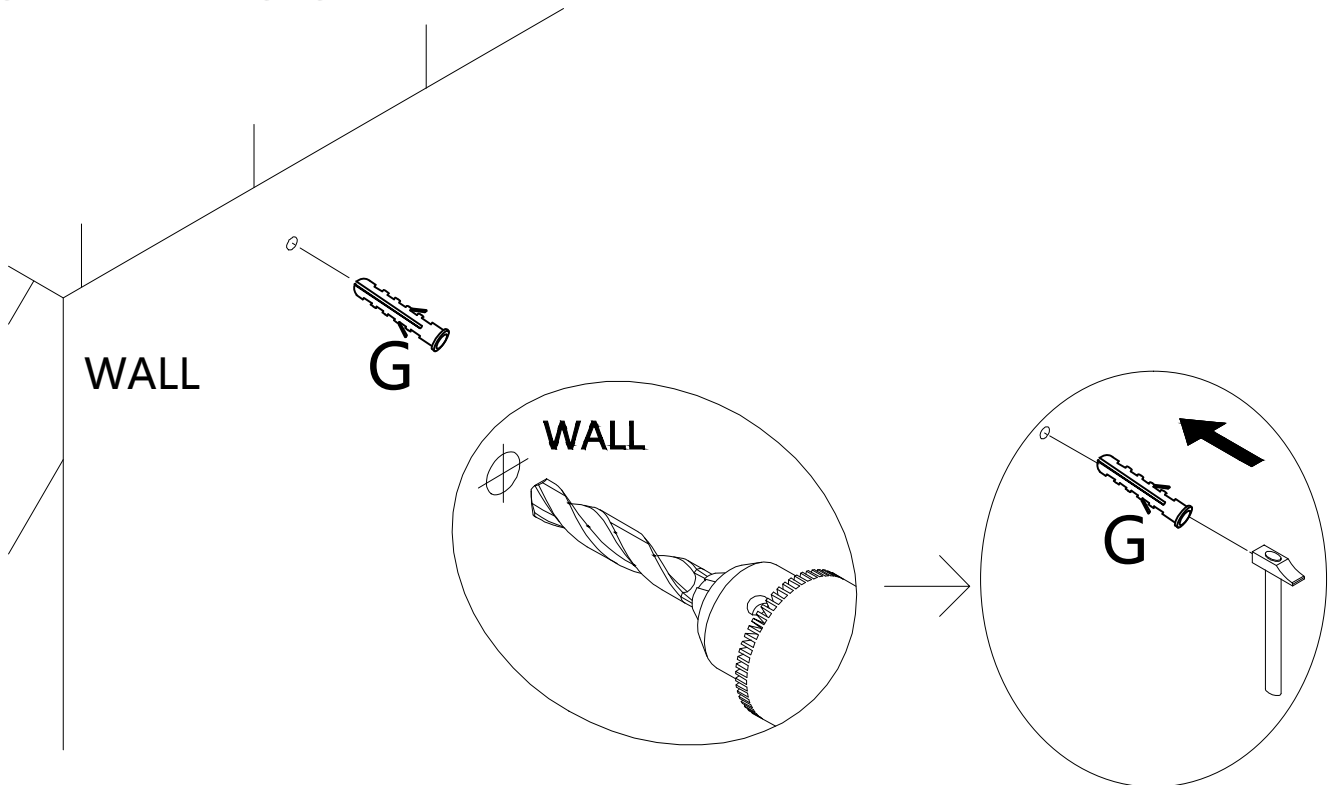
	D × 6PCS
	DL × 1PC
	DR × 1PC


STEP 34

X3



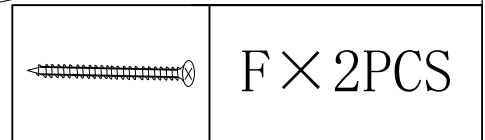
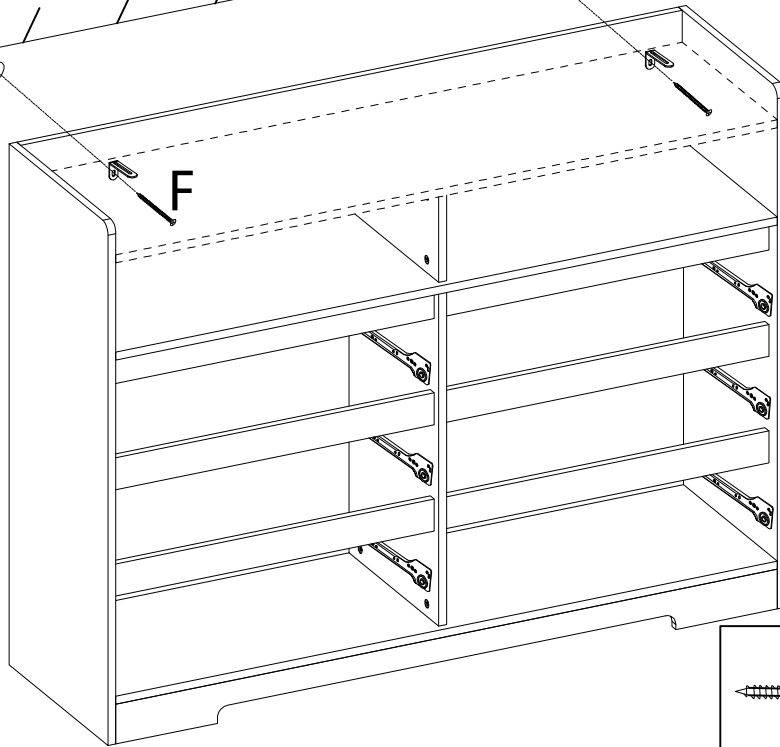
STEP 35



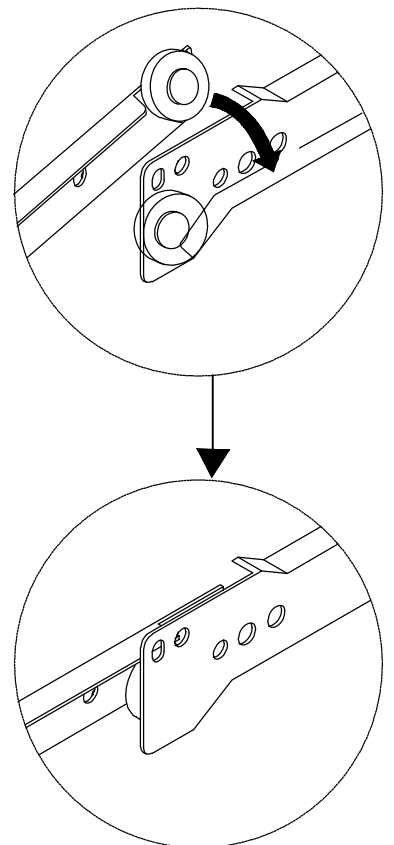
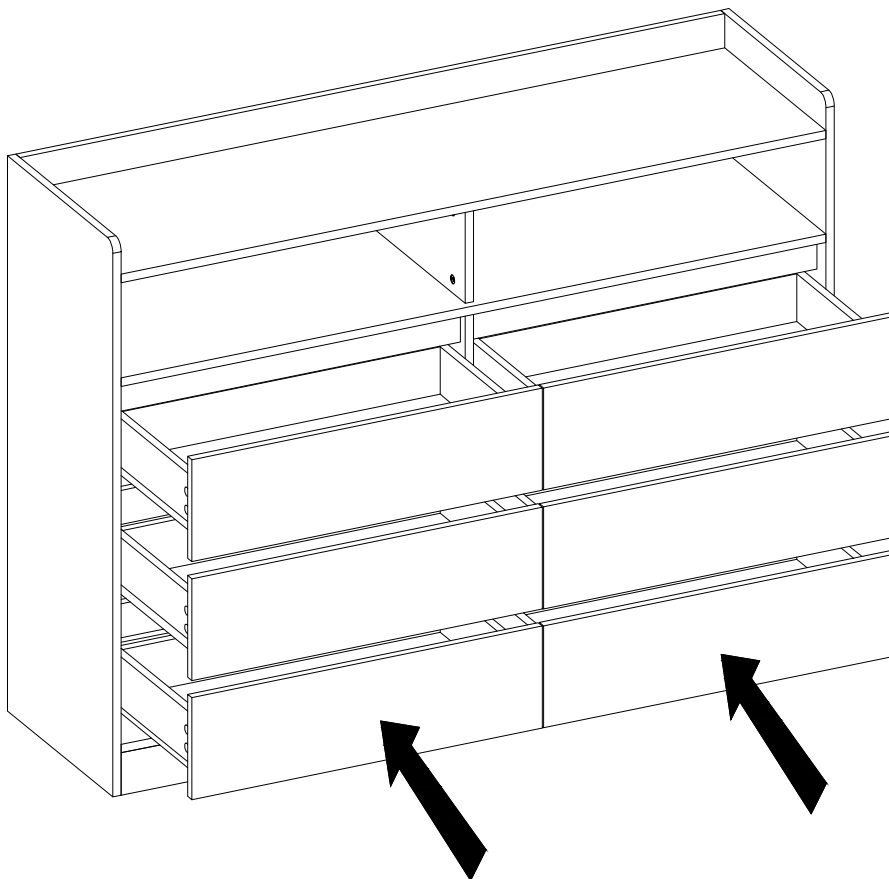
	G × 2PCS
---	----------

STEP 36

WALL



STEP 37



LED Light

If you can't let the lights work successfully, please check the following:

1. Please check the direction of the connect, try it in the opposite direction, according to the following picture.
2. Please check the remote control, it need you to tear down the plastic septum before use it.
3. Don't let the remote control too far from the receiver, make sure there is no obstruction between them.

