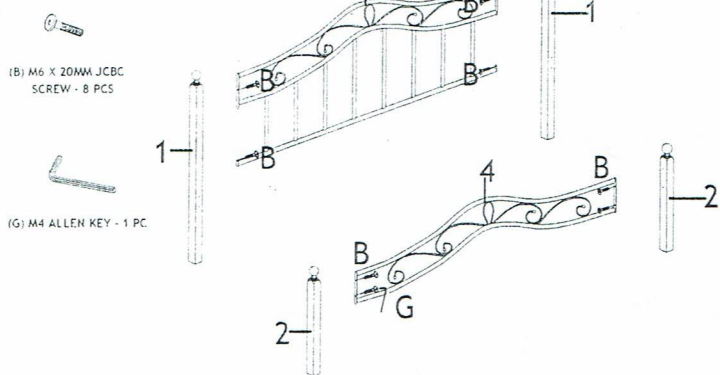


ASSEMBLY INSTRUCTION

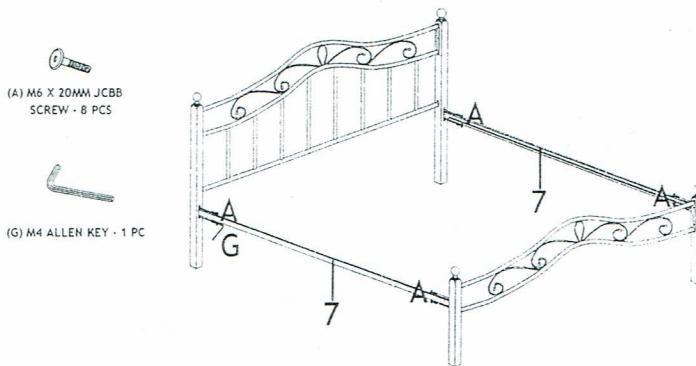
MODEL : KING BED - 4 PCS WOODEN SUPPORT LEGS

Before you begin, please follow Assembly Instruction carefully. Follow them step by step.

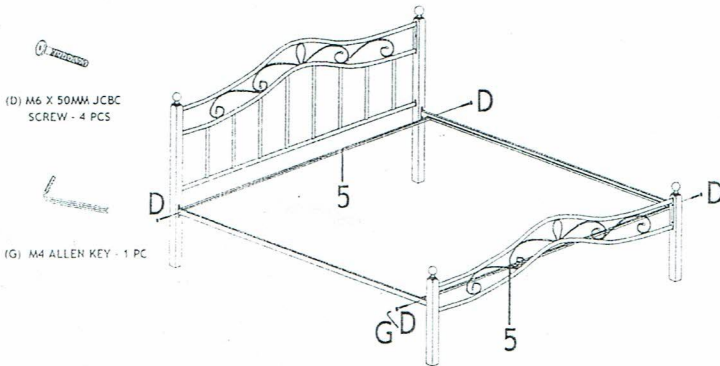
STEP 1



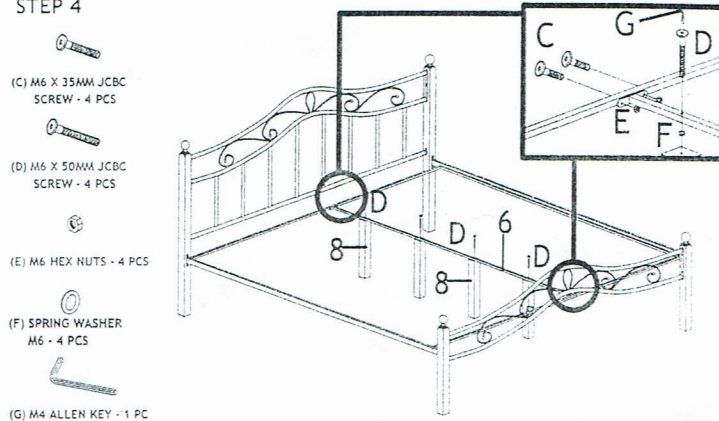
STEP 2



STEP 3



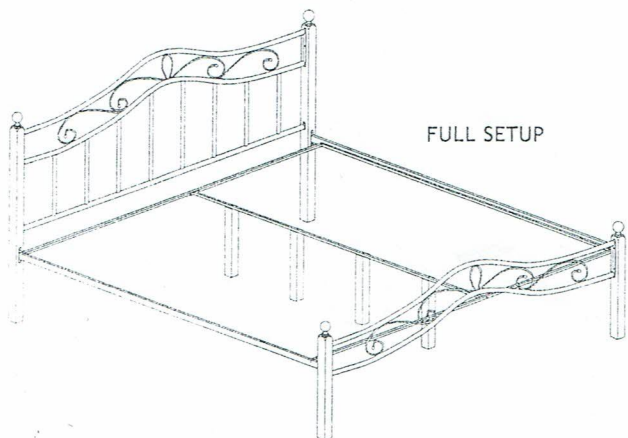
STEP 4



ASSEMBLY INSTRUCTION

MODEL : KING BED - 4 PCS WOODEN SUPPORT LEGS

Before you begin, please follow Assembly Instruction carefully. Follow them step by step.



PART LIST

1 HEAD POST X 2 PCS	2 FOOT POST X 2 PCS	5 CENTER RAIL X 1 PC
3 HEADBOARD X 1 PC	4 FOOTBOARD X 1 PC	7 METAL SIDE RAIL X 2 PCS
5 MIDDLE RAIL X 2 PCS	8 WOODEN CENTER SUPPORT LEGS X 4 PCS	

HARDWARE LIST

 (A) M6 X 20MM JCBB SCREW - 8 PCS	 (D) M6 X 50MM JCBC SCREW - 8 PCS	
 (B) M6 X 20MM JCBC SCREW - 8 PCS	 (E) M6 HEX NUTS - 4 PCS	 (F) SPRING WASHER M6 - 4 PCS
 (C) M6 X 35MM JCBC SCREW - 4 PCS	 (G) M4 ALLEN KEY - 1 PC	