

ASSEMBLY INSTRUCTION

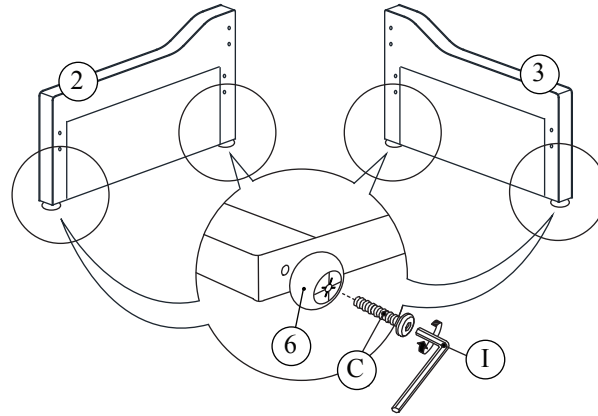
Holtz Twin Daybed with Trundle

NO	PART LIST	QTY
1	BACK REST	1PC
2	SIDE PANEL (L)	1PC
3	SIDE PANEL (R)	1PC
4	FRONT SIDE RAIL	1PC
5	BACK SIDE RAIL	1PC
6	LEG	4PCS
7	SLAT	2 SET
8	TRUNDLE FRONT RAIL	1PC
9	TRUNDLE BACK RAIL	1PC
10	TRUNDLE SIDE RAIL	2PCS
11	SLAT	2 SET
12	SLAT SUPPORT	3PCS
13	CASTOR	6PCS

ITEM	HARDWARE	QTY
A	JCBB SCREW M8 x 20MM	16PCS
B	JCBC SCREW M6 x 40MM	4PCS
C	JCBC SCREW M6 x 50MM	16PCS
D	SPRING WASHER	16PCS
E	FLAT WASHER (BIG)	4PCS
F	FLAT WASHER (SMALL)	12PCS
G	SCREW M4 x 16MM	24PCS
H	SCREW M4 x 32MM	16PCS
I	L - KEY M4 x 100MM	1PC
J	L - KEY M5 x 65MM	1PC

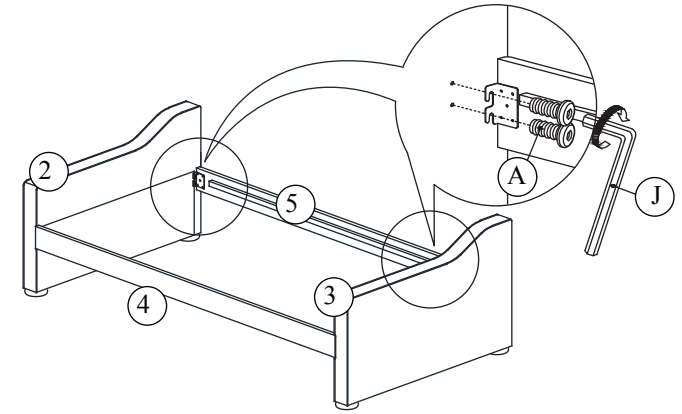
STEP 1

Begin assembly by attaching each Leg (6) to the bottom of the Side Panel (2) & (3) securing with 2 Allen Bolt (C) per panel using L-key (I).



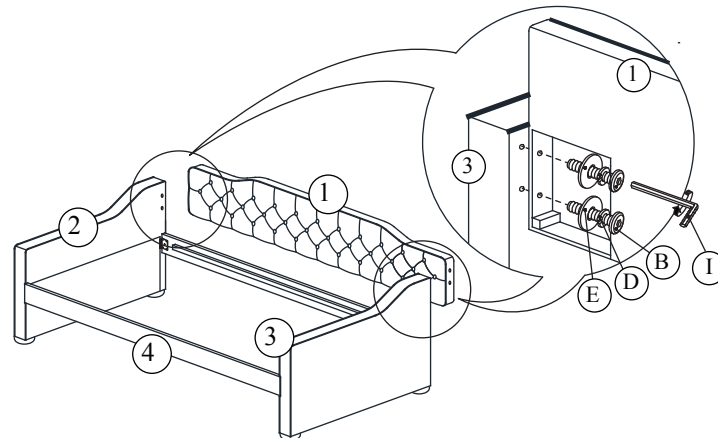
STEP 2

Attach the Front Rail (4) and Back Rail (5) to the Side Panel (2) & (3) aligning the holes and securing with 2 Allen Bolts (A) per each end using L-key (J). (DO NOT FULLY TIGHTEN BOLTS FOR THIS STEP)



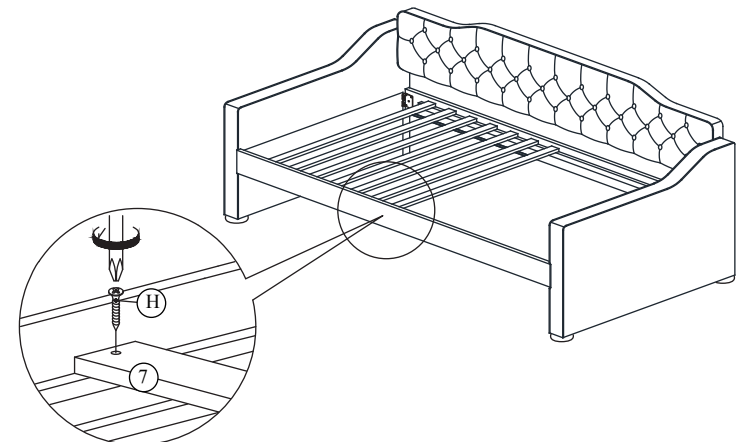
STEP 3

Attach the Back Rest (1) to the back of each Side Panel (2) & (3) by aligning the hole and securing with 2 Allen Bolts (B), 2 Spring Washer (D), 2 Flat Washer (E) from the back side per each end using L-key (I). (DO NOT FULLY TIGHTEN BOLTS FOR THIS STEP)



STEP 4

Tighten All Bolts from step 1 to step 4 by using L-key (I) & (J) that has been provided. Attached Slat (7) to Front Side Rail (4) & Back Side Rail (5) by unrolling and securing with 6 Screw (H), per set using Phillips Head Screwdriver. Repeat the same step to attach another set of Slat (7).

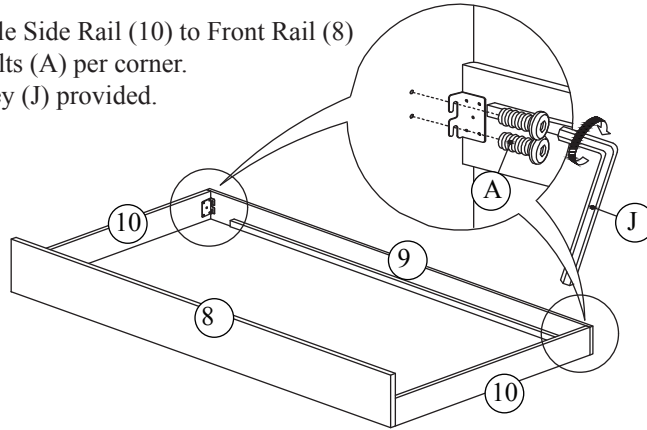


Please do not tighten the hardware until the entire assembly is completed.

ASSEMBLY INSTRUCTION

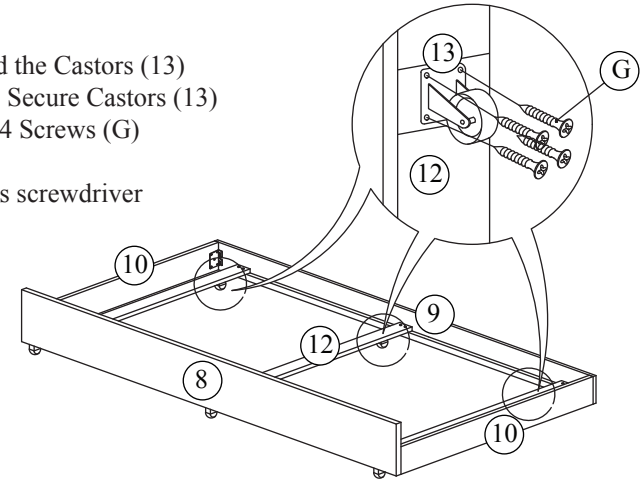
STEP 5

Begin with attaching Trundle Side Rail (10) to Front Rail (8) & Back Rail (9) using 2 Bolts (A) per corner. Tighten bolts with Allen Key (J) provided.



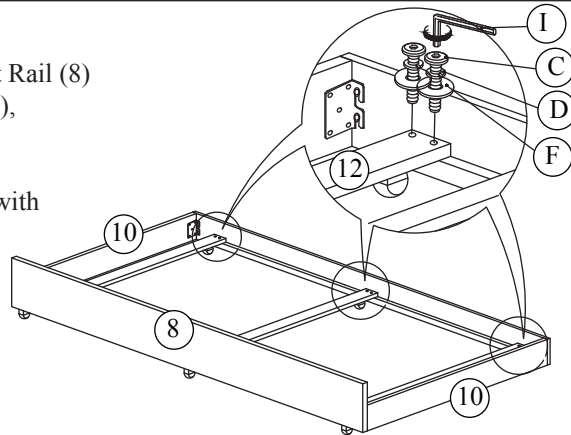
STEP 6

Assembly by tracing around the Castors (13) onto the Slats Support (12). Secure Castors (13) to Slats Support (12) using 4 Screws (G) per castor. Tighten screws with Phillips screwdriver (NOT INCLUDED)



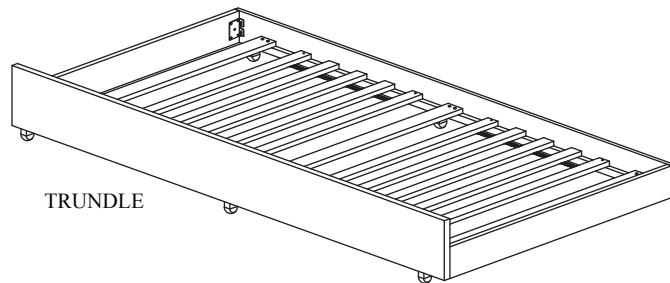
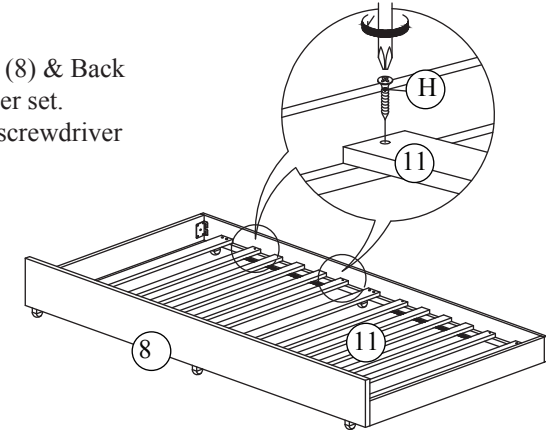
STEP 7

Attach Slat Support (12) to Front Rail (8) & Back Rail (9) using 2 Bolts (C), 2 Spring Washers (D) and 2 Flat Washer (F) on each end of each Slat Support (12). Tighten bolts with Allen Key (I).

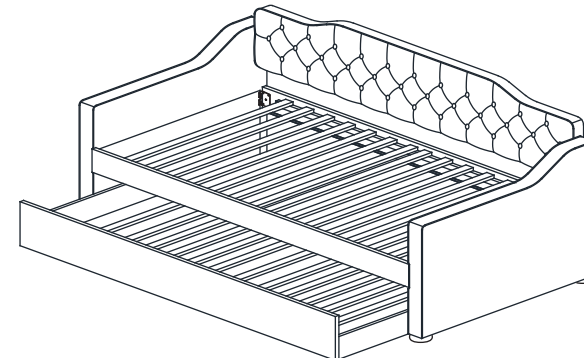


STEP 8

Attach Slat (11) to Front Rail (8) & Back Rail (9) using 4 Screws (H) per set. Tighten screws with Phillips screwdriver (NOT INCLUDED)



TRUNDLE



FULL SET

ASSEMBLY COMPLETE

Please do not tighten the hardware until the entire assembly is completed.