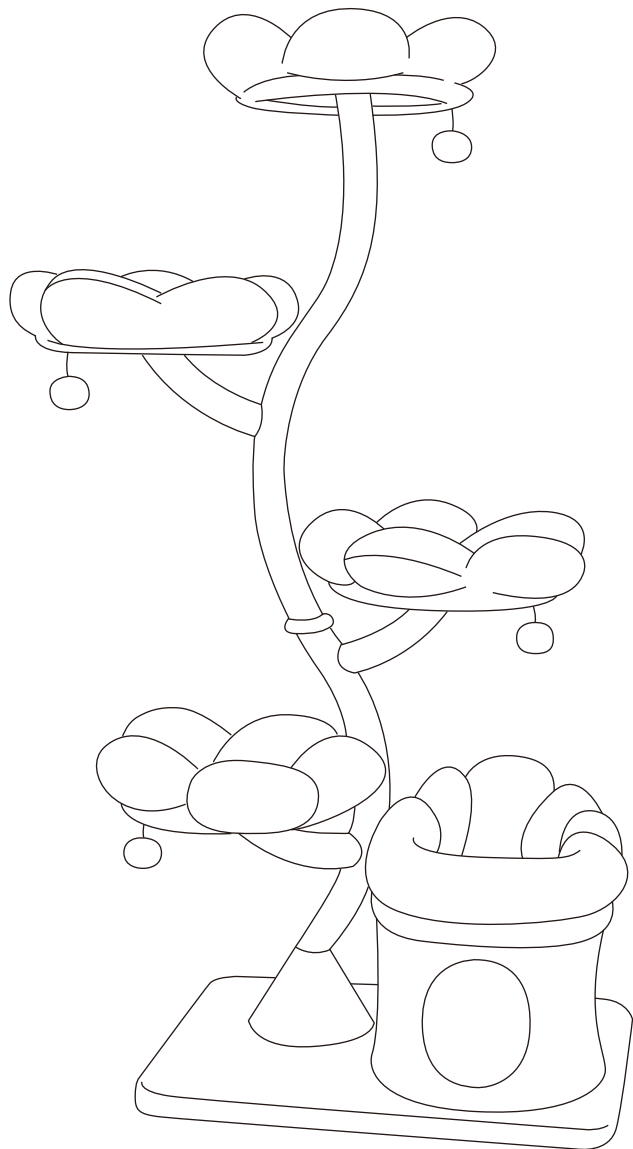
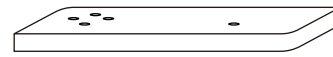


Cat Tree Instruction



Parts List



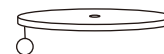
A



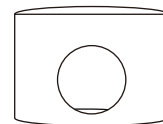
B



C



D*4



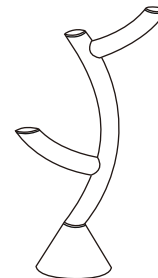
E



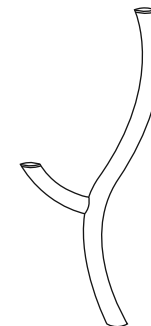
F*4



G



H



I



J*3



K



①*4



②*1



③*3



④*1

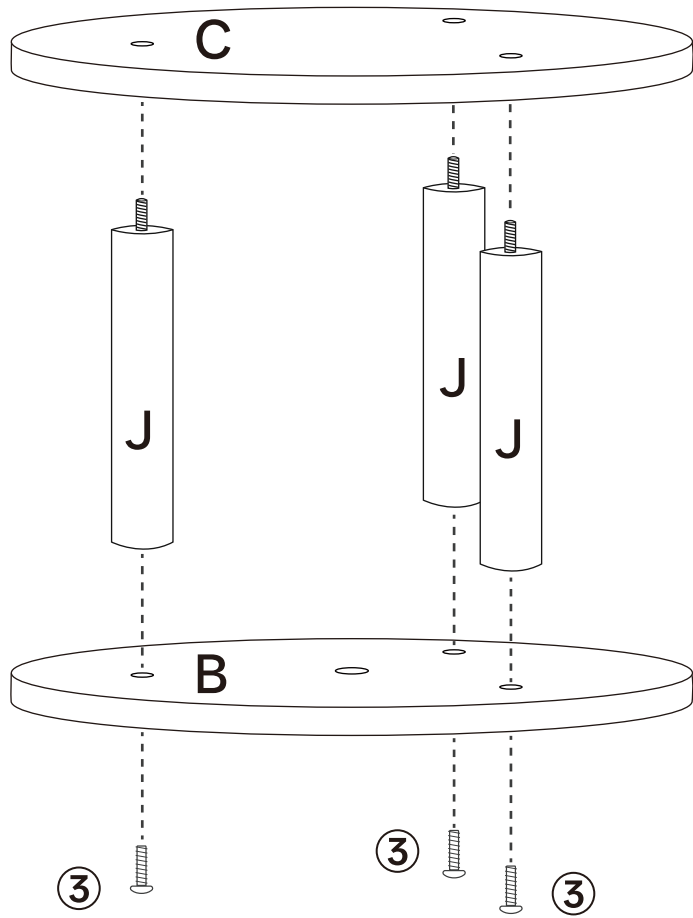


⑤*4

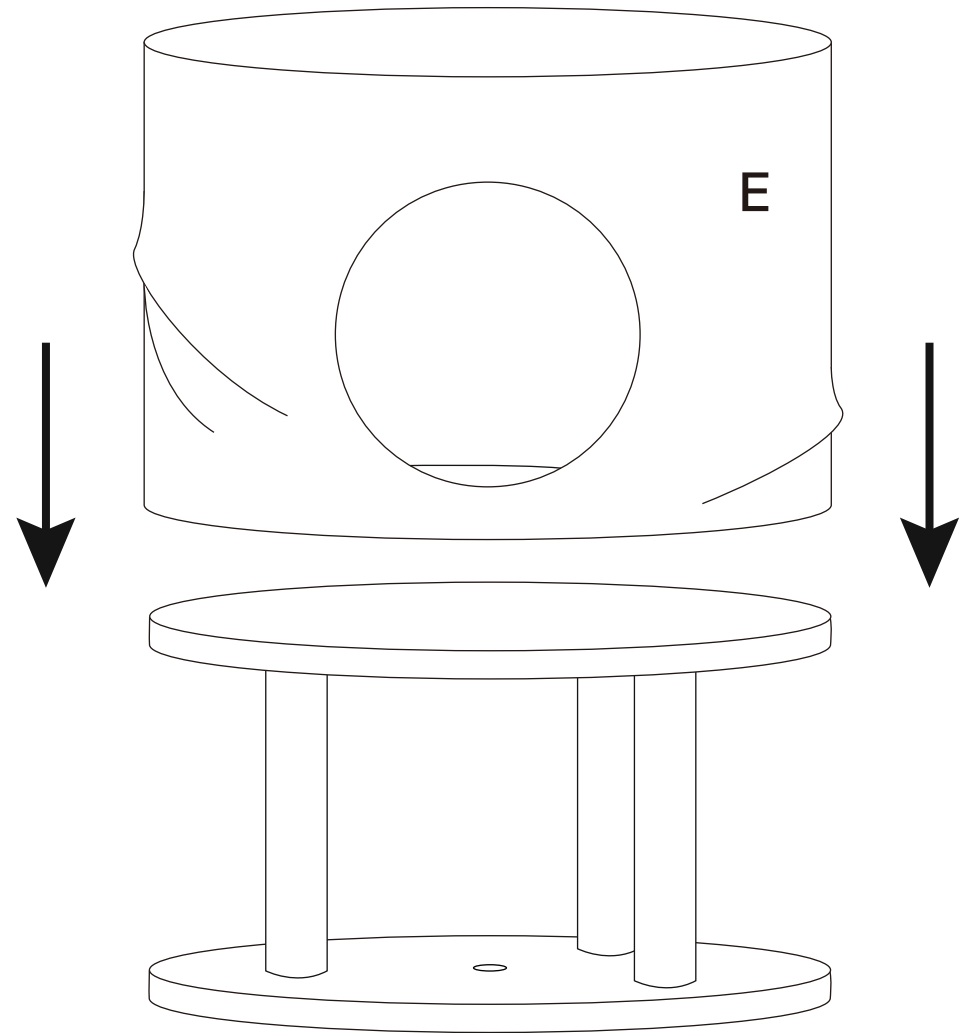


⑥*5

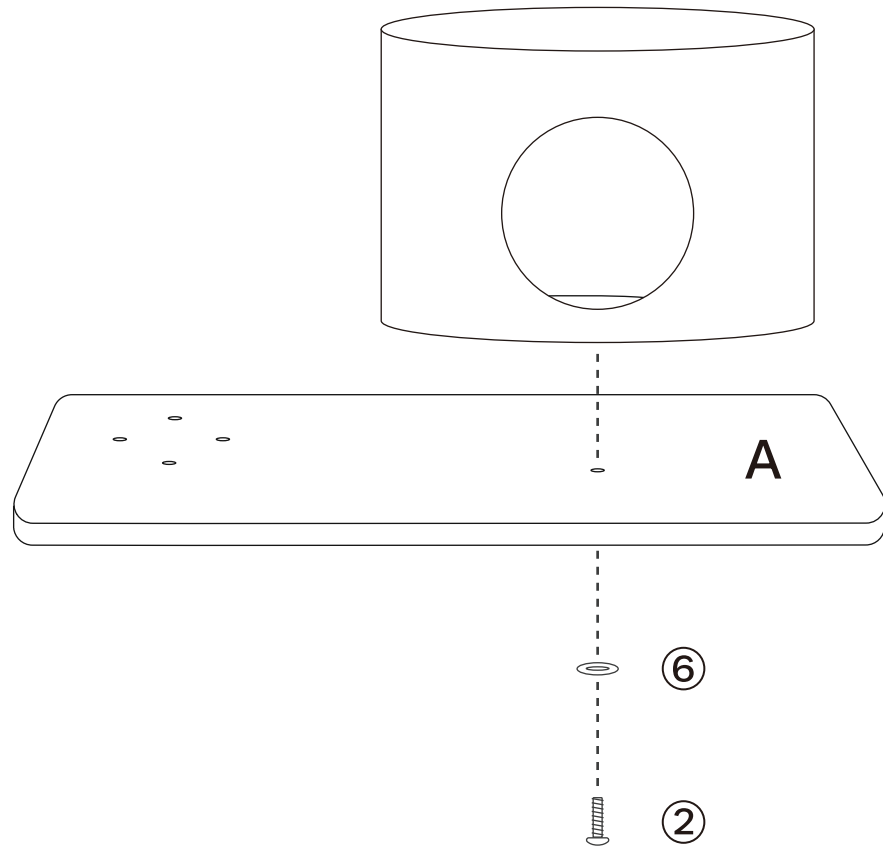
Step 1



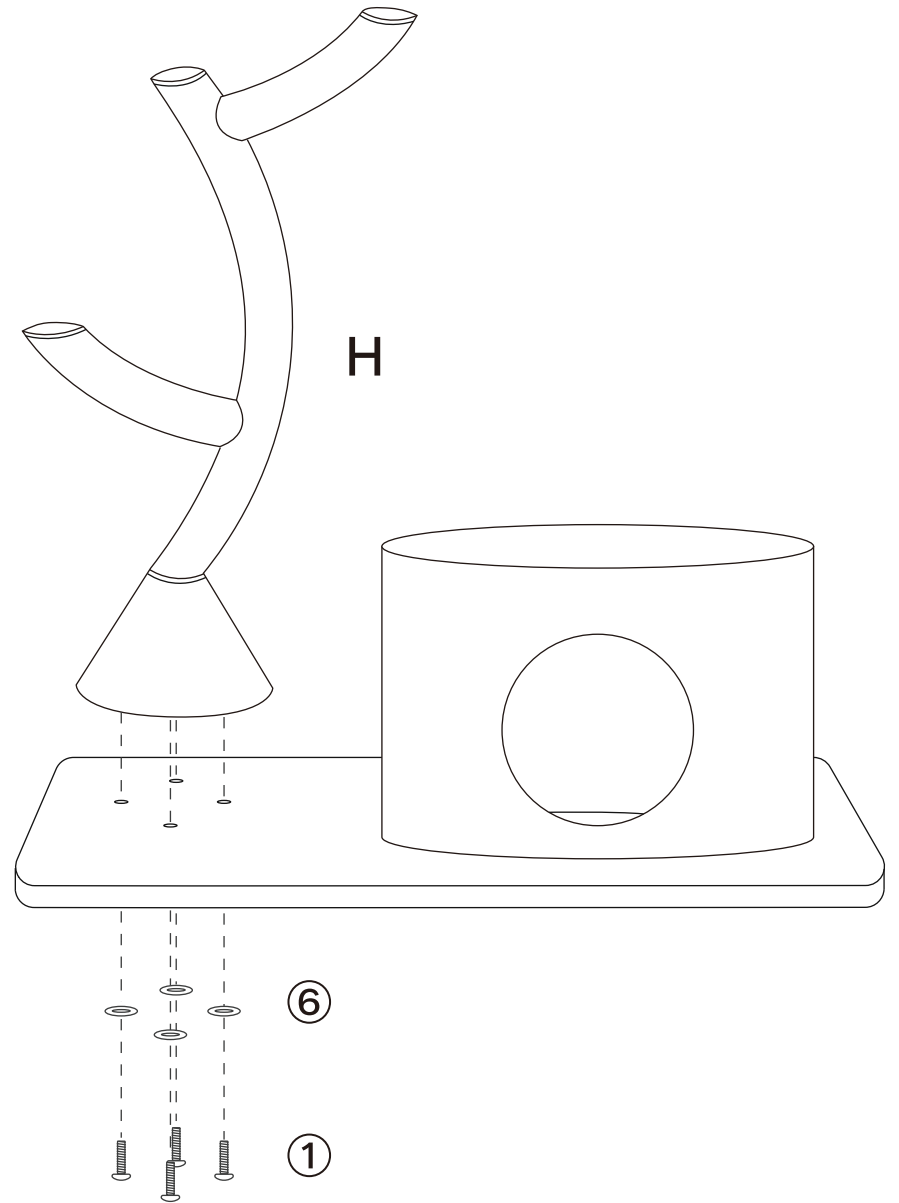
Step 2



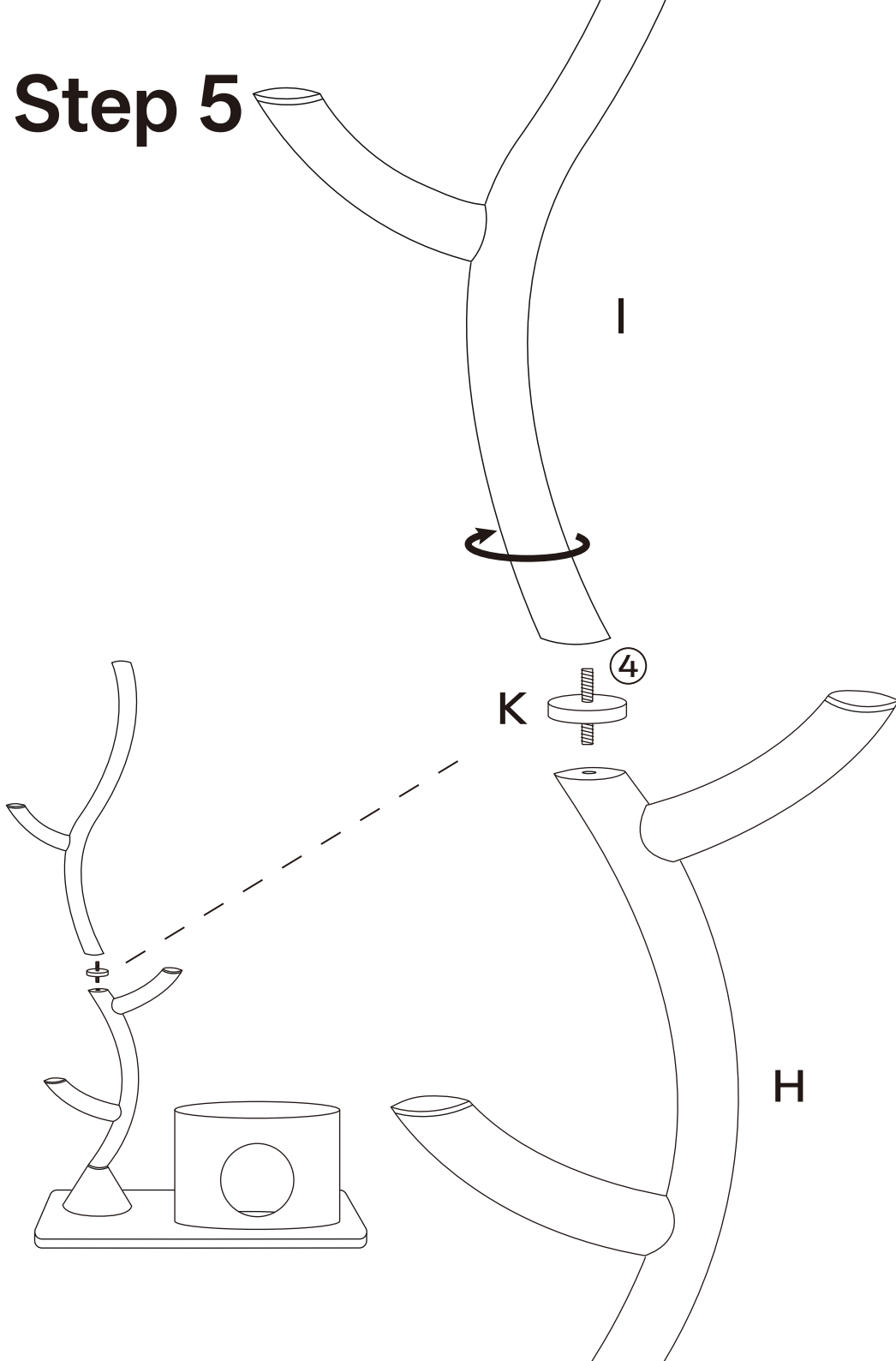
Step 3



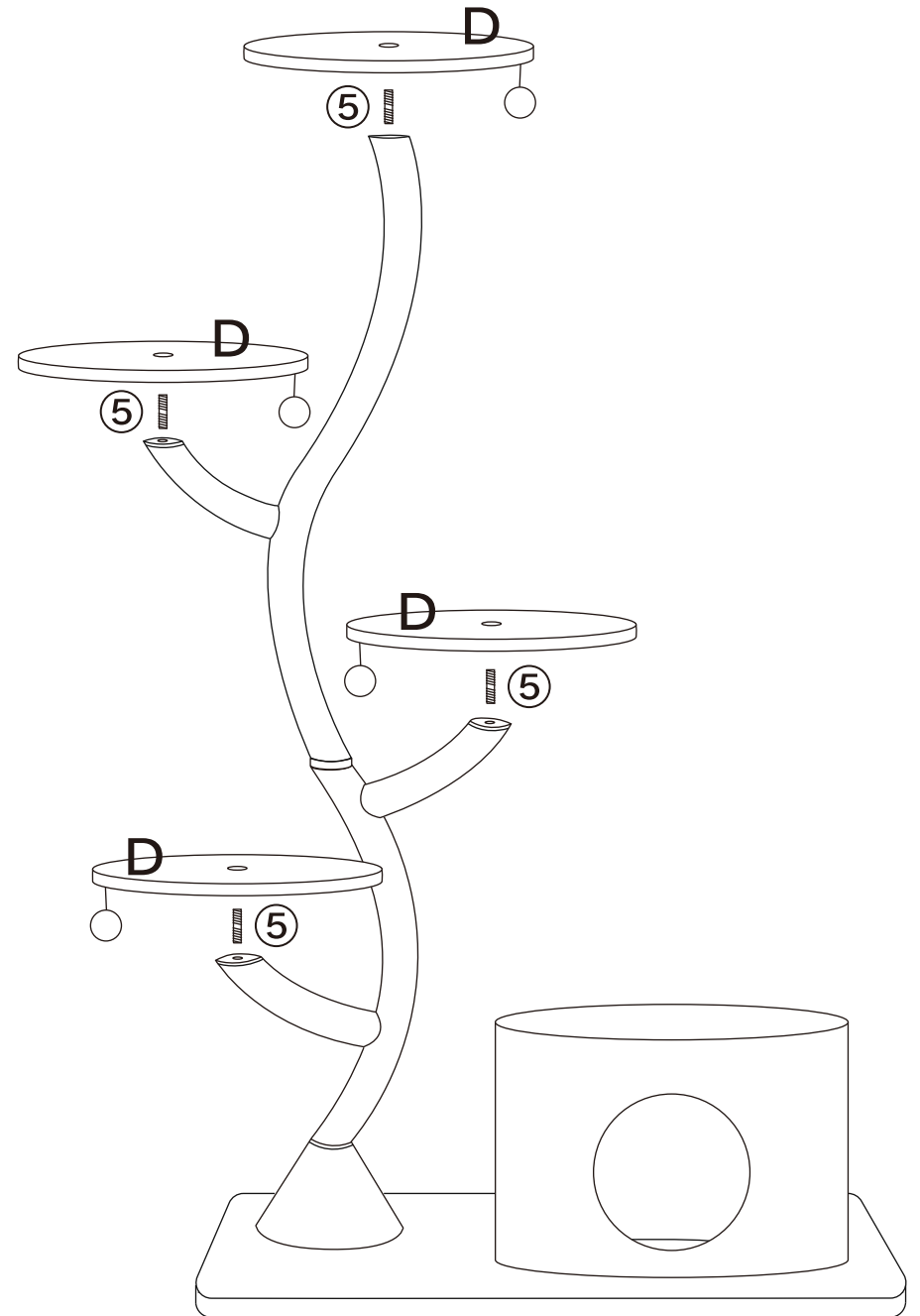
Step 4



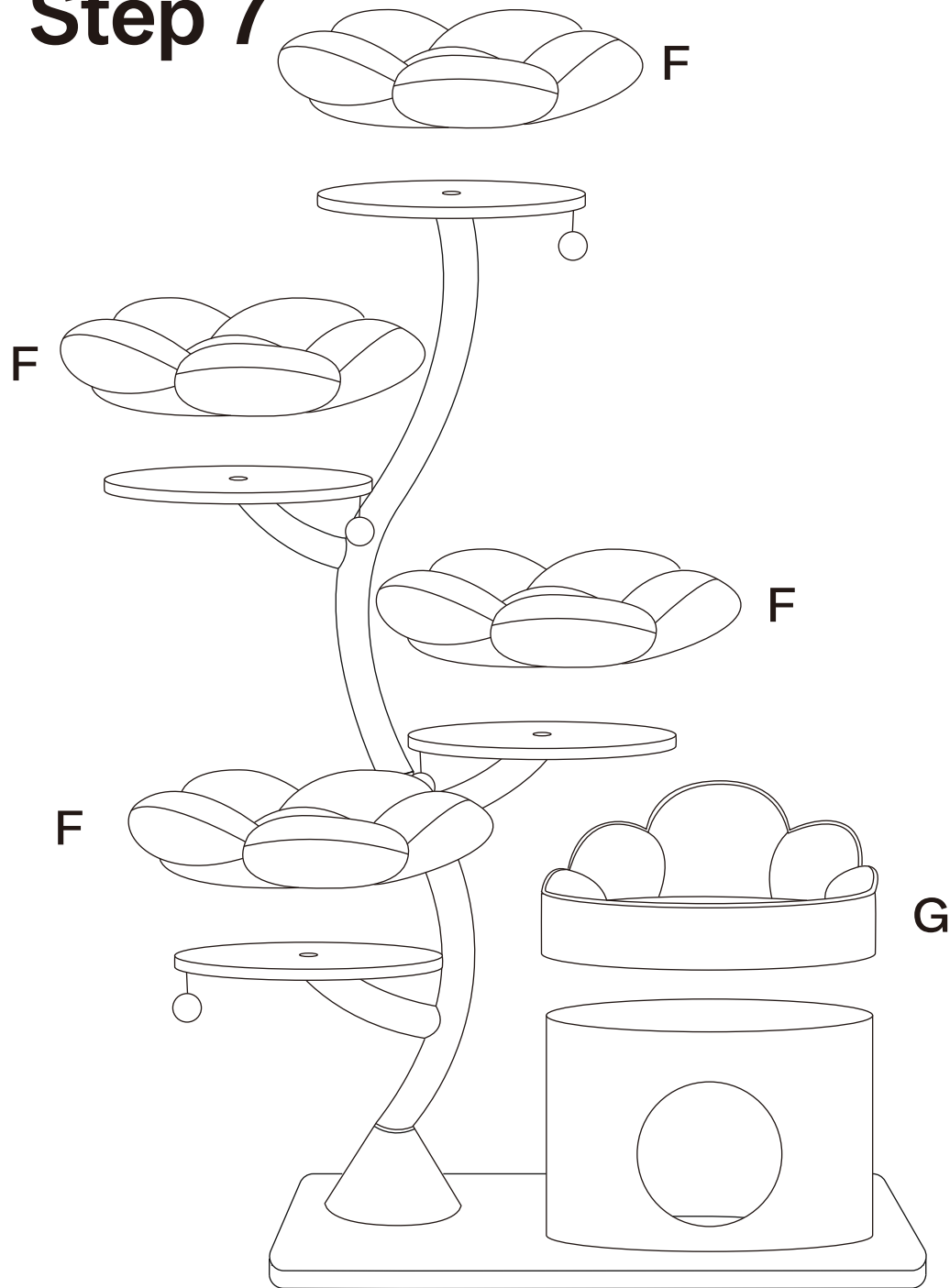
Step 5



Step 6



Step 7



Finished

