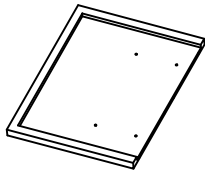


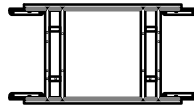
JA25815B-CIM ASSEMBLY INSTRUCTION



A × 2pcs



B × 1pc



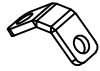
C × 1pc



D × 2pcs



E × 2pcs



F × 1pc

+Spare×1



G × 9pcs
M8*16mm

+Spare×1



H × 9pcs
ø8/ø16*2mm

+Spare×1

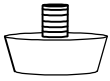


I × 17pcs
M8*16mm



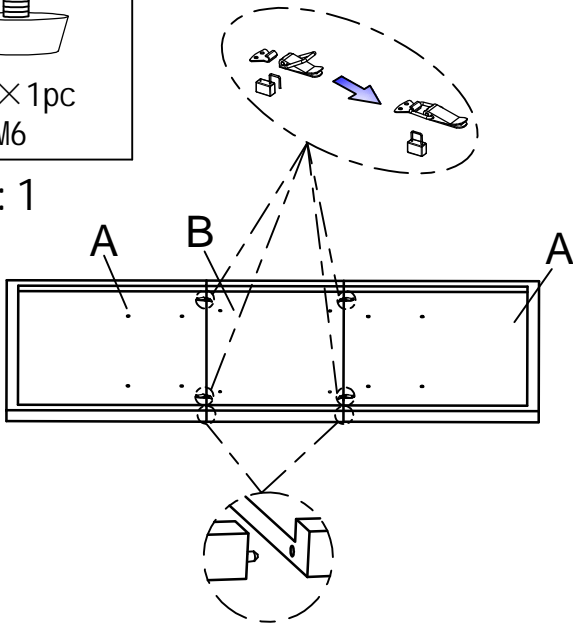
J × 1pc
5#

+Spare×1

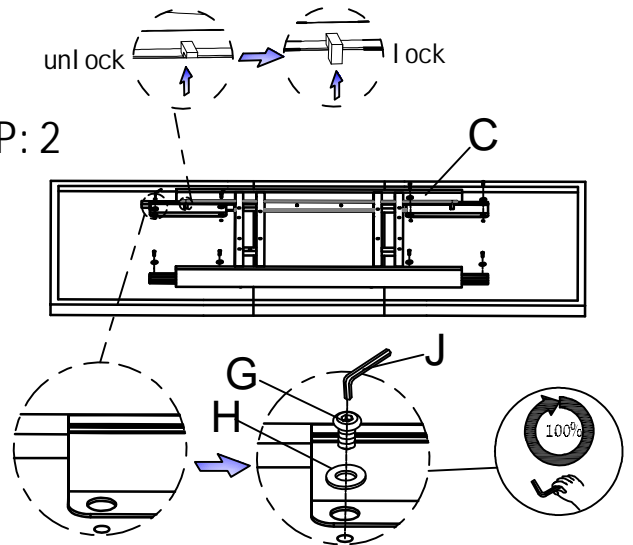


K × 1pc
M6

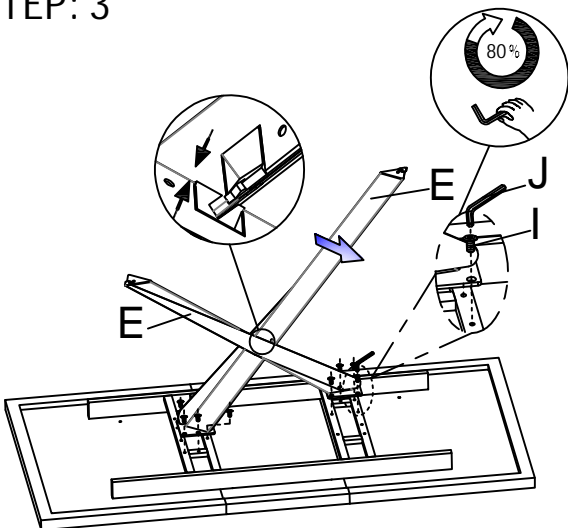
STEP: 1



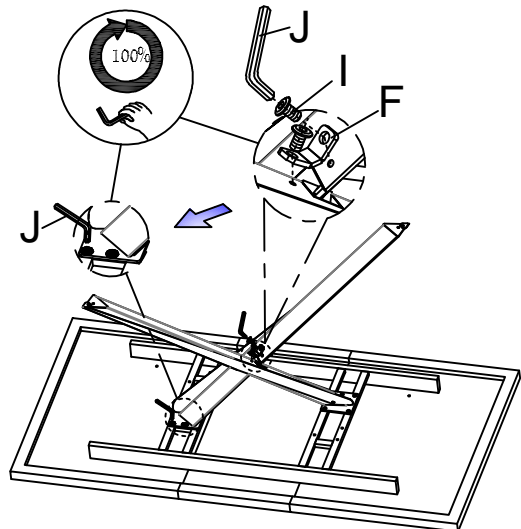
STEP: 2



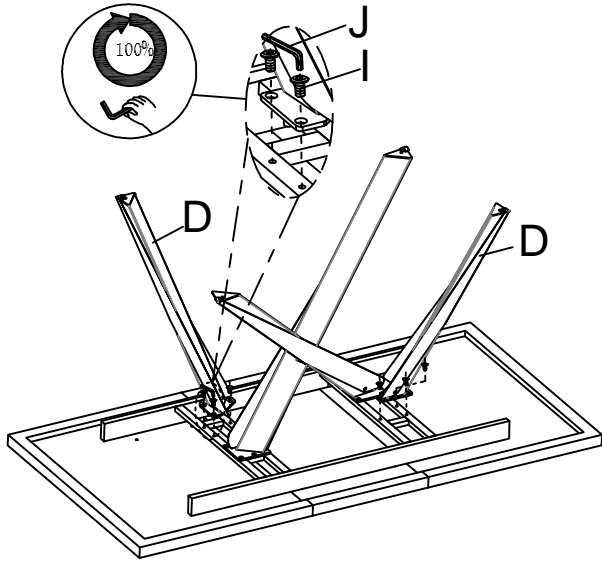
STEP: 3



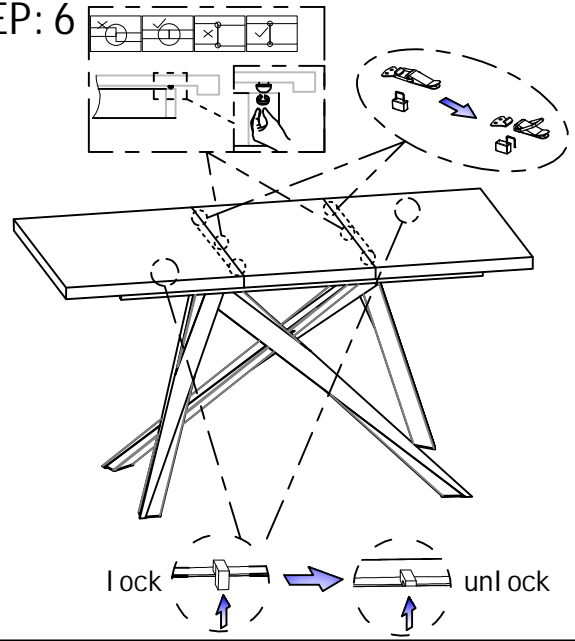
STEP: 4



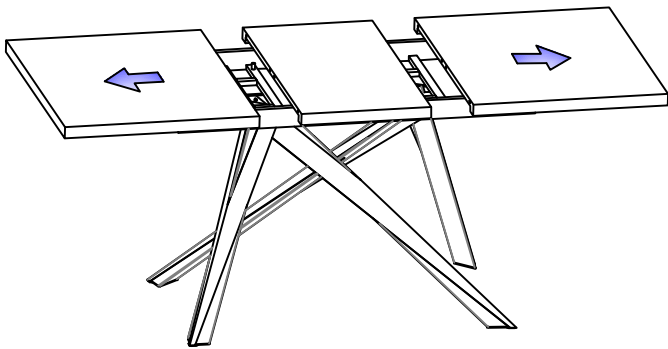
STEP: 5



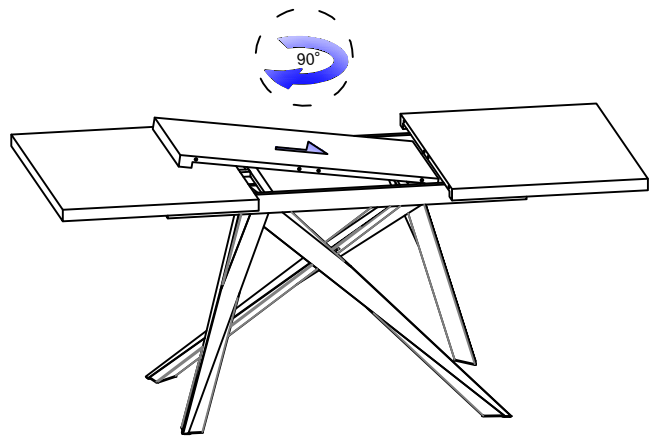
STEP: 6



STEP: 7



STEP: 8



STEP: 9

