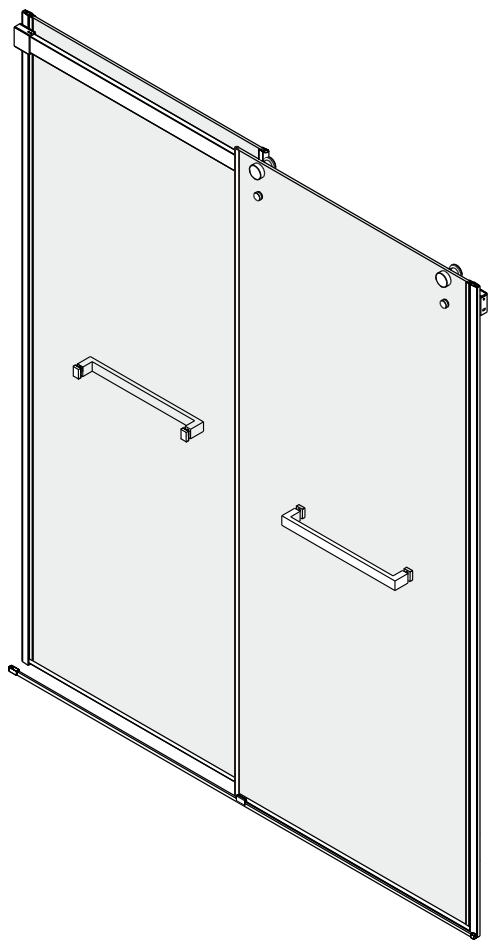
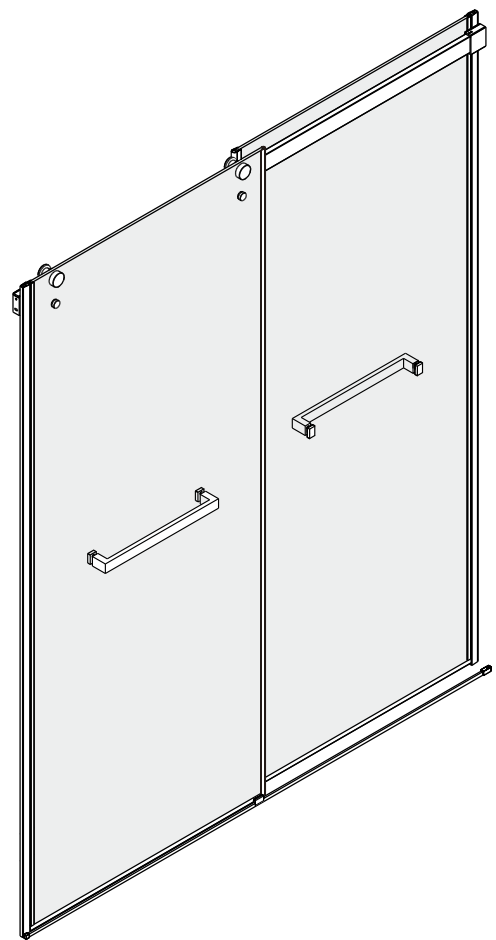


Double Roller Door

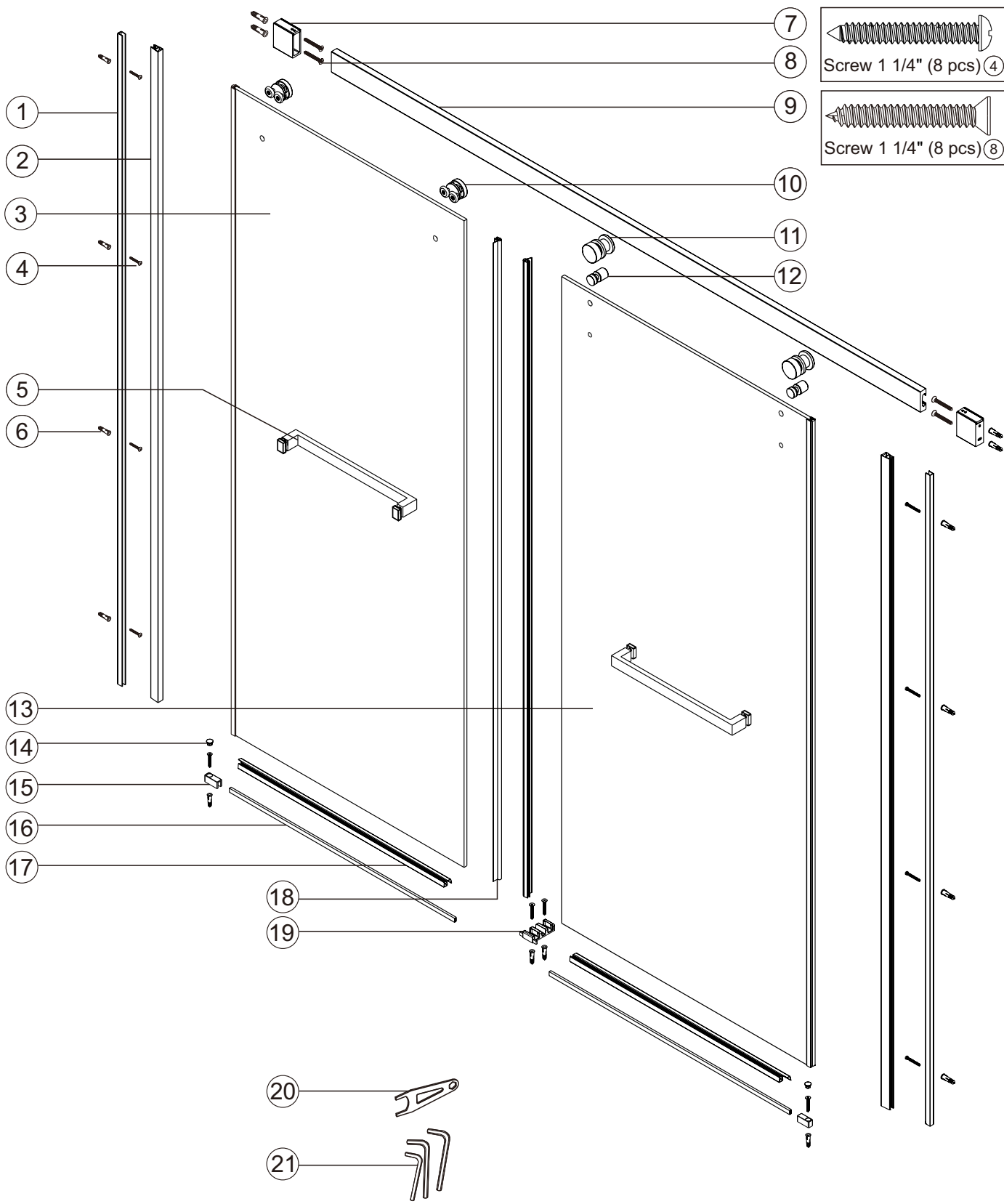
READ THE INSTRUCTIONS CAREFULLY, familiarize yourself with all the parts as shown in the exploded view. The exploded view will also provide a helpful reference when relating to the location of the various parts and how they are mounted.



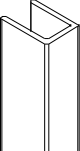
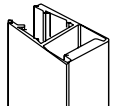
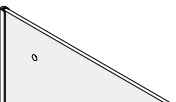
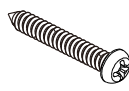
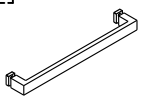
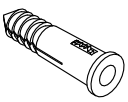
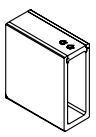
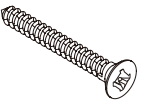
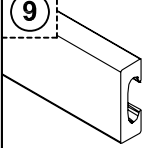
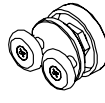
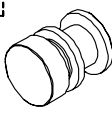
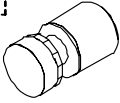
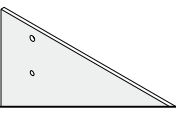

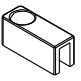
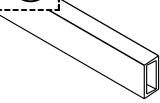
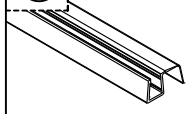
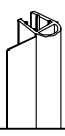
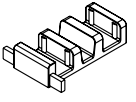


Left Hand Install



Right Hand Install

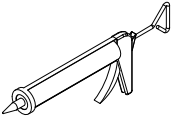
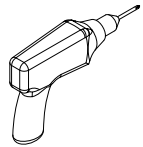
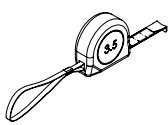
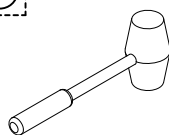
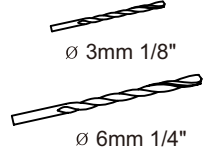

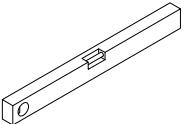
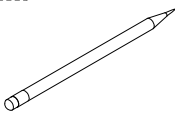
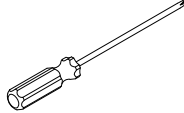
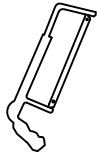




PART LIST

					
Magnetic Aluminum (2 pcs)	180° Magnet Seal Short (2 pcs)	Inner Door (1 pc)	Screw 1 1/4" (8 pcs)	Handle (2 pcs)	Wall Anchor (16 pcs)
					
Rail Wall Bracket Kits (2 pcs)	Screw 1 1/4" (8 pcs)	Top Rail (1 pc)	Double Roller (2 pcs)	Roller (2 pcs)	Anti-Jumper (2 pcs)
					
Outer Door (1 pcs)	Screw Cover (2 pcs)	Threshold Cover (2 pcs)	Threshold (2 pcs)	Threshold gasket (2 pcs)	Water-Retaining Gasket (2 pcs)
					
Door Guide (1 pc)	Spanner (2 pcs)	Allen Key (3 pcs)			

WARNING: Safety glasses should always be worn when working with tempered glass

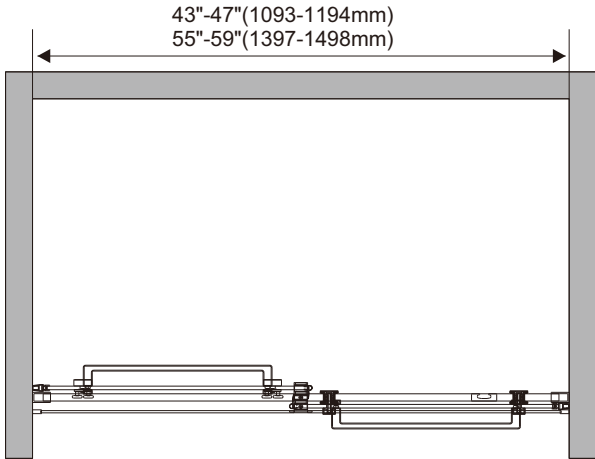
Recommended Tools

				 Ø 3mm 1/8" Ø 6mm 1/4"	
SILICONE	DRILL	TAPE MEASURE	RUBBER MALLET	DRILL BITS	KNIFE
					
LEVEL	PENCIL	SCREW DRIVERS	HANDSAW	SAFETY GLASSES	CUTTING NIPPERS

Choose whether you will need to assemble your shower door
Follow the appropriate diagram below.

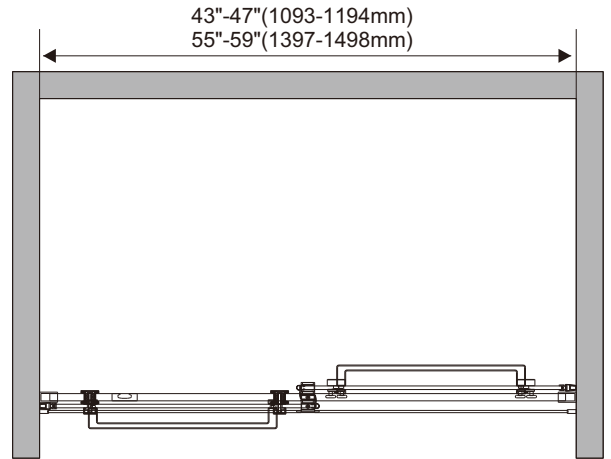
Left Hand Assembly

STEP 1
1. Installation Measurement.



Right Hand Assembly

STEP 1
1. Installation Measurement.

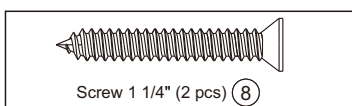
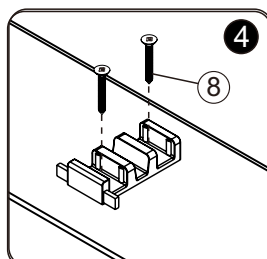
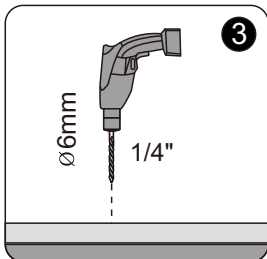
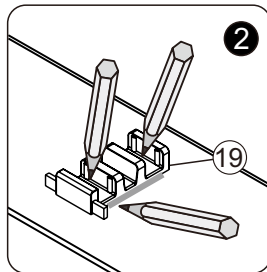
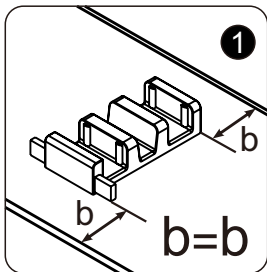
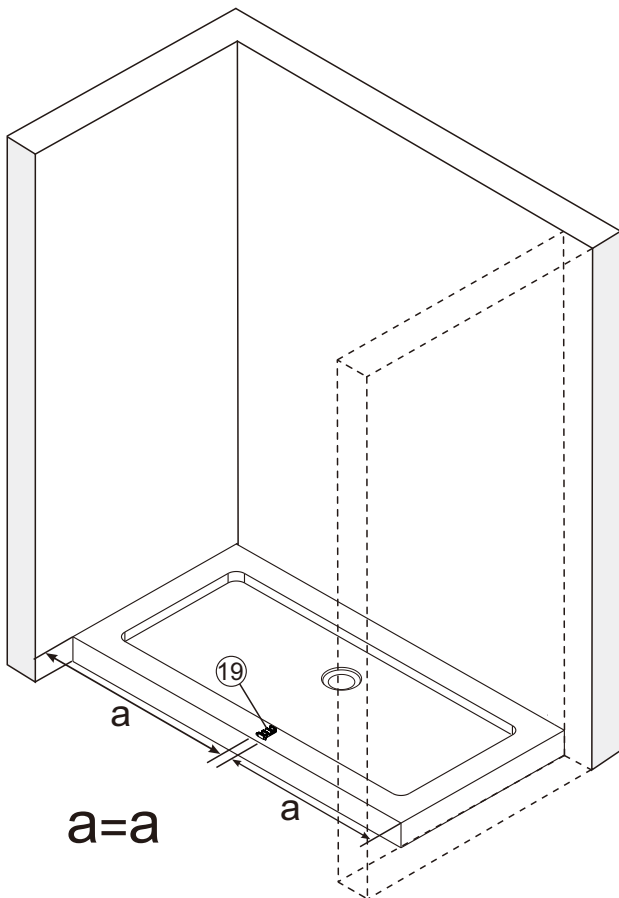


Choose which diagram you will need to assemble your shower door.
Follow the appropriate diagram below.

Left Hand Assembly

STEP 2

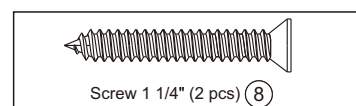
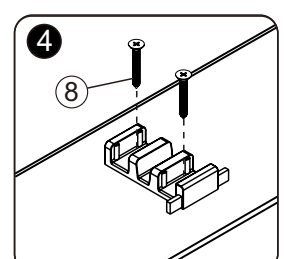
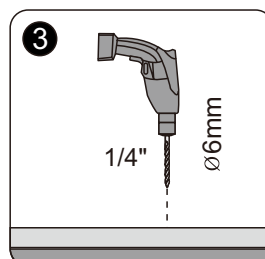
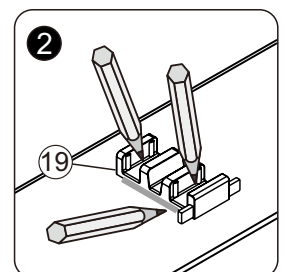
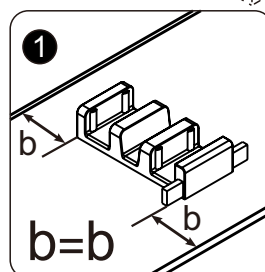
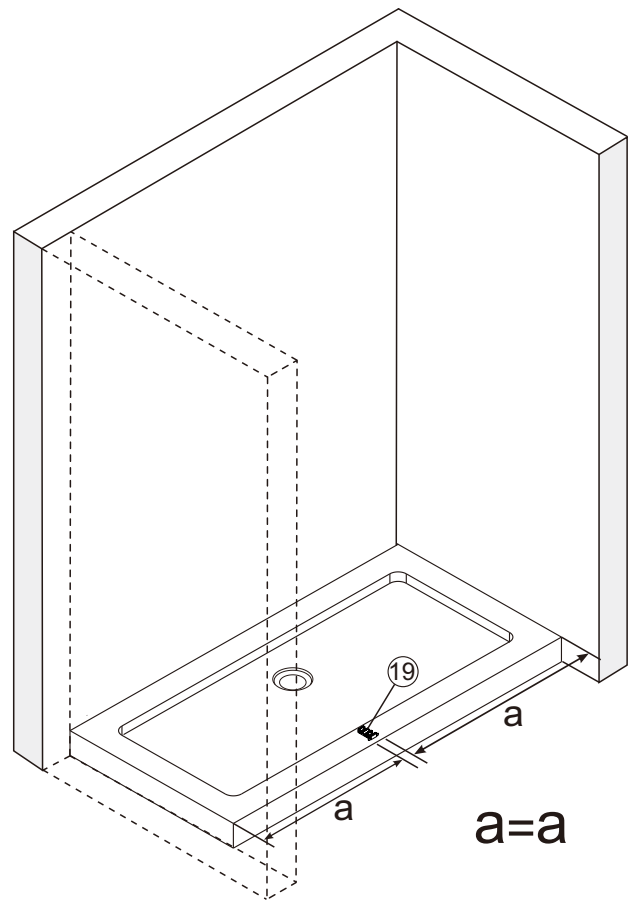
1. Install door guide(19) at the middle of tray.
 2. Draw the installation hole and position line of door guide(19).
 3. Drill hole with 1/4" drill bits.
 4. Fix door guide(19) on tray with screw 1 1/4"(8).
- Note: Shower or tub threshold needs to have a flat surface of 2 3/4".



Right Hand Assembly

STEP 2

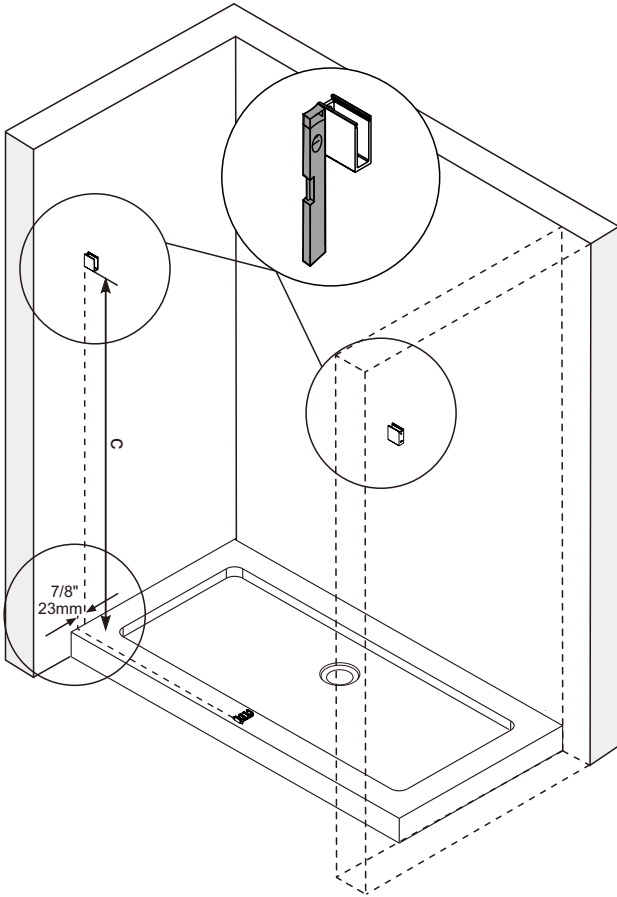
1. Install door guide(19) at the middle of tray.
 2. Draw the installation hole and position line of door guide(19).
 3. Drill hole with 1/4" drill bits.
 4. Fix door guide(19) on tray with screw 1 1/4"(8).
- Note: Shower or tub threshold needs to have a flat surface of 2 3/4".



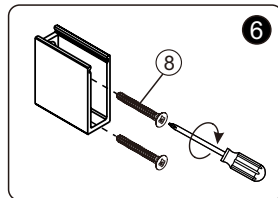
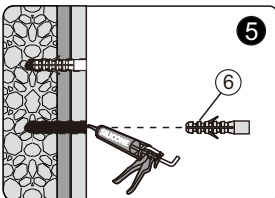
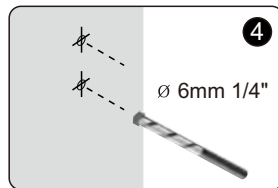
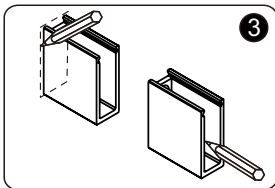
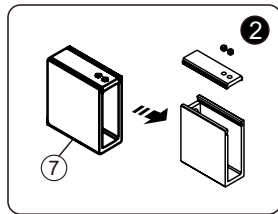
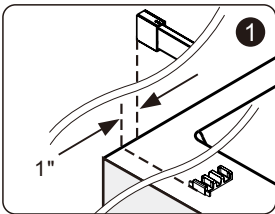
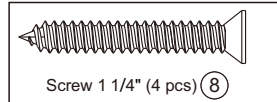
Left Hand Assembly

STEP 3

1. Outside distance between rail wall bracket kit(7) and door guide(19) should be 1".
2. Split parts of rail wall bracket kits(7).
3. Make sure the distance from bottom of rail wall bracket kits(7) to floor should be (product height-3 1/2"=c) shown as below. Then draw the installation position of rail wall bracket kits(8).
4. Drill hole with 1/4" drill bits.
5. Glue a little silicone into the hole, then insert wall anchor(6).
6. Fix rail wall bracket against the wall with screw 4x 1 1/4"(8).



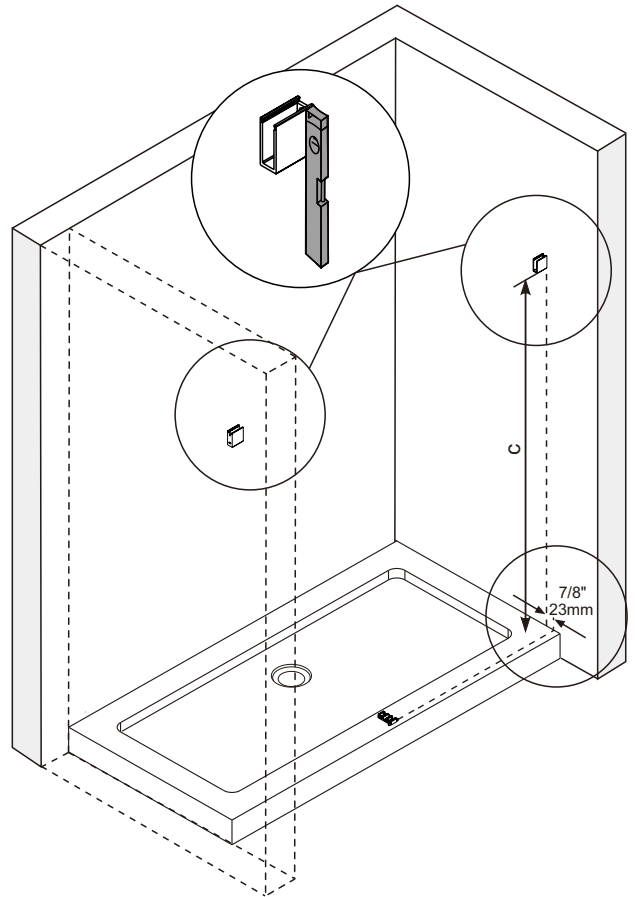
Product Height	Measurement C	
76"	1840mm	72 1/2"
63"	1510mm	59 1/2"



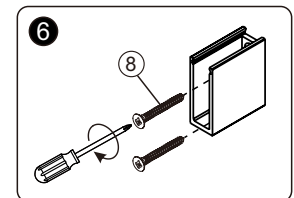
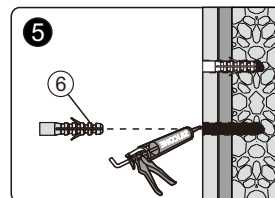
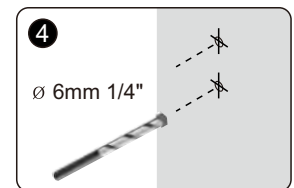
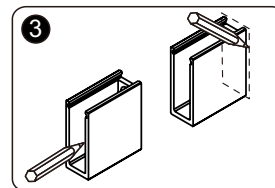
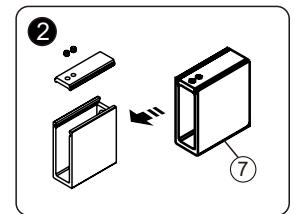
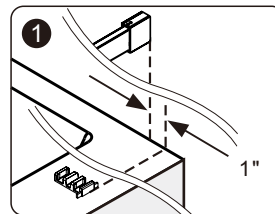
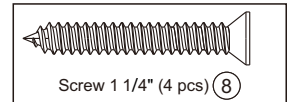
Right Hand Assembly

STEP 3

1. Outside distance between rail wall bracket kit(7) and door guide(19) should be 1".
2. Split parts of rail wall bracket kits(7).
3. Make sure the distance from bottom of rail wall bracket kits(7) to floor should be (product height-3 1/2"=c) shown as below. Then draw the installation position of rail wall bracket kits(8).
4. Drill hole with 1/4" drill bits.
5. Glue a little silicone into the hole, then insert wall anchor(6).
6. Fix rail wall bracket against the wall with screw 4x 1 1/4"(8).



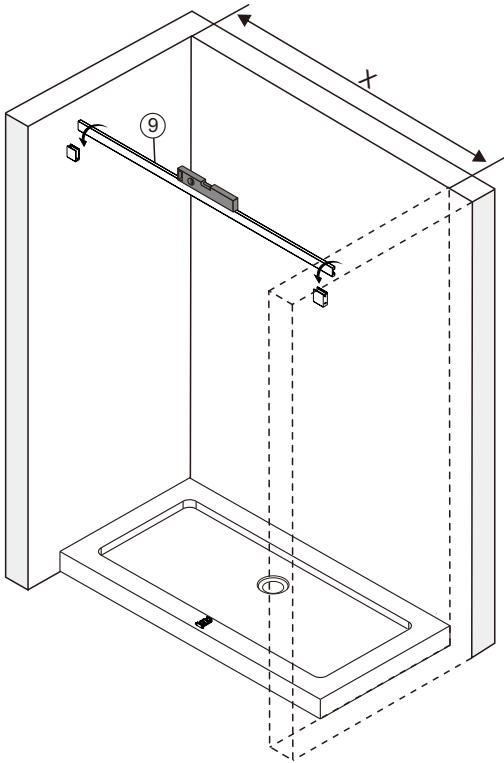
Product Height	Measurement C	
76"	1840mm	72 1/2"
63"	1510mm	59 1/2"



Left Hand Assembly

STEP 4

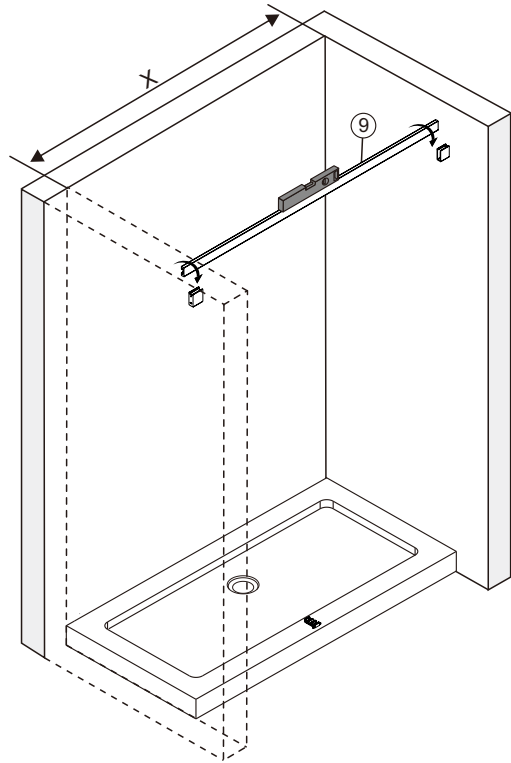
- Note: If installation dimension is between 43"-45 5/8"(1093-1158mm) OR 55"-57 1/2"(1397-1462mm) Please cut the top rail accordingly (9).
- Insert top rail(9) into rail wall bracket kits(7) (make the adjustment equally for both sides), then level top rail with level, and install rail wall bracket kits(7) last.
- Tighten with allen key(21).



Right Hhand Assembly

STEP 4

- Note: If installation dimension is between 43"-45 5/8"(1093-1158mm) OR 55"-57 1/2"(1397-1462mm) Please cut the top rail accordingly (9).
- Insert top rail(9) into rail wall bracket kits(7) (make the adjustment equally for both sides), then level top rail with level, and install rail wall bracket kits(7) last.
- Tighten with allen key(21).

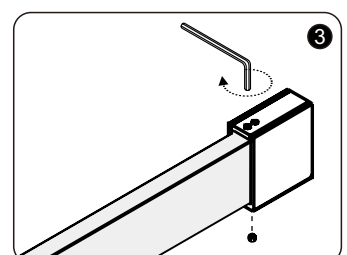
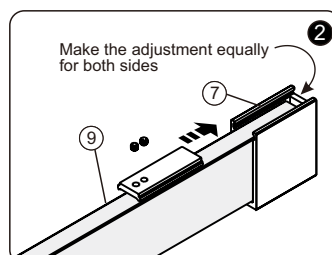
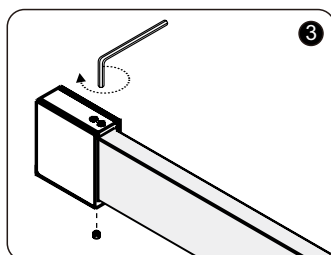
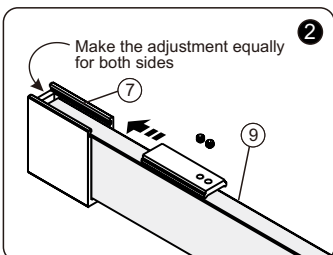


$X-3/4"$ (20mm)

STEP4	INSTALLATION DIMENSION
DO NOT CUT	45 5/8"-47"(1158-1194mm)
	57 1/2"-59"(1462-1498mm)
TO CUT	43"-45 5/8"(1093-1158mm)
	55"-57 1/2"(1397-1462mm)

$X-3/4"$ (20mm)

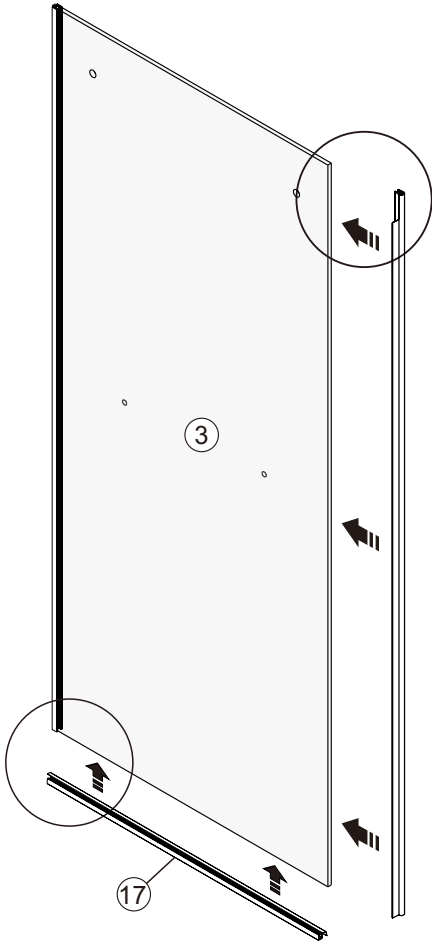
STEP4	INSTALLATION DIMENSION
DO NOT CUT	45 5/8"-47"(1158-1194mm)
	57 1/2"-59"(1462-1498mm)
TO CUT	43"-45 5/8"(1093-1158mm)
	55"-57 1/2"(1397-1462mm)



Left Hand Assembly

STEP 5

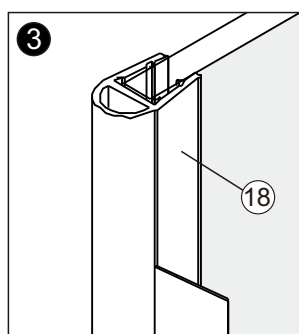
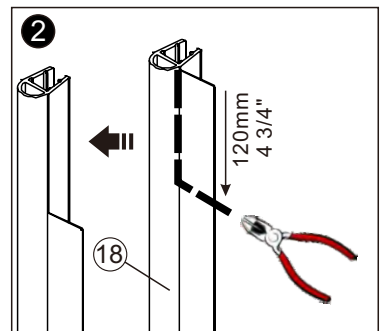
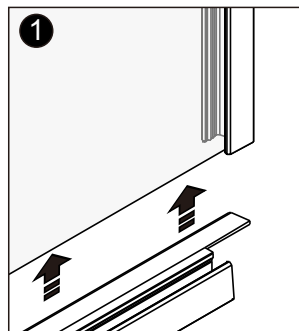
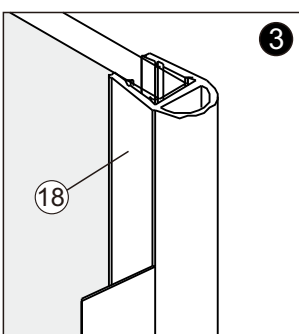
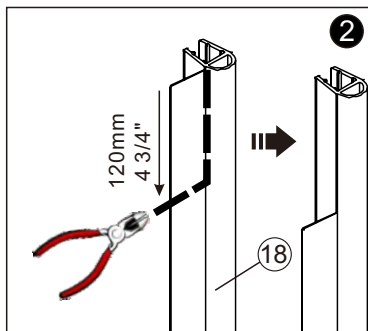
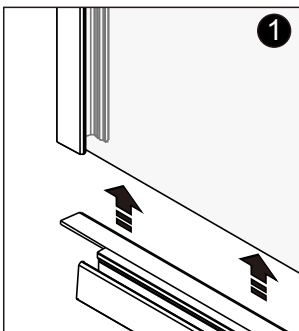
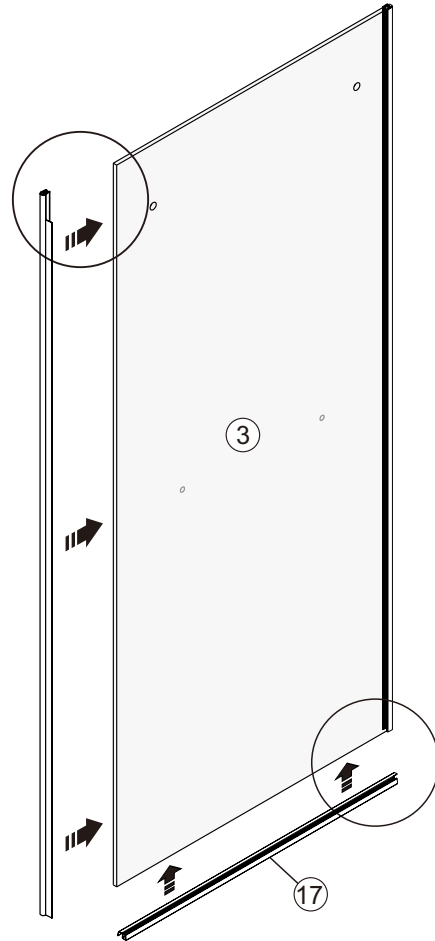
1. Install threshold gasket(17) at the bottom of inner door(13)
2. Cut water-retaining gasket(18) with 4 3/4" at the top part (see picture 2)
3. Install water-retaining gasket(18) on inner glass.



Right Hand Assembly

STEP 5

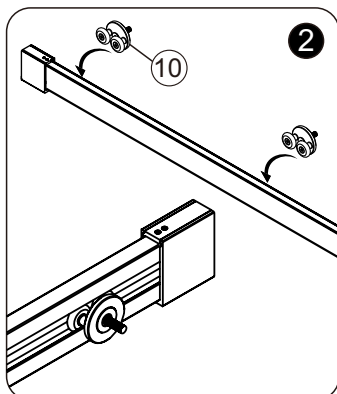
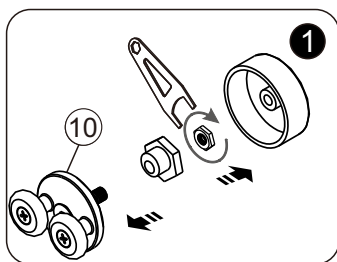
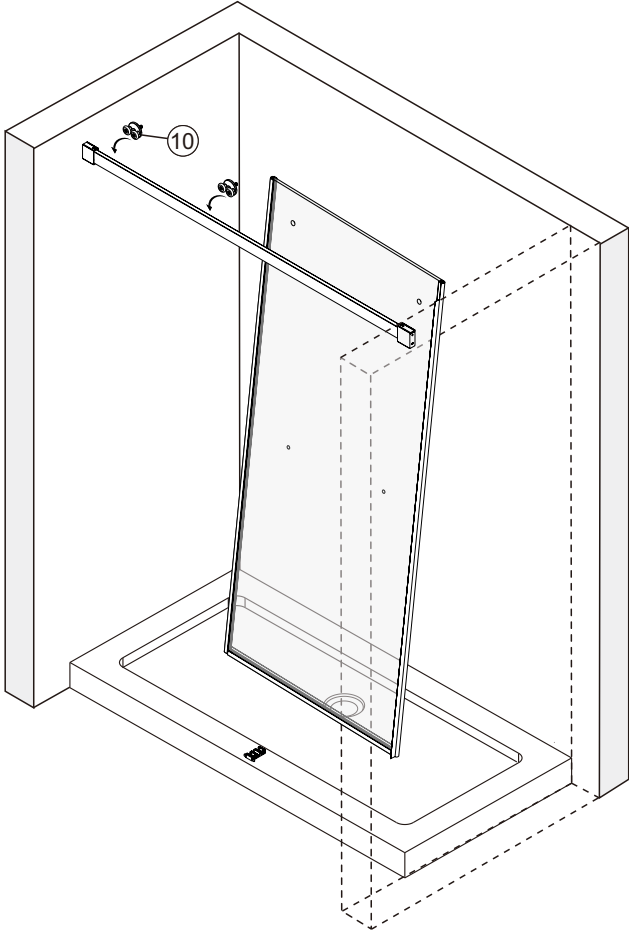
1. Install threshold gasket(17) at the bottom of inner door(13)
2. Cut water-retaining gasket(18) with 4 3/4" at the top part (see picture 2)
3. Install water-retaining gasket(18) on inner glass.



Left Hand Assembly

STEP 6

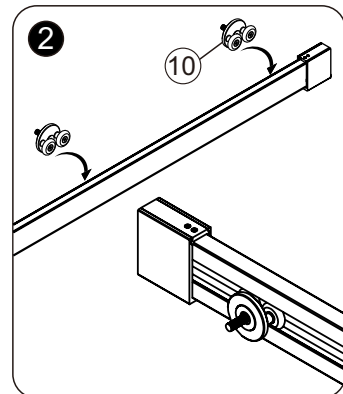
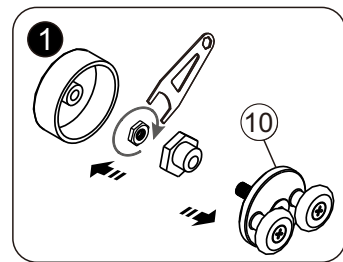
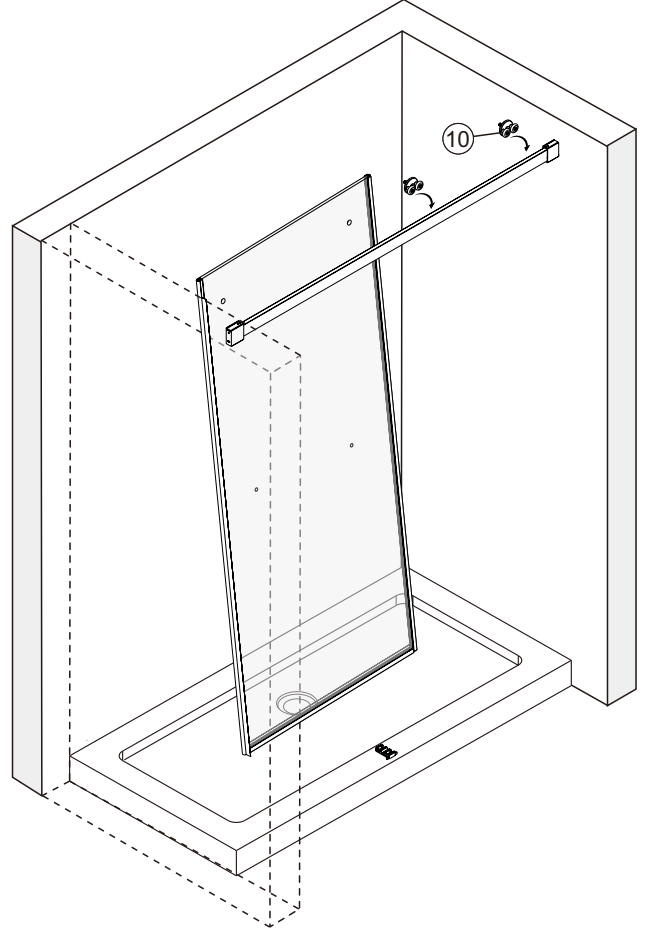
1. Disconnect double roller(10), then put it into the slot of top rail(9).



Right Hand Assembly

STEP 6

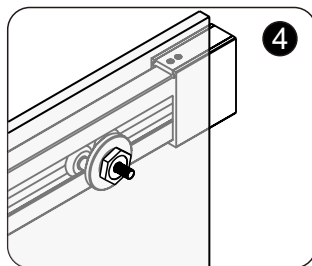
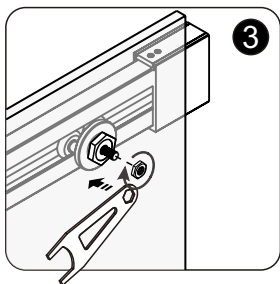
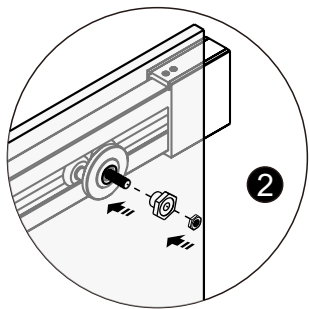
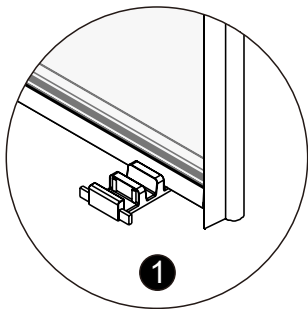
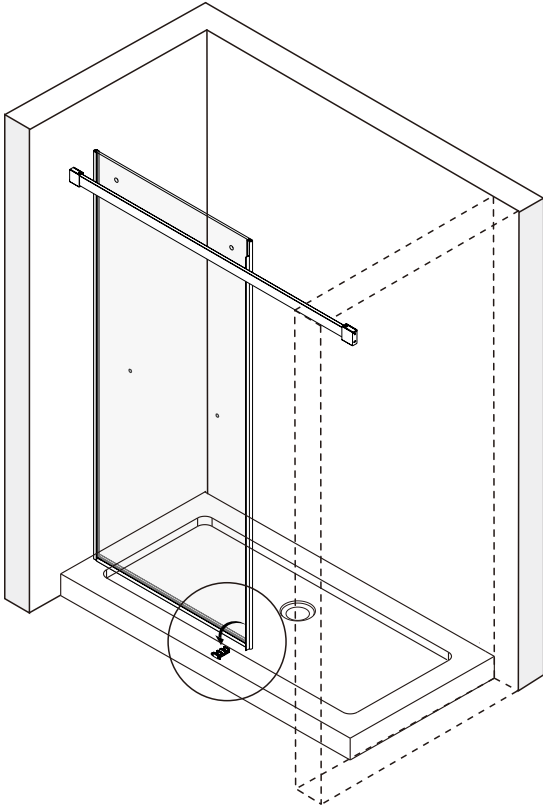
1. Disconnect double roller(10), then put it into the slot of top rail(9).



Left Hand Assembly

STEP 7

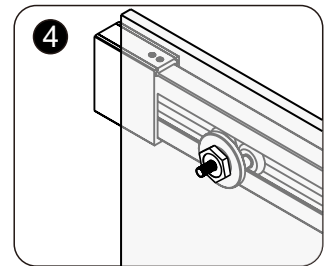
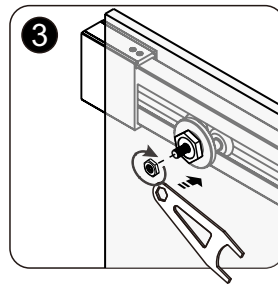
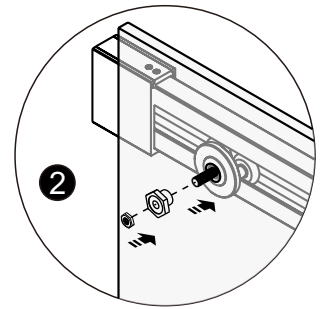
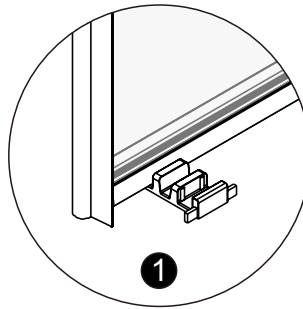
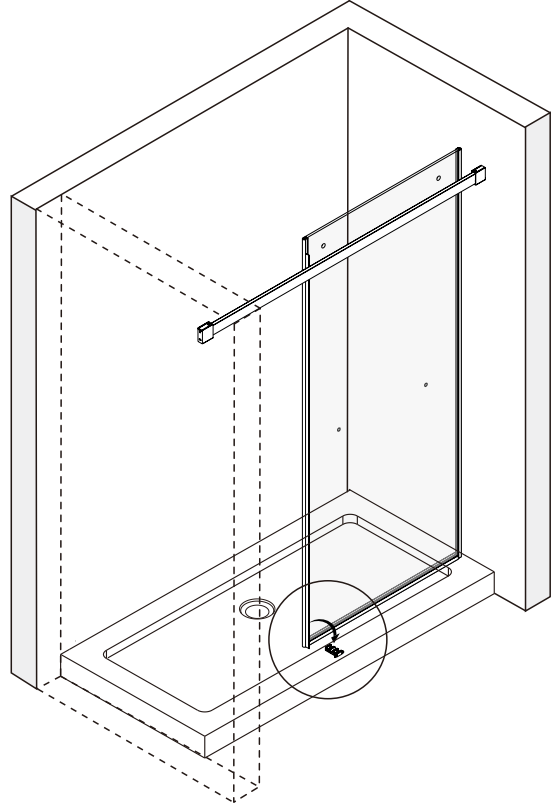
1. Insert inner door(13) onto the door guide(19) slot.
2. Install double roller(10) with the inner door panel(13) with spanner, tighten the hexagonal nut.



Right Hand Assembly

STEP 7

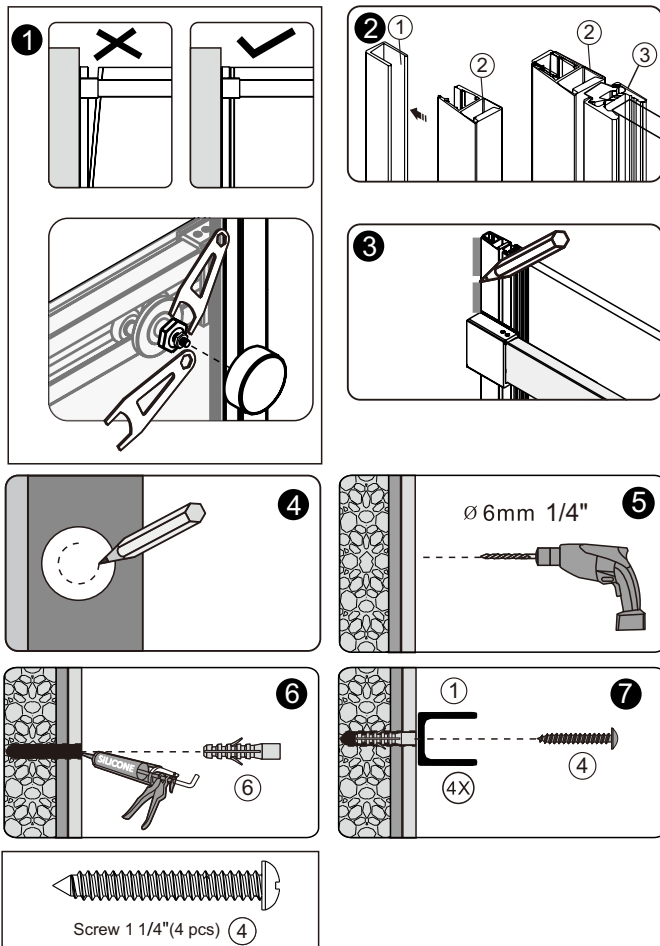
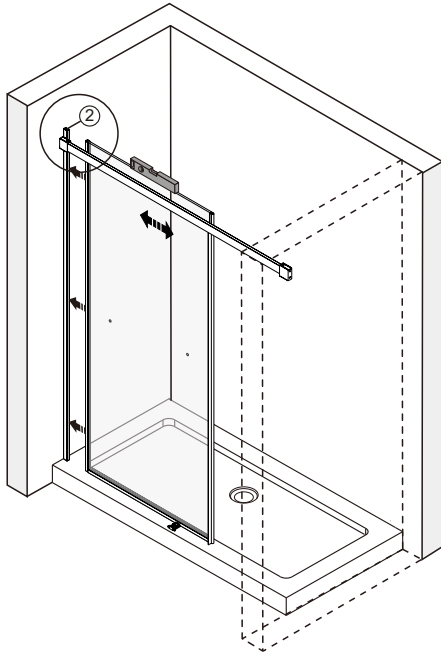
1. Insert inner door(13) onto the door guide(19) slot.
2. Install double roller(10) with the inner door panel(13) with spanner, tighten the hexagonal nut.



Left Hand Assembly

STEP 8

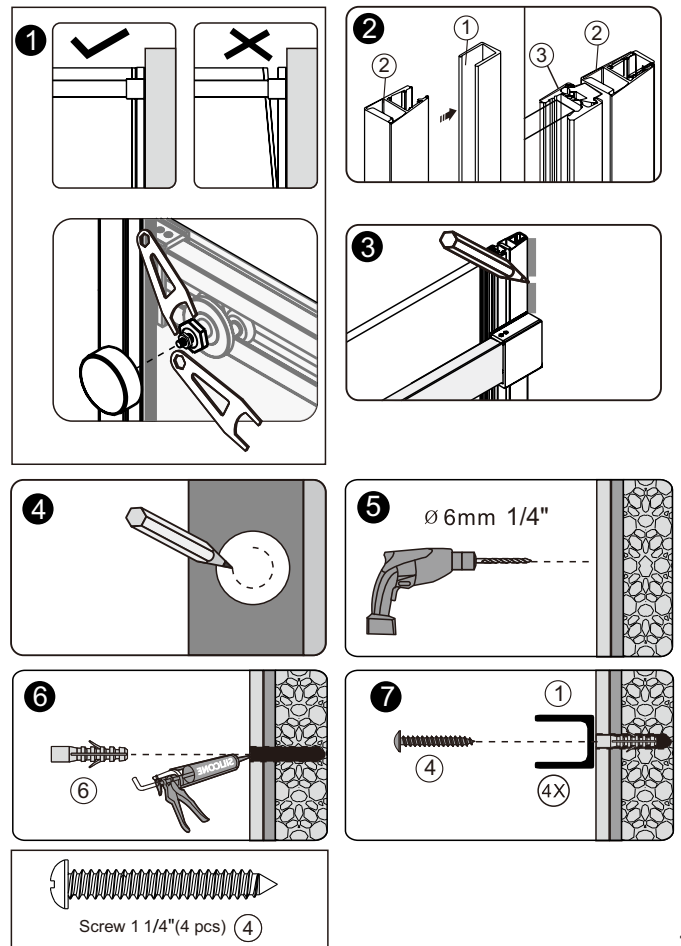
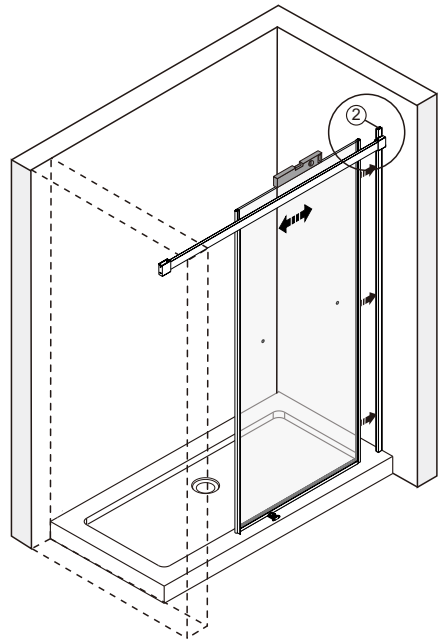
1. Make sure 180° magnet seal short(2) attracted each other, and adjust the roller if any gap.
2. Match both 180° magnet seal short(2) and outer door(3)
3. Mark the position of the magnetic aluminium(1) and drill hole on wall.
4. Put magnetic aluminium(1) at the position line and mark and drilling hole.
5. Draw hole with 1/4" drill bits.
6. Glue a little silicone into the hole, then insert wall anchor.
7. Fix magnetic aluminium against the wall with screw 1 1/4"(4).



Right Hand Assembly

STEP 8

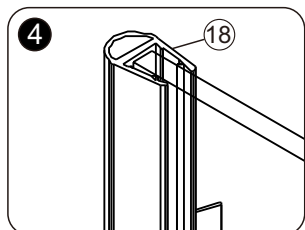
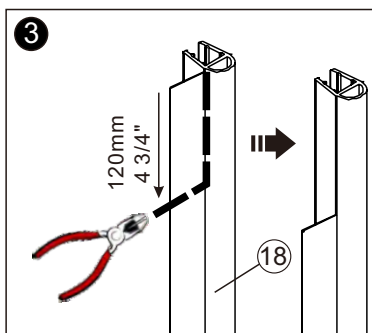
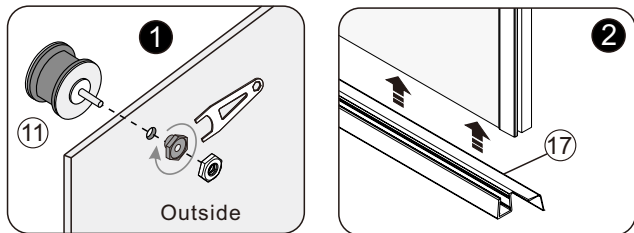
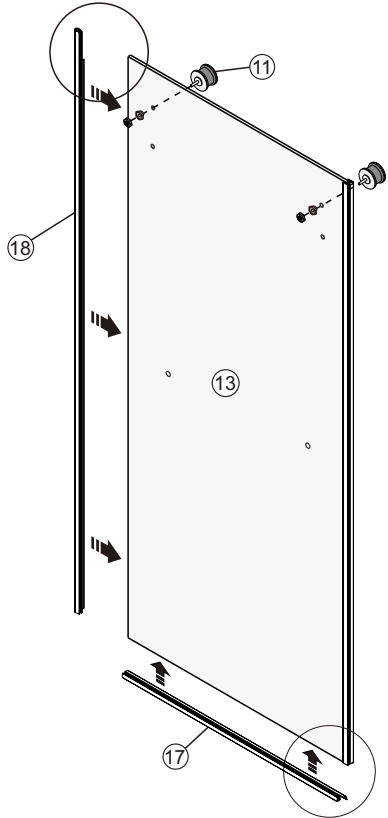
1. Make sure 180° magnet seal short(2) attracted each other, and adjust the roller if any gap.
2. Match both 180° magnet seal short(2) and outer door(3)
3. Mark the position of the magnetic aluminium(1) and drill hole on wall.
4. Put magnetic aluminium(1) at the position line and mark and drilling hole.
5. Draw hole with 1/4" drill bits.
6. Glue a little silicone into the hole, then insert wall anchor.
7. Fix magnetic aluminium against the wall with screw 1 1/4"(4).



Left Hand Assembly

STEP 9

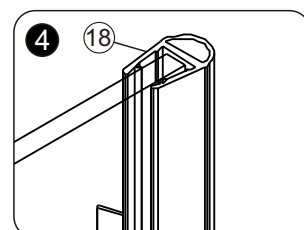
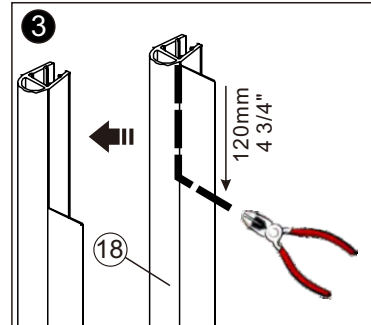
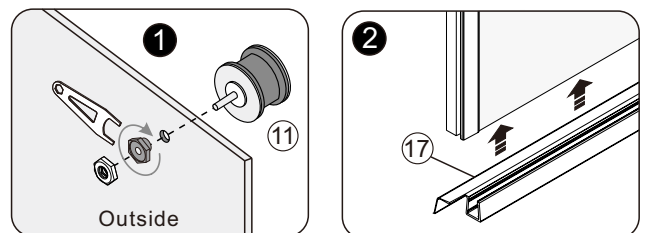
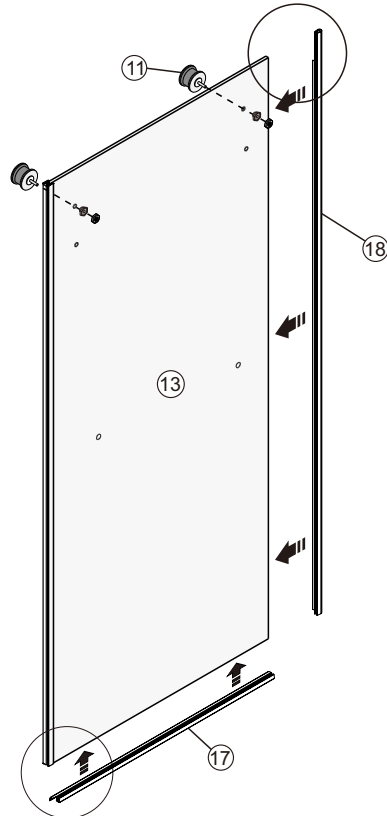
1. Install roller(11) on outer door(3), then tighten with spanner.
2. Install threshold gasket(17) at the bottom of outer door(3).
3. Cut water-retaining gasket(18) with 4 3/4"(120mm) at the top part (see picture 3).
4. Install water-retaining gasket(18) on outer glass(3).



Right Hand Assembly

STEP 9

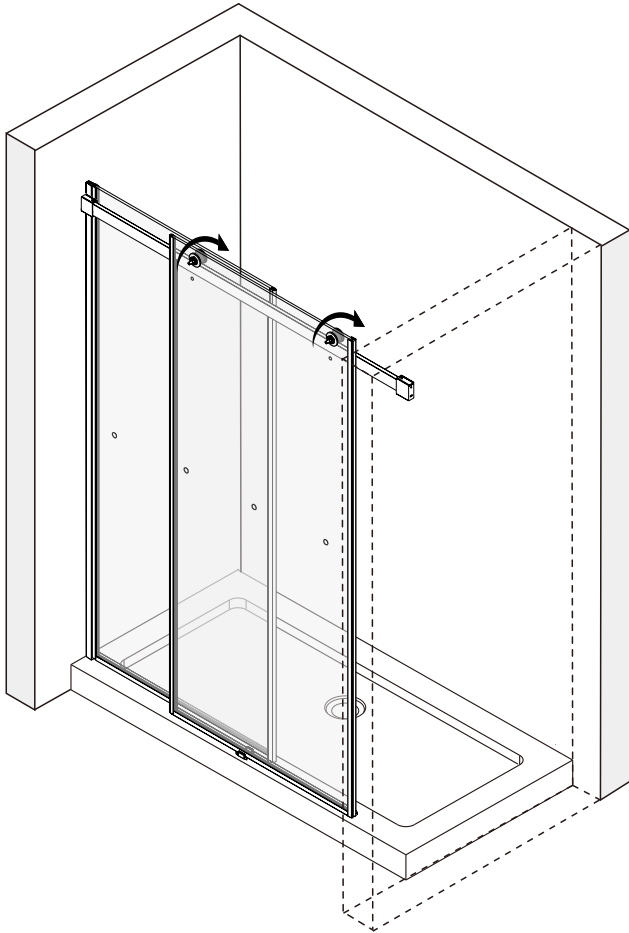
1. Install roller(11) on outer door(3), then tighten with spanner.
2. Install threshold gasket(17) at the bottom of outer door(3).
3. Cut water-retaining gasket(18) with 4 3/4"(120mm) at the top part (see picture 3).
4. Install water-retaining gasket(18) on outer glass(3).



Left Hand Assembly

STEP 10

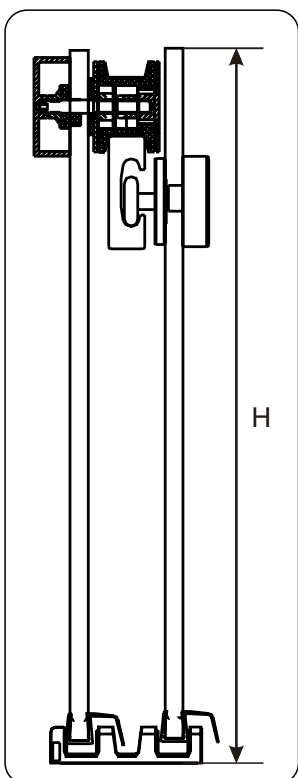
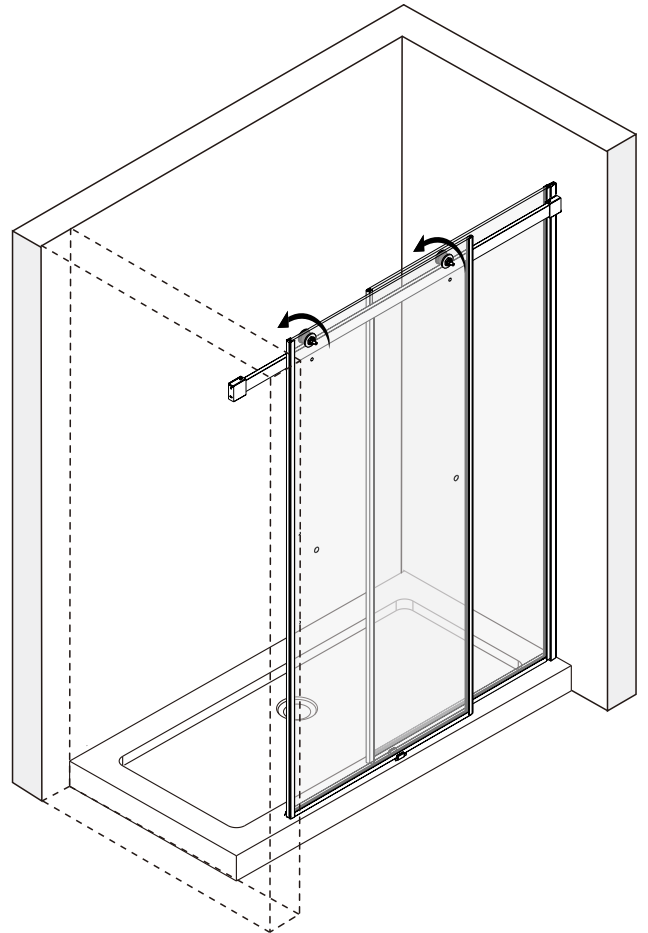
1. Put outer door(3) onto the top rail(9).



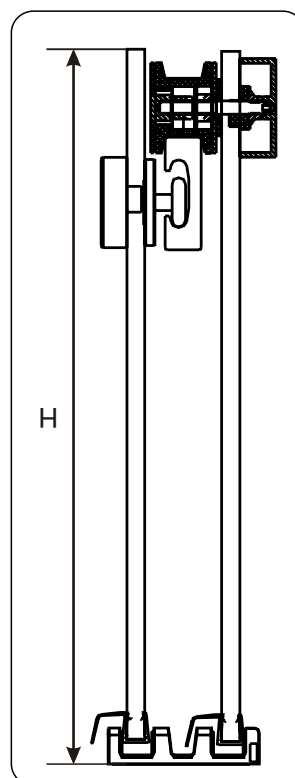
Right Hand Assembly

STEP 10

1. Put outer door(3) onto the top rail(9).



H = Product Height

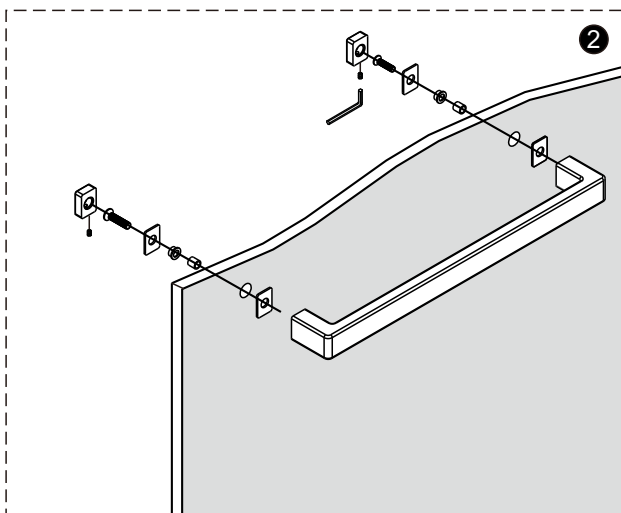
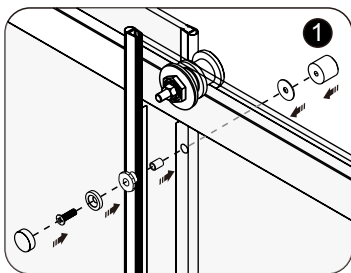
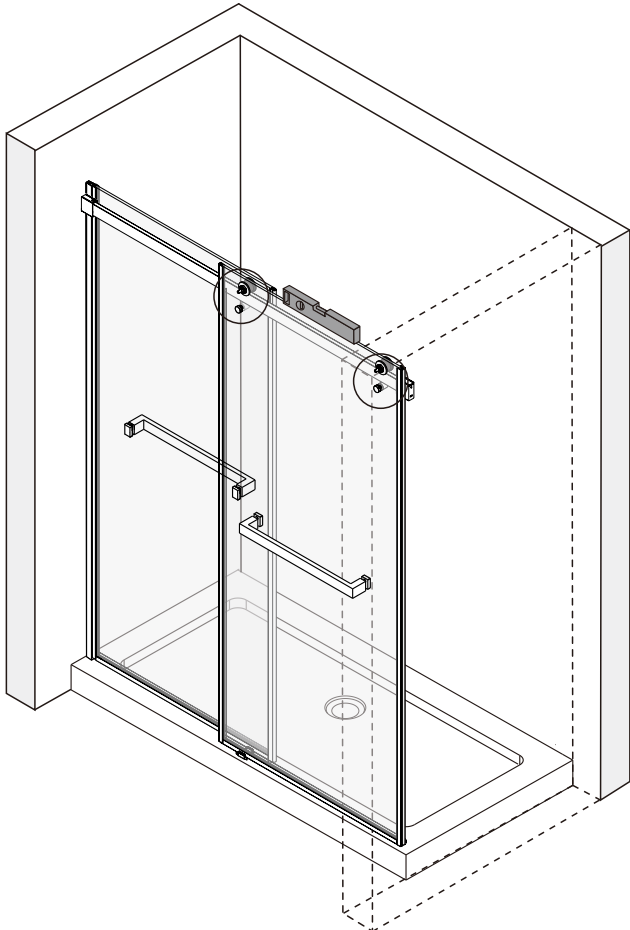


H = Product Height

Left Hand Assembly

STEP 11

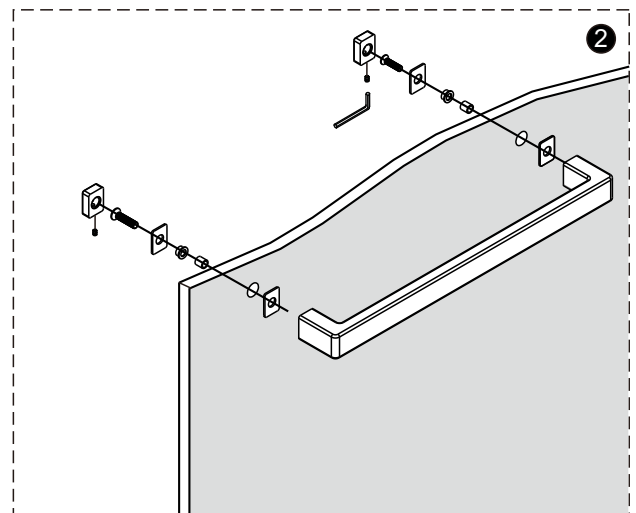
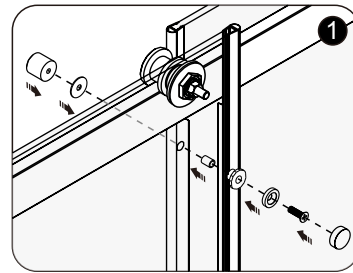
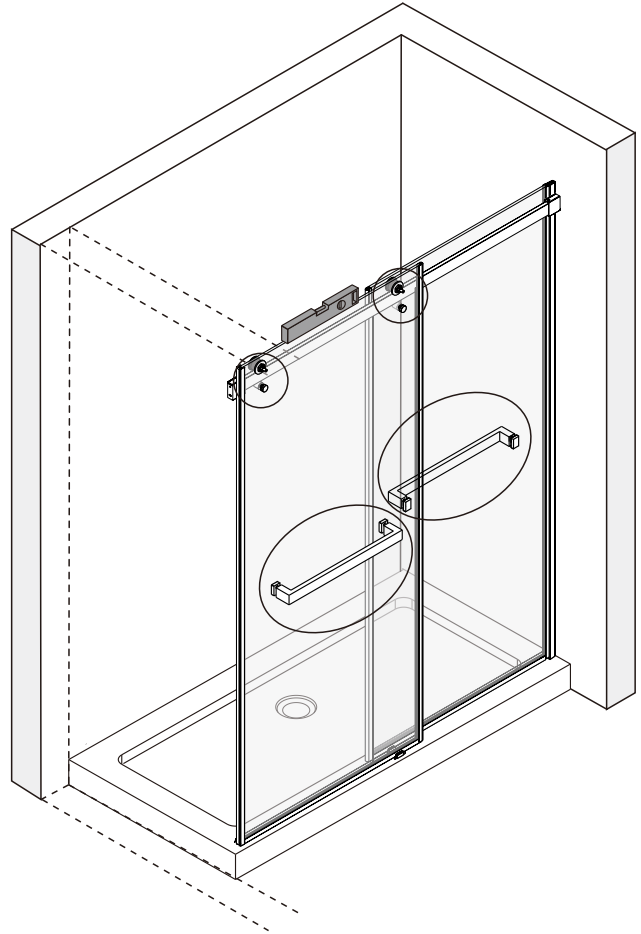
1. Put level at top of outer door(3) to make sure outer door(3) is leveled, then install anti-jumper on outer door(3).
2. Install handle(5) on outer door(3/13).



Right Hand Assembly

STEP 11

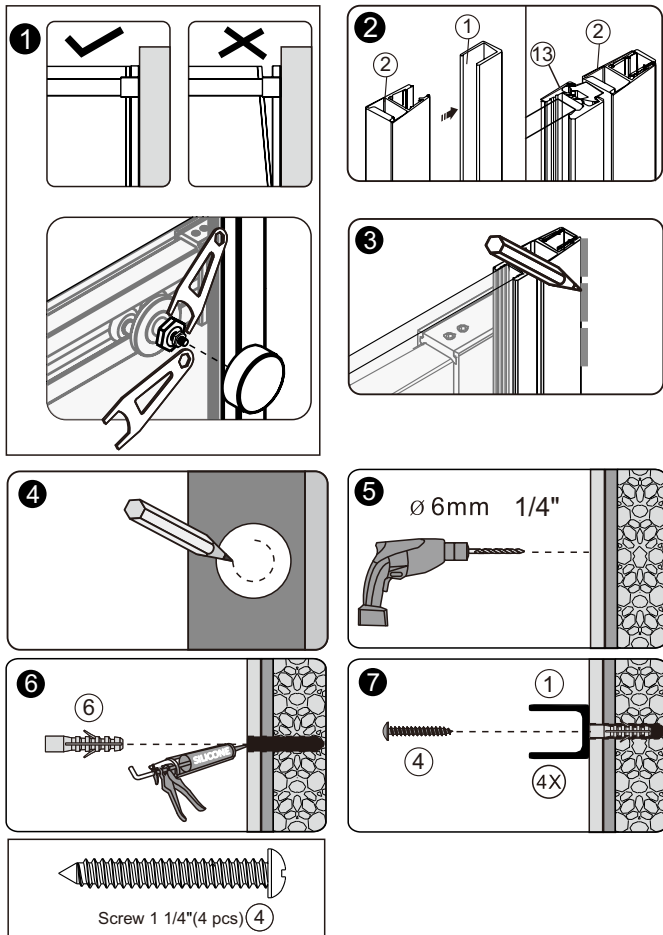
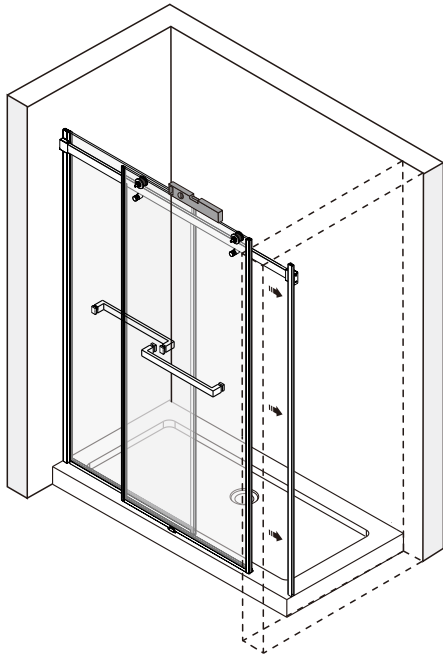
1. Put level at top of outer door(3) to make sure outer door(3) is leveled, then install anti-jumper on outer door(3).
2. Install handle(5) on outer door(3/13).



Left Hand Assembly

STEP 12

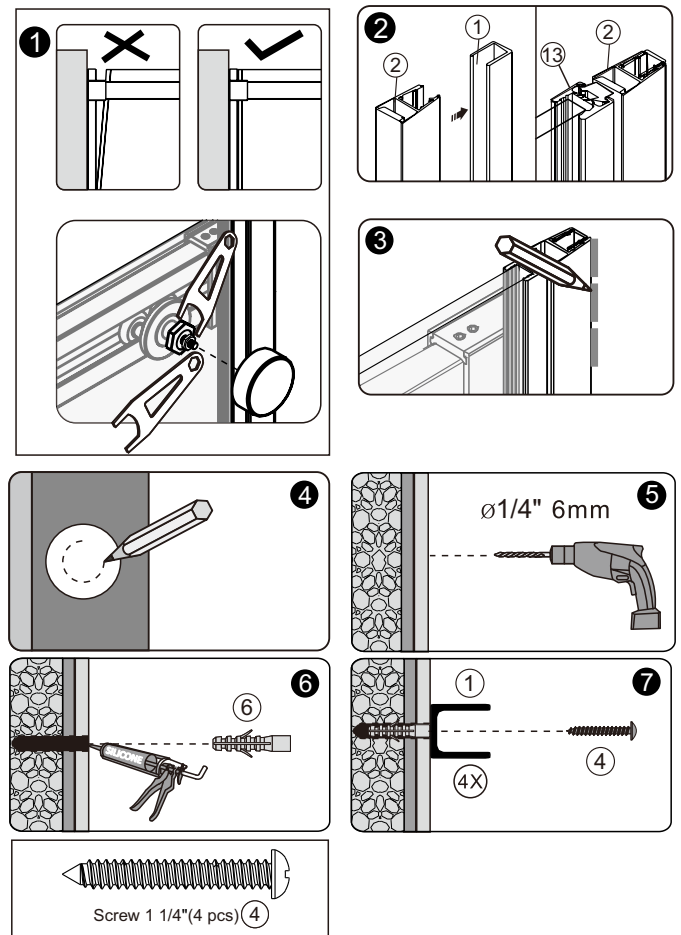
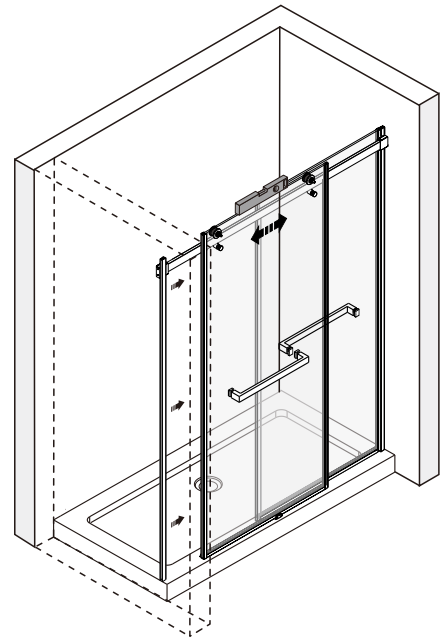
1. Make sure 180° magnet seal short(2) attracted each other, and adjust the roller if any gap.
2. Match both 180° magnet seal short(2) and Outer door(3)
3. Mark the position of the magnetic aluminium(1) and drill hole on wall.
4. Put magnetic aluminium(1) at the position line and mark and drilling hole.
5. Draw hole with 1/4" drill bits.
6. Glue a little silicone into the hole, then insert wall anchor.
7. Fix magnetic aluminium against the wall with screw 1 1/4"(4).



Right Hand Assembly

STEP 12

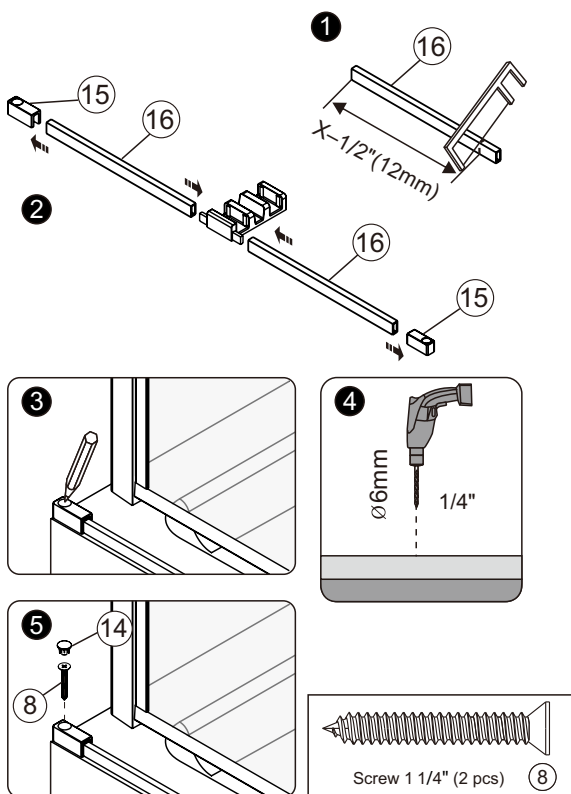
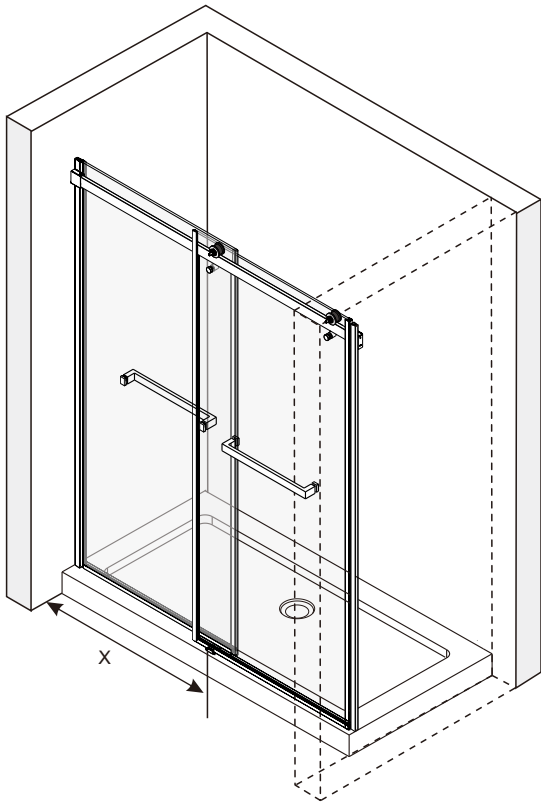
1. Make sure 180° magnet seal short(2) attracted each other, and adjust the roller if any gap.
2. Match both 180° magnet seal short(2) and Outer door(3)
3. Mark the position of the magnetic aluminium(1) and drill hole on wall.
4. Put magnetic aluminium(1) at the position line and mark and drilling hole.
5. Draw hole with 1/4" drill bits.
6. Glue a little silicone into the hole, then insert wall anchor.
7. Fix magnetic aluminium against the wall with screw 1 1/4"(4).



Left Hand Assembly

STEP 13

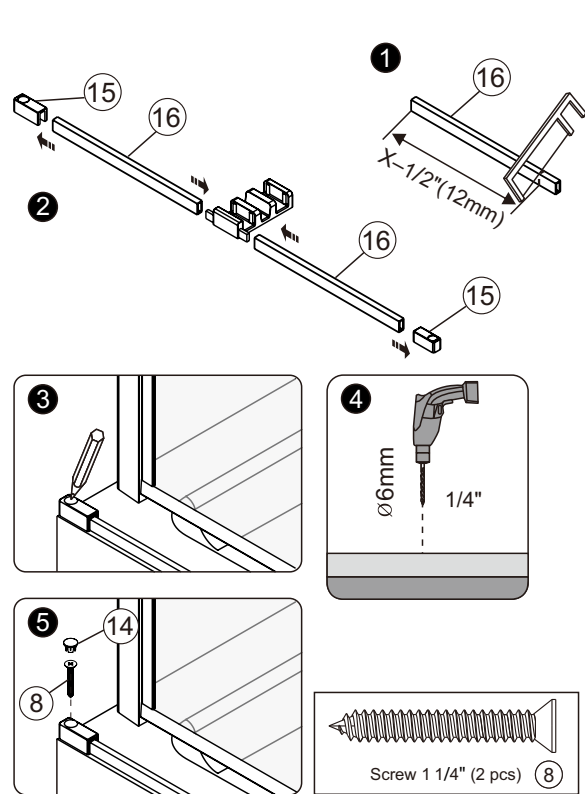
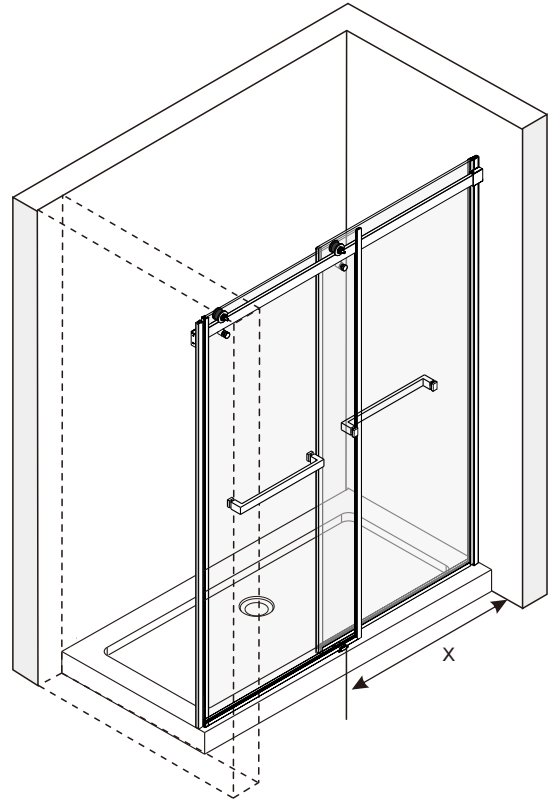
1. Write down distance from wall to water-retaining gasket(18), then cut threshold(16) with size "distance-1/2"(12mm)".
2. Install threshold(16) and threshold cover(15).
3. Mark a hole for the threshold cover (15) for installation with threshold cover drill bit.
4. Draw hole with 6mm drill bits.
5. Fix threshold cover(15) with screw 1 1/4" under the tray or groundmass.



Right Hand Assembly

STEP 13

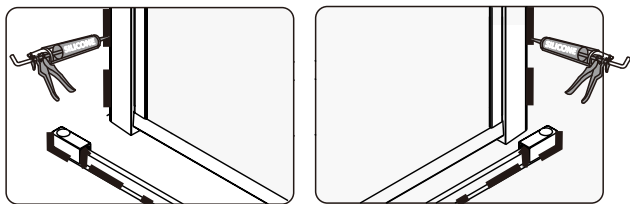
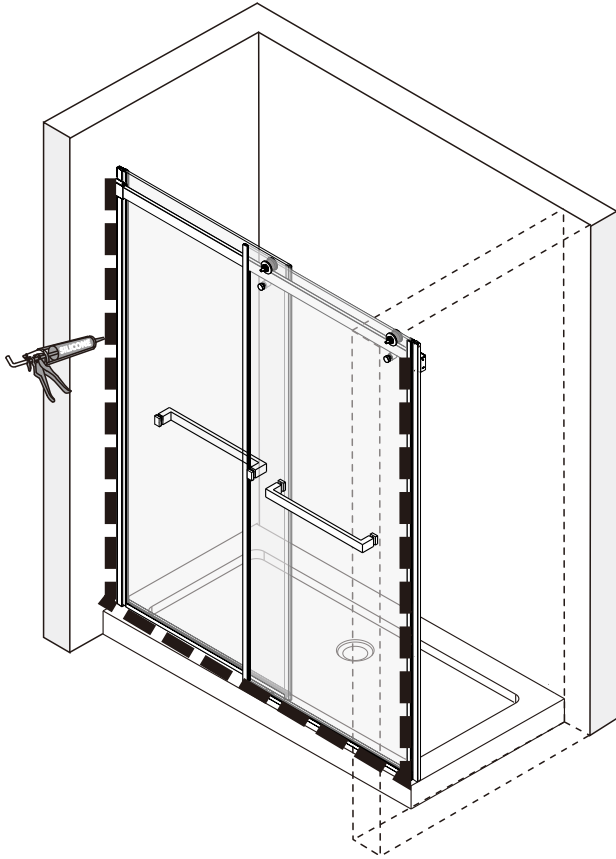
1. Write down distance from wall to water-retaining gasket(18), then cut threshold(16) with size "distance-1/2" (12mm)".
2. Install threshold(16) and threshold cover(15).
3. Mark a hole for the threshold cover (15) for installation with threshold cover drill bit.
4. Draw hole with 6mm drill bits.
5. Fix threshold cover(15) with screw 1 1/4" under the tray or groundmass.



Left Hand Assembly

STEP 14

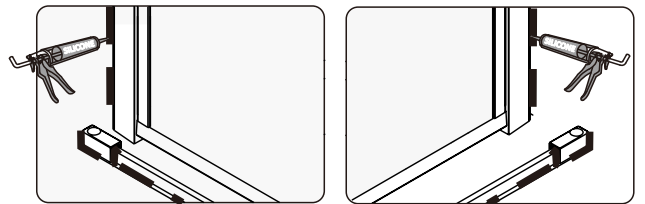
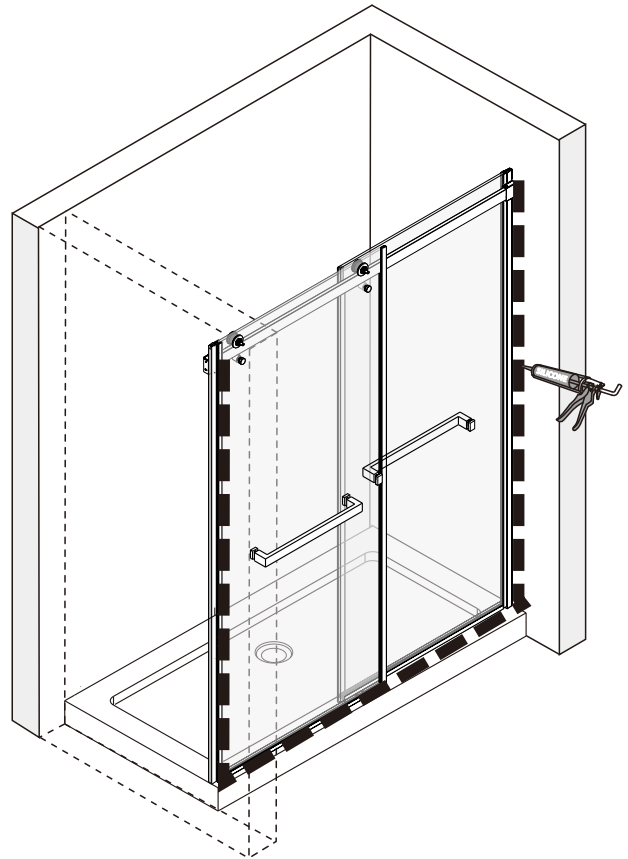
1. Caulking, and not allow to open & close the door within 24 hours.



Right Hand Assembly

STEP 14

1. Caulking, and not allow to open & close the door within 24 hours.



FINAL STEP: Caulk the inside sides of the shower door frame to seal. Keep the entire area dry for a minimum of 24 hours.