

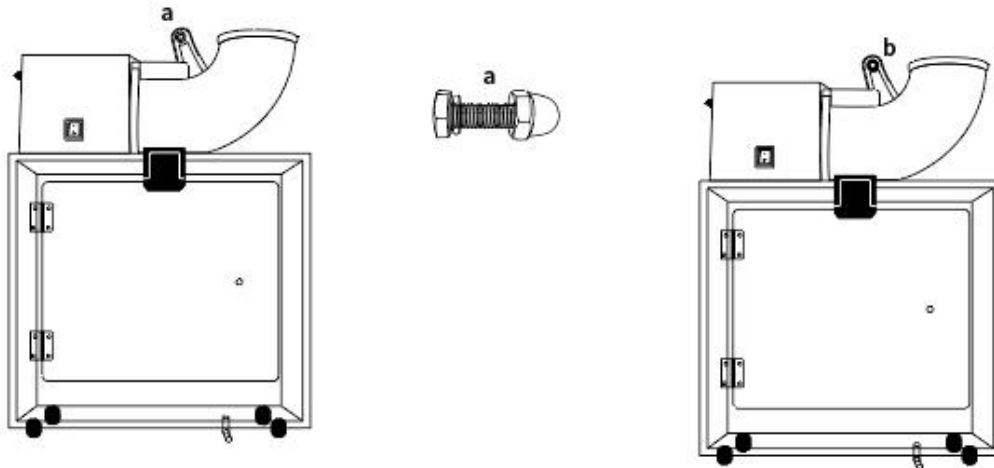
STAINLESS STEEL ICE CRUSHER



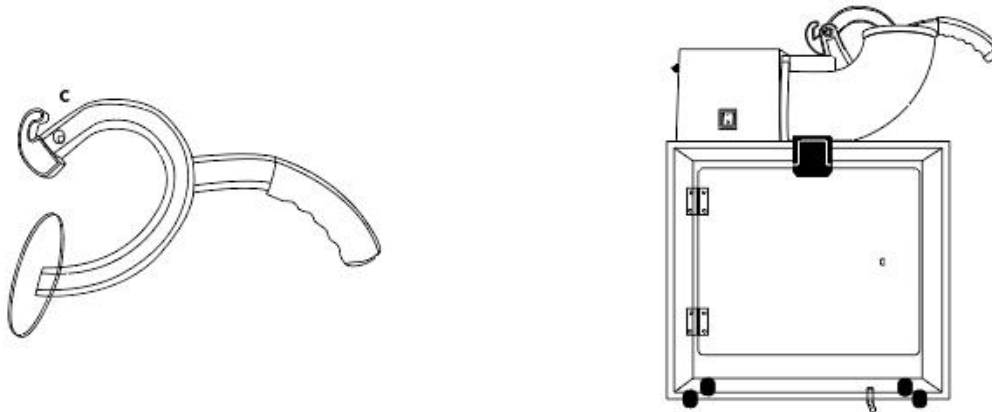
Owner's Manual

Handle Installation Diagram (for reference the upper part only)

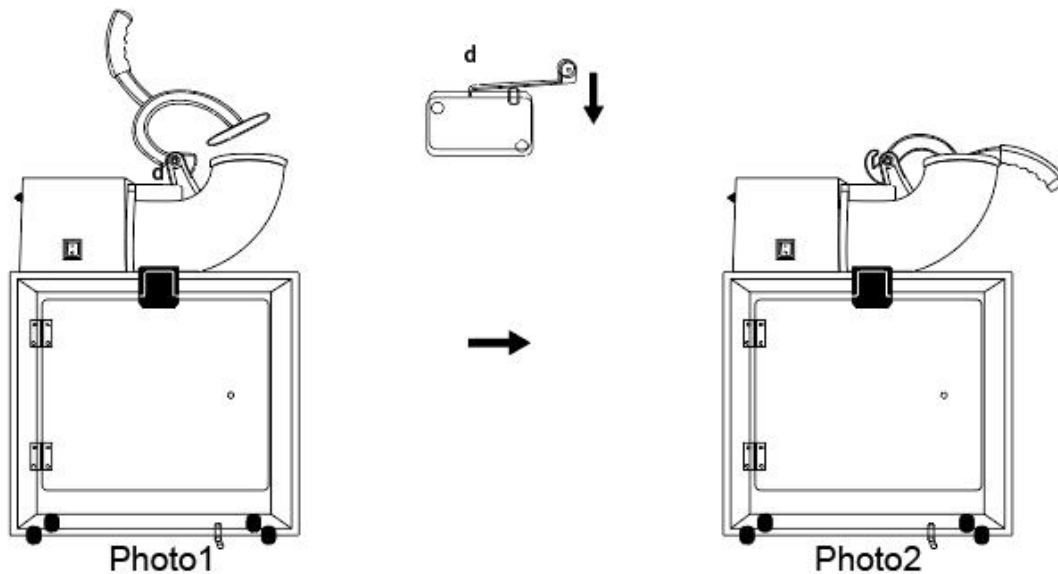
1. Take out screw(a) from part(b)



2. Take out the handle(c) load in part(b) and tighten the screw(a)



3. There are limited switch in part(d), limited switch will be contacted when the handle(c) press down(photo 2), when handle goes up(photo 1), machine will stop working



1. Operation

1. Place the machine on a flat surface where it cannot be tipped or pushed off the counter.
2. Pick up the handle. Plug into electricity and start the machine by turning on the On/Off switch to the on position.
3. Insert the ice, push lever down without forcing. **NOTE:** Quantity of ice in the drum cart cannot exceed the level of the smash drum.
Warning: the blade is sharp, do not touch
4. Repeat the above as many times as necessary until have desired amount of shaved ice.
5. After use, stop the machine by turning the On/Off switch to the off position.

2. Clean & maintenance

Please clean your unit after each use to prolong service life and appearance.

1. Allow machine to cool before cleaning.
2. Unplug your Ice Crusher Machine.
3. Remove cord from socket and never immerse plug or controls in water or any other liquid.
4. Do not use solvents or chemicals to clean machine.
5. Use a damp cloth to wipe down all interior and exterior surfaces.
6. Dry thoroughly after cleaning.

3. Caution

- Visually inspect the ice chopper for presence of foreign objects before using and while the machine is unplugged, and the power switch is off.
- Never use if the power cord is damaged.
- The appliance must be unplugged before cleaning.
- Only use on a flat surface.
- DO NOT make any alternations to your machine. Altering your machine will void your warranty and could result in serious injury.
- DO NOT immerse any part of your machine in water. Immersion may result in damage to the machine.
- DO NOT allow untrained personnel, the public, and especially children to operate or have direct, physical contact with the machine.
- NEVER put objects (knives, utensils, picks) near or into the shaver assembly while machine is in use. Keep body parts well away when machine is in operation. FAILURE TO FOLLOW THESE WARNINGS COULD RESULT IN SERIOUS INJURY.
- Great Northern Popcorn Company will not be responsible for injury that occurs as a result of failure to follow these precautions.

- DO NOT operate when under the influence of drugs or alcohol.
- Do not use an extension cord with this machine.
- The blade is sharp, do not place hands in or near while the motor is running.
- Keep water and other liquids from entering the inside of the mechanical and electrical components.
- Avoid contacting moving parts. Never place fingers or other utensils into feed or discharge areas.
- Close supervision is necessary when any appliance is used by or near children.
- This machine must not be operated by anyone under the age of 18.
- Household use only; Do Not Use Outdoors.
- Do not let cord hang over edge of table or counter or touch hot surfaces.
- Do not use appliance for other than intended use.

NOTE: To improve our product continuously, the factory holds the right of change above technical parameter without notice.

4. Technical parameter

Voltage:110V	Input:250W
Frequency:60Hz	Own Weight:17.64lbs
Device size:19.7''L x 9.8''W x 27.2''H	Speed:1400r/min
Packing size:17.7''L x 12.6''W x 18.1''H	Quantity of smash ice:440lbs/hr

CUSTOMER SERVICE

Contact us through our website: www.TeamCustomerService.com

If you have any question about assembly, use or possible missing part, please contact us and we will be glad to assist you.

IMPORTANT SAFEGUARDS

When using electrical appliances, basic safety precautions should always be followed including the following:

- 1) Read all instructions.
- 2) Portable – To protect against risk of electrical shock do not put (state specific part or parts in question) in water or other liquid.
- 3) This appliance is not intended for use by persons (including children) with reduced physical, sensory, or mental capabilities, or lack of experience and knowledge, unless they are closely supervised and instructed concerning use of the appliance by a person responsible for their safety. Close supervision is necessary when any appliance is used by or near children. Children should be supervised to ensure that they do not play with the appliance.
- 4) Portable – Turn the appliance OFF, then unplug from the outlet when not in use, before assembling or disassembling parts and before cleaning. To unplug, grasp the plug and pull from the outlet. Never pull from the power cord. Permanently Installed – Make sure appliance is OFF when not in use, before putting on or taking off parts, and before cleaning.
- 5) Avoid contacting moving parts. Do not attempt to defeat any safety interlock mechanisms. (The second sentence may be omitted if the appliance does not have any interlocks.)
- 6) Portable – Do not operate any appliance with a damaged cord or plug or after the appliance malfunctions, or is dropped or damaged in any manner. Contact the manufacturer at their customer service telephone number for information on examination, repair, or adjustment. (Domestic customer service telephone number must be stated in the instruction manual, literature contained within the product's packaging or permanently marked on the appliance).
- 7) The use of attachments not recommended or sold by the manufacturer may cause fire, electric shock or injury.
- 8) Do not use outdoors (this may be omitted if it is specially designed for outdoor use).
- 9) Portable – Do not let cord hang over edge of table or counter.
- 10) Do not attempt to defeat the interlock.
- 11) Blade and needles are sharp. Handle care fully.
- 12) Always operate the appliance with protective cover in place. Never try to render the interlock switch non-operative.
- 13) Tightly fixed the Cylinder Protective Cover on the machine before use.

SAVE THESE INSTRUCTIONS